

**Owner's Manual**  
**Instrukcja obsługi**  
**Návod k použití**  
**Navodila za uporabo**  
**Használati útmutató**  
**Upute za upotrebu**  
**Lietošanas instrukcija**

**Instrucțiune de deservire**  
**Инструкция за употреба**  
**Οδηγίες χρήσης**  
**Kasutusjuhend**  
**Naudojimo instrukcijos**  
**Uživatēliskā príručka**



***Enjoy it.***

Multi-functional Weather station



**Important Notes**

- safety and operating instruction should be retained for future reference.
- The apparatus should not be exposed to dripping or splashing or placed in a humid atmosphere such as a bathroom.
- Do not install the product in the following areas:
- Places exposed to direct sunlight or close to radiators.
- On top of other stereo equipment that radiate too much heat.
- Blocking ventilation or in a dusty area.
- Areas where there is constant vibration.
- Humid or moist places.
- Do not place near candles or other naked flames.
- Operate the product only as instructed in this manual.
- Before turning on the power for the first time, make sure the power adaptor is properly connected.

For safety reasons, do not remove any covers or attempt to gain access to the inside of the product. Refer any servicing to qualified personnel.

Do not attempt to remove any screws, or open the casing of the unit; there are no user serviceable parts inside. Refer all servicing to qualified service personnel.

**SAFETY INSTRUCTIONS**

1. Read Instructions - All the safety and operating instructions must be read before the product is operated.
2. Retain Instructions - The safety and operating instructions should be kept with the product for future reference.
3. Heed warnings - All warnings on the product and in the operating instructions should be adhered to.
4. Follow instructions - All operating and users' instructions should be followed.
5. Installation - Install in accordance with the manufacturer's instructions.
6. Power sources - This product should be operated only from the type of power source indicated by the marking adjacent to the power cord entry. If you are not sure of the type of power supply to your home, consult your product dealer or local power company.
7. Water and moisture - To reduce the risk of fire or electric shock, do not expose the product to rain, dripping, splashing or excessive moisture such as in a sauna or bathroom. Do not use this product near water, for example, near a bathtub, washbowl, kitchen sink, laundry tub, in a wet basement or near a swimming pool (or similar).
8. Object and Liquid Entry - Never push objects of any kind into this product through openings, as they may touch dangerous voltage points or short-circuit parts that could result in a fire or electric shock. Never spill liquid of any kind on the product. Do not place any object containing liquid on top of the product.
9. Servicing - Do not attempt to service this product yourself, as opening or removing covers may expose you to dangerous voltage or other hazards. Refer all servicing to qualified service personnel.
10. Replacement parts - When replacement parts are required, ensure that the service technician has used replacement parts specified by the manufacturer or have the same characteristics as the original part. Unauthorized substitutions may result in fire, electric shock or other hazards.
11. The highest environmental temperature suitable for this product is 35°C.
12. ESD hints - If the product maybe reset or not reset to operation of control due to electrostatic discharge, just switch off and reconnect again, or move the product to another location.
13. Battery

- a. The batteries must not be exposed to excessive heat such as sunshine, fire or the like.
- b. The batteries should be drawn to the environmental aspects of battery disposal.
- c. Battery usage CAUTION-to prevent battery leakage which may result in body injuries, property damage, or damage to the apparatus:
  - . Install all batteries correctly, + and – as marked on the apparatus.
  - . Do not mix batteries (old and new or carbon and alkaline, etc.)
  - . Remove batteries when the unit is not used for a long time.

**ERP2 (Energy Related Products) note**

This product with ecodesign complies with the stage 2 requirements of Commission Regulation (EC) NO. 1275/2008 implementing Directive 2009/125/EC regard to standby and off mode electric power consumption of electronic household and office equipment.

**WARNING**

This appliance is not intended for use by persons (including children) with reduced physical sensory or mental capabilities, or lack of experience and knowledge, unless they have been given supervision or instruction concerning use of the appliance by a person responsible for their safety. Children should be supervised to ensure that they do not play with the appliance. 1. Never use the device unsupervised! Switch off the device whenever you are not using it, even if this only for a short while.

2. The appliance is not intended to be operated by means of an external timer or separate remote control system.

3. If the supply cord is damaged, it must be replaced by the manufacturer, its service agent or similarly qualified persons in order to avoid a hazard.

4. Before operating this system, check the voltage of this system to see if it is identical to the voltage of your local power supply.

5. To prevent fire or shock hazard, do not expose this equipment to hot places, rain, moisture or dust.

6. Do not place this unit close to a strong magnetic field.

7. Do not place the unit on a amplifier or receiver.

8. Do not place this unit in a damp area as the moisture will affect the life of electric components.

9. If the system is brought directly from a cold to a warm location, or is placed in a very damp room, moisture may condense on the lens inside the player. If this occurs, the system will not operate properly. Please leave the system turned on for about an hour until the moisture evaporates.

10. Do not attempt to clean the unit with chemical solvents as this might damage the finish. Wipe with a clean, dry or slightly damp cloth.

**NOTICE**

Conformity

Hereby, Blaupunkt Competence Center 2N-Everpol Sp. z o.o., declares that this equipment is in compliance with the essential requirement and other relevant provisions of Directive 2014/53/EU. Declaration of conformity can be obtained from the product page at [www.blaupunkt.com](http://www.blaupunkt.com).

Responsible party: 2N-Everpol Sp. z o.o., Puławska 403A, 02-801 Warsaw, Poland, Phone: +48 22 688 08 00, E-mail: [info@everpol.pl](mailto:info@everpol.pl)



Your products is designed a manufactured with high quality materials and components, which can be recycled and reused.



When this crossed-out wheeled bin symbol is attached to a product it means that the product is covered by the European Directive 2012/19/EU. Please inform yourself about the local separate collection system for electrical and electronic products. Please act according to your local rules and do not dispose of your old products with your normal household waste. Correct disposal of your old product helps to prevent potential negative consequences for the environment and human health.



Your product contains batteries covered by the European Directive 2006/66/EC, which cannot be disposed with normal household waste. Please inform yourself about the local rules on separate collection of batteries because correct disposal helps to prevent negative consequences for the environmental and human health.

### Environmental information

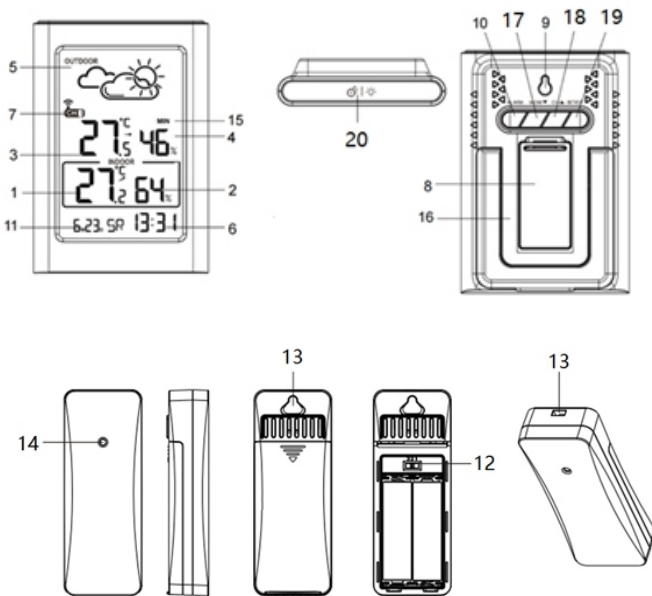
All unnecessary packaging has been omitted. We have tried to make the packaging easy to separate into three materials: cardboard (box), polystyrene foam (buffer) and poly ethylene (bags, protective foam sheet). Your system consists of material which can be recycled and reused if disassembled by a specialized company. Please observe the local regulations regarding the disposal of packaging materials, exhausted batteries and old equipment. Recording and playback of material might require consent. See Copyright Act 1956 and The Performer's Protection Acts 1958 to 1972.

Many thanks purchase our model, this weather station product includes below features. Please read and reference this manual carefully before operate the unit. Please keep the manual for future operation reference.

### Features

- Weather forecast: Sunny, Partly cloudy, Cloudy, Rainy, Snowy.
- Indoor/outdoor temperature.
- Indoor & outdoor humidity.
- In/outdoor maximum & minimum temp. & humidity history memory.
- 12/24 hours clock time, calendar.
- Alarm with snooze function.
- Maximum support and work with 3 outdoor wireless transmitters in different channel (only one transmitter included).

### Display & controls




- |  |                              |
|--|------------------------------|
| 1. Indoor temperature/trend  | 2. Indoor humidity           |
| 3. Outdoor temperature/trend   | 4. Outdoor humidity          |
| 5. Animated weather forecast   | 6. Clock time                |
| 7. Wireless transmitter channel                                      | 8. Battery compartment cover |
| 9. Hole for hanging  |                              |
| 10-17-18-19: Adjustment buttons: alarm, memory/down, Channel/up, set |                              |
| 11. Calendar   | 12. Channel selector         |
| 13. Rope and hook hole   | 14. Sensor                   |
| 15. Max/min records for temperature and humidity                     |                              |
| 16. foldable stand( unfold for table placement)                      | 20. Backlight/snooze button  |

### Installation

Open the battery compartment cover. Insert 2 x AAA batteries to the main unit, and insert 2 x AA batteries to the transmitter according to the correct polarity showed in the compartment. (Batteries are included)

We recommend use high quality alkaline for the best product performance. Heavy duty or rechargeable batteries are not recommended. The display will off in case of battery power exhausted. (Fresh battery using life time: 6month for main unit, 12month for outdoor wireless transmitter, reference only, not warranty)

### Receive signal from outdoor wireless transmitter

The main unit can detect and receive the outdoor temperature and humidity wireless signal from transmitter automatically after power setting ready. There will take 3 minutes maximum for signal searching. The wireless symbol(nearby channel on display)  will flash on display during searching, and becomes stable after get the signal. If there is no available signal be received, the wireless symbol will be disappeared after 3 minutes, and outdoor temperature and humidity data will show " - - " on display. In case you need reconnect the wireless signal, please press and hold the up button 3 seconds.

### Placement and important notes:

1. The main unit are able to work and connect with 3 outdoor wireless transmitters maximum. Open up the battery door of outdoor wireless transmitter can see and adjust the channel(include 3 channels). it requires to set up at same channel with main unit for signal receiving. For example, you select channel 1 at wireless transmitter, then the channel display of main unit should show CH1 for connection. Press the up button on rear panel of main unit can adjust the channel number and check the outdoor data between CH1-3 on display. You can take the same method to connect other wireless transmitter, but please set it in different channels. Only one wireless transmitter include in the package.
2. please use and put main unit or transmitter device 1.5~2 meters away from interference source like computer monitors or TV sets. Please also place the main unit stand up far away with metal window frames.
3. Please do not use other electronic products such as headphones or speakers operating at the same signal frequency (433.92MHz), which may cause interference. Your neighbors use electronic devices operating on the same signal frequency (433.92MHz) can also cause interference.
4. To ensure accurate temperature measurement, place the device in a dry area, free of dirt and dust. Place out of direct sunlight and away from heat sources or vents.
5. You can install the wireless transmitter outdoor. For better accuracy of using, please place the sensor lengthwise/ standing up 1.5~2 meters at least away from the ground with enough air flowing and protection without rainy. Please do not expose the sensor to direct sunlight for a long time.

- The maximum working distance of wireless transmitter is 80 meters away from main unit.
- The wireless signal from transmitter will refresh in every 114(channel 1)/134(channel 2)/158(channel 3) seconds in recycle.

### Calendar/language/clock time setting

Press and hold set button 3 seconds and get the ON/OFF text flash on display, press up or down button to choose the key tone on/off function, press set button to confirm and skip to year setting, which is same operation as key tone ON/OFF 's setting; repeat and finish rest setting for calendar format/month/date/weekday language(GE (German), EN (English), FR (French), IT (Italian), SP (Spanish), DU (Dutch), DA (Danish)/hour format/hour/minute.( Press and hold up or down button can accelerate the adjustment; there will auto save and exit current setting if there is no further operation last for over 20 seconds)

### Alarm and snooze

Press and hold alarm button can activate alarm setting mode, press up or down button to adjust the hour digits, press alarm button to confirm and skip to minute setting which is same operation as hour setup. Short press alarm button to finish the alarm setting, repress alarm button can turn on/off alarm. Press top backlight/snooze button back to normal clock time.

When the alarm is ring up due to the setting time is being, press any button (except top backlight/snooze button) to cancel the alarming voice, and it will wake up again at same time in coming of next day. Short press top backlight/snooze button to activate snooze function, which will wake up again after 5 minutes. The snooze can repeat in each 5 minutes. Press any other button (except snooze) can cancel the snooze. The buzz alarm voice will last for 2 minute if there is no further operation.

### Temperature and humidity

- Indoor temperature range:  $-10 \sim +50^{\circ}\text{C}$  /  $14 \sim 122^{\circ}\text{F}$ .
  - Outdoor temperature range:  $-40^{\circ}\text{C} \sim 60^{\circ}\text{C}$  ( $-40^{\circ}\text{F} \sim 140^{\circ}\text{F}$ ).
- Remarks: LL.L $^{\circ}\text{C}$  or HH.H $^{\circ}\text{C}$  will show on display when out of the above range
- Indoor and outdoor humidity range: 1%-99%  
LL% or HH% will display when out of range
  - Temperature accuracy:  $\pm 1,0^{\circ}\text{C}$  between  $0^{\circ}\text{C} \sim +50^{\circ}\text{C}$  /  $32^{\circ}\text{F} \sim 104^{\circ}\text{F}$ .  
 $\pm 1,5^{\circ}\text{C}$  outside this measuring range
  - Humidity accuracy: (40-70%)  $\pm 5\%$ , others  $\pm 8\%$
  - Press memory to check maximum and minimum history data, press and hold memory button to manually clear the record. (Remarks: Historical record will be cleared automatically at 00:00 every day).
  - Press set button to switch temperature units:  $^{\circ}\text{C}$  (Celsius degree) or  $^{\circ}\text{F}$  (Fahrenheit degree).

### Temperature trend

The temperature trend arrow (nearby temperature data) in different directions depending on whether the latest temperature reading is higher or lower than previous readings.

Arrow angled upwards=Temperature rose up  $1^{\circ}\text{C}$  in the past 1 hour.

Arrow in straight=Temperature changed less than  $1^{\circ}\text{C}$  in the past 1 hour.

Arrow angled downwards=Temperature fell off  $1^{\circ}\text{C}$  in the past 1 hour.

### Weather forecast

The weather forecast is based on collected hourly temperature & humidity data from the outdoor sensor CH1. The forecast station predicts weather conditions for the next 12 hours



with 70-75% accuracy. The default weather icon is partly cloudy, the base station will calibrate the weather report in the first 1-2 week based on the outdoor temperature and humidity data.

The outdoor wireless transmitter CH1 should be placed outside to get accurate outdoor data, or it will affect the accurate of the weather forecast.

Weather forecast will appear in one of the following combinations (reference only):



SUNNY



PARTLY CLOUD



CLOUDY



RAINY



SNOWY

Please note that the device forecasts the weather based on limited parameters and may differ from official weather forecasts which are calculated on the basis of advanced algorithms.

### Backlight and auto dim

When powered by batteries, press top backlight/snooze button to turn on the backlight. The backlight will last 20 seconds and auto off.

### Trouble shooting

Doesn't display anything.	<ul style="list-style-type: none"> <li>✧ Check if the batteries power installed correct in the device.</li> </ul>
Temperature from outdoor sensor not displayed.	<ul style="list-style-type: none"> <li>✧ Check that the distance between the thermometer and sensor doesn't exceed 30m(recommended).</li> <li>✧ Make sure that the devices are located at least 2m from monitors and TV sets.</li> <li>✧ Avoid placing the devices on or close to window frames made of metal.</li> <li>✧ Avoid using electronic devices such as loudspeakers which operate at the same frequency (433 .92MHz), close to the devices.</li> <li>✧ Please double check if the main unit and outdoor wireless transmitter was set up at same channel.</li> <li>✧ Remove the batteries, wait a while and then reinsert them.</li> </ul>
Displayed temperature is incorrect.	<ul style="list-style-type: none"> <li>✧ Remove the batteries, wait a while and then re-insert them.</li> <li>✧ Make sure that the devices are not affected by heat sources or air-conditioning units and such.</li> </ul>

**Specifications**

- Indoor / outdoor temperature display
- Indoor / outdoor humidity display
- Temperature trend indication
- Temperature / humidity Max/Min record for the day
- Weather forecast for next 12-24hours
- Clock (12/24 hour format) and calendar
- Weekday display in 7 languages (EN/GE/DA/SP/DU/IT/FR)
- Alarm with snooze function
- Outdoor sensor included (1 pc)
- Support for up to 3 sensors
- LCD display with backlight
- LCD display size: 61 x 93 mm
- Main unit power source: 2 x 1.5 V (AAA size, included)
- Outdoor wireless transmitter power source: 2 x 1.5 V (AA size, included)
- Wall hanger/Table stand
- IP54 (water proof for wireless transmitter)
- Wireless transmitter working frequency: 433.92 MHz
- Power consumption: 18 mW (main unit), 24 mW (wireless transmitter)
- Device dimensions: 87 x 25 x 125 mm
- Net weight: 0.134 kg
- Sensor dimensions: 38 x 19 x 100 mm
- Sensor Net weight: 0.032 kg

**Ważne informacje**

- Należy zachować instrukcję obsługi oraz informacje dotyczące bezpieczeństwa w celu wykorzystania ich w przyszłości.
- Nie należy dopuszczać do tego, aby na urządzenie kapął lub wylewała się ciecz. Nie wolno też używać go w wilgotnych miejscach, jak np. łazienka.
- Nie wolno instalować tego urządzenia w następujących miejscach:
- Wystawionych na bezpośrednie działanie promieni słonecznych lub w pobliżu grzejników.
- Kłaść go na wierzchu innego sprzętu stereofonicznego który wydziela ciepło.
- Blokując wentylację lub w zapyłonym miejscu.
- W miejscach narażonych na ciągłe drgania.
- W miejscach o wysokiej wilgotności.
- Nie wolno stawiać urządzenia w pobliżu świec lub otwartego ognia.
- Urządzenia można używać wyłącznie w sposób opisany w niniejszej instrukcji.
- Przed pierwszym włączeniem zasilania należy upewnić się, że zasilacz został prawidłowo podłączony.

Ze względów bezpieczeństwa nie należy demontować obudów ani uzyskiwać dostępu do wnętrza urządzenia. Urządzenie powinno być naprawiane przez wykwalifikowany personel serwisu.

Nie wolno rozkręcać urządzenia ani otwierać jego obudowy, gdyż wewnątrz nie ma żadnych części, które mogłyby być naprawiane przez użytkownika. Konserwacją i naprawą sprzętu zajmują się wyłącznie wykwalifikowani pracownicy serwisu.

**INSTRUKCJE DOTYCZĄCE BEZPIECZEŃSTWA**

1. Przeczytać instrukcje — przed korzystaniem z urządzenia należy przeczytać całość instrukcji obsługi oraz informacje o bezpieczeństwie.
2. Zachować instrukcje — należy zachować instrukcje użytkownika i obsługi w celu wykorzystania ich w przyszłości.
3. Przestrzegać ostrzeżeń — należy postępować zgodnie z wszystkimi ostrzeżeniami zamieszczonymi na urządzeniu oraz zgodnie z instrukcją obsługi.
4. Przestrzegać instrukcji — należy postępować zgodnie z instrukcją obsługi oraz wskazówkami dla użytkownika.
5. Instalacja — należy ustawić urządzenie zgodnie z instrukcjami producenta.
6. Źródła zasilania – urządzenie powinno być zasilane wyłącznie ze źródeł o parametrach podanych na oznaczeniach na kablu zasilania. Jeżeli użytkownik nie jest pewien, jakiego rodzaju zasilaniem dysponuje w domu, powinien skontaktować się ze sprzedawcą urządzenia lub lokalnym dostawcą energii elektrycznej.
7. Woda i wilgoć — aby zmniejszyć zagrożenie pożarem lub porażeniem elektrycznym, nie wolno narażać urządzenia na bezpośrednie działanie deszczu, wody i wilgoci, jak np. w saunie czy w łazience. Nie używać niniejszego urządzenia w pobliżu wody, na przykład obok wanny, umywalki, zlewu kuchennego lub balii, w wilgotnej piwnicy lub w pobliżu basenu (lub w podobnych miejscach).
8. Przedmioty i ciecie w urządzeniu — nie należy wciskać jakichkolwiek przedmiotów przez otwory urządzenia, ponieważ mogą one zetknąć się z punktami niebezpiecznego napięcia i podzespołami, co może wywołać pożar lub porażenie prądem. Pod żadnym pozorem nie należy rozlewać jakichkolwiek cieczy na powierzchni urządzenia. Nie wolno kłaść na wierzchu urządzenia przedmiotów zawierających ciecie.

9. Serwisowanie – nie należy próbować własnoręcznego przeglądania urządzenia. Otwieranie pokrywy może spowodować kontakt z niebezpiecznym napięciem i narazić użytkownika na inne niebezpieczeństwa. Konserwacją i naprawą sprzętu zajmują się wyłącznie wykwalifikowani pracownicy serwisu.
10. Części zamienne — przy wymianie części należy sprawdzić, czy pracownik serwisu użył części zamiennych zalecanych przez producenta lub też czy części są identyczne jak część oryginalna. Dokonywanie wymiany na niezatwierdzone części grozi wybuchem pożaru, porażeniem prądem elektrycznym lub innymi niebezpieczeństwami.
11. Maksymalna temperatura otoczenia urządzenia wynosi 35°C.
12. Wskazówki dotyczące wyładowań elektrostatycznych — jeśli działanie urządzenia jest zakłócone wyładowaniami elektrostatycznymi, należy go wyłączyć i ponownie włączyć lub przenieść urządzenie w inne miejsce.
13. Bateria
  - a. Baterie nie mogą być narażone na działanie nadmiernego ciepła, jak np. promieni słonecznych, ognia itp.
  - b. Podczas utylizacji baterii należy zwrócić uwagę na aspekty ochrony środowiska.
  - c. Przestroga dotycząca używania baterii: aby nie dopuścić do rozszczelnienia baterii, które może spowodować obrażenia ciała bądź uszkodzenie urządzenia:
    - Podczas wkładania baterii zwrócić uwagę na jej polaryzację (+ i -).
    - Nie wolno jednocześnie używać różnych baterii — starych i nowych baterii standardowych i alkalicznych itd.
    - Należy wyjąć baterie z urządzenia, gdy nie będzie ono używane przez dłuższy czas.

#### **Uwaga dotycząca ERP2 (urządzeń związanych z energią)**

Niniejsze urządzenie z ekoprojektem spełnia wymagania etapu 2 Rozporządzenia Komisji (WE) nr 1275/2008 wprowadzającego dyrektywę 2009/125/WE dotyczącą poboru energii przez wyłączone i znajdujące się w trybie czuwania urządzenia elektroniczne do zastosowań biurowych i domowych.

#### **OSTRZEŻENIE**

Urządzenie nie powinno być używane przez osoby (w tym dzieci) o obniżonej sprawności fizycznej, sensorycznej lub umysłowej oraz osoby z niewystarczającą wiedzą i doświadczeniem, jeśli nie znajdują się one pod nadzorem osoby odpowiedzialnej za ich bezpieczeństwo i nie zostały poinstruowane jak bezpiecznie używać urządzenia. Obecność osób dorosłych jest wymagana, jeśli urządzenie obsługują dzieci; pozwoli to zapewnić bezpieczne korzystanie z urządzenia.

1. Nie wolno pozostawić pracującego urządzenia bez nadzoru! Należy wyłączać urządzenie, gdy nie jest ono używane, nawet przez krótką chwilę.
2. Urządzenia nie wolno obsługiwać za pośrednictwem zewnętrznego zegara z układem czasowym ani za pomocą oddzielnego układu ze zdalnym sterowaniem.
3. Aby uniknąć zagrożenia w przypadku uszkodzenia przewodu zasilania, wymianę powinien wykonać producent, autoryzowany punkt serwisowy lub inna osoba posiadająca odpowiednie kwalifikacje.
4. Przed przystąpieniem do obsługi urządzenia należy sprawdzić, czy jego napięcie odpowiada napięciu występującemu w lokalnej sieci zasilającej.
5. Aby uniknąć pożaru lub porażenia prądem elektrycznym, należy chronić urządzenie przed gorącymi miejscami, działaniem deszczu, wilgoci i pyłu.
6. Nie wolno narażać urządzenia na silne pole magnetyczne.
7. Nie wolno stawiać urządzenia bezpośrednio na wzmacniaczu lub amplitunerze.
8. Nie wolno stawiać urządzenia w wilgotnym miejscu, gdyż wilgoć ma szkodliwy wpływ na podzespoły elektryczne.

9. Po wniesieniu urządzenia z zimnego do ciepłego miejsca lub do wilgotnego miejsca może dojść do kondensacji wilgoci na soczewce wewnątrz odtwarzacza. W takiej sytuacji urządzenie nie będzie działać prawidłowo. Należy pozostawić włączone urządzenie na około jedną godzinę, aby umożliwić odparowanie wilgoci.
10. Nie wolno czyścić urządzenia rozpuszczalnikami chemicznymi, gdyż mogą one zniszczyć lakier obudowy. Urządzenie wyciera się czystą, suchą lub nieznacznie zwilżoną ściereczką.

**UWAGA**

Deklaracja



Niniejszym Blaupunkt Competence Center 2N-Everpol Sp. z o.o. oświadcza, że to urządzenie jest zgodne z wymogami i innymi odpowiednimi postanowieniami dyrektywy 2014/53 / UE. Pełną deklarację zgodności można uzyskać na stronie [www.blaupunkt.com](http://www.blaupunkt.com) w zakładce produktu. Podmiot odpowiedzialny: 2N-Everpol Sp. z o.o., Puławska 403A, 02-801 Warszawa, Polska, Telefon: +48 22 688 08 00, e-mail: [info@everpol.pl](mailto:info@everpol.pl)



Produkt został wyprodukowany z wysokiej jakości materiałów i podzespołów, które można poddać recyklingowi i ponownie użyć.



Jeśli na urządzeniu znajduje się znak przekreślonego kosza na śmieci, oznacza to, że produkt jest objęty postanowieniami dyrektywy europejskiej 2012/19/EU. Należy zapoznać się z wymaganiami dotyczącymi lokalnego systemu zbiórki odpadów elektrycznych i elektronicznych. Należy postępować zgodnie z lokalnymi przepisami. Nie wolno wyrzucać tego produktu razem ze zwykłymi odpadami domowymi. Prawidłowe usunięcie starego produktu zapobiegnie potencjalnym negatywnym skutkom dla środowiska naturalnego i zdrowia ludzkiego.



Urządzenie jest wyposażone w baterie objęte dyrektywą europejską 2006/66/EC. Baterii nie wolno wyrzucać razem z odpadami gospodarstwa domowego. Należy zapoznać się z lokalnymi przepisami dotyczącymi oddzielnej zbiórki baterii, ponieważ prawidłowa utylizacja zapobiegnie potencjalnym negatywnym skutkom dla środowiska naturalnego i zdrowia ludzkiego.

**Informacje o ochronie środowiska naturalnego**

Opakowanie zawiera tylko niezbędne elementy. Dołożono wszelkich starań, aby trzy materiały składowe opakowania były łatwe do oddzielenia: karton (pudełko), pianka polistyrenowa (zabezpieczenia wewnątrz) i polietylen (torebki, arkusz ochronny). Urządzenie wyprodukowano z materiałów, które można poddać recyklingowi i użyć ponownie po ich demontażu przez wyspecjalizowaną firmę. Należy przestrzegać lokalnych przepisów dotyczących utylizacji materiałów opakowaniowych, zużytych baterii i niepotrzebnych urządzeń.

Nagrywanie i odtwarzanie materiałów może wymagać uzyskania zgody. Patrz ustawa o prawach autorskich i prawach wykonawców/artystów.

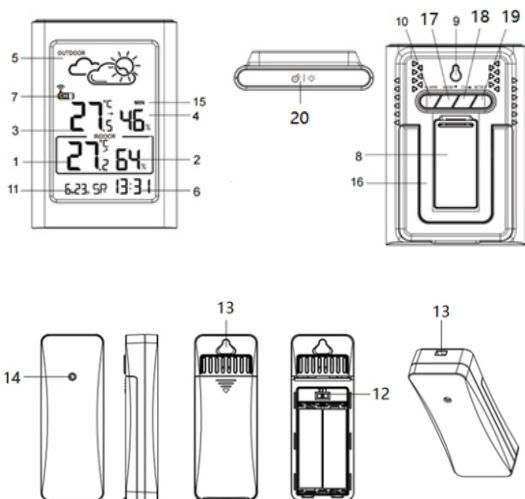
Dziękujemy za zakup naszej stacji pogodowej. Ten model posiada poniższe funkcje.

### Funkcje

- Prognoza pogody: słonecznie, częściowe zachmurzenie, zachmurzenie, deszcz, śnieg.
- Temperatura wewnętrzna / zewnętrzna.
- Wilgotność wewnętrzna / zewnętrzna.
- Pamięć minimalnych i maksymalnych wartości pomiarów temperatury i wilgotności wewnętrznej i zewnętrznej.
- 12/24 godzinny tryb zegara. kalendarz.
- Alarm z funkcją drzemki
- Obsługa do 3 czujników zewnętrznych pracujących na różnych kanałach (w zestawie tylko 1 czujnik)

Prosimy o uważne przeczytanie i zapoznanie się z niniejszą instrukcją przed uruchomieniem urządzenia. Proszę zachować instrukcję do wykorzystania w przyszłości.

### Wyświetlacz i elementy sterujące



- |  |                                     |
|--|-------------------------------------|
| 1. Temperatura wewnętrzna / trend  | 2. Wilgotność wewnętrzna            |
| 3. Temperatura zewnętrzna / trend  | 4. Wilgotność zewnętrzna            |
| 5. Animowana prognoza pogody   | 6. Zegar                            |
| 7. Wskaźnik kanału czujnika zewnętrznego   | 8. Pokrywa komory baterii           |
| 9. Otwór montażowy do zawieszenia  |                                     |
| 10-17-18-19: Przyciski regulacji: alarm, pamięć (MEM)/do dołu kanał (CH)/ do góry, ustawienia (SET), | 11. Kalendarz                       |
| 12. Przełącznik kanałów czujnika   | 13. Otwory montażowe do zawieszenia |
| 14. Kontrolka czujnika   |                                     |
| 15. Dane minimalnych i maksymalnych wartości pomiarów temperatury i wilgotności                      |                                     |
| 16. Składana podpórka (rozłóż do ustawienia na stole)  | 20. Przycisk podświetlenia/drzemki  |


## Instalacja

Otwórz pokrywę komory baterii. Włóż 2 baterie typu AAA do stacji pogodowej, następnie włóż 2 baterie typu AA do czujnika zewnętrznego zgodnie z polaryzacją pokazaną w komorze. (Baterie są w zestawie)

W celu uzyskania najlepszej wydajności produktu zalecamy stosowanie wysokiej jakości baterii alkalicznych. Nie zaleca się stosowania baterii typu „Heavy Duty” lub akumulatorów.

Wyświetlacz stacji pogodowej wyłączy się w przypadku rozładowania baterii. (Przybliżony czas pracy na nowej baterii: 6 miesięcy dla stacji pogodowej, 12 miesięcy dla zewnętrznego czujnika bezprzewodowego. Podane czasy pracy są tylko szacunkowe i zależą od wielu czynników, jak rodzaj użytych baterii, producent, warunki pracy itd.)

## Odbiór sygnału z zewnętrznego czujnika bezprzewodowego

Po poprawnym zainstalowaniu baterii, stacja pogodowa automatycznie wykrywa i odbiera sygnał z pomiaru temperatury i wilgotności zewnętrznej z zewnętrznego czujnika bezprzewodowego. Wyszukiwanie sygnału zajmie maksymalnie 3 minuty. Symbol bezprzewodowy (nad ikoną numeru kanału)  będzie migał na wyświetlaczu podczas wyszukiwania i ustabilizuje się po pomyślnym odebraniu sygnału. Jeśli stacja nie otrzyma sygnału z czujnika zewnętrznego, wskaźnik odbioru sygnału zniknie po upływie 3 minut a wyświetlacz, zamiast danych temperatury i wilgotności zewnętrznej, pokaże następujący symbol: „- -”. W celu ponownego włączenia wyszukiwania sygnału z czujnika zewnętrznego, naciśnij i przytrzymaj przycisk „do góry” przez 3 sekundy.

## Umieszczenie urządzenia oraz inne uwagi:

1. Stacja pogodowa może współpracować z maksymalnie trzema zewnętrznymi czujnikami bezprzewodowymi. Aby ustawić żądany kanał czujnika, otwórz pokrywę baterii i ustaw przełącznik kanałów w odpowiedniej pozycji ( do wyboru są 3 kanały). Po ustawieniu przełącznika w czujniku zewnętrznym na kanał numer 1, wybierz w stacji pogodowej również kanał numer 1 – w tym celu naciśnij przycisk kanał (CH)/ do góry, aby wybrać kanał 1. Taka samą metodą możesz sparować kolejne dwa opcjonalne czujniki używając kanału 2 i 3 do ich połączenia. W zestawie dostępny jest tylko 1 czujnik zewnętrzny.
2. Prosimy umieścić i używać stację pogodową oraz zewnętrzny czujnik w odległości 1,5~2 metrów od źródeł zakłóceń, takich jak monitory komputerowe lub telewizory. Stację pogodową należy również umieścić z daleka od okien z metalowymi ramami.
3. Nie używaj innych produktów elektronicznych, takich jak słuchawki lub głośniki, działających na tej samej częstotliwości sygnału (433,92 MHz), ponieważ mogą one powodować zakłócenia. Pamiętaj, że jeśli Twoi sąsiedzi używają urządzeń elektronicznych działających na tej samej częstotliwości sygnału (433,92 MHz) to również mogą one powodować zakłócenia w poprawnym działaniu.

4. Aby zapewnić dokładny pomiar temperatury wewnętrznej, umieść stację pogodową w suchym miejscu, wolnym od brudu i kurzu. Wybierz miejsce z dala od bezpośredniego działania światła słonecznego i innych źródeł ciepła a także z daleka od otworów wentylacyjnych.
5. Czujnik bezprzewodowy można zainstalować na zewnątrz. Aby uzyskać możliwie najlepszą dokładność pomiaru, umieść czujnik w pozycji pionowej, na wysokości co najmniej 1,5 ~ 2 metrów od ziemi, w miejscu osłoniętym od deszczu i z dobrą cyrkulacją powietrza. Nie należy wystawiać czujnika na bezpośrednie działanie promieni słonecznych przez dłuższy czas.
6. Maksymalna odległość robocza czujnika bezprzewodowego wynosi 80 metrów od stacji pogodowej, bez przeszkód pomiędzy nimi.
7. Sygnał z czujnika bezprzewodowego wysyłany jest do stacji każdorazowo w odstępnie 114 sekund (kanał 1), 134 sekund (kanał 2), 158 sekund (kanał 3).

### Ustawienia kalendarza/języka/zegara

Naciśnij i przytrzymaj przycisk ustawienia (SET) przez 3 sekundy do momentu pojawienia się migającego symbolu ON lub OFF na wyświetlaczu, naciśnij przycisk do góry lub do dołu, aby włączyć lub wyłączyć dźwięk przycisków, naciśnij przycisk ustawienia (SET), aby potwierdzić wybór i przejść do ustawienia roku. Powtarzaj te czynności w takiej samej kolejności, aby ustawić pozostałe parametry takie jak: format kalendarza/miesiąc/data/dzień tygodnia/język – dostępne języki to: GE (niemiecki), EN (angielski), FR (francuski), IT (włoski), SP (hiszpański), DU (holenderski), DA (duński) /format godziny/godzina/minuta. (Naciśnij i przytrzymaj przycisk do góry lub do dołu, aby przyspieszyć regulację; nastąpi automatyczne zapisanie i wyjście z bieżących ustawień, jeśli w ciągu 20 sekund nie zostanie naciśnięty żaden przycisk)

### Alarm i drzemka

Naciśnij i przytrzymaj przycisk ALARM, aby aktywować tryb ustawienia alarmu, naciśnij przycisk do góry lub do dołu, aby ustawić godzinę alarmu, naciśnij przycisk ALARM, aby potwierdzić wybór i przejść do ustawienia minut alarmu, które wykonuje się tak samo, jak ustawienie godziny. Krótkie naciśnięcie przycisku ALARM może zakończyć ustawienie alarmu, ponowne naciśnięcie przycisku ALARM może włączyć/wyłączyć alarm (O poprawnie włączonym alarmie informuje ikona dzwonka, wyświetlana pomiędzy wskaźnikiem godzin i minut na wyświetlaczu). Naciśnij górny przycisk podświetlenia/drzemki, aby powrócić do wyświetlania czasu zegarowego.

Gdy alarm dzwoni o ustawionej porze, naciśnij dowolny przycisk (z wyjątkiem przycisku podświetlenia /drzemki), aby anulować dźwięk alarmu, a alarm włączy się ponownie o tej samej porze następnego dnia. W trakcie trwania alarmu krótko naciśnij przycisk podświetlenia/drzemki, aby aktywować funkcję drzemki, która ponownie włączy alarm po upływie 5 minut. Drzemka może się powtarzać co 5 minut. Naciśnij dowolny inny przycisk (z wyjątkiem przycisku podświetlenia/drzemki), aby anulować drzemkę. Dźwięk alarmu będzie trwał przez 2 minuty, jeśli nie zostanie on wcześniej anulowany.

### Temperatura i wilgotność

1. Zakres pomiaru temperatury wewnętrznej: -10 ~ +50 °C / 14 ~ 122 °F.
2. Zakres pomiaru temperatury zewnętrznej: -30 ~ +60 °C / -22 ~ 140 °F.  
Uwaga: LL.L °C lub HH.H °C pojawi się na wyświetlaczu, gdy wartość zmierzonej temperatury znajdzie się poza powyższym zakresem
3. Zakres pomiaru wilgotności wewnętrznej i zewnętrznej: 1%~99%  
Uwaga: LL% lub HH% pojawi się na wyświetlaczu, gdy wartość zmierzonej wilgotności znajdzie się poza powyższym zakresem
4. Dokładność pomiaru temperatury: ±1,0°C w zakresie od 0°C do +50°C / 32°F ~ 104°F.



$\pm 1,5^{\circ}\text{C}$  poza powyższym zakresem.

5. Dokładność pomiaru wilgotności:  $\pm 5\%$  (w zakresie od 40 do 70%),  $\pm 8\%$  poza zakresem

6. Naciśnij przycisk pamięć (MEM), aby sprawdzić maksymalne i minimalne wartości pomiaru, naciśnij i przytrzymaj przycisk pamięć (MEM), aby ręcznie skasować te dane. (Uwaga: Maksymalne i minimalne wartości pomiaru zostaną automatycznie skasowane o godzinie 00:00 każdego dnia).

7. Naciśnij przycisk do dołu (DOWN), aby zmienić jednostkę temperatury: ze  $^{\circ}\text{C}$  (stopnie celsjusza) na  $^{\circ}\text{F}$  (stopnie fahrenheit).a).

### Trend temperatury

Strzałka w pobliżu danych temperatury informuje o trendzie temperatury. Jej kierunek zmienia się w zależności od tego, czy ostatni odczyt temperatury jest wyższy, czy niższy, niż poprzednie odczyty.

Strzałka skierowana w górę = temperatura wzrosła o  $1^{\circ}\text{C}$  w ciągu ostatniej godziny.

Strzałka skierowana na wprost = temperatura zmieniła się o mniej niż  $1^{\circ}\text{C}$  w ciągu ostatniej godziny.

Strzałka skierowana w dół = temperatura spadła o  $1^{\circ}\text{C}$  w ciągu ostatniej godziny.

### Animowana prognoza pogody

Prognoza pogody jest oparta na zebranych godzinowych danych temperatury i wilgotności z czujnika zewnętrznego. Stacja prognozuje warunki pogodowe na najbliższe 12 godzin z dokładnością 70-75%. Domyślna ikona prognozy pogody jest ustawiona jako „częściowe zachmurzenie”, stacja pogodowa automatycznie skalibruje prognozę pogody w ciągu pierwszych 1-2 tygodni działania na podstawie danych temperatury i wilgotności z czujnika zewnętrznego.

Czujnik bezprzewodowy należy umieścić na zewnątrz, aby uzyskać dokładne dane temperatury i wilgotności, w przeciwnym razie wpłynie to na dokładność prognozy pogody.

Prognoza pogody pojawi się w jednej z następujących kombinacji:



SŁONECZNIE



CZĘŚCIOWE ZACHMURZENIE



ZACHMURZENIE



DESZCZ



ŚNIEG

Należy pamiętać, że urządzenie prognozuje pogodę w oparciu o ograniczone parametry i może się ona różnić od oficjalnych prognoz pogody, które są obliczane na podstawie zaawansowanych algorytmów.

### Wskaźnik punktu zamarzania

Gdy temperatura na zewnątrz spadnie poniżej  $3^{\circ}\text{C}/34^{\circ}\text{F}$ , na wyświetlaczu pojawi się niniejszy

symbol  i stacja wyemituje sygnał ostrzegawczy.

### Rozwiązywanie problemów

Brak informacji na wyświetlaczu	<ul style="list-style-type: none"> <li>✧ Sprawdź, czy baterie są prawidłowo zainstalowane w urządzeniu.</li> </ul>
Temperatura z czujnika zewnętrznego nie jest wyświetlana.	<ul style="list-style-type: none"> <li>✧ Sprawdź, czy odległość między stacją a czujnikiem nie przekracza 30 m (zalecane)</li> <li>✧ Upewnij się, że stacja i czujnik znajdują się w odległości co najmniej 2 m od monitorów i telewizorów.</li> <li>✧ Unikaj umieszczania urządzeń na lub w pobliżu ram okiennych wykonanych z metalu.</li> <li>✧ Unikaj używania stacji w pobliżu urządzeń elektronicznych, takich jak głośniki, które działają na tej samej częstotliwości (433 MHz).</li> <li>✧ Proszę dokładnie sprawdzić, czy stacja i zewnętrzny czujnik bezprzewodowy zostały ustawione na tym samym kanale</li> <li>✧ Wyjmij baterie, odczekaj chwilę, a następnie włóż je ponownie.</li> </ul>
Wyświetlana temperatura jest nieprawidłowa.	<ul style="list-style-type: none"> <li>✧ Wyjmij baterie, odczekaj chwilę, a następnie włóż je ponownie.</li> <li>✧ Upewnij się, że na stację lub czujnik nie mają wpływu źródła ciepła, klimatyzatory itp. Lub czujnik znajduje się w miejscu narażonym na bezpośrednie działanie promieni słonecznych.</li> </ul>

### Specyfikacja:

Wyświetlanie temperatury wewnętrznej/zewnętrznej

Wyświetlanie wilgotności wewnętrznej/zewnętrznej

Wskazanie trendu temperatury

Zapis Max/Min temperatury/wilgotności w ciągu dnia

Prognoza pogody na następne 12-24 godziny

Zegar (format 12/24-godzinny) i kalendarz

Wyświetlanie dni tygodnia w 7 językach (EN/GE/DA/SP/DU/IT/FR)

Alarm z funkcją drzemki

Bezprzewodowy czujnik zewnętrzny (1 szt. w zestawie)

Obsługa do 3 czujników zewnętrznych

Wyświetlacz LCD z podświetleniem

Rozmiar wyświetlacza LCD: 61 x 93 mm

Źródło zasilania stacji pogodowej: bateria 2 x 1,5V (rozmiar AAA, w zestawie)

Źródło zasilania czujnika bezprzewodowego: bateria 2 x 1,5V (rozmiar AA, w zestawie)

Wieszak ścienny/Stojak

IP54 (klasa wodoodporności dla czujnika bezprzewodowego)

Częstotliwość pracy czujnika bezprzewodowego: 433,92 MHz

Pobór mocy: 18 mW (stacja pogodowa), 24 mW (czujnik bezprzewodowy)

Wymiary stacji pogodowej: 87 x 25 x 125 mm

Waga netto stacji pogodowej: 0,134 kg

Wymiary czujnika: 38 x 19 x 100 mm

Waga netto czujnika: 0,032 kg

### Důležité informace

- Uchovejte tento návod a bezpečnostní informace pro jejich použití v budoucnu.
- Nedovolte, aby na přístroj kapala nebo se lila tekutina.
- Nepoužívejte ve vlhkých místech, jako např. koupelny.
- Neumísťujte tento přístroj na následujících místech:
- Vystavených přímému slunečnímu záření nebo blízko radiátorů.
- Na jiná stereofonní zařízení, která generují teplo.
- Blokovat větrání nebo umísťovat v prašném prostředí.
- V prostorech vystavených otřesům.
- V prostorech s vysokou vlhkostí.
- Neumísťujte zařízení v blízkosti otevřeného ohně nebo svíčky.
- Zařízení lze použít pouze tak, jak je popsáno v tomto návodu.
- Před prvním zapnutím se ujistěte, že napájení bylo řádně připojeno.

Z bezpečnostních důvodů neodstraňujte kryty a nesazte se dostat dovnitř zařízení. Přístroj by měl být opravován pouze kvalifikovaným servisním personálem. Nerozebírejte zařízení ani neotevírejte kryt, protože uvnitř nejsou žádné díly, které mohou být opraveny vlastními silami. Údržbou a opravami zařízení se zabývá výhradně kvalifikovaný servisní personál.

### BEZPEČNOSTNÍ POKYNY

1. Přečtěte si pokyny - před použitím zařízení si přečtěte celý návod a bezpečnostní informace.
2. Tyto pokyny uschovejte - uschovejte návod k použití pro použití v budoucnu.
3. Dodržujte varování - dodržujte veškerá varování umístěná na zařízení a v souladu s pokyny.
4. Dodržujte pokyny - postupujte podle pokynů a návodu pro uživatele.
5. Instalace - nastavte zařízení podle pokynů výrobce.
6. Napájecí zdroje - tento produkt by měl být napájen pouze ze zdrojů uvedených na označení na napájecím kabelu. Pokud si nejste jisti, jaký typ napájení máte doma, měli byste se obrátit na svého prodejce nebo místního dodavatele elektrické energie.
7. Voda a vlhkost - aby se snížilo riziko poruchy nebo úrazu elektrickým proudem, nevystavujte přístroj působení deště, vody a vlhkosti, jako například v sauně, nebo v koupelně. Nepoužívejte toto zařízení v blízkosti vody, například u vany, umyvadla, kuchyňského dřezu nebo prádelní vany, ve vlhkém sklepě nebo v blízkosti bazénu (nebo na podobných místech).
8. Objekty a kapaliny v zařízení – Nevkládejte objekty přes otvory, protože mohou přijít do styku s body nebezpečného napětí a komponenty, které mohou způsobit poruchu nebo úraz elektrickým proudem. Tekutiny by za žádných okolností neměly vniknout na povrch přístroje. Nepokládejte žádné předměty obsahující kapaliny na horní část zařízení.
9. Servis - Nepokoušejte se o vlastnoruční prohlídky zařízení. Otevření krytu může způsobit nebezpečné napětí a vystavit uživatele na nebezpečí. Údržbou a opravami zařízení se zabývá výhradně kvalifikovaný servisní personál.
10. Náhradní díly - při výměně dílů, zkontrolujte, zda zaměstnanec servisu použil náhradní díly specifikované výrobcem, nebo díly stejné jako původní. Výměna za neschválené díly hrozí poruchou, úrazem elektrickým proudem nebo jiným nebezpečím.
11. Maximální okolní teplota zařízení je 35 °C
12. Pokyny týkající se elektrostatických výbojů - v případě, že činnost zařízení je narušena elektrostatickými výboji, vypněte jej a opětovně zapnete nebo přemístíte přístroj do jiného místa.
13. Bateria
  - a. Baterie nie mogą być narażone na działanie nadmiernego ciepła, jak np. promieni słonecznych, ognia itp.

- b. Podczas utylizacji baterii należy zwrócić uwagę na aspekty ochrony środowiska.
- c. Przestroga dotycząca używania baterii: aby nie dopuścić do rozszczelnienia baterii, które może spowodować obrażenia ciała bądź uszkodzenie urządzenia:
  - Podczas wkładania baterii zwrócić uwagę na jej polaryzację (+ i -).
  - Nie wolno jednocześnie używać różnych baterii — starych i nowych baterii standardowych i alkalicznych itd.
  - Należy wyjąć baterie z urządzenia, gdy nie będzie ono używane przez dłuższy czas.

#### **Poznámka o ERP2 (zařízení související se spotřebou energie)**

Toto zařízení s ekodesignem je v souladu s požadavky části 2 nařízení Komise (ES) 1275/2008 ke směrnici 2009/125/ES o spotřebě energie kterým se provádí směrnice Evropského parlamentu a Rady 2005/32/ES, pokud jde o požadavky na ekodesign z hlediska spotřeby elektrické energie elektrických a elektronických zařízení určených pro domácnosti a kanceláře v pohotovostním režimu a ve vypnutém stavu.

#### **VAROVÁNÍ**

Přístroj by neměl být používán osobami (včetně dětí) s fyzickým, smyslovým nebo mentálním postižením a osobami s nedostatečnými znalostmi a zkušenostmi, pokud nejsou pod dohledem osoby odpovědné za jejich bezpečnost a nebyly poučeny, jak bezpečně používat zařízení. Přítomnost dospělých je nutná v případě, že zařízení obsluhují děti; to umožní zajištění bezpečného provozu zařízení.

1. Nikdy nenechávejte zařízení běžet bez dozoru! Vypněte zařízení, pokud jej nepoužíváte, a to i na krátkou dobu.
2. Neprovazujte přístroj přes externí časovač nebo samostatný systém dálkového ovládní.
3. Aby se zabránilo nebezpečí, v případě poškození napájecího kabelu výměnu by měl dělat výrobce, autorizovaný poskytovatel služeb nebo jiná osoba, mající příslušné kvalifikace.
4. Před použitím zařízení zkontrolujte, zda napětí odpovídá napětí vyskytujícímu se v místní síti.
5. Aby nedošlo k poruše nebo k úrazu elektrickým proudem, nevystavujte zařízení na horka místa, na dešť, vlhkost a prach.
6. Nevystavujte silnému magnetickému poli.
7. Nepokládejte zařízení přímo na zesilovači nebo přijímači.
8. Nepokládejte přístroj na vlhká místa, protože vlhkost poškozuje elektrické součásti.
9. Přenos zařízení z chladného do teplého prostředí nebo do vlhkého prostoru může vést ke kondenzaci vlhkosti na čočce uvnitř přehrávače. V takové situaci, přístroj nebude pracovat správně. Nechte součástí v přístroji po dobu jedné hodiny pro odpařování vlhkosti.
10. Nečistěte zařízení chemickými rozpouštědly, protože mohou zničit lak skříně. Přístroj se čistí čistým, suchým nebo mírně vlhkým hadříkem.

#### **POZOR**

Prohlášení o shodě



Blaupunkt Competence Center 2N-Everpol Sp. z o.o. tímto prohlašuje, že je toto zařízení v souladu se základními požadavky a dalšími příslušnými ustanoveními směrnice 2014/53 / EU. Prohlášení o shodě lze získat ze stránky produktu na [www.blaupunkt.com](http://www.blaupunkt.com).

Odpovědná strana: 2N-Everpol Sp. z o.o., Puławska 403A, 02-801 Varšava, Polsko, Tel: +48 22 688 08 00, E-mail: [info@everpol.pl](mailto:info@everpol.pl)



Naše produkty jsou navrženy a vyrobeny z vysoce kvalitních materiálů a komponent, které jsou recyklovatelné a znovu použitelné.



Je-li tento symbol přeškrtnutého kontejneru uveden na výrobku, znamená to, že výrobek podléhá směrnici 2012/19/EU. Informujte se prosím o místní systém sběru tříděného odpadu pro elektrické a elektronické výrobky. Prosím řiďte se místními pravidly a nelikvidujte staré produkty spolu s běžným komunálním odpadem. Správnou likvidací starého výrobku pomůžete předejít možným negativním dopadům na životní prostředí a lidské zdraví.



Výrobek obsahuje baterie podléhající směrnici 2006/66/EC, které nelze vyhazovat do běžného domovního odpadu. Informujte se prosím o místních pravidlech o sběru baterií, neboť správnou likvidací pomůžete předcházet negativním důsledkům pro ČESKÝ životní prostředí a lidské zdraví.

#### **Informace týkající se životního prostředí**

Výrobek je zabalen pouze v nezbytném obalu pro jeho ochranu. Snahou naší firmy je, aby byl obalový materiál snadno rozdělitelný na tři materiály: lepenku (krabice), polystyrén (ochranné balení) a polyethylen (sáčky, ochranné fólie z lehčeného plastu). Výrobek se skládá z materiálů, které lze recyklovat a znovu použít v případě demontáže odbornou firmou. Dodržujte prosím místní předpisy týkající se likvidace obalových materiálů, vybitých baterií a starého zařízení. Na nahrávání a přehrávání materiálů může být vyžadován souhlas. Viz Zákon o Copyrightu Act 1956 a Zákon na ochranu umělců Sk 1958-1972.

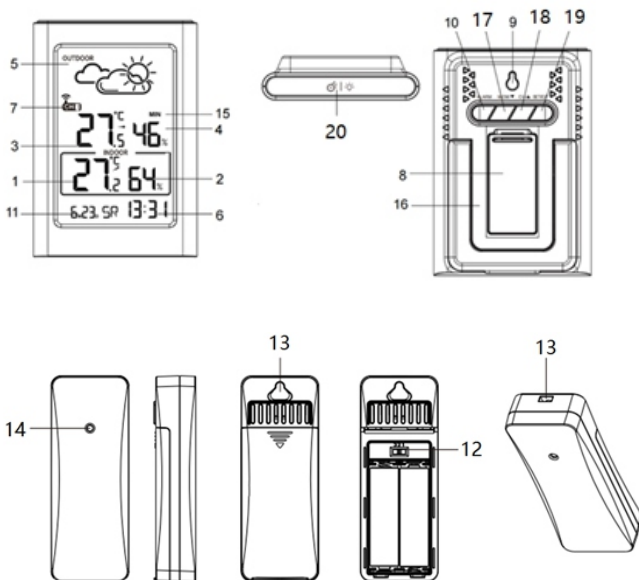
Děkujeme, že jste si zakoupili naši meteorologickou stanici. Tento model má následující funkce.

#### Funkce

- Předpověď počasí: slunečno, polojasno, oblačno, déšť, sníh.
- Vnitřní/venkovní teplota.
- Vnitřní/venkovní vlhkost.
- Paměť minimálních a maximálních hodnot měření vnitřní a venkovní teploty a vlhkosti.
- 12/24 hodinový režim hodin, kalendář.
- Budík s funkcí odložení
- Podpora až 3 venkovních senzorů pracujících na různých kanálech (pouze 1 senzor v sadě)

Před použitím zařízení si prosím pečlivě přečtěte a pochopte tento návod. Uchovejte si prosím návod pro budoucí použití.

#### Displej a ovládací prvky



- |  |                                  |
|--|----------------------------------|
| 1. Vnitřní teplota/trend   | 2. Vnitřní vlhkost               |
| 3. Venkovní teplota/trend  | 4. Venkovní vlhkost              |
| 5. Animovaná předpověď počasí  | 6. Hodiny                        |
| 7. Indikátor kanálů venkovního senzoru   | 8. Kryt prostoru pro baterie     |
| 9. Montážní otvor pro zavěšení   |                                  |
| 10-17-18-19: Tlačítka nastavení: budík, paměť (MEM)/dolů, kanál (CH)/ nahoru, nastavení (SET), |                                  |
| 11. Kalendář   | 12. Přepínač kanálu senzoru      |
| 13. Montážní otvory pro zavěšení   | 14. Kontrolka senzoru            |
| 15. Údaje o minimálních a maximálních hodnotách měření teploty a vlhkosti                      |                                  |
| 16. Skládací stojánek (rozložte pro postavení na stole)  | 20. Tlačítko podsvícení/odložení |

## Instalace


Otevřete kryt prostoru pro baterie. Vložte 2 baterie typu AAA do meteostanice a následně vložte 2 baterie typu AA do venkovního senzoru podle polarit vyznačené v přihrádce. (Baterie jsou součástí dodávky)

Pro nejlepší výkon produktu doporučujeme používat vysoce kvalitní alkalické baterie.

Nedoporučuje se používat baterie typu „Heavy Duty“ nebo dobíjecí baterie. V případě vybití baterie se displej meteostanice vypne. (Přibližný čas provozu s novou baterií: 6 měsíců pro meteostanici, 12 měsíců pro venkovní bezdrátový senzor. Časy provozu jsou pouze orientační a budou záviset na mnoha faktorech, jako je typ použitých baterií, výrobce, provozní podmínky atd.)

## Přijem signálu z venkovního bezdrátového senzoru

Po správné instalaci baterie meteostanice automaticky detekuje a přijímá signál venkovní teploty a vlhkosti z venkovního bezdrátového senzoru. Vyhledávání signálu bude trvat

maximálně 3 minuty. Symbol bezdrátového připojení (na displeji vedle kanálu)  během vyhledávání bude na displeji blikat a stabilizuje se, jakmile je signál úspěšně přijat. Pokud stanice neobdrží signál z venkovního senzoru, indikátor příjmu signálu po 3 minutách zmizí a na displeji se místo údajů o venkovní teplotě a vlhkosti zobrazí následující symbol: „-“. Chcete-li znovu aktivovat vyhledávání signálu z venkovního senzoru, stiskněte a podržte tlačítko „nahoru“ po dobu 3 sekund.

## Umístění zařízení a další poznámky:

- Meteostanice může pracovat maximálně se třemi venkovními bezdrátovými senzory. Chcete-li nastavit požadovaný kanál senzoru, otevřete kryt baterie a nastavte volič kanálů do příslušné polohy (na výběr jsou 3 kanály). Po nastavení přepínače na venkovním senzoru na kanál číslo 1 vyberte na meteostanici také kanál číslo 1 - za tímto účelem stiskněte tlačítko kanál (CH)/nahoru pro výběr kanálu 1. Stejným způsobem můžete spárovat další dva volitelné senzory pomocí kanálů 2 a 3 pro jejich připojení. Se zařízením je dodáván pouze 1 venkovní senzor.
- Umístěte a používejte meteorologickou stanici a venkovní senzor do vzdálenosti 1,5 ~ 2 metry od zdrojů rušení, jako jsou počítačové monitory nebo televizory. Meteorologická stanice by také měla být umístěna mimo okna s kovovými rámy.
- Nepoužívejte jiné elektronické produkty, jako jsou sluchátka nebo reproduktory, které pracují na stejné frekvenci signálu (433,92 MHz), jelikož mohou způsobovat rušení. Pamatuje, že pokud Vaši sousedé používají elektronická zařízení pracující na stejné frekvenci signálu (433,92 MHz), mohou také rušit správnou funkci.
- Pro přesné měření vnitřní teploty umístěte meteostanici na suché místo, bez nečistot a prachu. Vyberte místo mimo přímé sluneční světlo a jiné zdroje tepla, jak rovněž mimo ventilační otvory.

5. Bezdrátový senzor lze instalovat venku. Pro nejlepší možnou přesnost měření umístěte senzor ve svislé poloze alespoň 1,5 ~ 2 metry od země, na místě chráněném před deštěm, s dobrou cirkulací vzduchu. Nevystavujte senzor delší dobu přímému slunečnímu záření.
6. Maximální pracovní vzdálenost bezdrátového senzoru je 80 metrů od meteorologické stanice, bez jakýchkoli překážek mezi nimi.
7. Signál z bezdrátového senzoru je vysílán do stanice v intervalech 114 sekund (kanál 1), 134 sekund (kanál 2), 158 sekund (kanál 3).

### **Nastavení kalendáře/jazyka/hodin**

Stiskněte a podržte tlačítko nastavení (SET) po dobu 3 sekund, dokud displej nezačne blikat symbol ON nebo OFF, stiskněte tlačítko nahoru nebo dolů pro zapnutí nebo vypnutí zvuku tlačítek, stiskněte tlačítko nastavení (SET), pro potvrzení výběru a přechod na nastavení roku. Opakujte tyto kroky ve stejném pořadí pro nastavení dalších parametrů, jako jsou: formát kalendáře/měsíc/datum/den v týdnu/jazyk - dostupné jazyky jsou: GE (němčina), EN (angličtina), FR (francouzština), IT (italština), SP (španělština), DU (holandština), DA (dánština)/formát hodin/hodina/minuta. (Stiskněte a podržte tlačítko nahoru nebo dolů pro zrychlení nastavení; aktuální nastavení se automaticky uloží a opustí se, pokud do 20 sekund nestisknete žádné tlačítko)

### **Budík a odložení**

Stiskněte a podržte tlačítko ALARM pro aktivaci režimu nastavení budíku, stiskněte tlačítko nahoru nebo dolů pro nastavení času budíku, stiskněte tlačítko ALARM pro potvrzení výběru a přejděte na nastavení minut budíku, které je stejné jako nastavení hodin. Krátkým stisknutím tlačítka ALARM lze ukončit nastavení budíku, dalším stisknutím tlačítka ALARM lze budík zapnout/vypnout (Ikona zvonku, zobrazená na displeji mezi hodinami a minutami, informuje o správně aktivovaném budíku). Stisknutím horního tlačítka podsvícení/odložení se vrátíte na zobrazení času.

Jakmile budík zazvoní v nastavenou dobu, stisknutím libovolného tlačítka (kromě tlačítka podsvícení/odložení) zvuk budíku zrušíte a budík ve stejnou dobu znovu zazvoní další den. Jakmile se spustí budík, krátce stiskněte tlačítko podsvícení/odložení pro aktivaci funkce odložení, která po 5 minutách budík znovu aktivuje. Odložení se může opakovat každých 5 minut. Stisknutím libovolného jiného tlačítka (kromě tlačítka podsvícení/odložení) zrušíte odložení. Budík bude znít 2 minuty, pokud jej dříve nezrušíte.

### **Teplota a vlhkost**

1. Rozsah měření vnitřní teploty: -10 ~ +50 °C / 14 ~ 122 °F .
2. Rozsah měření venkovní teploty: -30 ~ +60 °C / -22 ~ 140 °F .  
Upozornění: Pokud je naměřená hodnota teploty mimo výše uvedený rozsah, na displeji se objeví LL.L °C nebo HH.H °C
3. Rozsah měření vnitřní a venkovní vlhkosti: 1%-99%  
Upozornění: Pokud je naměřená vlhkost mimo výše uvedený rozsah, na displeji se objeví LL% nebo HH%.
4. Přesnost měření teploty: ±1,0 °C v rozsahu od 0 °C do +50 °C / 32 °F ~ 104 °F .  
±1,5 °C mimo výše uvedený rozsah.
5. Přesnost měření vlhkosti: ±5 % (v rozsahu od 40 do 70%), ±8% mimo rozsah
6. Stisknutím tlačítka paměti (MEM) zkontrolujete maximální a minimální naměřené hodnoty, stisknutím a podržením tlačítka paměti (MEM) ručně vymažete data. (Upozornění: Maximální a minimální naměřené hodnoty budou automaticky vymazány každý den v 00:00).
7. Stisknutím tlačítka nastavení (SET) změňte jednotku teploty z °C (stupně Celsia) na °F (stupně Fahrenheita).



### Trend teploty

Šipka vedle teplotních údajů informuje o trendu teploty. Její směr se mění v závislosti na tom, zda je poslední naměřená teplota vyšší nebo nižší než předchozí naměřené hodnoty.

Šipka směřující nahoru = teplota za poslední hodinu stoupla o 1 °C.

Šipka směřující rovně = teplota se za poslední hodinu změnila o méně než 1 °C.

Šipka směřující dolů = teplota za poslední hodinu klesla o 1 °C.

### Animovaná předpověď počasí

Předpověď počasí je založena na shromážděných hodinových údajích o teplotě a vlhkosti z venkovního senzoru. Stanice předpovídá počasí na následujících 12 hodin s přesností 70-75%. Výchozí ikona předpovědi počasí je nastavena na „částečně oblačno“, meteorostanice automaticky zkalibruje předpověď počasí v prvních 1-2 týdnech provozu na základě údajů o teplotě a vlhkosti z venkovního senzoru.

Bezdrátový senzor by měl být umístěn venku, aby získal přesné údaje o teplotě a vlhkosti, v opačném případě to ovlivní přesnost předpovědi počasí.

Předpověď počasí se zobrazí v jedné z následujících kombinací:



SLUNEČNO



POLOJASNO



OBLAČNO



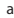
DĚŠT



SNÍH

Vezměte prosím na vědomí, že zařízení předpovídá počasí na základě omezených parametrů a může se lišit od oficiálních předpovědí počasí, které jsou vypočítávány pomocí pokročilých algoritmů.

### Indikátor bodu mrazu

Pokud je venkovní teplota nižší než 3 °C/34 °F, zobrazí se na displeji tento symbol  a stanice vydá varovný signál.

### Řešení problémů

Žádné informace na displeji	<ul style="list-style-type: none"> <li>✧ Zkontrolujte, zda jsou baterie v zařízení správně nainstalovány.</li> </ul>
Teplota z venkovního senzoru se nezobrazuje.	<ul style="list-style-type: none"> <li>✧ Zkontrolujte, zda vzdálenost mezi stanicí a senzorem nepřesahuje 30 m (doporučeno)</li> <li>✧ Ujistěte se, že se stanice a senzor nachází alespoň 2 metry od monitorů a televizorů.</li> <li>✧ Neumísťujte zařízení na kovové rámy oken nebo v jejich blízkosti.</li> <li>✧ Nepoužívejte stanici v blízkosti elektronických zařízení, jako jsou reproduktory, které pracují na stejné frekvenci (433 MHz).</li> <li>✧ Zkontrolujte prosím, zda jsou stanice a bezdrátový venkovní senzor nastaveny na stejný kanál.</li> <li>✧ Vyměňte baterie, chvíli počkejte a poté je znovu vložte.</li> </ul>
Zobrazená teplota je nesprávná.	<ul style="list-style-type: none"> <li>✧ Vyměňte baterie, chvíli počkejte a poté je znovu vložte.</li> <li>✧ Ujistěte se, že stanice nebo senzor není ovlivněn zdroji tepla, klimatizací apod. Nebo je senzor umístěn na místě vystaveném přímému působení slunečních paprsků.</li> </ul>

**Specifikace:**

Zobrazení vnitřní/venkovní teploty

Zobrazení vnitřní/venkovní vlhkosti

Indikace trendu teploty

Záznam Max/Min teploty/vlhkosti během dne

Předpověď počasí na příštích 12-24 hodin

Hodiny (12/24 hodinový formát) a kalendář

Zobrazení dnů v týdnu v 7 jazycích (EN/GE/DA/SP/DU/IT/FR)

Budík s funkcí opakovaného buzení

Bezdrátový venkovní senzor (1 ks součástí balení)

Podpora až 3 venkovních senzorů

LCD displej s podsvícením

Velikost LCD displeje: 61 x 93 mm

Napájení meteostanice: 2 x 1,5V baterie (velikost AAA, součástí balení)

Napájení bezdrátového senzoru: 2 x 1,5V baterie (velikost AA, součástí balení)

Nástěnný věšák/Stojan

IP54 (třída voděodolnosti pro bezdrátový senzor)

Provozní frekvence bezdrátového senzoru: 433,92 MHz

Příkon: 18 mW (meteostanice), 24 mW (bezdrátový senzor)

Rozměry meteostanice: 87 x 25 x 125 mm

Čistá hmotnost meteostanice: 0,134 kg

Rozměry senzoru: 38 x 19 x 100 mm

Čistá hmotnost senzoru: 0,032 kg

**Dôležité informácie**

- Uschovajte tento návod a bezpečnostné informácie pre ich použitie v budúcnosti.
- Nedovoľte, aby na prístroj kvapkala alebo sa lila tekutina.
- Nepoužívajte vo vlhkých miestach, ako napr. kúpeľne.
- Neumiestňujte tento prístroj na nasledujúcich miestach:
  - Vystavených priamemu slnečnému žiareniu alebo blízko radiátorov.
  - Na iné stereofónne zariadenie, ktoré generujú teplo.
  - Blokovať vetranie alebo umiestňovať v prašnom prostredí.
  - V priestoroch vystavených otrasom.
  - V priestoroch s vysokou vlhkosťou.
- Neumiestňujte zariadenie v blízkosti otvoreného ohňa alebo sviečky.
- Zariadenie je možné použiť iba tak, ako je popísané v tomto návode.
- Pred prvým zapnutím sa uistite, že napájanie bolo správne pripojené.

Z bezpečnostných dôvodov neodstraňujte kryty a nesnažte sa dostať dovnútra zariadenia. Prístroj by mal byť opravovaný iba kvalifikovaným servisným personálom. Nerozoberajte zariadenie ani neotvárajte kryt, pretože vo vnútri nie sú žiadne diely, ktoré môžu byť opravené vlastnými silami. Údržbou a opravami zariadení sa zaoberá výhradne kvalifikovaný servisný personál.

**BEZPEČNOSTNÉ POKYNY**

1. Prečítajte si pokyny - pred použitím zariadenia si prečítajte celý návod a bezpečnostné informácie.
2. Tieto pokyny uschovajte - uschovajte návod na použitie pre použitie v budúcnosti.
3. Dodržiavajte varovanie - dodržujte všetky varovania umiestnené na zariadení a v súlade s pokynmi.
4. Dodržiavajte pokyny - postupujte podľa pokynov a návodu pre užívateľa.
5. Inštalácia - nastavte zariadenie podľa pokynov výrobcu.
6. Napájacie zdroje - tento produkt by mal byť napájaný iba zo zdrojov uvedených na označenie na napájacom kábli. Ak si nie ste istí, aký typ napájania máte doma, mali by ste sa obrátiť na svojho predajcu alebo miestneho dodávateľa elektrickej energie.
7. Voda a vlhkosť - aby sa znížilo riziko poruchy alebo úrazu elektrickým prúdom, nevystavujte prístroj pôsobeniu dažďa, vody a vlhkosti, ako napríklad v saune, alebo v kúpeľni. Nepoužívajte toto zariadenie v blízkosti vody, napríklad pri vani, umývadle, kuchynského drezu alebo vane, vo vlhkej pivnici alebo v blízkosti bazéna (alebo na podobných miestach).
8. Objekty a kvapaliny v zariadení - Nevkladajte objekty cez otvory, pretože môžu prísť do styku s bodmi nebezpečného napätia a komponenty, ktoré môžu spôsobiť poruchu alebo úraz elektrickým prúdom. Tekutiny by za žiadnych okolností nemali vniknúť na povrch prístroja. Nekladte žiadne predmety obsahujúce kvapaliny na hornú časť zariadenia.
9. Servis - Nepokúšajte sa o vlastnoručný prehliadky zariadení. Otvorenie krytu môže spôsobiť nebezpečné napätie a vystaviť užívateľia na nebezpečenstvo. Údržbou a opravami zariadení sa zaoberá výhradne kvalifikovaný servisný personál.
10. Náhradné diely - pri výmene dielov, skontrolujte, či zamestnanec servisu použil náhradné diely špecifikované výrobcom, alebo diely rovnaké ako pôvodné. Výmena za neschválenie diely hrozí poruchou, úrazom elektrickým prúdom alebo iným nebezpečenstvom.
11. Maximálna okolitá teplota zariadenia je 35 °C.
12. Pokyny týkajúce sa elektrostatických výbojov - v prípade, že činnosť zariadenia je narušená elektrostatickými výbojmi, vypnite ho a opätovne zapnete alebo premiestnite prístroj do iného miesta.

### 13. Batérie

A. Batérie nesmú byť vystavené nadmernému teplu, ako je slnečné žiarenie, oheň atď

B. Pri likvidácii batérie, venujte pozornosť environmentálnym aspektom.

C. Upozornenia týkajúce sa používania batérií: aby sa zabránilo úniku batérie, čo môže mať za následok zranenie alebo poškodenie zariadenia:

1. Pri vkladaní batérií dbajte na správnu polaritu (+ a -).
2. Nepoužívajte rôzne batérie naraz - staré a nové batérie, štandardné a alkalické atď
3. Vyberte batérie z prístroja, keď nie je používaný po dlhšiu dobu.

### Poznámka o ERP2 (zariadenia súvisiace so spotrebou energie)

Toto zariadenie s ekodizajnom je v súlade s požiadavkami časti 2 nariadenia Komisie (ES) 1275/2008 k smernici 2009/125/ES o spotrebe energie ktorým sa vykonáva smernica Európskeho parlamentu a Rady 2005/32/ES, pokiaľ ide o požiadavky na ekodizajn z hľadiska spotreby elektrickej energie elektrických a elektronických zariadení v domácnosti a kancelárii v pohotovostnom režime a vo vypnutom stave.

### VAROVANIE

Prístroj by nemal byť používaný osobami (vrátane detí) s fyzickým, zmyslovým alebo mentálnym postihnutím a osobami s nedostatočnými znalosťami a skúsenosťami, pokiaľ nie sú pod dohľadom osoby zodpovednej za ich bezpečnosť a neboli poučené, ako bezpečne používať zariadenie. Prítomnosť dospelých je nutná v prípade, že zariadenie obsluhujú deti; to umožní zabezpečenie bezpečnej prevádzky zariadenia.

1. Nikdy nenechávajte zariadenie bežať bez dozoru! Vypnite zariadenie, ak ho nepoužívate, a to aj na krátku dobu.
2. Nepoužívajte prístroj cez externý časovač alebo samostatný systém diaľkového ovládania.
3. Aby sa zabránilo nebezpečenstvu, v prípade poškodenia napájacieho kábla výmenu by mal robiť výrobca, autorizovaný poskytovateľ služieb alebo iná osoba, majúca príslušné kvalifikácie.
4. Pred použitím zariadenia skontrolujte, či napätie zodpovedá napätiu vyskytujúcemu sa v miestnej sieti.
5. Aby nedošlo k poruche alebo k úrazu elektrickým prúdom, nevystavujte zariadenie na horúčavy miesta, na dážď, vlhkosť a prach.
6. Nevystavujte silnému magnetickému poľu.
7. Nekladte zariadenie priamo na zosilňovači alebo prijímači.
8. Nekladte prístroj na vlhka miesta, pretože vlhkosť poškodzuje elektrické súčasti.
9. Prenos zariadení z chladného do teplého prostredia alebo do vlhkého priestoru môže viesť ku kondenzácii vlhkosti na šošovke vo vnútri prehrávača. V takejto situácii, prístroj nebude pracovať správne. Nechajte súčasťou v prístroji po dobu jednej hodiny pre odparovanie vlhkosti.
10. Nečistite zariadenie chemickými rozpúšťadlami, pretože môžu zničiť lak skíně. Prístroj sa čistí čistým suchým alebo mierne vlhkou handričkou.

### POZNÁMKA



Prehlásenie o zhode

Blaupunkt Competence Center 2N-Everpol Sp. z o.o. týmto prehlasuje, že je toto zariadenie v súlade so základnými požiadavkami a ďalšími príslušnými ustanoveniami smernice 2014/53 / EU. Prehlásenie o zhode je možné získať zo stránky produktu na [www.blaupunkt.com](http://www.blaupunkt.com).

Zodpovedná strana: 2N-Everpol Sp. z o.o., Puławska 403A, 02-801 Varšava, Poľsko,

Tel: +48 22 688 08 00, E-mail: [info@everpol.pl](mailto:info@everpol.pl)



Naše produkty sú navrhnuté a vyrobené z vysoko kvalitných materiálov a komponentov, ktoré sú recyklovateľné a znovu použiteľné.



Ak je na výrobku uvedený symbol preškrtnutého kontajneru, znamená to, že výrobok podlieha smernici 2012/19/EU. Informujte sa prosím o miestnom systéme separovaného zberu pre elektrické a elektronické výrobky. Prosím riadte sa miestnymi pravidlami a nelikvidujte staré produkty spolu s bežným komunálnym odpadom. Správnu likvidáciu pomôžete znížiť negatívne následky na životné prostredie a ľudské zdravie.



Výrobok obsahuje batérie, ktoré smernicu 2006/66 / EC nemožno vyhadzovať do bežného domového odpadu. Informujte sa prosím o miestnych pravidlách separovaného zberu batérií, pretože správnu likvidáciu pomôžete predchádzať negatívnym dôsledkom pre životné prostredie a ľudské zdravie.

#### **INFORMÁCIE TÝKAJÚCE SA ŽIVOTNÉHO PROSTREDIA**

Výrobok je zabalený len v nevyhnutnom obale pre jeho ochranu. Snahou našej firmy je, aby bol obalový materiál ľahko rozdeliteľný na tri materiály: kartón (krabica), polystyrénová pena (vypodloženie) a polyetylén (vrecká, ochranná penová pokrývka). Výrobok sa skladá z materiálov, ktoré je možné recyklovať a znovu použiť v prípade demontáže odbornou firmou. Dodržujte prosím miestne predpisy týkajúce sa likvidácie obalových materiálov, vybitých batérií a starého zariadenia.

Na nahrávanie a prehrávanie materiálov môže byť vyžadovaný súhlas. Pozri Zákon o copyrightu Act 1956 a Zákon na ochranu umelcov Sk 1958-1972.

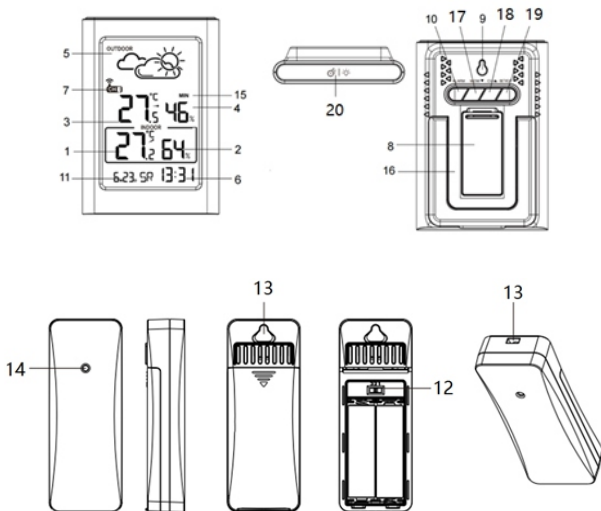
Ďakujeme, že ste si kúpili našu meteostanicu. Tento model má nasledujúce funkcie.

#### Funkcie

- Predpoveď počasia: slnečno, polooblačno, oblačno, dážď, sneh.
- Vnútorná / vonkajšia teplota.
- Vnútorná / vonkajšia vlhkosť.
- Pamäť najnižších a najvyšších nameraných hodnôt vnútornej a vonkajšej teploty a vlhkosti.
- 12/24 formát času, kalendár.
- Budík s funkciou zdriemnutia
- Obsluhuje až 3 externé snímače vysielajúce na rôznych kanáloch (v súbave je 1 snímač)

Pozorne sa oboznámte s touto používateľskou príručkou a dôkladne sa oboznámte s jej obsahom ešte pred spustením zariadenia. Príručku uchovajte pre prípadnú potrebu v budúcnosti.

#### Displej a ovládacie prvky




1. Vnútorná teplota / trend
2. Vnútorná vlhkosť
3. Vonkajšia teplota / trend
4. Vonkajšia vlhkosť
5. Animovaná predpoveď počasia
6. Hodiny
7. Ukazovateľ kanála vonkajšieho snímača
8. Veko priehradky batérií
9. Montážny otvor na zavesenie
- 10-17-18-19: Tlačidlá nastavenia: budík, pamäť (MEM)/dole , kanál (CH)/ hore , SET (nastavenia),
11. Kalendár
12. Prepínač kanála snímača
13. Montážne otvory na zavesenie
14. Kontrolka snímača
15. Údaje o najnižších a najvyšších hodnotách meraní teploty a vlhkosti
16. Skladacia podpera (po rozložení sa dá postaviť na stole)
20. Tlačidlo podsvietenia/zdriemnutia

### Montáž

Otvorte veko priehradky batérií. Vložte do meteostanice 2 batérie typu AAA, a potom do externého snímača vložte 2 batérie typu AA, pričom zachovajte polaritu zobrazenú v priehradke. (Batérie sú v súprave)

Aby ste dosiahli čo najlepší výkon výrobcu, odporúčame, aby ste používali vysokokvalitné alkalické batérie. Neodporúčame, aby ste používali batérie typu „Heavy Duty“ alebo akumulátory (nabíjateľné batérie). Displej meteostanice sa v prípade vybitia batérií vypne. (Približná výdrž nových batérií: 6 mesiacov pre meteostanicu, 12 mesiacov pre externý bezdrôtový snímač. Dané výdrže sú len orientačné, a závisia od mnohých faktorov, ako je typ použitých batérií, výrobca, podmienky ap.).

### Príjem signálu z externého bezdrôtového snímača

Keď sú batérie správne vložené, meteostanica automaticky deteguje a prijíma signál o nameranej vonkajšej teplote a vlhkosti z externého bezdrôtového snímača. Vyhľadávanie signálu trvá navyše 3 minúty. Symbol bezdrôtovej komunikácie (v blízkosti čísla kanálu na displeji)  počas vyhľadávania bliká, a začne svietiť, keď úspešne začne prijímať signál. Ak stanica neprijme signál z externého snímača, ukazovateľ prijímu signálu prestane po 3 minútach blikat/svietiť, a na displeji sa namiesto údajov o vonkajšej teplote a vlhkosti zobrazí nasledujúci symbol: „-“. Keď chcete znova spustiť vyhľadávanie signálu z externého snímača, stlačte a na 3 sekundy podržte tlačidlo „hore“.

### Umiestnenie zariadenia a iné poznámky:

1. Meteostanica môže spolupracovať až s tromi externými bezdrôtovými snímačmi. Keď chcete nastaviť požadovaný kanál snímača, otvorte kryt priehradky batérií, a prepínač kanálov nastavte na požadovanej polohe (na výber sú 3 kanály). Po nastavení prepínača v externom snímači na kanál číslo 1, aj v meteostanici vyberte kanál číslo 1 – stláčaním tlačidla kanálu (Ch)/hore, hore, a vyberte kanál 1. Rovnakým spôsobom spárujte ďalšie voliteľné snímače, na ich pripojenie použite kanál 2 a 3. V súprave je iba 1 externý snímač.
2. Umiestnite a používajte meteostanicu a externý snímač vo vzdialenosti do 1,5 až 2 metre od zdrojov rušenia, ako sú počítačové monitory alebo televízory. Meteostanicu neumiestňujte ani v blízkosti okien s kovovými rámami.
3. Nepoužívajte iné elektronické výrobky, ako sú slúchadlá alebo reproduktory, ktoré pracujú na rovnakej rádiovkej frekvencii (433,92 MHz), pretože môžu vytvárať rušenia. Upozorňujeme, že ak vaši susedia používajú elektronické zariadenia pracujúce na rovnakej rádiovkej frekvencii (433,92 MHz), môžu tiež spôsobovať rušenia.
4. Aby ste zabezpečili presné meranie vnútornej teploty, umiestnite meteostanicu na suché miesto bez nečistôt a prachu. Vyberte miesto chránené pred priamym slnečným žiarením, ako aj pred inými zdrojmi tepla, ako aj v bezpečnej vzdialenosti od rôznych vetracích otvorov.

5. Bezdrôtový snímač môžete umiestniť vonku. Aby boli merania čo najpresnejšie, umiestnite snímač v zvislej polohe, vo výške 1,5 ~ 2 metre od zeme, na mieste chránenom pred zrážkami a s dobrou cirkuláciou vzduchu. Snímač chráňte pred dlhodobým priamym slnečným žiarením.
6. Maximálny pracovný dosah bezdrôtového snímača je 80 metrov od meteostanice, bez prekážok medzi nimi.
7. Bezdrôtový snímač vysiela signál stanici každých 114 sekúnd (kanál 1), 134 sekúnd (kanál 2), 158 sekúnd (kanál 3).

### **Nastavenia kalendára/jazyka/času**

Stlačte a podržte tlačidlo nastavenia na 3 sekundy, kým sa na displeji nezobrazí symbol blikajúceho symbolu ON alebo OFF, stlačte tlačidlo hore alebo dole, zapnite alebo vypnite zvuk tlačidiel, stlačte tlačidlo nastavení (SET), potvrdte výber, a prejdite na nastavenie roka. Opakujte tento postup v rovnakom poradí a nastavte ďalšie parametre: formát kalendára/mesiac/dátum/deň týždňa/jazyk – dostupné sú nasledovné jazyky: GE (nemčina), EN (angličtina), FR (francúzština), IT (taliančina), SP (španielčina), DU (holandčina), DA (dánčina) /formát času/hodiny/minúty. (Stlačte a podržte tlačidlo hore alebo dole, nastavovaná hodnota sa mení rýchlejšie; ak 20 sekúnd nestlačíte žiadne tlačidlo, aktuálne nastavenia sa automaticky uložia, a nastavenia sa zatvoria)

### **Budík a zdiemnutie**

Stlačte a podržte tlačidlo ALARM, aktivujete režim nastavovania budíka, stláčaním tlačidla hore alebo dole, nastavte čas budíka, stláčaním tlačidla ALARM potvrdte nastavenie, následne nastavte minúty budíka, rovnakým spôsobom ako hodiny. Krátko stlačte tlačidlo ALARM, môže skončiť nastavenie budíka, opäť stlačte tlačidlo ALARM môžete aktivovať/deaktivovať budík (Keď je budík nastavený, na displeji je symbol zvončeka, medzi ukazovateľom hodín a minút). Stlačte horné tlačidlo podsvietenia/zdiemnutia, obnovíte zobrazovanie normálneho času. Keď budík začne zvoniť v nastavenom čase, stlačte ľubovoľné tlačidlo (okrem tlačidla podsvietenia/zdiemnutia), vypnete zvuk budíka, a budík sa znovu zapne nasledujúci deň v rovnakom čase. Keď znie budík, krátkym stláčením horného tlačidla podsvietenia/zdiemnutia, aktivujete zdiemnutie, čiže budík sa opäť zapne po 5 minútach. Zdiemnutie môže zapínať každých 5 minút. Stlačte ľubovoľné iné tlačidlo (okrem tlačidla podsvietenia/zdiemnutia), zdiemnutie zrušíte. Keď zvoní budík a nestlačíte žiadne tlačidlo, automaticky sa vypne po 2 minútach.

### **Teplota a vlhkosť**

1. Rozsah merania vnútornej teploty: -10 ~ +50 °C / 14 ~ 122 °F .
2. Rozsah merania vonkajšej teploty: -30 ~ +60 °C / -22 ~ 140 °F .  
Pozor: L.L.L °C alebo H.H.H °C sa na displeji zobrazí, keď je nameraná hodnota teploty mimo vyššie uvedeného rozsahu
3. Rozsah merania vnútornej a vonkajšej vlhkosti: 1 % – 99 %  
Pozor: LL% alebo HH% sa na displeji zobrazí, keď je nameraná hodnota vlhkosti mimo vyššie uvedeného rozsahu
4. Presnosť merania teploty  $\pm 1,0^{\circ}\text{C}$  v rozsahu od  $0^{\circ}\text{C}$  do  $+50^{\circ}\text{C}$  /  $32^{\circ}\text{F}$  ~  $104^{\circ}\text{F}$  .  
 $\pm 1,5^{\circ}\text{C}$  mimo vyššie uvedený rozsah.
5. Presnosť merania vlhkosti:  $\pm 5\%$  (rozsah 40 až 70 %),  $\pm 8\%$  mimo rozsah
6. Stláčením tlačidla MEM (Pamäť) skontrolujete najvyššie a najnižšie hodnoty merania, stláčením a podržaním tlačidla MEM (Pamäť) tieto údaje ručne vymažete. (Pozor: Najvyššie a najnižšie namerané hodnoty sa každý deň automaticky vymažú o 00:00).
7. Ak chcete zmeniť jednotku teploty, stlačte tlačidlo nastavenia (SET): zo °C (stupne Celzia) na F (stupne Fahrenheita).



### Trend teploty

Šípka v blízkosti údajov teploty informuje o trende teploty. Jej smer sa mení podľa toho, či je posledné meranie teploty vyššie alebo nižšie než predchádzajúce meranie.

Šípka smerujúca hore = teplota sa v priebehu poslednej hodiny zvýšila o 1 °C.

Šípka smerujúca priamo = teplota sa v priebehu poslednej hodiny zmenila o menej než 1 °C.

Šípka smerujúca dole = teplota sa v priebehu poslednej hodiny znížila o 1 °C.

### Animovaná predpoveď počasia

Predpoveď počasia je založená na zhromaždených hodinových údajoch o teplote a vlhkosti z externého snímača. Stanica predpovedá poveternostné podmienky na nasledujúcich 12 hodín s presnosťou 70 – 75 %. Predvolený symbol predpovede počasia je nastavený na „polooblačno“, meteostanica automaticky kalibruje predpoveď počasia počas prvých 1 až 2 týždňov používania na základe údajov o teplote a vlhkosti z externého snímača.

Bezdrôtový snímač umiestnite vonku, aby ste získali presné údaje o teplote a vlhkosti, v opačnom prípade to negatívne ovplyvní presnosť predpovede počasia.

Predpoveď počasia sa zobrazí v jednej z nasledujúcich kombinácií:



SLNEČNO



POLOOBLAČNO



OBLAČNO



DÁŽĎ



SNEH

Nezabúdajte, že zariadenie predpovedá počasie na základe obmedzených parametrov a môže sa líšiť od oficiálnych predpovedí počasia, ktoré sa vypočítavajú na základe pokročilých algoritmov.

### Ukazovateľ bodu mrazu

Keď vonkajšia teplota klesne pod 3 °C/34 °F, na displeji sa zobrazí tento symbol



a

**Riešenie problémov**

Žiadne informácie na displeji	<ul style="list-style-type: none"> <li>✧ Skontrolujte, či sú batérie správne vložené v zariadení.</li> </ul>
Teplota z externého snímača sa nezobrazuje.	<ul style="list-style-type: none"> <li>✧ Skontrolujte, či vzdialenosť medzi stanicou a snímačom nepresahuje 30 m (odporúčané).</li> <li>✧ Uistite sa, či stanica a snímač sú vzdialené aspoň 2 m od monitorov a televízorov.</li> <li>✧ Neumiestňujte zariadenia na alebo v blízkosti kovových okenných rámov.</li> <li>✧ Nepoužívajte stanicu v blízkosti elektronických zariadení, ako sú reproduktory, ktoré pracujú na rovnakej frekvencii (433 MHz).</li> <li>✧ Dôkladne skontrolujte, či stanica a externý bezdrôtový snímač majú nastavený rovnaký kanál.</li> <li>✧ Vyberte batérie, chvíľu počkajte, a potom ich znova vložte.</li> </ul>
Zobrazovaná teplota je nesprávna.	<ul style="list-style-type: none"> <li>✧ Vyberte batérie, chvíľu počkajte, a potom ich znova vložte.</li> <li>✧ Uistite sa, či stanica alebo snímač nie sú ovplyvnené zdrojmi tepla, klimatizáciou ap. Alebo je snímač umiestnený na mieste, ktoré je vystavené priamemu slnečnému žiareniu.</li> </ul>

**Špecifikácia:**

Zobrazovanie vnútornej/vonkajšej teploty

Zobrazovanie vnútornej/vonkajšej vlhkosti

Ukazovanie trendu teploty

Uloženie najvyššej/najnižšej teploty/vlhkosti počas dňa

Predpoveď počasia na nasledujúcich 12 – 24 hodín

Hodiny (12/24-hodinový formát) a kalendár

Zobrazovanie dní týždňa v 7 jazykoch (EN/GE/DA/SP/DU/IT/FR)

Budík s funkciou zdiemnutia

Bezdrôtový externý snímač (v súpave 1 ks)

Obsluhuje až 3 externé snímače

LCD displej s podsvietením

Rozmery LCD displeja: 61 x 93 cm

Zdroj napájania meteostanice: 2 x 1,5 V batéria (typ AAA, v súpave)

Zdroj bezdrôtového snímača: 2 x 1,5 V batérie (typ AA, v súpave)

Nástenný vešiak / Stojan

IP54 (trieda vodotesnosti bezdrôtového snímača)

Pracovná frekvencia bezdrôtového snímača: 433,92 MHz

Príkon: 18 mW (meteostanica), 24 mW (bezdrôtový snímač)

Rozmery meteostanice: 87 x 25 x 125 cm

Čistá hmotnosť meteostanice: 0,134 kg

Rozmery snímača: 38 x 19 x 100 cm

Čistá hmotnosť snímača: 0,032 kg

### Fontos információk

- Tartsa meg a használati útmutatók későbbi kérdések esetében
- Kerülje a készülék vízzel vagy nedvességgel történő érintkezését
- Ne telepítse a készüléket az alábbi helyeken:
- Kerülje a berendezés közvetlen napfényvel vagy szokatlanul sok porral történő érintkezését.
- Ne helyezzen semmilyen más melegítő készülékek a berendezés mellett.
- A készülék helye ne legyen folyamatosan rezgő helyeken.
- A készülék helye ne legyen magas páratartalmú helyiségben.
- Ne helyezzen nyílt láng vagy gyertyák mellett.
- Berendezések csak kézikönyv szerint használható.
- A berendezés bekapcsolása előtt, győződjön meg róla, hogy az áramellátás megfelelően csatlakozik.

A hátoldalon és a készülék oldalán található légnyílások maradjanak szabadon. Soha ne próbálja meg a hibás készüléket megjavítani, minden esetben forduljon ügyfélszolgálatához. Ne nyissa fel a készüléket - ezt csak szakember teheti meg.

### BIZTONSÁGI UTASÍTÁSOK

1. Olvassa el az utasításokat - figyelmesen olvassa el a biztonsági utasításokat.
  2. Tartsa meg az útmutatót - későbbiekben felmerülő kérdések esetére tartsa meg a biztonsági utasításokat.
  3. Vegye figyelembe a figyelmeztetéseket - Vegye figyelembe a használati figyelmeztetéseket és utasításokat.
  4. Vegye figyelembe az utasításokat - Vegye figyelembe a használati figyelmeztetéseket és utasításokat.
  5. Üzembevétel – Utasítások szerint ügyeljen.
  6. Áramforrás - A készüléket csatlakoztassa csak a normál hálózati feszültséghez. Ha a felhasználó nem biztos abban, milyen típusú tápegysége van a házban, akkor forduljon a forgalmazóhoz vagy a helyi áramszolgáltatóhoz.
  7. Víz és nedvesség - Tűzveszély és egy esetleges áramütés elkerülése végett, a készüléket ne tegye ki esőnek vagy nedvességnek. A berendezést ne használja fürdőakadák, úszómedencék vagy fröcskölő vízforrás közelében.
  8. Tárgyak és folyadékok a készülék - Idegen tárgyak nem tegyen be a készülékbe mert feszültség alatt lévő pontokat és alkatrészeket érinthetnek, ami tüzet vagy áramütést okozhat. Ne helyezzen folyadékkal telt tárolóedényeket a készülékre.
  9. Szerviz - Soha ne próbálja meg a hibás készüléket megjavítani, minden esetben forduljon ügyfélszolgálatához. Ne nyissa fel a készüléket - ezt csak szakember teheti meg. A karbantartási munkákat hagyja szakképzett személyzetre. Egyéb esetekben magát és másokat is veszélyeztet.
  10. Pótalkatrészek - Alkatrészek cseréjekor ellenőrizze, hogy a szolgálati munkavállaló használt pótalkatrészeket a gyártó által meghatározott, vagy ugyanilyenek, mint az eredeti rész. Nem engedélyezett részek esetében tűz, áramütés vagy egyéb veszély veszélye van.
  11. A készülék maximális környezeti hőmérséklete 35 °C.
  12. Irányelvek az elektrosztatikus kislésről – ha a készülék működése zavarban van az elektrosztatikus kislés miatt, ki kell kapcsolni és újrapcsolni vagy más helyre mozdulni.
  13. Batérie
- A. Batérie nesmú byť vystavené nadmernému teplu, ako je slnečné žiarenie, oheň atď  
 B. Pri likvidácii batérie, venujte pozornosť environmentálnym aspektom.  
 C. Upozornenie týkajúce sa používania batérii: aby sa zabránilo úniku batérie, čo môže mať za následok zranenie alebo poškodenie zariadenia:

1. Pri vkladání batérií dbajte na správnu polaritu (+ a -).
2. Nepoužívajte rôzne batérie naraz - staré a nové batérie, štandardné a alkalické atď
3. Vyberte batérie z prístroja, keď nie je používaný po dlhšiu dobu

### ERP2-ről megjegyzések (energiával kapcsolatos eszközök)

Ez a készülék ökoprojekttel megfelel a 2. szakasz bizottsági rendelet (EC) No 1275/2008 irányelvet átültető 2009/125/EK energiafogyasztásról a fogyatékkal élő és működő készenléti üzemmódban elektronikus eszközökről irodában és házban.

### FIGYELEM

A készüléket nem használhatják olyan személyek (beleértve a gyerekeket), akik testi, érzékszervi vagy szellemi fogyatékoságtól szenvednek és az elégtelen tudású és tapasztalatú is, ha a felelős személy nem felügyeli és nem kapták elég információ a készülékről. Felnőttek jelenlétére szüksége van ha a gyerekek használják a készüléket. Ez biztosítja a biztonságos használatát.

1. Soha ne hagyja a gépet felügyelet nélkül! Kapcsolja ki készüléket, ha nem használ, bár egy rövid ideig.
2. Ne használja a készüléket egy külső órajel időzítővel, vagy egy külön távvezérlő rendszerrel.
3. Kockázatának elkerülése érdekében a a tápkábél megsérülése esetében, a cserét gyártónak kell végezni, meghatalmazott szolgáltató, vagy más személy aki rendelkezik megfelelő képesítéssel.
4. Mielőtt használatba venné a készüléket, ellenőrizze, hogy a hálózati feszültség megegyezik a feszültséggel előforduló helyi hálózatban.
5. Tűzveszély és egy esetleges áramütés elkerülése végett, a készüléket ne tegye ki esőnek vagy nedvességnek.
6. Ne tegye ki erős mágneses mezőre.
7. Ne helyezze a készüléket közvetlenül az erősítőn vagy vevőn.
8. Ne helyezze a készüléket párás helyen, mert a nedvességnek hátrányos hatása van az elektromos alkatrészekre.
9. A készülék hozása a hideg helyről meleg vagy nedves helyre páralecsapódás a lencsén a lejátszó belsejében történhet. Ebben az esetben a készülék nem helyesen működhet. Hagyja a gépet bekapcsolva körülbelül egy óráig, hogy lehetővé tegye a nedvesség párolgást.
10. Ne tisztítsa a készüléket kémiai oldószerekkel, a készülék lakk megsemmisítése miatt. Az eszköz tiszta, száraz vagy enyhén nedves ruhával tisztítható.

### FIGYELEM



#### Megfelelőség

A Blaupunkt Competence Center 2N-Everpol Sp. z o.o. kijelenti, hogy ez a készülék megfelel a 2014/53/EU irányelv alapvető követelményeink és más vonatkozó rendelkezéseinek. A megfelelőségi nyilatkozat a termék honlapjáról szerezhető be: [www.blaupunkt.com](http://www.blaupunkt.com).

Felelős fél: 2N-Everpol Sp. z o.o., Puławska 403A, 02-801 Varsó, Lengyelország, telefon: +48 22 688 08 00, e-mail: [info@everpol.pl](mailto:info@everpol.pl)



A termék kiváló minőségű anyagokból és alkatrészekből áll, újrahasznosíthatók és újra felhasználhatók.



Ha a készüléken az áthúzott szeméttároló van, azt jelenti, hogy a termék 2012/19/EU számú európai uniós irányelv megkívánja. Kérjük, olvassa el a követelmények a helyi rendszerről a hulladék elektromossal és elektronikus berendezésekkel kapcsolatos. Helyi követelmények szerint csinálni kell. Ne dobja a terméket a normál háztartási szeméttel. Megfelelő a régi termék ártalmatlanítása segít megelőzni a lehetséges negatív következményeket a környezetre és az emberi egészségre.



A készülék fel van szerelve akkumulátorral ami megfelel a 2006/66/EC európai irányelv követelményeinek. Ne dobja az elemet a normál háztartási szeméttel. Kérjük, olvassa el a követelmények a helyi rendszerről a hulladék elektromossal és elektronikus berendezésekkel kapcsolatos. Helyi követelmények szerint csinálni kell. Ne dobja a terméket a normál háztartási szeméttel.

### **Információk a környezetvédelemről**

A csomag csak a szükséges elemeket tartalmaz. Minden erőfeszítést tettek, hogy a csomagolóanyag három összetevője könnyen elkülönített legyen: karton (doboz), polisztirol (belső biztonság) és polietilén (zacskó, védő lap). A készülék olyan anyagból készült, melyek újrahasznosíthatók és szétszerelhetőek. Kérjük, olvassa el a követelmények a helyi rendszerről a hulladék elektromossal és elektronikus berendezésekkel kapcsolatos.

Felvételhez és lejátszáshoz engedélyre van szükség. Lásd a szerzői jogi törvényt, valamint az előadók / művészek jogairól.

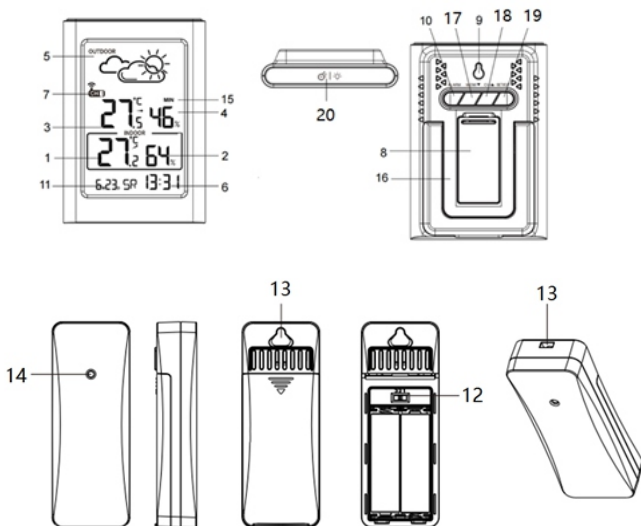
Köszönjük, hogy megvásárolta időjárásjelző állomásunkat. Ez a modell a következő funkciókkal rendelkezik.

### Funkciók

- Időjárás-előrejelzés: napos, részlegesen felhős, borult, eső, hó.
- Beltéri / kültéri hőmérséklet.
- Beltéri / kültéri páratartalom.
- A belső és külső hőmérséklet és páratartalom mérések minimális és maximális értékeinek memóriája.
- 12/24 órás óra üzemmód, naptár.
- Riasztás szundi funkcióval
- Legfeljebb 3 külső érzékelő támogatása különböző csatornákon (a készletben csak 1 érzékelő van)

Kérjük, a gép elindítása előtt figyelmesen olvassa el ezt a használati útmutatót. A használati útmutatót későbbi igénybevétel céljából őrizze meg.

### Kijelző és vezérlő elemek




- |  |                                   |
|--|-----------------------------------|
| 1. Beltéri hőmérséklet / trend   | 2. Beltéri páratartalom           |
| 3. Külső hőmérséklet / trend   | 4. Külső páratartalom             |
| 5. Animált időjárás-előrejelzés  | 6. Óra                            |
| 7. Külső érzékelő csatornájának kijelzése  | 8. Akkumulátortartó fedele        |
| 9. Rögzítőfurat felakasztáshoz   |                                   |
| 10-17-18-19: Beállító gombok: riasztás, memória (MEM)/le, csatorna (CH)/ fel, beállítások (SET), | 11. Naptár                        |
| 12. Érzékelő csatorna kapcsoló   | 13. Rögzítőfuratok felakasztáshoz |
| 14. Érzékelő ellenőrző lámpája   |                                   |
| 15. A hőmérséklet és páratartalom mérések minimális és maximális értékeinek adatai               |                                   |
| 16. Összecsukható támaszték (nyissa ki az asztalra helyezéshoz)                                  |                                   |
| 20. Háttérvilágítás/szundi gomb  |                                   |

### Csatlakoztatás

Nyissa ki az akkumulátortartó fedelét. Helyezzen be 2 AAA akkumulátort az időjárásjelző állomásba, majd helyezzen 2 AA akkumulátort a külső érzékelőbe a kamrán feltüntetett polaritásnak megfelelően. (A készlet tartalmazza az akkumulátort)

A legjobb teljesítmény elérése érdekében javasoljuk kiváló minőségű alkáli akkumulátorok használatát. „Heavy duty” elemek vagy akkumulátorok használata nem ajánlott. Az akkumulátor lemerülésekor az időjárásjelző állomás kijelzője kikapcsol. (Az új akkumulátor hozzávetőleges üzemideje: 6 hónap az időjárásjelző állomásban, 12 hónap a külső vezeték nélküli érzékelőben. A megadott üzemidő csak becslés, és számos tényezőtől függ, mint például a használt akkumulátorok típusa, a gyártó, a munkakörülmények stb.)

### Külső, vezeték nélküli érzékelő jelének fogadása

Ha az akkumulátor megfelelően van behelyezve, az időjárásjelző állomás automatikusan észleli és fogadja a külső hőmérséklet és páratartalom mérés jelét egy külső, vezeték nélküli érzékelőtől. A jel megkeresése legfeljebb 3 percet vesz igénybe. Keresés közben a vezeték nélküli szimbólum (a közeli csatorna a kijelzőn  villog a kijelzőn, a jel sikeres fogadása után pedig stabilizálódik. Ha az állomás nem kap jelet egy külső érzékelőtől, 3 perc elteltével eltűnik a vétel jelzése, és a hőmérséklet, valamint a külső páratartalom adatai helyett a következő szimbólum jelenik meg a kijelzőn: „-”. A külső érzékelőtől érkező jel keresésének újbóli engedélyezéséhez nyomja le és tartsa lenyomva a „fel” gombot 3 másodpercig.

### A készülék elhelyezése és egyéb megjegyzések:

1. Az időjárásjelző állomás akár három külső vezeték nélküli érzékelővel is működhet. A kívánt érzékelő csatorna beállításához nyissa ki az akkumulátor fedelét, és állítsa a csatornkapcsolót a megfelelő helyzetbe (3 csatorna közül választhat). Miután a külső érzékelőben az 1-es csatornára állította a kapcsolót, válassza ki az időjárásjelző állomás 1-es csatornáját is – az 1-es csatorna kiválasztásához nyomja meg a csatorna (CH)/fel gombot. Ugyanazzal a módszerrel két további opcionális érzékelő párosítható a 2-es és a 3-as csatornán. A készletben csak 1 külső érzékelő van.
2. Kérjük, hogy az időjárásjelző állomást és a külső érzékelőt az interferenciaforrásoktól, például a számítógép-monitoroktól vagy a televízióktól 1,5~2 méterre helyezze el és használja. Az időjárásjelző állomást a fémkeretes ablakoktól távol kell elhelyezni.
3. Ne használjon más elektronikus terméket, például fejhallgatót vagy hangszórót, amely ugyanazon a jelfrekvencián (433,92 MHz) működik, mivel interferenciát okozhat. Kérjük, vegye figyelembe, hogy ha a szomszédai azonos frekvencián (433,92 MHz) működő elektronikus eszközöket használnak, az interferenciát okozhat a megfelelő működésben.

4. A beltéri hőmérséklet pontos méréséhez helyezze az időjárásjelző állomást száraz, szennyeződésektől és portól mentes helyre. Válasszon egy helyet közvetlen napfénytől és más hőforrásoktól, valamint szellőzőnyílásoktól távol.
5. A vezeték nélküli érzékelő kültéren is telepíthető. A mérés lehető legjobb pontossága érdekében az érzékelőt állítsa függőleges helyzetbe, legalább 1,5 ~ 2 méterre a talajtól, esőtől védett és jó légáramlással rendelkező helyre. Ne tegye ki az érzékelőt hosszú ideig közvetlen napsugárzásnak.
6. A vezeték nélküli érzékelő maximális üzemi távolsága 80 méter az időjárás-jelző állomástól, amennyiben nincsenek közbenső akadályok.
7. A vezeték nélküli érzékelő jele 114 másodpercenként (1. csatorna), 134 másodpercenként (2. csatorna), 158 másodpercenként (3. csatorna) érkezik az állomásra.

### Naptár/nyelv/óra beállításai

Nyomja meg és tartsa lenyomva a beállítás (SET) gombot 3 másodpercig, amíg a villogó BE vagy KI szimbólum meg nem jelenik a kijelzőn, nyomja meg afel vagy le gombot a gombok hangjának be- vagy kikapcsolásához, nyomja meg a beállítás (SET) gombot a kiválasztás megerősítéséhez és a továbblépéshez az év beállításához. A további paraméterek beállításához ismétlje meg ezeket a lépéseket ugyanabban a sorrendben, mint például: naptár formátuma/hónap/dátum/a hét napjai/nyelv – elérhető nyelvek: GE (német), EN (angol), FR (francia), IT (olasz), SP (spanyol), DU (holland), DA (dán) /óra/perc formátum. (A beállítás felgyorsításához nyomja meg és tartsa lenyomva a fel vagy a le gombot; automatikusan menti az aktuális beállításokat, és kilép belőlük, ha 20 másodpercen belül nem nyom meg semmilyen gombot)

### Riasztás és szundi

Nyomja meg és tartsa lenyomva a RIASZTÁS (ALARM) gombot a riasztás beállítási módjának aktiválásához, nyomja meg a fel vagy le gombot a riasztás idejének beállításához, nyomja meg a RIASZTÁS gombot a kiválasztás megerősítéséhez, és lépjen a riasztási időpont percének beállítására, amely ugyanúgy történik, mint az óra beállítása. A RIASZTÁS gomb rövid megnyomásával befejeződik a riasztás beállítása, a RIASZTÁS gomb újbóli megnyomásával aktiválható/deaktiválható a riasztás (az ébresztést az óra és a perc között megjelenő csengő ikon jelzi). Nyomja meg a felső háttérvilágítás/szundi gombot, hogy visszatérjen az óra kijelzőjére.

Amikor a beállított időpontban megszólal a riasztás, nyomja meg bármelyik gombot (a háttérvilágítás /szundi gomb kivételével) a riasztási hang törléséhez, és a riasztás a következő napon ugyanabban az időpontban ismét megszólal. Amíg a riasztás tart, nyomja meg röviden a háttérvilágítás/szundi gombot a szundi funkció aktiválásához, amely 5 perc elteltével újraindítja a riasztást. A szundi 5 percenként ismétlődhet. Nyomja meg bármelyik másik gombot (kivéve a háttérvilágítás/szundi gombot) a szundi törléséhez. A riasztási hang 2 percig szól, ha nem törli korábban.

### Hőmérséklet és páratartalom

1. Belső hőmérséklet mérési tartománya: -10 ~ +50 °C / 14 ~ 122 °F .

2. Külső hőmérséklet mérési tartománya: -30 ~ +60 °C / -22 ~ 140 °F .

Figyelem: LL.L °C vagy HH.H °C jelenik meg a kijelzőn, ha a mért hőmérséklet értéke a fenti tartományon kívül esik

3. A belső és külső páratartalom mérési tartománya: 1%-99%

Figyelem: LL% vagy HH% jelenik meg a kijelzőn, ha a mért páratartalom a fenti tartományon kívül esik

4. Hőmérsékletmérés pontossága: ±1,0°C a 0°C és +50°C / 32°F ~ 104°F közötti tartományban.



$\pm 1,5^{\circ}\text{C}$  a fenti tartományon kívül.

5. Páratartalom-mérés pontossága:  $\pm 5\%$  (40-70% tartományban),  $\pm 8\%$  tartományon kívül

6. Nyomja meg a memória (MEM) gombot a maximális és minimális mérési értékek ellenőrzéséhez, nyomja meg és tartsa lenyomva a memória (MEM) gombot az adatok manuális törléséhez. (Figyelem: A maximális és minimális mérési értékek minden nap 00:00 órákor automatikusan törlődnek).

7. Nyomja meg a beállítások (SET) gombot a hőmérséklet mértékegységének megváltoztatásához:  $^{\circ}\text{C}$  (Celsius fok) -ról  $^{\circ}\text{F}$  (Fahrenheit fok) -ra.

### Animált időjárás-előrejelzés

Az időjárás-előrejelzés a külső érzékelő által gyűjtött óránkénti hőmérsékleti és páratartalmi adatokon alapul. Az állomás a következő 12 órára 70-75%-os pontossággal előrejelzi az időjárás viszonyokat. Az alapértelmezett időjárás-előrejelzés ikon „részleges felhőtakaróként” van beállítva, az időjárás-jelző állomás automatikusan kalibrálja az időjárás-előrejelzést a működés első 1-2 hetében a külső érzékelő hőmérsékleti és páratartalmi adatai alapján.

A pontos hőmérsékleti és páratartalmi adatok érdekében a vezeték nélküli érzékelőt a szabadban kell elhelyezni, ellenkező esetben az időjárás-előrejelzés pontatlan lesz.

Az időjárás-előrejelzés a következő kombinációk egyikében jelenik meg:



NAPOS



RÉSZLEGESEN FELHŐS



BORULT



ESŐ



HÓ

Felhívjuk figyelmét, hogy a készülék az időjárást korlátozott paraméterek alapján jelzi, ez eltérhet a hivatalos időjárás-előrejelzésektől, amelyeket speciális algoritmusok alapján számítanak ki.

### Fagyjelző

Amikor a külső hőmérséklet  $3^{\circ}\text{C}/34^{\circ}\text{F}$  alá csökken, és az állomás figyelmeztető jelet bocsát ki.



szimbólum jelenik meg a kijelzőn

**Problémamegoldás**

Nincsenek információk a kijelzőn	<ul style="list-style-type: none"> <li>✧ Ellenőrizze, hogy az akkumulátorok megfelelően vannak-e behelyezve a készülékbe.</li> </ul>
A külső érzékelő hőmérséklete nem jelenik meg.	<ul style="list-style-type: none"> <li>✧ Ellenőrizze, hogy az állomás és az érzékelő közötti távolság nem haladja meg a 30 métert (ajánlott)</li> <li>✧ Győződjön meg arról, hogy az állomás és az érzékelő legalább 2 méterre van a monitoroktól és a televíziókészülékektől.</li> <li>✧ Ne helyezzen eszközöket fém ablakkeretekre vagy azok közelébe.</li> <li>✧ Kerülje az állomások használatát olyan elektronikus eszközök közelében, mint például az azonos frekvencián (433 MHz) működő hangszórók.</li> <li>✧ Kérjük, gondosan ellenőrizze, hogy az állomás és a külső, vezeték nélküli érzékelő ugyanazon a csatornán van-e.</li> <li>✧ Vegye ki az akkumulátorokat, várjon egy pillanatot, majd helyezze vissza őket.</li> </ul>
A kijelzett hőmérséklet helytelen.	<ul style="list-style-type: none"> <li>✧ Vegye ki az akkumulátorokat, várjon egy pillanatot, majd helyezze vissza őket.</li> <li>✧ Győződjön meg arról, hogy az állomást vagy az érzékelőt nem befolyásolják-e hőforrások, légkondicionálók stb. Vagy a szenzor olyan helyen található, ahol közvetlen napsugárzás érheti.</li> </ul>

**Műszaki adatok:**

A beltéri/kültéri hőmérséklet kijelzése

A beltéri/kültéri páratartalom kijelzése

Hőmérséklet trend jelzése

Maximális/Minimális hőmérséklet/páratartalom mentése napközben

Időjárás-előrejelzés a következő 12-24 órára

Óra (12/24 órás formátumban) és naptár

Hétköznapok megjelenítése 7 nyelven (EN/GE/DA/SP/DU/IT/FR)

Riasztás szundi funkcióval

Vezeték nélküli, külső érzékelő (1 db)

Legfeljebb 3 külső érzékelő támogatása

LCD kijelző háttérvilágítással

LCD kijelző mérete: 61 x 93 mm

Időjárásjelző állomás áramforrása: 2 x 1,5 V akkumulátor (AAA méret, mellékelve)

Vezeték nélküli érzékelő áramforrása: 2 x 1,5 V akkumulátor (AA méret, mellékelve)

Falikar/Állvány

IP54 (a vezeték nélküli érzékelő vízállósági osztálya)

Vezeték nélküli érzékelő üzemi frekvenciája: 433,92 MHz

Áramfelvétel: 18 mW (időjárásjelző állomás), 24 mW (vezeték nélküli érzékelő)

Időjárásjelző állomás méretei: 87 x 25 x 125 mm

Az időjárásjelző állomás nettó súlya: 0,134 kg

Érzékelő méretei: 38 x 19 x 100 mm

Érzékelő nettó súlya: 0,032 kg

### Važne informacije

- Sačuvajte operativne upute i sigurnosne informacije kako bi se ih moglo koristiti u budućnosti.
- Nemojte dopustiti da na uređaj kapa ili proliva se bilo koja tekućina.
- Ne smije se također koristiti na vlažnim mjestima, kao što su npr. kupaonica.
- Ne postavljajte uređaj na sljedećim mjestima:
- Izložen suncu ili blizu grijalica.
- Na vrh druge stereo opreme koja generira toplinu.
- Tako da blokira ventilaciju ili u prašnjavom mjestu.
- U okružju izloženom neprekidnim vibracijama.
- U područjima visoke vlage.
- Ne postavljajte uređaj blizu otvorenog plamena ili otvorene vatre.
- Uređaj se može koristiti samo na način opisan u ovim uputama.
- Prije prvog uključivanja napajanja, pobrinite se da je napajanje ispravno pripojeno.
- 

Iz sigurnosnih razloga, nemojte skidati poklopce ili pristupiti unutrašnjosti uređaja. Uređaj smije popravljati samo kvalificirano servisno osoblje.

Nemojte rastavljati uređaj ili otvarati njegovo kućište, jer unutra nema dijelova koje bi se moglo popraviti od strane korisnika. ržavanje i popravak opreme izvrši isključivo kvalificirano servisno osoblje.

### Sigurnosne upute

1. Pročitajte upute - prije uporabe stroja, pročitajte sve upute i informacije o sigurnosti.
2. Sačuvajte ove upute - zadržite upute za upotrebu i održavanje kako bi se ih moglo koristiti u budućnosti.
3. Poštujte upozorenja - slijedite sva upozorenja objavljena na uređaju te koje se nalaze u uputama.
4. Slijedite upute - slijedite upute i preporuke za korisnike.
5. Montaža - montirajte uređaj prema uputama proizvođača.
6. Izvori energije - uređaj treba napajati samo iz izvora koji je naveden na naljepnicama na kabelu napajanja. Ako niste igurni koju vrstu napajanja ima vaša kuća, obratite se prodavatelju ili lokalnoj energetskej tvrtki.
7. Voda i vlaga - kako bi se smanjio rizik od požara ili električnog udara, nemojte izlagati uređaj kiši, vlazi i vodi, na primjer u sauni ili u kupaonici. Ne koristite ovaj proizvod u blizini vode, primjerice blizu kade, umivaonika, sudopera ili kade za pranje rublja, u vlažnom podrumu ili blizu bazena (ili u drugim sličnim mjestima).
8. Ulaz predmeta i tekućine - nikada ne otipajte predmete bilo koje vrste u ovaj proizvod kroz otvore, jer mogu dodirivati opasne tačke napona ili delove kratkog spoja koji mogu dovesti do požara ili električnog udara. Nikada ne prosipajte tečnost bilo koje vrste na proizvodu. Nemojte postavljati bilo koji predmet koji sadrži tečnost na vrhu proizvoda.
9. Servisiranje - ne pokušavajte pogledati unutrašnjost uređaja sami. Otvaranje poklopca može uzrokovati opasne napone i izložiti vas drugim opasnostima. Održavanje i popravak opreme vrši isključivo kvalificirano servisno osoblje.
10. Rezervni dijelovi – tijekom zamjene dijelova, treba provjeriti dla li servisera je koristio rezervne dijelove koje preporučuje proizvođač ili dijelove koje su identične originalnim dijelom. Izrada zamjene neodobrenih rezervnih dijelova ugrožava od požara, strujnog udara ili drugih opasnosti.
11. Maksimalna temperatura okoline uređaja je 35°C
12. Savjeti za elektrostatička pražnjenja - ako se rad prekine zbog elektrostatičkog pražnjenja, isključite uređaj ponovno ili premjestiti ga na drugo mjesto.

### 13. Baterija

- Baterije se ne smije izlagati pretjeranoj toplini, npr. suncu, vatri i sličnim uvjetima.
- Kod zbrinjavanja baterije, obratite pažnju na aspekte okoliša.
- Ponašajte se oprezno tijekom korištenjem baterija: kako bi se spriječio curenje baterije, koje može uzrokovati ozljede ili oštećenja na uređaju:
  - Pri umetanju baterija obratite pažnju na polaritet (+ i -).
  - Nemojte koristiti različite baterije u isto vrijeme - stare i nove, alkalne baterije, standardne it
  - Izvadite baterije iz uređaja kad se ga neće koristiti duže vrijeme.

### UPOZORENJE

Uređaj ne smije biti korišten od strane osoba (uključujući djecu) sa smanjenim fizičkim, osjetilnim ili mentalnim sposobnostima te osoba s nedovoljnim znanjem i iskustvom, ako nisu one pod nadzorom osobe odgovorne za njihovu sigurnost i nisu obučeni o tome kako sigurno koristiti uređaj. Prisutnost odraslih je potrebna ako uređaj koriste djeca; ovo će osigurati sigurnu uporabu uređaja.

- Nikada ne ostavljajte stroj da radi bez nadzora! Isključite uređaj kada nije u uporabi, čak i za kratko vrijeme.
- Uređaj se ne može upravljati putem vanjskog sata s timerom, ili posebnim sustavom daljinskog upravljanja.
- Da bi se izbjegla opasnost u slučaju štete za zamjenu kabela napajanja treba se obratiti proizvođaču, ovlaštenom servisu ili drugim stručnim osobama.
- Prije uporabe uređaja, provjerite je li napon odgovara naponu koji je nastao u mrežnom naponu.
- Kako biste spriječili požar ili strujni udar, uređaj mora biti zaštićen od žarišta, kiše, vlage i prašine.
- Nemojte da uređaj izlažite jakim magnetskim poljima.
- Nemojte da uređaj stavljajte izravno na pojačalu ili prijammniku.
- Ne postavljajte uređaj na vlažnom mjestu, jer vlaga ima štetan učinak na električne komponente.
- Dovođenje uređaja iz hladnog u toplo vlažnom mjestu može uzrokovati kondenzaciju na leći unutar playera. U ovom slučaju, uređaj neće raditi ispravno. Uređaj se mora ostaviti uključen oko jedan sat kako bi se omogućilo isparavanje vlage.
- Izbjegavajte korištenje kemijskih otapala, jer mogu oštetiti boju kućišta. Uređaj se obriše čistom, suhom ili vlažnom krpom.

### NAPOMENA



#### Izjava

Niže navedenim Blaupunkt Competence Center 2N-Everpol Sp. z o.o. izjavljuje da je ovaj proizvod u skladu sa zahtjevima i drugim relevantnim odredbama Direktive 2014/53/EU. Za potpunu Izjavu o sukladnosti posjetite stranicu [www.blaupunkt.com](http://www.blaupunkt.com) na kartici proizvoda. Odgovorni subjekt: 2N-Everpol Sp. Z o.o.

Puławska 403A, 02-801 Varšava, Poljska

Telefon: +48 22 688 08 00, e-mail: [info@everpol.pl](mailto:info@everpol.pl)



Proizvod je izrađen od visokokvalitetnih materijala i dijelova koji se mogu reciklirati i ponovo upotrijebiti.



Ako vaš uređaj ima znak prekrížene kante za otpatke, ovo označava da je proizvod pokriven odredbama Europske direktive 2012/19/EU. Molimo poštuje zahtjeve lokalnog sustava za prikupljanje električnog otpada i elektroničke opreme. Radite u skladu s lokalnim propisima. Ne bacajte ovaj proizvod zajedno s kućnim otpadom. Ispravnim odlaganjem starog proizvoda spriječit ćete potencijalne negativne posljedice na okoliš i zdravlje ljudi.



Uređaj je opremljen sa baterijama obuhvaćenim Europskom direktivom 2006/66/EC. Baterije se ne smije odlagati zajedno s komunalnim otpadom. Molimo pogledajte lokalne propise o zasebnom prikupljanju baterija jer ispravnim odlaganjem spriječit ćete potencijalne negativne posljedice na okoliš i zdravlje ljudi.

### Informacije o zaštiti okoliša

Paket uključuje samo nužne komponente. Svaki napor je napravljen da bit tri sastavni komponenti paketa lako odvojili: karton (kutija), polistirenska pjena (zaštita unutra) i polietilen (vrećica, zaštitna folija). Uređaj je izrađen od materijala koje se može reciklirati i ponovo upotrijebiti nakon demontaže od strane specijalizirane tvrtke. Poštujte lokalne propise o raspolaganju iskorišćenih ambalažnih materijala, baterija i nepotrebne opreme. Snimanje i reprodukcija materijala može zahtijevati pristanak. Vidi Zakon o autorskim pravima i prava izvođača/umjetnika.

### Napomena o ERP2 (oprema koja se odnosi na energiju)

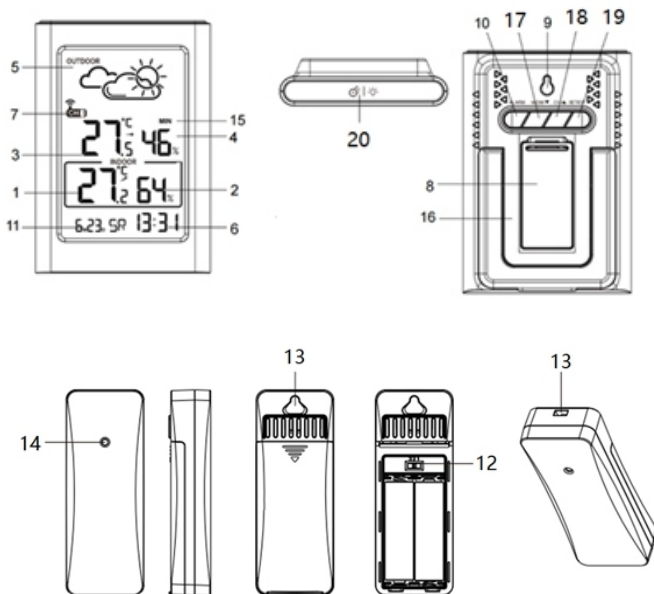
Ovaj ekodizajnirani uređaj zadovoljava zahtjeve 2. faze Uredbe Komisije (EZ) br. 1275/2008 kojom se provodi Direktivu 2009/125/EZ o potrošnji energije od strane isključenih i elektroničkih uređaja ili uređaja u modu čekanja za uredsku i kućnu uporabu.

Zahvaljujemo što ste kupili našu meteorološku stanicu. Ovaj model ima sljedeće funkcije.

### Funkcije

- remenska prognoza: sunčano, djelomično oblačno, oblačno, kiša, snijeg.
  - Unutarnja/vanjska temperatura.
  - Unutarnja / vanjska vlažnost.
  - Memorija minimalnih i maksimalnih vrijednosti mjerenja unutarnje i vanjske temperature i vlage.
  - 12/24 satni način rada, Kalendar.
  - Alarm s funkcijom odgode
  - Podrška za do 3 vanjska senzora koji rade na različitim kanalima (samo 1 senzor uključen)
- Pažljivo pročitajte i razumite ovaj priručnik prije puštanja uređaja u rad. Molimo sačuvajte ovaj priručnik za buduću upotrebu.

### Zaslon i kontrole




- |  |                                  |
|--|----------------------------------|
| 1. Unutarnja temperatura / trend   | 2. Unutarnja vlažnost            |
| 3. Vanjska temperatura / trend   | 4. Vanjska vlažnost              |
| 5. Animirana vremenska prognoza  | 6. Sat                           |
| 7. Indikator kanala vanjskog senzora   | 8. Poklopac odjeljka za baterije |
| 9. Montažni otvor za vješanje  |                                  |
| 10-17-18-19: Gumbi za podešavanje: alarm, memorija (MEM) / dolje, kanal (CH) / gore, postavke (SET), |                                  |
| 11. Kalendar   |                                  |
| 12. Prekidač kanala senzora  | 13. Montažne rupe za vješanje    |
| 14. Svjetlo indikatora senzora   |                                  |
| 15. Podaciminimalne i maksimalne vrijednosti mjerenja temperature i vlažnosti                        |                                  |
| 16. Sklopivi stalak (rasklopi se da stoji na stolu)  | 20. Gumb za svjetlo / odgodu     |

### Montaža

Otvorite poklopac odjeljka za baterije. Umetnite 2 AAA baterije u meteorološku stanicu, zatim umetnite 2 AA baterije u vanjski senzor u skladu s polaritetom prikazanim u odjeljku. (baterije su uključene)

Za najbolje performanse proizvoda, preporučamo korištenje visokokvalitetnih alkalnih baterija. Ne preporučuje se uporaba baterija za teške uvjete rada ili punjivih baterija. Zaslon meteorološke stanice će se isključiti kada je baterija niska. (Približno vrijeme rada s novom baterijom: 6 mjeseci za meteorološku stanicu, 12 mjeseci za bežični vanjski senzor. Vremena rada su samo procjene i ovise o mnogim čimbenicima kao što su vrsta korištenih baterija, proizvođač, radni uvjeti itd.)

### Primanje signala s vanjskog bežičnog senzora

Nakon što je baterija pravilno instalirana, meteorološka stanica automatski otkriva i prima signal vanjske temperature i vlažnosti od bežičnog vanjskog senzora. Traženje signala trajat će do 3 minute. Simbol bežične veze (obližnji kanal na zaslonu)  će treptati na zaslonu tijekom pretraživanja i stabilizirati se kada se signal uspješno primi. Ako stanica ne primi signal od vanjskog senzora, indikator prijema signala će nestati nakon 3 minute, a na zaslonu će se umjesto podataka o vanjskoj temperaturi i vlažnosti prikazati sljedeći simbol: "- -". Kako biste ponovno omogućili traženje signala vanjskog senzora, pritisnite i držite tipku gore 3 sekunde.

### Položaj uređaja i druge napomene:

- Meteorološka stanica može raditi s do tri vanjska bežična senzora. Za postavljanje željenog kanala senzora, otvorite poklopac baterije i postavite birač kanala na odgovarajući položaj (možete birati između 3 kanala). Nakon postavljanja prekidača u vanjskom senzoru na kanal broj 1, odaberite i kanal broj 1 na meteorološkoj stanici - za to pritisnite tipku za kanal (CH) / gore za odabir kanala 1. Na isti način možete upariti još dva dodatna senzora koristeći kanale 2 i 3 za njihovo povezivanje. U komplet je uključen samo 1 vanjski senzor.
- Postavite i koristite meteorološku stanicu i vanjski senzor unutar 1,5 ~ 2 metra od izvora smetnji kao što su računalni monitori ili TV prijemnici. Meteorološka stanica također treba biti postavljena dalje od prozora s metalnim okvirima.
- Nemojte koristiti druge elektroničke proizvode, poput slušalica ili zvučnika, koji rade na istoj frekvenciji signala (433,92 MHz) jer mogu uzrokovati smetnje. Zapamtite da ako vaši susjedi koriste elektroničke uređaje koji rade na istoj frekvenciji signala (433,92 MHz), oni također mogu ometati ispravan rad.
- Za točno mjerenje unutarnje temperature, postavite vremensku stanicu na suho mjesto, bez prljavštine i prašine. Odaberite mjesto podalje od izravne sunčeve svjetlosti i drugih izvora topline te podalje od ventilacijskih otvora.
- Bežični senzor može se postaviti na otvorenom. Za najbolju moguću točnost mjerenja, senzor postavite u uspravan položaj najmanje 1,5 ~ 2 metra od tla, zaštićen od kiše i s dobrom



cirkulacijom zraka. Ne izlažite senzor izravnoj sunčevoj svjetlosti dulje vrijeme.

6. Maksimalna radna udaljenost bežičnog senzora je 80 metara od meteorološke postaje, bez ikakvih prepreka između.

7. Signal s bežičnog senzora šalje se postaji u intervalima od 114 sekundi (kanal 1), 134 sekunde (kanal 2), 158 sekundi (kanal 3).

### Postavke kalendara/jezika/sata

Pritisnite i držite tipku SET 3 sekunde dok na zaslonu ne počne treperiti ON ili OFF, pritisnite tipku gore ili dolje Za uključivanje ili isključivanje zvuka gumba, pritisnite gumb SET za potvrdu odabira i prelazak na postavku godine. Ponovite ove korake istim redoslijedom za postavljanje ostalih parametara kao što su: format kalendara / mjesec / datum / radni dan / jezik - dostupni jezici su: GE (njemački), EN (engleski), FR (francuski), IT (talijanski) , SP (španjolski), DU (nizozemski), DA (danski) / sat / sat / format minute. (Pritisnite i držite gumb gore ili dolje ubrzati regulaciju; trenutne postavke automatski će se spremiti i izaći ako se unutar 20 sekundi ne pritisne nijedan gumb).

### Alarm i odgoda

Pritisnite i držite tipku ALARM za aktiviranje načina rada za podešavanje alarma, pritisnite tipku gore ili dolje Za postavljanje vremena alarma pritisnite tipku ALARM za potvrdu odabira i unesite postavku minuta alarma koja je ista kao i postavljanje sata. Kratkim pritiskom na tipku ALARM možete dovršiti podešavanje alarma, ponovnim pritiskom na tipku ALARM možete uključiti/isključiti alarm (ikona zvona, prikazana između sati i minuta na zaslonu, obavještava o ispravno aktiviranom alarmu). Pritisnite gumb za gornje svjetlo/odgodu za povratak na prikaz vremena na satu.

Kada alarm zazvoni u unaprijed određeno vrijeme, pritisnite bilo koju tipku (osim tipke za svjetlo/odgodu) da poništite zvuk alarma, a alarm će ponovno zazvoniti u isto vrijeme sljedeći dan. Kada se alarm aktivira, kratko pritisnite tipku za svjetlo / odgodu da biste aktivirali funkciju odgode koja će ponovno aktivirati alarm nakon 5 minuta. Odgoda se može ponoviti svakih 5 minuta. Pritisnite bilo koju drugu tipku (osim tipke za svjetlo/odgodu) da poništite odgodu. Alarm će se oglasiti 2 minute osim ako se prethodno ne otkaže.

### Temperatura i vlažnost

1. Raspon mjerenja unutarnje temperature:  $-10 \sim +50^{\circ}\text{C}$  /  $14 \sim 122^{\circ}\text{F}$ .

2. Raspon mjerenja vanjske temperature:  $-30 \sim +60^{\circ}\text{C}$  /  $-22 \sim 140^{\circ}\text{F}$ .

Napomena: LL.L $^{\circ}\text{C}$  ili HH.H $^{\circ}\text{C}$  pojavit će se na zaslonu kada je izmjerena vrijednost temperature izvan gornjeg raspona

3. Raspon mjerenja unutarnje i vanjske vlažnosti: 1% -99%

Napomena: LL% ili HH% pojavit će se na zaslonu kada je izmjerena vrijednost vlažnosti izvan gornjeg raspona

4. Točnost mjerenja temperature:  $\pm 1,0^{\circ}\text{C}$  u rasponu od  $0^{\circ}\text{C}$  do  $+50^{\circ}\text{C}$  /  $32^{\circ}\text{F} \sim 104^{\circ}\text{F}$ .  
 $\pm 1,5^{\circ}\text{C}$  izvan gornjeg raspona.

5. Točnost mjerenja vlažnosti:  $\pm 5\%$  (u rasponu od 40 do 70%),  $\pm 8\%$  izvan raspona

6. Pritisnite tipku memorije (MEM) za provjeru maksimalne i minimalne vrijednosti mjerenja, pritisnite i držite tipku memorije (MEM) za ručno brisanje podataka. (Napomena: Maksimalne i minimalne vrijednosti mjerenja bit će automatski izbrisane u 00:00 svaki dan).

7. Pritisnite tipku postavke (SET) za promjenu jedinice temperature: ze $^{\circ}\text{C}$  (stupnjeva Celzijusa) do $^{\circ}\text{F}$  (stupnjevi Fahrenheita).

### Trend temperature

Strelica u blizini podataka o temperaturi pokazuje trend temperature. Njegov se smjer mijenja ovisno o tome je li zadnje očitavanje temperature više ili niže od prethodnih očitavanja.

Strelica gore = temperatura je porasla za 1 °C u posljednjem satu.

Strelica koja pokazuje ravno naprijed = temperatura se promijenila za manje od 1 °C u posljednjem satu.

Strelica prema dolje = temperatura se smanjila za 1 °C u posljednjem satu.

### Animirana vremenska prognoza

Vremenska prognoza temelji se na prikupljenim podacima o temperaturi i vlažnosti zraka vanjskog senzora po satu. Postaja prognozira vremenske uvjete za sljedećih 12 sati s točnošću od 70-75%. Zadana ikona vremenske prognoze postavljena je na "djelomično oblačno", meteorološka stanica će automatski kalibrirati vremensku prognozu u prva 1-2 tjedna rada na temelju podataka o temperaturi i vlažnosti s vanjskog senzora.

Bežični senzor treba postaviti vani kako bi se dobili točni podaci o temperaturi i vlažnosti, inače će utjecati na točnost vremenske prognoze.

Vremenska prognoza pojavit će se u jednoj od sljedećih kombinacija:



SUNČANO



DJELOMIČNA OBLAKA



OBLAK



KIŠA



SNIJEG

Imajte na umu da uređaj prognozira vrijeme na temelju ograničenih parametara i može se razlikovati od službenih vremenskih prognoza koje se izračunavaju pomoću naprednih algoritama.

### Indikator točke smrzavanja

Kada je vanjska temperatura ispod 3 °C / 34 °F, ovaj simbol će se pojaviti na zaslonu stanica će emitirati ton upozorenja.



### Rješavanje problema

Nema informacija na zaslonu	✧ Provjerite jesu li baterije pravilno postavljene u uređaj.
Temperatura vanjskog senzora se ne prikazuje.	<ul style="list-style-type: none"> <li>✧ Provjerite da udaljenost između stanice i senzora ne prelazi 30 m (preporučeno)</li> <li>✧ Provjerite jesu li stanica i senzor udaljeni najmanje 2 metra od monitora i TV prijemnika.</li> <li>✧ Izbjegavajte postavljanje uređaja na ili blizu metalnih okvira prozora.</li> <li>✧ Izbjegavajte korištenje postaje u blizini elektroničkih uređaja poput zvučnika koji rade na istoj frekvenciji (433 MHz).</li> <li>✧ Još jednom provjerite jesu li stanica i bežični vanjski senzor postavljeni na isti kanal.</li> <li>✧ Izvadite baterije, pričekajte neko vrijeme, a zatim ih ponovno umetnite.</li> </ul>
Prikazana temperatura je netočna.	<ul style="list-style-type: none"> <li>✧ Izvadite baterije, pričekajte neko vrijeme, a zatim ih ponovno umetnite.</li> <li>✧ Pazite da na stanicu ili senzor ne utječu izvori topline, klima uređaji itd. Ili se senzor nalazi na mjestu izloženom izravnom sunčevom svjetlu.</li> </ul>

### Specifikacija:

Prikaz unutarnje / vanjske temperature

Zaslon unutarnje / vanjske vlažnosti

Prikaz trenda temperature

Zabilježite maksimalnu / minimalnu temperaturu / vlažnost tijekom dana

Vremenska prognoza za sljedećih 12-24 sata

Sat (12/24 satni format) i kalendar

Prikaz dana u tjednu na 7 jezika (EN / GE / DA / SP / DU / IT / FR)

Alarm s funkcijom odgode

Bežični vanjski senzor (1 kom uključen)

Podrška za do 3 vanjska senzora

LCD zaslon s pozadinskim osvjetljenjem

Veličina LCD ekrana: 61 x 93 mm

Izvor napajanja meteorološke stanice: 2 x 1,5 V baterija (veličina AAA, uključena)

Izvor napajanja bežičnog senzora: 2 x 1,5 V baterije (veličina AA, uključena)

Zidna vješalica / stalak

IP54 (razred vodootpornosti za bežični senzor)

Radna frekvencija bežičnog senzora: 433,92 MHz

Potrošnja energije: 18 mW (meteorološka stanica), 24 mW (bežični senzor)

Dimenzije meteorološke stanice: 87 x 25 x 125 mm

Neto težina meteorološke stanice: 0,134 kg

Dimenzije senzora: 38 x 19 x 100 mm

Neto težina senzora: 0,032 kg

### Informații importante

- Instrucțiunile de operare și informațiile referitoare la siguranță trebuie păstrate în scopul folosirii lor în viitor.
- Nu permiteți ca pe dispozitiv să picure sau să se verse vreun lichid.
- Nu îl folosiți în locuri umede, cum ar fi de ex. sala de baie.
- Dispozitivul nu poate fi montat în următoarele locuri:
- Expus la lumina directă a soarelui sau în apropierea caloriferelor.
- Plasat deasupra unui alt dispozitiv stereofonic care emite căldură.
- Blocând ventilația sau într-un loc prăfuit.
- În locuri expuse la vibrații constante.
- În locuri cu umiditate ridicată.
- Nu așezați dispozitivul în apropierea lumânărilor sau a focului deschis.
- Dispozitivul poate fi folosit exclusiv în modul descris în instrucțiunile de mai jos.
- Înainte de prima pornire, asigurați-vă că sursa de alimentare este conectată în mod corespunzător.

Din motive de securitate, nu demontați carcasa și nu încercați să accesați interiorul dispozitivului. Dispozitivul trebuie reparat de personalul calificat din service.

Nu demontați și nu deschideți carcasa, deoarece în interior nu există elemente ce ar putea fi reparate de utilizator. De mentenanță și repararea echipamentului se ocupă exclusiv angajații calificați ai service-ului.

### INSTRUCȚIUNI REFERITOARE LA SIGURANȚĂ

1. Citiți instrucțiunile – înainte de utilizarea dispozitivului, citiți în întregime instrucțiunile de utilizare, precum și informațiile referitoare la siguranță.
2. Urmați instrucțiunile – păstrați instrucțiunile de utilizare și operare în scopul folosirii lor în viitor.
3. Respectați avertismentele – procedați conform tuturor avertismentelor plasate pe dispozitiv, precum și conform instrucțiunilor de utilizare.
4. Urmați instrucțiunile – procedați conform instrucțiunilor de operare și indicațiilor pentru utilizator.
5. Instalare – setați dispozitivul conform instrucțiunilor producătorului.
6. Surse de alimentare – dispozitivul trebuie alimentat exclusiv de la sursa cu parametrii indicați în marcasele de pe cablul de alimentare. Dacă utilizatorul nu este sigur de tipul de alimentare de care dispune acasă, trebuie să contacteze vânzătorul dispozitivului sau furnizorul local de energie electrică.
7. Apă și umezeală – pentru a reduce riscul de incendiu sau electrocutare, nu expuneți dispozitivul la ploaie, apă și umiditate directă, ca de ex. în saună sau baie. Nu folosiți dispozitivul în apropierea apei, de exemplu lângă cadă, lavoar, chiuveta de bucătărie, într-o pivniță umedă sau în apropierea unei piscine (sau în locuri similare).
8. Obiecte și lichide în dispozitiv – nu trebuie forțate niciun fel de obiecte prin deschiderile dispozitivului, deoarece acestea pot să intre în contact cu punctele de tensiune periculoasă și cu componentele, ceea ce poate provoca incendiu sau electrocutare. În niciun caz nu vărsați niciun fel de lichide pe suprafața dispozitivului. Nu puneți pe suprafața dispozitivului obiecte ce conțin lichide.
9. Servisare – nu încercați să serviți singur dispozitivul. Deschiderea capacului poate duce la contactul cu o tensiune periculoasă și poate expune utilizatorul la alte pericole. De mentenanță și repararea echipamentului se ocupă exclusiv angajații calificați ai service-ului.
10. Piese de schimb – la înlocuirea pieselor, trebuie verificat dacă angajatul service-ului a folosit piesele de schimb recomandate de producător sau dacă aceste piese sunt identice cu cele originale. Înlocuirea cu piese neaprobate poate duce la incendii, electrocutare sau alte pericole.
11. Temperatura maximă ambientă pentru dispozitiv este de 35°C.
12. Instrucțiuni referitoare la descărcările electrostatice – dacă funcționarea dispozitivului este perturbată de descărcări electrostatice, acesta trebuie oprit și repornit sau mutat în alt loc.

## 028. Bateria

- a. Bateriile nu pot fi expuse la căldură excesivă, cum ar fi razele de soare, foc, ș.a.
- b. Când aruncați bateriile, acordați atenție aspectelor legate de protecția mediului.
- c. Avertisment referitor la folosirea bateriei: pentru a nu permite pierderea etanșeității bateriei, ceea ce poate provoca vătămări corporale sau deteriorare a dispozitivului:
  - În timpul introducerii bateriei, respectați polaritatea acesteia (+ și -).
  - Nu folosiți în același timp baterii diferite — vechi și noi, baterii standard și alcaline, ș.a.
  - Scoateți bateriile din dispozitiv, atunci când acesta nu este folosit pentru o perioadă mai lungă.

**ATENȚIE**

Dispozitivul nu trebuie folosit de persoanele (inclusiv copiii) cu capacități fizice, senzoriale sau mentale reduse, precum și de persoanele cu cunoștințe și experiență insuficiente, în cazul în care nu se află sub supravegherea unei persoane responsabile pentru siguranța lor și nu au fost instruite cum să folosească dispozitivul în condiții de siguranță. Prezența persoanelor adulte este necesară, dacă dispozitivul este folosit de copii; aceasta va permite o folosire în condiții de siguranță a dispozitivului.

1. Nu lăsați dispozitivul nesupravegheat în timpul funcționării! Dispozitivul trebuie închis când nu este folosit, chiar și pentru o perioadă scurtă de timp.
2. Dispozitivul nu poate fi folosit prin intermediul unui temporizator extern și nici cu ajutorul unui sistem separat cu comandă de la distanță.
3. Pentru evitarea pericolului în cazul deteriorării cablului de alimentare, înlocuirea trebuie efectuată de producător, de punctul autorizat de service sau de o altă persoană calificată în acest sens.
4. Înainte de a începe deservirea dispozitivului, trebuie verificat dacă tensiunea acestuia corespunde tensiunii din rețeaua locală de alimentare.
5. Pentru a evita incendiile sau electrocutarea, dispozitivul trebuie protejat împotriva locurilor fierbinți, ploii, umezelii și prafului.
6. Nu expuneți dispozitivul la câmpuri magnetice puternice.
7. Nu așezați dispozitivul direct pe amplificator sau amplituner.
8. Nu așezați dispozitivul într-un loc umed, deoarece umiditatea are efect dăunător asupra componentelor electrice.
9. După mutarea dispozitivului dintr-un loc rece către un loc cald sau un loc umed, se poate forma condens pe lentila din interiorul playerului. În această situație dispozitivul nu va funcționa corect. Lăsați dispozitivul să funcționeze aproximativ o oră pentru a permite evaporarea umidității.
10. Nu curățați dispozitivul cu solvenți chimici, deoarece aceștia pot distruge lacul carcasei. Dispozitivul se curăță cu o cârpă curată, uscată sau ușor umezită.

**ATENȚIE**

## Declarație

Prin prezenta Blaupunkt Competence Center 2N-Everpol Sp. z o.o. [SRL] declara că acest dispozitiv este în conformitate cu cerințele și alte dispoziții corespunzătoare ale directivei 2014/53 / UE. Declarația completă de conformitate poate fi obținută pe pagina [www.blaupunkt.com](http://www.blaupunkt.com) n secția produsului.

Entitate responsabilă: 2N-Everpol Sp. Z o.o.

Puławska 403A, 02-801 Varșovia, Polonia

Telefon: +48 22 688 08 00, e-mail: [info@everpol.pl](mailto:info@everpol.pl)



Produsul a fost realizat din materiale și componente de înaltă calitate, ce pot fi reciclate și reutilizate.



Dacă pe dispozitiv se află semnul coșului de gunoi tăiat, aceasta înseamnă că produsul se înscrie în dispozițiile directivei europene 2012/19/EU. Trebuie citite cerințele referitoare la sistemul local de colectare a deșeurilor electrice și electronice. Respectați reglementările locale. Nu aruncați acest produs împreună cu deșeurile menajere obișnuite. Eliminarea corectă a produsului vechi va preveni potențialele consecințe negative pentru mediu și sănătatea umană.



Dispozitivul este echipat cu baterii care fac obiectul directivei europene 2006/66/EC. Bateriile nu pot fi aruncate împreună cu deșeurile menajere. Consultați reglementările locale privind colectarea separată a bateriilor, deoarece eliminarea corectă va împiedica potențialele consecințe negative pentru mediul natural și sănătatea umană.

### **Informații privind protecția mediului înconjurător**

Ambalajul conține doar elementele necesare. S-au făcut toate eforturile ca cele trei materiale componente ale ambalajului să fie ușor de separat: cutia de carton (cutia), spuma de polistiren (protecție interioară) și polietilena (pungi, folie protectoare). Dispozitivul a fost produs din materiale ce pot fi reciclate și reutilizate după demontarea lor de către o firmă specializată. Trebuie respectate reglementările locale referitoare la eliminarea materialelor de ambalare, bateriilor folosite și a echipamentelor inutile. Înregistrarea și redarea materialelor poate necesita obținerea unei autorizații. Consultați legea referitoare la drepturile de autor și drepturile executanților / artiștilor.

### **Remarcă referitoare la ERP2 (dispozitive legate de energie)**

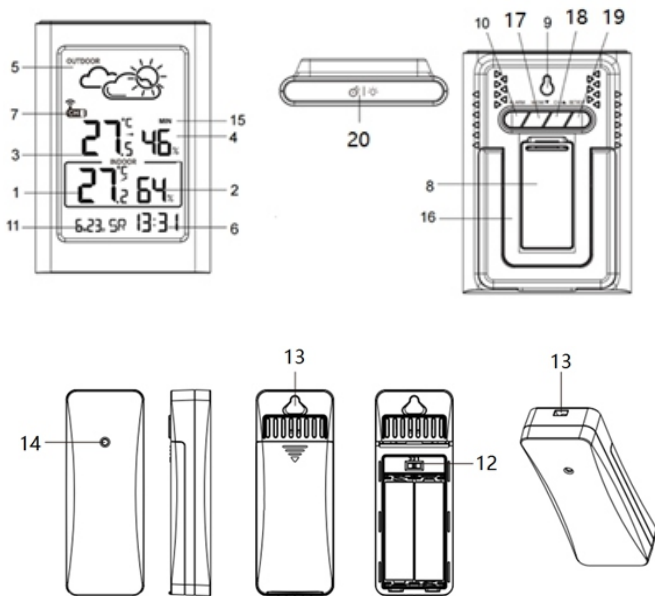
Prezentul dispozitiv cu ecoproiect îndeplinește cerințele etapei 2 din Regulamentul Comisiei (CE) nr 1275/2008 care introduce directiva 2009/125/CE referitoare la consumul de energie al dispozitivelor electronice de birou și de uz casnic, închise sau aflate în regim de stand by.

Vă mulțumim pentru achiziționarea stației noastre meteo. Acest model are următoarele funcții.

### Funcții

- Prognoză meteo: însorit, parțial înnorat, înnorat, ploaie, zăpadă.
- Temperatura din interior / exterior.
- Umiditate în interior / exterior.
- Memoria valorilor minime și maxime ale măsurătorilor temperaturii și umidității din interior și exterior.
- Mod ceas 12/24 ore, calendar.
- Alarmă cu funcția ațipire/amânare
- Acceptă până la 3 senzori externi care funcționează pe diferite canale (numai 1 senzor inclus)

Vă rugăm să citiți aceste instrucțiuni înainte de a porni acest dispozitiv. Păstrați instrucțiunile pentru a le putea folosi în viitor.



- |  |  |
|--|--|
| 1. Temperatura din interior / tendință   | 2. Umiditatea din interior                 |
| 3. Temperatura din exterior / tendință   | 4. Umiditatea din exterior                 |
| 5. Prognoză meteo animată  | 6. Ceas                                    |
| 7. Indicatorul canalului senzorului exterior   | 8. Capacul compartimentului pentru baterii |
| 9. Orificiu de montaj pentru agățare   |  |
| 10-17-18-19: Butoane de reglare: alarmă, memorie (MEM)/jos, canal (CH)/ sus, setări (SET), |  |
| 11. Calendar   | 12. Comutator al canalului senzorului      |
| 13. Orificii de montaj pentru agățare  | 14. Indicator senzor                       |
| 15. Date privind valorile minime și maxime ale măsurătorilor de temperatură și umiditate   |  |
| 16. Suport pliabil (de plasat pe masă)   | 20. Buton iluminare/amânare                |


### Instalare

Deschideți compartimentului pentru baterii. Introduceți 2 baterii AAA în stația meteo, apoi introduceți 2 baterii AA în senzorul extern respectând polaritatea indicată în compartimentul pentru baterii. (Bateriile sunt incluse)

Pentru a obține cea mai bună performanță a produsului, vă recomandăm să utilizați baterii alcaline de înaltă calitate. Nu se recomandă baterii de tipul „Heavy duty” sau acumulatori.

Afișajul stației meteo se va opri atunci când bateria este descărcată. (Timp de lucru aproximativ pe baterie nouă: 6 luni pentru stația meteo, 12 luni pentru senzorul wireless extern. Timpul de lucru este doar estimativ și depinde de mulți factori, cum ar fi tipul de baterii utilizate, producătorul, condițiile de lucru etc.)

### Primirea semnalului de la un senzor wireless extern

Când bateria este instalată corect, stația meteo detectează și primește automat un semnal de la măsurarea temperaturii și umidității exterioare de la un senzor wireless extern. Recuperarea semnalului va dura maxim 3 minute. Simbolul wireless (canalul din apropiere de pe afișaj)  va lumina intermitent pe afișaj în timpul căutării și se stabilizează atunci când semnalul este recepționat cu succes. Dacă stația nu primește semnal de la un senzor extern, indicatorul de recepție a semnalului va dispărea după 3 minute iar pe afișaj va apărea următorul simbol în locul datelor de temperatură și umiditate externă: „- -”. Pentru a reactiva căutarea semnalului de la senzorul extern, apăsați și mențineți apăsat butonul „in sus” timp de 3 secunde.

Amplasarea dispozitivului și alte observații:

1. Stația meteo poate funcționa cu până la trei senzori wireless externi. Pentru a seta canalul dorit al senzorului, deschideți capacul bateriei și setați comutatorul canalului în poziția corectă (există 3 canale din care puteți alege). După setarea comutatorului din senzorul extern la canalul numărul 1, selectați, de asemenea, canalul numărul 1 din stația meteorologică – pentru a face acest lucru, apăsați butonul canal (CH)/ sus pentru a selecta canalul 1. Prin aceeași metodă, puteți asocia doi senzori suplimentari opționali folosind canalele 2 și 3 pentru a-i conecta. Este inclus doar un senzor pentru exterior.
2. Vă rugăm să amplasați și să utilizați stația meteo și un senzor extern la 1,5~2 metri de sursele de interferență, cum ar fi monitoare de computer sau televizoare. Stația meteo trebuie, de asemenea, să fie amplasată departe de ferestre cu rame metalice.
3. Nu utilizați alte produse electronice, cum ar fi căștile sau difuzoarele, care funcționează la aceeași frecvență a semnalului (433,92 MHz), deoarece acestea pot provoca interferențe. Vă rugăm să rețineți că, dacă vecinii dvs. utilizează dispozitive electronice care funcționează la aceeași frecvență a semnalului (433,92 MHz), acestea pot provoca, de asemenea, interferențe în funcționarea corectă.
4. Pentru a asigura măsurarea precisă a temperaturii interioare, așezați stația meteo într-un loc uscat, fără murdărie și praf. Alegeți un loc departe de lumina directă a soarelui și de alte surse de căldură, precum și de orificiile de ventilație.



5. Senzorul wireless poate fi instalat în aer liber. Pentru cea mai bună precizie posibilă a măsurătorii, așezați senzorul în poziție verticală, la cel puțin 1,5 ~ 2 metri de sol, într-un loc protejat de ploaie și cu o bună circulație a aerului. Nu expuneți senzorul la lumina directă a soarelui pentru perioade lungi de timp.
6. Distanța maximă de lucru a senzorului fără fir este de 80 de metri de stația meteo, fără nici un obstacol între ele.
7. Semnalul de la senzorul wireless este transmis la stație la fiecare 114 secunde (canalul 1), 134 secunde (canalul 2), 158 secunde (canalul 3).

### Setări pentru calendar/limbă/ceas

Apăsăți și mențineți apăsat butonul de setare (SET) timp de 3 secunde până când pe afișaj clipește simbolul ON sau OFF, apăsați butonul în sus sau în jos, pentru a activa sau dezactiva sunetul butonului, apăsați butonul de setare (SET) pentru a confirma selecția și treceți la setarea anului. Repetați acești pași în aceeași ordine pentru a seta alți parametri, cum ar fi: formatul calendarului/luna/data/ziua săptămânii/limba – limbile disponibile sunt: GE (germană), EN (engleză), FR (franceză), IT (italiană), SP (spaniolă), DU (olandeză), DA (daneză) /formatul ore/oră/minut. (Apăsăți și mențineți apăsat butonul în sus sau în jos pentru a accelera reglarea; setările curente sunt salvate automat și părăsite dacă nu este apăsat niciun buton în decurs de 20 de secunde)

### Alarmă și amânare

Apăsăți și mențineți apăsat butonul de ALARMĂ pentru a activa modul de setare a alarmei, apăsați butonul în sus sau în jos pentru a seta ora ALARMEI, apăsați butonul de alarmă pentru a confirma selecția și mergeți la setarea minutelor alarmei, care se face la fel ca setarea orei. Apăsarea scurtă a butonului de ALARMĂ poate încheia setarea alarmei, apăsarea din nou a butonului de ALARMĂ poate activa/dezactiva alarma (Alarma este indicată de pictograma de apel afișată între indicatorul de oră și minut de pe afișaj). Apăsăți butonul superior de lumină de fundal/alarmă/amânare pentru a reveni la afișajul orei ceasului.

Când alarma sună la ora setată, apăsați orice buton (cu excepția butonului de iluminare de fundal /amânare) pentru a anula sunetul de alarmă și alarma va suna din nou la aceeași oră în ziua următoare. În timp ce alarma este în curs de desfășurare, apăsați scurt butonul de iluminare de fundal/amânare pentru a activa funcția de amânare, care va reactiva alarma după 5 minute. Funcția ațipirii/amânării poate fi repetată la fiecare 5 minute. Apăsăți orice alt buton (cu excepția butonului de iluminare de fundal/amânare) pentru a anula dezactivarea temporară. Sunetul de alarmă va continua timp de 2 minute dacă nu este anulat mai devreme.

### Temperatura și umiditatea

1. Intervalul de măsurare a temperaturii interioare: -10 ~ +50 °C / 14 ~ 122 °F.
  2. Intervalul de măsurare a temperaturii exterioare: -30 ~ +60 °C / -22 ~ 140 °F.
- Notă: LL.L °C sau HH.H °C vor apărea pe afișaj atunci când valoarea măsurată a temperaturii este în afara intervalului de mai sus
3. Intervalul de măsurare a umidității din interior și exterior: 1%~99%
- Notă: LL% sau HH% vor apărea pe afișaj atunci când valoarea măsurată a umidității se află în afara intervalului de mai sus
4. Exactitatea de măsurare a temperaturii:  $\pm 1,0^{\circ}\text{C}$  în intervalul de la  $0^{\circ}\text{C}$  la  $+50^{\circ}\text{C}$  /  $32^{\circ}\text{F}$  ~  $104^{\circ}\text{F}$ .  $\pm 1,5^{\circ}\text{C}$  în afara intervalului de mai sus.
  5. Precizia de măsurare a umidității:  $\pm 5\%$  (interval de la 40 la 70%),  $\pm 8\%$  în afara intervalului
  6. Apăsăți butonul de Memorie (MEM) pentru a verifica valorile de măsurare maxime și minime, apăsați și mențineți apăsat butonul de Memorie (MEM) pentru a șterge manual aceste date. (Notă: Valorile de măsurare maxime și minime vor fi șterse automat la ora 00:00 în fiecare zi).
  7. Apăsăți butonul în setări (SET) pentru a schimba unitatea de temperatură: de la °C (grade

Celsius) la °F (grade Fahrenheit).

### Tendință de temperatură

O săgeată în apropierea datelor de temperatură indică tendința de temperatură. Direcția sa se schimbă în funcție de faptul dacă ultima citire a temperaturii este mai mare sau mai mică decât valorile anterioare.

Săgeată îndreptată în sus = temperatura a crescut cu 1 °C în ultima oră.

Săgeată îndreptată înainte = temperatura s-a modificat cu mai puțin de 1 °C în ultima oră.

Săgeată îndreptată în jos = temperatura a scăzut cu 1 °C în ultima oră.

### Prognoză meteo animată

Prognoza meteo se bazează pe datele de temperatură și umiditate pe oră colectate de la senzorul extern. Stația prognozează condițiile meteo pentru următoarele 12 ore cu o acuratețe de 70-75%. Pictograma de prognoză meteo implicită este setată la „acoperire parțială cu nori”, stația meteorologică va calibra automat prognoza meteo în primele 1-2 săptămâni de funcționare pe baza datelor de temperatură și umiditate de la senzorul extern.

Senzorul wireless trebuie amplasat în aer liber pentru a obține date exacte privind temperatura și umiditatea, în caz contrar, precizia prognozei meteo va fi afectată.

Prognoza meteo va apărea într-una din următoarele combinații:



ÎNSORIT



PARȚIAL ÎNNORAT



ÎNNORAT



PLOAIE



ZĂPADĂ

Vă rugăm să rețineți că dispozitivul prezice vremea pe baza unor parametri limitați și poate diferi de prognozele meteorologice oficiale, care sunt calculate pe baza unor algoritmi avansați.

### Indicator al punctului de îngheț

Când temperatura din exterior scade sub 3°C/34°F, acest simbol



va apărea pe afișaj, iar stația va emite un semnal de avertizare.

**Soluționarea problemelor**

Lipsa informațiilor pe afișaj	<ul style="list-style-type: none"> <li>✧ Verificați dacă bateriile sunt instalate corect în aparat.</li> </ul>
Temperatura de la senzorul din exterior nu este afișată.	<ul style="list-style-type: none"> <li>✧ Verificați dacă distanța dintre stație și senzor nu depășește 30 m (recomandat)</li> <li>✧ Asigurați-vă că stația și senzorul sunt la cel puțin 2 m distanță de monitoare și televizoare.</li> <li>✧ Evitați plasarea dispozitivelor pe sau în apropierea ramelor metalice ale ferestrelor.</li> <li>✧ Evitați utilizarea stațiilor în apropierea dispozitivelor electronice, cum ar fi difuzoarele care funcționează la aceeași frecvență (433 MHz).</li> <li>✧ Vă rugăm să verificați cu atenție dacă stația și senzorul wireless extern sunt poziționate pe același canal.</li> <li>✧ Scoateți bateriile, așteptați un moment și apoi reintroduceți-le.</li> </ul>
Temperatura afișată este incorectă.	<ul style="list-style-type: none"> <li>✧ Scoateți bateriile, așteptați un moment și apoi reintroduceți-le.</li> <li>✧ Asigurați-vă că stația sau senzorul nu sunt afectate de surse de căldură, aparate de aer condiționat etc. Sau senzorul este amplasat într-un loc expus la lumina directă a soarelui.</li> </ul>

**Specificație:**

Afișare temperatură din interior/exterior

Afișarea umidității din interior/exterior

Indicator al tendinței de temperatură

Înregistrare temperatură/umiditate max./min. în timpul zilei

Prognoza meteo pentru următoarele 12-24 de ore

Ceas (format 12/24 ore) și calendar

Afișează zilele lucrătoare în 7 limbi (EN/GE/DA/SP/DU/IT/FR)

Alarmă cu funcția ațipire/amânare

Senzor wireless extern (1 buc. inclus)

Funcționare a până la 3 senzori externi

Afișaj LCD cu iluminare de fundal

Dimensiune afișaj LCD: 61 x 93 mm

Sursă de alimentare stație meteo: 2 x baterii de 1,5 V (dimensiune AAA, incluse)

Sursă de alimentare senzor wireless: 2 x baterii de 1,5 V (dimensiune AA, incluse)

Cârlig de perete / Suport

IP54 (clasă de impermeabilitate pentru senzorul wireless)

Frecvența de funcționare a senzorului fără fir: 433,92 MHz

Consum de putere: 18mW (stația meteo), 24mW (senzor wireless)

Dimensiunile stației meteo: 87 x 25 x 125 mm

Greutate netă a stației meteo: 0,134 kg

Dimensiuni senzor: 38 x 19 x 100 mm

Greutate netă senzor: 0,032 kg

**Важна информация**

- Запазете инструкцията за ползване, както и информацията за безопасност, с цел използване в бъдеще.
- Да не се допуска прокапване или протичане на течност върху устройството.
- Също да не се използва на влажни места като например в баня.
- Да не се инсталира това устройство на следните места:
- Изложени на непосредствено действие на слънчеви лъчи или близо до радиатори.
- Да не се поставя на повърхността на друго стереофонично оборудване, което отделя топлина.
- Ако ще блокира вентилация или в прашно помещение.
- На места, изложени на постоянна вибрация.
- На места с висока влажност.
- Да не се поставя устройството близо до свещи или открит огън.
- Устройството може да се използва единствено по начина, описан в настоящата инструкция.
- Преди първото включване на захранването трябва да се уверите, че зарядното устройство е включено правилно.

От съображения за сигурност да не се демонтират конструкциите, както и да не се осигурява достъп до вътрешността на устройството. Забранено е отвъртането на устройството, както и отварянето на неговата конструкция, тъй като вътре няма части, които биха могли да бъдат поправени от потребителя. С обслужването и поправката на оборудването се занимават единствено квалифицирани служители на сервиза.

**ИНСТРУКЦИИ ЗА БЕЗОПАСНОСТ**

1. Прочетете инструкцията – преди употреба прочетете цялата инструкция за обслужване, както и информацията за безопасност.
2. Запазете инструкцията – запазете инструкцията за употреба и обслужване с цел по-нататъшно използване.
3. Спазвайте предупрежденията – постъпвайте съгласно с всички предупреждения, поместени на устройството и съгласно с инструкцията за употреба.
4. Спазвайте инструкциите – постъпвайте съгласно инструкцията за употреба и насоките за потребителя.
5. Инсталация - настройвайте устройството в съответствие с инструкциите на производителя.
6. Източници на захранване - захранвайте устройството само от източници с параметри, посочени на захранващия кабел. Ако не сте сигурни каква енергия имате въкъщи, трябва да се свържете с продавача на устройството или местния доставчик на електрическа енергия.
7. Вода и влага - За да намалите риска от пожар или токов удар, не излагайте устройството на пряк дъжд, вода или влага, например в сауната или в банята. Не използвайте това устройство близо до вода като вана, мивка, кухненска мивка или вана, в мокро помещение или в близост до плувен басейн (или на подобни места).
8. Предмети и течности в устройството - не вкарвайте предмети през отворите на устройството, тъй като могат да влязат в контакт с опасни точки и компоненти на напрежение, което може да доведе до пожар или токов удар. При никакви обстоятелства не трябва да разливате течности по повърхността на устройството. Не поставяйте върху устройството предмети, съдържащи течности.
9. Обслужване - не се опитвайте самостоятелно да правите преглед на устройството. Отварянето на капака може да доведе до опасно напрежение и да изложи потребителя на други опасности. С консервация и ремонтване на оборудването се занимават единствено квалифицирани служители на сервиза.

10. Резервни части - при подмяна на части се уверете, че техникът е използвал препоръчаните от производителя резервни части или също, че частите са идентични с оригиналните. Подмяната с неодобренни части може да доведе до пожар, токов удар или други опасности.

11. Максималната температура на околната среда на устройството е 35 ° C.

12. Инструкции за електростатично разреждане - ако работата на устройството е прекъсната от електростатичен разряд, изключете уреда и повторно включете устройството или го преместете на друго място.

13. Батерия

а. Не излагайте батериите на прекомерна топлина като например слънчеви лъчи, огън и др.

б. Когато използвате батериите, обърнете внимание на изискванията за опазване на околната среда.

в. Предупреждение за използване на батерията: За да не се стигне до изтичане на батерията, което може да доведе до нараняване или повреда на устройството:

- При поставяне на батерията, обърнете внимание на нейните полюси (+ и -)
- Не използвайте едновременно различни батерии - стари и нови, стандартни и алкални и др.
- Извадете батериите от устройството, ако няма да го използвате за по-дълъг период от време.

### **ВНИМАНИЕ**

Устройството не трябва да се използва от хора (включително деца) с намалени физически, сензорни или психически способности и лица с недостатъчни познания и опит, освен ако не са под наблюдението на лице, отговорно за тяхната безопасност и не са инструктирани как безопасно да използват устройството. Необходимо е присъствие на възрастни, ако устройството се използва от деца; това ще осигури безопасно използване на устройството.

1. Не оставяйте устройството без надзор! Изключвайте устройството, когато не го използвате, дори и за кратко време.
2. Не включвайте устройството чрез външен часовник, нито чрез отделна система за дистанционно управление.
3. За да избегнете опасност при повреда на захранващия кабел, подмяната трябва да се извърши от производителя, от упълномощен сервизен център или от друго квалифицирано лице.
4. Преди да използвате уреда се уверете, че напрежението му съответства на напрежението на местното захранване.
5. За да избегнете пожар или токов удар, предпазвайте устройството от горещи места, дъжд, влага и прах.
6. Не излагайте устройството на силни магнитни полета.
7. Не поставяйте устройството директно върху усилвателя или приемника.
8. Не поставяйте устройството на влажно място, тъй като влагата има вреден ефект върху електрическите компоненти.
9. При внасяне на устройството от студено на топло или на влажно място, може да се образува конденз върху обектива вътре в плейъра. В този случай устройството няма да работи правилно. Оставете включения уред в продължение на около един час, за да може влагата да се изпари.
10. Не почиствайте устройството с химически разтворители, тъй като те могат да повредят лаковото покритие на конструкцията. Избършете устройството с чиста, суха или леко влажна кърпа.

### **ВНИМАНИЕ**



### Декларация

С настоящото Blaupunkt Competence Center 2N-Everpol Sp. z o.o. декларира, че това устройство отговаря на изискванията и други приложими разпоредби на Директива 2014/53 / на ЕС. Пълната декларация за съответствие може да бъде намерена на [www.blaupunkt.com](http://www.blaupunkt.com) в раздела за продукти.

Отговорно лице: 2N-Everpol Sp. Z o.o.

Puławska 403A, 02-801 Warszawa, Polska

Телефон: +48 22 688 08 00, e-mail: [info@everpol.pl](mailto:info@everpol.pl)



Продуктът е произведен от висококачествени материали и компоненти, които могат да бъдат рециклирани и повторно използвани.



Ако на устройството има знак със задраскано кошче за отпадъци, това означава, че продуктът е обхванат от Европейската директива 2012/19 / EU. Запознайте се с изискванията на местната система за събиране на електрически и електронни отпадъци. Следвайте местните разпоредби. Не изхвърляйте този продукт заедно с обикновените битови отпадъци. Правилното изхвърляне на стария продукт ще предотврати потенциални негативни последици за околната среда и човешкото здраве.



Устройството е оборудвано с с батерии, които са част от европейска директива 2006/66/ЕС. Не изхвърляйте батериите заедно с битови отпадъци. Запознайте се с изискванията на местната система за събиране на батерии, тъй като правилната употреба на стария продукт ще предотврати потенциални негативни последици за околната среда и човешкото здраве.

### Информация за опазване на околната среда

Пакетът съдържа само необходимите елементи. Положени са всички усилия, за да се гарантира, че трите компонента на опаковката са лесни за разделяне: картонена кутия, полистиролова пяна (вътрешна защита) и полиетилен (торбички, защитен лист). Устройството е изработено от материали, които могат да бъдат рециклирани и повторно използвани, след като се демонтират от специализирана фирма. Спазвайте местните разпоредби за изхвърляне на опаковъчни материали, отпадъчни батерии и ненужно оборудване.

Записването и възпроизвеждането на материали може да изисква съгласие. Вижте Закона за авторските права и правата на изпълнителите/ артистите.

### Забележка относно ERP2 (на устройства, свързани с енергопотребление)

Настоящото устройство с екопроекта отговаря на изискванията на етап 2 от Регламента на Комисията (ЕО) № 1275/2008 за прилагане на Директива 2009/125 / ЕО относно консумацията на енергия от електроуреди за офиса и дома.

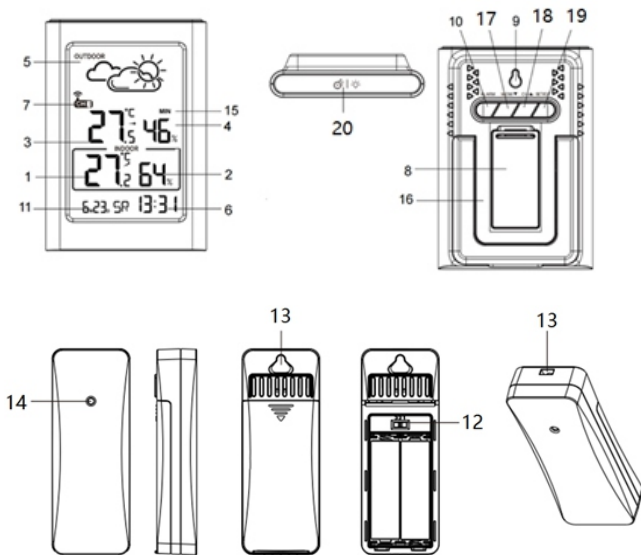
Благодарим за покупката на нашата метеорологична станция. Този модел има следните функции.

### Функции

- Прогноза за времето: слънчево, частично облачно, облачно, дъжд, сняг.
- Вътрешна / външна температура.
- Вътрешна / външна влажност.
- Памет на минималните и максималните стойности на измервания на вътрешната и външната температура и влажност.
- 12/24-часов формат на часовника, календар.
- Аларма с функция за дрямка
- Поддържа до 3 външни сензора, работещи по различни канали (в комплекта е включен само 1 сензор)

Моля, прочетете внимателно тази инструкция и се запознайте с нея преди да пуснете устройството. Моля, съхранете инструкцията за използване в бъдещето.

### Дисплей и управляващи елементи




- |  |                                 |
|--|---------------------------------|
| 1. Вътрешна температура/ тенденция   | 2. Вътрешна влажност            |
| 3. Външна температура/ тенденция   | 4. Външна влажност              |
| 5. Анимирана прогноза за времето   | 6. Часовник                     |
| 7. Индикатор за външния канал на сензора   | 8. Капак на гнездото за батерии |
| 9. Монтажен отвор за окачване  |                                 |
| 10-17-18-19: Бутони за настройка: аларма, памет (MEM)/ надолу , канал (CH)/ нагоре ,<br>настройки (SET), | 11. Календар                    |
| 12. Превключвател на канали на сензорите   | 13. Монтажни отвори за окачване |
| 14. Контролна лампичка на сензора  |                                 |
| 15. Данни за минималните и максималните стойности на измерванията на температура и<br>влажност           |                                 |
| 16. Сгъваема опора (разгънете, за да поставите върху масата)   |                                 |
| 20. Бутон за подсветка/дрямка  |                                 |

### Инсталация

Отворете капака на гнездото за батериите. Поставете 2 батерии тип AAA в метеорологичната станция, след което поставете 2 батерии тип AA във външния датчик според полярността, показана в гнездото. (Батериите са включени в комплекта)

За да получите най-добрата производителност на продукта, препоръчваме използването на висококачествени алкални батерии. Не се препоръчват батерии тип „Heavy Duty“ или акумулатори. Дисплеят на метеорологичната станция ще се изключи при разреждане на батериите. (Приблизително работно време с нова батерия: 6 месеца за метеорологичната станция, 12 месеца за външния безжичен сензор. Даденото работно време е само приблизително и зависи от много фактори, като, например, вид на използваните батерии, производител, работни условия и др.)

### Приемане на сигнал от външния безжичен сензор

Когато батерията е инсталирана правилно, метеорологичната станция автоматично открива и приема сигнал от измерване на външната температура и влажност от външния безжичен сензор. Търсенето на сигнала ще отнеме максимум 3 минути. Безжичният символ (намиращ се близо до канала на дисплея)  ще мига на дисплея по време на търсенето и ще се стабилизира, когато сигналът бъде успешно приет. Ако станцията не приеме сигнал от външния сензор, индикаторът за приемане на сигнала ще изчезне след 3 минути и на дисплея вместо данните за външната температура и влажност ще се покаже следният символ: „-“. За да активирате отново търсенето на сигнала от външния сензор, натиснете и задръжте бутона „нагоре“ за 3 секунди.

### Поставяне на устройството и други забележки:

1. Метеостанцията може да работи максимално с три външни безжични сензора. За да настроите желаните канали на сензора, отворете капака на батерията и настройте превключвателя на каналите в съответното положение (има 3 канала за избор). След като настроите превключвателя във външния сензор на канал номер 1, изберете също канал номер 1 в метеорологичната станция – за целта натиснете бутона за канал (CH)/ нагоре, за да изберете канал 1. По същия метод можете да чифтосате два допълнителни опционални сензора, като използвате канали 2 и 3, за да ги свържете. В комплекта е включен само 1 външен сензор.

2. Моля, поставете и използвайте метеорологичната станция и външния сензор на разстояние от 1.5~2 метра от източници на смущения, като например компютърни дисплеи или телевизори. Метеостанцията също трябва да бъде поставена далече от прозорци с метални рамки.



3. Не използвайте други електронни продукти, като например слушалки или високоговорители, работещи със същата честота на сигнала (433.92 MHz), тъй като те могат да причиняват смущения. Помнете, че ако съседите ви използват електронни устройства, работещи със същата честота на сигнала (433.92 MHz), те също могат да причинят смущения в правилната работа.
4. За да осигурите точно измерване на вътрешната температура, поставете метеорологичната станция на сухо място, без замърсявания и прах. Изберете място далече от пряко въздействие на слънчевата светлина и други източници на топлина, както и далече от вентилационни отвори.
5. Безжичният сензор може да бъде инсталиран на открито. За възможно най-добрата точност на измерването поставете сензора във вертикално положение, най-малко на височина от 1,5 ~ 2 метра от земята, на място, защитено от дъжд и с добра циркулация на въздуха. Не излагайте сензора на пряко въздействие на слънчевата светлина за продължително време.
6. Максималното работно разстояние на безжичния сензор е 80 метра от метеорологичната станция, без препятствия между тях.
7. Сигналът от безжичния сензор се изпраща до станцията на всеки 114 секунди (канал 1), 134 секунди (канал 2), 158 секунди (канал 3).

### **Настройки на календара/езика/часовника**

Натиснете и задръжте бутона за настройка (SET) за 3 секунди, докато на дисплея се появи миганият символ ON или OFF, натиснете бутона нагоре или надолу, за да включите или изключите звука на бутоните, натиснете бутона за настройка (SET), за да потвърдите избора и преминете към настройката на година. Повторете тези стъпки в същата последователност, за да зададете други параметри, като например: календарен формат/месец/дата/ден на седмицата/език – наличните езици са: GE (немски), EN (английски), FR (френски), IT (италиански), SP (испански), DU (холандски), DA (датски) / формат на часа/час/минута. (Натиснете и задръжте бутона нагоре или надолу, за да ускорите настройката; устройството автоматично ще съхрани и ще излезе от текущите настройки, ако в рамките на 20 секунди не е натиснат нито един бутон)

### **Аларма и дрямка**

Натиснете и задръжте бутона АЛАРМА, за да активирате режима на настройка на алармата, натиснете бутона нагоре или надолу, за да настроите часа на алармата, натиснете бутона АЛАРМА, за да потвърдите избора и преминете към настройката на минутите на алармата, която се прави по същия начин, както и настройката на часа. Краткотрайно натискане на бутона АЛАРМА може да прекрати настройката на алармата, повторно натискане на бутона АЛАРМА може да активира/деактивира алармата (За правилно включената аларма съобщава иконата за звънец между индикатора за час и минута на дисплея). Натиснете горния бутон за подсветка/дрямка, за да се върнете към показването на време по часовника.

Когато алармата звънне в зададеното време, натиснете който и да е бутон (с изключение на бутона за подсветка/дрямка), за да анулирате звука на алармата и алармата ще се включи на следващия ден по същото време. Докато алармата е в ход, кратко натиснете бутона за подсветка/дрямка, за да активирате функцията за дрямка, която ще активира алармата отново след 5 минути. Дрямката може да се повтаря на всеки 5 минути. Натиснете който и да е друг бутон (с изключение на бутона за подсветка/дрямка), за да отмените дрямката. Звукът на алармата ще продължи 2 минути, ако не бъде отменен по-рано.

### **Температура и влажност**

1. Диапазон на измерване на вътрешната температура:  $-10 \sim +50 \text{ }^{\circ}\text{C} / 14 \sim 122 \text{ }^{\circ}\text{F}$ .
  2. Диапазон на измерване на външната температура:  $-30 \sim +60 \text{ }^{\circ}\text{C} / -22 \sim 140 \text{ }^{\circ}\text{F}$ .
- Забележка: L.L.L.L.L.L.L.H.H.H.H. ще се появи на дисплея, когато измерената температурна стойност е извън горепосочения диапазон
3. Диапазон на измерване на вътрешната и външната влажност: 1%-99%
- Забележка: LL% или HH% ще се появи на дисплея, когато измерената стойност на влажността е извън горепосочения диапазон
4. Точност на измерване на температурата:  $\pm 1,0^{\circ}\text{C}$  в диапазона от  $0^{\circ}\text{C}$  до  $+50^{\circ}\text{C} / 32^{\circ}\text{F} \sim 104^{\circ}\text{F}$ .  $\pm 1,5^{\circ}\text{C}$  извън горепосочения диапазон.
  5. Точност на измерване на влажността:  $\pm 5\%$  (в диапазона от 40 до 70%),  $\pm 8\%$  извън диапазона
  6. Натиснете бутона Memory (MEM), за да проверите максималните и минималните стойности на измерване, натиснете и задръжте бутона Memory (MEM), за да изтриете ръчно тези данни. (Забележка: Максималните и минималните стойности на измерванията ще бъдат автоматично изтривани в 00:00 часа всеки ден).
  7. Натиснете бутона настройки (SET), за да промените температурната единица: от  $^{\circ}\text{C}$  (градуси по Целзий) на  $^{\circ}\text{F}$  (градуси по Фаренгейт).

### Тенденция на температурата

Стрелка близо до температурните данни показва температурната тенденция. Посоката ѝ се променя в зависимост от това дали последното отчитане на температурата е по - високо или по - ниско от предишните отчитания.

Стрелка, сочеща нагоре = температурата се е повишила с  $1^{\circ}\text{C}$  през последния час.

Стрелка, сочеща на право = температурата се е променила с по - малко от  $1^{\circ}\text{C}$  през последния час.

Стрелка, сочеща надолу = температурата е спаднала с  $1^{\circ}\text{C}$  през последния час.

### Анимирана прогноза за времето

Прогнозата за времето се основава върху събраните почасови данни за температурата и влагата от външния сензор. Станцията прогнозира метеорологичните условия за следващите 12 часа с точност 70 -75%. Иконата по подразбиране за прогнозата за времето се задава като „частично облачно покритие“, метеорологичната станция автоматично ще калибрира прогнозата за времето през първите 1 -2 седмици от експлоатация въз основа на данните за температурата и влажността от външния сензор.

Безжичният сензор трябва да бъде поставен на открито, за да се получат точни данни за температурата и влажността, в противен случай точността на прогнозата за времето ще бъде засегната.

Прогнозата за времето ще се появи в една от следните комбинации:



СЛЪНЧЕВО



ЧАСТИЧНО ОБЛАЧНО



ОБЛАЧНО



ДЪЖД



СНЯГ

Моля, имайте предвид, че устройството прогнозира времето въз основа на ограничени параметри и прогнозата може да се различава от официалните прогнози за времето, които се изчисляват въз основа на усъвършенствани алгоритми.

### Индикатор за точката на замръзване

Когато външната температура падне под 3°C/34°F, този символ ще се появи на дисплея



и станцията ще излъчи предупредителен сигнал.

### Решаване на проблеми

Липса на информация на дисплея	<ul style="list-style-type: none"> <li>❖ Проверете дали батериите са правилно монтирани в уреда.</li> </ul>
Температурата от външния сензор не се показва.	<ul style="list-style-type: none"> <li>❖ Проверете дали разстоянието между станцията и сензора не надвишава 30 m (препоръчително)</li> <li>❖ Уверете се, че станцията и сензорът се намират на разстояние най-малко 2 m от мониторите и телевизорите.</li> <li>❖ Избягвайте поставяне на устройствата върху или близо до метални рами на прозорци.</li> <li>❖ Избягвайте да използвате станцията близо до електронни устройства, като, например, високоговорители, които работят с една и съща честота (433 MHz).</li> <li>❖ Моля, проверете внимателно дали станцията и външният безжичен сензор са настроени на един и същ канал.</li> <li>❖ Извадете батериите, изчакайте малко и след това ги поставете отново.</li> </ul>
Показаната температура е неправилна.	<ul style="list-style-type: none"> <li>❖ Извадете батериите, изчакайте малко и след това ги поставете отново.</li> <li>❖ Уверете се, че станцията или сензорът не са засегнати от източници на топлина, климатици и др. или сензорът е разположен на мястото, изложено на пряко въздействие на слънчевата светлина.</li> </ul>

**Спецификация:**

Показване на вътрешната/външната температура

Показване на вътрешната/външната влажност

Индикация на тенденция на температурата

Запис на максималната/минималната температура/влажност през деня

Прогноза за времето за следващите 12 -24 часа

Часовник (12/24 - часов формат) и календар

Показване на дните на седмицата на 7 езика (EN/GE/DA/SP/DU/IT/FR)

Аларма с функция за дрямка

Безжичен външен сензор (1 бр. е включен в комплекта)

Обслужва до 3 външни сензора

LCD дисплей с подсветка

Размер на LCD дисплея: 61 x 93 mm

Източник на захранване на метеорологичната станция: 2 x 1,5V батерия (размер AAA, включени в комплекта)

Източник на захранване на безжичния сензор: 2 x 1,5V батерия (размер AA, включени в комплекта)

Закачалка за стена/стойка

IP54 (клас на водоустойчивост за безжичния сензор)

Работна честота на безжичния сензор: 433,92 MHz

Консумация на мощност: 18 mW (метеорологична станция), 24 mW (безжичен сензор)

Размери на метеорологичната станция: 87 x 25 x 125 mm

Нетно тегло на метеорологичната станция: 0,134 kg

Размери на сензора: 38 x 19 x 100 mm

Нетно тегло на сензора: 0,032 kg

### Σημαντικές πληροφορίες

- Πρέπει να κρατήσετε τις οδηγίες χρήσης και τις πληροφορίες σχετικά με την ασφάλεια με σκοπό τη μελλοντική χρήση τους.
- Δεν επιτρέψτε κανένα υγρό να μπάξει ή να χυθεί στη συσκευή.
- Δεν επιτρέπεται να χρησιμοποιήσετε τη συσκευή σε μέρη με υγρασία όπως π.χ. μπάνιο.
- Δεν επιτρέπεται να εγκαταστήσετε αυτή τη συσκευή στα ακόλουθα μέρη:
- Μέρη εκτεθειμένα στην άμεση ακτινοβολία ή κοντά σε θερμάστρες.
- Μην τοποθετείτε πάνω στη συσκευή άλλο εξοπλισμό στερεό που εκπέμπει θερμότητα.
- Όπου μπλοκάρεται ο εξαερισμός ή σε μέρος με σκόνη.
- Σε μέρη εκτεθειμένα σε συνεχείς δονήσεις.
- Σε μέρη με μεγάλη υγρασία.
- Δεν επιτρέπεται να τοποθετήσετε τη συσκευή δίπλα σε κεριά και ανοιχτή φλόγα.
- Μπορείτε να χρησιμοποιήσετε τη συσκευή με τον τρόπο που περιγράφεται στις παρούσες οδηγίες χρήσης.
- Πριν από την πρώτη ενεργοποίηση, πρέπει να βεβαιωθείτε ότι το τροφοδοτικό είναι κατάλληλα συνδεδεμένο.

Για λόγους ασφαλείας δεν επιτρέπεται να αποσυναρμολογήσετε το περίβλημα ούτε να έχετε πρόσβαση στο μέσο της συσκευής. Η συσκευή πρέπει να επισκευαστεί από το εξειδικευμένο προσωπικό του σέρβις.

Δεν επιτρέπεται να ξεβιδώσετε τη συσκευή ούτε να ανοίξετε το περίβλημά της, γιατί μέσα δεν υπάρχουν εξαρτήματα που μπορεί να επισκευαστούν από τον χρήστη. Η συντήρηση και η επισκευή του εξοπλισμού εκτελείται αποκλειστικά από τους εξουσιοδοτημένους υπάλληλους σέρβις.

### ΣΗΜΑΝΤΙΚΕΣ ΠΛΗΡΟΦΟΡΙΕΣ ΣΧΕΤΙΚΑ ΜΕ ΤΗΝ ΑΣΦΑΛΕΙΑ

1. Διαβάστε τις οδηγίες χρήσης – πριν χρησιμοποιήσετε τη συσκευή πρέπει να διαβάσετε όλες τις οδηγίες χρήσης και τις πληροφορίες για την ασφάλεια.
2. Φυλάξτε τις οδηγίες χρήσης – πρέπει να φυλάξετε τις οδηγίες χρήσης και χειρισμού με σκοπό να τις χρησιμοποιήσετε στο μέλλον.
3. Κολουθήστε τις προειδοποιήσεις – πρέπει να ακολουθήσετε όλες τις προειδοποιήσεις που είναι τοποθετημένες πάνω στη συσκευή και να ακολουθήσετε τις οδηγίες χρήσης.
4. Ακολουθήστε τις οδηγίες χρήσης – πρέπει να ακολουθήσετε τις οδηγίες χρήσης και τις συμβουλές για τον χρήστη.
5. Εγκατάσταση – πρέπει να τοποθετήσετε τη συσκευή σύμφωνα με τις οδηγίες του κατασκευαστή.
6. Πηγή τροφοδοσίας – η συσκευή πρέπει να τροφοδοτηθεί αποκλειστικά από τις πηγές με τις παραμέτρους που αναφέρονται στις επισημάνσεις του καλωδίου τροφοδοσίας. Αν ο χρήστης δεν είναι σίγουρος ποιανού τύπου τροφοδοσία έχει στο σπίτι του, πρέπει να επικοινωνήσει με τον πωλητή της συσκευής ή τον τοπικό προμηθευτή ηλεκτρικής ενέργειας.
7. Νερό και υγρασία – για να μειώσετε τον κίνδυνο πυρκαγιάς ή ηλεκτροπληξίας, δεν επιτρέπεται να εκθέτετε τη συσκευή στην άμεση επίδραση βροχής, νερού και υγρασίας όπως π.χ. στη σάουνα ή το μπάνιο. Μην χρησιμοποιείτε την παρούσα συσκευή δίπλα σε νερό, π.χ. δίπλα σε μια μπανιέρα, νιπτήρα, νεροχύτη κουζίνας ή σκάφη, σε ένα υπόγειο με υγρασία ή δίπλα σε πισίνα (ή σε παρόμοιους τόπους).
8. Αντικείμενα και υγρά μέσα στη συσκευή – δεν επιτρέπεται να πιέσετε οποιοδήποτε αντικείμενο μέσα από τα ανοίγματα της συσκευής, γιατί αυτά μπορεί να έχουν επαφή με τα σημεία της επικίνδυνης ηλεκτρικής τάσης και τα υποσυστήματα και αυτό μπορεί να προκαλέσει πυρκαγιά. Σε καμία περίπτωση μη χύσετε οποιοδήποτε υγρό δίπλα στη συσκευή. Δεν επιτρέπεται να βάζετε πάνω στη συσκευή τα αντικείμενα που περιέχουν υγρά.

9. Σέρβις – μην δοκιμάσετε να εκτελέσετε επιθεωρήσεις της συσκευής μόνοι σας. Το να ανοίξετε το κάλυμμα μπορεί να προκαλέσει επαφή με επικίνδυνη ηλεκτρική τάση και να εκτεθεί ο χρήστης σε άλλου κινδύνους. Η συντήρηση και η επισκευή του εξοπλισμού εκτελείται αποκλειστικά από τους εξουσιοδοτημένους υπάλληλους σέρβις.

10. Ανταλλακτικά – όταν αντικαθιστάτε εξαρτήματα πρέπει να ελέγχετε αν ο υπάλληλος του σέρβις έχει χρησιμοποιήσει τα ανταλλακτικά που προτείνονται από τον κατασκευαστή ή τα εξαρτήματα είναι ίδια όπως τα γνήσια εξαρτήματα. Η αντικατάσταση εξαρτημάτων με μην εγκεκριμένα προκαλεί κίνδυνο πυρκαγιάς, ηλεκτροπληξίας και άλλους κινδύνους.

11. Η μέγιστη θερμοκρασία περιβάλλοντος πρέπει είναι 35°C.

12. Οδηγίες σχετικά με τις ηλεκτροστατικές εκκινήσεις - αν η λειτουργία της συσκευής διαταράσσεται με τις ηλεκτροστατικές εκκινήσεις, πρέπει να την απενεργοποιήσετε και να την ενεργοποιήσετε ξανά ή να μεταφέρετε τη συσκευή σε άλλο τόπο.

13. Μπαταρία

a. Δεν επιτρέπεται να εκθέτετε τις μπαταρίες στη δράση υπερβολικής ζέστης όπως π.χ. ηλιακή ακτινοβολία.

b. Κατά τη διάθεση των μπαταριών, πρέπει να δώσετε σημασία στις παραμέτρους της προστασίας του περιβάλλοντος.

c. Προϊοποίηση σχετικά με χρήση των μπαταριών: για να μην επιτρέψετε αποσφράγιση των μπαταριών που μπορεί να προκαλέσει τραύματα ή να χαλάσει τη συσκευή:

- Όταν βάζετε τη μπαταρία δώστε σημασία στην πόλωση της (+ και -).
- Δεν επιτρέπεται να χρησιμοποιήσετε ταυτόχρονα διαφορετικές μπαταρίες - καινούργιες και μεταχειρισμένες, τις μπαταρίες σπάνταρ και αλκαλικές κλπ.
- Πρέπει να βγάλετε τις μπαταρίες από τη συσκευή δεν τη χρησιμοποιείτε πολλή ώρα.

## ΠΡΟΙΟΔΟΠΟΙΗΣΗ

Η συσκευή δεν επιτρέπεται να χρησιμοποιηθεί από πρόσωπα (συμπεριλαμβανόμενων των παιδιών) με μειωμένη φυσική και αισθητηριακή ικανότητα και τα πρόσωπα με ανεπαρκή γνώση και εμπειρία, αν δεν είναι υπό την εποπτεία του προσώπου που είναι υπεύθυνο για την ασφάλειά τους και δεν έχουν εκπαιδευθεί πως να χρησιμοποιούν τη συσκευή με ασφαλή τρόπο. Η παρουσία των ενηλίκων απαιτείται όταν τα παιδιά χειρίζονται τη συσκευή- έτσι θα διασφαλίσετε την ασφαλή χρήση της συσκευής.

1. Δεν επιτρέπεται να αφήνετε τη συσκευή όταν λειτουργεί χωρίς καμία εποπτεία! Πρέπει να απενεργοποιείτε τη συσκευή όταν δεν τη χρησιμοποιείτε, ακόμη για ένα σύντομο διάστημα.

2. Δεν επιτρέπεται να μεταχειρίζεστε τη συσκευή μέσα από ένα εξωτερικό ρολόι με χρονικό σύστημα ούτε με ξεχωριστό σύστημα τηλεχειρισμού.

3. Για να αποφύγετε κίνδυνο σε περίπτωση βλάβης του καλωδίου τροφοδοσίας, η αντικατάστασή του πρέπει να εκτελείται από τον κατασκευαστή, την εξουσιοδοτημένη υπηρεσία σέρβις ή άλλο πρόσωπο που διαθέτει τα κατάλληλα προσόντα.

4. Πριν αρχίσετε να χειρίζεστε τη συσκευή, πρέπει να ελέγξετε αν η τάση της είναι συμβατή με την τάση του τοπικού ηλεκτρικού δικτύου.

5. Για να αποφύγετε πυρκαγιά ή ηλεκτροπληξία, πρέπει να προστατεύετε τη συσκευή από ζεστούς τόπους, τη δράση της βροχής, της υγρασίας και της σκόνης.

6. Δεν επιτρέπεται να εκθέτετε τη συσκευή σε ισχυρό μαγνητικό πεδίο.

7. Δεν επιτρέπεται να βάζετε τη συσκευή αμέσως στον ενισχυτή, δέκτη ή διακόπτη.

8. Δεν επιτρέπεται να βάζετε τη συσκευή σε ένα μέρος με υγρασία, γιατί η υγρασία έχει αρνητική επίδραση στα ηλεκτρικά συστήματα.

9. Μετά από μεταφορά της συσκευής από κρύο σε ζεστό τόπο ή σε τόπο με υγρασία, μπορεί να προκληθεί υγραποίηση της υγρασίας πάνω στον φακό μέσα στη συσκευή αναπαραγωγής. Σε μια τέτοια περίπτωση η συσκευή δεν θα λειτουργήσει σωστά. Πρέπει να αφήσετε τη συσκευή απενεργοποιημένη για περίπου μια ώρα, για να επιτρέψετε την εξάτμιση της υγρασίας.

10. Δεν επιτρέπεται να καθαρίζετε τη συσκευή με χημικούς διαλύτες, γιατί μπορεί να χαλάσουν το βερνίκι του περιβλήματος. Σκουπίζετε τη συσκευή με ένα καθαρό, στεγνό ή λίγο μουσκεμένο πανί.

**ΠΡΟΣΟΧΗ**



Δήλωση

Δια του παρόντος η εταιρεία Blaupunkt Competence Center 2N-Everpol Sp. z o.o. δηλώνει ότι η παρούσα συσκευή είναι συμβατή με τις προϋποθέσεις και τις λοιπές σχετικές προβλέψεις της

οδηγίας 2014/53 / EE. Μπορείτε να λάβετε την πλήρη δήλωση συμβατότητας από την ιστοσελίδα [www.blaupunkt.com](http://www.blaupunkt.com) στην καρτέλα του προϊόντος.  
 Κάτοχος άδειας κυκλοφορίας: 2N-Everpol Sp. Z o.o.  
 Puławska 403A, 02-801 Warszawa, Πολωνία  
 Τηλέφωνο: +48 22 688 08 00, e-mail: [info@everpol.pl](mailto:info@everpol.pl)



Το προϊόν κατασκευάστηκε από υλικά υψηλής ποιότητας και τα συστήματα, τα οποία μπορούν να ανακυκλωθούν και να χρησιμοποιηθούν ξανά.



Αν πάνω στη συσκευή υπάρχει το σύμβολο του διαγραμμένου κάδου, αυτό σημαίνει ότι το προϊόν καλύπτεται από τις προβλέψεις της ευρωπαϊκής οδηγίας 2012/19/EU. Πρέπει να εξοικειωθείτε με τις απαιτήσεις του τοπικού συστήματος συγκέντρωσης απορριπτόμενου εξοπλισμού και υπολειμμάτων υλικού διάλυσης. Πρέπει να ακολουθήσετε τους τοπικούς κανονισμούς. Μην απορρίψετε το προϊόν μαζί με τα κανονικά οικιακά απορρίμματα. Η σωστή διάθεση του παλαιού προϊόντος προστατεύει από αρνητικά αποτελέσματα για το φυσικό περιβάλλον και την ανθρώπινη υγεία.



Η συσκευή είναι εξοπλισμένη με μπαταρίες οι οποίες ορίζονται με την ευρωπαϊκή οδηγία 2006/66/EC. Δεν επιτρέπεται να απορρίψετε τις μπαταρίες μαζί με τα οικιακά απορρίμματα. Πρέπει να εξοικειωθείτε με τους τοπικούς κανονισμούς για την ξεχωριστή συγκέντρωση των μπαταριών, διότι η κατάλληλη διάθεση προστατεύει από πιθανά αρνητικά αποτελέσματά της για το φυσικό περιβάλλον και την ανθρωπινή ζωή.

#### **Πληροφορίες για την προστασία του περιβάλλοντος**

Η συσκευασία περιέχει μόνο τα απαραίτητα στοιχεία. Έχει καταβληθεί κάθε δυνατή προσπάθεια ώστε τα τρία συστατικά της συσκευασίας να διαχωριστούν εύκολα: χαρτί (κουτί), αφρός πολυστερίνης (προστατευτικά μέσα στη συσκευασία) και πολυαιθυλένιο (σακούλες, προστατευτικό φύλλο). Η συσκευή κατασκευάστηκε από υλικά τα οποία μπορούν να ανακυκλωθούν και να χρησιμοποιηθούν ξανά μετά την αποσυμφορήσή τους. Πρέπει να ακολουθήσετε τους τοπικούς κανονισμούς σχετικά με τη διάθεση των υλικών συσκευασίας, των μεταχειρισμένων μπαταριών και των περιττών συσκευών.

Η εγγραφή και αναπαραγωγή υλικού μπορεί να απαιτήσει σχετική άδεια. Βλέπε το περί πνευματικών δικαιωμάτων και των δικαιωμάτων/δημιουργών/καλλιτεχνών νόμο.

#### **Παρατήρηση σχετικά με τις ERP2 (Συσκευές σχετικά με την ενέργεια)**

Η παρούσα συσκευή είναι οικολογικού σχεδιασμού και πληροί τις απαιτήσεις της φάσης 2 του Κανονισμού (ΕΚ) αριθ. 1275/2008 της Επιτροπής περί εφαρμογής της οδηγίας 2009/125/ΕΚ σχετικά με την κατανάλωση ενέργειας σε κατάσταση απενεργοποίησης και αναμονής του ηλεκτρικού και ηλεκτρονικού εξοπλισμού γραφείου και οικιακού εξοπλισμού.

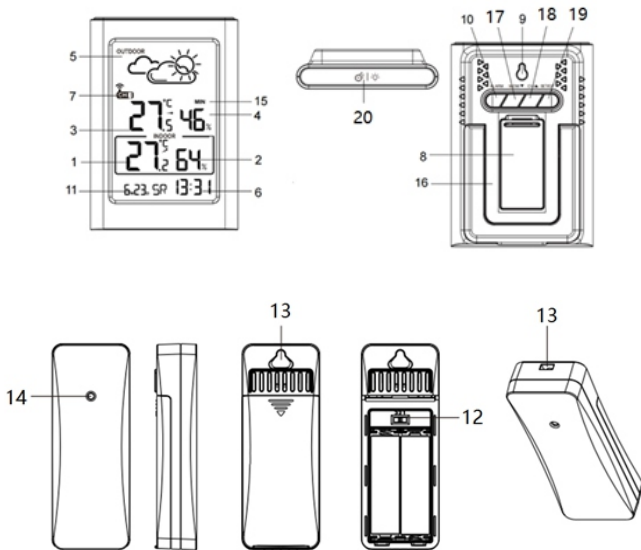
Σας ευχαριστούμε που αγοράσατε τον μετεωρολογικό μας σταθμό. Αυτό το μοντέλο έχει τα ακόλουθα χαρακτηριστικά.

### Λειτουργίες

- Πρόγνωση καιρού: ηλιοφάνεια, μερική συννεφιά, συννεφιά, βροχή, χιόνι.
- Θερμοκρασία εσωτερικού / εξωτερικού χώρου.
- Υγρασία εσωτερικού / εξωτερικού χώρου.
- Μνήμη των ελάχιστων και μέγιστων τιμών των εσωτερικών και εξωτερικών μετρήσεων θερμοκρασίας και υγρασίας.
- Λειτουργία ρολογιού 12/24 ωρών, ημερολόγιο.
- Συναγερμός με λειτουργία αδράνειας
- Υποστηρίζει έως 3 εξωτερικούς αισθητήρες που λειτουργούν σε διαφορετικά κανάλια (περιλαμβάνεται μόνο 1 αισθητήρας)

Διαβάστε προσεκτικά αυτές τις οδηγίες χρήσης και πριν ξεκινήσετε τη συσκευή. Κρατήστε αυτές τις οδηγίες χρήσης για μελλοντική αναφορά.

### Οθόνη και χειριστήρια






1. Θερμοκρασία εσωτερικού χώρου / τάση
3. Θερμοκρασία εξωτερικού χώρου / τάση
5. Πρόγνωση καιρού με κινούμενα σχέδια
7. Ένδειξη καναλιού εξωτερικού αισθητήρα
9. Οπή στερέωσης για κρέμασμα
- 10-17-18-19: Κουμπιά ρύθμισης: συναγερμός, μήνη (MEM)/κάτω, κανάλι (CH)/ πάνω , ρυθμίσεις (set),
12. Διακόπτης καναλιών αισθητήρα
14. Ενδεικτική λυχνία αισθητήρα
15. Δεδομένα ελαχιστων και μέγιστων τιμών μετρήσεων θερμοκρασίας και υγρασίας
16. Πτυσσόμενη βάση (ξεδιπλώνεται για να τοποθετηθεί στο τραπέζι)
20. Κουμπί οπίσθιου φωτισμού/αδράνεια
2. Υγρασία εσωτερικού χώρου
4. Υγρασία εξωτερικού χώρου
6. Ρολόι
8. Καπάκι της θήκης μπαταριών
11. Ημερολόγιο
13. Ανοίγματα στερέωσης για κρέμασμα

### Εγκατάσταση

Ανοίξτε το καπάκι της θήκης μπαταριών. Εισαγάγετε 2 μπαταρίες AAA στον μετεωρολογικό σταθμό και, στη συνέχεια, τοποθετήστε 2 μπαταρίες AA στον εξωτερικό αισθητήρα, σύμφωνα με την πολικότητα που εμφανίζεται στη θήκη. (Περιλαμβάνονται μπαταρίες) Προκειμένου να επιτευχθεί η καλύτερη απόδοση του προϊόντος, συνιστούμε τη χρήση αλκαλικών μπαταριών υψηλής ποιότητας. Δεν συνιστώνται μπαταρίες τύπου «Heavy Duty» ή επαναφορτιζόμενες μπαταρίες. Η οθόνη του μετεωρολογικού σταθμού θα απενεργοποιηθεί όταν η μπαταρία αποφορτιστεί. (Χρόνος εργασίας κατά προσέγγιση με τη νέα μπαταρία: 6 μήνες για τον μετεωρολογικό σταθμό, 12 μήνες για τον εξωτερικό ασύρματο αισθητήρα. Οι δεδομένοι χρόνοι εργασίας είναι μόνο εκτιμήσεις και εξαρτώνται από πολλούς παράγοντες, όπως ο τύπος των μπαταριών που χρησιμοποιούνται, ο κατασκευαστής, οι συνθήκες εργασίας κ.λπ.)

### Λήψη σήματος από εξωτερικό ασύρματο αισθητήρα

Αφού εγκατασταθεί σωστά η μπαταρία, ο μετεωρολογικός σταθμός ανιχνεύει αυτόματα και λαμβάνει το σήμα εξωτερικής θερμοκρασίας και υγρασίας από τον εξωτερικό ασύρματο αισθητήρα. Η ανάκτηση σήματος θα διαρκέσει το πολύ 3 λεπτά. Το ασύρματο σύμβολο (κοντινό κανάλι στην οθόνη)  θα αναβοσβήνει κατά την αναζήτηση και θα σταθεροποιηθεί μετά την επιτυχή λήψη του σήματος. Εάν ο σταθμός δεν λάβει σήμα από εξωτερικό αισθητήρα, η ένδειξη λήψης σήματος θα εξαφανιστεί μετά από 3 λεπτά και η οθόνη αντί για τα δεδομένα θερμοκρασίας και εξωτερικής υγρασίας θα εμφανίσει το ακόλουθο σύμβολο: «-». Για να ενεργοποιήσετε ξανά την αναζήτηση σήματος από τον εξωτερικό αισθητήρα, πατήστε και κρατήστε πατημένο το κουμπί «πάνω» για 3 δευτερόλεπτα.

### Τοποθέτηση της συσκευής και άλλες παρατηρήσεις:

1. Ο μετεωρολογικός σταθμός μπορεί να λειτουργήσει με έως και τρεις εξωτερικούς ασύρματους αισθητήρες. Για να ορίσετε το επιθυμητό κανάλι αισθητήρα, ανοίξτε το καπάκι της μπαταρίας και ρυθμίστε τον διακόπτη του καναλιού στη σωστή θέση (υπάρχουν 3 κανάλια από τα οποία μπορείτε να επιλέξετε). Αφού ρυθμίσετε τον διακόπτη στον εξωτερικό αισθητήρα στο κανάλι 1, επιλέξτε επίσης το κανάλι 1 στον μετεωρολογικό σταθμό – για να το κάνετε αυτό , πατήστε το κουμπί καναλιού (CH)/πάνω για να επιλέξετε το κανάλι 1. Με την ίδια μέθοδο, μπορείτε να συνδέσετε δύο πρόσθετους προαιρετικούς αισθητήρες χρησιμοποιώντας τα κανάλια 2 και 3 για να τους συνδέσετε. Περιλαμβάνεται μόνο 1 εξωτερικός αισθητήρας.
2. Τοποθετήστε και χρησιμοποιήστε τον μετεωρολογικό σταθμό και έναν εξωτερικό αισθητήρα εντός 1,5~2 μέτρων από πηγές παρεμβολών, όπως οθόνες υπολογιστών ή τηλεοράσεις. Ο μετεωρολογικός σταθμός πρέπει επίσης να τοποθετείται μακριά από παράθυρα με μεταλλικά πλαίσια.
3. Μην χρησιμοποιείτε άλλα ηλεκτρονικά προϊόντα, όπως ακουστικά ή ηχεία, που λειτουργούν

στην ίδια συχνότητα σήματος (433,92 MHz), καθώς μπορεί να προκαλέσουν παρεμβολές. Λάβετε υπόψη ότι εάν οι γείτονές σας χρησιμοποιούν ηλεκτρονικές συσκευές που λειτουργούν στην ίδια συχνότητα σήματος (433,92 MHz), ενδέχεται επίσης να προκαλέσουν παρεμβολές στην ορθή λειτουργία.

4. Για να διασφαλίσετε την ακριβή μέτρηση της εσωτερικής θερμοκρασίας, τοποθετήστε τον μετεωρολογικό σταθμό σε ξηρό μέρος, χωρίς ακαθαρσίες και σκόνη. Επιλέξτε ένα μέρος μακριά από το άμεσο ηλιακό φως και άλλες πηγές θερμότητας, καθώς και μακριά από ανοίγματα αερισμού.

5. Ο ασύρματος αισθητήρας μπορεί να εγκατασταθεί σε εξωτερικό χώρο. Για την καλύτερη δυνατή ακρίβεια της μέτρησης, τοποθετήστε τον αισθητήρα σε κατακόρυφη θέση, τουλάχιστον 1,5 ~ 2 μέτρα από το έδαφος, σε χώρο προστατευμένο από τη βροχή και με καλή κυκλοφορία του αέρα. Μην εκθέτετε τον αισθητήρα σε άμεσο ηλιακό φως για μεγάλα χρονικά διαστήματα.

6. Η μέγιστη απόσταση λειτουργίας του ασύρματου αισθητήρα είναι 80 μέτρα από τον μετεωρολογικό σταθμό, χωρίς εμπόδια μεταξύ τους.

7. Το σήμα από τον ασύρματο αισθητήρα αποστέλλεται στο σταθμό κάθε 114 δευτερόλεπτα (κανάλι 1), 134 δευτερόλεπτα (κανάλι 2), 158 δευτερόλεπτα (κανάλι 3).

### **Ρυθμίσεις ημερολογίου/γλώσσας/ρολογιού**

Πατήστε και κρατήστε πατημένο το κουμπί ρυθμίσεων (SET) για 3 δευτερόλεπτα μέχρι να εμφανιστεί στην οθόνη το σύμβολο ON ή OFF που αναβοσβήνει, πατήστε το κουμπί πάνω ή κάτω για να ενεργοποιήσετε ή να απενεργοποιήσετε τον ήχο των κουμπιών, πατήστε το κουμπί ρυθμίσεων (SET) για να επιβεβαιώσετε την επιλογή και μεταβείτε στη ρύθμιση έτους.

Επαναλάβετε αυτά τα βήματα με την ίδια σειρά για να ορίσετε άλλες παραμέτρους όπως: μορφή ημερολογίου/μήνας/ημερομηνία/ημέρα της εβδομάδας/γλώσσα – οι διαθέσιμες γλώσσες είναι: GE (γερμανικά), EN (αγγλικά), FR (γαλλικά), IT (ιταλικά), SP (ισπανικά), DU (ολλανδικά), DA (δανικά) /μορφή ώρας/ώρα/λεπτό. (Πατήστε και κρατήστε πατημένο το κουμπί προς τα πάνω ή προς τα κάτω για να επιταχύνετε τη ρύθμιση· οι τρέχουσες ρυθμίσεις θα αποθηκευτούν αυτόματα και θα τερματιστούν εάν δεν πατηθεί κανένα κουμπί εντός 20 δευτερολέπτων)

### **Συναγερμός και αδράνεια**

Πατήστε και κρατήστε πατημένο το κουμπί ΣΥΝΑΓΕΡΜΟΥ για να ενεργοποιήσετε τη λειτουργία ρύθμισης συναγερμού, πατήστε το κουμπί πάνω ή κάτω για να ρυθμίσετε την ώρα συναγερμού, πατήστε το κουμπί ΣΥΝΑΓΕΡΜΟΣ για να επιβεβαιώσετε την επιλογή και μεταβείτε στη ρύθμιση λεπτών συναγερμού, η οποία γίνεται με τον ίδιο τρόπο όπως η ρύθμιση ώρας. Ένα σύντομο πάτημα του κουμπιού ΣΥΝΑΓΕΡΜΟΣ μπορεί να ολοκληρώσει τη ρύθμιση του συναγερμού, το ξανά πάτημα του κουμπιού ΣΥΝΑΓΕΡΜΟΣ μπορεί να ενεργοποιήσει/απενεργοποιήσει τον συναγερμό (Το εικονίδιο του κουδουνιού, που εμφανίζεται μεταξύ των ωρών και των λεπτών στην οθόνη, ενημερώνει για έναν σωστά ενεργοποιημένο συναγερμό). Πατήστε το πάνω κουμπί οπίσθιου φωτισμού/αδράνειας για να επιστρέψετε στην ένδειξη ώρας του ρολογιού. Όταν χτυπήσει ο συναγερμός την καθορισμένη ώρα, πατήστε οποιοδήποτε κουμπί (εκτός από το κουμπί οπίσθιου φωτισμού/αδράνειας) για να ακυρώσετε τον ήχο συναγερμού και ο συναγερμός θα ηχησει ξανά την ίδια ώρα την επόμενη μέρα. Ενώ ο συναγερμός βρίσκεται σε εξέλιξη, πατήστε στιγμιαία το κουμπί οπίσθιου φωτισμού/αδράνειας για να ενεργοποιήσετε τη λειτουργία αδράνειας, η οποία θα επανενεργοποιήσει τον συναγερμό μετά από 5 λεπτά. Η αδράνεια μπορεί να επαναλαμβάνεται κάθε 5 λεπτά. Πατήστε οποιοδήποτε άλλο κουμπί (εκτός από το κουμπί οπίσθιου φωτισμού/αδράνειας) για να ακυρώσετε την απενεργοποίηση. Ο ήχος συναγερμού θα συνεχιστεί για 2 λεπτά εάν δεν ακυρωθεί νωρίτερα.

### **Θερμοκρασία και υγρασία**

1. Εύρος μέτρησης θερμοκρασίας εσωτερικού χώρου: -10 ~ +50 °C / 14 ~ 122 °F.

- Εύρος μέτρησης εξωτερικής θερμοκρασίας:  $-30 \sim +60 \text{ }^\circ\text{C}$  /  $-22 \sim 140 \text{ }^\circ\text{F}$ .  
Προσοχή: LL.L  $^\circ\text{C}$  ή HH.H  $^\circ\text{C}$  θα εμφανιστεί στην οθόνη όταν η μετρούμενη τιμή θερμοκρασίας είναι εκτός του παραπάνω εύρους
- Εύρος μέτρησης υγρασίας εσωτερικού και εξωτερικού χώρου: 1%-99%  
Προσοχή: Το LL.% ή το HH.% θα εμφανίζονται στην οθόνη όταν η μετρούμενη τιμή υγρασίας είναι εκτός του παραπάνω εύρους
- Ακρίβεια μέτρησης θερμοκρασίας:  $\pm 1.0 \text{ }^\circ\text{C}$  στην περιοχή από  $0 \text{ }^\circ\text{C}$  έως  $+50 \text{ }^\circ\text{C}$  /  $32 \text{ }^\circ\text{F} \sim 104 \text{ }^\circ\text{F}$ .  
 $\pm 1,5 \text{ }^\circ\text{C}$  εκτός του παραπάνω εύρους τιμών.
- Ακρίβεια μέτρησης υγρασίας:  $\pm 5\%$  (εύρος 40 έως 70%),  $\pm 8\%$  εκτός εύρους
- Πατήστε το κουμπί μνήμης (MEM) για να ελέγξετε τις μέγιστες και ελάχιστες τιμές μέτρησης, πατήστε και κρατήστε πατημένο το κουμπί Memory (MEM) για να διαγράψετε χειροκίνητα αυτά τα δεδομένα. (Προσοχή: Οι μέγιστες και ελάχιστες τιμές μέτρησης θα διαγράφονται αυτόματα στις 00:00 κάθε μέρα).
- Πατήστε το κουμπί ρυθμίσεις (SET) για να αλλάξετε τη μονάδα θερμοκρασίας: από  $^\circ\text{C}$  (βαθμοί Κελσίου) σε  $^\circ\text{F}$  (βαθμοί Φαρενάιτ).

### Τάση θερμοκρασίας

Ένα βέλος κοντά στα δεδομένα θερμοκρασίας υποδεικνύει την τάση της θερμοκρασίας. Η κατεύθυνσή του αλλάζει ανάλογα με το αν η τελευταία ένδειξη θερμοκρασίας είναι υψηλότερη ή χαμηλότερη από τις προηγούμενες ενδείξεις.

Βέλος που δείχνει προς τα πάνω = η θερμοκρασία αυξήθηκε κατά  $1 \text{ }^\circ\text{C}$  την τελευταία ώρα.

Βέλος που δείχνει ευθεία = η θερμοκρασία έχει αλλάξει κατά λιγότερο από  $1 \text{ }^\circ\text{C}$  την τελευταία ώρα.

Βέλος που δείχνει προς τα κάτω = η θερμοκρασία έχει πέσει  $1 \text{ }^\circ\text{C}$  την τελευταία ώρα.

### Πρόγνωση καιρού με κινούμενα σχέδια

Η πρόγνωση του καιρού βασίζεται στα δεδομένα ωριαίας θερμοκρασίας και υγρασίας που συλλέγονται από τον εξωτερικό αισθητήρα. Ο σταθμός προβλέπει καιρικές συνθήκες για τις επόμενες 12 ώρες με ακρίβεια 70-75%. Το προεπιλεγμένο εικονίδιο πρόγνωσης καιρού έχει ρυθμιστεί σε «μερική συννεφιά», ο μετεωρολογικός σταθμός θα βαθμονομήσει αυτόματα την πρόγνωση καιρού τις πρώτες 1-2 εβδομάδες λειτουργίας με βάση τα δεδομένα θερμοκρασίας και υγρασίας από τον εξωτερικό αισθητήρα.

Ο ασύρματος αισθητήρας πρέπει να τοποθετηθεί σε εξωτερικό χώρο για να ληφθούν ακριβή δεδομένα θερμοκρασίας και υγρασίας, διαφορετικά θα επηρεαστεί η ακρίβεια της πρόγνωσης του καιρού.

Η πρόγνωση καιρού θα εμφανιστεί σε έναν από τους παρακάτω συνδυασμούς:



ΗΛΙΟΛΟΥΣΤΑ



ΜΕΡΙΚΗ ΣΥΝΝΕΦΙΑ



ΣΥΝΝΕΦΙΑ



ΒΡΟΧΗ



ΧΙΟΝΙ

Λάβετε υπόψη ότι η συσκευή προβλέπει τον καιρό με βάση περιορισμένες παραμέτρους και μπορεί να διαφέρει από τις επίσημες προγνώσεις καιρού, οι οποίες υπολογίζονται με βάση προηγμένους αλγόριθμους.

**Δείκτης σημείου παγώματος**

Όταν η εξωτερική θερμοκρασία πέσει κάτω από τους 3°C/34°F, αυτό το σύμβολο θα εμφανιστεί στην οθόνη και ο σταθμός θα εκπέμψει ένα προειδοποιητικό σήμα.

**Αντιμετώπιση προβλημάτων**

Έλλειψη πληροφοριών στην οθόνη	<ul style="list-style-type: none"> <li>✧ Ελέγξτε εάν οι μπαταρίες έχουν εγκατασταθεί σωστά στη συσκευή.</li> </ul>
Η θερμοκρασία από τον εξωτερικό αισθητήρα δεν εμφανίζεται.	<ul style="list-style-type: none"> <li>✧ Ελέγξτε εάν η απόσταση μεταξύ του σταθμού και του αισθητήρα δεν υπερβαίνει τα 30 m (συνιστάται)</li> <li>✧ Βεβαιωθείτε ότι ο σταθμός και ο αισθητήρας απέχουν τουλάχιστον 2 μέτρα από οθόνες και τηλεοράσεις.</li> <li>✧ Αποφύγετε την τοποθέτηση συσκευών πάνω ή κοντά σε μεταλλικά πλαίσια παραθύρων.</li> <li>✧ Αποφύγετε τη χρήση σταθμών κοντά σε ηλεκτρονικές συσκευές όπως ηχεία που λειτουργούν στην ίδια συχνότητα (433 MHz).</li> <li>✧ Ελέγξτε προσεκτικά εάν ο σταθμός και ο εξωτερικός ασύρματος αισθητήρας είναι τοποθετημένοι στο ίδιο κανάλι.</li> <li>✧ Αφαιρέστε τις μπαταρίες, περιμένετε μια στιγμή και, στη συνέχεια, τοποθετήστε τις ξανά.</li> </ul>
Η θερμοκρασία που εμφανίζεται είναι λανθασμένη.	<ul style="list-style-type: none"> <li>✧ Αφαιρέστε τις μπαταρίες, περιμένετε μια στιγμή και, στη συνέχεια, τοποθετήστε τις ξανά.</li> <li>✧ Βεβαιωθείτε ότι ο σταθμός ή ο αισθητήρας δεν επηρεάζεται από πηγές θερμότητας, κλιματιστικά κ.λπ. Ή ο αισθητήρας βρίσκεται σε σημείο που εκτίθεται σε άμεσο ηλιακό φως.</li> </ul>

**Προδιαγραφές:**

Ένδειξη θερμοκρασίας εσωτερικού/εξωτερικού χώρου

Ένδειξη εσωτερικού/εξωτερικού χώρου

Ένδειξη τάσης θερμοκρασίας

Καταγραφή της μέγιστης/ελάχιστης θερμοκρασίας/υγρασίας κατά τη διάρκεια της ημέρας

Πρόγνωση καιρού για τις επόμενες 12-24 ώρες

Ρολόι (μορφή 12/24 ωρών) και ημερολόγιο

Εμφάνιση καθημερινών ημερών σε 7 γλώσσες (EN/GE/DA/SP/DU/IT/FR)

Συναγερμός με λειτουργία αδράνειας

Ασύρματος εξωτερικός αισθητήρας (περιλαμβάνεται 1 τεμ.)

Λειτουργία έως 3 εξωτερικών αισθητήρων

Οθόνη LCD με οπίσθιο φωτισμό

Μέγεθος οθόνης LCD: 61 x 93 mm

Πηγή τροφοδοσίας του μετεωρολογικού σταθμού: 2 x 1,5V μπαταρία (τύπου AAA,

συμπεριλαμβάνεται)

Ασύρματη πηγή ενέργειας αισθητήρα: 2 x 1,5V μπαταρία (τύπου AA, συμπεριλαμβάνεται)

Βραχίονας τοίχου/Βάση

IP54 (κατηγορία αντίστασης στο νερό για τον ασύρματο αισθητήρα)

Συχνότητα λειτουργίας ασύρματου αισθητήρα: 433,92 MHz

Κατανάλωση ενέργειας: 18 mW (μετεωρολογικός σταθμός), 24mW (ασύρματος αισθητήρας)

Διαστάσεις μετεωρολογικού σταθμού: 87 x 25 x 125 mm

Καθαρό βάρος του μετεωρολογικού σταθμού: 0,134 kg

Διαστάσεις αισθητήρα: 38 x 19 x 100 mm

Καθαρό βάρος αισθητήρα: 0,032 kg

### **Oluline informatsioon.**

- Teenindusjuhend ja ohutus käsitlev teave tuleb edaspidiseks kasutuseks säilitada.
- Ei tohi lasta tekkida olukorral, kui seadmele või selle sisemusse tilgub vesi.
- Samuti ei tohi seadet kasutada niisketes kohtades, nagu nt vannituba.
- Antud seadet ei tohi paigaldada järgnevasse kohtadesse:
- Mis on avatud päikesekiirguse vahetule toimele või radiaatorite lähedusse.
- Asetada muu, soojust eraldava, stereofoonilise varustuse peale.
- Blokeerides ventilatsiooni või tolmusesse kohta.
- Pidevale vibratsioonile allutatud kohtadesse.
- Kõrge niiskustasemega kohtadesse.
- Seadet ei tohi asetada küünalde või avatud tule lähedusse.
- Seadet võib kasutada ainult käesolevas juhendis kirjeldatud viisil.
- Enne toite esimest sisselülitamist tuleb veenduda, et toide oleks õigesti ühendatud.

Ohutuse seisukohalt ei tohi korpuseid lahti võtta ega üritada seadme sisemusse tungida. Seadet võivad parandada ainult teeninduse kvalifitseeritud töötajad.

Seadet ei tohi lahti keerata ega selle korpust avada, sest selles ei ole kasutaja poolt parandatavaid osi. Seadme hoolduse ja parandamisega tegelevad ainult teeninduse kvalifitseeritud töötajad.

### **OHUTUST KÄSITLEV OLULINE TEAVE**

1. Lugeda juhend läbi – enne seadme kasutamist alustamist tuleb kogu teenindusjuhend ja ohutus käsitlev teave läbi lugeda.
2. Säilitada juhend – kasutus- ja teenindusjuhend tuleb edaspidiseks kasutuseks säilitada.
3. Järgida hoiatusi – toimida kooskõlas kõikide seadmel paiknevate hoiatuste ja teenindusjuhendiga.
4. Järgida juhiseid – toimida kooskõlas teenindusjuhendi ja kasutajale mõeldud juhistega.
5. Paigaldus – paigaldada seade kooskõlas tootja juhistega.
6. Toiteallikad – seadme toiteks peab kasutama ainult toitekaabli märgistustel antud parameetritega allikaid. Juhul kui kasutaja ei ole kindel kodus oleva toite liigis, peab ta ühendust võtma seadme müüja või kohaliku elektrienergia tarnijaga.
7. Vesi ja niiskus – tulekahju või elektrilöögi ohu vähendamiseks ei tohi seadet vihma, vee ja niiskuse vahetule toimele, nagu nt saunas või vannitoas, allutada. Mitte kasutada käesolevat seadet vee, näiteks vanni, kraanikausi, köögivalamu või pesupali, läheduses, niiskes keldris või basseini juures (või sarnastes kohtades).
8. Esemed ja vedelikud seadmes – läbi seadme avade ei tohi sisse suruda mingeid esemeid, sest need võivad kokku puutuda ohtliku pinge punktidega, mis omakorda võib põhjustada tulekahju või elektrilöögi. Mitte mingil juhul ei tohi seadme pindadele mingeid vedelikke kallata. Seadmele ei tohi asetada vedelikke sisaldavaid esemeid.
9. Teenindus – keelatud on seadme ülevaatust omakäeliselt läbi viia. Avatud katted võivad põhjustada kokkupuudet ohtliku pingega ja osutada ohtlikuks. Seadme hoolduse ja parandamisega tegelevad ainult teeninduse kvalifitseeritud töötajad.
10. Varuosad – osade väljavahetamisel tuleb kontrollida kas teeninduse töötaja on kasutanud tootja poolt soovitatud varuosi või kas osad on originaalosaladega identsed. Väljavahetamine kinnitamata osade vastu ohustab tulekahju puhkemise, elektrilöögi ja muude turvariskidega.
11. Seadme keskkonna maksimaalne temperatuur võib olla kuni 35°C.
12. Elektrostaatilisi lahendusi puudutavad juhised – kui seadme töö on häiritud elektrostaatilistest lahendustest tuleb see välja lülitada ja seejärel uuesti sisse lülitada või teise kohta ümber tõsta.

### 13. Patareid

- Patareisid ei tohi allutada ülemäärase soojuse, nagu nt päikesekiired, tuli jms, toimele.
- Patareide utiliseerimisel tuleb pöörata tähelepanu keskkonnakaitse aspektidele.
- Patareide kasutamist puudutav hoiatus: patareidid ei tohi lasta kuluda kuni lekkimiseni, mis võib põhjustada kehavigastusi ja seadme kahjustusi:
  - Patareide sisestamisel pöörata tähelepanu nende polaarsusele (+ ja -).
  - Ei tohi kasutada samaaegselt erinevaid patareisid — vanu ja uusi, standardseid ja alkaalpatareisid, jne.
  - Kui seadet pikema aja jooksul ei kasutata, tuleb patareid välja võtta.

### HOIATUS

Seadet ei tohi kasutada piiratud füüsiliste, sensorsete ja psüühiliste võimetega või seadmega töötamise kogemusi või teadmisi mitte omavad inimesed (sealhulgas lapsed), kui nad ei viibi nende ohutuse eest vastutavate isikute järelevalve all või kui neid ei ole seadme ohutu kasutamise teemal instrueeritud. Kui seadet teenindavad lapsed, on nõutav täiskasvanute kohaolek; see võimaldab tagada seadme ohutu kasutuse.

- Keelatud on töötavat seadet järelvalveta jätta! Kui seadet isegi lühikesel ajajooksul ei kasutata, tuleb see välja lülitada.
- Enne seadme teenindamist taimeriga välise kella vahendusel ega eraldi asetseva kaugjuhtimisega süsteemi abil.
- Toitejuhtme kahjustuste korral ohtude vältimiseks peab väljavahetamist teostama tootja, autoriseeritud teeninduspunkt või muu, asjakohast kvalifikatsiooni omav isik.
- Enne seadme teenindamise juurde asumist tuleb veenduda, et selle pingel vastab kohalikus toitevõrgus pingele.
- Tulekahju või elektrilõõgi vältimiseks tuleb seadet kaitsta kuumade kohtade, vihma, niiskuse ja tolmu toime eest.
- Seadet ei tohi allutada tugevate magnetväljade toimele.
- Vahetult võimendile või vastuvõtjale seadet asetada ei tohi.
- Seadet ei tohi viia niiskesse kohta, sest niiskusel on elektrilistele allüksustele kahjulik mõju.
- Peale seadme külmast sooja või niiskesse kohta toomist võib mängija sees olevale läätteisele tekkida niiskuse kondensatsioon. Sellises olukorras seade korralikult tööle ei hakka. Niiskuse aurumise võimaldamiseks tuleb sisselülitatud seade jätta umbes tunniks ajaks seisma.
- Seadet ei tohi puhastada keemiliste lahustitega, sest need võivad kahjustada korpuse lakikihti. Seadet pühitakse puhta, kuiva või vähesel määral niisutatud lapiga.

### TÄHELEPANU



#### Deklaratsioon

Blaupunkt Competence Center 2N-Everpol Sp. z o.o. teavitab käesolevaga, et seade vastab direktiivi 2014/53 / EL nõuetele ja selle muudele asjakohastele sätetele. Täielik vastavusdeklaratsioon asub leheküljel [www.blaupunkt.com](http://www.blaupunkt.com) toote järjehoidjas.

Vastutav ettevõtte: 2N-Everpol Sp. Z O.O.

Puławska 403A, 02-801 Varssavi, Poola

Telefon: +48 22 688 08 00, e-mail: [info@everpol.pl](mailto:info@everpol.pl)



Toode on toodetud kõrgkvaliteetsetest taastootmisesse suunatavatest ja taaskasutatavatest materjalidest ning allüksustest.



Seadmel paiknev läbitõmmatud prügikorvi sümbol tähendab, et toode on hõlmatud Euroopa direktiivi 2012/19/EU sätetega. Tutvuda kohaliku süsteemi elektriliste ja elektrooniliste jäätmete käitlemist puudutavate nõuetega. Toimida koosõlas kehtivate eeskirjadega. Käesolevat toodet ei tohi ära visata koos tavaliste olmejäätmetega. Vana toote õige kõrvaldamine väldib potentsiaalseid looduskeskkonnale ja inimervisele kahju tekitavaid tagajärgi.



Seade on varustatud Euroopa direktiiviga 2006/66/EC hõlmatud patareidega. Patareide äraviskamine koos kodumajapidamisjäätmetega on keelatud. Tutvuda patareide eraldiasetsevalt kogumist käsitlevate kohalike eeskirjadega, sest õige utiliseerimine väldib potentsiaalseid looduskeskkonnale ja inimervisele kahju tekitavaid tagajärgi.

#### **Looduskeskkonna kaitset käsitlev teave**

Pakend sisaldab ainult vajalikke elemente. Tehtud on kõik endast olenev, et kolm koostismaterjali oleks hõlpsasti eraldatavad: papp (kast), polüstüreenvaht (seesmine kaitse) ja polüetüleen (kotid, kaitsepoogen). Toode on toodetud materjalidest, mida saab suunata taastootmisesse ja peale nende eriotstarbelise ettevõtte poolt demonteerimist, uuesti kasutada. Järgida pakendmaterjalide, patareide ja kasutatud seadmete utiliseerimist käsitlevaid kohalikke ettekirjutusi.

Materjalide salvestamiseks ja esitamiseks võib vaja minna nõusolekut. Tutvuge autoriõiguse ja esinejate/kunstnike õiguste seadusega.

#### **ERP2 (elektrienergiaga seotud seadmed) puudutav märkus**

Käeolev ökoprojektiga seade vastab vastab ökoprojektide nõudeid käsitleva KOMISJONI (EÜ) MÄÄRUSE nr 1275/2008 kontori- ja kodukasutuseks mõeldud seadmete väljalülitatuna ja ooterežiimis energiatarbimist puudutava direktiivi 2009/125/WE jõustava 2. etapi nõuetele.

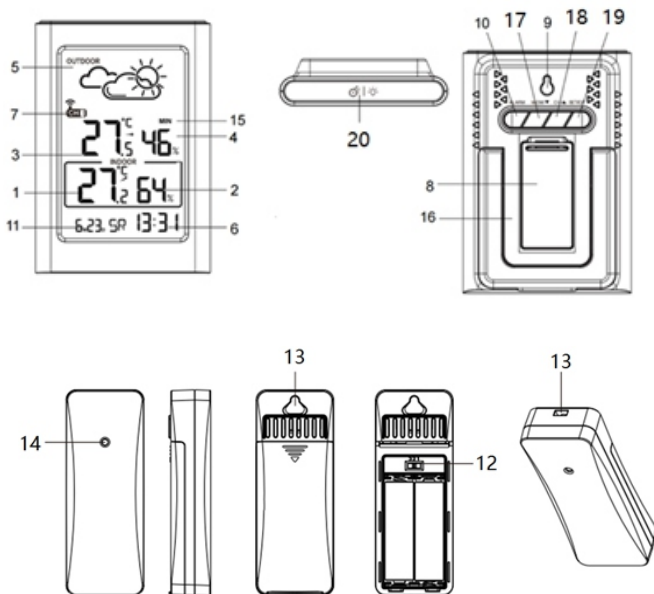


Täname teid meie ilmajaama ostmise eest. Sellel mudelil on järgmised omadused.

### Funktsioonid

- Ilmaprognoos: päikesepaisteline, osaliselt pilvine, pilves, vihm, lumi.
  - Sise / välistemperatuur.
  - Sise/ välisniiskus.
  - Sise- ja välistemperatuuri ning -niiskuse mõõtmistulemuste miinimum- ja maksimumväärtuste mälu.
  - 12/24-tunnine kellarežiim, kalender.
  - Alarm koos uinakufunktsiooniga
  - Toetab kuni 3 eri kanalitel töötavat välist andurit (kaasas ainult 1 andur)
- Enne seadme kasutamist lugege käesolev kasutusjuhend läbi ja tutvuge sellega hoolikalt. Palume säilitada juhend tulevikus kasutamiseks.

### Ekraan ja juhtelemendid




- |   |                            |
|---|----------------------------|
| 1. Sisetemperatuur / suundumus  | 2. Siseniiskus             |
| 3. Välistemperatuur / suundumus   | 4. Välisniiskus            |
| 5. Animeeritud ilmaprognoos   | 6. Kell                    |
| 7. Välisanduri kanali näit  | 8. Patareikambri kate      |
| 9. Paigaldusava riputamiseks  |                            |
| 10-17-18-19: Juhtnupud: alarm, mälu (MEM)/alla, kanal (CH)/ üles, seaded (SET), |                            |
| 11. Kalender  | 12. Anduri kanalite lüliti |
| 13. Paigaldusavad riputamiseks  | 14. Anduri kontroll-lamp   |
| 15. Temperatuuri ja õhuniiskuse minimaalsed ja maksimaalsed mõõtmisandmed       |                            |
| 16. Kokkupandav statiiv (laua peale paigutamiseks avatav)                       |                            |
| 20. Taustvalgustuse/uinaku nupp   |                            |

### Paigaldamine

Avage patareikambri kate. Sisestage 2 AAA-tüüpi patareid ilmajaama, seejärel sisestage 2 AA-tüüpi patareid välisandurisse, vastavalt kambris näidatud polaarsusele. (Patareid kaasas) Toote parima jõudluse saavutamiseks soovime kasutada kvaliteetseid leelispatareid. „Heavy Duty“ tüüpi patareide või akude kasutamine ei ole soovitatav. Kui patarei on tühi, lülitub ilmajaama ekraan välja. (Ligikaudne tööaeg uue patareiga: 6 kuud ilmajaamale, 12 kuud välisele juhtmevabale andurile. Esitatud tööajad on ainult arvestuslikud ja sõltuvad mitmetest teguritest, näiteks kasutatud patareide tüübist, tootjast, töötingimustest jne.)

### Välise juhtmevaba anduri signaali vastuvõtmine

Pärast toite õigesti ühendamist, tuvastab ilmajaam ning võtab väliselt juhtmevabalt andurilt automaatselt vastu välistemperatuuri ja õhuniiskuse signaalid. Signaalide otsimine võtab maksimaalselt kolm minutit. Juhtmevaba sümbol (läheduses olev kanal ekraanil)  vilgub otsingu ajal ekraanil ja stabiliseerub pärast signaali edukat vastuvõtmist. Kui jaam väliselt andurilt signaali ei saa, kaob signaali vastuvõtu näit 3 minuti pärast ja ekraanil kuvatakse välise temperatuuri ja niiskuse andmete asemel järgmine sümbol: „-“. Välise anduri signaali otsingu taaskäivitamiseks vajutage ja hoidke nuppu „üles“ 3 sekundit all.

### Seadme paigutus ja muud tähelepanekud:

1. Ilmajaam võib töötada kuni kolme välise juhtmevaba anduriga. Anduri soovitud kanali seadistamiseks avage patarei kate ja seadke kanalite lüliti sobivasse asendisse ( valida on 3 kanalit). Kui välisanduri lüliti on seadistatud kanalile number 1, valige ka ilmajaamas kanal number 1 - selleks vajutage kanali 1 valimiseks kanali nuppu (CH)/ üles. Sama meetodit kasutades saate paarida veel kaks valikulist andurit, kasutades nende ühendamiseks kanaleid 2 ja 3. Kaasas on ainult 1 välisandur.
2. Palun hoidke ja kasutage ilmajaama ning välist andurit häireallikatest, näiteks arvutimonitoridest või teleritest, 1,5~2 meetri kaugusel. Ilmajaam tuleks ka metallraamidega akendest eemale paigutada.
3. Ärge kasutage teisi samal signaalisagedusel (433,92 MHz) töötavaid elektroonilisi tooteid, näiteks kõrvklappe või kõlareid, kuna need võivad häireid põhjustada. Pidage meeles, et kui teie naabrid kasutavad samal signaalisagedusel (433,92 MHz) töötavaid elektroonilisi seadmeid, võivad ka need korralikku töötamist häirida.
4. Sisetemperatuuri täpse mõõtmise tagamiseks asetage ilmajaam mustuse- ja tolmuvabasse kuiva kohta. Valige asukoht otsesest päikesevalgusest ja muudest soojusallikatest ning samuti ventilatsioonivadest eemal.
5. Juhtmevaba anduri võib paigaldada välja. Võimalikult parema mõõtmistäpsuse saavutamiseks paigutage andur vertikaalselt, vähemalt 1,5 ~ 2 meetri kõrgusele maapinnast, vihma eest kaitstud ja hea õhuringlusega kohta. Ärge jätke andurit pikema aja jooksul otsese päikesevalguse toimealasse.

6. Juhtmevaba anduri maksimaalne töökaugus ilma jaamast on ilma nende vaheliste takistusteta 80 meetrit.
7. Juhtmevaba anduri signaal saadetakse jaama igakordselt 114 sekundi (kanal 1), 134 sekundi (kanal 2) ja 158 sekundi (kanal 3) järel.

### Kalendri/keele/kella seaded

Vajutage ja hoidke seadistusnuppu (SET) 3 sekundit all, kuni ekraanil vilkuva sümboli ON või OFF ilmumise hetkeni, vajutage seejärel nuppude heli sisse või välja lülitamiseks nuppu üles või alla, vajutage valiku kinnitamiseks ja aasta seadistamisele liikumiseks seadistusnuppu (SET). Korra neid samu toiminguid samas järjekorras järgmiste parameetrite seadistamiseks: kalendri formaat/kuu/kuupäev/nädalapäev/keel – saadaolevad keeled: GE (saksa), EN (inglise), FR (prantsuse), IT (itaalia), SP (hispaania), DU (hollandi), DA (taani) /kellaaja/tunni/minuti formaat. (Reguleerimise kiirendamiseks vajutage ja hoidke all nuppu üles või alla; toimub jooksvate seadete automaatne salvestamine ja nendest väljumine, kui 20 sekundi jooksul ei vajutata ühtegi nuppu)

### Alarm ja uinak:

Alarmi seadistusrežiimi aktiveerimiseks vajutage ja hoidke all nuppu ALARM, alarmi kellaaja seadistamiseks vajutage nuppu üles või alla, valiku kinnitamiseks vajutage nuppu ALARM ja minge üle minutite seadistamisele, mis toimub samamoodi kui tundide seadistamine. Nupu ALARM lühiajaline vajutamine võib alarmi seadistamise lõpetada, nupu ALARM uuesti vajutamisega saab alarmi sisse/välja lülitada (Õigesti aktiveeritud alarmist teavitab kellakujuline ikoon, mis kuvatakse ekraanil tunni- ja minutinäidu vahel). Kella aja kuvamisele naasmiseks vajutage ülemist nuppu taustvalgustus/uinak.

Kui alarm määratud ajal heliseb, vajutage alarmi heli vaigistamiseks mis tahes nuppu (välja arvatud nupp taustvalgustus/uinak) ja alarm lülitub järgmisel päeval samal ajal uuesti sisse. Alarmi uuesti 5 minuti pärast käivitamiseks vajutage alarmi kestmise ajal uinaku funktsiooni aktiveerimiseks lühidalt taustvalgustuse/uinaku nuppu. Uinak võib korduda iga 5 minuti järel. Uinaku tühistamiseks vajutage mis tahes muud nuppu (välja arvatud taustvalgustuse/uinaku nupp).

Alarmiheli kestab 2 minutit, kui seda eelnevalt ei vaigistata.

### Temperatuur ja niiskus

1. Sisetemperatuuri mõõtmisvahemik:  $-10 \sim +50^{\circ}\text{C}$  /  $14 \sim 122^{\circ}\text{F}$ .

2. Välistemperatuuri mõõtmisvahemik:  $-30 \sim +60^{\circ}\text{C}$  /  $-22 \sim 140^{\circ}\text{F}$ .

Tähelepanu: L.L.L  $^{\circ}\text{C}$  või H.H.H  $^{\circ}\text{C}$  ilmub ekraanile, kui mõõdetud temperatuuri väärtus jääb eespool nimetatud vahemikust välja

3. Sise- ja välisniiskuse mõõtmise vahemik: 1%-99%

Tähelepanu: LL% või HH% ilmub ekraanile, kui mõõdetud niiskuse väärtus jääb ülaltoodud vahemikust välja

4. Temperatuuri mõõtmise täpsus:  $\pm 1,0^{\circ}\text{C}$  vahemikus  $0^{\circ}\text{C}$  kuni  $+50^{\circ}\text{C}$  /  $32^{\circ}\text{F} \sim 104^{\circ}\text{F}$ .  
 $\pm 1,5^{\circ}\text{C}$  väljaspool eespool nimetatud vahemikku.

5. Niiskuse mõõtmise täpsus:  $\pm 5\%$  (vahemikus 40-70%),  $\pm 8\%$  väljaspool seda vahemikku

6. Maksimaalsete ja minimaalsete mõõtmisväärtuste kontrollimiseks vajutage mälu nuppu (MEM), nende andmete andmed käsitsi kustutamiseks vajutage ja hoidke all mälu nuppu (MEM). (Tähelepanu: Maksimaalsed ja minimaalsed mõõtmisväärtused kustutatakse automaatselt iga päev kell 00:00).

7. Vajutage temperatuurühikute muutmiseks nuppu seaded (SET):  $^{\circ}\text{C}$ -st (Celsiuse kraadid)  $^{\circ}\text{F}$ -le (Fahrenheiti kraadid).

### Temperatuuri suundumus

Temperatuuri andmete juures olev nool teavitab temperatuuri suundumusest. Selle suund muutub sõltuvalt sellest, kas temperatuuri viimane näit on eelmistest näitudest kõrgem või madalam.

Ülespoole suunatud nool=temperatuur on viimase tunni jooksul tõusnud 1 °C võrra.

Nool on suunatud otse = temperatuur on viimase tunni jooksul muutunud vähem kui 1 °C võrra.

Allapoole suunatud nool=temperatuur on viimase tunni jooksul langenud 1 °C võrra.

### Animeeritud ilmaprognoos

Ilmaprognoos põhineb välisandurilt kogutud tunnipõhistel temperatuuri ja niiskuse andmetel.

Jaam prognoosib järgmise 12 tunni ilmastikutingimusi 70-75% täpsusega. Ilmaprognoosi ikooniks on vaikumisi seatud „osaliselt pilvine“, välisandurilt saadud temperatuuri ja niiskuse andmetele tuginedes kalibreerib ilmajaam automaatselt ilmaprognoosi esimese 1-2 nädala jooksul.

Juhtmevaba andur tuleb temperatuuri ja niiskuse täpsete andmete saamiseks välja paigutada, sest vastasel juhul mõjutab see ilmaprognoosi täpsust.

Ilmaprognoos ilmub ühes järgmistest kombinatsioonidest:



PÄIKESEPAISTELINE

OSALISELT PILVES

PILVES

VIHM

LUMI

Tuleb meeles pidada, et seade prognoosib ilma piiratud parameetrite alusel ja võib täiustatud algoritmide alusel arvatavatest ametlikest ilmaprognoosidest erineda.

### Külmumispunkti näit

Kui välistemperatuur langeb alla 3°C/34°F, ilmub ekraanile sümbol



ja jaam annab hoiatussignaali.

**Probleemide lahendamine**

Ekraanil puudub teave	<ul style="list-style-type: none"> <li>✧ Kontrollige, kas patareid on seadmesse õigesti paigaldatud.</li> </ul>
Väliselt andurilt temperatuuri/niiskust ei kuvata.	<ul style="list-style-type: none"> <li>✧ Kontrollige, et jaama ja anduri vaheline kaugus ei ületaks 30 m (soovitav)</li> <li>✧ Veenduge, et jaam ja andur oleksid monitoridest ning teleritest vähemalt 2 m kaugusel.</li> <li>✧ Vältige seadmete paigutamist metallist aknaraamidele või nende lähedusse.</li> <li>✧ Vältige jaama kasutamist samal sagedusel (433 MHz) töötavate elektroonikaseadmete, näiteks kolarite läheduses.</li> <li>✧ Palun kontrollige hoolikalt, et jaam ja väline juhtmevaba andur oleks seatud samale kanalile.</li> <li>✧ Eemaldage patareid, oodake hetk ja sisestage need uuesti.</li> </ul>
Kuvatav temperatuur on vale.	<ul style="list-style-type: none"> <li>✧ Eemaldage patareid, oodake hetk ja sisestage need uuesti.</li> <li>✧ Veenduge, et jaama või andurit ei mõjutaks soojusallikad, konditsioneerid jne. Või andur asub kohas, mis on avatud otsese päikesevalguse toimele.</li> </ul>

**Spetsifikatsioon:**

Sise/välis temperatuuri kuvamine

Sise/välisniiskuse kuvamine

Temperatuuri suundumuse kuvamine

Päeva jooksul Max/Min temperatuuri/niiskuse salvestamine

Ilmaprognoos järgmiseks 12-24 tunniks

Kell (12/24-tunnine formaat) ja kalender

Nädalapäevade kuvamine 7-s keeles (EN/GE/DA/SP/DU/IT/FR)

Alarm koos uinakufunktsiooniga

Juhtmevaba välisandur (1 tk kaasas)

Toetab kuni 3 välist andurit

Taustvalgustusega LCD-ekraan

LCD-ekraani mõõtmed: 61 x 93 mm

Ilmajaama toiteallikas: 2 x 1,5 V patarei (suurus AAA, kaasas)

Juhtmevaba anduri toiteallikas: 2 x 1,5 V patarei (suurus AA, kaasas)

Seinakinnitus/Statiiv

IP54 (juhtmevaba anduri veekindluse klass)

Juhtmevaba anduri töösagedus: 433,92 MHz

Võimsustarbimine: 18 mW (ilmajaam), 24 mW (juhtmevaba andur)

Ilmajaama mõõtmed: 87 x 25 x 125 mm

Ilmajaama netokaal: 0,134 kg

Anduri mõõtmed: 38 x 19 x 100 mm

Anduri netokaal: 0,032 kg

### Svarbi informacija

- Privaloma išsaugoti šias naudojimo instrukcijas ir saugos informaciją būsimam naudojimui.
- Neleiskite skysčiams lašėti ar išsilieti ant įrenginio.
- Draudžiama taip pat naudoti jį drėgnose vietose, pvz. vonios kambaryje.
- Draudžiama įrengti šį įrenginį tokiose vietose:
- Vietos neapsaugotos nuo tiesioginių saulės spindulių ar šalia radiatorių.
- Dėti jį ant viršaus kitos stereofoninės įrangos, kuri išleidžia šilumą.
- Blokuojant ventiliaciją arba dulkelioje vietoje.
- Vietose, kuriose vyksta nuolatinė vibracija.
- Vietose, kur yra didelė drėgmė.
- Draudžiama dėti įrenginį arti žvakių ar atviros liepsnos.
- Įrenginys gali būti naudojamas tik šiame vadove aprašytu būdu.
- Prieš įjungdami maitinimą pirmą kartą, įsitikinkite, kad srovės adapteris yra tinkamai prijungtas.

Dėl saugumo priežasčių, draudžiamas gaubtų išmontavimas bei įrenginio vidaus atskleidimas. Įrenginio remontas turėtų būti aptarnaujamas kvalifikuoto techninio personalo. Draudžiama ardyti įrenginį bei atidarinti jo korpusą, nes jo viduje nėra jokių dalių, kurias galėtų naudotojas pataisyti. Techninė priežiūra ir remontas aptarnaujami tik kvalifikuoto techninio personalo.

### SAUGOS INSTRUKCIJOS

1. Perskaitykite instrukcijas – prieš naudodami įrenginį perskaitykite visą naudojimo instrukciją ir saugos informaciją.
2. Išsaugokite instrukcijas – privaloma išsaugoti naudojimo ir valdymo instrukcijas būsimam naudojimui.
3. Laikykitės įspėjimų – privaloma laikytis visų prietaiso įspėjimų pateiktų ant įrenginio ir vadovautis naudojimo instrukcijomis.
4. Laikykitės instrukcijų – privaloma vadovautis naudojimo instrukcijomis bei nurodymais vartotojui.
5. Diegimas – nustatykite įrenginį pagal gamintojo instrukcijas.
6. Maitinimo šaltiniai – įrenginys turi būti maitinamas tik iš šaltinių, kurių parametrai nurodyti maitinimo laido žymenyse. Jei vartotojas nėra tikras, kokios energijos tipą turi namuose, turėtų susisiekti su savo įrenginio platintoju arba vietiniu elektros energijos tiekėju.
7. Vanduo ir drėgmė – norėdami sumažinti gaisro ar elektros smūgio pavojų, saugokite įrenginį nuo tiesioginio lietaus, vandens ir drėgmės poveikio, tokio kaip pvz. saunoje ar vonioje. Nenaudokite šio įrenginio šalia vandens, pavyzdžiui, prie vonios, kriauklės, virtuvės ar kubelio, šlapiame rūsyje arba prie baseino (ar panašiose vietose).
8. Objektai ir skysčiai įrenginyje – draudžiama kišti bet kokius daiktus per įrenginio angas, nes jie gali liestis su pavojingos įtampos taškais ir komponentais, dėl ko gali kilti gaisras arba įvykti elektros smūgis. Griežtai draudžiama išpilti bet kokius skysčius ant įrenginio paviršiaus. Draudžiama dėti ant įrenginio viršaus objektus, kuriuose yra skysčių.
9. Techninis aptarnavimas – draudžiama savarankiškai bandyti asmeniškai naršyti įrenginį. Dangčio atidarymas gali sukelti kontaktą su pavojinga įtampa ir sukelti vartotojui kitus pavojus. Techninė priežiūra ir remontas aptarnaujami tik kvalifikuoto techninio personalo.
10. atsarginės dalys – keičiant dalis, įsitikinkite, kad techninės priežiūros darbuotojas panaudojo gamintojo rekomenduotas atsargines dalis arba kad dalys yra identiškos originalioms dalims. Nepatvirtintų dalių panaudojimas sukelia gaisro, elektros smūgio pavojų ar kitus pavojus.
11. Didžiausia įrenginio aplinkos temperatūra tai 35°C.
12. Patarimai dėl elektrostatinių iškrovų – jei prietaiso veiksmingumas yra veikiamas elektrostatinių iškrovimų, išjunkite jį ir vėl įjunkite arba perkelkite įrenginį į kitą vietą.

### 13. Baterija

a. Baterijos negali būti veikiamos per didelės temperatūros, pavyzdžiui, saulės spindulių, ugnies ir tt.

b. Išmesdami baterijas, atkreipkite dėmesį į aplinkosaugos aspektus.

c. Įspėjimas dėl baterijų naudojimo: norėdami išvengti baterijų nutekėjimo, dėl kurio galite sužaloti savo kūną ar sugadinti įrenginį:

- Įdėdami bateriją atkreipkite dėmesį į jos poliarizaciją (+ ir -).
- Nenaudokite skirtingų baterijų tuo pačiu laiku - senų ir naujų, standartinių ir šarminių baterijų ir kt.
- Ilgesnį laiką nesinaudojant įrenginiu, išimkite iš jo baterijas.

### ĮSPĖJIMAS

Įrenginiu neturėtų naudotis asmenys (įskaitant vaikus), turintys mažesnes fizines, juslines ar psichines galimybes, ir asmenys, neturintys pakankamai žinių ir patirties, jei jie nėra prižiūrimi asmenų atsakingų už jų saugą, ir nebuvo jiems nurodyta, kaip saugiai naudoti įrenginį. Suaugusių asmenų buvimas reikalingas, jei vaikai naudoja prietaisą; tai užtikrins saugų įrenginio naudojimą.

1. Niekada nepalikite veikiančio įrenginio be priežiūros. Išjunkite prietaisą, kai jis nenaudojamas, net trumpą laiką.
2. Prietaiso negalima valdyti per išorinį laikrodį su sinchronizavimo grandinėmis arba per atskirą nuotolinio valdymo sistemą.
3. Norėdami išvengti pavojaus maitinimo laidu sužalojimo atveju, jį pakeisti turėtų gamintojas, įgaliotas aptarnavimo centras ar kitas kvalifikuotas asmuo.
4. Prieš pradėdami įrenginio naudojimą patikrinkite, ar jo įtampa atitinka vietos maitinimo įtampą.
5. Norėdami išvengti gaisro ar elektros smūgio, apsaugokite prietaisą nuo karštų vietų, lietaus, drėgmės ir dulkių poveikio.
6. Saugokite įrenginį nuo stipraus magnetinio lauko.
7. Draudžiama statyti įrenginį tiesiai ant stiprintuvo ar AV imtuvo.
8. Draudžiama statyti įrenginį drėgnoje vietoje, nes drėgmė neigiamai veikia elektrinius komponentus.
9. Kai įrenginys atnešamas iš šaltos į šiltą vietą arba į drėgną vietą, ant objektyvo, esančio grotuvo viduje, gali įvykti drėgmės kondensacija. Tokiu atveju įrenginys dirbs netinkamai. Palikite įrenginį maždaug vienai valandai, kad drėgmė išgaruotų.
10. Draudžiama valyti įrenginį cheminiais tirpikliais, nes jie gali pažeisti dengiamąjį laką. Prietaisą valykite švairiu, sausu arba šiek tiek drėgnu skudurėliu.

### DĖMESIO



#### Deklaracija

Šiuo Blaupunkt Competence Center 2N-Everpol Sp. z o.o. deklaruojama, kad šis įrenginys atitinka Direktyvos 2014/53 / ES reikalavimus ir kitas atitinkamas nuostatas. Visą atitiktą deklaraciją galite rasti interneto svetainėje [www.blaupunkt.com](http://www.blaupunkt.com) gaminio skyriuje.

Atsakingas subjektas 2N-Everpol Sp. Z o.o.

Puławska 403A, 02-801 Warszawa, Polska

Telefonas: +48 22 688 08 00, e. paštas: [info@everpol.pl](mailto:info@everpol.pl)



Produktas pagamintas iš aukštos kokybės medžiagų ir komponentų, kuriuos galima perdirbti ir pakartotinai naudoti.



Jei ant jūsų įrenginio randasi išbrauktas šiukšliadėžės žymeklis, tai reiškia, kad gaminį reglamentuoja Europos direktyvos 2012/19/EU nuostatos. Privaloma susipažinti su vietos elektros ir elektroninių atliekų surinkimo sistemos reikalavimais. Privaloma laikytis vietinių taisyklių. Draudžiama išmesti šį įrenginį kartu su įprastomis buitinėmis atliekomis. Tinkamas senojo produkto pašalinimas užtikrins galimų neigiamų pasekmių aplinkai ir žmonių sveikatai prevenciją.



Šiame įrenginyje yra baterijos, kurioms taikoma Europos direktyva 2006/66/EC. Baterijas draudžiama išmesti kartu su buitinėmis atliekomis. Privaloma susipažinti su vietos atskirų medžiagų rinkimo reglamentus, nes dėl teisingo šalinimo bus išvengta galimų neigiamų pasekmių aplinkai ir žmonių sveikatai.

### **Informacija apie aplinkos apsaugą**

Pakuotėje yra tik būtini elementai. Buvo imtasi visų pastangų, kad būtų galima lengvai atskirti tris pakuotės sudedamąsias dalis: kartoną (dėžė), polistirolu putplastį (apsauginė dangą) ir polietileną (krepseliai, apsauginis lakštas). Prietaisas pagamintas iš medžiagų, kurios gali būti perdirbamos ir pakartotinai panaudotos, kai jas išmontuoja specializuota įmonė. Privaloma laikytis vietinių pakavimo medžiagų, sunaudotų baterijų ir nereikalingų įrenginių šalinimo taisyklių.

Medžiagų įrašymui ir atkūrimui gali reikėti sutikimo. Žr. autorių teisių ir atlikėjų/artistų teisių įstatymą.

### **Pastaba apie ERP2 (su energija susijusią įrangą)**

Šis ekologinio projektavimo įrenginys atitinka Komisijos reglamento (EB) Nr. 1275/2008, kuriuo įgyvendinama Direktyva 2009/125/EB dėl nenaudojamų ir budėjimo režimo elektroninių prietaisų energijos vartojimo biure ir buities reikmėms, 2 etapui.

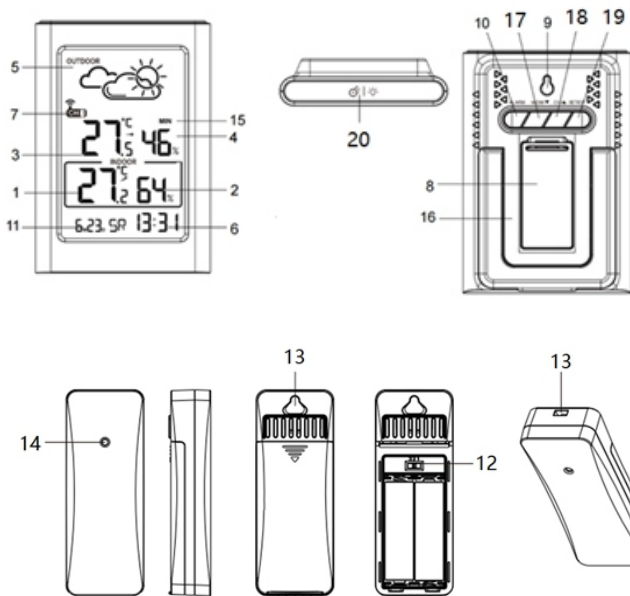


Dėkojame, kad įsigijote mūsų meteorologinę stotelę. Šis modelis turi šias funkcijas.

### Funkcijos

- Orų prognozė: saulėta, dalinis debesuotumas, debesuotumas, lietus, sniegas.
  - Vidaus/lauko temperatūra.
  - Vidaus/lauko drėgnumas.
  - Vidaus ir lauko temperatūros ir drėgmės matavimų minimalių ir maksimalių verčių atmintis.
  - 12/24 valandų laikrodžio režimas, kalendorius.
  - Žadintuvas su snaudimo funkcija
  - Palaiko iki 3 išorinių jutiklių, veikiančių skirtingais kanalais (tik 1 jutiklis komplektacijoje)
- Prašome atidžiai susipažinti su šia instrukcija ir ją perskaityti prieš pradėdami naudoti prietaisą. Išsaugokite instrukciją, kad galėtumėte peržiūrėti ateityje.

### Vaizduoklis ir valdymo elementai




- |  |                                 |
|--|---------------------------------|
| 1. Vidaus temperatūra / tendencija   | 2. Vidaus drėgnumas             |
| 3. Išorės temperatūra / tendencija   | 4. Lauko drėgnumas              |
| 5. Animacinė orų prognozė  | 6. Laikrodis                    |
| 7. Išorinio jutiklio kanalo rodiklis   | 8. Baterijos skyriaus dangtis   |
| 9. Montavimo anga pakabinimui  |                                 |
| 10-17-18-19: Reguliavimo mygtukai: žadintuvas, atmintis (MEM) / žemyn , kanalas (CH) / aukštyn , nustatymai (SET), | 11. Kalendorius                 |
| 12. Jutiklio kanalo jungiklis  | 13. Montavimo angos pakabinimui |
| 14. Jutiklio indikatorius  |                                 |
| 15. Mažiausių ir didžiausių temperatūros ir drėgmės matavimo verčių duomenys                                       |                                 |
| 16. Sulankstoma atrama (atlenkiama, kad būtų galima padėti ant stalo)  |                                 |
| 20. Apšvietimo/snaudimo mygtukas   |                                 |

## Instaliacija

Atidarykite baterijų skyriaus dangtį įdėkite dvi AAA baterijas į meteorologinę stotelę, tada įdėkite dvi 2 AA baterijas į išorinį jutiklį pagal kameroje parodytą poliškumą. (Baterijos komplektacijoje)

Kad produktas veiktų geriausiai, rekomenduojame naudoti aukštos kokybės šarmines baterijas. Nerekomenduojama naudoti „heavy duty“ tipo baterijų arba akumuliatorių. Meteorologinės stotelės vaizduoklis išsijungs išsikrovus baterijai. (Apytikslis darbo su nauja baterija laikas: 6 mėnesiai meteorologinei stotelei, 12 mėnesių išoriniam belaidžiam jutikliui. Nurodytas darbo laikas yra tik apytikris ir priklauso nuo daugelio veiksnių, pvz., naudojamų baterijų tipo, gamintojo, veikimo sąlygų ir t. t.)

## Signalo priėmimas iš išorinio belaidžio jutiklio

Tinkamai įdiegus baterijas, meteorologinė stotelė automatiškai aptinka ir priima signalą iš lauko temperatūros ir drėgmės matavimo išorinio belaidžio jutiklio. Signalo paieška užtruks ne ilgiau kaip 3 minutes. Bevielis simbolis (artimas kanalas rodomas ekrane)  aiškos metu rodomas ekrane ir stabilizuojasi, kai signalas priimamas sėkmingai. Jei stotis negauna signalo iš išorinio jutiklio, signalo priėmimo indikatorius dings po 3 minučių ir vaizduoklyje vietoj temperatūros ir išorinės drėgmės duomenų bus rodomas šis simbolis: „-“. Norėdami vėl įjungti signalo paiešką iš išorinio jutiklio, paspauskite ir palaikykite 3 sekundes mygtuką „aukštyn“.

Prietaiso padėtis ir kitos pastabos:

1. Meteorologinėje stotelėje galima naudoti iki trijų išorinių belaidžių jutiklių. Norėdami nustatyti norimą jutiklio kanalą, atidarykite baterijos dangtelį ir nustatykite kanalo jungiklį į tinkamą padėtį (galima pasirinkti iš 3 kanalų). Nustatę išorinio jutiklio jungiklį 1 kanalo numerį, meteorologinėje stotelėje taip pat pasirinkite kanalą numeris 1 – norėdami tai padaryti, paspauskite mygtuką kanalas (CH) / aukštyn , kad pasirinktumėte 1 kanalą. Tuo pačiu būdu galite susieti du papildomus papildomus jutiklius, naudodami 2 ir 3 kanalus. Komplektacijoje yra tik 1 išorinis jutiklis.
2. Padėkite ir naudokite meteorologinę stotelę ir išorinį jutiklį 1,5-2 metrų atstumu nuo trukdžių šaltinių, pvz., kompiuterio monitorių ar televizorių. Meteorologinę stotelę taip pat reikėtų statyti atokiau nuo langų su metaliniais rėmais.
3. Nenaudokite kitų elektroninių gaminių, pvz., ausinių ar garsiakalbių, veikiančių tuo pačiu signalo dažniu (433,92 MHz), nes jie gali sukelti trikdžių. Atkreipkite dėmesį, kad jei jūs kaimynai naudoja elektroninius prietaisus, veikiančius tuo pačiu signalo dažniu (433,92 MHz), jie taip pat gali trukdyti tinkamą veikimą.
4. Norėdami užtikrinti tikslių patalpos temperatūros matavimą, meteorologinę stotelę pastatykite sausoje vietoje, kurioje nebūtų purvo ir dulkių. Pasirinkite vietą toliau nuo tiesioginių saulės spindulių ir kitų šilumos šaltinių, taip pat toliau nuo ventilacijos angų.

5. Belaidį jutiklį galima įrengti lauke. Kad matavimas būtų kuo tikslesnis, pastatykite jutiklį vertikaliajoje padėtyje, bent 1,5 ~ 2 metrų atstumu nuo žemės, nuo lietaus apsaugotoje ir gerą oro cirkuliaciją turinčioje vietoje. Saugokite jutiklį nuo ilgo tiesioginių saulės spindulių veikimo.
6. Maksimalus belaidžio jutiklio darbinis atstumas yra 80 metrų nuo meteorologinės stotelės bei tarpinių kliūčių.
7. Signalas iš belaidžio jutiklio siunčiamas į stotį kas 114 sekundžių (1 kanalas), 134 sekundes (2 kanalas), 158 sekundes (3 kanalas).

### **Kalendoriaus/kalbos/laikrodžio nustatymai**

Paspauskite ir palaikykite nuspaudę nustatymo mygtuką 3 sekundes, kol vaizduoklyje pasirodys mirksintis ON arba OFF simbolis, paspauskite aukštyn arba žemyn mygtuką, kad įjungtumėte arba išjungtumėte mygtukų garsą, paspauskite nustatymo mygtuką (SET), kad patvirtintumėte pasirinkimą ir pereitumėte prie metų nustatymo. Pakartokite šiuos veiksmus ta pačia tvarka, kad nustatytumėte kitus parametrus, tokius kaip: kalendoriaus formatus/mėnuo/data/savaitės diena/kalba – galimos kalbos: GE (vokiečių k.), EN (anglų k.), FR (prancūzų k.), IT (italų k.), SP (ispanų k.), DU (olandų k.), DA (danų k.) /valandos/valandos/minutės formatus. (Paspauskite ir laikykite mygtuką aukštyn arba žemyn, kad pagreitintumėte reguliavimą; automatiškai įrašys ir išjungs esamus nustatymus, jei per 20 sekundžių nebus paspaustas joks mygtukas)

### **Žadintuvus ir snaudimas**

Paspauskite ir palaikykite ŽADINTUVO mygtuką, kad įjungtumėte žadintuvo nustatymo režimą, paspauskite aukštyn arba žemyn mygtuką, kad nustatytumėte žadintuvo laiką, paspauskite ŽADINTUVO mygtuką, kad patvirtintumėte pasirinkimą ir įveskite žadintuvo minutes nustatymą, kuris atliekamas taip pat, kaip ir valandų nustatymas. Trumpai paspaudus ŽADINTUVO mygtuką galima baigti žadintuvo nustatymą, dar kartą paspaudus ŽADINTUVO mygtuką, žadintuvus įjungiamas/išjungiamas (varpelio piktograma, vaizduoklyje rodoma tarp valandų ir minučių, informuoja apie tinkamai suaktyvintą žadintuvą). Paspauskite viršutinį foninio apšvietimo/snaudimo mygtuką, kad grįžtumėte į laikrodžio rodomo vaizduoklį. Kai žadintuvus suskamba nustatytu laiku, paspauskite bet kurį mygtuką (išskyrus foninio apšvietimo /snaudimo mygtuką), kad atšauktumėte žadintuvo garsą, ir žadintuvus vėl skambės tuo pačiu metu kitą dieną. Kai suveikia žadintuvus, trumpai paspauskite šviesos /snaudimo mygtuką, kad suaktyvintumėte snaudimo funkciją, kuri vėl suaktyvins žadintuvą po 5 minučių. Snaudimą galima kartoti kas 5 minutes. Norėdami atšaukti snaudimą, paspauskite bet kurį kitą mygtuką (išskyrus foninio apšvietimo/snaudimo mygtuką). Žadintuvo garsas tęsis 2 minutes, jei jis nebus atšauktas anksčiau.

### **Temperatūra ir drėgnumas**

1. Vidaus temperatūros matavimo diapazonas: -10 ~ +50 °C / 14 ~ 122 °F.
  2. Lauko temperatūros matavimo diapazonas: -30 ~ +60 °C / -22 ~ 140 °F.
- Dėmesio: LL.L °C arba HH.H °C vaizduoklyje rodoma, kai išmatuota temperatūros vertė nepatenka į pirmiau nurodytą diapazoną
3. Vidaus ir lauko drėgmės matavimo diapazonas: 1 % - 99 %
  - Dėmesio: LL% arba HH% vaizduoklyje rodoma, kai išmatuota drėgmės vertė nepatenka į pirmiau nurodytą diapazoną
  4. Temperatūros matavimo tikslumas: ±1,0°C intervale nuo 0 °C iki +50°C / 32°F ~ 104°F.. ±1,5°C už pirmiau nurodyto diapazono ribų.
  5. Drėgnumo matavimo tikslumas: ±5% (diapazonas nuo 40 iki 70%), ±8% už diapazono ribų
  6. Paspauskite atminties (MEM) mygtuką, kad patikrintumėte didžiausias ir mažiausias matavimo vertes, paspauskite ir palaikykite atminties (MEM) mygtuką, kad ištrintumėte šiuos duomenis rankiniu būdu. (Dėmesio: Didžiausia ir mažiausia matavimo vertės bus automatiškai

panaikintos kiekvieną dieną 00:00 val.).

7. Paspauskite mygtuką nustatymai (SET), kad pakeistumėte temperatūros vienetą: iš °C (Celsijaus laipsniai) iš °C (Farenheito laipsniai).

### Temperatūros tendencija

Šalia temperatūros duomenų esanti rodyklė rodo temperatūros tendenciją. Jos kryptis kinta priklausomai nuo to, ar paskutinis temperatūros rodmuo yra didesnis, ar mažesnis už ankstesnius rodmenis.

Rodyklė į viršų = temperatūra padidėjo 1 °C per paskutinę valandą.

Rodyklė nukreipta tiesiai = temperatūra pasikeitė mažiau nei 1 °C per paskutinę valandą.

Rodyklė į apačią = temperatūra sumažėjo 1 °C per paskutinę valandą.

### Animacinė orų prognozė

Orų prognozė pagrįsta surinktais valandiniais temperatūros ir drėgmės duomenimis iš išorinio jutiklio. Stotelė prognozuoja oro sąlygas ateinančioms 12 valandų 70 - 75 % tikslumu. Numatytoji orų prognozės piktograma nustatyta kaip „dalinis debesuotumas“, orų prognozė bus automatiškai meteorologinė stotelės kalibruojama per pirmąsias 1 - 2 darbo savaites, remiantis remiantis išorinio jutiklio temperatūros ir drėgmės duomenimis.

Belaidis jutiklis turi būti įrengtas lauke, kad būtų gauti tikslūs temperatūros ir drėgmės duomenys, kitaip nukentės orų prognozės tikslumas.

Orų prognozė bus rodoma vienu iš šių derinių:



SAULĖTA



DALINIS DEBESUOTUMAS



DEBESUOTUMAS



LIETUS



SNIEGAS

Atkreipkite dėmesį, kad prietaisas prognozuoja orus remdamasis ribotais parametrais ir gali skirtis nuo oficialių orų prognozių, kurios apskaičiuojamos remiantis pažangiaisiais algoritmais.

### Užšalimo temperatūros indikatorius

Kai lauko temperatūra nukrenta žemiau 3 °C (34 °F), ekrane pasirodo šis simbolis



ir

stotelė skleidžia įspėjamąjį signalą.

**Problemų sprendimas**

Trūksta informacijos vaizduoklyje	<ul style="list-style-type: none"> <li>✧ Patikrinkite, ar baterijos tinkamai įdėtos į prietaisą.</li> </ul>
Temperatūra iš išorinio jutiklio nerodoma.	<ul style="list-style-type: none"> <li>✧ Patikrinkite, ar atstumas tarp stotelės ir jutiklio neviršija 30 m (rekomenduojama).</li> <li>✧ Įsitinkite, kad stotelės ir jutiklis yra bent 2 m atstumu nuo monitorių ir televizorių.</li> <li>✧ Venkite prietaisus statyti ant metalinių langų rėmų arba šalia jų.</li> <li>✧ Nenaudokite stotelių šalia elektroninių įrenginių, pvz., garsiakalbių, kurie veikia tuo pačiu dažniu (433 MHz).</li> <li>✧ Atidžiai patikrinkite, ar stotelė ir išorinis belaidis jutiklis yra tame pačiame kanale</li> <li>✧ Išimkite baterijas, truputį palaukite ir vėl jas įdėkite.</li> </ul>
Rodoma neteisinga temperatūra.	<ul style="list-style-type: none"> <li>✧ Išimkite baterijas, truputį palaukite ir vėl jas įdėkite.</li> <li>✧ Įsitinkite, kad stotelė ar jutiklis nėra veikiami šilumos šaltinių, oro kondicionierių ir pan. Arba jutiklis yra vietoje, kurioje yra tiesioginiai saulės spinduliai.</li> </ul>

**Specifikacija:**

Vidaus/lauko temperatūros rodymas

Vidaus/lauko drėgmės rodymas

Temperatūros tendencijos indikacija

Maksimalios/minimalios temperatūra/drėgmės per dieną išsaugojimas

Orų prognozė ateinančioms 12-24 valandoms

Laikrodis (12/24 valandų formatu) ir kalendorius

Savaitės dienų peržiūra 7 kalbomis (EN/GE/DA/SP/DU/IT/FR)

Žadintuvas su snaudimo funkcija

Belaidis išorinis jutiklis (1 vnt. komplektacijoje)

Iki 3 išorinių jutiklių palaikymas

LCD vaizduoklis su foniniu apšvietimu

LCD vaizduoklio dydis: 61 x 93 mm

Meteorologinės stotelės maitinimo šaltinis: dvi 1,5 V baterijos (AAA dydis, komplektacijoje)

Bevielio jutiklio maitinimo šaltinis: dvi 1,5 V baterijos (AA dydis, komplektacijoje)

Sieninis laikiklis/ stovas

IP54 (atsparumo vandeniui klasė belaidžiam jutikliui)

Belaidžio jutiklio veikimo dažnis: 433,92 MHz

Naudojamoji galia: 18 mW (meteorologinė stotelė), 24 mW (belaidis jutiklis)

Meteorologinės stotelės matmenys: 87 x 25 x 125 mm

Grynasis meteorologinės stotelės svoris: 0,134 kg

Jutiklio matmenys: 38 x 19 x 100 mm

Jutiklio svoris: 0,032 kg

### **Pomembni podatki**

- Shranite ta navodila za uporabo in poročila o varnosti, ker jih boste lahko potrebovali v prihodnosti.
- Ne dovolite, da se na napravo razlije oziroma nanjo kaplja tekočina.
- Naprave ne uporabljajte v vlažnih prostorih, kot je na primer kopalnica.
- Naprave ne smete namestiti na naslednji način:
- Naprava ne sme biti izpostavljena neposrednemu vplivu sončnih žarkov oz. se ne sme nahajati v bližini grelcev.
- Naprava se ne sme postaviti na drugo stereofonsko napravo, ki oddaja toploto.
- Naprava ne sme ovirati prezračevanja oz. se ne sme nahajati v zaprašenem prostoru.
- Naprava ne sme biti izpostavljena stalnim vibracijam.
- Naprava se ne sme nahajati v prostorih z visoko vlažnostjo.
- Naprava se ne sme nahajati v bližini sveč ali odprtega ognja.
- Napravo uporabljajte le na način, opisan v teh navodilih.
- Pred prvim vklopom napajanja se je treba prepričati, da je napajalnik pravilno priklopljen.

Zaradi varnosti ni dovoljeno razstavljanje ohišja oz. pronicanje v notranjost naprave. Napravo lahko popravi le usposobljeno servisno osebje.

Ne razstavlajte in ne odpirajte ohišja naprave, kajti noter ni delov, ki bi jih lahko popravil uporabnik. Vzdrževalna dela in popravila lahko opravljajo le usposobljeni serviserji.

### **POROČILA O VARNOSTI**

1. Preberite navodila za uporabo – pred uporabo naprave je treba prebrati vsa navodila za uporabo in poročila o varnosti.
  2. Shranite navodila za uporabo – navodila za uporabo je treba shraniti za primer kasnejše uporabe.
  3. Upoštevajte opozorila – ukrepajte skladno z vsemi opozorili, ki jih vidite na napravi ter z opozorili, omenjenimi v navodilih za uporabo.
  4. Sledite navodilom – ukrepajte skladno z navodili za uporabo in nasveti za uporabnika.
  5. Namestitvev – napravo postavite skladno s proizvajalčevimi navodili.
  6. Viri napajanja – napravo napajajte izključno iz virov, ki odgovarjajo parametrom, navedenim na napajalnem kablu. Če niste prepričani, kakšno napajanje imate doma, obrnite se na prodajalca naprave oz. lokalnega dobavitelja električne energije.
  7. Voda in vlaga – da bi zmanjšali tveganje požara ali električnega udara, naprave ne izpostavite neposrednemu vplivu dežja, vode in vlage, na primer ne postavite je v savni ali kopalnici. Te naprave ne smete uporabljati v bližini vode, na primer zraven kadi, umivalnika, korita oz. škafo, v vlažni kleti oz. v bližini bazena (in podobnih mest).
  8. Predmeti in tekočine v napravi – skozi odprtine v napravi ne potiskajte nobenih predmetov, saj se tisti predmeti lahko dotaknejo točk z nevarno napetostjo in s komponentami, kar lahko privede do požara oz. električnega udara. Nikakor ne razlijte nobenih tekočin na površino naprave. Na napravo ne smete postaviti predmetov, ki vsebujejo tekočine.
  9. Servisiranje - naprave ne smete servisirati samostojno. Po odpiranju ohišja je uporabnik izpostavljen visoki napetosti in drugi nevarnosti. Vzdrževalna dela in popravila lahko opravljajo le usposobljeni serviserji.
  10. Nadomestni deli – ob zamenjavi delov je treba preveriti, ali je serviser uporabil nadomestne dele proizvajalca oz. ali nadomestni deli ustrezajo originalnim delom. Uporaba nepotrjenih delov lahko privede do požara, električnega udara oz. drugih nevarnih razmer.
  11. Maksimalna temperatura v prostoru, kje je naprava, je 35 °C.
  12. Nasveti glede električnih razelektritev – če delovanje naprave motijo električne razelektritev, je treba napravo izklopiti in ponovno vklopiti oz. jo prestaviti na drugo mesto.
  13. Baterija
- a. Baterije ne smejo biti izpostavljene vplivu prekomerne toplote, npr. sončnih žarkov, ognja idr.
- b. Pri odstranjenju baterij je treba biti posebno pozoren na okoljevarstvena vprašanja.

c. Opozorilo glede uporabe baterije: da se prepreči puščanje baterije, ki lahko privede do poškodb telesa oz. naprave:

- Ob namestitvi baterij pazite na polarizacijo (+ in -).
- Skupaj ne smete uporabljati novih in starih baterij, standardnih in alkalnih idr.
- Če naprave več časa ne uporabljate, odstranite baterije.

#### **OPOZORILO**

Naprave ne smejo uporabljati osebe (vključno z otroki) z zmanjšano fizično, senzorično ali mentalno sposobnostjo ali brez izkušenj oz. znanja, razen če so pod nadzorom osebe, ki je odgovorna za njihovo varnost, oz. če so se poučile z navodili o varni uporabi naprave. Prisotnost odraslih je obvezna, če napravo uporabljajo otroci. S tem se lahko zagotovi varna uporaba naprave.

1. Vključene naprave ne smete pustiti brez nadzora! Napravo izklopite, tudi če naprava le nekaj časa počiva.
2. Naprave ne smete uporabljati preko zunanje ure s časovnim sistemom oz. preko ločenega sistema z daljinskim upravljanjem.
3. Da bi se izognili nevarnosti v primeru poškodovanja napajalnega kabla, zamenjave lahko opravi le proizvajalec, pooblaščen servisno podjetje oz. ustrezno usposobljen strokovnjak.
4. Pred začetkom uporabe naprave je treba preveriti, ali napetost naprave ustreza napetosti lokalnega električnega omrežja.
5. Da se prepreči nastajanje požara ali nevarnost električnega udara, napravo zaščitite pred vročino, vplivom dežja, vlage in praha.
6. Naprave ne izpostavite močnemu magnetnemu polju.
7. Naprave ne postavite neposredno na ojačevalnik ali sprejemnik.
8. Naprave ne postavite na vlažno mesto, ker ima vlaga negativni vpliv na električne komponente.
9. Ko napravo prestavite iz hladnega prostora v tople oz. vlažen prostor, lahko pride do kondenzacije vlage na leči znotraj predvajalnika. To lahko povzroči nepravilno delovanje naprave. Napravo pustite vklopljeno vsaj na eno uro, da vlaga izpari.
10. Naprave ne čistite s kemijskimi topili, ker se lahko na ta način poškoduje lakirana površina ohišja. Napravo obrišite s čisto, suho oz. rahlo navlaženo krpicco.

#### **POZOR**



#### **Izjava**

S tem Blaupunkt Competence Center 2N-Everpol Sp. z o.o. izjavlja, da je ta naprava v skladu z zahtevami in drugimi ustreznimi določili uredbe 2014/53/EU. Celotno izjavo o skladnosti si lahko ogledate na spletni strani [www.blaupunkt.com](http://www.blaupunkt.com) v zavihku izdelka.

Odgovorni subjekt: 2N-Everpol Sp. Z o.o.

Puławska 403A, 02-801 Warszawa, Polska

Telefon: +48 22 688 08 00, e-naslov: [info@everpol.pl](mailto:info@everpol.pl)



Naprava je izdelana iz visokokakovostnih materialov ter komponent, ki se lahko reciklirajo in ponovno uporabijo.



Če je na napravi oznaka prekrižan zabojujnik za odpadke, to pomeni, da za izdelek veljajo določila evropske smernice 2012/19/EU. Seznaniti se je treba z lokalnimi zahtevami za zbiranje električnih ter elektronskih odpadkov. Ukrepati je treba v skladu z lokalnimi predpisi. Izdelek se ne sme odstranjevati skupaj z navadnimi odpadki. Ustrezno odstranjevanje starega izdelka pomaga izključiti morebitne negativne učinke na okolje in človekovo zdravje.



Naprava je opremljena z baterijo, ki jo določa evropska smernica 2006/66/EC. Baterija se ne sme odstranjevati skupaj z gospodinjskimi odpadki. Treba se je seznaniti z lokalnimi predpisi za ločeno zbiranje odpadnih baterij, ker le ustrezna odstranitev preprečuje morebitne negativne učinke za okolje in človekovo zdravje.

#### **Podatki za varovanje okolja**

Komplet vsebuje samo potrebne elemente. Prizadevali smo si, da bodo vsi trije elementi embalaže lahko odstranljivi: karton (škatla), polistirenska pena (zunanja zaščita) in polietilen (vreče, zaščitna plast). Naprava je izvedena iz materialov, ki se lahko reciklirajo, ter jih lahko po demontaži s strani strokovnega podjetja ponovno uporabljamo. Upoštevati je treba lokalne predpise za odstranjevanje embalaž, porabljenih baterij ter nepotrebnih naprav. Za zapisovanje in predvajanje je treba obvezno pridobiti soglasje. Glej Zakon o avtorskih pravicah in pravicah izvajalcev/umetnikov.

#### **Opomba glede ERP2 (naprav, povezanih z energijo)**

Ta naprava z ekonačrtom izpolnjuje zahteve 2. etape Uredbe Komisije (ES) št. 1275/2008 o izvajanju Uredbe 2009/125/ES glede porabe energije o vzpostavitvi okvira za določanje zahtev za primerno okoljsko zasnovano izdelkov, povezanih z energijo.

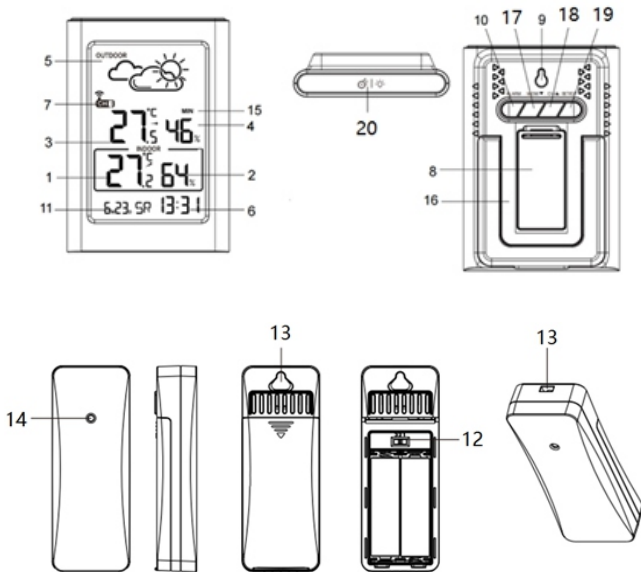


Zahvaljujemo se Vam za nakup naše vremenske postaje. Ta model ima naslednje funkcije.

### Funkcije

- Napovedovanje vremena: sončno, delno oblačno, oblačno, dež, sneg.
  - Notranja / zunanja temperatura.
  - Notranja / zunanja vlažnost.
  - Pomnjenje minimalnih in maksimalnih vrednosti meritev notranje in zunanje temperature in vlažnosti.
  - 12/24-urni način ure, koledar.
  - Alarm s funkcijo dremeža
  - Podpora za do 3 zunanje senzorce, delujoče na različnih kanalih (priložen je samo 1 senzor)
- Prosimo, da pred začetkom uporabe naprave natančno preberete ta navodila za uporabo in zagotovite skladnost z njimi. Prosimo, da navodila shranite za morebiti potrebno poznejšo uporabo.

### Zaslon in krmilni elementi




1. Notranja temperatura / trend
2. Notranja vlažnost
3. Zunanja temperatura / trend
4. Zunanja vlažnost
5. Animirana napoved vremena
6. Ura
7. Indikator kanala zunanjega senzorja
8. Pokrov prostora za baterije
9. Luknja za obesitev
- 10-17-18-19: Upravljalne tipke: alarm, spomin (MEM)/dol , kanal (CH)/ gor , nastavitve (SET),
11. Koledar
12. Stikalo za preklapljanje med senzorskimi kanali
13. Luknje za obesitev
14. Indikatorska lučka senzorja
15. Podatki o najnižjih in najvišjih vrednostih izmerjene temperature in vlažnosti
16. Zložljivo stojalo (razložiti za namestitvev na mizo)
20. Tipka za osvetlitev/dremež

### Namestitvev

Odprite pokrov prostora za baterije. Vstavite 2 bateriji AAA v vremensko postajo, nato vstavite 2 bateriji AA v zunanji senzor skladno s polarnostjo, kot prikazano v prostoru za baterije. (Baterije so priložene.)

Za najboljše delovanje izdelka priporočamo uporabo visokokakovostnih alkalnih baterij. Odsvetuje se uporabo baterij tipa „Heavy Duty“ ali akumulatorskih baterij. Zaslou vremenske postaje se v primeru izpraznitve baterije izklopi. (Približni čas delovanja z novo baterijo je 6 mesecev za vremensko postajo in 12 mesecev za brezžični zunanji senzor. Podana časa delovanja sta le približna, dejansko trajanje delovanja je odvisno od številnih dejavnikov, kot so vrsta uporabljenih baterij, proizvajalec, pogoji delovanja itd.)

### Sprejemanje signala z zunanjega brezžičnega senzorja

Po pravilni namestitvi baterije vremenska postaja samodejno zaznava in sprejema signaliziranje zunanje temperature in vlažnosti z brezžičnega zunanjega senzorja. Iskanje signala traja do največ 3 minute. Simbol za brezžično povezavo (zraven kanala na zaslonu)  bo na zaslonu med iskanjem utripal in se po uspešnem sprejemu signala stabiliziral. Če postaja ne sprejme signala z zunanjega senzorja, indikator sprejema signala po poteku 3 minut izgine in na zaslonu se namesto podatkov o zunanji temperaturi in vlažnosti prikaže naslednji simbol: "- -". Za ponovni vklop iskanje signala z zunanjega senzorja pritisnite in za 3 sekunde pridržite pritisnjeno tipko „gor“.

### Postavitev naprave in druga navodila – opombe:

1. Vremenska postaja lahko deluje z do tremi zunanjimi brezžičnimi senzorji. Za nastavitve želenega kanala senzorja odprite pokrov prostora za baterije in nastavite izbirnik kanalov v ustrezen položaj (na izbiro so 3 kanali). Po nastavitvi izbirnika v zunanjem senzorju na kanal številka 1, izberite kanal številka 1 tudi v vremenski postaji – v tem cilju pritisnite tipko kanala (CH)/gor , da izberete kanal 1. Na enak način lahko seznanite naslednja dva opcijska senzorja, pri tem za njuno povezavo uporabite kanala 2 in 3. V sestavu je priložen le 1 zunanji senzor.
2. Prosimo, da vremensko postajo in zunanji senzor postavite in uporabljate 1,5 ~ 2 metra stran od virov motenj, kot so računalniški monitorji in TV sprejemniki. Vremenska postaja se mora nahajati tudi stran od oken s kovinskimi okvirji.
3. Ne uporabljajte drugih elektronskih artiklov, kot so slušalke ali zvočniki, delujočih na isti frekvenci signala (433,92 MHz), saj lahko povzročijo motnje. Vedite, da lahko pravilno delovanje motijo tudi vaši sosedje, če uporabljajo elektronske naprave, delujoče na isti frekvenci signala (433,92 MHz).
4. Za zagotovitev natančnih meritev notranje temperature postavite vremensko postajo na suho mesto brez umazanije in prahu. Izberite zanjo mesto, ki bo stran od neposredne sončne svetlobe in drugih virov toplote ter stran od prežračevalnih odprtín.

5. Brezžični senzor lahko namestite na prostem. Za najboljšo možno natančnost merjenja postavite senzor v pokončen položaj in tako, da bo vsaj 1,5 ~ 2 metra od tal, namestite ga na mesto, zaščiteno pred dežjem in v dobrih kroženjem zraka. Senzor ne sme biti dlje časa izpostavljen neposredni sončni svetlobi.
6. Delovna oddaljenost brezžičnega senzorja od vremenske postaje je lahko do največ 80 metrov, pod pogojem, da vmes ni ovir.
7. Signal se brezžičnega senzorja pošlje postaji na vsakih 114 sekund (kanal 1), 134 sekund (kanal 2), 158 sekund (kanal 3).

### **Nastavitve koledarja/jezika/ure**

Pritisnite in pridržite tipko nastavitve (SET) 3 sekunde - dokler se na zaslonu ne pojavi utripajoči simbol ON ali OFF, nato pritisnite tipko gor ali dol, da vklopite ali izklopite zvok tipk, pritisnite tipko nastavitvev (SET), da potrdite izbiro in preidete na nastavitvev leto. Ponovite te korake v istem vrstnem redu za nastavitvev drugih parametrov, kot so: format koledarja/mesec/datum/dan v tednu/jezik - razpoložljivi so ti jeziki: GE (nemščina), EN (angleščina), FR (francoščina), IT (italijanščina), SP (španščina), DU (nizozemščina), DA (danščina)/format zapisa ure/ura/minuta. (Pritisnite in pridržite tipko gor ali dol, da pospešite nastavitvev; nastopi samodejna shranitev in izhod iz načina izvajanja nastavitvev, če se v 20 sekundah ne pritisne nobene tipke)

### **Alarm in dremež**

Pritisnite in pridržite tipko ALARM, da aktivirate način nastavitve alarma, pritisnite tipko gor ali dol, da nastavite uro alarma, pritisnite tipko ALARM, da potrdite izbiro in preidete na nastavitvev minute alarma, ki se opravi enako kot nastavitvev ure. S kratkim pritiskom na tipko ALARM lahko zaključite nastavitvev alarma, s ponovnim pritiskom na tipko ALARM pa lahko alarm vklopite/izklopite. (O pravilno vklopljenem alarmu obvešča ikona zvonca, ki se na zaslonu nahaja med prikazoma ur in minut.) Pritisnite zgornjo tipko osvetlitve/dremeža, da se vrnete na urni prikaz tekočega časa.

Ko se alarm aktivira ob vnaprej nastavljenem času, pritisnite katero koli tipko (razen tipke osvetlitve/dremeža), da izklopite zvok alarma, a naslednjega dne se bo alarm znova aktiviral ob istem času. Ko se sproži alarm, na kratko pritisnite tipko osvetlitve/dremeža, da aktivirate funkcijo dremeža, ki bo po 5 minutah ponovno aktivirala alarm. Dremež lahko vsakokrat traja po 5 minut. Pritisnite katero koli drugo tipko (razen tipke osvetlitve/dremeža), da preključite dremež.

Zvok alarma traja 2 minuti, če ga prej ne deaktivirate.

### **Temperatura in vlažnost**

1. Razpon merjenja notranje temperature: -10 ~ +50 °C / 14 ~ 122 °F.

2. Razpon merjenja zunanje temperature: -30 ~ +60 °C / -22 ~ 140 °F.

Opomba: LL.L °C ali HH.H °C se prikaže na zaslonu, kadar je izmerjena vrednost temperature zunaj zgornjega razpona

3. Razpon merjenja notranje in zunanje vlažnosti: 1%-99%

Opomba: LL% ali HH% se prikaže na zaslonu, kadar je izmerjena vrednost vlažnosti zunaj zgornjega razpona

4. Natančnost merjenja temperature: ±1,0°C na razponu od 0°C do +50°C / 32°F ~ 104°F, ±1,5°C izven tega razpona.

5. Natančnost merjenja vlažnosti: ±5% (na razponu 40-70%), ±8% izven tega razpona

6. Pritisnite tipko pomnilnika (MEM), da preverite najvišje in najnižje vrednosti meritev, pritisnite in pridržite pritisnjeno tipko pomnilnika (MEM), da ročno počistite te podatke.

(Opomba: Najvišje in najnižje vrednosti meritev se samodejno brišejo vsak dan ob 00:00).

7. Pritisnite tipko tipko nastavitvev (SET), da spremenite temperaturno enoto s °C (stopinje Celzija) na °F (stopinje Fahrenheita).

### Trend temperature

Puščica zraven temperaturnih podatkov kaže na trend temperature. Njena smer se spreminja v odvisnosti od tega, ali je zadnji odčitek temperature višji ali nižji od prejšnjih odčitkov.

Puščica obrnjena navzgor = temperatura se je v zadnji uri dvignila za 1 °C.

Puščica, usmerjena naravnost = temperatura se je v zadnji uri spremenila za manj kot 1 °C.

Puščica obrnjena navzdol = temperatura je v zadnji uri padla za 1 °C.

### Animirana napoved vremena

Napoved vremena temelji na urnih podatkih o temperaturi in vlažnosti, pridobljenih z zunanjskega senzorja. Postaja napoveduje vremenske razmere za naslednjih 12 ur z natančnostjo 70-75%. Napoved vremena je privzeto nastavljena na ikono "delno oblačno", vremenska postaja bo samodejno umerila vremensko napoved v prvih 1-2 tednih delovanja na podlagi podatkov o temperaturi in vlažnosti, prejetih z zunanjskega senzorja.

Brezžični senzor je treba namestiti zunaj, da se lahko pridobijo natančni podatki o temperaturi in vlažnosti, v nasprotnem primeru je natančnost vremenske napovedi slabša.

Napoved vremena se prikaže z eno od naslednjih ikon:



SONČNO



DELNO OBLAČNO



OBLAČNO



DEŽ



SNEG

Upoštevajte, da naprava napoveduje vreme na podlagi omejenih parametrov in se lahko njene napovedi razlikujejo od uradnih vremenskih napovedi, ki se jih pripravljajo z uporabo naprednih algoritmov.

### Indikator zmrziščne točke

Kadar je zunanja temperatura pod 3°C/34°F, se na zaslonu prikaže ta simbol - tega postaja ododa opozorilni signal.



poleg

### Reševanje problemov

Na zaslonu ni informacije.	<ul style="list-style-type: none"> <li>✧ Preverite, ali so baterije pravilno vstavljene v napravo.</li> </ul>
Temperatura z zunanjega senzorja se ne prikazuje.	<ul style="list-style-type: none"> <li>✧ Preverite, da razdalja med postajo in senzorjem ne presega 30 m (kot je priporočeno)</li> <li>✧ Prepričajte se, da sta postaja in senzor vsaj 2 m stran od monitorjev in TV sprejemnikov.</li> <li>✧ Preverite, ali se naprava ne nahaja blizu kovinskih okenskih okvirjev</li> <li>✧ Preverite, ali se naprava ne uporablja v bližini elektronskih naprav, kot so zvočniki, delujoči na isti frekvenci (433 MHz).</li> <li>✧ Natančno preverite, ali sta postaja in zunanji brezžični senzor nastavljeni na isti kanal.</li> <li>✧ Odstranite baterije, počakajte nekaj časa in jih nato znova vstavite.</li> </ul>
Prikazana temperatura je nepravilna.	<ul style="list-style-type: none"> <li>✧ Odstranite baterije, počakajte nekaj časa in jih nato znova vstavite.</li> <li>✧ Prepričajte se, da na postajo ali senzor ne vplivajo viri toplote, klimatske naprave ipd. ter da se senzor nahaja na mestu, izpostavljenem neposredni sončni svetlobi.</li> </ul>

### Specifikacija:

- Prikaz notranje/zunanje temperature
- Prikaz notranje/zunanje vlažnosti
- Prikaz trenda temperature
- Shranitev maks./min. temperature/vlažnosti tekom dneva
- Napoved vremena za naslednjih 12-24 ur
- Ura (12-/24-urni format) in koledar
- Prikaz dni v tednu v 7 jeziki (EN/GE/DA/SP/DU/IT/FR)
- Alarm s funkcijo dremeža
- Zunanji brezžični senzor (1 kos priložen)
- Podpora do 3 zunanjih senzorjev
- Zaslon LCD z osvetljenim ozadjem
- Velikost zaslona LCD: 61 x 93 mm
- Vir napajanja vremenske postaje: bateriji 2 x 1,5 V (velikost AAA, priloženi)
- Vir napajanja brezžičnega senzorja: bateriji 2 x 1,5 V (velikost AA, priloženi)
- Stensko obešalo/Stojalo
- IP54 (razred vodoodpornosti za brezžični senzor)
- Delovna frekvenca brezžičnega senzorja: 433,92 MHz
- Poraba moči: 18 mW (vremenska postaja), 24 mW (brezžični senzor)
- Mere vremenske postaje: 87 x 25 x 125 mm
- Neto teža vremenske postaje: 0,134 kg
- Mere senzorja: 38 x 19 x 100 mm
- Neto teža senzorja: 0,032 kg

### Svarīga informācija

- Saglabājiet lietošanas instrukciju un informāciju par drošību turpmākai izmantošanai.
- Nepieļaujiet šķidruma pilēšanu vai izliešanu uz ierīces. Ierīci nedrīkst arī lietot mitrās vietās, piemēram, vannas istabā.
- Šo ierīci nedrīkst uzstādīt šādās vietās:
  - vietās, kas pakļautas tiešai saules staru iedarbībai, vai radiatoru tuvumā;
  - novietojot to uz cita stereoaprikojuma, kas rada siltumu;
  - bloķējot ventilāciju vai puteklainā vietā;
  - vietās, kas pakļautas nepārtrauktām vibrācijām;
  - vietās ar augstu mitruma līmeni.
- Ierīci nedrīkst uzstādīt sveču vai atklātas uguns tuvumā.
- Ierīci var lietot tikai šajā instrukcijā aprakstītajā veidā.

Pirms ierīces pirmās ieslēgšanas reizes pārliecinieties, ka barošanas bloks ir pareizi pievienots. Drošības apsvērumu nedrīkst demontēt korpusu un iekļūt ierīces iekšpusē. Ierīces remonts jāveic kvalificētam servisa centra personālam.

Neizjauciet ierīci un neatveriet tās korpusu, jo tās iekšā nav nekādu elementu, ko lietotājs var remontēt patstāvīgi. Ierīces tehnisko apkopi un remontu var veikt tikai kvalificēti servisa centra darbinieki.

### DROŠĪBAS INSTRUKCIJAS

1. Izlasiet instrukcijas — pirms ierīces lietošanas sāksanas izlasiet visu lietošanas instrukciju un informāciju par drošību.
2. Saglabājiet instrukcijas — saglabājiet lietošanas instrukcijas to turpmākai izmantošanai.
3. Ievērojiet brīdinājumus — ievērojiet visus brīdinājumus, kas sniegti uz ierīces, un lietošanas instrukcijas.
4. Ievērojiet instrukciju — ievērojiet lietošanas instrukciju un norādījumus lietotājam.
5. Uzstādīšana — uzstādiet ierīci atbilstoši ražotāja instrukcijām.
6. Barošanas avoti — ierīcei ir jābūt barotai tikai no avotiem ar parametriem, kas norādīti marķējumā uz barošanas kabeļa. Ja lietotājs nav pārliecināts, kāda veida barošanas avots ir viņa mājās, viņam ir jāsaazinās ar ierīces pārdevēju vai vietējo elektroenerģijas piegādātāju.
7. Ūdens un mitrums — lai samazinātu ugunsgrēka vai elektrošoka risku, nepakļaujiet ierīci tiešai lietus, ūdens un mitruma iedarbībai, piemēram, pirti vai vannas istabā. Nelietojiet šo ierīci ūdens tuvumā, piemēram, vannas, izlietnes, virtuves izlietnes vai veļas tovera tuvumā, mitrā pagrabā vai peldbaseina tuvumā (vai līdzīgās vietās).
8. Priekšmeti un šķidrums ierīcē — neievietojiet nekādus priekšmetus cauri ierīces atverēm, jo tie var saskarties ar vietām zem bīstamā sprieguma un detaļām, kas var izraisīt ugunsgrēku vai elektrošoku. Nekādā gadījumā nedrīkst izliet nekādus šķidrumus uz ierīces virsmas. Uz ierīces augšpusē nedrīkst novietot priekšmetus, kas satur šķidrumus.
9. Tehniskā apkope un remonts — nemēģiniet patstāvīgi veikt ierīces apskati. Vāka atvēršana var izraisīt saskari ar bīstamu spriegumu un citā veidā apdraudēt lietotāju. Ierīces tehnisko apkopi un remontu var veikt tikai kvalificēti servisa centra darbinieki.
10. Rezerves daļas — nomainot ierīces daļas pret jaunām, pārliecinieties, ka servisa centra darbinieks ir izmantojis ražotāja ieteiktās rezerves daļas vai ka tās ir identiskas oriģinālajām daļām. Daļas nomainīšanas veikšana, izmantojot neapstiprinātas daļas, var izraisīt ugunsgrēku, elektrošoku vai citus riskus.
11. Maksimālā temperatūra ierīces apkārtņē ir 35 °C.
12. Norādījumi par elektrostatiskajām izlādēm — ja ierīces darbību traucē elektrostatiskās izlādes, izslēdziet ierīci un atkārtoti ieslēdziet to vai pārvietojiet ierīci citā vietā.
13. Baterija
  - a. Baterijas nedrīkst pakļaut pārmērīgai siltuma, piemēram, saules staru, uguns u. tml. iedarbībai.
  - b. Utilizējot baterijas, pievērsiet uzmanību apkārtējās vides aizsardzības aspektiem.

c. Brīdinājums par bateriju lietošanu: lai novērstu baterijas noplūdi, kas var izraisīt traumas vai ierīces bojājumus:

- ievietojot bateriju, ņemiet vērā tā polaritāti (+ un -);
- nedrīkst vienlaicīgi lietot dažāda veida baterijas — vecās un jaunās, standarta un sāрма baterijas utt.;
- izņemiet baterijas no ierīces, kad tā netiek lietota ilgāku laiku.

### **Piezīme par ERP2 (ar enerģiju saistītajām iekārtām)**

Šī ekodizaina ierīce atbilst Komisijas Regulas (EK) Nr. 1275/2008, ar ko īsteno Eiropas Parlamenta un Padomes Direktīvā 2005/32/EK iestrādātās ekodizaina prasības attiecībā uz elektrisko, elektronisko māsaimniecības un biroja iekārtu elektroenerģijas patēriņu gatavības un izslēgtā režīmā, 2. posma prasībām.

### **BRĪDINĀJUMS**

Ierīci nedrīkst lietot personas (tostarp bērni) ar samazinātām fiziskām, maņu vai garīgām spējām un personas ar nepietiekamām zināšanām un pieredzi, ja vien viņas neatrodas personas, kas atbilst par viņu drošību, uzraudzībā un nav apmācītas, kā droši lietot ierīci. Pieaugušo klātbūtnē ir nepieciešama, ja ierīci lieto bērni, lai nodrošinātu drošu ierīces lietošanu.

1. Neatstājiet ierīci darbības laikā bez uzraudzības! Izslēdziet ierīci, ja tā netiek lietota, pat īsu brīdi.
2. Ierīci nedrīkst apkalpot, izmantojot ārējo taimeri vai atsevišķu sistēmu ar tālvadību.
3. Lai izvairītos no riska, kas rodas barošanas kabeļa bojājuma gadījumā, tās nomainīta ir jāveic ražotājam, pilnvarotam servisa centram vai citai personai ar atbilstošu kvalifikāciju.
4. Pirms ierīces lietošanas sākšanas pārliecinieties, ka tās spriegums atbilst spriegumam vietējā barošanas tīklā.
5. Lai izvairītos no ugunsgrēka vai elektrošoka, aizsargājiet ierīci no karstām vietām, lietus, mitruma un putekļu iedarbības.
6. Nepakļaujiet ierīci spēcīga magnētiskā lauka iedarbībai.
7. Nenovietojiet ierīci tieši uz pastiprinātāja vai resivera.
8. Nenovietojiet ierīci mitrā vietā, jo mitrums negatīvi ietekmē elektriskās detaļas.
9. Ūdens un mitrums — lai samazinātu ugunsgrēka vai elektrošoka risku, nepakļaujiet ierīci tiešai lietus, ūdens un mitruma iedarbībai, piemēram, pirti vai vannas istabā. Nelietojiet šo ierīci ūdens tuvumā, piemēram, vannas, izlietnes, virtuves izlietnes vai veļas tovera tuvumā, mitrā pagrabā vai peldbaseina tuvumā (vai līdzīgās vietās).
10. Ierīci nedrīkst tīrīt ar ķīmiskiem šķīdinātājiem, jo tie var sabojāt korpusa lakas pārklājumu. Noslaukiet ierīci ar tīru, sausu vai nedaudz samitrinātu lupatiņu.

### **PIEZĪME**

#### **Deklarācija**



Ar šo uzņēmums Blaupunkt Competence Center 2N-Everpol Sp. z o.o. apliecina, ka šī ierīce atbilst Direktīvas 2014/53/ES prasībām un citiem attiecīgajiem noteikumiem. Pilnu atbilstības deklarāciju var iegūt produkta cilnē timekļa vietnē [www.blaupunkt.com](http://www.blaupunkt.com). Reģistrācijas apliecības īpašnieks: 2N-Everpol Sp. z o.o., Puławska 403A, 02-801 Warszawa, Polija, tālrunis: +48 22 688 08 00, e-pasts: [info@everpol.pl](mailto:info@everpol.pl)



Produkts ir izgatavots no augstas kvalitātes materiāliem un sastāvdaļām, ko var nodot otrreizējai pārstrādei un izmantot atkārtoti.



Ja uz ierices ir pārsvītrotas atkritumu tvertnes zīme, tas nozīmē, ka produktam piemēro Eiropas direktīvas 2012/19/ES prasības. Iepazīstieties ar prasībām par vietējo elektrisko un elektronisko iekārtu atkritumu savākšanas sistēmu. Rīkojieties atbilstoši vietējo tiesību aktu noteikumiem. Šo produktu nedrīkst izmest kopā ar parastiem mājāsaimniecības atkritumiem. Vecā produkta pareiza likvidēšana novērš iespējamās negatīvas sekas apkārtējai videi un cilvēku veselībai.



Ierīce ir aprīkota ar baterijām, kurām piemēro Eiropas direktīvu 2006/66/EK. Baterijas nedrīkst izmest kopā ar mājāsaimniecības atkritumiem. Iepazīstieties ar vietējo tiesību aktu noteikumiem par bateriju atsevišķu savākšanu, jo to pareiza utilizācija novērš iespējamās negatīvas sekas apkārtējai videi un cilvēku veselībai.

#### **Informācija par apkārtējās vides aizsardzību**

Iepakojums ietver tikai nepieciešamus elementus. Ir izdarīts viss iespējamais, lai trīs materiāli, no kuriem izgatavots iepakojums, būtu viegli atdalāmi: kartons (kastīte); polistirola putas (iekšējie aizsargelementi) un polietilēns (maisiņi, aizsargplēve). Ierīce ir izgatavota no materiāliem, ko var nodot otrreizējai pārstrādei un izmantot atkārtoti pēc to demontāžas specializētā uzņēmumā. Ievērojiet vietējo tiesību aktu noteikumus par iepakojuma materiālu, nolietoto bateriju un nevajadzīgu ierīču utilizāciju.

Materiālu ierakstīšanai un atskaņošanai var būt nepieciešama atļaujas iegūšana. Skatīt likumu par autortiesībām un izpildītāju/mākslinieku tiesībām.



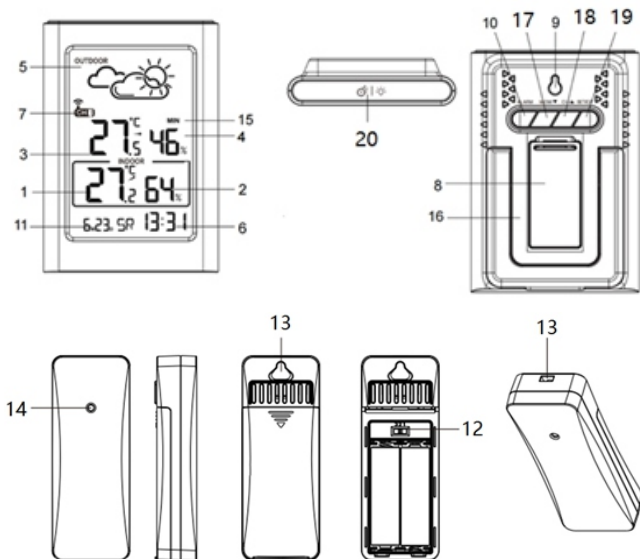
Paldies par mūsu meteoroloģiskās stacijas iegādi. Šis modelis ir aprīkots ar tālāk norādītajām funkcijām.

### Funkcijas

- Laika prognoze: saulaini, daļēji mākoņi, mākoņaini, lietus, sniegš.
- Iekšējā/ārējā temperatūra.
- Iekšējais/ārējais mitrums.
- Maksimālo un minimālo iekšējās un ārējās iekšējo un ārējo temperatūras un mitruma mērījumu vērtību atmiņa.
- 12/24 stundu pulksteņa režīms, kalendārs.
- Modinātājs ar atlikšanas funkciju
- Maksimāli triju ārējo sensoru, kas darbojas dažādos kanālos (komplektā ietilpst tikai viens sensors), atbalsts

Pirms ierīces iedarbināšanas uzmanīgi izlasiet šo lietošanas instrukciju. Saglabājiet instrukciju turpmākai izmantošanai.

### Displejs un vadības elementi




- |  |                                 |
|--|---------------------------------|
| 1. Iekšējā temperatūra/tendence  | 2. Iekšējais mitrums            |
| 3. Ārējā temperatūra/tendence  | 4. Ārējais mitrums              |
| 5. Animēta laika prognoze  | 6. Pulkstenis                   |
| 7. Ārējā sensora kanāla indikators   | 8. Baterijas nodalījuma vāks    |
| 9. Montāžas caurums ierīces pakāršanai   |                                 |
| 10–17–18–19: Regulēšanas pogas: modinātājs, atmiņa (MEM)/lejup, kanāls (CH)/augšup, iestatījumi (SET), | 11. Kalendārs                   |
| 12. Sensora kanālu pārslēgs  | 13. Montāžas caurumi pakāršanai |
| 14. Sensora indikators   |                                 |
| 15. Dati par minimālajām un maksimālajām temperatūras un mitruma mērījumu vērtībām                     |                                 |
| 16. Saliekams paliktnis (izjauciet to, lai uzstādītu uz galdā)   |                                 |
| 20. Apgaismojuma/atlikšanas poga   |                                 |

### Uzstādīšana

Atveriet bateriju nodalījuma vāku. Ievietojiet divas AAA baterijas meteoroloģiskajā stacijā, pēc tam ievietojiet divas AA baterijas ārējā sensorā atbilstoši polaritātei, kas norādīta bateriju nodalījumā. (Baterijas ietilpst komplektā.)

Lai iegūtu vislabāko ierīces veiktspēju, ieteicams izmantot augstas kvalitātes sārma baterijas. Nav ieteicams lietot Heavy duty tipa baterijas vai akumulatorus. Meteoroloģiskās stacijas displejs izslēdzas bateriju izlādēšanas gadījumā. (Aptuvenus darbības ar jaunu bateriju laiks: seši mēneši — meteoroloģiskā stacija, 12 mēneši — ārējais bezvadu sensors. Norādītais darbības laiks ir tikai orientējošs un atkarīgs no daudziem faktoriem tādiem kā izmantoto bateriju veids, ražotājs, darba apstākļi u.tml.)

### Signāla no ārēja bezvadu sensora uztveršana

Pēc bateriju pareizas uzstādīšanas meteoroloģiskā stacija automātiski atklāj un uztver ārējās temperatūras un mitruma mērījuma signālu no ārēja bezvadu sensora. Signāla meklēšana ilgst maksimāli trīs minūtes. Beļvadu simbols (tuvumā esošais kanāls uz ekrāna)  meklēšanas laikā izslēgs uz ekrāna un stabilizējas pēc signāla veiksmīgas uztveršanas. Ja stacija nesajem signālu no ārējā sensora, signāla uztveršanas indikators pazūd pēc trim minūtēm un datu par ārējo temperatūru un mitrumu vietā uz displeja parādās šāds simbols: "--". Lai atkārtoti ieslēgtu signāla no ārējā sensora meklēšanu, nospiediet pogu "augšup" un turiet to nospiestu trīs sekundes.

### Ierīces novietojums un citas piezīmes

- Meteoroloģiskā stacija var darboties kopā ar maksimāli trim ārējiem bezvadu sensoriem. Lai iestatītu vēlamo sensora kanālu, atveriet bateriju nodalījuma vāku un uzstādiet kanālu pārslēgu atbilstošā pozīcijā (ir pieejami trīs kanāli). Pēc pārslēgta ārējā sensorā uzstādīšanas uz 1. kanālu izvēlieties 1. kanālu arī meteoroloģiskajā stacijā — šim mērķim nospiediet kanāla pogu (CH)/augšup, lai izvēlētos 1. kanālu. Tāpat var arī savienot pārī divus nākamos opcionālus sensorus, izmantojot 2. un 3. kanālu. Komplektā ietilpst tikai viens ārējais sensors.
- Novietojiet un lietojiet meteoroloģisko staciju un ārējo sensoru 1,5–2 metru attālumā no traucējumu avotiem tādiem kā datoru monitori vai televizori. Meteoroloģiskā stacija ir jānovieto arī tālu no logiem ar metāla rāmjiem.
- Nelietojiet citus elektroniskās ierīces, piemēram, austiņas vai skaļruņus, kas darbojas ar tādu pašu signāla frekvenci (433,92 MHz), jo tie var radīt traucējumus. Ņemiet vērā, ka, ja Jūsu kaimiņi lieto elektroniskās ierīces, kas darbojas ar to pašu signāla frekvenci (433,92 MHz), tās arī var radīt traucējumus stacijas pareizai darbībai.
- Lai nodrošinātu precīzu iekšējās temperatūras mērījumu, novietojiet meteoroloģisko staciju sausā vietā, kas ir brīva no netīrumiem un putekļiem. Izvēlieties vietu tālu no tiešiem saules stariem un citiem siltuma avotiem, kā arī tālu no ventilācijas atverēm.

5. Bezvadu sensoru var uzstādīt ārpus telpām. Lai iegūtu pēc iespējas labāku mērījumu precizitāti, novietojiet sensoru vertikālā stāvoklī, vismaz 1,5–2 metru augstumā no zemes, vietā, kas nodrošina aizsardzību pret lietu un labu gaisa cirkulāciju. Nepakļaujiet sensoru ilgstošai tiešai saules staru iedarbībai.

6. Maksimālais bezvadu sensora darba attālums ir 80 metri no meteoroloģiskās stacijas, bez šķēršļiem starp tiem.

7. Signāls no bezvadu sensora tiek nosūtīts uz staciju ik pēc 114 sekundēm (1. kanāls), 134 sekundēm (2. kanāls), 158 sekundēm (3. kanāls).

### Kalendāra/valodas/pulksteņa iestatījumi

Nospiediet iestatījumu pogu (SET) un turiet to nospiestu trīs sekundes, līdz uz ekrāna parādās mirgojošs simbols "ON" vai "OFF", nospiediet pogu augšup vai lejup, lai ieslēgtu vai izslēgtu pogu skaņu, nospiediet iestatījumu pogu (SET), lai apstiprinātu izvēli un pārietu uz gada iestatīšanu. Atkārtojiet šīs darbības tādā pašā secībā, lai iestatītu pārējos parametrus tādus kā: kalendāra formāts/mēnesis/datums/nedēļas diena/valoda — ir pieejamās šādas valodas: GE (vācu), EN (angļu), FR (franču), IT (itāļu), SP (spāņu), DU (nīderlandiešu), DA (dāņu)/stundas formāts/stunda/minūte. (Nospiediet pogu augšup vai lejup un turiet to nospiestu, lai paātrinātu regulēšanu; iestatījumi tiek automātiski saglabāti un ierīce iziet no pašreizējiem iestatījumiem, ja 20 sekunžu laikā netiek nospiesta neviena poga.)

### Modinātājs un atlikšana

Nospiediet pogu "MODINĀTĀJS" un paturiet to nospiestu, lai aktivizētu modinātāja laika iestatīšanas režīmu, nospiediet pogu augšup vai lejup, lai iestatītu modinātāja stundu, nospiediet pogu "MODINĀTĀJS", lai apstiprinātu izvēli un pārietu uz minūšu iestatīšanu, kas tiek veikta tāpat kā stundas iestatīšana. Īsi nospiežot pogu "MODINĀTĀJS", var pabeigt modinātāja iestatīšanu. Atkārtoti nospiežot pogu "MODINĀTĀJS", var ieslēgt/izslēgt modinātāju (par modinātāja pareizu ieslēgšanu informē zvana ikona, kas parādās starp stundu un minūšu indikatoru uz displeja). Nospiediet augšējo apgaismojuma/atlikšanas pogu, lai atgrieztos uz pulksteņa laika rādīšanu.

Ja modinātāja signāls skan iestatītajā laikā, nospiediet jebkuru pogu (izņemot apgaismojuma/atlikšanas pogu), lai atceltu modinātāja skaņu, un modinātājs ieslēdzas atkārtoti tajā pašā laikā nākamajā dienā. Modinātāja signāla laikā īsi nospiediet apgaismojuma/atlikšanas pogu, lai aktivizētu atlikšanas funkciju, kas atkārtoti aktivizēs trausmi pēc piecām minūtēm. Atlikšanu var atkārtot ik pēc piecām minūtēm. Nospiediet jebkuru citu pogu (izņemot apgaismojuma/atlikšanas pogu), lai atceltu atlikšanu.

Modinātāja signāla skaņa ilgst divas minūtes, ja tā nav iepriekš atcelta.

### Temperatūra un mitrums

1. Iekšējās temperatūras mērīšanas diapazons:  $-10 \sim +50^{\circ}\text{C}/14 \sim 122^{\circ}\text{F}$

2. Ārējās temperatūras mērīšanas diapazons:  $-30 \sim +60^{\circ}\text{C}/-22 \sim 140^{\circ}\text{F}$

Piezīme. "LL.L °C" vai "HH.H °C" parādās uz displeja, ja izmērītā temperatūras vērtība ir ārpus iepriekš norādītā diapazona.

3. Iekšējā un ārējā mitruma mērīšanas diapazons: 1–99 %

Piezīme. "LL%" vai "HH%" parādās uz displeja, ja izmērītā mitruma vērtība ir ārpus iepriekš norādītā diapazona.

4. Temperatūras mērījuma precizitāte:  $\pm 1,0^{\circ}\text{C}$  diapazonā no  $0^{\circ}\text{C}$  līdz  $+50^{\circ}\text{C}/32 \sim 104^{\circ}\text{F}$ .  $\pm 1,5^{\circ}\text{C}$  ārpus iepriekš minētā diapazona.

5. Mitruma mērījuma precizitāte:  $\pm 5\%$  (diapazonā no 40 % līdz 70 %),  $\pm 8\%$  ārpus diapazona

6. Nospiediet atmiņas pogu (MEM), lai pārbaudītu maksimālās un minimālās mērījumu vērtības. Nospiediet atmiņas pogu (MEM) un turiet to nospiestu, lai manuāli dzēstu šos datus. (Piezīme. Maksimālās un minimālās mērījumu vērtības tiek automātiski dzēstas katru dienu plkst. 00:00.)

7. Nospiediet pogu iestatījumi (SET), lai mainītu temperatūras mērvienību: no °C (grādiem pēc Celsija) uz °F (grādiem pēc Fārenheita).

### Temperatūras tendence

Bultiņa temperatūras datu tuvumā informē par temperatūras tendenci. Tās virziens mainās atkarībā no tā, vai pēdējais temperatūras rādījums ir augstāks vai zemāks par iepriekšējiem rādījumiem.

Uz augšu vērstā bultiņa = temperatūra pēdējās stundas laikā ir paaugstinājusies par 1 °C.

Bultiņa, kas vērsta uz priekšu = temperatūra pēdējās stundas laikā ir mainījies par mazāk nekā 1 °C.

Uz leju vērstā bultiņa = temperatūra pēdējās stundas laikā ir samazinājusies par 1 °C.

### Animēta laika prognoze

Laika prognoze balstās uz stundas laikā savāktiem datiem par temperatūras un mitrumu no ārējā sensora. Stacija prognozē laika apstākļus nākamajām 12 stundām ar 70–75 % precizitāti.

Noklusējuma laika prognozes ikona ir iestatīta uz "daļēji mākoņaini", meteoroloģiskā stacija automātiski kalibrē laika prognozi pirmajās 1–2 darbības nedēļās, pamatojoties uz datiem par temperatūru un mitrumu no ārējā sensora.

Novietojiet bezvadu sensoru ārpus telpām, lai iegūtu precīzus temperatūras un mitruma datus, pretējā gadījumā tas ietekmēs laika apstākļu prognozes precizitāti.

Laika prognoze tiek parādīta vienā no šādām kombinācijām.



SAULAINS



DAĻĒJI MĀKOŅAINS



MĀKOŅAINS



LIETUS



SNIEGS

Ņemiet vērā, ka ierīce prognozē laiku, pamatojoties uz ierobežotiem parametriem, tāpēc prognoze var atšķirties no oficiālajām laika prognozēm, kas tiek aprēķinātas, pamatojoties uz uzlabotiem algoritmiem.

### Sasalšanas temperatūras indikators

Ja ārējā temperatūra nokrīt zem 3 °C/34 °F, uz displeja parādās šis simbols



un

**Problēmu risināšana**

Nav informācijas uz displeja.	<ul style="list-style-type: none"> <li>✧ Pārļiecinieties, ka baterijas ir pareizi uzstādītas ierīcē.</li> </ul>
Temperatūra no ārējā sensora netiek rādīta.	<ul style="list-style-type: none"> <li>✧ Pārļiecinieties, ka attālums starp staciju un sensoru nepārsniedz 30 m (ieteicams).</li> <li>✧ Pārļiecinieties, ka stacija un sensors atrodas vismaz 2 m attālumā no monitoriem un televizoriem.</li> <li>✧ Izvairieties no ierīču novietošanas uz logu metāla rāmjiem vai to tuvumā.</li> <li>✧ Izvairieties no staciju lietošanas tādu elektronisko ierīču tuvumā kā skaļruņi, kas darbojas tajā pašā frekvencē (433 MHz).</li> <li>✧ Pārļiecinieties, ka stacija un ārējais bezvadu sensors ir iestatīti tajā pašā kanālā.</li> <li>✧ Izņemiet baterijas, pagaidiet kādu brīdi un uzstādiet tās atpakaļ.</li> </ul>
Parādītā temperatūra ir nepareiza.	<ul style="list-style-type: none"> <li>✧ Izņemiet baterijas, pagaidiet kādu brīdi un uzstādiet tās atpakaļ.</li> <li>✧ Pārļiecinieties, ka staciju vai sensoru neietekmē siltuma avoti, gaisa kondicionētāji u. tml. vai ka sensors neatrodas vietā, kas pakļauta tiešai saules staru iedarbībai.</li> </ul>

**Specifikācija**

- Iekšējās/ārējās temperatūras rādīšana
- Iekšējā/ārējā mitruma rādīšana
- Temperatūra tendences norādīšana
- Maksimālās/minimālās temperatūras/mitruma dienas laikā saglabāšana
- Laika prognoze nākamajām 12–24 stundām
- Pulkstenis (12/24 stundu formāts) un kalendārs
- Nedēļas dienu rādīšana septiņās valodās (EN/GE/DA/SP/DU/IT/FR)
- Modinātājs ar atlikšanas funkciju
- Bezvadu ārējais sensors (1 gab. komplektā)
- Maksimāli triju ārējo sensoru atbalsts
- LCD displejs ar apgaismojumu
- LCD displeja izmērs: 61 × 93 mm
- Meteoroloģiskās stacijas barošanas avots: divas 1,5 V baterijas (AAA izmērs, ietilpst komplektā)
- Bezvadu sensora barošanas avots: divas 1,5 V baterijas (AA izmērs, ietilpst komplektā)
- Sienas āķis/statīvs
- IP54 (ūdensnecaurlaidības klase bezvadu sensoram)
- Bezvadu sensora darbības frekvence: 433,92 MHz
- Jaudas patēriņš: 18 mW (meteoroloģiskā stacija), 24 mW (bezvadu sensors)
- Meteoroloģiskās stacijas izmēri: 87 × 25 × 125 mm
- Meteoroloģiskās stacijas neto svars: 0,134 kg
- Sensora izmēri: 38 × 19 × 100 mm
- Sensora neto svars: 0,032 kg



**Competence Center**

2N-Everpol Sp. z o.o.  
ul. Puławska 403A  
02-801 Warsaw, Poland  
phone: +48 22 688 08 00  
e-mail: [info@everpol.pl](mailto:info@everpol.pl)  
[www.blaupunkt.com](http://www.blaupunkt.com)

W przypadku pytań lub problemów  
prosimy o kontakt z naszym serwisem.  
In case of questions or problems  
please contact our service.

Tel. 00 48 22 688 08 33  
E-mail: [info@blaupunkt-audio.pl](mailto:info@blaupunkt-audio.pl)

Wszelkie prawa zastrzeżone. Wszystkie nazwy marek są zarejestrowanymi znakami towarowymi należącymi do odpowiednich podmiotów. Dane i parametry techniczne mogą ulec zmianie bez wcześniejszego uprzedzenia.

All rights reserved. All brand names are registered trademarks of their respective owners. Specifications are subject to change without prior notice.



*Enjoy it.*