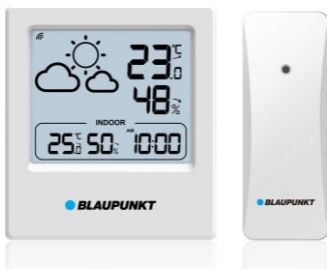


Owner's Manual
Instrukcja obsługi
Návod k použití
Navodila za uporabo
Használati útmutató
Upute za upotrebu
Lietošanas instrukcija

Instrucțiune de deservire
Инструкция за употреба
Οδηγίες χρήσης
Kasutusjuhend
Naudojimo instrukcijos
Uživatelská příručka



Enjoy it.

Multi-functional Weather station

Important Notes

- safety and operating instruction should be retained for future reference.
- The apparatus should not be exposed to dripping or splashing or placed in a humid atmosphere such as a bathroom.
- Do not install the product in the following areas:
 - Places exposed to direct sunlight or close to radiators.
 - On top of other stereo equipment that radiate too much heat.
 - Blocking ventilation or in a dusty area.
 - Areas where there is constant vibration.
 - Humid or moist places.
 - Do not place near candles or other naked flames.
- Operate the product only as instructed in this manual.
- Before turning on the power for the first time, make sure the power adaptor is properly connected.

For safety reasons, do not remove any covers or attempt to gain access to the inside of the product. Refer any servicing to qualified personnel. Do not attempt to remove any screws, or open the casing of the unit; there are no user serviceable parts inside. Refer all servicing to qualified service personnel.

SAFETY INSTRUCTIONS

1. Read Instructions - All the safety and operating instructions must be read before the product is operated.
2. Retain Instructions - The safety and operating instructions should be kept with the product for future reference.
3. Heed warnings - All warnings on the product and in the operating instructions should be adhered to.
4. Follow instructions - All operating and users' instructions should be followed.
5. Installation - Install in accordance with the manufacturer's instructions.
6. Power sources - This product should be operated only from the type of power source indicated by the marking adjacent to the power cord entry. If you are not sure of the type of power supply to your home, consult your product dealer or local power company.
7. Water and moisture - To reduce the risk of fire or electric shock, do not expose the product to rain, dripping, splashing or excessive moisture such as in a sauna or bathroom. Do not use this product near water, for example, near a bathtub, washbowl, kitchen sink, laundry tub, in a wet basement or near a swimming pool (or similar).

8. Object and Liquid Entry - Never push objects of any kind into this product through openings, as they may touch dangerous voltage points or short-circuit parts that could result in a fire or electric shock. Never spill liquid of any kind on the product. Do not place any object containing liquid on top of the product.

9. Servicing - Do not attempt to service this product yourself, as opening or removing covers may expose you to dangerous voltage or other hazards. Refer all servicing to qualified service personnel.

10. Replacement parts - When replacement parts are required, ensure that the service technician has used replacement parts specified by the manufacturer or have the same characteristics as the original part. Unauthorized substitutions may result in fire, electric shock or other hazards.

11. The highest environmental temperature suitable for this product is 35°C.

12. ESD hints - If the product maybe reset or not reset to operation of control due to electrostatic discharge, just switch off and reconnect again, or move the product to another location.

13. Battery

a. The batteries must not be exposed to excessive heat such as sunshine, fire or the like.

b. The batteries should be drawn to the environmental aspects of battery disposal.

c. Battery usage CAUTION-to prevent battery leakage which may result in body injuries, property damage, or damage to the apparatus:

- . Install all batteries correctly, + and – as marked on the apparatus.
- . Do not mix batteries (old and new or carbon and alkaline, etc.)
- . Remove batteries when the unit is not used for a long time.

ERP2 (Energy Related Products) note

This product with ecodesign complies with the stage 2 requirements of Commission Regulation (EC) NO. 1275/2008 implementing Directive 2009/125/EC regard to standby and off mode electric power consumption of electronic household and office equipment.

WARNING

This appliance is not intended for use by persons (including children) with reduced physical sensory or mental capabilities, or lack of experience and knowledge, unless they have been given supervision or instruction concerning use of the appliance by a person responsible for their safety. Children should be supervised to ensure that they do not play with the appliance.

1. Never use the device unsupervised! Switch off the device whenever you are not using it, even if this only for a short while.
2. The appliance is not intended to be operated by means of an external timer or separate remote control system.
3. If the supply cord is damaged, it must be replaced by the manufacturer, its service agent or similarly qualified persons in order to avoid a hazard.
4. Before operating this system, check the voltage of this system to see if it is identical to the voltage of your local power supply.
5. To prevent fire or shock hazard, do not expose this equipment to hot places, rain, moisture or dust.
6. Do not place this unit close to a strong magnetic field.
7. Do not place the unit on a amplifier or receiver.
8. Do not place this unit in a damp area as the moisture will affect the life of electric components.
9. If the system is brought directly from a cold to a warm location, or is placed in a very damp room, moisture may condense on the lens inside the player. If this occurs, the system will not operate properly. Please leave the system turned on for about an hour until the moisture evaporates.
10. Do not attempt to clean the unit with chemical solvents as this might damage the finish. Wipe with a clean, dry or slightly damp cloth.

NOTICE

Conformity

Hereby, Blaupunkt Competence Center 2N-Everpol Sp. z o.o., declares that this equipment is in compliance with the essential requirement and other relevant provisions of Directive 2014/53/EU. Declaration of conformity can be obtained from the product page at www.blaupunkt.com.

Responsible party: 2N-Everpol Sp. z o.o, Puławska 403A, 02-801 Warsaw, Poland, Phone: +48 22 688 08 00, E-mail: info@everpol.pl



Your products is designed a manufactured with high quality materials and components, which can be recycled and reused.



When this crossed-out wheeled bin symbol is attached to a product it means that the product is covered by the European Directive 2012/19/EU. Please inform yourself about the local separate collection system for electrical and electronic products. Please act according to your local rules and do not dispose of your old products with your normal household waste. Correct disposal of your old product helps to prevent potential negative consequences for the environment and human health.



Your product contains batteries covered by the European Directive 2006/66/EC, which cannot be disposed of with normal household waste. Please inform yourself about the local rules on separate collection of batteries because correct disposal helps to prevent negative consequences for the environmental and human health.

Environmental information

All unnecessary packaging has been omitted. We have tried to make the packaging easy to separate into three materials: cardboard (box), polystyrene foam (buffer) and polyethylene (bags, protective foam sheet). Your system consists of material which can be recycled and reused if disassembled by a specialized company. Please observe the local regulations regarding the disposal of packaging materials, exhausted batteries and old equipment.

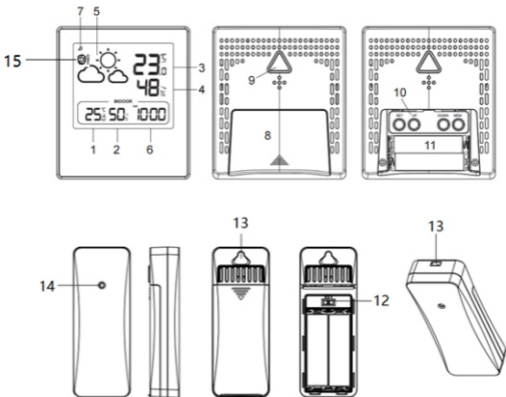
Recording and playback of material might require consent. See Copyright Act 1956 and The Performer's Protection Acts 1958 to 1972.

Many thanks purchase our model, this weather station product includes below features. Please read and reference this manual carefully before operate the unit. Please keep the manual for future operation reference.

Features

- Weather forecast: Sunny, Partly cloudy, Cloudy, Rainy, Snowy.
- Freezing point indicator.
- Indoor/outdoor temperature.
- Indoor & outdoor humidity.
- In/outdoor maximum & minimum temp. & humidity history memory.
- 12/24 hours clock time.
- Outdoor wireless transmitter with temperature and humidity sensor.

Display & controls




- | | |
|--|------------------------------|
| 1. Indoor temperature/trend | 2. Indoor humidity/trend |
| 3. Outdoor temperature/trend | 4. Outdoor humidity/trend |
| 5. Animated weather forecast | 6. Clock time |
| 7. Signal receiving wireless symbol | 8. Battery compartment cover |
| 9. Hole for hanging | |
| 10. Adjustment buttons: set/up/down/memory | |
| 11. Battery compartment | 12. Channel selector |
| 13. Rope and hook hole | 14. Sensor |
| 15. Freezing indicator | |

Installation

Open the battery compartment cover. Insert 2 x AAA batteries to the main unit, and insert 2 x AA batteries to the outdoor transmitter according to the correct polarity showed in the compartment. (Batteries are included)

We recommend use high quality alkaline for the best product performance. Heavy duty or rechargeable batteries are not recommended. The display will off in case of battery power exhausted. (Fresh battery using life time: 6month for main unit, 12month for outdoor wireless transmitter, reference only, not warranty)

Receive signal from outdoor wireless transmitter

The main unit can detect and receive the outdoor temperature and humidity wireless signal from transmitter automatically after power setting ready. There will take 3 minutes maximum for signal searching. The signal receiving wireless symbol  will flash on display during searching, and becomes stable after get the signal. The wireless symbol will be disappeared after 3 minutes if there is no available signal be received. And outdoor temperature and humidity data will show "--" on display. In case you need reconnect the wireless signal, please press and hold the up button 3 seconds.

Placement and important notes:

1. The main unit support 1 outdoor wireless transmitter only. If the transmitter includes channel switching, please always set it as channel 1 (*The sensor might be unified for different products that are with 3 channels)
2. please use and put main unit or transmitter device 1.5~2 meters away from interference source like computer monitors or TV sets. Please also place the main unit stand up far away with metal window frames.
3. Please do not use other electronic products such as headphones or speakers operating at the same signal frequency (433.92MHz), which

may cause interference. Your neighbors use electronic devices operating on the same signal frequency (433.92MHz) can also cause interference.

4. To ensure accurate temperature measurement, place the device in a dry area, free of dirt and dust. Place out of direct sunlight and away from heat sources or vents.

5. You can install the wireless transmitter outdoor. For better accuracy of using, please place the sensor lengthwise/ standing up 1.5~2 meters at least away from the ground with enough air flowing and protection without rainy. Please do not expose the sensor to direct sunlight for a long time.

6. The maximum working distance of wireless transmitter is 80 meters away from main unit without obstacle in between.

7. The wireless signal from transmitter will refresh in every 114 seconds.

Clock time setting

Press and hold set button 3 seconds and get the 12/24H text flash on display, press up or down button to choose the time format; press set button to confirm and skip to hours setting, press up or down button to adjust the hours; press set button again to confirm and skip to minute, which is same as hour's setting; repress set button to confirm and finish the time setting. (Press and hold up or down button can accelerate the adjustment.)

Temperature and humidity

1. Indoor temperature range: -10 ~ +50 °C / 14 ~ 122 °F.

2. Outdoor temperature range: -30 ~ +60 °C / -22 ~ 140 °F.

Remarks: LL.L °C or HH.H °C will show on display when out of the above range

3. Indoor and outdoor humidity range: 1%-99%

LL% or HH% will display when out of range

4. Temperature accuracy: $\pm 1,0^{\circ}\text{C}$ between $0^{\circ}\text{C} \sim +50^{\circ}\text{C}$ / $32^{\circ}\text{F} \sim 104^{\circ}\text{F}$.
 $\pm 1,5^{\circ}\text{C}$ outside this measuring range

5. Humidity accuracy: (40-70%) $\pm 5\%$, others $\pm 8\%$

6. Press memory to check maximum and minimum history data, press and hold memory button to manually clear the record. (Remarks: Historical record will be cleared automatically at 00:00 every day).

7. Press down button to switch temperature units: °C (Celsius degree) or °F (Fahrenheit degree).

Temperature trend

The temperature trend arrow (nearby temperature data) in different directions depending on whether the latest temperature reading is higher or lower than previous readings.

Arrow angled upwards=Temperature rose up 1°C in the past 1 hour.

No arrow= Temperature changed less than 1°C in the past 1 hour.

Arrow angled downwards=Temperature fell off 1°C in the past 1 hour.

Humidity trend

The humidity trend arrow in different directions depending on whether the latest humidity reading is higher or lower than previous readings.

Arrow angled upwards=Temperature rose up 5% in the past 1 hour.

No arrow= temperature unchanged in the past 1 hour.

Arrow angled downwards=Temperature fell off 5% in the past 1 hour.

Weather forecast

The weather forecast is based on collected hourly temperature & humidity data from the outdoor sensor. The forecast station predicts weather conditions for the next 12 hours with 70-75% accuracy. The default weather icon is partly cloudy, the base station will calibrate the weather report in the first 1-2 week based on the outdoor temperature and humidity data.

The outdoor wireless transmitter should be placed outside to get accurate outdoor data, or it will affect the accurate of the weather forecast.

Weather forecast will appear in one of the following combinations (reference only):



SUNNY

PARTLY CLOUDY

CLOUDY

RAINY

SNOWY

Please note that the device forecasts the weather based on limited parameters and may differ from official weather forecasts which are calculated on the basis of advanced algorithms.

Frost indicator

After the outside temperature has fallen below 3°C / 34°F, the symbol is displayed as an indication and warning signal.

Trouble shooting

Doesn't display anything.	✧ Check if the batteries power installed correct in the device.
Temperature from outdoor sensor not displayed.	✧ Check that the distance between the thermometer and sensor doesn't exceed 30m(recommended). ✧ Make sure that the devices are located at least 2m from monitors and TV sets. ✧ Avoid placing the devices on or close to window frames made of metal. ✧ Avoid using electronic devices such as loudspeakers which operate at the same frequency (433MHz), close to the devices. ✧ Remove the batteries, wait a while and then reinsert them.
Displayed temperature is incorrect.	✧ Remove the batteries, wait a while and then re-insert them. ✧ Make sure that the devices are not affected by heat sources or air-conditioning units and such.

Specifications:

- Indoor / outdoor temperature display
- Indoor / outdoor humidity display
- Temperature / humidity trend indication
- Weather forecast for next 12-24hours
- Freezing point indicator
- Clock (12/24 hour format)
- Outdoor sensor included (1 pc)
- LCD display
- Main unit power source: 2 x 1.5V (AAA size, included)
- Outdoor wireless transmitter power source: 2 x 1.5 V (AA size, included)
- Wireless transmitter working frequency: 433.92 MHz
- Power consumption: 18 mW (main unit), 24 mW (wireless transmitter)
- Wall hanger / Table stand
- Device dimensions: 81 x 26 x 93 mm
- Display dimensions: 53 x 62 mm
- Device Net weight: 0.073 kg
- Sensor dimensions: 38 x 19 x 100 mm
- Sensor Net weight: 0.032 kg

Ważne informacje

- Należy zachować instrukcję obsługi oraz informacje dotyczące bezpieczeństwa w celu wykorzystania ich w przyszłości.
- Nie należy dopuszczać do tego, aby na urządzenie kapąła lub wylewała się ciecz. Nie wolno też używać go w wilgotnych miejscach, jak np. łazienka.
- Nie wolno instalować tego urządzenia w następujących miejscach:
- Wystawionych na bezpośrednie działanie promieni słonecznych lub w pobliżu grzejników.
- Kłaść go na wierzchu innego sprzętu stereofonicznego który wydziela ciepło.
- Blokując wentylację lub w zapyłonym miejscu.
- W miejscach narażonych na ciągłe drgania.
- W miejscach o wysokiej wilgotności.
- Nie wolno stawiać urządzenia w pobliżu świec lub otwartego ognia.
- Urządzenia można używać wyłącznie w sposób opisany w niniejszej instrukcji.
- Przed pierwszym włączeniem zasilania należy upewnić się, że zasilacz został prawidłowo podłączony.

Ze względów bezpieczeństwa nie należy demontować obudów ani uzyskiwać dostępu do wnętrza urządzenia. Urządzenie powinno być naprawiane przez wykwalifikowany personel serwisu.

Nie wolno rozkręcać urządzenia ani otwierać jego obudowy, gdyż wewnątrz nie ma żadnych części, które mogłyby być naprawiane przez użytkownika. Konserwacją i naprawą sprzętu zajmują się wyłącznie wykwalifikowani pracownicy serwisu.

INSTRUKCJE DOTYCZĄCE BEZPIECZEŃSTWA

1. Przeczytać instrukcje — przed korzystaniem z urządzenia należy przeczytać całość instrukcji obsługi oraz informacje o bezpieczeństwie.
2. Zachować instrukcje — należy zachować instrukcje użytkownika i obsługi w celu wykorzystania ich w przyszłości.
3. Przestrzegać ostrzeżeń — należy postępować zgodnie z wszystkimi ostrzeżeniami zamieszczonymi na urządzeniu oraz zgodnie z instrukcją obsługi.
4. Przestrzegać instrukcji — należy postępować zgodnie z instrukcją obsługi oraz wskazówkami dla użytkownika.
5. Instalacja — należy ustawić urządzenie zgodnie z instrukcjami producenta.
6. Źródła zasilania – urządzenie powinno być zasilane wyłącznie ze

źródeł o parametrach podanych na oznaczeniach na kablu zasilania.

Jeżeli użytkownik nie jest pewien, jakiego rodzaju zasilaniem dysponuje w domu, powinien skontaktować się ze sprzedawcą urządzenia lub lokalnym dostawcą energii elektrycznej.

7. Woda i wilgoć — aby zmniejszyć zagrożenie pożarem lub porażeniem elektrycznym, nie wolno narażać urządzenia na bezpośrednie działanie deszczu, wody i wilgoci, jak np. w saunie czy w łazience. Nie używać niniejszego urządzenia w pobliżu wody, na przykład obok wanny, umywalki, zlewu kuchennego lub balii, w wilgotnej piwnicy lub w pobliżu basenu (lub w podobnych miejscach).

8. Przedmioty i ciecze w urządzeniu — nie należy wciskać jakichkolwiek przedmiotów przez otwory urządzenia, ponieważ mogą one zetknąć się z punktami niebezpiecznego napięcia i podzespołami, co może wywołać pożar lub porażenie prądem. Pod żadnym pozorem nie należy rozlewać jakichkolwiek cieczy na powierzchni urządzenia. Nie wolno kłaść na wierzchu urządzenia przedmiotów zawierających ciecze.

9. Serwisowanie – nie należy próbować własnoręcznego przeglądania urządzenia. Otwieranie pokrywy może spowodować kontakt z niebezpiecznym napięciem i narażać użytkownika na inne niebezpieczeństwa. Konserwacją i naprawą sprzętu zajmują się wyłącznie wykwalifikowani pracownicy serwisu.

10. Części zamienne — przy wymianie części należy sprawdzić, czy pracownik serwisu użył części zamiennych zalecanych przez producenta lub też czy części są identyczne jak część oryginalna. Dokonywanie wymiany na niezatwierdzone części grozi wybuchem pożaru, porażeniem prądem elektrycznym lub innymi niebezpieczeństwami.

11. Maksymalna temperatura otoczenia urządzenia wynosi 35°C.

12. Wskazówki dotyczące wyładowań elektrostatycznych — jeśli działanie urządzenia jest zakłócone wyładowaniami elektrostatycznymi, należy go wyłączyć i ponownie włączyć lub przenieść urządzenie w inne miejsce.

28. Bateria

a. Baterie nie mogą być narażone na działanie nadmiernego ciepła, jak np. promieni słonecznych, ognia itp.

b. Podczas utylizacji baterii należy zwrócić uwagę na aspekty ochrony środowiska.

c. Przestroga dotycząca używania baterii: aby nie dopuścić do rozszczelnienia baterii, które może spowodować obrażenia ciała bądź uszkodzenie urządzenia:

- Podczas wkładania baterii zwrócić uwagę na jej polaryzację (+ i -).
- Nie wolno jednocześnie używać różnych baterii — starych i nowych baterii standardowych i alkalicznych itd.
- Należy wyjąć baterie z urządzenia, gdy nie będzie ono używane przez dłuższy czas.

Uwaga dotycząca ERP2 (urządzeń związanych z energią)

Niniejsze urządzenie z ekoprojektem spełnia wymagania etapu 2 Rozporządzenia Komisji (WE) nr 1275/2008 wprowadzającego dyrektywę 2009/125/WE dotyczącą poboru energii przez wyłączone i znajdujące się w trybie czuwania urządzenia elektroniczne do zastosowań biurowych i domowych.

OSTRZEŻENIE

Urządzenie nie powinno być używane przez osoby (w tym dzieci) o obniżonej sprawności fizycznej, sensorycznej lub umysłowej oraz osoby z niewystarczającą wiedzą i doświadczeniem, jeśli nie znajdują się one pod nadzorem osoby odpowiedzialnej za ich bezpieczeństwo i nie zostały poinstruowane jak bezpiecznie używać urządzenia.

Obecność osób dorosłych jest wymagana, jeśli urządzenie obsługują dzieci; pozwoli to zapewnić bezpieczne korzystanie z urządzenia.

1. Nie wolno pozostawić pracującego urządzenia bez nadzoru! Należy wyłączać urządzenie, gdy nie jest ono używane, nawet przez krótką chwilę.
2. Urządzenia nie wolno obsługiwać za pośrednictwem zewnętrznego zegara z układem czasowym ani za pomocą oddzielnego układu ze zdalnym sterowaniem.
3. Aby uniknąć zagrożenia w przypadku uszkodzenia przewodu zasilania, wymianę powinien wykonać producent, autoryzowany punkt serwisowy lub inna osoba posiadająca odpowiednie kwalifikacje.
4. Przed przystąpieniem do obsługi urządzenia należy sprawdzić, czy jego napięcie odpowiada napięciu występującemu w lokalnej sieci zasilającej.
5. Aby uniknąć pożaru lub porażenia prądem elektrycznym, należy chronić urządzenie przed gorącymi miejscami, działaniem deszczu, wilgoci i pyłu.
6. Nie wolno narażać urządzenia na silne pole magnetyczne.
7. Nie wolno stawiać urządzenia bezpośrednio na wzmacniaczu lub amplitunerze.
8. Nie wolno stawiać urządzenia w wilgotnym miejscu, gdyż wilgoć ma szkodliwy wpływ na podzespoły elektryczne.

9. Po wniesieniu urządzenia z zimnego do ciepłego miejsca lub do wilgotnego miejsca może dojść do kondensacji wilgoci na soczewce wewnątrz odtwarzacza. W takiej sytuacji urządzenie nie będzie działać prawidłowo. Należy pozostawić włączone urządzenie na około jedną godzinę, aby umożliwić odparowanie wilgoci.

10. Nie wolno czyścić urządzenia rozpuszczalnikami chemicznymi, gdyż mogą one zniszczyć lakier obudowy. Urządzenie wyciera się czystą, suchą lub nieznacznie zwilżoną ściereczką.

UWAGA

Deklaracja



Niniejszym Blaupunkt Competence Center

2N-Everpol Sp. z o.o. oświadcza, że to urządzenie jest zgodne z wymogami i innymi odpowiednimi postanowieniami dyrektywy 2014/53 / UE. Pełną deklarację zgodności można uzyskać na stronie www.blaupunkt.com w zakładce produktu.

Podmiot odpowiedzialny: 2N-Everpol Sp. z o.o., Puławska 403A, 02-801 Warszawa, Polska, Telefon: +48 22 688 08 00, e-mail: info@everpol.pl



Produkt został wyprodukowany z wysokiej jakości materiałów i podzespołów, które można poddać recyklingowi i ponownie użyć.



Jeśli na urządzeniu znajduje się znak przekreślonego kosza na śmieci, oznacza to, że produkt jest objęty postanowieniami dyrektywy europejskiej 2012/19/EU. Należy zapoznać się z wymaganiami dotyczącymi lokalnego systemu zbiórki odpadów elektrycznych i elektronicznych. Należy postępować zgodnie z lokalnymi przepisami. Nie wolno wyrzucać tego produktu razem ze zwykłymi odpadami domowymi. Prawidłowe usunięcie starego produktu zapobiegnie potencjalnym negatywnym skutkom dla środowiska naturalnego i zdrowia ludzkiego.



Urządzenie jest wyposażone w baterie objęte dyrektywą europejską 2006/66/EC. Baterii nie wolno wyrzucać razem z odpadami gospodarstwa domowego. Należy zapoznać się z lokalnymi przepisami dotyczącymi oddzielnej zbiórki baterii, ponieważ prawidłowa utylizacja zapobiegnie potencjalnym negatywnym skutkom dla środowiska naturalnego i zdrowia ludzkiego.

Informacje o ochronie środowiska naturalnego

Opakowanie zawiera tylko niezbędne elementy. Dołożono wszelkich starań, aby trzy materiały składowe opakowania były łatwe do oddzielenia: karton (pudełko), pianka polistyrenowa (zabezpieczenia wewnątrz) i polietylen (torebki, arkusz ochronny). Urządzenie wyprodukowano z materiałów, które można poddać recyklingowi i użyć ponownie po ich demontażu przez wyspecjalizowaną firmę. Należy przestrzegać lokalnych przepisów dotyczących utylizacji materiałów opakowaniowych, zużytych baterii i niepotrzebnych urządzeń.

Nagrywanie i odtwarzanie materiałów może wymagać uzyskania zgody. Patrz ustawa o prawach autorskich i prawach wykonawców/artystów.

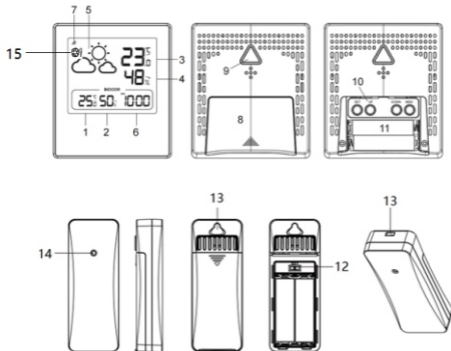
Dziękujemy za zakup naszej stacji pogodowej. Ten model posiada poniższe funkcje.

Funkcje

- Prognoza pogody: słonecznie, częściowe zachmurzenie, zachmurzenie, deszcz, śnieg.
- Wskaźnik punktu zamarzania.
- Temperatura wewnętrzna / zewnętrzna.
- Wilgotność wewnętrzna / zewnętrzna.
- Pamięć minimalnych i maksymalnych wartości pomiarów temperatury i wilgotności wewnętrznej i zewnętrznej.
- 12/24 godzinny tryb zegara.
- Zewnętrzny, bezprzewodowy czujnik temperatury i wilgotności.

Prosimy o uważne przeczytanie i zapoznanie się z niniejszą instrukcją przed uruchomieniem urządzenia. Proszę zachować instrukcję do wykorzystania w przyszłości.

Wyświetlacz i elementy sterujące




- | | |
|---|-------------------------------------|
| 1. Temperatura wewnętrzna / trend | 2. Wilgotność wewnętrzna / trend |
| 3. Temperatura zewnętrzna / trend | 4. Wilgotność zewnętrzna / trend |
| 5. Animowana prognoza pogody | 6. Zegar |
| 7. Wskaźnik odbioru sygnału z czujnika zewnętrznego | |
| 8. Pokrywa komory baterii | 9. Otwór montażowy do zawieszenia |
| 10. Przyciski regulacji: ustawienia (SET)/do góry (UP)/do dołu (DOWN)/pamięć (MEM); | 11. Komora baterii |
| 12. Przełącznik kanałów czujnika zawieszenia | 13. Otwory montażowe do zawieszenia |
| 15. Wskaźnik punktu zamarzania | 14. Kontrolka czujnika |

Instalacja

Otwórz pokrywę komory baterii. Włóż 2 baterie typu AAA do stacji pogodowej, następnie włóż 2 baterie typu AA do czujnika zewnętrznego zgodnie z polaryzacją pokazaną w komorze. (Baterie są w zestawie)

W celu uzyskania najlepszej wydajności produktu zalecamy stosowanie wysokiej jakości baterii alkalicznych. Nie zaleca się stosowania baterii typu „Heavy Duty” lub akumulatorów. Wyświetlacz stacji pogodowej wyłączy się w przypadku rozładowania baterii. (Przybliżony czas pracy na nowej baterii: 6 miesięcy dla stacji pogodowej, 12 miesięcy dla zewnętrznego czujnika bezprzewodowego. Podane czasy pracy są tylko szacunkowe i zależą od wielu czynników, jak rodzaj użytych baterii, producent, warunki pracy itd.)

Odbiór sygnału z zewnętrznego czujnika bezprzewodowego

Po poprawnym zainstalowaniu baterii, stacja pogodowa automatycznie wykrywa i odbiera sygnał z pomiaru temperatury i wilgotności zewnętrznej z zewnętrznego czujnika bezprzewodowego. Wyszukiwanie sygnału zajmie maksymalnie 3 minuty. Podczas wyszukiwania, wskaźnik odbioru sygnału z czujnika bezprzewodowego  będzie migał i ustabilizuje się po pomyślnym odebraniu sygnału. Jeśli stacja nie otrzyma sygnału z czujnika zewnętrznego, wskaźnik odbioru sygnału zniknie po upływie 3 minut a wyświetlacz, zamiast danych temperatury i wilgotności zewnętrznej, pokaże następujący symbol: „- -”. W celu ponownego włączenia wyszukiwania sygnału z czujnika zewnętrznego, naciśnij i przytrzymaj przycisk „do góry” przez 3 sekundy.

Umieszczenie urządzenia oraz inne uwagi:

1. Niniejsza stacja pogodowa obsługuje tylko 1 zewnętrzny czujnik bezprzewodowy. Jeśli czujnik posiada przełącznik kanałów, zawsze ustawiaj go w pozycji kanał „1” (* Czujnik może być kompatybilny z innymi modelami, które obsługują 3 kanały)
2. Prosimy umieścić i używać stację pogodową oraz zewnętrzny czujnik w odległości 1,5~2 metrów od źródeł zakłóceń, takich jak monitory komputerowe lub telewizory. Stację pogodową należy również umieścić z daleka od okien z metalowymi ramami.
3. Nie używaj innych produktów elektronicznych, takich jak słuchawki lub głośniki, działających na tej samej częstotliwości sygnału (433,92 MHz), ponieważ mogą one powodować zakłócenia. Pamiętaj, że jeśli Twój sąsiedzi używają urządzeń elektronicznych działających na tej samej częstotliwości sygnału (433,92 MHz) to również mogą one powodować zakłócenia w poprawnym działaniu.
4. Aby zapewnić dokładny pomiar temperatury wewnętrznej, umieść stację pogodową w suchym miejscu, wolnym od brudu i kurzu. Wybierz miejsce z dala od bezpośredniego działania światła słonecznego i innych źródeł ciepła a także z daleka od otworów wentylacyjnych.
5. Czujnik bezprzewodowy można zainstalować na zewnątrz. Aby uzyskać możliwie najlepszą dokładność pomiaru, umieść czujnik w pozycji pionowej, na wysokości co najmniej 1,5 ~ 2 metrów od ziemi, w miejscu osłoniętym od deszczu i z dobrą cyrkulacją powietrza. Nie należy wystawiać czujnika na bezpośrednie działanie promieni słonecznych przez dłuższy czas.
6. Maksymalna odległość robocza czujnika bezprzewodowego wynosi 80 metrów od stacji pogodowej, bez przeszkód pomiędzy nimi.
7. Sygnał z czujnika bezprzewodowego wysyłany jest do stacji każdorazowo w odstępie 114 sekund.

Ustawianie zegara

Naciśnij i przytrzymaj przycisk ustawienia (SET) przez 3 sekundy a na wyświetlaczu pojawi się migająca informacja: 12/24H, naciśnij przycisk do góry (UP) lub do dołu (DOWN) aby wybrać format czasu – 12 lub 24 godzinny; naciśnij przycisk ustawienia (SET), aby potwierdzić wybór i przejść do ustawienia godzin, naciśnij przycisk do góry (UP) lub do dołu (DOWN), aby ustawić godzinę; naciśnij ponownie przycisk ustawienia (SET), aby potwierdzić wybór i przejść do ustawienia minut – procedura jest taka sama, jak w przypadku ustawienia godziny; ponownie naciśnij przycisk ustawienia (SET), aby potwierdzić wybór i zakończyć ustawianie zegara. (Naciśnij i przytrzymaj przycisk do góry

(UP) lub do dołu (DOWN), aby przyspieszyć regulację).

Temperatura i wilgotność

1. Zakres pomiaru temperatury wewnętrznej: $-10 \sim +50 \text{ }^{\circ}\text{C}$ / $14 \sim 122 \text{ }^{\circ}\text{F}$.

2. Zakres pomiaru temperatury zewnętrznej: $-30 \sim +60 \text{ }^{\circ}\text{C}$ / $-22 \sim 140 \text{ }^{\circ}\text{F}$.

Uwaga: LL.L $^{\circ}\text{C}$ lub HH.H $^{\circ}\text{C}$ pojawi się na wyświetlaczu, gdy wartość zmierzonej temperatury znajdzie się poza powyższym zakresem

3. Zakres pomiaru wilgotności wewnętrznej i zewnętrznej: 1%~99%

Uwaga: LL% lub HH% pojawi się na wyświetlaczu, gdy wartość zmierzonej wilgotności znajdzie się poza powyższym zakresem

4. Dokładność pomiaru temperatury: $\pm 1,0^{\circ}\text{C}$ w zakresie od 0°C do $+50^{\circ}\text{C}$ / $32^{\circ}\text{F} \sim 104^{\circ}\text{F}$. $\pm 1,5^{\circ}\text{C}$ poza powyższym zakresem.

5. Dokładność pomiaru wilgotności: $\pm 5 \%$ (w zakresie od 40 do 70%), $\pm 8\%$ poza zakresem

6. Naciśnij przycisk pamięć (MEM), aby sprawdzić maksymalne i minimalne wartości pomiaru, naciśnij i przytrzymaj przycisk pamięć (MEM), aby ręcznie skasować te dane. (Uwaga: Maksymalne i minimalne wartości pomiaru zostaną automatycznie skasowane o godzinie 00:00 każdego dnia).

7. Naciśnij przycisk do dołu (DOWN), aby zmienić jednostkę temperatury: ze $^{\circ}\text{C}$ (stopnie celsjusza) na $^{\circ}\text{F}$ (stopnie fahrenheit).

Trend temperatury

Strzałka w pobliżu danych temperatury informuje o trendzie temperatury. Jej kierunek zmienia się w zależności od tego, czy ostatni odczyt temperatury jest wyższy, czy niższy, niż poprzednie odczyty.

Strzałka skierowana w górę = temperatura wzrosła o $1 \text{ }^{\circ}\text{C}$ w ciągu ostatniej godziny.

Brak strzałki = temperatura zmieniła się o mniej niż $1 \text{ }^{\circ}\text{C}$ w ciągu ostatniej godziny.

Strzałka skierowana w dół = temperatura spadła o $1 \text{ }^{\circ}\text{C}$ w ciągu ostatniej godziny.

Trend wilgotności

Strzałka w pobliżu danych wilgotności informuje o trendzie wilgotności. Jej kierunek zmienia się w zależności od tego, czy ostatni odczyt wilgotności jest wyższy, czy niższy, niż poprzednie odczyty.

Strzałka skierowana w górę = wilgotność wzrosła o 5% w ciągu ostatniej godziny.

Brak strzałki = wilgotność nie zmieniła się w ciągu ostatniej godziny.

Strzałka skierowana w dół = wilgotność spadła o 5% w ciągu ostatniej godziny.

Animowana prognoza pogody

Prognoza pogody jest oparta na zebranych godzinowych danych temperatury i wilgotności z czujnika zewnętrznego. Stacja prognozuje warunki pogodowe na najbliższe 12 godzin z dokładnością 70-75%.

Domyślna ikona prognozy pogody jest ustawiona jako „częściowe zachmurzenie”, stacja pogodowa automatycznie skalibruje prognozę pogody w ciągu pierwszych 1-2 tygodni działania na podstawie danych temperatury i wilgotności z czujnika zewnętrznego.

Czujnik bezprzewodowy należy umieścić na zewnątrz, aby uzyskać dokładne dane temperatury i wilgotności, w przeciwnym razie wpłynie to na dokładność prognozy pogody.

Prognoza pogody pojawi się w jednej z następujących kombinacji:



SŁONECZNIE



CZĘŚCIOWE ZACHMURZENIE



ZACHMURZENIE



DESZCZ



ŚNIEG

Należy pamiętać, że urządzenie prognozuje pogodę w oparciu o ograniczone parametry i może się ona różnić od oficjalnych prognoz pogody, które są obliczane na podstawie zaawansowanych algorytmów.

Wskaźnik punktu zamarzania

Gdy temperatura na zewnątrz spadnie poniżej 3°C/34°F, na wyświetlaczu pojawi się niniejszy symbol ❄️ i stacja wyemituje sygnał ostrzegawczy.

Rozwiązywanie problemów

Rozwiązywanie problemów

Brak informacji na wyświetlaczu	<ul style="list-style-type: none"> ✧ Sprawdź, czy baterie są prawidłowo zainstalowane w urządzeniu.
Temperatura z czujnika zewnętrznego nie jest wyświetlana.	<ul style="list-style-type: none"> ✧ Sprawdź, czy odległość między stacją a czujnikiem nie przekracza 30 m (zalecane) ✧ Upewnij się, że stacja i czujnik znajdują się w odległości co najmniej 2 m od monitorów i telewizorów. ✧ Unikaj umieszczania urządzeń na lub w pobliżu ram okiennych wykonanych z metalu. ✧ Unikaj używania stacji w pobliżu urządzeń elektronicznych, takich jak głośniki, które działają na tej samej częstotliwości (433 MHz). ✧ Wyjmij baterie, odczekaj chwilę, a następnie włóż je ponownie.
Wyświetlana temperatura jest nieprawidłowa.	<ul style="list-style-type: none"> ✧ Wyjmij baterie, odczekaj chwilę, a następnie włóż je ponownie. ✧ Upewnij się, że na stację lub czujnik nie mają wpływu źródła ciepła, klimatyzatory itp. Lub czujnik znajduje się w miejscu narażonym na bezpośrednie działanie promieni słonecznych.

Specyfikacja:

Wyświetlanie temperatury wewnętrznej/zewnętrznej

Wyświetlanie wilgotności wewnętrznej/zewnętrznej

Wskazanie trendu temperatury/wilgotności

Prognoza pogody na następne 12-24 godziny

Wskaźnik punktu zamarzania

Zegar (format 12/24-godzinny)

Bezprzewodowy czujnik zewnętrzny (1 szt. w zestawie)

Wyświetlacz LCD

Źródło zasilania jednostki głównej: baterie 2 x 1,5 V (rozmiar AAA, w zestawie)

Źródło zasilania zewnętrznego czujnika bezprzewodowego: baterie 2 x 1,5 V (rozmiar AA, w zestawie)

Częstotliwość pracy czujnika bezprzewodowego: 433,92 MHz

Pobór mocy: 18 mW (jednostka główna), 24 mW (nadajnik bezprzewodowy)

Wieszak ścienny / Stojak na stół

Wymiary urządzenia: 81 x 26 x 93 mm

Wymiary wyświetlacza LCD: 53 x 62 mm

Waga netto urządzenia: 0,073 kg

Wymiary czujnika: 38 x 19 x 100 mm

Waga netto czujnika: 0,032 kg

Důležité informace

- Uchovejte tento návod a bezpečnostní informace pro jejich použití v budoucnu.
- Nedovolte, aby na přístroj kapala nebo se lila tekutina.
- Nepoužívejte ve vlhkých místech, jako např. koupelny.
- Neumísťujte tento přístroj na následujících místech:
- Vystavených přímému slunečnímu záření nebo blízko radiátorů.
- Na jiná stereofonní zařízení, která generují teplo.
- Blokovat větrání nebo umísťovat v prašném prostředí.
- V prostorech vystavených otřesům.
- V prostorech s vysokou vlhkostí.
- Neumísťujte zařízení v blízkosti otevřeného ohně nebo svíčky.
- Zařízení lze použít pouze tak, jak je popsáno v tomto návodu.
- Před prvním zapnutím se ujistěte, že napájení bylo řádně připojeno.

Z bezpečnostních důvodů neodstraňujte kryty a nesnažte se dostat dovnitř zařízení. Přístroj by měl být opravován pouze kvalifikovaným servisním personálem. Nerozebírejte zařízení ani neotevírejte kryt, protože uvnitř nejsou žádné díly, které mohou být opraveny vlastními silami. Údržbou a opravami zařízení se zabývá výhradně kvalifikovaný servisní personál.

BEZPEČNOSTNÍ POKYNY

1. Přečtěte si pokyny - před použitím zařízení si přečtěte celý návod a bezpečnostní informace.
2. Tyto pokyny uschovejte - uschovejte návod k použití pro použití v budoucnu.
3. Dodržujte varování - dodržujte veškerá varování umístěná na zařízení a v souladu s pokyny.
4. Dodržujte pokyny - postupujte podle pokynů a návodu pro uživatele.
5. Instalace - nastavte zařízení podle pokynů výrobce.
6. Napájecí zdroje - tento produkt by měl být napájen pouze ze zdrojů uvedených na označení na napájecím kabelu. Pokud si nejste jisti, jaký typ napájení máte doma, měli byste se obrátit na svého prodejce nebo místního dodavatele elektrické energie.
7. Voda a vlhkost - aby se snížilo riziko poruchy nebo úrazu elektrickým proudem, nevystavujte přístroj působení deště, vody a vlhkosti, jako například v sauně, nebo v koupelně. Nepoužívejte toto zařízení v blízkosti vody, například u vany, umyvadla, kuchyňského dřezu nebo

prádelní vany, ve vlhkém sklepě nebo v blízkosti bazénu (nebo na podobných místech).

8. Objekty a kapaliny v zařízení – Nevkládejte objekty přes otvory, protože mohou přijít do styku s body nebezpečného napětí a komponenty, které mohou způsobit poruchu nebo úraz elektrickým proudem. Tekutiny by za žádných okolností neměly vniknout na povrch přístroje. Nepokládejte žádné předměty obsahující kapaliny na horní část zařízení.

9. Servis - Nepokoušejte se o vlastnoruční prohlídky zařízení. Otevření krytu může způsobit nebezpečné napětí a vystavit uživatele na nebezpečí. Údržbou a opravami zařízení se zabývá výhradně kvalifikovaný servisní personál.

10. Náhradní díly - při výměně dílů, zkontrolujte, zda zaměstnanec servisu použil náhradní díly specifikované výrobcem, nebo díly stejné jako původní. Výměna za neschválené díly hrozí poruchou, úrazem elektrickým proudem nebo jiným nebezpečím.

11. Maximální okolní teplota zařízení je 35 °C

12. Pokyny týkající se elektrostatických výbojů - v případě, že činnost zařízení je narušena elektrostatickými výboji, vypněte jej a opětovně zapnete nebo přemístíte přístroj do jiného místa.

13. Bateria

a. Baterie nie mogą być narażone na działanie nadmiernego ciepła, jak np. promieni słonecznych, ognia itp.

b. Podczas użycia baterii należy zwrócić uwagę na aspekty ochrony środowiska.

c. Przestroga dotycząca używania baterii: aby nie dopuścić do rozszczelnienia baterii, które może spowodować obrażenia ciała bądź uszkodzenie urządzenia:

- Podczas wkładania baterii zwrócić uwagę na jej polaryzację (+ i -).
- Nie wolno jednocześnie używać różnych baterii — starych i nowych baterii standardowych i alkalicznych itd.
- Należy wyjąć baterie z urządzenia, gdy nie będzie ono używane przez dłuższy czas.

Poznámka o ERP2 (zařízení související se spotřebou energie)

Toto zařízení s ekodesignem je v souladu s požadavky části 2 nařízení Komise (ES) 1275/2008 ke směrnici 2009/125/ES o spotřebě energie kterým se provádí směrnice Evropského parlamentu a Rady 2005/32/ES, pokud jde o požadavky na ekodesign z hlediska spotřeby elektrické energie elektrických a elektronických zařízení určených pro domácnosti a kanceláře v pohotovostním režimu a ve vypnutém stavu.

VAROVÁNÍ

Přístroj by neměl být používán osobami (včetně dětí) s fyzickým, smyslovým nebo mentálním postižením a osobami s nedostatečnými znalostmi a zkušenostmi, pokud nejsou pod dohledem osoby odpovědné za jejich bezpečnost a nebyly poučeny, jak bezpečně používat zařízení. Přítomnost dospělých je nutná v případě, že zařízení obsluhují děti; to umožní zajištění bezpečného provozu zařízení.

1. Nikdy nenechávejte zařízení běžet bez dozoru! Vypněte zařízení, pokud jej nepoužíváte, a to i na krátkou dobu.
2. Neprovozujte přístroj přes externí časovač nebo samostatný systém dálkového ovládní.
3. Aby se zabránilo nebezpečí, v případě poškození napájecího kabelu výměnu by měl dělat výrobce, autorizovaný poskytovatel služeb nebo jiná osoba, mající příslušné kvalifikace.
4. Před použitím zařízení zkontrolujte, zda napětí odpovídá napětí vyskytujícímu se v místní síti.
5. Aby nedošlo k poruše nebo k úrazu elektrickým proudem, nevystavujte zařízení na horka místa, na dešť, vlhkost a prach.
6. Nevystavujte silnému magnetickému poli.
7. Nepokládejte zařízení přímo na zesilovači nebo přijímači.
8. Nepokládejte přístroj na vlhka místa, protože vlhkost poškozuje elektrické součásti.
9. Přenos zařízení z chladného do teplého prostředí nebo do vlhkého prostoru může vést ke kondenzaci vlhkosti na čočce uvnitř přehrávače. V takové situaci, přístroj nebude pracovat správně. Nechte součástí v přístroji po dobu jedné hodiny pro odpařování vlhkosti.
10. Nečistěte zařízení chemickými rozpouštědly, protože mohou zničit lak skříně. Přístroj se čistí čistým, suchým nebo mírně vlhkým hadříkem.

POZOR

Prohlášení o shodě



Blaupunkt Competence Center 2N-Everpol Sp. z o.o. tímto prohlašuje, že je toto zařízení v souladu se základními požadavky a dalšími příslušnými ustanoveními směrnice 2014/53 / EU. Prohlášení o shodě lze získat ze stránky produktu na www.blaupunkt.com.

Odpovědná strana: 2N-Everpol Sp. z o.o, Puławska 403A, 02-801 Varšava, Polsko, Tel: +48 22 688 08 00, E-mail: info@everpol.pl



Naše produkty jsou navrženy a vyrobeny z vysoce kvalitních materiálů a komponent, které jsou recyklovatelné a znovu použitelné.



Je-li tento symbol přeškrtnutého kontejneru uveden na výrobku, znamená to, že výrobek podléhá směrnici 2012/19/EU. Informujte se prosím o místní systém sběru tříděného odpadu pro elektrické a elektronické výrobky. Prosím řiďte se místními pravidly a nelikvidujte staré produkty spolu s běžným komunálním odpadem. Správnou likvidací starého výrobku pomůžete předejít možným negativním dopadům na životní prostředí a lidské zdraví.



Výrobek obsahuje baterie podléhající směrnici 2006/66/EC, které nelze vyhazovat do běžného domovního odpadu. Informujte se prosím o místních pravidlech o sběru baterií, neboť správnou likvidací pomůžete předcházet negativním důsledkům pro ČESKÝ životní prostředí a lidské zdraví.

Informace týkající se životního prostředí

Výrobek je zabalen pouze v nezbytném obalu pro jeho ochranu. Snahou naší firmy je, aby byl obalový materiál snadno rozdělitelný na tři materiály: lepenku (krabice), polystyrén (ochranné balení) a polyetylen (sáčky, ochranné fólie z lehčeného plastu). Výrobek se skládá z materiálů, které lze recyklovat a znovu použít v případě demontáže odbornou firmou. Dodržujte prosím místní předpisy týkající se likvidace obalových materiálů, vybitých baterií a starého zařízení. Na nahrávání a přehrávání materiálů může být vyžadován souhlas. Viz Zákon o Copyrightu Act 1956 a Zákon na ochranu umělců Sk 1958-1972.

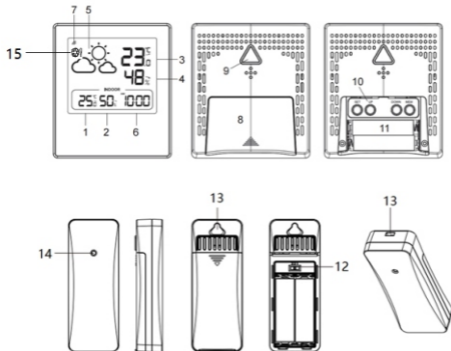
Děkujeme, že jste si zakoupili naši meteorologickou stanici. Tento model má následující funkce.

Funkce

- Předpověď počasí: slunečno, polojasno, oblačno, déšť, sníh.
- Indikátor bodu mrazu.
- Vnitřní/venkovní teplota.
- Vnitřní/venkovní vlhkost.
- Paměť minimálních a maximálních hodnot měření vnitřní a venkovní teploty a vlhkosti.
- 12/24 hodinový režim hodin.
- Venkovní, bezdrátový senzor teploty a vlhkosti.

Před použitím zařízení si prosím pečlivě přečtete a pochopíte tento návod. Uschovejte si prosím návod pro budoucí použití.

Displej a ovládací prvky




- | | |
|---|--------------------------------|
| 1. Vnitřní teplota/trend | 2. Vnitřní vlhkost/trend |
| 3. Venkovní teplota/trend | 4. Venkovní vlhkost/trend |
| 5. Animovaná předpověď počasí | 6. Hodiny |
| 7. Indikátor příjmu signálu z venkovního senzoru | 9. Montážní otvor pro zavěšení |
| 8. Kryt prostoru pro baterie | 12. Přepínač kanálu senzoru |
| 10. Tlačítka regulace: nastavení (SET)/nahoru (UP)/dolů (DOWN)/paměť (MEM); | 14. Kontrolka senzoru |
| 11. Prostor pro baterie | |
| 13. Montážní otvory pro zavěšení | |
| 15. Indikátor bodu mrazu | |

Instalace

Otevřete kryt prostoru pro baterie. Vložte 2 baterie typu AAA do meteostanice a následně vložte 2 baterie typu AA do venkovního senzoru podle polarity vyznačené v přihrádce. (Baterie jsou součástí dodávky)

Pro nejlepší výkon produktu doporučujeme používat vysoce kvalitní alkalické baterie. Nedoporučuje se používat baterie typu „Heavy Duty“ nebo dobíjecí baterie. V případě vybití baterie se displej meteostanice vypne. (Přibližný čas provozu s novou baterií: 6 měsíců pro meteostanici, 12 měsíců pro venkovní bezdrátový senzor. Časy provozu jsou pouze orientační a budou záviset na mnoha faktorech, jako je typ použitých baterií, výrobce, provozní podmínky atd.)

Příjem signálu z venkovního bezdrátového senzoru

Po správné instalaci baterie meteostanice automaticky detekuje a přijímá signál venkovní teploty a vlhkosti z venkovního bezdrátového senzoru. Vyhledávání signálu bude trvat maximálně 3 minuty. Během vyhledávání indikátor příjmu signálu z bezdrátového senzoru  bude blikat a stabilizuje se, jakmile je signál úspěšně přijat. Pokud stanice neobdrží signál z venkovního senzoru, indikátor příjmu signálu po 3 minutách zmizí a na displeji se místo údajů o venkovní teplotě a vlhkosti zobrazí následující symbol: „- -“. Chcete-li znovu aktivovat vyhledávání signálu z venkovního senzoru, stiskněte a podržte tlačítko „nahoru“ po dobu 3 sekund.

Umístění zařízení a další poznámky:

1. Tato meteostanice podporuje pouze 1 bezdrátový venkovní senzor. Pokud má senzor kanálový přepínač, vždy jej nastavte na kanál „1“ (* Senzor může být kompatibilní s jinými modely, které podporují 3 kanály)

- Umístěte a používejte meteorologickou stanici a venkovní senzor do vzdálenosti 1,5 ~ 2 metry od zdrojů rušení, jako jsou počítačové monitory nebo televizory. Meteorologická stanice by také měla být umístěna mimo okna s kovovými rámy.
- Nepoužívejte jiné elektronické produkty, jako jsou sluchátka nebo reproduktory, které pracují na stejné frekvenci signálu (433,92 MHz), jelikož mohou způsobovat rušení. Pamatujte, že pokud Vaši sousedé používají elektronická zařízení pracující na stejné frekvenci signálu (433,92 MHz), mohou také rušit správnou funkci.
- Pro přesné měření vnitřní teploty umístěte meteostanici na suché místo, bez nečistot a prachu. Vyberte místo mimo přímé sluneční světlo a jiné zdroje tepla, jak rovněž mimo ventilační otvory.
- Bezdrátový senzor lze instalovat venku. Pro nejlepší možnou přesnost měření umístěte senzor ve svislé poloze alespoň 1,5 ~ 2 metry od země, na místě chráněném před deštěm, s dobrou cirkulací vzduchu. Nevystavujte senzor delší dobu přímému slunečnímu záření.
- Maximální pracovní vzdálenost bezdrátového senzoru je 80 metrů od meteostanice, bez jakýchkoli překážek mezi nimi.
- Signál z bezdrátového senzoru je vysílán do stanice každých 114 sekund.

Nastavení hodin

Stiskněte a podržte tlačítko nastavení (SET) po dobu 3 sekund a na displeji se zobrazí blikající informace: 12/24H, stiskněte tlačítko nahoru (UP) nebo dolů (DOWN) pro výběr 12 nebo 24 hodinového formátu času; stiskněte tlačítko nastavení (SET) pro potvrzení výběru a přechod do nastavení hodin, stiskněte tlačítko nahoru (UP) nebo dolů (DOWN) pro nastavení hodiny; opět stiskněte tlačítko nastavení (SET) pro potvrzení volby a přechod na nastavení minut - postup je stejný jako v případě nastavení hodin; opětovným stisknutím tlačítka nastavení (SET) potvrďte výběr a dokončete nastavení hodin. (Stisknutím a podržením tlačítka nahoru (UP) nebo dolů (DOWN) nastavení urychlíte.)

Teplota a vlhkost

1. Rozsah měření vnitřní teploty: -10 ~ +50 °C / 14 ~ 122 °F .

2. Rozsah měření venkovní teploty: -30 ~ +60 °C / -22 ~ 140 °F .

Upozornění: Pokud je naměřená hodnota teploty mimo výše uvedený rozsah, na displeji se objeví LL.L °C nebo HH.H °C

3. Rozsah měření vnitřní a venkovní vlhkosti: 1%-99%

Upozornění: Pokud je naměřená vlhkost mimo výše uvedený rozsah, na displeji se objeví LL% nebo HH%.

4. Přesnost měření teploty: $\pm 1,0^{\circ}\text{C}$ v rozsahu od 0°C do $+50^{\circ}\text{C}$ / 32°F ~ 104°F .
 $\pm 1,5^{\circ}\text{C}$ mimo výše uvedený rozsah.
5. Přesnost měření vlhkosti: $\pm 5\%$ (v rozsahu od 40 do 70%), $\pm 8\%$ mimo rozsah
6. Stisknutím tlačítka paměti (MEM) zkontrolujete maximální a minimální naměřené hodnoty, stisknutím a podržením tlačítka paměti (MEM) ručně vymažete data. (Upozornění: Maximální a minimální naměřené hodnoty budou automaticky vymazány každý den v 00:00).
7. Stisknutím tlačítka dolů (DOWN) změníte jednotku teploty z $^{\circ}\text{C}$ (stupně Celsia) na $^{\circ}\text{F}$ (stupně Fahrenheita).

Trend teploty

Šipka vedle teplotních údajů informuje o trendu teploty. Její směr se mění v závislosti na tom, zda je poslední naměřená teplota vyšší nebo nižší než předchozí naměřené hodnoty.

Šipka směřující nahoru = teplota za poslední hodinu stoupla o 1°C .

Žádná šipka = teplota se za poslední hodinu změnila o méně než 1°C .

Šipka směřující dolů = teplota za poslední hodinu klesla o 1°C .

Trend vlhkosti

Šipka vedle údajů o vlhkosti informuje o trendu vlhkosti. Její směr se mění v závislosti na tom, zda je poslední naměřená vlhkost vyšší nebo nižší než předchozí naměřené hodnoty.

Šipka směřující nahoru = vlhkost za poslední hodinu stoupla o 5%

Žádná šipka = vlhkost se za poslední hodinu nezměnila.

Šipka směřující dolů = vlhkost za poslední hodinu klesla o 5%

Animovaná předpověď počasí

Předpověď počasí je založena na shromážděných hodinových údajích o teplotě a vlhkosti z venkovního senzoru. Stanice předpovídá počasí na následujících 12 hodin s přesností 70-75%. Výchozí ikona předpovědi počasí je nastavena na „částečně oblačno“, meteostanice automaticky zkalkuluje předpověď počasí v prvních 1-2 týdnech provozu na základě údajů o teplotě a vlhkosti z venkovního senzoru.

Bezdrátový senzor by měl být umístěn venku, aby získal přesné údaje o teplotě a vlhkosti, v opačném případě to ovlivní přesnost předpovědi počasí.

Předpověď počasí se zobrazí v jedné z následujících kombinací:



SLUNEČNO



POLOJASNO



OBLAČNO



DĚŠŤ




SNÍH

Vezměte prosím na vědomí, že zařízení předpovídá počasí na základě omezených parametrů a může se lišit od oficiálních předpovědí počasí, které jsou vypočítávány pomocí pokročilých algoritmů.

Indikátor bodu mrazu

Pokud je venkovní teplota nižší než 3 °C/34 °F, zobrazí se na displeji

tento symbol  a stanice vydá varovný signál.

Řešení problémů

Žádné informace na displeji	<ul style="list-style-type: none"> ✧ Zkontrolujte, zda jsou baterie v zařízení správně nainstalovány.
Teplota z venkovního senzoru se nezobrazuje.	<ul style="list-style-type: none"> ✧ Zkontrolujte, zda vzdálenost mezi stanicí a senzorem nepřesahuje 30 m (doporučeno) ✧ Ujistěte se, že se stanice a senzor nachází alespoň 2 metry od monitorů a televizorů. ✧ Neumísťujte zařízení na kovové rámy oken nebo v jejich blízkosti. ✧ Nepoužívejte stanici v blízkosti elektronických zařízení, jako jsou reproduktory, které pracují na stejné frekvenci (433 MHz). ✧ Vyjměte baterie, chvíli počkejte a poté je znovu vložte.
Zobrazená teplota je nesprávná.	<ul style="list-style-type: none"> ✧ Vyjměte baterie, chvíli počkejte a poté je znovu vložte. ✧ Ujistěte se, že stanice nebo senzor není ovlivněn zdroji tepla, klimatizací apod. Nebo je senzor umístěn na místě vystaveném přímému působení slunečních paprsků.

Specifikace:

- Zobrazení vnitřní/venkovní teploty
- Zobrazení vnitřní/venkovní vlhkosti
- Indikace trendu teploty/vlhkosti
- Předpověď počasí na příštích 12-24 hodin
- Indikátor bodu mrazu
- Hodiny (formát 12/24)
- Bezdrátový venkovní senzor (1 ks součástí balení)
- LCD displej
- Napájení hlavní jednotky: 2 x 1,5V baterie (velikost AAA, součástí balení)
- Napájení venkovního bezdrátového senzoru: 2 x 1,5V baterie (velikost AA, součástí balení)
- Provozní frekvence bezdrátového senzoru: 433,92 MHz
- Příkon: 18 mW (hlavní jednotka), 24 mW (bezdrátový vysílač)
- Nástěnný věšák/Stolní stojan
- Rozměry zařízení: 81 x 26 x 93 mm
- Rozměry LCD displeje: 53 x 62 mm
- Čistá hmotnost zařízení: 0,073 kg
- Rozměry senzoru: 38 x 19 x 100 mm
- Čistá hmotnost senzoru: 0,032 kg

Dôležité informácie

- Uschovajte tento návod a bezpečnostné informácie pre ich použitie v budúcnosti.
- Nedovoľte, aby na prístroj kvapkala alebo sa lila tekutina.
- Nepoužívajte vo vlhkých miestach, ako napr kúpeľne.
- Neumiestňujte tento prístroj na nasledujúcich miestach:
- Vystavených priamemu slnečnému žiareniu alebo blízko radiátorov.
- Na iné stereofónne zariadenie, ktoré generujú teplo.
- Blokovať vetranie alebo umiestňovať v prašnom prostredí.
- V priestoroch vystavených otrasom.
- V priestoroch s vysokou vlhkosťou.
- Neumiestňujte zariadenie v blízkosti otvoreného ohňa alebo sviečky.
- Zariadenie je možné použiť iba tak, ako je popísané v tomto návode.
- Pred prvým zapnutím sa uistite, že napájanie bolo správne pripojené.

Z bezpečnostných dôvodov neodstraňujte kryty a nesnažte sa dostať dovnútra zariadenia. Prístroj by mal byť opravovaný iba kvalifikovaným servisným personálom. Nerozoberajte zariadenie ani neotvárajte kryt, pretože vo vnútri nie sú žiadne diely, ktoré môžu byť opravené vlastnými silami. Údržbou a opravami zariadení sa zaoberá výhradne kvalifikovaný servisný personál.

BEZPEČNOSTNÉ POKYNY

1. Prečítajte si pokyny - pred použitím zariadenia si prečítajte celý návod a bezpečnostné informácie.
2. Tieto pokyny uschovajte - uschovajte návod na použitie pre použitie v budúcnosti.
3. Dodržiavajte varovanie - dodržujte všetky varovania umiestnené na zariadení a v súlade s pokynmi.
4. Dodržiavajte pokyny - postupujte podľa pokynov a návodu pre užívateľa.
5. Inštalácia - nastavte zariadenie podľa pokynov výrobcu.
6. Napájacie zdroje - tento produkt by mal byť napájaný iba zo zdrojov uvedených na označenie na napájacom kábli. Ak si nie ste istí, aký typ napájania máte doma, mali by ste sa obrátiť na svojho predajcu alebo miestneho dodávateľa elektrickej energie.
7. Voda a vlhkosť - aby sa znížilo riziko poruchy alebo úrazu

elektrickým prúdom, nevystavujte prístroj pôsobeniu dažďa, vody a vlhkosti, ako napríklad v saune, alebo v kúpeľni. Nepoužívajte toto zariadenie v blízkosti vody, napríklad pri vani, umývadle, kuchynského drezu alebo vane, vo vlhkej pivnici alebo v blízkosti bazéna (alebo na podobných miestach).

8. Objekty a kvapaliny v zariadení - Nevkladajte objekty cez otvory, pretože môžu prísť do styku s bodmi nebezpečného napätia a komponenty, ktoré môžu spôsobiť poruchu alebo úraz elektrickým prúdom. Tekutiny by za žiadnych okolností nemali vniknúť na povrch prístroja. Nekladte žiadne predmety obsahujúce kvapaliny na hornú časť zariadenia.

9. Servis - Nepokúšajte sa o vlastnoručný prehliadky zariadení. Otvorenie krytu môže spôsobiť nebezpečné napätie a vystaviť užívateľa na nebezpečenstvo. Údržbou a opravami zariadení sa zaoberá výhradne kvalifikovaný servisný personál.

10. Náhradné diely - pri výmene dielov, skontrolujte, či zamestnanec servisu použil náhradné diely špecifikované výrobcom, alebo diely rovnaké ako pôvodné. Výmena za neschválenie diely hrozi poruchou, úrazom elektrickým prúdom alebo iným nebezpečenstvom.

11. Maximálna okolitá teplota zariadenia je 35 °C.

12. Pokyny týkajúce sa elektrostatických výbojov - v prípade, že činnosť zariadenia je narušená elektrostatickými výbojmi, vypnite ho a opätovne zapnete alebo premiestnite prístroj do iného miesta.

13. Batérie

A. Batérie nesmú byť vystavené nadmernému teplu, ako je slnečné žiarenie, oheň atď

B. Pri likvidácii batérie, venujte pozornosť environmentálnym aspektom.

C. Upozornenia týkajúce sa používania batérií: aby sa zabránilo úniku batérie, čo môže mať za následok zranenie alebo poškodenie zariadenia:

1. Pri vkladaní batérií dbajte na správnu polaritu (+ a -).

2. Nepoužívajte rôzne batérie naraz - staré a nové batérie, štandardné a alkalické atď

3. Vyberte batérie z prístroja, keď nie je používaný po dlhšiu dobu.

Poznámka o ERP2 (zariadenia súvisiace so spotrebou energie)

Toto zariadenie s ekodizajnom je v súlade s požiadavkami časti 2 nariadenia Komisie (ES) 1275/2008 k smernici 2009/125/ES o spotrebe energie ktorým sa vykonáva smernica Európskeho parlamentu a Rady

2005/32/ES, pokiaľ ide o požiadavky na ekodizajn z hľadiska spotreby elektrickej energie elektrických a elektronických zariadení v domácnosti a kancelárie v pohotovostnom režime a vo vypnutom stave.

VAROVANIE

Prístroj by nemal byť používaný osobami (vrátane detí) s fyzickým, zmyslovým alebo mentálnym postihnutím a osobami s nedostatočnými znalosťami a skúsenosťami, pokiaľ nie sú pod dohľadom osoby zodpovednej za ich bezpečnosť a neboli poučení, ako bezpečne používať zariadenie. Prítomnosť dospelých je nutná v prípade, že zariadenie obsluhujú deti; to umožní zabezpečenie bezpečnej prevádzky zariadenia.

1. Nikdy nenechávajte zariadenie bežať bez dozoru! Vypnite zariadenie, ak ho nepoužívate, a to aj na krátku dobu.
2. Nepoužívajte prístroj cez externý časovač alebo samostatný systém diaľkového ovládania.
3. Aby sa zabránilo nebezpečenstvu, v prípade poškodenia napájacieho kábla výmenu by mal robiť výrobca, autorizovaný poskytovateľ služieb alebo iná osoba, majúca príslušné kvalifikácie.
4. Pred použitím zariadenia skontrolujte, či napätie zodpovedá napätiu vyskytujúcemu sa v miestnej sieti.
5. Aby nedošlo k poruche alebo k úrazu elektrickým prúdom, nevystavujte zariadenie na horúčavy miesta, na dážď, vlhkosť a prach.
6. Nevystavujte silnému magnetickému poľu.
7. Nekladte zariadenie priamo na zosilňovači alebo prijímači.
8. Nekladte prístroj na vlhka miesta, pretože vlhkosť poškodzuje elektrické súčasti.
9. Prenos zariadení z chladného do teplého prostredia alebo do vlhkého priestoru môže viesť ku kondenzácii vlhkosti na šošovke vo vnútri prehrávača. V takejto situácii, prístroj nebude pracovať správne. Nechajte súčasťou v prístroji po dobu jednej hodiny pre odparovanie vlhkosti.
10. Nečistite zariadenie chemickými rozpúšťadlami, pretože môžu zničiť lak skříně. Prístroj sa čistí čistým suchým alebo mierne vlhkou handričkou.

POZNÁMKA



Prehlásenie o zhode

Blaupunkt Competence Center 2N-Everpol Sp. z o.o. týmto prehlasuje, že je toto zariadenie v súlade so základnými požiadavkami a ďalšími príslušnými ustanoveniami smernice 2014/53 / EU. Prehlásenie o zhode

je možné získať zo stránky produktu na www.blaupunkt.com.
Zodpovedná strana: 2N-Everpol Sp. z o.o, Puławska 403A, 02-801
Varšava, Poľsko,
Tel: +48 22 688 08 00, E-mail: info@everpol.pl



Naše produkty sú navrhnuté a vyrobené z vysoko kvalitných materiálov a komponentov, ktoré sú recyklovateľné a znovu použiteľné.



Ak je na výrobku uvedený symbol preškrtnutého kontajneru, znamená to, že výrobok podlieha smernici 2012/19/EU. Informujte sa prosím o miestnom systéme separovaného zberu pre elektrické a elektronické výrobky. Prosím riadte sa miestnymi pravidlami a nelikvidujte staré produkty spolu s bežným komunálnym odpadom. Správnu likvidáciu pomôžete znížiť negatívne následky na životné prostredie a ľudské zdravie.



Výrobok obsahuje batérie, ktoré smernicu 2006/66 / EC nemožno vyhadzovať do bežného domového odpadu. Informujte sa prosím o miestnych pravidlách separovaného zberu batérií, pretože správnu likvidáciu pomôžete predchádzať negatívnym dôsledkom pre životné prostredie a ľudské zdravie.

INFORMÁCIE TÝKAJÚCE SA ŽIVOTNÉHO PROSTREDIA

Výrobok je zabalený len v nevyhnutnom obale pre jeho ochranu. Snahou našej firmy je, aby bol obalový materiál ľahko rozdeliteľný na tri materiály: kartón (krabica), polystyrénová pena (vypodloženie) a polyetylén (vrecká, ochranná penová pokrývka). Výrobok sa skladá z materiálov, ktoré je možné recyklovať a znovu použiť v prípade demontáže odbornou firmou. Dodržujte prosím miestne predpisy týkajúce sa likvidácie obalových materiálov, vybitých batérií a starého zariadenia.

Na nahrávanie a prehrávanie materiálov môže byť vyžadovaný súhlas.
Pozri Zákon o copyrightu Act 1956 a Zákon na ochranu umelcov Sk
1958-1972.

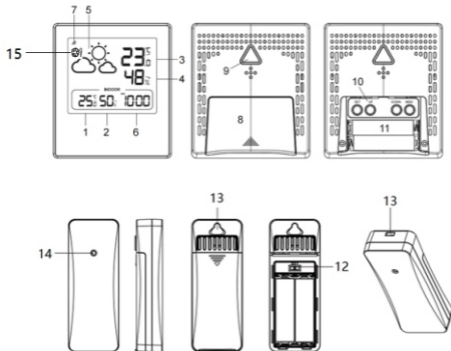
Ďakujeme, že ste si kúpili našu meteostanicu. Tento model má nasledujúce funkcie.

Funkcie

- Predpoveď počasia: slnečno, polooblačno, oblačno, dážď, sneh.
- Ukazovateľ bodu mrazu.
- Vnútorňá / vonkajšia teplota.
- Vnútorňá / vonkajšia vlhkosť.
- Pamäť najnižších a najvyšších nameraných hodnôt vnútornej a vonkajšej teploty a vlhkosti.
- 12/24 formát času.
- Externý bezdrôtový snímač teploty a vlhkosti.

Pozorne sa oboznámte s touto používateľskou príručkou a dôkladne sa oboznámte s jej obsahom ešte pred spustením zariadenia. Príručku uchovajte pre prípadnú potrebu v budúcnosti.

Displej a ovládacie prvky




- | | |
|--|--------------------------------|
| 1. Vnútoraná teplota / trend | 2. Vnútoraná vlhkosť / trend |
| 3. Vonkajšia teplota / trend | 4. Vonkajšia vlhkosť / trend |
| 5. Animovaná predpoveď počasia | 6. Hodiny |
| 7. Ukazovateľ príjmu signálu externého snímača | |
| 8. Veko priehradky batérií | 9. Montážny otvor na zavesenie |
| 10. Tlačidlá nastavenia: nastavenia (SET)/hore (UP)/dole (DOWN)/pamäť (MEM); | |
| 11. Priečink batérií | 12. Prepínač kanála snímača |
| 13. Montážne otvory na zavesenie | 14. Kontrolka snímača |
| 15. Ukazovateľ bodu mrazu | |

Montáž

Otvorte veko priehradky batérií. Vložte do meteostanice 2 batérie typu AAA, a potom do externého snímača vložte 2 batérie typu AA, pričom zachovajte polaritu zobrazenú v priehradke. (Batérie sú v súprave) Aby ste dosiahli čo najlepší výkon výrobku, odporúčame, aby ste používali vysokokvalitné alkalické batérie. Neodporúčame, aby ste používali batérie typu „Heavy Duty“ alebo akumulátory (nabíjateľné batérie). Displej meteostanice sa v prípade vybitia batérií vypne. (Približná výdrž nových batérií: 6 mesiacov pre meteostanicu, 12 mesiacov pre externý bezdrôtový snímač. Dané výdrže sú len orientačné, a závisia od mnohých faktorov, ako je typ použitých batérií, výrobca, podmienky ap.).

Príjem signálu z externého bezdrôtového snímača

Keď sú batérie správne vložené, meteostanica automaticky deteguje a prijíma signál o nameranej vonkajšej teplote a vlhkosti z externého bezdrôtového snímača. Vyhľadávanie signálu trvá navyše 3 minúty. Počas vyhľadávania ukazovateľ príjmu signálu bezdrôtového snímača  bude blikať, a začne svietiť, keď úspešne začne prijímať signál. Ak stanica neprijme signál z externého snímača, ukazovateľ príjmu signálu prestane po 3 minútach blikať/svietiť, a na displeji sa namiesto údajov o vonkajšej teplote a vlhkosti zobrazí nasledujúci symbol: „-“. Keď chcete znova spustiť vyhľadávanie signálu z externého snímača, stlačte a na 3 sekundy podržte tlačidlo „hore“.

Umiestnenie zariadenia a iné poznámky:

1. Táto meteostanica podporuje iba 1 externý bezdrôtový snímač. Ak má snímač prepínač kanálov, vždy ho nastavte na polohu kanál „1“ (* Snímač môže byť kompatibilný s inými modelmi, ktoré podporujú 3 kanály)

2. Umiestnite a používajte meteostanicu a externý snímač vo vzdialenosti do 1,5 až 2 metre od zdrojov rušenia, ako sú počítačové monitory alebo televízory. Meteostanicu neumiestňujte ani v blízkosti okien s kovovými ráhami.
3. Nepoužívajte iné elektronické výrobky, ako sú slúchadlá alebo reproduktory, ktoré pracujú na rovnakej rádiovkej frekvencii (433,92 MHz), pretože môžu vytvárať rušenia. Upozorňujeme, že ak vaši susedia používajú elektronické zariadenia pracujúce na rovnakej rádiovkej frekvencii (433,92 MHz), môžu tiež spôsobovať rušenia.
4. Aby ste zabezpečili presné meranie vnútornej teploty, umiestnite meteostanicu na suché miesto bez nečistôt a prachu. Vyberte miesto chránené pred priamym slnečným žiarením, ako aj pred inými zdrojmi tepla, ako aj v bezpečnej vzdialenosti od rôznych vetracích otvorov.
5. Bezdrôtový snímač môžete umiestniť vonku. Aby boli merania čo najpresnejšie, umiestnite snímač v zvislej polohe, vo výške 1,5 ~ 2 metre od zeme, na mieste chránenom pred zrážkami a s dobrou cirkuláciou vzduchu. Snímač chráňte pred dlhodobým priamym slnečným žiarením.
6. Maximálny pracovný dosah bezdrôtového snímača je 80 metrov od meteostanice, bez prekážok medzi nimi.
7. Bezdrôtový snímač vysiela signál stanici každých 114 sekúnd.

Nastavenie času

Stlačte a na 3 sekundy podržte tlačidlo nastavení (SET), na displeji začne blikať informácia: 12/24H, stlačte tlačidlo hore (UP) alebo dole (DOWN), vyberte 12 alebo 24 hodinový formát času; stlačte tlačidlo nastavení (SET), potvrdte nastavenie, a prejdite na nastavenie hodín, stlačte tlačidlo hore (UP) alebo dole (DOWN), nastavte hodiny; opäť stlačte tlačidla nastavení (SET), potvrdte výber a prejdite na nastavenia minút – postupujte rovnako ako pri nastavovaní hodín; opäť stlačte tlačidlo nastavení (SET), potvrdte výber a ukončite nastavovanie času. (Stlačte a podržte tlačidlo hore (UP) alebo dole (DOWN), nastavovaná hodnota sa mení rýchlejšie.)

Teplota a vlhkosť

1. Rozsah merania vnútornej teploty: -10 ~ +50 °C / 14 ~ 122 °F .
2. Rozsah merania vonkajšej teploty: -30 ~ +60 °C / -22 ~ 140 °F .
Pozor: LL.L °C alebo HH.H °C sa na displeji zobrazí, keď je nameraná hodnota teploty mimo vyššie uvedeného rozsahu
3. Rozsah merania vnútornej a vonkajšej vlhkosti: 1 % – 99 %
Pozor: LL% alebo HH% sa na displeji zobrazí, keď je nameraná hodnota vlhkosti mimo vyššie uvedeného rozsahu

4. Presnosť merania teploty $\pm 1,0^{\circ}\text{C}$ v rozsahu od 0°C do $+50^{\circ}\text{C}$ / $32^{\circ}\text{F} \sim 104^{\circ}\text{F}$.
 $\pm 1,5^{\circ}\text{C}$ mimo vyššie uvedený rozsah.
5. Presnosť merania vlhkosti: $\pm 5\%$ (rozsah 40 až 70 %), $\pm 8\%$ mimo rozsah
6. Stlačením tlačidla MEM (Pamäť) skontrolujete najvyššie a najnižšie hodnoty merania, stlačením a podržaním tlačidla MEM (Pamäť) tieto údaje ručne vymažete. (Pozor: Najvyššie a najnižšie namerané hodnoty sa každý deň automaticky vymažú o 00:00).
7. Ak chcete zmeniť jednotku teploty, stlačte tlačidlo DOWN (dole): zo $^{\circ}\text{C}$ (stupne Celzia) na F (stupne Fahrenheita).

Trend teploty

Šípka v blízkosti údajov teploty informuje o trende teploty. Jej smer sa mení podľa toho, či je posledné meranie teploty vyššie alebo nižšie než predchádzajúce meranie.

Šípka smerujúca hore = teplota sa v priebehu poslednej hodiny zvýšila o 1°C .

Žiadna šípka = teplota sa v priebehu poslednej hodiny zmenila o menej než 1°C .

Šípka smerujúca dole = teplota sa v priebehu poslednej hodiny znížila o 1°C .

Trend vlhkosti

Šípka v blízkosti údajov vlhkosti označuje trend vlhkosti. Jej smer sa mení podľa toho, či je posledné meranie vlhkosti vyššie alebo nižšie než predchádzajúce meranie.

Šípka smerujúca hore = vlhkosť sa v priebehu poslednej hodiny zvýšila o 5%.

Žiadna šípka = vlhkosť sa v priebehu poslednej hodiny nezmenila.

Šípka smerujúca dole = vlhkosť sa v priebehu poslednej hodiny znížila o 5%.

Animovaná predpoveď počasia

Predpoveď počasia je založená na zhromaždených hodinových údajoch o teplote a vlhkosti z externého snímača. Stanica predpovedá poveternostné podmienky na nasledujúcich 12 hodín s presnosťou 70 – 75 %. Predvolený symbol predpovede počasia je nastavený na „polooblačno“, meteostanica automaticky kalibruje predpoveď počasia počas prvých 1 až 2 týždňov používania na základe údajov o teplote a vlhkosti z externého snímača.

Bezdrôtový snímač umiestnite vonku, aby ste získali presné údaje o teplote a vlhkosti, v opačnom prípade to negatívne ovplyvní presnosť predpovede počasia.

Predpoveď počasia sa zobrazí v jednej z nasledujúcich kombinácií:



SLNEČNO



POLOOBLAČNO



OBLAČNO



DÁŽĎ



SNEH

Nezabúdajte, že zariadenie predpovedá počasie na základe obmedzených parametrov a môže sa líšiť od oficiálnych predpovedí počasia, ktoré sa vypočítavajú na základe pokročilých algoritmov.

Ukazovateľ bodu mrazu

Keď vonkajšia teplota klesne pod 3 °C/34 °F, na displeji sa zobrazí tento

symbol  a stanica vydá varovný signál.

Riešenie problémov

Žiadne informácie na displeji	<ul style="list-style-type: none"> ❖ Skontrolujte, či sú batérie správne vložené v zariadení.
Teplota z externého snímača sa nezobrazuje.	<ul style="list-style-type: none"> ❖ Skontrolujte, či vzdialenosť medzi stanicou a snímačom nepresahuje 30 m (odporúčané). ❖ Uistite sa, či stanica a snímač sú vzdialené aspoň 2 m od monitorov a televízorov. ❖ Neumiestňujte zariadenia na alebo v blízkosti kovových okenných rámov. ❖ Nepoužívajte stanicu v blízkosti elektronických zariadení, ako sú reproduktory, ktoré pracujú na rovnakej frekvencii (433 MHz). ❖ Vyberte batérie, chvíľu počkajte, a potom ich znova vložte.
Zobrazovaná teplota je nesprávna.	<ul style="list-style-type: none"> ❖ Vyberte batérie, chvíľu počkajte, a potom ich znova vložte. ❖ Uistite sa, či stanica alebo snímač nie sú ovplyvnené zdrojmi tepla, klimatizáciou ap. Alebo je snímač umiestnený na mieste, ktoré je vystavené priamemu slnečnému žiareniu.

Špecifikácia:

- Zobrazovanie vnútornej/vonkajšej teploty
- Zobrazovanie vnútornej/vonkajšej vlhkosti
- Ukazovanie trendu teploty/vlhkosti
- Predpoveď počasia na nasledujúcich 12 – 24 hodín
- Ukazovateľ bodu mrazu
- Hodiny (12/24-hodinový formát)
- Bezdrôtový externý snímač (1 ks v súprave)
- LCD displej
- Zdroj hlavnej jednotky: 2 x 1,5 V batérie (typ AAA, v súprave)
- Zdroj externého bezdrôtového snímača: 2 x 1,5 V batérie (typ AA, v súprave)
- Pracovná frekvencia bezdrôtového snímača: 433,92 MHz
- Príkion: 18 mW (hlavná jednotka), 24 mW (bezdrôtový vysielateľ)
- Nástenný vešiak/Stolový stojan
- Rozmery zariadenia: 81 x 26 x 93 cm
- Rozmery LCD displeja: 53 x 62 cm
- Čistá hmotnosť zariadenia: 0,073 kg
- Rozmery snímača: 38 x 19 x 100 cm
- Čistá hmotnosť snímača: 0,032 kg

Fontos információk

- Tartsa meg a használóti útmutatók későbbi kérdések esetében
- Kerülje a készülék vízzel vagy nedvességgel történő érintkezését
- Ne telepítse a készüléket az alábbi helyeken:
- Kerülje a berendezés közvetlen napfénnel vagy szokatlanul sok porral történő érintkezését.
- Ne helyezzen semmilyen más melegítő készülékek a berendezés mellett.
- A készülék helye ne legyen folyamatosan rezgő helyeken.
- A készülék helye ne legyen magas páratartalmú helyiségben.
- Ne helyezzen nyílt láng vagy gyertyák mellett.
- Berendezések csak kézikönyv szerint használható.
- A berendezés bekapcsolása előtt, győződjön meg róla, hogy az áramellátás megfelelően csatlakozik.

A hátoldalon és a készülék oldalán található légnyílások maradjanak szabadon, Soha ne próbálja meg a hibás készüléket megjavítani, minden esetben forduljon ügyfélszolgálathoz. Ne nyissa fel a készüléket - ezt csak szakember teheti meg.

BIZTONSÁGI UTASÍTÁSOK

1. Olvassa el az utasításokat - figyelmesen olvassa el a biztonsági utasításokat.
2. Tartsa meg az útmutatót - későbbiekben felmerülő kérdések esetére tartsa meg a biztonsági utasításokat.
3. Vegye figyelembe a figyelmeztetéseket - Vegye figyelembe a használati figyelmeztetéseket és utasításokat.
4. Vegye figyelembe az utasításokat - Vegye figyelembe a használati figyelmeztetéseket és utasításokat.
5. Üzembevétel – Utasítások szerint ügyeljen.
6. Áramforrás - A készüléket csatlakoztassa csak a normál hálózati feszültséghez. Ha a felhasználó nem biztos abban, milyen típusú tápegysége van a házban, akkor forduljon a forgalmazóhoz vagy a helyi áramszolgáltatóhoz.
7. Víz és nedvesség - Tűzveszély és egy esetleges áramütés elkerülése végett, a készüléket ne tegye ki esőnek vagy nedvességnek. A berendezést ne használja fürdőkádak, úszómedencék vagy fröcskölő vízforrás közelében.
8. Tárgyak és folyadékok a készülék - Idegen tárgyak nem tegyen be a készülékbe mert feszültség alatt lévő pontokat és alkatrészeket érinthetnek, ami tüzet vagy áramütést okozhat. Ne helyezzen

folyadékkal telt tárolóedényeket a készülékre.

9. Szervíz - Soha ne próbálja meg a hibás készüléket megjavítani, minden esetben forduljon ügyfélszolgálathoz. Ne nyissa fel a készüléket - ezt csak szakember teheti meg. A karbantartási munkákat hagyja szakképzett személyzetre. Egyéb esetekben magát és másokat is veszélyeztet.

10. Pótalkatrészek - Alkatrészek cseréjekor ellenőrizze, hogy a szolgálati munkavállaló használt pótalkatrészeket a gyártó által meghatározott, vagy ugyanilyenek, mint az eredeti rész. Nem engedélyezett részek esetében tűz, áramütés vagy egyéb veszély veszélye van.

11. A készülék maximális környezeti hőmérséklete 35 ° C.

12. Irányelvek az elektrosztatikus károsulról – ha a készülék működése zavarban van az elektrosztatikus károsulás miatt, ki kell kapcsolni és újrapcsolni vagy más helyre mozdulni.

13. Batérie

A. Batérie nesmú byť vystavené nadmernému teplu, ako je slnečné žiarenie, oheň atď

B. Pri likvidácii batérie, venujte pozornosť environmentálnym aspektom.

C. Upozornenia týkajúce sa používania batérií: aby sa zabránilo úniku batérie, čo môže mať za následok zranenie alebo poškodenie zariadenia:

1. Pri vkladaní batérií dbajte na správnu polaritu (+ a -).

2. Nepoužívajte rôzne batérie naraz - staré a nové batérie, štandardné a alkalické atď

3. Vyberte batérie z prístroja, keď nie je používaný po dlhšiu dobu.

ERP2-ről megjegyzések (energiával kapcsolatos eszközök)

Ez a készülék ökoprojekttel megfelel a 2. szakasz bizottsági rendelet (EC) No 1275/2008 irányelvet átültető 2009/125/EK energiafogyasztásról a fogyatékkal élő és működő készenléti üzemmódban elektronikus eszközökről irodában és házban.

FIGYELEM

A készüléket nem használhatják olyan személyek (beleértve a gyerekeket), akik testi, érzékszervi vagy szellemi fogyatékoságtól szenvednek és az elégtelen tudású és tapasztalatú is, ha a felelős

személy nem felügyeli és nem kapták elég információ a készülékről. Felnőttek jelenlétére szüksége van ha a gyerekek használják a készüléket. Ez biztosítja a biztonságos használatát.

1. Soha ne hagyja a gépet felügyelet nélkül! Kapcsolja ki készüléket, ha nem használ, bár egy rövid ideig.
2. Ne használja a készüléket egy külső órajel időzítővel, vagy egy külön távvezérlő rendszerrel.
3. Kockázatának elkerülése érdekében a tápkábél megsérülése esetében, a cserét gyártónak kell végezni, meghatalmazott szolgáltató, vagy más személy aki rendelkezik megfelelő képzéssel.
4. Mielőtt használatba venné a készüléket, ellenőrizze, hogy a hálózati feszültség megegyezik a feszültséggel előforduló helyi hálózatban.
5. Tűzveszély és egy esetleges áramütés elkerülése végett, a készüléket ne tegye ki esőnek vagy nedvességnek.
6. Ne tegye ki erős mágneses mezőre.
7. Ne helyezze a készüléket közvetlenül az erősítőn vagy vevőn.
8. Ne helyezze a készüléket párás helyen, mert a nedvességnek hátrányos hatása van az elektromos alkatrészekre.
9. A készülék hozása a hideg helyről meleg vagy nedves helyre páralecsapódás a lencsén a lejátszó belsejében történhet. Ebben az esetben a készülék nem helyesen működhet. Hagyja a gépet bekapcsolva körülbelül egy óráig, hogy lehetővé tegye a nedvesség párolgást.
10. Ne tisztítsa a készüléket kémiai oldószerekkel, a készülék lakk megsemmisítése miatt. Az eszköz tiszta, száraz vagy enyhén nedves ruhával tisztítható.

FIGYELEM

Megfelelőség



A Blaupunkt Competence Center 2N-Everpol Sp. z o.o. kijelenti, hogy ez a készülék megfelel a 2014/53/EU irányelv alapvető követelményeinek és más vonatkozó rendelkezéseinek. A megfelelőségi nyilatkozat a termék honlapjáról szerezhető be: www.blaupunkt.com.

Felelős fél: 2N-Everpol Sp. z o.o., Puławska 403A, 02-801 Varsó, Lengyelország, telefon: +48 22 688 08 00, e-mail: info@everpol.pl



A termék kiváló minőségű anyagokból és alkatrészekből áll, újrahasznosíthatók és újra felhasználhatók.



Ha a készüléken az áthúzott szeméttároló van, azt jelento, hogy a termék 2012/19/EU számú európai uniós irányelv megkívánja. Kérjük, olvassa el a követelmények a helyi rendszerről a hulladék elektromossal és elektronikus berendezésekkel kapcsolatos. Helyi követelmények szerint csinálni kell. Ne dobja a terméket a normál háztartási szeméttel. Megfelelő a régi termék ártalmatlanítása segít megelőzni a lehetséges negatív következményeket a környezetre és az emberi egészségre.



A készülék fel van szerelve akkumulátorral ami megfelel a 2006/66/EC európai irányelv követelményeinek. Ne dobja az elemet a normál háztartási szeméttel. Kérjük, olvassa el a követelmények a helyi rendszerről a hulladék elektromossal és elektronikus berendezésekkel kapcsolatos. Helyi követelmények szerint csinálni kell. Ne dobja a terméket a normál háztartási szeméttel.

Információk a környezetvédelemről

A csomag csak a szükséges elemeket tartalmaz. Minden erőfeszítést tettek, hogy a csomagolóanyag három összetevője könnyen elkülönített legyen: karton (doboz), polisztirol (belső biztonság) és polietilén (zacskó, védő lap). A készülék olyan anyagból készült, melyek újrahasznosíthatók és szétszerelhetőek. Kérjük, olvassa el a követelmények a helyi rendszerről a hulladék elektromossal és elektronikus berendezésekkel kapcsolatos.

Felvételhez és lejátszáshoz engedélyre van szükség. Lásd a szerzői jogi törvényt, valamint az előadók / művészek jogairól.

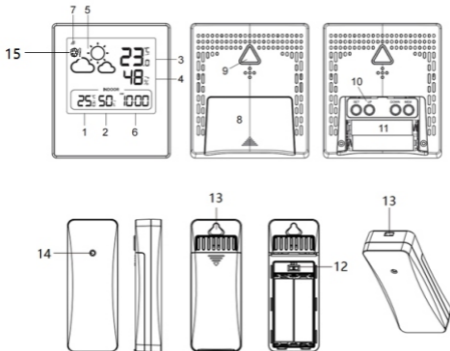
Köszönjük, hogy megvásárolta időjárásjelző állomásunkat. Ez a modell a következő funkciókkal rendelkezik.

Funkciók

- Időjárás-előrejelzés: napos, részlegesen felhős, borult, eső, hó.
- Fagyjelző.
- Beltéri / kültéri hőmérséklet.
- Beltéri / kültéri páratartalom.
- A belső és külső hőmérséklet és páratartalom mérések minimális és maximális értékeinek memóriája.
- 12/24 órás óra üzemmód.
- Külső, vezeték nélküli hőmérséklet és páratartalom érzékelő.

Kérjük, a gép elindítása előtt figyelmesen olvassa el ezt a használati útmutatót. A használati útmutatót későbbi igénybevétel céljából őrizze meg.

Kijelző és vezérlő elemek



- | | |
|--|---------------------------------|
| 1. Beltéri hőmérséklet / trend | 2. Beltéri páratartalom / trend |
| 3. Külső hőmérséklet / trend | 4. Külső páratartalom / trend |
| 5. Animált időjárás-előrejelzés | 6. Óra |
| 7. A külső érzékelőtől érkező jel vételének jelzése | |
| 8. Akkumulátortartó fedele | 9. Rögzítőfurat felakasztáshoz |
| 10. Szabályozó gombok: beállítás (SET)/fel UP/le (DOWN)/memória (MEM); | |
| 11. Akkumulátortartó | 12. Érzékelő csatorna kapcsoló |
| 13. Rögzítőfuratok felakasztáshoz | 14. Érzékelő ellenőrző lámpája |
| 15. Fagyjelző | |


Csatlakoztatás

Nyissa ki az akkumulátortartó fedelét. Helyezzen be 2 AAA akkumulátort az időjárásjelző állomásba, majd helyezzen 2 AA akkumulátort a külső érzékelőbe a kamrán feltüntetett polaritásnak megfelelően. (A készlet tartalmazza az akkumulátort)

A legjobb teljesítmény elérése érdekében javasoljuk kiváló minőségű alkáli akkumulátorok használatát. „Heavy duty” elemek vagy akkumulátorok használata nem ajánlott. Az akkumulátor lemerülésekor az időjárásjelző állomás kijelzője kikapcsol. (Az új akkumulátor hozzávetőleges üzemideje: 6 hónap az időjárásjelző állomásban, 12 hónap a külső vezeték nélküli érzékelőben. A megadott üzemidő csak becslés, és számos tényezőtől függ, mint például a használt akkumulátorok típusa, a gyártó, a munkakörülmények stb.)

Külső, vezeték nélküli érzékelő jelének fogadása

Ha az akkumulátor megfelelően van behelyezve, az időjárásjelző állomás automatikusan észleli és fogadja a külső hőmérséklet és páratartalom mérés jelét egy külső, vezeték nélküli érzékelőtől. A jel megkeresése legfeljebb 3 percet vesz igénybe. A keresés során a

vezeték nélküli érzékelő jelének vételi kijelzője  villogni kezd, a jel sikeres fogadása után pedig stabilizálódik. Ha az állomás nem kap jelet egy külső érzékelőtől, 3 perc elteltével eltűnik a vétel jelzése, és a hőmérséklet, valamint a külső páratartalom adatai helyett a következő szimbólum jelenik meg a kijelzőn: „- -”. A külső érzékelőtől érkező jel keresésének újbóli engedélyezéséhez nyomja le és tartsa lenyomva a „fel” gombot 3 másodpercig.

A készülék elhelyezése és egyéb megjegyzések:

1. Ez az időjárásjelző állomás csak 1 külső vezeték nélküli érzékelőt

támogat. Ha az érzékelő rendelkezik csatornkapcsolóval, mindig állítsa az „1” csatornára

(* Az érzékelő kompatibilis lehet más, 3 csatornát támogató modellekkel)

2. Kérjük, hogy az időjárásjelző állomást és a külső érzékelőt az interferenciaforrásoktól, például a számítógép-monitoroktól vagy a televízióktól 1,5~2 méterre helyezze el és használja. Az időjárásjelző állomást a fémkeretes ablakoktól távol kell elhelyezni.

3. Ne használjon más elektronikus terméket, például fejhallgatót vagy hangszórót, amely ugyanazon a jelfrekvencián (433,92 MHz) működik, mivel interferenciát okozhat. Kérjük, vegye figyelembe, hogy ha a szomszédai azonos frekvencián (433,92 MHz) működő elektronikus eszközöket használnak, az interferenciát okozhat a megfelelő működésben.

4. A beltéri hőmérséklet pontos méréséhez helyezze az időjárásjelző állomást száraz, szennyeződésektől és portól mentes helyre. Válasszon egy helyet közvetlen napfénytől és más hőforrásoktól, valamint szellőzőnyílásoktól távol.

5. A vezeték nélküli érzékelő kültéren is telepíthető. A mérés lehető legjobb pontossága érdekében az érzékelőt állítsa függőleges helyzetbe, legalább 1,5 ~ 2 méterre a talajtól, esőtől védett és jó légáramlással rendelkező helyre. Ne tegye ki az érzékelőt hosszú ideig közvetlen napsugárzásnak.

6. A vezeték nélküli érzékelő maximális üzemi távolsága 80 méter az időjárás-jelző állomástól, amennyiben nincsenek közbenső akadályok.

7. A vezeték nélküli érzékelő 114 másodpercenként küldi a jelet az állomásnak.

Óra beállítása

Tartsa lenyomva a beállítás (SET) gombot 3 másodpercig, a kijelző villogva megjelenik a következő információ: 12/24H, nyomja meg a fel (UP) vagy le (DOWN) gombot az időformátum kiválasztásához – 12 vagy 24 óra; nyomja meg a beállítás (SET) gombot a kiválasztás megerősítéséhez és az óra beállítására való áttéréshez, nyomja meg az UP vagy Down gombot az óra beállításához; nyomja meg ismét a beállítást (SET) gombot a kiválasztás megerősítéséhez, és lépjen a perc beállítására – az eljárás ugyanaz, mint az óra beállításánál; nyomja meg ismét a beállítás (SET) gombot a kiválasztás megerősítéséhez és az óra beállításának befejezéséhez. (Nyomja meg és tartsa lenyomva a fel (UP) vagy le (DOWN) gombot a beállítás felgyorsításához.)

Hőmérséklet és páratartalom

1. Belső hőmérséklet mérési tartománya: $-10 \sim +50 \text{ }^{\circ}\text{C}$ / $14 \sim 122 \text{ }^{\circ}\text{F}$.
2. Külső hőmérséklet mérési tartománya: $-30 \sim +60 \text{ }^{\circ}\text{C}$ / $-22 \sim 140 \text{ }^{\circ}\text{F}$.
Figyelem: LL.L $^{\circ}\text{C}$ vagy HH.H $^{\circ}\text{C}$ jelenik meg a kijelzőn, ha a mért hőmérséklet értéke a fenti tartományon kívül esik
3. A belső és külső páratartalom mérési tartománya: 1%-99%
Figyelem: LL% vagy HH% jelenik meg a kijelzőn, ha a mért páratartalom a fenti tartományon kívül esik
4. Hőmérsékletmérés pontossága: $\pm 1,0 \text{ }^{\circ}\text{C}$ a $0 \text{ }^{\circ}\text{C}$ és $+50 \text{ }^{\circ}\text{C}$ / $32 \text{ }^{\circ}\text{F} \sim 104 \text{ }^{\circ}\text{F}$ közötti tartományban.
 $\pm 1,5 \text{ }^{\circ}\text{C}$ a fenti tartományon kívül.
5. Páratartalom-mérés pontossága: $\pm 5\%$ (40-70% tartományban), $\pm 8\%$ tartományon kívül
6. Nyomja meg a memória (MEM) gombot a maximális és minimális mérési értékek ellenőrzéséhez, nyomja meg és tartsa lenyomva a memória (MEM) gombot az adatok manuális törléséhez. (Figyelem: A maximális és minimális mérési értékek minden nap 00:00 órakor automatikusan törlődnek).
7. Nyomja meg a le (DOWN) gombot a hőmérséklet mértékegységének megváltoztatásához: $^{\circ}\text{C}$ (Celsius fok) -ról $^{\circ}\text{F}$ (Fahrenheit fok) -ra.

Hőmérséklet alakulása

A hőmérsékleti adatokhoz közeli nyíl jelzi a hőmérséklet alakulását.

Iránya attól függően változik, hogy az utolsó mért hőmérséklet magasabb vagy alacsonyabb, mint a korábbi értékek.

Felfelé mutató nyíl = a hőmérséklet $1 \text{ }^{\circ}\text{C}$ -kal nőtt az elmúlt órában.

Nincs nyíl = a hőmérséklet kevesebb, mint $1 \text{ }^{\circ}\text{C}$ -kal változott az elmúlt órában.

Lefelé mutató nyíl = a hőmérséklet $1 \text{ }^{\circ}\text{C}$ -kal csökkent az elmúlt órában.

Páratartalom alakulása

A páratartalomhoz közeli nyíl jelzi a páratartalom alakulását. Iránya attól függően változik, hogy a legutolsó páratartalom magasabb vagy alacsonyabb, mint a korábbi értékek.

Felfelé mutató nyíl = a páratartalom 5%-kal nőtt az elmúlt órában.

Nincs nyíl = a páratartalom nem változott az elmúlt órában.

Lefelé mutató nyíl = a páratartalom 5%-kal csökkent az elmúlt órában.

Animált időjárás-előrejelzés

Az időjárás-előrejelzés a külső érzékelő által gyűjtött óránkénti hőmérsékleti és páratartalmi adatokon alapul. Az állomás a következő

12 órára 70-75%-os pontossággal előrejelzi az időjárási viszonyokat. Az alapértelmezett időjárás-előrejelzés ikon „részleges felhőtakaróként” van beállítva, az időjárás-jelző állomás automatikusan kalibrálja az időjárás-előrejelzést a működés első 1-2 hetében a külső érzékelő hőmérsékleti és páratartalmi adatai alapján.

A pontos hőmérsékleti és páratartalmi adatok érdekében a vezeték nélküli érzékelőt a szabadban kell elhelyezni, ellenkező esetben az időjárás-előrejelzés pontatlan lesz.

Az időjárás-előrejelzés a következő kombinációk egyikében jelenik meg:



NAPOS

RÉSZLEGESEN FELHŐS


BORULT

ESŐ

HÓ

Felhívjuk figyelmét, hogy a készülék az időjárást korlátozott paraméterek alapján jelzi, ez eltérhet a hivatalos időjárás-előrejelzésektől, amelyeket speciális algoritmusok alapján számítanak ki.

Fagyjelző

Amikor a külső hőmérséklet 3°C/34°F alá csökken,  szimbólum jelenik meg a kijelzőn és az állomás figyelmeztető jelet bocsát ki.

Problémamegoldás

Nincsenek információk a kijelzőn	<ul style="list-style-type: none"> ✧ Ellenőrizze, hogy az akkumulátorok megfelelően vannak-e behelyezve a készülékbe.
A külső érzékelő hőmérséklete nem jelenik meg.	<ul style="list-style-type: none"> ✧ Ellenőrizze, hogy az állomás és az érzékelő közötti távolság nem haladja meg a 30 métert (ajánlott) ✧ Győződjön meg arról, hogy az állomás és az érzékelő legalább 2 méterre van a monitoroktól és a televíziókészülékektől. ✧ Ne helyezzen eszközöket fém ablakkeretekre vagy azok közelébe. ✧ Kerülje az állomások használatát olyan elektronikus eszközök közelében, mint például az azonos frekvencián (433 MHz) működő hangszórók. ✧ Vegye ki az akkumulátorokat, várjon egy pillanatot, majd helyezze vissza őket.
A kijelzett hőmérséklet helytelen.	<ul style="list-style-type: none"> ✧ Vegye ki az akkumulátorokat, várjon egy pillanatot, majd helyezze vissza őket. ✧ Győződjön meg arról, hogy az állomást vagy az érzékelőt nem befolyásolják-e hőforrások, légkondicionálók stb. Vagy a szenzor olyan helyen található, ahol közvetlen napsugárzás érheti.

Műszaki adatok:

- Beltéri/kültéri hőmérséklet kijelzése
- Beltéri/kültéri páratartalom kijelzése
- Hőmérséklet/páratartalom trend jelzése
- Időjárás-előrejelzés a következő 12-24 órára
- Fagyjelző
- Óra (12/24 órás formátum)
- Vezeték nélküli, külső érzékelő (1 db)
- LCD kijelző
- Fő egység tápfeszültségének forrása: 2 x 1,5 V akkumulátor (AAA méret, mellékelve)
- Külső vezeték nélküli érzékelő áramforrása: 2 x 1,5 V akkumulátor (AA méret, mellékelve)
- Vezeték nélküli érzékelő üzemi frekvenciája: 433,92 MHz
- Áramfelvétel: 18 mW (főegység), 24 mW (vezeték nélküli adó)
- Falikar / Asztali állvány
- Az eszköz méretei: 81 x 26 x 93 mm
- LCD kijelző méretei: 53 x 62 mm
- Az eszköz nettó súlya: 0,073 kg
- Érzékelő méretei: 38 x 19 x 100 mm
- Érzékelő nettó súlya: 0,032 kg

Važne informacije

- Sačuvajte operativne upute i sigurnosne informacije kako bi se ih moglo koristiti u budućnosti.
- Nemojte dopustiti da na uređaj kapa ili proliva se bilo koja tekućina.
- Ne smije se također koristiti na vlažnim mjestima, kao što su npr. kupaonica.
- Ne postavljajte uređaj na sljedećim mjestima:
 - Izložen suncu ili blizu grijalica.
 - Na vrh druge stereo opreme koja generira toplinu.
 - Tako da blokira ventilaciju ili u prašnjavom mjestu.
 - U okruženju izloženom neprekidnim vibracijama.
 - U područjima visoke vlage.
- Ne postavljajte uređaj blizu otvorenog plamena ili otvorene vatre.
- Uređaj se može koristiti samo na način opisan u ovim uputama.
- Prije prvog uključivanja napajanja, pobrinite se da je napajanje ispravno pripojeno.

Iz sigurnosnih razloga, nemojte skidati poklopce ili pristupiti unutrašnjosti uređaja. Uređaj smije popravljati samo kvalificirano servisno osoblje.

Nemojte rastavljati uređaj ili otvarati njegovo kućište, jer unutra nema dijelova koje bi se moglo popraviti od strane korisnika. ržavanje i popravak opreme izvrši isključivo kvalificirano servisno osoblje.

Sigurnosne upute

1. Pročitajte upute - prije uporabe stroja, pročitajte sve upute i informacije o sigurnosti.
2. Sačuvajte ove upute - zadržite upute za upotrebu i održavanje kako bi se ih moglo koristiti u budućnosti.
3. Poštujte upozorenja - slijedite sva upozorenja objavljena na uređaju te koje se nalaze u uputama.
4. Slijedite upute - slijedite upute i preporuke za korisnike.
5. Montaža - montirajte uređaj prema uputama proizvođača.
6. Izvori energije - uređaj treba napajati samo iz izvora koji je naveden na naljepnicama na kabelu napajanja. Ako niste igurni koju vrstu napajanja ima vaša kuća, obratite se prodavatelju ili lokalnoj energetskej tvrtki.
7. Voda i vlaga - kako bi se smanjio rizik od požara ili električnog udara, nemojte izlagati uređaj kiši, vlazi i vodi, na primjer u sauni ili u kupaonici. Ne koristite ovaj proizvod u blizini vode, primjerice blizu kade, umivaonika, sudopera ili kade za pranje rublja, u vlažnom podrumu ili blizu bazena (ili u drugim sličnim mjestima).

8. Ulaz predmeta i tekućine - nikada ne otipajte predmete bilo koje vrste u ovaj proizvod kroz otvore, jer mogu dodirivati opasne tačke napona ili delove kratkog spoja koji mogu dovesti do požara ili električnog udara. Nikada ne prosipajte tečnost bilo koje vrste na proizvodu. Nemojte postavljati bilo koji predmet koji sadrži tečnost na vrhu proizvoda.

9. Servisiranje - ne pokušavajte pogledati unutrašnjost uređaja sami. Otvaranje poklopca može uzrokovati opasne napone i izložiti vas drugim opasnostima. Održavanje i popravak opreme vrši isključivo kvalificirano servisno osoblje.

10. Rezervni dijelovi – tijekom zamjene dijelova, treba provjeriti dla li servisera je koristio rezervne dijelove koje preporučuje proizvođač ili dijelove koje su identične originalnim dijelom. Izrada zamjene neodobrenih rezervnih dijelova ugrožava od požara, strujnog udara ili drugih opasnosti.

11. Maksimalna temperatura okoline uređaja je 35°C

12. Savjeti za elektrostatička pražnjenja - ako se rad prekine zbog elektrostatičkog pražnjenja, isključite uređaj ponovno ili premjestiti ga na drugo mjesto.

13. Baterija

a. Baterije se ne smije izlagati pretjeranoj toplini, npr. suncu, vatri i sličnim uvjetima.

b. Kod zbrinjavanja baterije, obratite pažnju na aspekte okoliša.

c. Ponašajte se oprezno tijekom korištenjem baterija: kako bi se spriječilo curenje baterije, koje može uzrokovati ozljede ili oštećenja na uređaju:

- Pri umetanju baterija obratite pažnju na polaritet (+ i -).
- Nemojte koristiti različite baterije u isto vrijeme - stare i nove, alkalne baterije, standardne it
- Izvadite baterije iz uređaja kad se ga neće koristiti duže vrijeme.

UPOZORENJE

Uređaj ne smije biti korišten od strane osoba (uključujući djecu) sa smanjenim fizičkim, osjetilnim ili mentalnim sposobnostima te osoba s nedovoljnim znanjem i iskustvom, ako nisu one pod nadzorom osobe odgovorne za njihovu sigurnost i nisu obučeni o tome kako sigurno koristiti uređaj. Prisutnost odraslih je potrebna ako uređaj koriste djeca; ovo će osigurati sigurnu uporabu uređaja.

1. Nikada ne ostavljajte stroj da radi bez nadzora! Isključite uređaj kada nije u uporabi, čak i za kratko vrijeme.

2. Uređaj se ne može upravljati putem vanjskog sata s timerom, ili posebnim sustavom daljinskog upravljanja.

3. Da bi se izbjegla opasnost u slučaju štete za zamjenu kabela

napajanja treba se obratiti proizvođaču, ovlaštenom servisu ili drugim stručnim osobama.

4. Prije uporabe uređaja, provjerite je li napon odgovara naponu koji je nastao u mrežnom naponu.
5. Kako biste spriječili požar ili strujni udar, uređaj mora biti zaštićen od žarišta, kiše, vlage i prašine.
6. Nemojte da uređaj izlažete jakim magnetskim poljima.
7. Nemojte da uređaj stavlјajte izravno na pojačalu ili prijammiku.
8. Ne postavljajte uređaj na vlažnom mjestu, jer vlaga ima štetan učinak na električne komponente.
9. Dovođenje uređaja iz hladnog u toplo vlažnom mjestu može uzrokovati kondenzaciju na leći unutar playera. U ovom slučaju, uređaj neće raditi ispravno. Uređaj se mora ostaviti uključen oko jedan sat kako bi se omogućilo isparavanje vlage.
10. Izbjegavajte korištenje kemijskih otapala, jer mogu oštetiti boju kućišta. Uređaj se obriše čistom, suhom ili vlažnom krpom.

NAPOMENA



Izjava

Niže navedenim Blaupunkt Competence Center 2N-Everpol Sp. z o.o. izjavljuje da je ovaj proizvod u skladu sa zahtjevima i drugim relevantnim odredbama Direktive 2014/53/EU. Za potpunu Izjavu o sukladnosti posjetite stranicu www.blaupunkt.com na kartici proizvoda.

Odgovorni subjekt: 2N-Everpol Sp. Z o.o.

Puławska 403A, 02-801 Varšava, Poljska

Telefon: +48 22 688 08 00, e-mail: info@everpol.pl



Proizvod je izrađen od visokokvalitetnih materijala i dijelova koji se mogu reciklirati i ponovo upotrijebiti.



Ako vaš uređaj ima znak prekrіžene kante za otpatke, ovo označava da je proizvod pokriven odredbama Europske direktive 2012/19/EU. Molimo poštuјte zahtjeve lokalnog sustava za prikupljanje električnog

otpada i elektroničke opreme. Radite u skladu s lokalnim propisima. Ne bacajte ovaj proizvod zajedno s kućnim otpadom. Ispravnim odlaganjem starog proizvoda spriječit ćete potencijalne negativne posljedice na okoliš i zdravlje ljudi.



Uređaj je opremljen sa baterijama obuhvaćenim Europskom direktivom 2006/66/EC. Baterije se ne smije odlagati zajedno s komunalnim otpadom. Molimo pogledajte lokalne propise o zasebnom prikupljanju baterija jer ispravnim odlaganjem spriječit ćete potencijalne negativne posljedice na okoliš i zdravlje ljudi.

Informacije o zaštiti okoliša

Paket uključuje samo nužne komponente. Svaki napor je napravljen da bit tri sastavni komponenti paketa lako odvojili: karton (kutija), polistirenska pjena (zaštita unutra) i polietilen (vrećica, zaštitna folija). Uređaj je izrađen od materijala koje se može reciklirati i ponovo upotrijebiti nakon demontaže od strane specijalizirane tvrtke. Poštujte lokalne propise o raspolaganju iskorišćenih ambalažnih materijala, baterija i nepotrebne opreme. Snimanje i reprodukcija materijala može zahtijevati pristanak. Vidi Zakon o autorskim pravima i prava izvođača/umjetnika.

Napomena o ERP2 (oprema koja se odnosi na energiju)

Ovaj ekodizajnirani uređaj zadovoljava zahtjeve 2. faze Uredbe Komisije (EZ) br. 1275/2008 kojom se provodi Direktivu 2009/125/EZ o potrošnji energije od strane isključenih i elektroničkih uređaja ili uređaja u modu čekanja za uredsku i kućnu uporabu.

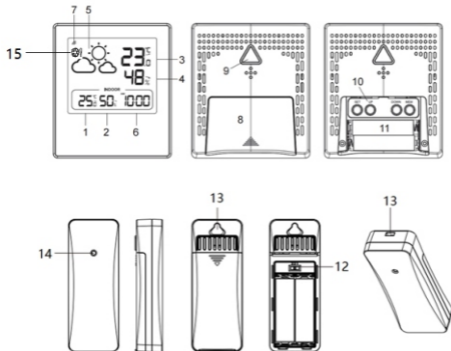
Zahvaljujemo što ste kupili našu meteorološku stanicu. Ovaj model ima sljedeće funkcije.

Funkcije

- Vremenska prognoza: sunčano, djelomično oblačno, oblačno, kiša, snijeg.
- Indikator točke smrzavanja.
- Unutarnja/vanjska temperatura.
- Unutarnja / vanjska vlažnost.
- Memorija minimalnih i maksimalnih vrijednosti mjerenja unutarnje i vanjske temperature i vlage.
- 12/24 satni način rada.
- Vanjski bežični senzor temperature i vlažnosti.

Pažljivo pročitajte i razumite ovaj priručnik prije puštanja uređaja u rad. Molimo sačuvajte ovaj priručnik za buduću upotrebu.

Zaslon i kontrole




- | | |
|--|--------------------------------|
| 1. Unutarnja temperatura / trend | 2. Unutarnja vlažnost / trend |
| 3. Vanjska temperatura / trend | 4. Vanjska vlažnost / trend |
| 5. Animirana vremenska prognoza | 6. Sat |
| 7. Indikator prijema signala s vanjskog senzora | |
| 8. Poklopac odjeljka za baterije | 9. Montažni otvor za vješanje |
| 10. Gumbi za podešavanje: postavke (SET) / gore (GORE) / dolje (DOLJE) / memorija (MEM); | |
| 11. Odjeljak za baterije | 12. Prekidač kanala senzora |
| 13. Montažne rupe za vješanje | 14. Svjetlo indikatora senzora |
| 15. Indikator ledišta | |

Montaža

Otvorite poklopac odjeljka za baterije. Umetnite 2 AAA baterije u meteorološku stanicu, zatim umetnite 2 AA baterije u vanjski senzor u skladu s polaritetom prikazanim u odjeljku. (baterije su uključene) Za najbolje performanse proizvoda, preporučamo korištenje visokokvalitetnih alkalnih baterija. Ne preporučuje se uporaba baterija za teške uvjete rada ili punjivih baterija. Zaslون meteorološke stanice će se isključiti kada je baterija niska. (Približno vrijeme rada s novom baterijom: 6 mjeseci za meteorološku stanicu, 12 mjeseci za bežični vanjski senzor. Vremena rada su samo procjene i ovise o mnogim čimbenicima kao što su vrsta korištenih baterija, proizvođač, radni uvjeti itd.)

Primanje signala s vanjskog bežičnog senzora

Nakon što je baterija pravilno instalirana, meteorološka stanica automatski otkriva i prima signal vanjske temperature i vlažnosti od bežičnog vanjskog senzora. Traženje signala trajat će do 3 minute.

Tijekom pretraživanja, indikator primanja signala s bežičnog senzora  treptat će i stabilizirati se kada se signal uspješno primi. Ako stanica ne primi signal od vanjskog senzora, indikator prijema signala će nestati nakon 3 minute, a na zaslonu će se umjesto podataka o vanjskoj temperaturi i vlažnosti prikazati sljedeći simbol: "- -". Kako biste ponovno omogućili traženje signala vanjskog senzora, pritisnite i držite tipku gore 3 sekunde.

Položaj uređaja i druge napomene:

1. Ova meteorološka stanica podržava samo 1 bežični vanjski senzor. Ako senzor ima prekidač kanala, uvijek ga postavite na kanal "1" (* Senzor može biti kompatibilan s drugim modelima koji podržavaju 3 kanala)

2. Postavite i koristite meteorološku stanicu i vanjski senzor unutar 1,5 ~ 2 metra od izvora smetnji kao što su računalni monitori ili TV prijemnici. Meteorološka stanica također treba biti postavljena dalje od prozora s metalnim okvirima.
3. Nemojte koristiti druge elektroničke proizvode, poput slušalica ili zvučnika, koji rade na istoj frekvenciji signala (433,92 MHz) jer mogu uzrokovati smetnje. Zapamtite da ako vaši susjedi koriste elektroničke uređaje koji rade na istoj frekvenciji signala (433,92 MHz), oni također mogu ometati ispravan rad.
4. Za točno mjerenje unutarnje temperature, postavite vremensku stanicu na suho mjesto, bez prljavštine i prašine. Odaberite mjesto podalje od izravne sunčeve svjetlosti i drugih izvora topline te podalje od ventilacijskih otvora.
5. Bežični senzor može se postaviti na otvorenom. Za najbolju moguću točnost mjerenja, senzor postavite u uspravan položaj najmanje 1,5 ~ 2 metra od tla, zaštićen od kiše i s dobrom cirkulacijom zraka. Ne izlažite senzor izravnoj sunčevoj svjetlosti dulje vrijeme.
6. Maksimalna radna udaljenost bežičnog senzora je 80 metara od meteorološke postaje, bez ikakvih prepreka između.
7. Signal s bežičnog senzora šalje se stanici svakih 114 sekundi.

Podešavanje sata

Pritisnite i držite tipku SET 3 sekunde i zaslon će treperiti: 12 / 24H, pritisnite tipku GORE ili DOLJE za odabir 12 ili 24-satnog formata vremena; pritisnite tipku SET za potvrdu odabira i unesite postavku sata, pritisnite tipku GORE ili DOLJE za postavljanje sata; ponovo pritisnite tipku SET za potvrdu odabira i prelazak na postavku minuta - postupak je isti kao i za postavku sati; Ponovno pritisnite tipku SET za potvrdu odabira i dovršetak podešavanja sata. (Pritisnite i držite tipku GORE ili DOLJE kako biste ubrzali podešavanje.)

Temperatura i vlažnost

1. Raspon mjerenja unutarnje temperature: -10 ~ +50°C / 14 ~ 122°F.
2. Raspon mjerenja vanjske temperature: -30 ~ +60°C / -22 ~ 140°F.
Napomena: LL.L°C ili HH.H°C pojavit će se na zaslonu kada je izmjerena vrijednost temperature izvan gornjeg raspona
3. Raspon mjerenja unutarnje i vanjske vlažnosti: 1% -99%
Napomena: LL% ili HH% pojavit će se na zaslonu kada je izmjerena vrijednost vlažnosti izvan gornjeg raspona
4. Točnost mjerenja temperature: ± 1,0°C u rasponu od 0°C do +50°C / 32°F ~ 104°F.
± 1,5°C izvan gornjeg raspona.
5. Točnost mjerenja vlažnosti: ± 5% (u rasponu od 40 do 70%), ± 8% izvan raspona.

6. Pritisnite tipku memorije (MEM) za provjeru maksimalne i minimalne vrijednosti mjerenja, pritisnite i držite tipku memorije (MEM) za ručno brisanje podataka. (Napomena: Maksimalne i minimalne vrijednosti mjerenja bit će automatski izbrisane u 00:00 svaki dan).

7. Pritisnite tipku DOLJE za promjenu jedinice temperature: ze°C (stupnjeva Celzijusa) do °F (stupnjevi Fahrenheita).

Trend temperature

Strelica u blizini podataka o temperaturi pokazuje trend temperature. Njegov se smjer mijenja ovisno o tome je li zadnje očitavanje temperature više ili niže od prethodnih očitavanja.

Strelica gore = temperatura je porasla za 1°C u posljednjem satu.

Nema strelice = temperatura se promijenila za manje od 1°C u posljednjem satu.

Strelica prema dolje = temperatura se smanjila za 1°C u posljednjem satu.

Trend vlage

Strelica blizu podataka o vlazi pokazuje trend vlage. Njegov se smjer mijenja ovisno o tome je li zadnje očitavanje vlage veće ili niže od prethodnih očitavanja.

Strelica prema gore = vlaga se povećala za 5% u posljednjih sat vremena.

Nema strelice = vlažnost se nije promijenila u zadnjih sat vremena.

Strelica prema dolje = vlaga se smanjila za 5% u zadnjih sat vremena.

Animirana vremenska prognoza

Vremenska prognoza temelji se na prikupljenim podacima o temperaturi i vlažnosti zraka vanjskog senzora po satu. Postaja prognozira vremenske uvjete za sljedećih 12 sati s točnošću od 70-75%. Zadana ikona vremenske prognoze postavljena je na "djelomično oblačno", meteorološka stanica će automatski kalibrirati vremensku prognozu u prva 1-2 tjedna rada na temelju podataka o temperaturi i vlažnosti s vanjskog senzora.

Bežični senzor treba postaviti vani kako bi se dobili točni podaci o temperaturi i vlažnosti, inače će utjecati na točnost vremenske prognoze.

Vremenska prognoza pojavit će se u jednoj od sljedećih kombinacija:



SUNČANO DJELOMIČNA OBLAKA

OBLAK


KIŠA

SNIJEG

Imajte na umu da uređaj prognozira vrijeme na temelju ograničenih parametara i može se razlikovati od službenih vremenskih prognoza koje se izračunavaju pomoću naprednih algoritama.

Indikator točke smrzavanja

Kada je vanjska temperatura ispod 3 °C / 34 °F, ovaj simbol će se

pojaviti na zaslonu  i stanica će emitirati ton upozorenja.

Rješavanje problema

Nema informacija na zaslonu	<ul style="list-style-type: none"> ◇ Provjerite jesu li baterije pravilno postavljene u uređaj.
Temperatura vanjskog senzora se ne prikazuje.	<ul style="list-style-type: none"> ◇ Provjerite da udaljenost između stanice i senzora ne prelazi 30 m (preporučeno) ◇ Provjerite jesu li stanica i senzor udaljeni najmanje 2 metra od monitora i TV prijemnika. ◇ Izbjegavajte postavljanje uređaja na ili blizu metalnih okvira prozora. ◇ Izbjegavajte korištenje postaje u blizini elektroničkih uređaja poput zvučnika koji rade na istoj frekvenciji (433 MHz). ◇ Izvadite baterije, pričekajte neko vrijeme, a zatim ih ponovno umetnite.
Prikazana temperatura je netočna.	<ul style="list-style-type: none"> ◇ Izvadite baterije, pričekajte neko vrijeme, a zatim ih ponovno umetnite. ◇ Pazite da na stanicu ili senzor ne utječu izvori topline, klima uređaji itd. Ili se senzor nalazi na mjestu izloženom izravnom sunčevom svjetlu.

Specifikacija:

- Prikaz unutarnje / vanjske temperature
- Zaslon unutarnje / vanjske vlažnosti
- Indikacija trenda temperature / vlažnosti
- Vremenska prognoza za sljedećih 12-24 sata
- Indikator točke smrzavanja
- Sat (12/24 satni format)
- Bežični vanjski senzor (1 kom uključen)
- LCD zaslon
- Izvor napajanja glavne jedinice: 2 x 1,5 V baterije (veličine AAA, uključene)
- Vanjski izvor napajanja bežičnog senzora: 2 x 1,5 V baterije (veličina AA, uključene)
- Radna frekvencija bežičnog senzora: 433,92 MHz
- Potrošnja energije: 18 mW (glavna jedinica), 24 mW (bežični odašiljač)
- Zidna vješalica / Stolni stalak
- Dimenzije uređaja: 81 x 26 x 93 mm
- Dimenzije LCD ekrana: 53 x 62 mm
- Neto težina uređaja: 0,073 kg
- Dimenzije senzora: 38 x 19 x 100 mm
- Neto težina senzora: 0,032 kg

Informații importante

- Instrucțiunile de operare și informațiile referitoare la siguranță trebuie păstrate în scopul folosirii lor în viitor.
- Nu permiteți ca pe dispozitiv să picure sau să se verse vreun lichid.
- Nu îl folosiți în locuri umede, cum ar fi de ex. sala de baie.
- Dispozitivul nu poate fi montat în următoarele locuri:
- Expus la lumina directă a soarelui sau în apropierea caloriferelor.
- Plasat deasupra unui alt dispozitiv stereofonic care emite căldură.
- Blocând ventilația sau într-un loc prăfuit.
- În locuri expuse la vibrații constante.
- În locuri cu umiditate ridicată.
- Nu așezați dispozitivul în apropierea lumânărilor sau a focului deschis.
- Dispozitivul poate fi folosit exclusiv în modul descris în instrucțiunile de mai jos.
- Înainte de prima pornire, asigurați-vă că sursa de alimentare este conectată în mod corespunzător.

Din motive de securitate, nu demontați carcasa și nu încercați să accesați interiorul dispozitivului. Dispozitivul trebuie reparat de personalul calificat din service.

Nu demontați și nu deschideți carcasa, deoarece în interior nu există elemente ce ar putea fi reparate de utilizator. De mentenanța și repararea echipamentului se ocupă exclusiv angajații calificați ai service-ului.

INSTRUCȚIUNI REFERITOARE LA SIGURANȚĂ

1. Citiți instrucțiunile – înainte de utilizarea dispozitivului, citiți în întregime instrucțiunile de utilizare, precum și informațiile referitoare la siguranță.
2. Urmați instrucțiunile – păstrați instrucțiunile de utilizare și operare în scopul folosirii lor în viitor.
3. Respectați avertismentele – procedați conform tuturor avertismentelor plasate pe dispozitiv, precum și conform instrucțiunilor de utilizare.
4. Urmați instrucțiunile – procedați conform instrucțiunilor de operare și indicațiilor pentru utilizator.
5. Instalare – setați dispozitivul conform instrucțiunilor producătorului.
6. Surse de alimentare – dispozitivul trebuie alimentat exclusiv de la surse cu parametrii indicați în marcasele de pe cablul de alimentare. Dacă utilizatorul nu este sigur de tipul de alimentare de care dispune acasă, trebuie să contacteze vânzătorul dispozitivului sau furnizorul local de energie electrică.
7. Apă și umezeală – pentru a reduce riscul de incendiu sau

electrocutare, nu expuneți dispozitivul la ploaie, apă și umiditate directă, ca de ex. în saună sau baie. Nu folosiți dispozitivul în apropierea apei, de exemplu lângă cadă, lavoar, chiuveta de bucătărie, într-o pivniță umedă sau în apropierea unei piscine (sau în locuri similare).

8. Obiecte și lichide în dispozitiv – nu trebuie forțate niciun fel de obiecte prin deschiderile dispozitivului, deoarece acestea pot să intre în contact cu punctele de tensiune periculoasă și cu componentele, ceea ce poate provoca incendiu sau electrocutare. În niciun caz nu vărsați niciun fel de lichide pe suprafața dispozitivului. Nu puneți pe suprafața dispozitivului obiecte ce conțin lichide.

9. Servisare – nu încercați să serviți singur dispozitivul. Deschiderea capacului poate duce la contactul cu o tensiune periculoasă și poate expune utilizatorul la alte pericole. De mentenanța și repararea echipamentului se ocupă exclusiv angajații calificați ai service-ului.

10. Piese de schimb – la înlocuirea pieselor, trebuie verificat dacă angajatul service-ului a folosit piesele de schimb recomandate de producător sau dacă aceste piese sunt identice cu cele originale. Înlocuirea cu piese neaprobate poate duce la incendii, electrocutare sau alte pericole.

11. Temperatura maximă ambiantă pentru dispozitiv este de 35°C.

12. Instrucțiunile referitoare la descărcările electrostatice – dacă funcționarea dispozitivului este perturbată de descărcări electrostatice, acesta trebuie oprit și repornit sau mutat în alt loc.

13. Bateria

a. Bateriile nu pot fi expuse la căldură excesivă, cum ar fi razele de soare, foc, ș.a.

b. Când aruncați bateriile, acordați atenție aspectelor legate de protecția mediului.

c. Avertisment referitor la folosirea bateriei: pentru a nu permite pierderea etanșeității bateriei, ceea ce poate provoca vătămări corporale sau deteriorare a dispozitivului:

- În timpul introducerii bateriei, respectați polaritatea acesteia (+ și -).
- Nu folosiți în același timp baterii diferite — vechi și noi, baterii standard și alcaline, ș.a.
- Scoateți bateriile din dispozitiv, atunci când acesta nu este folosit pentru o perioadă mai lungă.

ATENȚIE

Dispozitivul nu trebuie folosit de persoanele (inclusiv copiii) cu capacități fizice, senzoriale sau mentale reduse, precum și de persoanele cu cunoștințe și experiență insuficiente, în cazul în care nu se află sub supravegherea unei persoane responsabile pentru siguranța lor și nu au fost instruite cum să folosească dispozitivul în condiții de

siguranță. Prezența persoanelor adulte este necesară, dacă dispozitivul este folosit de copii; aceasta va permite o folosire în condiții de siguranță a dispozitivului.

1. Nu lăsați dispozitivul nesupravegheat în timpul funcționării! Dispozitivul trebuie închis când nu este folosit, chiar și pentru o perioadă scurtă de timp.
2. Dispozitivul nu poate fi folosit prin intermediul unui temporizator extern și nici cu ajutorul unui sistem separat cu comandă de la distanță.
3. Pentru evitarea pericolului în cazul deteriorării cablului de alimentare, înlocuirea trebuie efectuată de producător, de punctul autorizat de service sau de o altă persoană calificată în acest sens.
4. Înainte de a începe deservirea dispozitivului, trebuie verificat dacă tensiunea acestuia corespunde tensiunii din rețeaua locală de alimentare.
5. Pentru a evita incendiile sau electrocutarea, dispozitivul trebuie protejat împotriva locurilor fierbinți, ploii, umezelii și prafului.
6. Nu expuneți dispozitivul la câmpuri magnetice puternice.
7. Nu așezați dispozitivul direct pe amplificator sau amplituner.
8. Nu așezați dispozitivul într-un loc umed, deoarece umiditatea are efect dăunător asupra componentelor electrice.
9. După mutarea dispozitivului dintr-un loc rece către un loc cald sau un loc umed, se poate forma condens pe lentila din interiorul playerului. În această situație dispozitivul nu va funcționa corect. Lăsați dispozitivul să funcționeze aproximativ o oră pentru a permite evaporarea umidității.
10. Nu curățați dispozitivul cu solvenți chimici, deoarece aceștia pot distruge lacul carcasei. Dispozitivul se curăță cu o cârpă curată, uscată sau ușor umezită.

ATENȚIE



Declarație

Prin prezenta Blaupunkt Competence Center 2N-Everpol Sp. z o.o. [SRL] declara că acest dispozitiv este în conformitate cu cerințele și alte dispoziții corespunzătoare ale directivei 2014/53 / UE. Declarația completă de conformitate poate fi obținută pe pagina www.blaupunkt.com în secția produsului.

Entitate responsabilă: 2N-Everpol Sp. Z o.o.

Puławska 403A, 02-801 Varșovia, Polonia

Telefon: +48 22 688 08 00, e-mail: info@everpol.pl



Produsul a fost realizat din materiale și componente de înaltă calitate, ce pot fi reciclate și reutilizate.



Dacă pe dispozitiv se află semnul coșului de gunoi tăiat, aceasta înseamnă că produsul se înscrie în dispozițiile directivei europene 2012/19/EU. Trebuie citite cerințele referitoare la sistemul local de colectare a deșeurilor electrice și electronice. Respectați reglementările locale. Nu aruncați acest produs împreună cu deșeurile menajere obișnuite. Eliminarea corectă a produsului vechi va preveni potențialele consecințe negative pentru mediu și sănătatea umană.



Dispozitivul este echipat cu baterii care fac obiectul directivei europene 2006/66/EC. Bateriile nu pot fi aruncate împreună cu deșeurile menajere. Consultați reglementările locale privind colectarea separată a bateriilor, deoarece eliminarea corectă va împiedica potențialele consecințe negative pentru mediul natural și sănătatea umană.

Informații privind protecția mediului înconjurător

Ambalajul conține doar elementele necesare. S-au făcut toate eforturile ca cele trei materiale componente ale ambalajului să fie ușor de separat: cutia de carton (cutia), spuma de polistiren (protecție interioară) și polietilena (pungi, folie protectoare). Dispozitivul a fost produs din materiale ce pot fi reciclate și reutilizate după demontarea lor de către o firmă specializată. Trebuie respectate reglementările locale referitoare la eliminarea materialelor de ambalare, bateriilor folosite și a echipamentelor inutile.

Înregistrarea și redarea materialelor poate necesita obținerea unei

autorizații. Consultați legea referitoare la drepturile de autor și drepturile executanților / artiștilor.

Remarcă referitoare la ERP2 (dispozitive legate de energie)

Prezentul dispozitiv cu ecoproiect îndeplinește cerințele etapei 2 din Regulamentul Comisiei (CE) nr 1275/2008 care introduce directiva 2009/125/CE referitoare la consumul de energie al dispozitivelor electronice de birou și de uz casnic, închise sau aflate în regim de stand by.

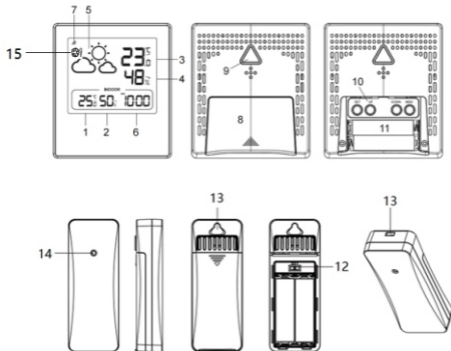
Vă mulțumim pentru achiziționarea stației noastre meteo. Acest model are următoarele funcții.

Funcții

- Prognoză meteo: însorit, parțial înnorat, înnorat, ploaie, zăpadă.
- Indicator al punctului de îngheț.
- Temperatura din interior / exterior.
- Umiditate în interior / exterior.
- Memoria valorilor minime și maxime ale măsurătorilor temperaturii și umidității din interior și exterior.
- Mod ceas 12/24 ore.
- Senzor de temperatură și umiditate extern, wireless.

Vă rugăm să citiți aceste instrucțiuni înainte de a porni acest dispozitiv. Păstrați instrucțiunile pentru a le putea folosi în viitor.

Afișaj și comenzi



1. Temperatura din interior / tendință
2. Umiditatea din interior / tendință
3. Temperatura din exterior / tendință
4. Umiditatea din exterior / tendință
5. Prognoză meteo animată
6. Ceas
7. Indicator de recepție a semnalului de la senzorul extern
8. Capacul compartimentului pentru baterii
9. Orificiu de montaj pentru agățare
10. Butoane de reglare: setare (SET)/în sus (Up)/în jos (DOWN)/memorie (MEM);
11. Compartiment baterii
12. Comutator al canalului senzorului
13. Orificii de montaj pentru agățare
14. Indicator senzor
15. Indicator al punctului de îngheț


Instalare

Deschideți compartimentului pentru baterii. Introduceți 2 baterii AAA în stația meteo, apoi introduceți 2 baterii AA în senzorul extern respectând polaritatea indicată în compartimentul pentru baterii. (Bateriile sunt incluse)

Pentru a obține cea mai bună performanță a produsului, vă recomandăm să utilizați baterii alcaline de înaltă calitate. Nu se recomandă baterii de tipul „Heavy duty” sau acumulatori. Afișajul stației meteo se va opri atunci când bateria este descărcată. (Timp de lucru aproximativ pe baterie nouă: 6 luni pentru stația meteo, 12 luni pentru senzorul wireless extern. Timpul de lucru este doar estimativ și depinde de mulți factori, cum ar fi tipul de baterii utilizate, producătorul, condițiile de lucru etc.)

Primirea semnalului de la un senzor wireless extern

Când bateria este instalată corect, stația meteo detectează și primește automat un semnal de la măsurarea temperaturii și umidității exterioare de la un senzor wireless extern. Recuperarea semnalului va dura maxim 3 minute. În timpul căutării, indicatorul de recepție a

semnalului senzorului wireless  va pâlpâi și se va stabiliza atunci când semnalul este recepționat cu succes. Dacă stația nu primește semnal de la un senzor extern, indicatorul de recepție a semnalului va dispărea după 3 minute iar pe afișaj va apărea următorul simbol în locul datelor de temperatură și umiditate externă: „- -”. Pentru a reactiva căutarea semnalului de la senzorul extern, apăsați și mențineți apăsat butonul „în sus” timp de 3 secunde.

Amplasarea dispozitivului și alte observații:

1. Această stație meteo acceptă doar 1 senzor wireless extern. Dacă senzorul are un comutator de canal, setați-l întotdeauna pe canalul „1” (* Senzorul poate fi compatibil cu alte modele care acceptă 3 canale)
2. Vă rugăm să amplasați și să utilizați stația meteo și un senzor extern la 1,5~2 metri de sursele de interferență, cum ar fi monitoare de computer sau televizoare. Stația meteo trebuie, de asemenea, să fie amplasată departe de ferestre cu rame metalice.
3. Nu utilizați alte produse electronice, cum ar fi căștile sau difuzoarele, care funcționează la aceeași frecvență a semnalului (433,92 MHz), deoarece acestea pot provoca interferențe. Vă rugăm să rețineți că, dacă vecinii dvs. utilizează dispozitive electronice care funcționează la aceeași frecvență a semnalului (433,92 MHz), acestea pot provoca, de asemenea, interferențe în funcționarea corectă.
4. Pentru a asigura măsurarea precisă a temperaturii interioare, așezați stația meteo într-un loc uscat, fără murdărie și praf. Alegeți un loc departe de lumina directă a soarelui și de alte surse de căldură, precum și de orificiile de ventilație.
5. Senzorul wireless poate fi instalat în aer liber. Pentru cea mai bună precizie posibilă a măsurătorii, așezați senzorul în poziție verticală, la cel puțin 1,5 ~ 2 metri de sol, într-un loc protejat de ploaie și cu o bună circulație a aerului. Nu expuneți senzorul la lumina directă a soarelui pentru perioade lungi de timp.
6. Distanța maximă de lucru a senzorului fără fir este de 80 de metri de stația meteo, fără nici un obstacol între ele.
7. Semnalul de la senzorul wireless este transmis la stație la fiecare 114 secunde.

Setarea ceasului

Apăsăți și mențineți apăsat butonul de setare (SET) timp de 3 secunde și afișajul va clipi: 12/24H, apăsați butonul în sus (UP) sau în jos (DOWN) pentru a selecta formatul orei – 12 sau 24 de ore; apăsați butonul set pentru a confirma selecția și treceți la setarea orei, apăsați butonul în sus (UP) sau în jos (DOWN) pentru a seta ora; apăsați din nou butonul de setare (SET) pentru a confirma selecția și mergeți la setarea minutelor – procedura este aceeași ca pentru setarea timpului; apăsați din nou butonul de setare (SET) pentru a confirma selecția și a finaliza setarea ceasului. (Apăsăți și mențineți apăsat butonul în sus (UP) sau în jos (DOWN) pentru a accelera reglarea.)

Temperatura și umiditatea

1. Intervalul de măsurare a temperaturii interioare: -10 ~ +50 °C / 14 ~ 122 °F .
2. Intervalul de măsurare a temperaturii exterioare: -30 ~ +60 °C / -22 ~ 140 °F .

Notă: LL.L °C sau HH.H °C vor apărea pe afișaj atunci când valoarea măsurată a temperaturii este în afara intervalului de mai sus

3. Intervalul de măsurare a umidității din interior și exterior: 1%-99%

Notă: LL% sau HH% vor apărea pe afișaj atunci când valoarea măsurată a umidității se află în afara intervalului de mai sus

4. Exactitatea de măsurare a temperaturii > ±1,0°C în intervalul de la 0 °C la +50°C / 32°F ~ 104°F .

±1,5°C în afara intervalului de mai sus.

5. Precizia de măsurare a umidității: ±5% (interval de la 40 la 70%), ±8% în afara intervalului

6. Apăsați butonul de Memorie (MEM) pentru a verifica valorile de măsurare maxime și minime, apăsați și mențineți apăsat butonul de Memorie (MEM) pentru a șterge manual aceste date. (Notă: Valorile de măsurare maxime și minime vor fi șterse automat la ora 00:00 în fiecare zi).

7. Apăsați butonul în jos DOWN pentru a schimba unitatea de temperatură: de la °C (grade Celsius) la °F (grade Fahrenheit).

Tendință de temperatură

O săgeată în apropierea datelor de temperatură indică tendința de temperatură. Direcția sa se schimbă în funcție de faptul dacă ultima citire a temperaturii este mai mare sau mai mică decât valorile anterioare.

Săgeată îndreptată în sus = temperatura a crescut cu 1 °C în ultima oră.

Nici o săgeată = temperatura s-a modificat cu mai puțin de 1 °C în ultima oră.

Săgeată îndreptată în jos = temperatura a scăzut cu 1 °C în ultima oră.

Tendință de umiditate

O săgeată lângă datele de umiditate indică tendința de umiditate.

Direcția sa se schimbă în funcție de faptul dacă ultima citire a umidității este mai mare sau mai mică decât valorile anterioare.

Săgeata îndreptată în sus = umiditatea a crescut cu 5% în ultima oră.

Nici o săgeată = umiditatea nu s-a modificat în ultima oră.

Săgeata îndreptată în jos = umiditatea a scăzut cu 5% în ultima oră.

Prognoză meteo animată

Prognoza meteo se bazează pe datele de temperatură și umiditate pe oră colectate de la senzorul extern. Stația prognozează condițiile meteo pentru următoarele 12 ore cu o acuratețe de 70-75%.

Pictograma de prognoză meteo implicită este setată la „acoperire parțială cu nori”, stația meteorologică va calibra automat prognoza meteo în primele 1-2 săptămâni de funcționare pe baza datelor de temperatură și umiditate de la senzorul extern.

Senzorul wireless trebuie amplasat în aer liber pentru a obține date exacte privind temperatura și umiditatea, în caz contrar, precizia prognozei meteo va fi afectată.

Prognoza meteo va apărea într-una din următoarele combinații:



ÎNSORIT PARȚIAL ÎNNORAT ÎNNORAT PLOAIE ZĂPADĂ

Vă rugăm să rețineți că dispozitivul prezice vremea pe baza unor parametri limitați și poate diferi de prognozele meteorologice oficiale, care sunt calculate pe baza unor algoritmi avansați.

Indicator al punctului de îngheț

Când temperatura din exterior scade sub 3°C/34°F, acest simbol va apărea pe afișaj, iar stația va emite un semnal de avertizare.



Soluționarea problemelor

Lipsa informațiilor pe afișaj	<ul style="list-style-type: none"> ◇ Verificați dacă bateriile sunt instalate corect în aparat.
Temperatura de la senzorul din exterior nu este afișată.	<ul style="list-style-type: none"> ◇ Verificați dacă distanța dintre stație și senzor nu depășește 30 m (recomandat) ◇ Asigurați-vă că stația și senzorul sunt la cel puțin 2 m distanță de monitoare și televizoare. ◇ Evitați plasarea dispozitivelor pe sau în apropierea ramelor metalice ale ferestrelor. ◇ Evitați utilizarea stațiilor în apropierea dispozitivelor electronice, cum ar fi difuzoarele care funcționează la aceeași frecvență (433 MHz). ◇ Scoateți bateriile, așteptați un moment și apoi reintroduceți-le.
Temperatura afișată este incorectă.	<ul style="list-style-type: none"> ◇ Scoateți bateriile, așteptați un moment și apoi reintroduceți-le. ◇ Asigurați-vă că stația sau senzorul nu sunt afectate de surse de căldură, aparate de aer condiționat etc. Sau senzorul este amplasat într-un loc expus la lumina directă a soarelui.

Specificație:

- Afișare temperatură din interior/exterior
- Afișarea umidității din interior/exterior
- Indicator al tendinței de temperatură/umiditate
- Prognoza meteo pentru următoarele 12-24 de ore
- Indicator al punctului de îngheț
- Ceas (format 12/24 ore)
- Senzor wireless extern (1 buc. inclus)
- Afișaj LCD
- Sursă de alimentare unitate principală: 2 baterii x 1,5 V (dimensiune AAA, incluse)
- Sursă de alimentare senzor wireless extern: 2 baterii x 1,5 V (dimensiune AA, incluse)
- Frecvența de funcționare a senzorului fără fir: 433,92 MHz
- Pobór mocy: 18 mW (unitate principală), 24 mW (transmițător wireless)
- Cârlig de suspendare pe perete/Suport pentru masă
- Dimensiuni dispozitiv: 81 x 26 x 93 mm
- Dimensiuni afișaj LCD: 53 x 62 mm
- Greutate netă a dispozitivului: 0,073 kg
- Dimensiuni senzor: 38 x 19 x 100 mm
- Greutate netă senzor: 0,032 kg

Важна информация

- Запазете инструкцията за ползване, както и информацията за безопасност, с цел използване в бъдеще.
- Да не се допуска прокапване или протичане на течност върху устройството.
- Също да не се използва на влажни места като например в баня.
- Да не се инсталира това устройство на следните места:
- Изложени на непосредствено действие на слънчеви лъчи или близо до радиатори.
- Да не се поставя на повърхността на друго стереофонично оборудване, което отделя топлина.
- Ако ще блокира вентилация или в прашно помещение.
- На места, изложени на постоянна вибрация.
- На места с висока влажност.
- Да не се поставя устройството близо до свещи или открит огън.
- Устройството може да се използва единствено по начина, описан в настоящата инструкция.
- Преди първото включване на захранването трябва да се уверите, че зарядното устройство е включено правилно.

От съображения за сигурност да не се демонтират конструкциите, както и да не се осигурява достъп до вътрешността на устройството. Забранено е отвъртането на устройството, както и отварянето на неговата конструкция, тъй като вътре няма части, които биха могли да бъдат поправени от потребителя. С обслужването и поправката на оборудването се занимават единствено квалифицирани служители на сервиза.

ИНСТРУКЦИИ ЗА БЕЗОПАСНОСТ

1. Прочетете инструкцията – преди употреба прочетете цялата инструкция за обслужване, както и информацията за безопасност.
2. Запазете инструкцията – запазете инструкцията за употреба и обслужване с цел по-нататъшно използване.
3. Спазвайте предупрежденията – постъпвайте съгласно с всички предупреждения, поместени на устройството и съгласно с инструкцията за употреба.
4. Спазвайте инструкциите – постъпвайте съгласно инструкцията за употреба и насоките за потребителя.
5. Инсталация - настройвайте устройството в съответствие с инструкциите на производителя.
6. Източници на захранване - захранвайте устройството само от източници с параметри, посочени на захранващия кабел. Ако не сте сигурни каква енергия имате вкъщи, трябва да се свържете с продавача на устройството или местния доставчик на електрическа

енергия.

7. Вода и влага - За да намалите риска от пожар или токов удар, не излагайте устройството на пряк дъжд, вода или влага, например в сауната или в банята. Не използвайте това устройство близо до вода като вана, мивка, кухненска мивка или вана, в мокро помещение или в близост до плувен басейн (или на подобни места).

8. Предмети и течности в устройството - не вкарвайте предмети през отворите на устройството, тъй като могат да влязат в контакт с опасни точки и компоненти на напрежение, което може да доведе до пожар или токов удар. При никакви обстоятелства не трябва да разливате течности по повърхността на устройството. Не поставяйте върху устройството предмети, съдържащи течности.

9. Обслужване - не се опитвайте самостоятелно да правите преглед на устройството. Отварянето на капака може да доведе до опасно напрежение и да изложи потребителя на други опасности. С консервация и ремонтване на оборудването се занимават единствено квалифицирани служители на сервиза.

10. Резервни части - при подмяна на части се уверете, че техникът е използвал препоръчаните от производителя резервни части или също, че частите са идентични с оригиналните. Подмяната с неодобренни части може да доведе до пожар, токов удар или други опасности.

11. Максималната температура на околната среда на устройството е 35 °C.

12. Инструкции за електростатично разреждане - ако работата на устройството е прекъсната от електростатичен разряд, изключете уреда и повторно включете устройството или го преместете на друго място.

13. Батерия

а. Не излагайте батериите на прекомерна топлина като например слънчеви лъчи, огън и др.

б. Когато използвате батериите, обърнете внимание на изискванията за опазване на околната среда.

в. Предупреждение за използване на батерията: За да не се стигне до изтичане на батерията, което може да доведе до нараняване или повреда на устройството:

- При поставяне на батерията, обърнете внимание на нейните полюси (+ и -)
- Не използвайте едновременно различни батерии - стари и нови, стандартни и алкални и др.
- Извадете батериите от устройството, ако няма да го използвате за по-дълъг период от време.

ВНИМАНИЕ

Устройството не трябва да се използва от хора (включително деца) с намалени физически, сензорни или психически способности и лица с недостатъчни познания и опит, освен ако не са под наблюдението на лице, отговорно за тяхната безопасност и не са инструктирани как безопасно да използват устройството. Необходимо е присъствие на възрастни, ако устройството се използва от деца; това ще осигури безопасно използване на устройството.

1. Не оставяйте устройството без надзор! Изключвайте устройството, когато не го използвате, дори и за кратко време.
2. Не включвайте устройството чрез външен часовник, нито чрез отделна система за дистанционно управление.
3. За да избегнете опасност при повреда на хранящия кабел, подмяната трябва да се извърши от производителя, от упълномощен сервизен център или от друго квалифицирано лице.
4. Преди да използвате уреда се уверете, че напрежението му съответства на напрежението на местното храняване.
5. За да избегнете пожар или токов удар, предпазвайте устройството от горещи места, дъжд, влага и прах.
6. Не излагайте устройството на силни магнитни полета.
7. Не поставяйте устройството директно върху усилвателя или приемника.
8. Не поставяйте устройството на влажно място, тъй като влагата има вреден ефект върху електрическите компоненти.
9. При внасяне на устройството от студено на топло или на влажно място, може да се образува конденз върху обектива вътре в плейъра. В този случай устройството няма да работи правилно. Оставете включения уред в продължение на около един час, за да може влагата да се изпари.
10. Не почиствайте устройството с химически разтворители, тъй като те могат да повредят лаковото покритие на конструкцията. Избършете устройството с чиста, суха или леко влажна кърпа.

ВНИМАНИЕ



Декларация

С настоящото Blaupunkt Competence Center 2N-Everpol Sp. z o.o. декларира, че това устройство отговаря на изискванията и други приложими разпоредби на Директива 2014/53 / на ЕС. Пълната декларация за съответствие може да бъде намерена на www.blaupunkt.com в раздела за продукти.

Отговорно лице: 2N-Everpol Sp. Z o.o.

Puławska 403A, 02-801 Warszawa, Polska

Телефон: +48 22 688 08 00, e-mail: info@everpol.pl



Продуктът е произведен от висококачествени материали и компоненти, които могат да бъдат рециклирани и повторно използвани.



Ако на устройството има знак със задраскано кошче за отпадъци, това означава, че продуктът е обхванат от Европейската директива 2012/19 / EU. Запознайте се с изискванията на местната система за събиране на електрически и електронни отпадъци. Следвайте местните разпоредби. Не изхвърляйте този продукт заедно с обикновените битови отпадъци. Правилното изхвърляне на стария продукт ще предотврати потенциални негативни последствия за околната среда и човешкото здраве.



Устройството е оборудвано с с батерии, които са част от европейска директива 2006/66/ЕС. Не изхвърляйте батериите заедно с битови отпадъци. Запознайте се с изискванията на местната система за събиране на батерии, тъй като правилната употреба на стария продукт ще предотврати потенциални негативни последствия за околната среда и човешкото здраве.

Информация за опазване на околната среда

Пакетът съдържа само необходимите елементи. Положени са всички усилия, за да се гарантира, че трите компонента на опаковката са лесни за разделяне: картонена кутия, полистиролова пяна (вътрешна защита) и полиетилен (торбички, защитен лист). Устройството е изработено от материали, които могат да бъдат рециклирани и повторно използвани, след като се демонтират от специализирана фирма. Спазвайте местните разпоредби за изхвърляне на опаковъчни материали, отпадъчни батерии и ненужно оборудване.

Записването и възпроизвеждането на материали може да изисква съгласие. Вижте Закона за авторските права и правата на изпълнителите/ артистите.

Забележка относно ERP2 (на устройства, свързани с енергопотребление)

Настоящото устройство с екопроекта отговаря на изискванията на етап 2 от Регламента на Комисията (ЕО) № 1275/2008 за прилагане на Директива 2009/125 / ЕО относно консумацията на енергия от електроуреди за офиса и дома.

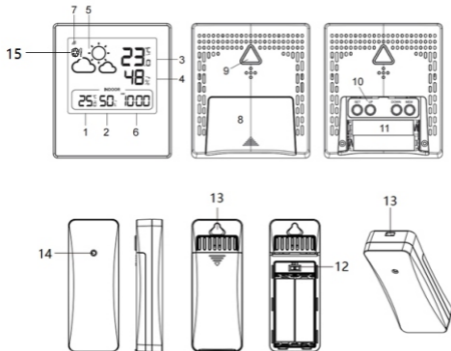
Благодарим за покупката на нашата метеорологична станция. Този модел има следните функции.

Функции

- Прогноза за времето: слънчево, частично облачно, облачно, дъжд, сняг.
- Индикатор за точката на замръзване.
- Вътрешна / външна температура.
- Вътрешна / външна влажност.
- Памет на минималните и максималните стойности на измервания на вътрешната и външната температура и влажност.
- 12/24-часов формат на часовника.
- Външен, безжичен сензор за температура и влажност.

Моля, прочетете внимателно тази инструкция и се запознайте с нея преди да пуснете устройството. Моля, съхранете инструкцията за използване в бъдещето.

Дисплей и управляващи елементи



1. Вътрешна температура/ тенденция
2. Вътрешна влажност/ тенденция
3. Външна температура/ тенденция
4. Външна влажност/ тенденция
5. Анимирана прогноза за времето
6. Часовник
7. Индикатор за приемане на сигнал от външния сензор
8. Капак на гнездото за батерии
9. Монтажен отвор за окачване
10. Бутони за регулация: настройки (SET)/нагоре (UP)/надолу (DOWN)/памет (MEM);
11. Гнездо за батерии
12. Превключвател на канали на сензорите
13. Монтажни отвори за окачване
14. Контролна лампичка на сензора
15. Индикатор за точката на замръзване


Инсталация

Отворете капака на гнездото за батериите. Поставете 2 батерии тип AAA в метеорологичната станция, след което поставете 2 батерии тип AA във външния датчик според полярността, показана в гнездото. (Батериите са включени в комплекта)

За да получите най-добрата производителност на продукта, препоръчваме използването на висококачествени алкални батерии. Не се препоръчват батерии тип „Heavy Duty“ или акумулатори. Дисплеят на метеорологичната станция ще се изключи при разреждане на батериите. (Приблизително работно време с нова батерия: 6 месеца за метеорологичната станция, 12 месеца за външния безжичен сензор. Даденото работно време е само приблизително и зависи от много фактори, като, например, вид на използваните батерии, производител, работни условия и др.)

Приемане на сигнал от външния безжичен сензор

Когато батерията е инсталирана правилно, метеорологичната станция автоматично открива и приема сигнал от измерване на външната температура и влажност от външния безжичен сензор. Търсенето на сигнала ще отнеме максимум 3 минути. По време на търсенето индикаторът за приемане на сигнал от безжичния

сензор  ще мига и ще се стабилизира, когато сигналът бъде успешно приет. Ако станцията не приеме сигнал от външния сензор, индикаторът за приемане на сигнала ще изчезне след 3 минути и на дисплея вместо данните за външната температура и влажност ще се покаже следният символ: „-“. За да активирате отново търсенето на сигнала от външния сензор, натиснете и задръжте бутона „нагоре“ за 3 секунди.

Поставяне на устройството и други забележки:

1. Тази метеорологична станция поддържа само 1 външен безжичен сензор. Ако сензорът има превключвател на каналите, винаги го поставяйте в положение канал „1“ (* Сензорът може да бъде съвместим с други модели, които поддържат 3 канала)
2. Моля, поставете и използвайте метеорологичната станция и външния сензор на разстояние от 1.5~2 метра от източници на смущения, като например компютърни дисплеи или телевизори. Метеостанцията също трябва да бъде поставена далече от прозорци с метални рамки.
3. Не използвайте други електронни продукти, като например слушалки или високоговорители, работещи със същата честота на сигнала (433.92 MHz), тъй като те могат да причиняват смущения. Помнете, че ако съседите ви използват електронни устройства, работещи със същата честота на сигнала (433.92 MHz), те също могат да причинят смущения в правилната работа.
4. За да осигурите точно измерване на вътрешната температура, поставете метеорологичната станция на сухо място, без замърсявания и прах. Изберете място далече от пряко въздействие на слънчевата светлина и други източници на топлина, както и далече от вентилационни отвори.
5. Безжичният сензор може да бъде инсталиран на открито. За възможно най-добрата точност на измерването поставете сензора във вертикално положение, най-малко на височина от 1,5 ~ 2 метра от земята, на място, защитено от дъжд и с добра циркулация на въздуха. Не излагайте сензора на пряко въздействие на слънчевата светлина за продължително време.
6. Максималното работно разстояние на безжичния сензор е 80 метра от метеорологичната станция, без препятствия между тях.
7. Сигналът от безжичния сензор се изпраща до станцията на всеки 114 секунди.

Настройка на часовника

Натиснете и задръжте бутона за настройка (SET) за 3 секунди и на дисплея ще се появи мигащата информация: 12/24H, натиснете бутона нагоре (UP) или надолу (DOWN), за да изберете формат на времето – 12 или 24 часа; натиснете бутона за настройка (SET), за да потвърдите избора и да преминете към настройката на часовете, натиснете бутона нагоре (UP) или надолу (DOWN), за да зададете часа; отново натиснете бутона за настройка (SET), за да потвърдите избора и да преминете към настройката на минути – процедурата е същата, както и при настройката на часа; натиснете бутона за настройка (SET) отново, за да потвърдите избора и да завършите

настройката на часовника. (Натиснете и задръжте бутона нагоре (UP) или надолу (DOWN), за да ускорите настройката.)

Температура и влажност

1. Диапазон на измерване на вътрешната температура: $-10 \sim +50 \text{ } ^\circ\text{C}$ / $14 \sim 122 \text{ } ^\circ\text{F}$.

2. Диапазон на измерване на външната температура: $-30 \sim +60 \text{ } ^\circ\text{C}$ / $-22 \sim 140 \text{ } ^\circ\text{F}$.

Забележка: L.L.L.L.L.L.L.H.H.H.H. ще се появи на дисплея, когато измерената температурна стойност е извън горепосочения диапазон

3. Диапазон на измерване на вътрешната и външната влажност: 1%-99%

Забележка: LL% или HH% ще се появи на дисплея, когато измерената стойност на влажността е извън горепосочения диапазон

4. Точност на измерване на температурата: $\pm 1,0 \text{ } ^\circ\text{C}$ в диапазона от $0 \text{ } ^\circ\text{C}$ до $+50 \text{ } ^\circ\text{C}$ / $32 \text{ } ^\circ\text{F}$ $\sim 104 \text{ } ^\circ\text{F}$.

$\pm 1,5 \text{ } ^\circ\text{C}$ извън горепосочения диапазон.

5. Точност на измерване на влажността: $\pm 5\%$ (в диапазона от 40 до 70%), $\pm 8\%$ извън диапазона

6. Натиснете бутона Memory (MEM), за да проверите максималните и минималните стойности на измерване, натиснете и задръжте бутона Memory (MEM), за да изтриете ръчно тези данни.

(Забележка: Максималните и минималните стойности на измерванията ще бъдат автоматично изтривани в 00:00 часа всеки ден).

7. Натиснете бутона надолу (DOWN), за да промените температурната единица: от $^\circ\text{C}$ (градуси по Целзий) на $^\circ\text{F}$ (градуси по Фаренгейт).

Тенденция на температурата

Стрелка близо до температурните данни показва температурната тенденция. Посоката ѝ се променя в зависимост от това дали последното отчитане на температурата е по - високо или по - ниско от предишните отчитания.

Стрелка, сочеща нагоре = температурата се е повишила с $1 \text{ } ^\circ\text{C}$ през последния час.

Няма стрелка = температурата се е променила с по - малко от $1 \text{ } ^\circ\text{C}$ през последния час.

Стрелка, сочеща надолу = температурата е спаднала с $1 \text{ } ^\circ\text{C}$ през последния час.

Тенденция на влажността

Стрелка близо до данните за влажността показва тенденцията на влажност. Посоката ѝ се променя в зависимост от това дали последното отчитане на влажността е по - високо или по - ниско от предишните отчитания.

Стрелката сочи нагоре = влажността се е увеличила с 5% през последния час.

Няма стрелка = влажността не се е променила през последния час.

Стрелката сочи надолу = влажността е спаднала с 5% през последния час.

Анимирана прогноза за времето

Прогнозата за времето се основава върху събраните почасови данни за температурата и влагата от външния сензор. Станцията прогнозира метеорологичните условия за следващите 12 часа с точност 70 -75%. Иконата по подразбиране за прогнозата за времето се задава като „частично облачно покритие“, метеорологичната станция автоматично ще калибрира прогнозата за времето през първите 1 -2 седмици от експлоатация въз основа на данните за температурата и влажността от външния сензор. Безжичният сензор трябва да бъде поставен на открито, за да се получат точни данни за температурата и влажността, в противен случай точността на прогнозата за времето ще бъде засегната. Прогнозата за времето ще се появи в една от следните комбинации:



СЛЪНЧЕВО



ЧАСТИЧНО ОБЛАЧНО



ОБЛАЧНО



ДЪЖД



СНЯГ

Моля, имайте предвид, че устройството прогнозира времето въз основа на ограничени параметри и прогнозата може да се различава от официалните прогнози за времето, които се изчисляват въз основа на усъвършенствани алгоритми.

Индикатор за точката на замръзване

Когато външната температура падне под 3°C/34°F, този символ ще се появи на дисплея ❄️ и станцията ще излъчи предупредителен сигнал.

Решаване на проблеми

Липса на информация на дисплея	<ul style="list-style-type: none"> ✧ Проверете дали батериите са правилно монтирани в уреда.
Температурата от външния сензор не се показва.	<ul style="list-style-type: none"> ✧ Проверете дали разстоянието между станцията и сензора не надвишава 30 m (препоръчително) ✧ Уверете се, че станцията и сензорът се намират на разстояние най - малко 2 m от мониторите и телевизорите. ✧ Избягвайте поставяне на устройствата върху или близо до метални рами на прозорци. ✧ Избягвайте да използвате станцията близо до електронни устройства, като, например, високоговорители, които работят с една и съща честота (433 MHz). ✧ Извадете батериите, изчакайте малко и след това ги поставете отново.
Показаната температура е неправилна.	<ul style="list-style-type: none"> ✧ Извадете батериите, изчакайте малко и след това ги поставете отново. ✧ Уверете се, че станцията или сензорът не са засегнати от източници на топлина, климатици и др. или сензорът е разположен на мястото, изложено на пряко въздействие на слънчевата светлина.

Спецификация:

- Показване на вътрешната/външната температура
- Показване на вътрешната/външната влажност
- Индикация на тенденция на температурата/влажността
- Прогноза за времето за следващите 12 -24 часа
- Индикатор за точката на замръзване
- Часовник (12/24 - часов формат)
- Безжичен външен сензор (1 бр. е включен в комплекта)
- LCD дисплей
- Източник на хранване на основния агрегат: 2 x 1,5V батерии (размер AAA, включени в комплекта)
- Източник на хранване на външния безжичен сензор: 2 x 1,5 V батерии (размер AA, включени в комплекта)
- Работна честота на безжичния сензор: 433,92 MHz
- Консумация на мощност: 18 mW (основен агрегат), 24 mW (безжичен предавател)
- Стенна закачалка/ стойка за маса
- Размери на устройството: 81 x 26 x 93 mm
- Размери на LCD дисплея: 53 x 62 mm
- Нетно тегло на устройството: 0,073 kg
- Размери на сензора: 38 x 19 x 100 mm
- Нетно тегло на сензора: 0,032 kg

Σημαντικές πληροφορίες

- Πρέπει να κρατήσετε τις οδηγίες χρήσης και τις πληροφορίες σχετικά με την ασφάλεια με σκοπό τη μελλοντική χρήση τους.
- Μην επιτρέψετε κανένα υγρό να στάξει ή να χυθεί στη συσκευή.
- Δεν επιτρέπεται να χρησιμοποιήσετε τη συσκευή σε μέρη με υγρασία όπως π.χ. μπάνιο.
- Δεν επιτρέπεται να εγκαταστήσετε αυτή τη συσκευή στα ακόλουθα μέρη:
 - Μέρη εκτεθειμένα στην άμεση ακτινοβολία ή κοντά σε θερμάστρες.
 - Μην τοποθετείτε πάνω στη συσκευή άλλο εξοπλισμό στερεό που εκπέμπει θερμότητα.
 - Όπου μπλοκάρεται ο εξαερισμός ή σε μέρος με σκόνη.
 - Σε μέρη εκτεθειμένα σε συνεχείς δονήσεις.
 - Σε μέρη με μεγάλη υγρασία.
- Δεν επιτρέπεται να τοποθετήσετε τη συσκευή δίπλα σε κεριά και ανοιχτή φλόγα.
- Μπορείτε να χρησιμοποιήσετε τη συσκευή με τον τρόπο που περιγράφεται στις παρούσες οδηγίες χρήσης.
- Πριν από την πρώτη ενεργοποίηση, πρέπει να βεβαιωθείτε ότι το τροφοδοτικό είναι κατάλληλα συνδεδεμένο.

Για λόγους ασφαλείας δεν επιτρέπεται να αποσυναρμολογήσετε το περίβλημα ούτε να έχετε πρόσβαση στο μέσο της συσκευής. Η συσκευή πρέπει να επισκευαστεί από το εξειδικευμένο προσωπικό του σέρβις.

Δεν επιτρέπεται να ξεβιδώσετε τη συσκευή ούτε να ανοίξετε το περίβλημά της, γιατί μέσα δεν υπάρχουν εξαρτήματα που μπορεί να επισκευαστούν από τον χρήστη. Η συντήρηση και η επισκευή του εξοπλισμού εκτελείται αποκλειστικά από τους εξουσιοδοτημένους υπάλληλους σέρβις.

ΣΗΜΑΝΤΙΚΕΣ ΠΛΗΡΟΦΟΡΙΕΣ ΣΧΕΤΙΚΑ ΜΕ ΤΗΝ ΑΣΦΑΛΕΙΑ

1. Διαβάστε τις οδηγίες χρήσης – πριν χρησιμοποιήσετε τη συσκευή πρέπει να διαβάσετε όλες τις οδηγίες χρήσης και τις πληροφορίες για την ασφάλεια.
2. Φυλάξτε τις οδηγίες χρήσης – πρέπει να φυλάξετε τις οδηγίες χρήσης και χειρισμού με σκοπό να τις χρησιμοποιήσετε στο μέλλον.
3. Κολουθήστε τις προειδοποιήσεις – πρέπει να ακολουθήσετε όλες τις προειδοποιήσεις που είναι τοποθετημένες πάνω στη συσκευή και να ακολουθήσετε τις οδηγίες χρήσης.
4. Ακολουθήστε τις οδηγίες χρήσης – πρέπει να ακολουθήσετε τις οδηγίες χρήσης και τις συμβουλές για τον χρήστη.
5. Εγκατάσταση – πρέπει να τοποθετήσετε τη συσκευή σύμφωνα με τις

οδηγίες του κατασκευαστή.

6. Πηγή τροφοδοσίας – η συσκευή πρέπει να τροφοδοτηθεί αποκλειστικά από τις πηγές με τις παραμέτρους που αναφέρονται στις επισημάνσεις του καλωδίου τροφοδοσίας. Αν ο χρήστης δεν είναι σίγουρος ποιανού τύπου τροφοδοσία έχει στο σπίτι του, πρέπει να επικοινωνήσει με τον πωλητή της συσκευής ή τον τοπικό προμηθευτή ηλεκτρικής ενέργειας.
7. Νερό και υγρασία – για να μειώσετε τον κίνδυνο πυρκαγιάς ή ηλεκτροπληξίας, δεν επιτρέπεται να εκθέτετε τη συσκευή στην άμεση επίδραση βροχής, νερού και υγρασίας όπως π.χ. στη σάουνα ή το μπάνιο. Μην χρησιμοποιείτε την παρούσα συσκευή δίπλα σε νερό, π.χ. δίπλα σε μια μπανιέρα, νιπτήρα, νεροχύτη κουζίνας ή σκάφη, σε ένα υπόγειο με υγρασία ή δίπλα σε πισίνα (ή σε παρόμοιους τόπους).
8. Αντικείμενα και υγρά μέσα στη συσκευή – δεν επιτρέπεται να πιέσετε οποιοδήποτε αντικείμενο μέσα από τα ανοίγματα της συσκευής, γιατί αυτά μπορεί να έχουν επαφή με τα σημεία της επικίνδυνης ηλεκτρικής τάσης και τα υποσυστήματα και αυτό μπορεί να προκαλέσει πυρκαγιά. Σε καμία περίπτωση μη χύσετε οποιοδήποτε υγρό δίπλα στη συσκευή. Δεν επιτρέπεται να βάζετε πάνω στη συσκευή τα αντικείμενα που περιέχουν υγρά.
9. Σέρβις – μην δοκιμάσετε να εκτελέσετε επιθεωρήσεις της συσκευής μόνοι σας. Το να ανοίξετε το κάλυμμα μπορεί να προκαλέσει επαφή με επικίνδυνη ηλεκτρική τάση και να εκτεθεί ο χρήστης σε άλλου κινδύνους. Η συντήρηση και η επισκευή του εξοπλισμού εκτελείται αποκλειστικά από τους εξουσιοδοτημένους υπάλληλους σέρβις.
10. Ανταλλακτικά – όταν αντικαθιστάτε εξαρτήματα πρέπει να ελέγχετε αν ο υπάλληλος του σέρβις έχει χρησιμοποιήσει τα ανταλλακτικά που προτείνονται από τον κατασκευαστή ή τα εξαρτήματα είναι ίδια όπως τα γνήσια εξαρτήματα. Η αντικατάσταση εξαρτημάτων με μην εγκεκριμένα προκαλεί κίνδυνο πυρκαγιάς, ηλεκτροπληξίας και άλλους κινδύνους.
11. Η μέγιστη θερμοκρασία περιβάλλοντος πρέπει είναι 35°C.
12. Οδηγίες σχετικά με τις ηλεκτροστατικές εκκινήσεις - αν η λειτουργία της συσκευής διαταράσσεται με τις ηλεκτροστατικές εκκινήσεις, πρέπει να την απενεργοποιήσετε και να την ενεργοποιήσετε ξανά ή να μεταφέρετε τη συσκευή σε άλλο τόπο.
13. Μπαταρία
 - a. Δεν επιτρέπεται να εκθέτετε τις μπαταρίες στη δράση υπερβολικής ζέστης όπως π.χ. ηλιακή ακτινοβολία.
 - b. Κατά τη διάθεση των μπαταριών, πρέπει να δώσετε σημασία στις παραμέτρους της προστασίας του περιβάλλοντος.
 - c. Προειδοποίηση σχετικά με χρήση των μπαταριών: για να μην επιτρέψετε αποσφράγιση των μπαταριών που μπορεί να προκαλέσει τραύματα ή να χαλάσει τη συσκευή:

- Όταν βάζετε τη μπαταρία δώστε σημασία στην πόλωσή της (+ και -).
- Δεν επιτρέπεται να χρησιμοποιήσετε ταυτόχρονα διαφορετικές μπαταρίες - καινούργιες και μεταχειρισμένες, τις μπαταρίες σπάνταρ και αλκαλικές κλπ.
- Πρέπει να βγάλετε τις μπαταρίες από τη συσκευή δεν τη χρησιμοποιείτε πολλή ώρα.

ΠΡΟΕΙΔΟΠΟΙΗΣΗ

Η συσκευή δεν επιτρέπεται να χρησιμοποιηθεί από πρόσωπα (συμπεριλαμβανόμενων των παιδιών) με μειωμένη φυσική και αισθητηριακή ικανότητα και τα πρόσωπα με ανεπαρκή γνώση και εμπειρία, αν δεν είναι υπό την εποπτεία του προσώπου που είναι υπεύθυνο για την ασφάλειά τους και δεν έχουν εκπαιδευθεί πως να χρησιμοποιούν τη συσκευή με ασφαλή τρόπο. Η παρουσία των ενηλίκων απαιτείται όταν τα παιδιά χειρίζονται τη συσκευή· έτσι θα διασφαλίσετε την ασφαλή χρήση της συσκευής.

1. Δεν επιτρέπεται να αφήνετε τη συσκευή όταν λειτουργεί χωρίς καμία εποπτεία! Πρέπει να απενεργοποιείτε τη συσκευή όταν δεν τη χρησιμοποιείτε, ακόμη για ένα σύντομο διάστημα.
2. Δεν επιτρέπεται να μεταχειρίζεστε τη συσκευή μέσα από ένα εξωτερικό ρολόι με χρονικό σύστημα ούτε με ξεχωριστό σύστημα τηλεχειρισμού.
3. Για να αποφύγετε κίνδυνο σε περίπτωση βλάβης του καλωδίου τροφοδοσίας, η αντικατάστασή του πρέπει να εκτελείτε από τον κατασκευαστή, την εξουσιοδοτημένη υπηρεσία σέρβις ή άλλο πρόσωπο που διαθέτει τα κατάλληλα προσόντα.
4. Πριν αρχίσετε να χειρίζεστε τη συσκευή, πρέπει να ελέγξετε αν η τάση της είναι συμβατή με την τάση του τοπικού ηλεκτρικού δικτύου.
5. Για να αποφύγετε πυρκαγιά ή ηλεκτροπληξία, πρέπει να προστατεύετε τη συσκευή από ζεστούς τόπους, τη δράση της βροχής, της υγρασίας και της σκόνης.
6. Δεν επιτρέπεται να εκθέτετε τη συσκευή σε ισχυρό μαγνητικό πεδίο.
7. Δεν επιτρέπεται να βάζετε τη συσκευή αμέσως στον ενισχυτή, δέκτη ή διακόπτη.
8. Δεν επιτρέπεται να βάζετε τη συσκευή σε ένα μέρος με υγρασία, γιατί η υγρασία έχει αρνητική επίδραση στα ηλεκτρικά συστήματα.
9. Μετά από μεταφορά της συσκευής από κρύο σε ζεστό τόπο ή σε τόπο με υγρασία, μπορεί να προκληθεί υγροποίηση της υγρασίας πάνω στον φακό μέσα στη συσκευή αναπαραγωγής. Σε μια τέτοια περίπτωση η συσκευή δεν θα λειτουργήσει σωστά. Πρέπει να αφήσετε τη συσκευή απενεργοποιημένη για περίπου μια ώρα, για να επιτρέψετε την εξάτμιση της υγρασίας.
10. Δεν επιτρέπεται να καθαρίζετε τη συσκευή με χημικούς διαλύτες, γιατί μπορεί να χαλάσουν το βερνίκι του περιβλήματος. Σκουπίζετε τη

- συσκευή με ένα καθαρό, στεγνό ή λίγο μουσκεμένο πανί.

ΠΡΟΣΟΧΗ

Δήλωση

Δια του παρόντος η εταιρεία Blaupunkt Competence Center 2N-Everpol Sp. z o.o. δηλώνει ότι η παρούσα συσκευή είναι συμβατή με τις προϋποθέσεις και τις λοιπές σχετικές προβλέψεις της οδηγίας 2014/53 / ΕΕ. Μπορείτε να λάβετε την πλήρη δήλωση συμβατότητας από την ιστοσελίδα www.blaupunkt.com στην καρτέλα του προϊόντος.

Κάτοχος άδειας κυκλοφορίας: 2N-Everpol Sp. Z o.o.

Puławska 403A, 02-801 Warszawa, Πολωνία

Τηλέφωνο: +48 22 688 08 00, e-mail: info@everpol.pl



Το προϊόν κατασκευάστηκε από υλικά υψηλής ποιότητας και τα συστήματα, τα οποία μπορούν να ανακυκλωθούν και να χρησιμοποιηθούν ξανά.



Αν πάνω στη συσκευή υπάρχει το σύμβολο του διαγραμμένου κάδου, αυτό σημαίνει ότι το προϊόν καλύπτεται από τις προβλέψεις της ευρωπαϊκή οδηγίας 2012/19/EU. Πρέπει να εξοικειωθείτε με τις απαιτήσεις του τοπικού συστήματος συγκέντρωσης απορριπτόμενου εξοπλισμού και υπολειμμάτων υλικού διάλυσης. Πρέπει να ακολουθήσετε τους τοπικούς κανονισμούς. Μην απορρίψετε το προϊόν μαζί με τα κανονικά οικιακά απορρίμματα. Η σωστή διάθεση του παλαιού προϊόντος προστατεύει από αρνητικά αποτελέσματα για το φυσικό περιβάλλον και την ανθρώπινη υγεία.



Η συσκευή είναι εξοπλισμένη με μπαταρίες οι οποίες ορίζονται με την ευρωπαϊκή οδηγία 2006/66/ΕC. Δεν επιτρέπεται να απορρίψετε τις μπαταρίες μαζί με τα οικιακά απορρίμματα. Πρέπει να εξοικειωθείτε με τους τοπικούς κανονισμούς για την ξεχωριστή συγκέντρωση των μπαταριών, διότι η κατάλληλη διάθεση προστατεύει από πιθανά

αρνητικά αποτελέσματα της για το φυσικό περιβάλλον και την ανθρωπινή ζωή.

Πληροφορίες για την προστασία του περιβάλλοντος

Η συσκευασία περιέχει μόνο τα απαραίτητα στοιχεία. Έχει καταβληθεί κάθε δυνατή προσπάθεια ώστε τα τρία συστατικά της συσκευασίας να διαχωριστούν εύκολα: χαρτί (κουτί), αφρός πολυστερίνης (προστατευτικά μέσα στη συσκευασία) και πολυαιθυλένιο (σακούλες, προστατευτικό φύλλο). Η συσκευή κατασκευάστηκε από υλικά τα οποία μπορούν να ανακυκλωθούν και να χρησιμοποιηθούν ξανά μετά την αποσυναρμολόγησή τους. Πρέπει να ακολουθήσετε τους τοπικούς κανονισμούς σχετικά με τη διάθεση των υλικών συσκευασίας, των μεταχειρισμένων μπαταριών και των περιττών συσκευών.

Η εγγραφή και αναπαραγωγή υλικού μπορεί να απαιτήσει σχετική άδεια. Βλέπε το περί πνευματικών δικαιωμάτων και των δικαιωμάτων/δημιουργών/καλλιτεχνών νόμο.

Παρατήρηση σχετικά με τις ERP2 (Συσκευές σχετικά με την ενέργεια)

Η παρούσα συσκευή είναι οικολογικού σχεδιασμού και πληροί τις απαιτήσεις της φάσης 2 του Κανονισμού (ΕΚ) αριθ. 1275/2008 της Επιτροπής περί εφαρμογής της οδηγίας 2009/125/ΕΚ σχετικά με την κατανάλωση ενέργειας σε κατάσταση απενεργοποίησης και αναμονής του ηλεκτρικού και ηλεκτρονικού εξοπλισμού γραφείου και οικιακού εξοπλισμού.

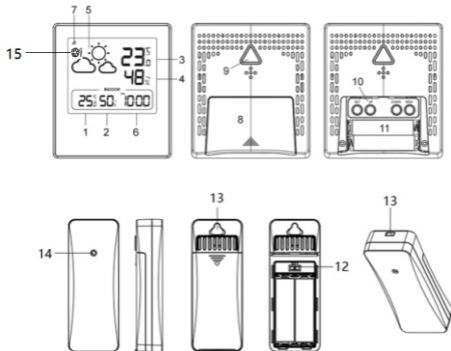
Σας ευχαριστούμε που αγοράσατε τον μετεωρολογικό μας σταθμό. Αυτό το μοντέλο έχει τα ακόλουθα χαρακτηριστικά.

Λειτουργίες

- Πρόγνωση καιρού: ηλιοφάνεια, μερική συννεφιά, συννεφιά, βροχή, χιόνι.
- Δείκτης σημείου παγώματος.
- Θερμοκρασία εσωτερικού / εξωτερικού χώρου.
- Υγρασία εσωτερικού / εξωτερικού χώρου.
- Μνήμη των ελάχιστων και μέγιστων τιμών των εσωτερικών και εξωτερικών μετρήσεων θερμοκρασίας και υγρασίας.
- Λειτουργία ρολογιού 12/24 ωρών.
- Εξωτερικός, ασύρματος αισθητήρας θερμοκρασίας και υγρασίας.

Διαβάστε προσεκτικά αυτές τις οδηγίες χρήσης και πριν ξεκινήσετε τη συσκευή. Κρατήστε αυτές τις οδηγίες χρήσης για μελλοντική αναφορά.

Οθόνη και χειριστήρια




1. Θερμοκρασία εσωτερικού χώρου / τάση
2. Υγρασία εσωτερικού χώρου / τάση
3. Θερμοκρασία εξωτερικού χώρου / τάση
4. Υγρασία εξωτερικού χώρου / τάση
5. Πρόγνωση καιρού με κινούμενα σχέδια
6. Ρολόι
7. Δείκτης λήψης σήματος από τον εξωτερικό αισθητήρα
8. Καπάκι της θήκης μπαταριών
9. Οπή στερέωσης για κρέμασμα
10. Κουμπιά ρύθμισης: ρυθμίσεις (SET)/πάνω (UP)/κάτω (DOWN)/μνήμη (MEM)
11. Θήκη μπαταριών
12. Διακόπτης καναλιών αισθητήρα
13. Ανοίγματα στερέωσης για κρέμασμα
14. Ενδεικτική λυχνία αισθητήρα
15. Δείκτης σημείου παγώματος

Εγκατάσταση

Ανοίξτε το καπάκι της θήκης μπαταριών. Εισαγάγετε 2 μπαταρίες AAA στον μετεωρολογικό σταθμό και, στη συνέχεια, τοποθετήστε 2 μπαταρίες AA στον εξωτερικό αισθητήρα, σύμφωνα με την πολικότητα που εμφανίζεται στη θήκη. (Περιλαμβάνονται μπαταρίες) Προκειμένου να επιτευχθεί η καλύτερη απόδοση του προϊόντος, συνιστούμε τη χρήση αλκαλικών μπαταριών υψηλής ποιότητας. Δεν συνιστώνται μπαταρίες τύπου «Heavy Duty» ή επαναφορτιζόμενες μπαταρίες. Η οθόνη του μετεωρολογικού σταθμού θα απενεργοποιηθεί όταν η μπαταρία αποφορτιστεί. (Χρόνος εργασίας κατά προσέγγιση με τη νέα μπαταρία: 6 μήνες για τον μετεωρολογικό σταθμό, 12 μήνες για τον εξωτερικό ασύρματο αισθητήρα. Οι δεδομένοι χρόνοι εργασίας είναι μόνο εκτιμήσεις και εξαρτώνται από πολλούς παράγοντες, όπως ο τύπος των μπαταριών που χρησιμοποιούνται, ο κατασκευαστής, οι συνθήκες εργασίας κ.λπ.)

Λήψη σήματος από εξωτερικό ασύρματο αισθητήρα

Αφού εγκατασταθεί σωστά η μπαταρία, ο μετεωρολογικός σταθμός ανιχνεύει αυτόματα και λαμβάνει το σήμα εξωτερικής θερμοκρασίας και υγρασίας από τον εξωτερικό ασύρματο αισθητήρα. Η ανάκτηση σήματος θα διαρκέσει το πολύ 3 λεπτά. Κατά τη διάρκεια της αναζήτησης, η ένδειξη λήψης σήματος ασύρματου αισθητήρα  θα αναβοσβήνει και θα σταθεροποιηθεί μετά την επιτυχή λήψη του σήματος. Εάν ο σταθμός δεν λάβει σήμα από εξωτερικό αισθητήρα, η ένδειξη λήψης σήματος θα εξαφανιστεί μετά από 3 λεπτά και η οθόνη αντί για τα δεδομένα θερμοκρασίας και εξωτερικής υγρασίας θα εμφανίσει το ακόλουθο σύμβολο: «- -». Για να ενεργοποιήσετε ξανά την αναζήτηση σήματος από τον εξωτερικό αισθητήρα, πατήστε και κρατήστε πατημένο το κουμπί «πάνω» για 3 δευτερόλεπτα.

Τοποθέτηση της συσκευής και άλλες παρατηρήσεις:

1. Αυτός ο μετεωρολογικός σταθμός υποστηρίζει μόνο 1 εξωτερικό ασύρματο αισθητήρα. Εάν ο αισθητήρας διαθέτει διακόπτη καναλιού, να τον ρυθμίζετε πάντα στο κανάλι «1»
(* Ο αισθητήρας μπορεί να είναι συμβατός με άλλα μοντέλα που υποστηρίζουν 3 κανάλια)
2. Τοποθετήστε και χρησιμοποιήστε τον μετεωρολογικό σταθμό και έναν εξωτερικό αισθητήρα εντός 1,5~2 μέτρων από πηγές παρεμβολών, όπως οθόνες υπολογιστών ή τηλεοράσεις. Ο μετεωρολογικός σταθμός πρέπει επίσης να τοποθετείται μακριά από παράθυρα με μεταλλικά πλαίσια.
3. Μην χρησιμοποιείτε άλλα ηλεκτρονικά προϊόντα, όπως ακουστικά ή ηχεία, που λειτουργούν στην ίδια συχνότητα σήματος (433,92 MHz), καθώς μπορεί να προκαλέσουν παρεμβολές. Λάβετε υπόψη ότι εάν οι γείτονές σας χρησιμοποιούν ηλεκτρονικές συσκευές που λειτουργούν στην ίδια συχνότητα σήματος (433,92 MHz), ενδέχεται επίσης να προκαλέσουν παρεμβολές στην ορθή λειτουργία.
4. Για να διασφαλίσετε την ακριβή μέτρηση της εσωτερικής θερμοκρασίας, τοποθετήστε τον μετεωρολογικό σταθμό σε ξηρό μέρος, χωρίς ακαθαρσίες και σκόνη. Επιλέξτε ένα μέρος μακριά από άμεσο ηλιακό φως και άλλες πηγές θερμότητας, καθώς και μακριά από ανοίγματα αερισμού.
5. Ο ασύρματος αισθητήρας μπορεί να εγκατασταθεί σε εξωτερικό χώρο. Για την καλύτερη δυνατή ακρίβεια της μέτρησης, τοποθετήστε τον αισθητήρα σε κατακόρυφη θέση, τουλάχιστον 1,5 ~ 2 μέτρα από το έδαφος, σε χώρο προστατευμένο από τη βροχή και με καλή κυκλοφορία του αέρα. Μην εκθέτετε τον αισθητήρα σε άμεσο ηλιακό φως για μεγάλα χρονικά διαστήματα.
6. Η μέγιστη απόσταση λειτουργίας του ασύρματου αισθητήρα είναι 80 μέτρα από τον μετεωρολογικό σταθμό, χωρίς εμπόδια μεταξύ τους.
7. Το σήμα από τον ασύρματο αισθητήρα αποστέλλεται στο σταθμό κάθε 114 δευτερόλεπτα.

Ρύθμιση του ρολογιού

Πατήστε και κρατήστε πατημένο το κουμπί ρυθμίσεων (SET) για 3 δευτερόλεπτα και η οθόνη θα αναβοσβήνει: 12/24H, πατήστε το κουμπί πάνω (UP) ή κάτω (DOWN) για να επιλέξετε τη μορφή ώρας – 12 ή 24 ώρες· πατήστε το κουμπί ρυθμίσεων (SET) για να επιβεβαιώσετε την επιλογή και να μεταβείτε στη ρύθμιση ώρας, πατήστε το κουμπί πάνω (UP) ή κάτω (DOWN) για να ρυθμίσετε την ώρα. πατήστε ξανά το κουμπί ρυθμίσεων (SET) για να επιβεβαιώσετε την επιλογή και μεταβείτε στη ρύθμιση λεπτών – η διαδικασία είναι η ίδια όπως και για τη ρύθμιση ώρας. πατήστε ξανά το κουμπί ρυθμίσεων (SET) για να επιβεβαιώσετε την επιλογή και να ολοκληρώσετε τη ρύθμιση του

ρολογιού. (Πατήστε και κρατήστε πατημένο το κουμπί προς τα πάνω (UP) ή προς τα κάτω (DOWN) για να επιταχύνετε τη ρύθμιση).

Θερμοκρασία και υγρασία

1. Εύρος μέτρησης θερμοκρασίας εσωτερικού χώρου: $-10 \sim +50 \text{ }^{\circ}\text{C}$ / $14 \sim 122 \text{ }^{\circ}\text{F}$.
 2. Εύρος μέτρησης εξωτερικής θερμοκρασίας: $-30 \sim +60 \text{ }^{\circ}\text{C}$ / $-22 \sim 140 \text{ }^{\circ}\text{F}$. Προσοχή: LL.L $^{\circ}\text{C}$ ή HH.H $^{\circ}\text{C}$ θα εμφανιστεί στην οθόνη όταν η μετρούμενη τιμή θερμοκρασίας είναι εκτός του παραπάνω εύρους
 3. Εύρος μέτρησης υγρασίας εσωτερικού και εξωτερικού χώρου: 1%-99%
- Προσοχή:** Το LL% ή το HH% θα εμφανίζονται στην οθόνη όταν η μετρούμενη τιμή υγρασίας είναι εκτός του παραπάνω εύρους
4. Ακρίβεια μέτρησης θερμοκρασίας: $\pm 1.0 \text{ }^{\circ}\text{C}$ στην περιοχή από $0 \text{ }^{\circ}\text{C}$ έως $+50 \text{ }^{\circ}\text{C}$ / $32 \text{ }^{\circ}\text{F} \sim 104 \text{ }^{\circ}\text{F}$.

$\pm 1,5 \text{ }^{\circ}\text{C}$ εκτός του παραπάνω εύρους τιμών.

5. Ακρίβεια μέτρησης υγρασίας: $\pm 5\%$ (εύρος 40 έως 70%), $\pm 8\%$ εκτός εύρους
6. Πατήστε το κουμπί μνήμης (MEM) για να ελέγξετε τις μέγιστες και ελάχιστες τιμές μέτρησης, πατήστε και κρατήστε πατημένο το κουμπί Memory (MEM) για να διαγράψετε χειροκίνητα αυτά τα δεδομένα. (Προσοχή: Οι μέγιστες και ελάχιστες τιμές μέτρησης θα διαγράφονται αυτόματα στις 00:00 κάθε μέρα).
7. Πατήστε το κουμπί κάτω (DOWN) για να αλλάξετε τη μονάδα θερμοκρασίας: από $^{\circ}\text{C}$ (βαθμοί Κελσίου) σε $^{\circ}\text{F}$ (βαθμοί Φαρενάιτ).

Τάση θερμοκρασίας

Ένα βέλος κοντά στα δεδομένα θερμοκρασίας υποδεικνύει την τάση της θερμοκρασίας. Η κατεύθυνσή του αλλάζει ανάλογα με το αν η τελευταία ένδειξη θερμοκρασίας είναι υψηλότερη ή χαμηλότερη από τις προηγούμενες ενδείξεις.

Βέλος που δείχνει προς τα πάνω = η θερμοκρασία αυξήθηκε κατά $1 \text{ }^{\circ}\text{C}$ την τελευταία ώρα.

Κανένα βέλος = η θερμοκρασία έχει αλλάξει κατά λιγότερο από $1 \text{ }^{\circ}\text{C}$ την τελευταία ώρα.

Βέλος που δείχνει προς τα κάτω = η θερμοκρασία έχει πέσει $1 \text{ }^{\circ}\text{C}$ την τελευταία ώρα.

Τάση υγρασίας

Ένα βέλος κοντά στα δεδομένα υγρασίας υποδεικνύει την τάση υγρασίας. Η κατεύθυνσή του αλλάζει ανάλογα με το αν η τελευταία ένδειξη υγρασίας είναι υψηλότερη ή χαμηλότερη από τις προηγούμενες ενδείξεις.

Βέλος που δείχνει προς τα πάνω = η υγρασία αυξήθηκε κατά 5% την τελευταία ώρα.

Κανένα βέλος = υγρασία δεν έχει αλλάξει την τελευταία ώρα.

Βέλος που δείχνει προς τα κάτω = υγρασία έχει πέσει 5% την τελευταία ώρα.

Πρόγνωση καιρού με κινούμενα σχέδια

Η πρόγνωση του καιρού βασίζεται στα δεδομένα ωριαίας θερμοκρασίας και υγρασίας που συλλέγονται από τον εξωτερικό αισθητήρα. Ο σταθμός προβλέπει καιρικές συνθήκες για τις επόμενες 12 ώρες με ακρίβεια 70-75%. Το προεπιλεγμένο εικονίδιο πρόγνωσης καιρού έχει ρυθμιστεί σε «μερική συννεφιά», ο μετεωρολογικός σταθμός θα βαθμονομήσει αυτόματα την πρόγνωση καιρού τις πρώτες 1-2 εβδομάδες λειτουργίας με βάση τα δεδομένα θερμοκρασίας και υγρασίας από τον εξωτερικό αισθητήρα.

Ο ασύρματος αισθητήρας πρέπει να τοποθετηθεί σε εξωτερικό χώρο για να ληφθούν ακριβή δεδομένα θερμοκρασίας και υγρασίας, διαφορετικά θα επηρεαστεί η ακρίβεια της πρόγνωσης του καιρού. Η πρόγνωση καιρού θα εμφανιστεί σε έναν από τους παρακάτω συνδυασμούς:



ΗΛΙΟΛΟΥΣΤΑ



ΜΕΡΙΚΗ ΣΥΝΝΕΦΙΑ



ΣΥΝΝΕΦΙΑ



ΒΡΟΧΗ



ΧΙΟΝΙ

Λάβετε υπόψη ότι η συσκευή προβλέπει τον καιρό με βάση περιορισμένες παραμέτρους και μπορεί να διαφέρει από τις επίσημες προγνώσεις καιρού, οι οποίες υπολογίζονται με βάση προηγμένους αλγόριθμους.

Δείκτης σημείου παγώματος

Όταν η εξωτερική θερμοκρασία πέσει κάτω από τους 3°C/34°F, αυτό το

σύμβολο ❄️ θα εμφανιστεί στην οθόνη και ο σταθμός θα

εκπέμψει ένα προειδοποιητικό σήμα.

Αντιμετώπιση προβλημάτων

Έλλειψη πληροφοριών στην οθόνη	<ul style="list-style-type: none"> ❖ Ελέγξτε εάν οι μπαταρίες έχουν εγκατασταθεί σωστά στη συσκευή.
Η θερμοκρασία από τον εξωτερικό αισθητήρα δεν εμφανίζεται.	<ul style="list-style-type: none"> ❖ Ελέγξτε εάν η απόσταση μεταξύ του σταθμού και του αισθητήρα δεν υπερβαίνει τα 30 m (συνιστάται) ❖ Βεβαιωθείτε ότι ο σταθμός και ο αισθητήρας απέχουν τουλάχιστον 2 μέτρα από οθόνες και τηλεοράσεις. ❖ Αποφύγετε την τοποθέτηση συσκευών πάνω ή κοντά σε μεταλλικά πλαίσια παραθύρων. ❖ Αποφύγετε τη χρήση σταθμών κοντά σε ηλεκτρονικές συσκευές όπως ηχεία που λειτουργούν στην ίδια συχνότητα (433 MHz). ❖ Αφαιρέστε τις μπαταρίες, περιμένετε μια στιγμή και, στη συνέχεια, τοποθετήστε τις ξανά.
Η θερμοκρασία που εμφανίζεται είναι λανθασμένη.	<ul style="list-style-type: none"> ❖ Αφαιρέστε τις μπαταρίες, περιμένετε μια στιγμή και, στη συνέχεια, τοποθετήστε τις ξανά. ❖ Βεβαιωθείτε ότι ο σταθμός ή ο αισθητήρας δεν επηρεάζεται από πηγές θερμότητας, κλιματιστικά κ.λπ. Ή ο αισθητήρας βρίσκεται σε σημείο που εκτίθεται σε άμεσο ηλιακό φως.

Προδιαγραφές:

- Ένδειξη θερμοκρασίας εσωτερικού/εξωτερικού χώρου
- Ένδειξη εσωτερικού/εξωτερικού χώρου
- Ένδειξη τάσης θερμοκρασίας/υγρασίας
- Πρόγνωση καιρού για τις επόμενες 12-24 ώρες
- Δείκτης σημείου παγώματος
- Ρολόι (μορφή 12/24 ωρών)
- Ασύρματος εξωτερικός αισθητήρας (περιλαμβάνεται 1 τεμ.)
- Ένδειξη LCD
- Τροφοδοσία κύριας μονάδας: 2 x 1,5 V μπαταρίες (τύπου AAA, περιλαμβάνονται)
- Πηγή ισχύος εξωτερικού ασύρματου αισθητήρα: 2 x 1,5 V μπαταρίες (τύπου AA, περιλαμβάνονται)
- Συχνότητα ασύρματου αισθητήρα: 433,92 MHz
- Κατανάλωση ισχύος: 18 mW (κύρια μονάδα), 24 mW (ασύρματος πομπός)
- Βραχίονας τοίχου / Επιτραπέζια βάση
- Διαστάσεις συσκευής: 81 x 26 x 93 mm
- Διαστάσεις οθόνης LCD: 53 x 62 mm
- Βάρος συσκευής: 0,073 kg
- Διαστάσεις αισθητήρα: 38 x 19 x 100 mm
- Βάρος αισθητήρα: 0,032 kg

Oluline informatsioon.

- Teenindusjuhend ja ohutust käsitlev teave tuleb edaspidiseks kasutuseks säilitada.
- Ei tohi lasta tekkida olukorral, kui seadmele või selle sisemusse tilgub vesi.
- Samuti ei tohi seadet kasutada niisketes kohtades, nagu nt vannituba.
- Antud seadet ei tohi paigaldada järgnevasse kohtadesse:
- Mis on avatud päikesekiirguse vahetule toimele või radiaatorite lähedusse.
- Asetada muu, soojust eraldava, stereofoonilise varustuse peale.
- Blokeerides ventilatsiooni või tolmusesse kohta.
- Pidevale vibratsioonile allutatud kohtadesse.
- Kõrge niiskustasemega kohtadesse.
- Seadet ei tohi asetada küünalde või avatud tule lähedusse.
- Seadet võib kasutada ainult käesolevas juhendis kirjeldatud viisil.
- Enne toite esimest sisselülitamist tuleb veenduda, et toide oleks õigesti ühendatud.

Ohutuse seisukohalt ei tohi korpuseid lahti võtta ega üritada seadme sisemusse tungida. Seadet võivad parandada ainult teeninduse kvalifitseeritud töötajad.

Seadet ei tohi lahti keerata ega selle korpust avada, sest selles ei ole kasutaja poolt parandatavaid osi. Seadme hoolduse ja parandamisega tegelevad ainult teeninduse kvalifitseeritud töötajad.

OHUTUST KÄSITLEV OLULINE TEAVE

1. Lugeda juhend läbi – enne seadme kasutamist alustamist tuleb kogu teenindusjuhend ja ohutust käsitlev teave läbi lugeda.
2. Säilitada juhend – kasutus- ja teenindusjuhend tuleb edaspidiseks kasutuseks säilitada.
3. Järgida hoiatusi – toimida kooskõlas kõikide seadmel paiknevate hoiatuste ja teenindusjuhendiga.
4. Järgida juhiseid – toimida kooskõlas teenindusjuhendi ja kasutajale mõeldud juhistega.
5. Paigaldus – paigaldada seade kooskõlas tootja juhistega.
6. Toiteallikad – seadme toiteks peab kasutama ainult toitekaabli märgistustel antud parameetritega allikaid. Juhul kui kasutaja ei ole kindel kodus oleva toite liigis, peab ta ühendust võtma seadme müüja või kohaliku elektrienergia tarnijaga.
7. Vesi ja niiskus – tulekahju või elektrilöögi ohu vähendamiseks ei tohi seadet vihma, vee ja niiskuse vahetule toimele, nagu nt saunas või vannitoas, allutada. Mitte kasutada käesolevat seadet vee, näiteks vanni, kraanikausi, köögivalamu või pesupali, läheduses, niiskes

keldris või basseini juures (või sarnastes kohtades).

8. Esemed ja vedelikud seadmes – läbi seadme avade ei tohi sisse suruda mingeid esemeid, sest need võivad kokku puutuda ohtliku pinge punktidega, mis omakorda võib põhjustada tulekahju või elektrilöögi. Mitte mingil juhul ei tohi seadme pindadele mingeid vedelikke kallata. Seadmele ei tohi asetada vedelikke sisaldavaid esemeid.

9. Teenindus – keelatud on seadme ülevaatus omakäeliselt läbi viia. Avatud katted võivad põhjustada kokkupuudet ohtliku pingega ja osutada ohtlikuks. Seadme hoolduse ja parandamisega tegelevad ainult teeninduse kvalifitseeritud töötajad.

10. Varuosad – osade väljavahetamisel tuleb kontrollida kas teeninduse töötaja on kasutanud tootja poolt soovitatud varuosi või kas osad on originaalosadega identsed. Väljavahetamine kinnitamata osade vastu ohustab tulekahju puhkemise, elektrilöögi ja muude turvariskidega.

11. Seadme keskkonna maksimaalne temperatuur võib olla kuni 35°C.

12. Elektrostaatilisi lahendusi puudutavad juhised – kui seadme töö on häiritud elektrostaatilistest lahendustest tuleb see välja lülitada ja seejärel uuesti sisse lülitada või teise kohta ümber tõsta.

13. Patareid

a. Patareisid ei tohi allutada ülemäärase soojuse, nagu nt päikesekiired, tuli jms, toimele.

b. Patareide utiliseerimisel tuleb pöörata tähelepanu keskkonnakaitse aspektidele.

c. Patareide kasutamist puudutav hoiatus: patareidel ei tohi lasta kuluda kuni lekkimiseni, mis võib põhjustada kehavigastusi ja seadme kahjustusi:

- Patareide sisestamisel pöörata tähelepanu nende polaarsusele (+ ja -).
- Ei tohi kasutada samaaegselt erinevaid patareisid — vanu ja uusi, standardseid ja alkaalpatareisid, jne.
- Kui seadet pikema aja jooksul ei kasutata, tuleb patareid välja võtta.

HOIATUS

Seadet ei tohi kasutada piiratud füüsiliste, sensoorsete ja psüühiliste võimetega või seadmega töötamise kogemusi või teadmisi mitte omavad inimesed (sealhulgas lapsed), kui nad ei viibi nende ohutuse eest vastutavate isikute järelevalve all või kui neid ei ole seadme ohutu kasutamise teemal instrueeritud. Kui seadet teenindavad lapsed, on nõutav täiskasvanute kohaolek; see võimaldab tagada seadme ohutu kasutuse.

1. Keelatud on töötavat seadet järelvalveta jätta! Kui seadet isegi lühikese aja jooksul ei kasutata, tuleb see välja lülitada.
2. Seadet ei tohi teenindada taimeriga välise kella vahendusel ega eraldiasetseva kaugjuhtimisega süsteemi abil.
3. Toitejuhtme kahjustuste korral ohtude vältimiseks peab väljavahetamist teostama tootja, autoriseeritud teeninduspunkt või muu, asjakohast kvalifikatsiooni omav isik.
4. Enne seadme teenindamise juurde asumist tuleb veenduda, et selle pinge vastab kohalikus toitevõrgus pingele.
5. Tulekahju või elektrilõgi vältimiseks tuleb seadet kaitsta kuumade kohtade, vihma, niiskuse ja tolmu toime eest.
6. Seadet ei tohi allutada tugevate magnetväljade toimele.
7. Vahetult võimendile või vastuvõtjale seadet asetada ei tohi.
8. Seadet ei tohi viia niiskesse kohta, sest niiskusel on elektrilistele allüksustele kahjulik mõju.
9. Peale seadme külmast sooja või niiskesse kohta toomist võib mängija sees olevale läätsele tekkida niiskuse kondensatsioon. Sellises olukorras seade korralikult tööle ei hakka. Niiskuse aurumise võimaldamiseks tuleb sisselülitatud seade jätta umbes tunniks ajaks seisma.
10. Seadet ei tohi puhastada keemiliste lahustitega, sest need võivad kahjustada korpuse lakikihti. Seadet pühitakse puhta, kuiva või vähesel määral niisutatud lapiga.

TÄHELEPANU



Deklaratsioon

Blaupunkt Competence Center 2N-Everpol Sp. z o.o. teavitab käesolevaga, et seade vastab direktiivi 2014/53 / EL nõuetele ja selle muudele asjakohastele sätetele. Täielik vastavusdeklaratsioon asub leheküljel www.blaupunkt.com toote järjehoidjas.

Vastutav ettevõtte: 2N-Everpol Sp. Z O.O.

Puławska 403A, 02-801 Varssavi, Poola

Telefon: +48 22 688 08 00, e-mail: info@everpol.pl



Toode on toodetud kõrgkvaliteetsetest taastootmisesse suunatavatest ja taaskasutatavatest materjalidest ning allüksustest.



Seadmel paiknev läbitõmmatud prügikorvi sümbol tähendab, et toode on hõlmatud Euroopa direktiivi 2012/19/EU sätetega. Tutvuda kohaliku süsteemi elektriliste ja elektrooniliste jäätmete käitlemist puudutavate nõuetega. Toimida kooskõlas kehtivate eeskirjadega. Käesolevat toodet ei tohi ära visata koos tavaliste olmejäätmetega. Vana toote õige kõrvaldamine väldib potentsiaalseid looduskeskkonnale ja inimtervisele kahju tekitavaid tagajärgi.



Seade on varustatud Euroopa direktiiviga 2006/66/EC hõlmatud patareidega. Patareide äraviskamine koos kodumajapidamisjäätmetega on keelatud. Tutvuda patareide eraldiasetsevalt kogumist käsitlevate kohalike eeskirjadega, sest õige utiliseerimine väldib potentsiaalseid looduskeskkonnale ja inimtervisele kahju tekitavaid tagajärgi.

Looduskeskkonna kaitset käsitlev teave

Pakend sisaldab ainult vajalikke elemente. Tehtud on kõik endast olenev, et kolm koostismaterjali oleks hõlpsasti eraldatavad: papp (kast), polüstüreenvaht (seesmine kaitse) ja polüetüleen (kotid, kaitsepoogen). Toode on toodetud materjalidest, mida saab suunata taastootmisesse ja peale nende eriotstarbelise ettevõtte poolt demonteerimist, uuesti kasutada. Järgida pakendmaterjalide, patareide ja kasutatud seadmete utiliseerimist käsitlevaid kohalikke ettekirjutusi.

Materjalide salvestamiseks ja esitamiseks võib vaja minna nõusolekut. Tutvuge autoriõiguse ja esinejate/kunstnike õiguste seadusega.

ERP2 (elektrienergiaga seotud seadmed) puudutav märkus

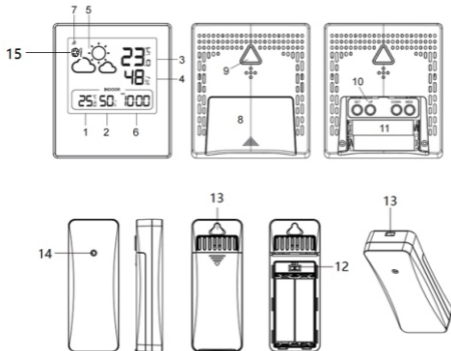
Käeolev ökoprojektiga seade vastab vastab ökoprojektide nõudeid käsitleva KOMISJONI (EÜ) MÄÄRUSE nr 1275/2008 kontori- ja kodukasutuseks mõeldud seadmete väljalülitatuna ja ooterežiimis energiatarbimist puudutava direktiivi 2009/125/WE jõustava 2. etapi nõuetele.

Täname teid meie ilmajaama ostmise eest. Sellel mudelil on järgmised omadused.

- Funktsioonid
- Ilmaprognoos: päikesepaisteline, osaliselt pilvine, pilves, vihm, lumi.
- Külmutuspunkti näit.
- Sise / välistemperatuur.
- Sise/ välisniiskus.
- Sise- ja välistemperatuuri ning -niiskuse mõõtmistulemuste miinimum- ja maksimumväärtuste mälu.
- 12/24-tunnine kellarežiim.
- Väline juhtmevaba temperatuuri ja niiskuse andur.

Enne seadme kasutamist lugege käesolev kasutusjuhend läbi ja tutvuge sellega hoolikalt. Palume säilitada juhend tulevikus kasutamiseks.

Ekraan ja juhtelemendid



- | | |
|---|--------------------------------|
| 1. Sisetemperatuur / suundumus | 2. Siseniiskus / suundumus |
| 3. Välistemperatuur / suundumus | 4. Välisniiskus / suundumus |
| 5. Animeeritud ilmaprognoos | 6. Kell |
| 7. Välisanduri signaali vastuvõtu näit | 8. Patareikambri kate |
| 9. Paigaldusava riputamiseks | |
| 10. Juhtnupud: seadistamine (SET)/üles (UP)/alla (DOWN)/mälu (MEM); | 11. Patareikamber |
| 12. Anduri kanalite lüliti | 13. Paigaldusavad riputamiseks |
| 14. Anduri kontroll-lamp | 15. Külmutuspunkti näit |


Paigaldamine

Avage patareikambri kate. Sisestage 2 AAA-tüüpi patareid ilmajaama, seejärel sisestage 2 AA-tüüpi patareid välisandurisse, vastavalt kambris näidatud polaarsusele. (Patareid kaasas)

Toote parima jõudluse saavutamiseks soovitame kasutada kvaliteetseid leelispatareid. „Heavy Duty” tüüpi patareide või akude kasutamine ei ole soovitatav. Kui patarei on tühi, lülitub ilmajaama ekraan välja. (Ligikaudne tööaeg uue patareiga: 6 kuud ilmajaamale, 12 kuud välisele juhtmevabale andurile. Esitatud tööajad on ainult arvestuslikud ja sõltuvad mitmetest teguritest, näiteks kasutatud patareide tüübist, tootjast, töötingimustest jne.)

Välise juhtmevaba anduri signaali vastuvõtmine

Pärast toite õigesti ühendamist, tuvastab ilmajaam ning võtab väliselt juhtmevabalt andurilt automaatselt vastu välistemperatuuri ja õhuniiskuse signaalid. Signaalide otsimine võtab maksimaalselt kolm

minutit. Otsingu ajal juhtmevaba anduri signaali vastuvõtu näit  vilgub ja stabiliseerub pärast signaali edukat vastuvõtmist. Kui jaam väliselt andurilt signaali ei saa, kaob signaali vastuvõtu näit 3 minuti pärast ja ekraanil kuvatakse välise temperatuuri ja niiskuse andmete asemel järgmine sümbol: „- -”. Välise anduri signaali otsingu taaskäivitamiseks vajutage ja hoidke nuppu „üles” 3 sekundit all.

Seadme paigutus ja muud tähelepanekud:

- See ilmajaam toetab ainult 1 välist juhtmevaba andurit. Kui anduril on kanalite lüliti, seadke see alati kanalile „1” (* Andur võib ühilduda teiste mudelitega, mis toetavad 3 kanalit)
- Palun hoidke ja kasutage ilmajaama ning välist andurit häireallikatest, näiteks arvutimonitoridest või teleritest, 1,5~2 meetri kaugusel. Ilmajaam tuleks ka metallraamidega akendest eemale paigutada.

3. Ärge kasutage teisi samal signaalisagedusel (433,92 MHz) töötavaid elektroonilisi tooteid, näiteks kõrvaklappe või kõlareid, kuna need võivad häireid põhjustada. Pidage meeles, et kui teie naabrid kasutavad samal signaalisagedusel (433,92 MHz) töötavaid elektroonilisi seadmeid, võivad ka nemad korralikku töötamist häirida.
4. Sisetemperatuuri täpse mõõtmise tagamiseks asetage ilmajaam mustuse- ja tolmuvabasse kuiva kohta. Valige asukoht otsesest päikesevalgusest ja muudest soojusallikatest ning samuti ventilatsioonivadest eemal.
5. Juhtmevaba anduri võib paigaldada välja. Võimalikult parema mõõtmistäpsuse saavutamiseks paigutage andur vertikaalselt, vähemalt 1,5 ~ 2 meetri kõrgusele maapinnast, vihma eest kaitstud ja hea õhuringlusega kohta. Ärge jätke andurit pikema aja jooksul otsese päikesevalguse toimealasse.
6. Juhtmevaba anduri maksimaalne töökaugus ilmajaamast on ilma nende vaheliste takistusteta 80 meetrit.
7. Juhtmevaba anduri signaal saadetakse jaama igakordselt 114 sekundi järel.

Kella seadistamine

Vajutage ja hoidke seadistusnuppu (SET) 3 sekundit all ning ekraanile ilmub vilkuv teave: 12/24H, vajutage ajaformaadi - 12 või 24 tundi valimiseks nuppu üles (UP) või alla (DOWN); valiku kinnitamiseks ja aja seadistamise juurde edasi liikumiseks vajutage nuppu SET, kellaaja määramiseks vajutage nuppu üles (UP) või alla (DOWN); vajutage valiku kinnitamiseks ja minutite seadistamisele liikumiseks uuesti seadistusnuppu (SET) - protseduur on samasugune kui tunni seadistamisel; vajutage valiku kinnitamiseks ja kella seadistamise lõpetamiseks uuesti seadistusnuppu (SET). (Reguleerimise kiirendamiseks vajutage ja hoidke all nuppu üles (UP) või alla (DOWN).

Temperatuur ja niiskus

1. Sisetemperatuuri mõõtmisvahemik: $-10 \sim +50^{\circ}\text{C}$ / $14 \sim 122^{\circ}\text{F}$.
2. Välistemperatuuri mõõtmisvahemik: $-30 \sim +60^{\circ}\text{C}$ / $-22 \sim 140^{\circ}\text{F}$.
Tähelepanu: LL.L $^{\circ}\text{C}$ või HH.H $^{\circ}\text{C}$ ilmub ekraanile, kui mõõdetud temperatuuri väärtus jääb eespool nimetatud vahemikust välja
3. Sise- ja välisniiskuse mõõtmise vahemik: 1%-99%
Tähelepanu: LL% või HH% ilmub ekraanile, kui mõõdetud niiskuse väärtus jääb ülaltoodud vahemikust välja
4. Temperatuuri mõõtmise täpsus: $\pm 1,0^{\circ}\text{C}$ vahemikus 0°C kuni $+50^{\circ}\text{C}$ / $32^{\circ}\text{F} \sim 104^{\circ}\text{F}$.
 $\pm 1,5^{\circ}\text{C}$ väljaspool eespool nimetatud vahemikku.
5. Niiskuse mõõtmise täpsus: $\pm 5\%$ (vahemikus 40-70%), $\pm 8\%$ väljaspool seda vahemikku.

6. Maksimaalsete ja minimaalsete mõõtmisväärtuste kontrollimiseks vajutage mälnuppu (MEM), nende andmete andmed käsitsi kustutamiseks vajutage ja hoidke all mälnuppu (MEM). (Tähelepanu: Maksimaalsed ja minimaalsed mõõtmisväärtused kustutatakse automaatselt iga päev kell 00:00).

7. Vajutage temperatuuriühikute muutmiseks nuppu alla (DOWN): °C-st (Celsiuse kraadid) °F-le (Fahrenheiti kraadid).

Temperatuuri suundumus

Temperatuuri andmete juures olev nool teavitab temperatuuri suundumusest. Selle suund muutub sõltuvalt sellest, kas temperatuuri viimane näit on eelmistest näitudest kõrgem või madalam.

Ülespoole suunatud nool=temperatuur on viimase tunni jooksul tõusnud 1 °C võrra.

Noole puudumine = temperatuur on viimase tunni jooksul muutunud vähem kui 1 °C võrra.

Allapoole suunatud nool=temperatuur on viimase tunni jooksul langenud 1 °C võrra.

Niiskuse suundumus

Niiskuse andmete juures olev nool teavitab niiskuse suundumusest. Selle suund muutub sõltuvalt sellest, kas niiskuse viimane näit on eelmistest näitudest kõrgem või madalam.

Ülespoole suunatud nool=õhuniiskus on viimase tunni jooksul tõusnud 5% võrra.

Noole puudumine = niiskus ei ole viimase tunni jooksul muutunud.

Allapoole suunatud nool=õhuniiskus on viimase tunni jooksul langenud 5% võrra.

Animeeritud ilmaprognoos

Ilmaprognoos põhineb välisandurilt kogutud tunnipõhistel temperatuuri ja niiskuse andmetel. Jaam prognoosib järgmise 12 tunni ilmastikutingimusi 70-75% täpsusega. Ilmaprognoosi ikooniks on vaikimisi seatud „osaliselt pilvine“, välisandurilt saadud temperatuuri ja niiskuse andmetele tuginedes kalibreerib ilmajaam automaatselt ilmaprognoosi esimese 1-2 nädala jooksul.

Juhtmevaba andur tuleb temperatuuri ja niiskuse täpsete andmete saamiseks välja paigutada, sest vastasel juhul mõjutab see ilmaprognoosi täpsust.

Ilmaprognoos ilmub ühes järgmistest kombinatsioonidest:



PÄIKESEPAISTELINE



OSALISELT PILVES



PILVES



VIHM



LUMI

Tuleb meeles pidada, et seade prognoosib ilma piiratud parameetrite alusel ja võib täiustatud algoritmide alusel arvutatavatest ametlikest ilmaprognoosidest erineda.

Külmumispunkti näit

Kui välistemperatuur langeb alla 3°C/34°F, ilmub ekraanile sümbol ja jaam annab hoiatussignaali.



Probleemide lahendamine

Ekraanil puudub teave	<ul style="list-style-type: none"> ❖ Kontrollige, kas patareid on seadmesse õigesti paigaldatud.
Väliselt andurilt temperatuuri/niiskust ei kuvata.	<ul style="list-style-type: none"> ❖ Kontrollige, et jaama ja anduri vaheline kaugus ei ületaks 30 m (soovitav) ❖ Veenduge, et jaam ja andur oleksid monitoridest ning teleritest vähemalt 2 m kaugusel. ❖ Vältige seadmete paigutamist metallist aknaraamidele või nende lähedusse. ❖ Vältige jaama kasutamist samal sagedusel (433 MHz) töötavate elektroonikaseadmete, näiteks kõlarite läheduses. ❖ Eemaldage patareid, oodake hetk ja sisestage need uuesti.
Kuvatav temperatuur on vale.	<ul style="list-style-type: none"> ❖ Eemaldage patareid, oodake hetk ja sisestage need uuesti. ❖ Veenduge, et jaama või andurit ei mõjutaks soojusallikad, konditsioneerid jne. Või andur asub kohas, mis on avatud otsese päikesevalguse toimele.

Spetsifikatsioon:

- Sise/välitemperatuuri kuvamine
- Sise/välisniiskuse kuvamine
- Temperatuuri/niiskuse suundumuse kuvamine
- Ilmaprognoos järgmiseks 12-24 tunniks
- Külumispunkti näit
- Kell (12/24-tunnine formaat)
- Juhtmevaba välisandur (1 tk kaasas)
- LCD kuvar
- Juhtmevaba anduri toiteallikas: 2 x 1,5 V patarei (suurus AAA, kaasas)
- Välise juhtmevaba anduri toiteallikas: 2 x 1,5 V patarei (suurus AA, kaasas)
- Juhtmevaba anduri töösagedus: 433,92 MHz
- Võimsustarbimine: 18 mW (peaüksus), 24 mW (juhtmevaba saatja)
- Seinakinnitus / Lauastatiiv
- Seadme mõõtmed: 81 x 26 x 93 mm
- LCD-ekraani mõõtmed: 53 x 62 mm
- Seadme netokaal: 0,073 kg
- Anduri mõõtmed: 38 x 19 x 100 mm
- Anduri netokaal: 0,032 kg

Svarbi informacija

- Privaloma išsaugoti šias naudojimo instrukcijas ir saugos informaciją būsimam naudojimui.
- Neleiskite skysčiams lašėti ar išsiliėti ant įrenginio.
- Draudžiama taip pat naudoti jį drėgnose vietose, pvz. vonios kambaryje.
- Draudžiama įrengti šį įrenginį tokiose vietose:
- Vietos neapsaugotos nuo tiesioginių saulės spindulių ar šalia radiatorių.
- Dėti jį ant viršaus kitos stereofoninės įrangos, kuri išleidžia šilumą.
- Blokuojant ventiliaciją arba dulkėtoje vietoje.
- Vietose, kuriose vyksta nuolatinė vibracija.
- Vietose, kur yra didelė drėgmė.
- Draudžiama dėti įrenginį arti žvakių ar atviros liepsnos.
- Įrenginys gali būti naudojamas tik šiame vadove aprašytu būdu.
- Prieš įjungdami maitinimą pirmą kartą, įsitikinkite, kad srovės adapteris yra tinkamai prijungtas.

Dėl saugumo priežasčių, draudžiamas gaubtų išmontavimas bei įrenginio vidaus atskleidimas. Įrenginio remontas turėtų būti aptarnaujamas kvalifikuoto techninio personalo. Draudžiama ardyti įrenginį bei atidarinėti jo korpusą, nes jo viduje nėra jokių dalių, kurias galėtų naudotojas pataisyti. Techninė priežiūra ir remontas aptarnaujami tik kvalifikuoto techninio personalo.

SAUGOS INSTRUKCIJOS

1. Perskaitykite instrukcijas – prieš naudodami įrenginį perskaitykite visą naudojimo instrukciją ir saugos informaciją.
2. Išsaugokite instrukcijas – privaloma išsaugoti naudojimo ir valdymo instrukcijas būsimam naudojimui.
3. Laikykitės įspėjimų – privaloma laikytis visų prietaiso įspėjimų pateiktų ant įrenginio ir vadovautis naudojimo instrukcijomis.
4. Laikykitės instrukcijų – privaloma vadovautis naudojimo instrukcijomis bei nurodymais vartotojui.
5. Diegimas – nustatykite įrenginį pagal gamintojo instrukcijas.
6. Maitinimo šaltiniai – įrenginys turi būti maitinamas tik iš šaltinių, kurių parametrai nurodyti maitinimo laido žymenyse. Jei vartotojas nėra tikras, kokios energijos tipą turi namuose, turėtų susisiekti su savo įrenginio platintoju arba vietiniu elektros energijos tiekėju.
7. Vanduo ir drėgmė – norėdami sumažinti gaisro ar elektros smūgio pavojų, saugokite įrenginį nuo tiesioginio lietaus, vandens ir drėgmės poveikio, tokio kaip pvz. saunoje ar vonioje. Nenaudokite šio įrenginio šalia vandens, pavyzdžiui, prie vonios, kriauklės, virtuvės ar kubelio, šlapiame rūsyje arba prie baseino (ar panašiose vietose).

8. Objektai ir skysčiai įrenginyje – draudžiama kišti bet kokius daiktus per įrenginio angas, nes jie gali liestis su pavojingos įtampos taškais ir komponentais, dėl ko gali kilti gaisras arba įvykti elektros smūgis. Griežtai draudžiama išpilti bet kokius skysčius ant įrenginio paviršiaus. Draudžiama dėti ant įrenginio viršaus objektus, kuriuose yra skysčių.

9. Techninis aptarnavimas – draudžiama savarankiškai bandyti asmeniškai naršyti įrenginį. Dangčio atidarymas gali sukelti kontaktą su pavojinga įtampa ir sukelti vartotojui kitus pavojus. Techninė priežiūra ir remontas aptarnaujami tik kvalifikuoto techninio personalo.

10. Atsarginės dalys – keičiant dalis, įsitikinkite, kad techninės priežiūros darbuotojas panaudojo gamintojo rekomenduotas atsargines dalis arba kad dalys yra identiškos originalioms dalims. Nepatvirtintų dalių panaudojimas sukelia gaisro, elektros smūgio pavojų ar kitus pavojus.

11. Didžiausią įrenginio aplinkos temperatūra tai 35°C.

12. Patarimai dėl elektrostatiinių iškrovų - jei prietaiso veiksmingumas yra veikiamas elektrostatiinių iškrovimų, išjunkite jį ir vėl įjunkite arba perkelkite įrenginį į kitą vietą.

13. Baterija

a. Baterijos negali būti veikiamos per didelės temperatūros, pavyzdžiui, saulės spindulių, ugnies ir tt.

b. Išmesdami baterijas, atkreipkite dėmesį į aplinkosaugos aspektus.

c. Įspėjimas dėl baterijų naudojimo: norėdami išvengti baterijų nutekėjimo, dėl kurio galite sužaloti savo kūną ar sugadinti įrenginį:

- Įdėdami bateriją atkreipkite dėmesį į jos poliarizaciją (+ ir -).
- Nenaudokite skirtingų baterijų tuo pačiu laiku - senų ir naujų, standartinių ir šarminių baterijų ir kt.
- Ilgesnį laiką nesinaudojant įrenginiu, išimkite iš jo baterijas.

ĮSPĖJIMAS

Įrenginiu neturėtų naudotis asmenys (įskaitant vaikus), turintys mažesnes fizines, juslines ar psichines galimybes, ir asmenys, neturintys pakankamai žinių ir patirties, jei jie nėra prižiūrimi asmenų atsakingų už jų saugą, ir nebuvo jiems nurodyta, kaip saugiai naudoti įrenginį. Suaugusių asmenų buvimas reikalingas, jei vaikai naudoja prietaisą; tai užtikrins saugų įrenginio naudojimą.

1. Niekada nepalikite veikiančio įrenginio be priežiūros. Išjunkite prietaisą, kai jis nenaudojamas, net trumpą laiką.

2. Prietaiso negalima valdyti per išorinį laikrodį su sinchronizavimo grandinėmis arba per atskirą nuotolinio valdymo sistemą.

3. Norėdami išvengti pavojaus maitinimo laido sužalojimo atveju, jį pakeisti turėtų gamintojas, įgaliotas aptarnavimo centras ar kitas kvalifikuotas asmuo.

4. Prieš pradėdami įrenginio naudojimą patikrinkite, ar jo įtampa atitinka vietos maitinimo įtampą.
5. Norėdami išvengti gaisro ar elektros smūgio, apsaugokite prietaisą nuo karštų vietų, lietaus, drėgmės ir dulkių poveikio.
6. Saugokite įrenginį nuo stipraus magnetinio lauko.
7. Draudžiama statyti įrenginį tiesiai ant stiprintuvo ar AV imtuvo.
8. Draudžiama statyti įrenginį drėgnoje vietoje, nes drėgmė neigiamai veikia elektrinius komponentus.
9. Kai įrenginys atnešamas iš šaltos į šiltą vietą arba į drėgną vietą, ant objektyvo, esančio grotuvo viduje, gali įvykti drėgmės kondensacija. Tokiu atveju įrenginys dirbs netinkamai. Palikite įrenginį maždaug vienai valandai, kad drėgmė išgaruotų.
10. Draudžiama valyti įrenginį cheminiais tirpikliais, nes jie gali pažeisti dengiamąjį laką. Prietaisą valykite švariu, sausu arba šiek tiek drėgnu skudurėliu.

DĖMESIO

Deklaracija

Šiuo Blaupunkt Competence Center 2N-Everpol Sp. z o.o. deklaruoja, kad šis įrenginys atitinka Direktyvos 2014/53 / ES reikalavimus ir kitas atitinkamas nuostatas. Visą atitiktą deklaraciją galite rasti interneto svetainėje www.blaupunkt.com gaminio skryjuje.

Atsakingas subjektas 2N-Everpol Sp. Z o.o.

Puławska 403A, 02-801 Warszawa, Polska

Telefonas: +48 22 688 08 00, e. paštas: info@everpol.pl



Produktas pagamintas iš aukštos kokybės medžiagų ir komponentų, kuriuos galima perdirbti ir pakartotinai naudoti.



Jei ant jūsų įrenginio randasi išbrauktas šiukšliadėžės žymeklis, tai reiškia, kad gaminį reglamentuoja Europos direktyvos 2012/19 /EU nuostatos. Privaloma susipažinti su vietos elektros ir elektroninių atliekų surinkimo sistemos reikalavimais. Privaloma laikytis vietinių taisyklių. Draudžiama išmesti šį įrenginį kartu su įprastomis buitinėmis atliekomis. Tinkamas senojo produkto pašalinimas užtikrins galimų neigiamų pasekmių aplinkai ir žmonių sveikatai prevenciją.



Šiame įrenginyje yra baterijos, kurioms taikoma Europos direktyva 2006/66/EC. Baterijas draudžiama išmesti kartu su buitiniemis atliekomis. Privaloma susipažinti su vietos atskirų medžiagų rinkimo reglamentus, nes dėl teisingo šalinimo bus išvengta galimų neigiamų pasekmių aplinkai ir žmonių sveikatai.

Informacija apie aplinkos apsaugą

Pakuotėje yra tik būtini elementai. Buvo imtasi visų pastangų, kad būtų galima lengvai atskirti tris pakuotės sudedamąsias dalis: kartoną (dėžė), polistirolu putplastį (apsauginė dangą) ir polietilenu (krepšeliai, apsauginis lakštas). Prietaisas pagamintas iš medžiagų, kurios gali būti perdirbamos ir pakartotinai panaudotos, kai jas išmontuoja specializuota įmonė. Privaloma laikytis vietinių pakavimo medžiagų, sunaudotų baterijų ir nereikalingų įrenginių šalinimo taisyklių.

Medžiagų įrašymui ir atkūrimui gali reikėti sutikimo. Žr. autorių teisių ir atlikėjų/artistų teisių įstatymą.

Pastaba apie ERP2 (su energija susijusią įrangą)

Šis ekologinio projektavimo įrenginys atitinka Komisijos reglamento (EB) Nr. 1275/2008, kuriuo įgyvendinama Direktyva 2009/125/EB dėl nenaudojamų ir budėjimo režimo elektroninių prietaisų energijos vartojimo biure ir buities reikmėms, 2 etapui.

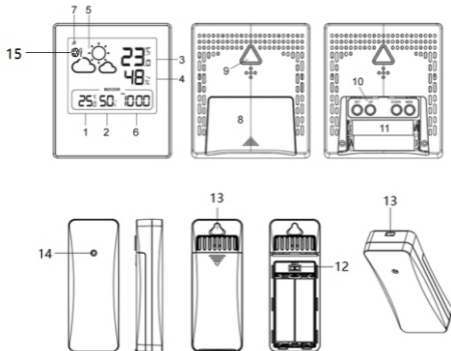
Dėkojame, kad įsigijote mūsų meteorologinę stotelę. Šis modelis turi šias funkcijas.

Funkcijos

- Orų prognozė: saulėta, dalinis debesuotumas, debesuotumas, lietus, sniegas.
- Užšalimo temperatūros indikatorius.
- Vidaus/lauko temperatūra.
- Vidaus/lauko drėgnumas.
- Vidaus ir lauko temperatūros ir drėgmės matavimų minimalių ir maksimalių verčių atmintis.
- 12/24 valandų laikrodžio režimas.
- Išorinis, belaidis temperatūros ir drėgmės jutiklis.

Prašome atidžiai susipažinti su šia instrukcija ir ją perskaityti prieš pradėdant naudoti prietaisą. Išsaugokite instrukciją, kad galėtumėte peržiūrėti ateityje.

Vaizduoklis ir valdymo elementai



1. Vidaus temperatūra / tendencija
2. Vidaus drėgnumas/tendencija
3. Išorės temperatūra / tendencija
4. Lauko drėgnumas/tendencija
5. Animacinė orų prognozė
6. Laikrodis
7. Signalo priėmimo iš išorinio jutiklio rodiklis
8. Baterijos skyriaus dangtis
9. Montavimo anga pakabinimui
10. Reguliavimo mygtukai: nustatymai (SET)/ aukštyn (UP) / žemyn (DOWN) / atmintis (MEM);
11. Baterijų skyrius
12. Jutiklio kanalo jungiklis
13. Montavimo angos pakabinimui
14. Jutiklio indikatorius
15. Užšalimo temperatūros indikatorius

Instaliacija

Atidarykite baterijų skyriaus dangtį įdėkite dvi AAA baterijas į meteorologinę stotelę, tada įdėkite dvi 2 AA baterijas į išorinį jutiklį pagal kameroje parodytą poliškumą. (Baterijos komplektacijoje) Kad produktas veiktų geriausiai, rekomenduojame naudoti aukštos kokybės šarmines baterijas. Nerekomenduojama naudoti „heavy duty“ tipo baterijų arba akumuliatorių. Meteorologinės stotelės vaizduoklis išsijungs išsikrovus baterijai. (Apytikslis darbo su nauja baterija laikas: 6 mėnesiai meteorologinei stotelei, 12 mėnesių išoriniam belaidžiam jutikliui. Nurodytas darbo laikas yra tik apytikris ir priklauso nuo daugelio veiksnių, pvz., naudojamų baterijų tipo, gamintojo, veikimo sąlygų ir t. t.)

Signalo priėmimas iš išorinio belaidžio jutiklio

Tinkamai įdiegus baterijas, meteorologinė stotelė automatiškai aptinka ir priima signalą iš lauko temperatūros ir drėgmės matavimo išorinio belaidžio jutiklio. Signalo paieška užtruks ne ilgiau kaip 3 minutes. Paieškos metu belaidžio jutiklio signalo priėmimo rodiklis mirksi ir stabilizuojasi, kai signalas priimamas sėkmingai. Jei stotis negauna signalo iš išorinio jutiklio, signalo priėmimo indikatorius dings po 3 minučių ir vaizduoklyje vietoj temperatūros ir išorinės drėgmės duomenų bus rodomas šis simbolis: „-“. Norėdami vėl įjungti signalo paiešką iš išorinio jutiklio, paspauskite ir palaikykite 3 sekundes mygtuką „aukštyn“.

Prietaiso padėtis ir kitos pastabos:

1. Ši meteorologinė stotelė palaiko tik 1 išorinį belaidį jutiklį. Jei jutiklis turi kanalo jungiklį, visada nustatykite jį ties „1“ kanalu. (* Jutiklis gali būti suderinamas su kitais, 3 kanalus palaikančiais modeliais)
2. Padėkite ir naudokite meteorologinę stotelę ir išorinį jutiklį 1,5-2 metrų atstumu nuo trukdžių šaltinių, pvz., kompiuterio monitorių ar

televizorių. Meteorologinę stotelę taip pat reikėtų statyti atokiau nuo langų su metaliniais rėmais.

3. Nenaudokite kitų elektroninių gaminių, pvz., ausinių ar garsiakalbių, veikiančių tuo pačiu signalo dažniu (433,92 MHz), nes jie gali sukelti trikdžių. Atkreipkite dėmesį, kad jei jūsų kaimynai naudoja elektroninius prietaisus, veikiančius tuo pačiu signalo dažniu (433,92 MHz), jie taip pat gali trukdyti tinkamą veikimą.

4. Norėdami užtikrinti tikslių patalpos temperatūros matavimą, meteorologinę stotelę pastatykite sausoje vietoje, kurioje nebūtų purvo ir dulkių. Pasirinkite vietą toliau nuo tiesioginių saulės spindulių ir kitų šilumos šaltinių, taip pat toliau nuo ventiliacijos angų.

5. Belaidį jutiklį galima įrengti lauke. Kad matavimas būtų kuo tikslesnis, pastatykite jutiklį vertikaliajo padėtyje, bent 1,5 ~ 2 metrų atstumu nuo žemės, nuo lietaus apsaugotoje ir gerą oro cirkuliaciją turinčioje vietoje. Saugokite jutiklį nuo ilgo tiesioginių saulės spindulių veikimo.

6. Maksimalus belaidžio jutiklio darbinis atstumas yra 80 metrų nuo meteorologinės stotelės be tarpinių kliūčių.

7. Signalas iš belaidžio jutiklio siunčiamas į stotį kas 114 sekundžių.

Laikrodžio nustatymai

Nuspauskite ir palaikykite nustatymo mygtuką 3 sekundes, ir vaizduoklyje mirksės informacija: 12/24H, paspauskite aukštyn (UP) arba žemyn (DOWN) mygtuką, kad pasirinktumėte laiko formatą – 12 arba 24 valandų; paspauskite nustatymų mygtuką (SET), kad patvirtintumėte pasirinkimą ir pereitumėte prie laiko nustatymo, paspauskite aukštyn (UP) arba žemyn (DOWN) mygtuką, kad nustatytumėte laiką; dar kartą paspauskite nustatymų mygtuką (SET), kad patvirtintumėte pasirinkimą ir pereitumėte prie minučių nustatymo – procedūra bus tokia pati kaip ir laiko nustatymui; paspauskite nustatymų mygtuką (SET) dar kartą, kad patvirtintumėte pasirinkimą ir užbaigtumėte laikrodžio nustatymą. (Paspauskite ir laikykite mygtuką aukštyn (UP) l arba žemyn (DOWN), kad pagreitintumėte reguliavimą.

Temperatūra ir drėgnumas

1. Vidaus temperatūros matavimo diapazonas: -10 ~ +50 °C / 14 ~ 122 °F.

2. Lauko temperatūros matavimo diapazonas: -30 ~ +60 °C / -22 ~ 140 °F. Dėmesio: LL.L °C arba HH.H °C vaizduoklyje rodoma, kai išmatuota temperatūros vertė nepatenka į pirmiau nurodytą diapazoną

3. Vidaus ir lauko drėgmės matavimo diapazonas: 1 % - 99 %

Dėmesio: LL% arba HH% vaizduoklyje rodoma, kai išmatuota drėgmės vertė nepatenka į pirmiau nurodytą diapazoną

4. Temperatūros matavimo tikslumas: $\pm 1,0^{\circ}\text{C}$ intervale nuo 0°C iki $+50^{\circ}\text{C} / 32^{\circ}\text{F} \sim 104^{\circ}\text{F}$..

$\pm 1,5^{\circ}\text{C}$ už pirmiau nurodyto diapazono ribų.

5. Drėgnumo matavimo tikslumas: $\pm 5\%$ (diapazonas nuo 40 iki 70 %), $\pm 8\%$ už diapazono ribų

6. Paspauskite atminties (MEM) mygtuką, kad patikrintumėte didžiausias ir mažiausias matavimo vertes, paspauskite ir palaikykite atminties (MEM) mygtuką, kad ištrintumėte šiuos duomenis rankiniu būdu. (Dėmesio: Didžiausia ir mažiausia matavimo vertės bus automatiškai panaikintos kiekvieną dieną 00:00 val.).

7. Paspauskite mygtuką žemyn (DOWN), kad pakeistumėte temperatūros vienetą: iš $^{\circ}\text{C}$ (Celsijaus laipsniai) iš $^{\circ}\text{C}$ (Farenheito laipsniai).

Temperatūros tendencija

Šalia temperatūros duomenų esanti rodyklė rodo temperatūros tendenciją. Jos kryptis kinta priklausomai nuo to, ar paskutinis temperatūros rodmuo yra didesnis, ar mažesnis už ankstesnius rodmenis.

Rodyklė į viršų = temperatūra padidėjo 1°C per paskutinę valandą.

Nėra rodyklės = temperatūra pasikeitė mažiau nei 1°C per paskutinę valandą.

Rodyklė į apačią = temperatūra sumažėjo 1°C per paskutinę valandą.

Drėgmės tendencija

Šalia drėgmės duomenų esanti rodyklė rodo drėgmės tendenciją. Jos kryptis kinta priklausomai nuo to, ar paskutinis drėgmės rodmuo yra didesnis, ar mažesnis už ankstesnius rodmenis.

Rodyklė į viršų = drėgnumas padidėjo 5 % per paskutinę valandą.

Nėra rodyklės = drėgmė nepasikeitė per paskutinę valandą.

Rodyklė į apačią = drėgnumas sumažėjo 5 % per paskutinę valandą.

Animacinė orų prognozė

Orų prognozė pagrįsta surinktais valandiniais temperatūros ir drėgmės duomenimis iš išorinio jutiklio. Stotelė prognozuoja oro sąlygas ateinančioms 12 valandų 70 - 75 % tikslumu. Numatytoji orų prognozės piktograma nustatyta kaip „dalinis debesuotumas“, orų prognozė bus automatiškai meteorologinė stotelės kalibruojama per pirmąsias 1 - 2 darbo savaites, remiantis remiantis išorinio jutiklio temperatūros ir drėgmės duomenimis.

Belaidis jutiklis turi būti įrengtas lauke, kad būtų gauti tikslūs temperatūros ir drėgmės duomenys, kitaip nukentės orų prognozės tikslumas.

Orų prognozė bus rodoma vienu iš šių derinių:



SAULĖTA



DALINIS DEBESUOTUMAS



DEBESUOTUMAS



LIETUS



SNIEGAS

Atkreipkite dėmesį, kad prietaisas prognozuoja orus remdamasis ribotais parametrais ir gali skirtis nuo oficialių orų prognozių, kurios apskaičiuojamos remiantis pažangiaisiais algoritmais.

Užšalimo temperatūros indikatorius

Kai lauko temperatūra nukrenta žemiau 3 °C (34 °F), ekrane pasirodo šis

simbolis  ir stotelė skleidžia įspėjamąjį signalą.

Problemų sprendimas

Trūksta informacijos vaizduoklyje	<ul style="list-style-type: none"> ❖ Patikrinkite, ar baterijos tinkamai įdėtos į prietaisą.
Temperatūra iš išorinio jutiklio nerodoma.	<ul style="list-style-type: none"> ❖ Patikrinkite, ar atstumas tarp stotelės ir jutiklio neviršija 30 m (rekomenduojama). ❖ Įsitinkite, kad stotelės ir jutiklis yra bent 2 m atstumu nuo monitorių ir televizorių. ❖ Venkite prietaisus statyti ant metalinių langų rėmų arba šalia jų. ❖ Nenaudokite stotelių šalia elektroninių įrenginių, pvz., garsiakalbių, kurie veikia tuo pačiu dažniu (433 MHz). ❖ Išimkite baterijas, truputį palaukite ir vėl jas įdėkite.
Rodoma neteisinga temperatūra.	<ul style="list-style-type: none"> ❖ Išimkite baterijas, truputį palaukite ir vėl jas įdėkite. ❖ Įsitinkite, kad stotelė ar jutiklis nėra veikiami šilumos šaltinių, oro kondicionierių ir pan. Arba jutiklis yra vietoje, kurioje yra tiesioginiai saulės spinduliai.

Specifikacija:

- Vidaus/lauko temperatūros rodymas
- Vidaus/lauko drėgmės rodymas
- Temperatūros/drėgmės tendencijos indikacija
- Orų prognozė ateinančioms 12 - 24 valandoms
- Užšalimo temperatūros indikatorius
- Laikrodis (12/24 valandų formatu)
- Belaidis išorinis jutiklis (1 vnt. komplektacijoje)
- Skystųjų kristalų vaizduoklis
- Pagrindinio įrenginio maitinimo šaltinis: dvi 1,5 V baterijos (AAA dydis, komplektacijoje)
- Išorinio jutiklio maitinimo šaltinis: dvi 1,5 V baterijos (AA dydis, komplektacijoje)
- Belaidžio jutiklio veikimo dažnis: 433,92 MHz
- Naudojami galia: 18 mW (pagrindinis prietaisas), 24 mW (belaidis siųstuvas)
- Sieninis kabiklis/Stalinis stovas
- Prietaiso matmenys: 81 x 26 x 93 mm
- LCD vaizduoklio matmenys: 53 x 62 mm
- Prietaiso grynasis svoris: 0,073 kg
- Jutiklio matmenys: 38 x 19 x 100 mm
- Jutiklio svoris: 0,032 kg

Pomembni podatki

- Shranite ta navodila za uporabo in poročila o varnosti, ker jih boste lahko potrebovali v prihodnosti.
- Ne dovolite, da se na napravo razlije oziroma nanjo kaplja tekočina.
- Naprave ne uporabljajte v vlažnih prostorih, kot je na primer kopalnica.
- Naprave ne smete namestiti na naslednji način:
- Naprava ne sme biti izpostavljena neposrednemu vplivu sončnih žarkov oz. se ne sme nahajati v bližini grelcev.
- Naprava se ne sme postaviti na drugo stereofonsko napravo, ki oddaja toploto.
- Naprava ne sme ovirati prezračevanja oz. se ne sme nahajati v zaprašenem prostoru.
- Naprava ne sme biti izpostavljena stalnim vibracijam.
- Naprava se ne sme nahajati v prostorih z visoko vlažnostjo.
- Naprava se ne sme nahajati v bližini sveče ali odprtega ognja.
- Napravo uporabljajte le na način, opisan v teh navodilih.
- Pred prvim vklopom napajanja se je treba prepričati, da je napajalnik pravilno priklopljen.

Zaradi varnosti ni dovoljeno razstavljanje ohišja oz. pronicanje v notranjost naprave. Napravo lahko popravi le usposobljeno servisno osebje.

Ne razstavlajte in ne odpirajte ohišja naprave, kajti noter ni delov, ki bi jih lahko popravil uporabnik. Vzdrževalna dela in popravila lahko opravljajo le usposobljeni serviserji.

POROČILA O VARNOSTI

1. Preberite navodila za uporabo – pred uporabo naprave je treba prebrati vsa navodila za uporabo in poročila o varnosti.
2. Shranite navodila za uporabo – navodila za uporabo je treba shraniti za primer kasnejše uporabe.
3. Upoštevajte opozorila – ukrepajte skladno z vsemi opozorili, ki jih vidite na napravi ter z opozorili, omenjenimi v navodilih za uporabo.
4. Sledite navodilom – ukrepajte skladno z navodili za uporabo in nasveti za uporabnika.
5. Namestitev – napravo postavite skladno s proizvajalčevimi navodili.
6. Viri napajanja – napravo napajajte izključno iz virov, ki odgovarjajo parametrom, navedenim na napajalnem kablu. Če niste prepričani, kakšno napajanje imate doma, obrnite se na prodajalca naprave oz. lokalnega dobavitelja električne energije.
7. Voda in vlaga – da bi zmanjšali tveganje požara ali električnega udara, naprave ne izpostavite neposrednemu vplivu dežja, vode in

vlage, na primer ne postavite je v savni ali kopalnici. Te naprave ne smete uporabljati v bližini vode, na primer zraven kadi, umivalnika, korita oz. škafo, v vlažni kleti oz. v bližini bazena (in podobnih mest).

8. Predmeti in tekočine v napravi – skozi odprtine v napravi ne potiskajte nobenih predmetov, saj se tisti predmeti lahko dotaknejo točk z nevarno napetostjo in s komponentami, kar lahko privede do požara oz. električnega udara. Nikakor ne razlijte nobenih tekočin na površino naprave. Na napravo ne smete postaviti predmetov, ki vsebujejo tekočine.

9. Servisiranje - naprave ne smete servisirati samostojno. Po odpiranju ohišja je uporabnik izpostavljen visoki napetosti in drugi nevarnosti. Vzdrževalna dela in popravila lahko opravljajo le usposobljeni serviserji.

10. Nadomestni deli – ob zamenjavi delov je treba preveriti, ali je serviser uporabil nadomestne dele proizvajalca oz. ali nadomestni deli ustrezajo originalnim delom. Uporaba nepotrjenih delov lahko privede do požara, električnega udara oz. drugih nevarnih razmer.

11. Maksimalna temperatura v prostoru, kje je naprava, je 35 °C.

12. Nasveti glede električnih razelektritev – če delovanje naprave motijo električne razelektritve, je treba napravo izklopiti in ponovno vklopiti oz. jo prestaviti na drugo mesto.

13. Baterija

a. Baterije ne smejo biti izpostavljene vplivu prekomerne toplote, npr. sončnih žarkov, ognja idr.

b. Pri odstranjevanju baterij je treba biti posebno pozoren na okoljevarstvena vprašanja.

c. Opozorilo glede uporabe baterije: da se prepreči puščanje baterije, ki lahko privede do poškodb telesa oz. naprave:

- Ob namestitvi baterij pazite na polarizacijo (+ in -).
- Skupaj ne smete uporabljati novih in starih baterij, standardnih in alkalnih idr.
- Če naprave več časa ne uporabljate, odstranite baterije.
-

OPOZORILO

Naprave ne smejo uporabljati osebe (vključno z otroki) z zmanjšano fizično, senzorično ali mentalno sposobnostjo ali brez izkušenj oz. znanja, razen če so pod nadzorom osebe, ki je odgovorna za njihovo varnost, oz. če so se poučile z navodili o varni uporabi naprave. Prisotnost odraslih je obvezna, če napravo uporabljajo otroci. S tem se lahko zagotovi varna uporaba naprave.

1. Vključene naprave ne smete pustiti brez nadzora! Napravo izklopite, tudi če naprava le nekaj časa počiva.

2. Naprave ne smete uporabljati preko zunanje ure s časovnim sistemom oz. preko ločenega sistema z daljinskim upravljanjem.

3. Da bi se izognili nevarnosti v primeru poškodovanja napajalnega kabla, zamenjave lahko opravi le proizvajalec, pooblaščen servisno podjetje oz. ustrezno usposobljen strokovnjak.
4. Pred začetkom uporabe naprave je treba preveriti, ali napetost naprave ustreza napetosti lokalnega električnega omrežja.
5. Da se prepreči nastajanje požara ali nevarnost električnega udara, napravo zaščitite pred vročino, vplivom dežja, vlage in praha.
6. Naprave ne izpostavite močnemu magnetnemu polju.
7. Naprave ne postavite neposredno na ojačevalnik ali sprejemnik.
8. Naprave ne postavite na vlažno mesto, ker ima vlaga negativni vpliv na električne komponente.
9. Ko napravo prestavite iz hladnega prostora v tople oz. vlažne prostor, lahko pride do kondenzacije vlage na leči znotraj predvajalnika. To lahko povzroči nepravilno delovanje naprave. Napravo pustite vklopljeno vsaj na eno uro, da vlaga izpari.
10. Naprave ne čistite s kemijskimi topili, ker se lahko na ta način poškoduje lakirana površina ohišja. Napravo obrišite s čisto, suho oz. rahlo navlaženo krpicco.

POZOR

Izjava

S tem Blaupunkt Competence Center 2N-Everpol Sp. z o.o. izjavlja, da je ta naprava v skladu z zahtevami in drugimi ustreznimi določili uredbe 2014/53/EU. Celotno izjavo o skladnosti si lahko ogledate na spletni strani www.blaupunkt.com v zavihku izdelka.

Odgovorni subjekt: 2N-Everpol Sp. Z o.o.

Puławska 403A, 02-801 Warszawa, Polska

Telefon: +48 22 688 08 00, e-naslov: info@everpol.pl



Naprava je izdelana iz visokokakovostnih materialov ter komponent, ki se lahko reciklirajo in ponovno uporabijo.



Če je na napravi oznaka prekrížan zaboynik za odpadke, to pomeni, da za izdelek veljajo določila evropske smernice 2012/19/EU. Seznaniti se je treba z lokalnimi zahtevami za zbiranje električnih ter elektronskih odpadkov. Ukrepati je treba v skladu z lokalnimi predpisi. Izdelek se ne sme odstranjevati skupaj z navadnimi odpadki. Ustrezno odstranjevanje starega izdelka pomaga izključiti morebitne negativne učinke na okolje in človekovo zdravje.



Naprava je opremljena z baterijo, ki jo določa evropska smernica 2006/66/EC. Baterija se ne sme odstranjevati skupaj z gospodinjskimi odpadki. Treba se je seznaniti z lokalnimi predpisi za ločeno zbiranje odpadnih baterij, ker le ustrezna odstranitev preprečuje morebitne negativne učinke za okolje in človekovo zdravje.

Podatki za varovanje okolja

Komplet vsebuje samo potrebne elemente. Prizadevali smo si, da bodo vsi trije elementi embalaže lahko odstranljivi: karton (škatla), polistirenska pena (zunanja zaščita) in polietilen (vreče, zaščitna plast). Naprava je izvedena iz materialov, ki se lahko reciklirajo, ter jih lahko po demontaži s strani strokovnega podjetja ponovno uporabljamo. Upoštevati je treba lokalne predpise za odstranjevanje embalaž, porabljenih baterij ter nepotrebnih naprav.

Za zapisovanje in predvajanje je treba obvezno pridobiti soglasje. Glej Zakon o avtorskih pravicah in pravicah izvajalcev/umetnikov.

Opomba glede ERP2 (naprav, povezanih z energijo)

Ta naprava z ekonačrtom izpolnjuje zahteve 2. etape Uredbe Komisije (ES) št. 1275/2008 o izvajanju Uredbe 2009/125/ES glede porabe energije o vzpostavitvi okvira za določanje zahtev za primerno okoljsko zasnovano izdelkov, povezanih z energijo.

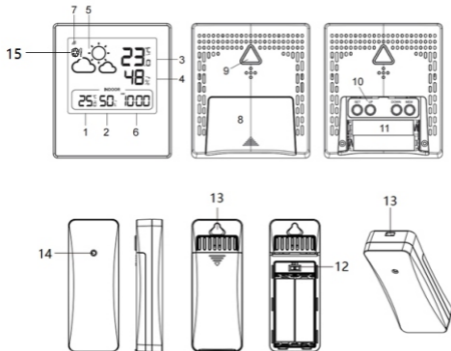
Zahvaljujemo se Vam za nakup naše vremenske postaje. Ta model ima naslednje funkcije.

Funkcije

- Napovedovanje vremena: sončno, delno oblačno, oblačno, dež, sneg.
- Indikator zmrziščne točke.
- Notranja / zunanja temperatura.
- Notranja / zunanja vlažnost.
- Pomnjenje minimalnih in maksimalnih vrednosti meritev notranje in zunanje temperature in vlažnosti.
- 12/24-urni način ure.
- Zunanji, brezžični senzor temperature in vlažnosti.

Prosimo, da pred začetkom uporabe naprave natančno preberete ta navodila za uporabo in zagotovite skladnost z njimi. Prosimo, da navodila shranite za morebiti potrebno poznejšo uporabo.

Zaslon in krmilni elementi



- | | |
|--|---------------------------------|
| 1. Notranja temperatura / trend | 2. Notranja vlažnost / trend |
| 3. Zunanja temperatura / trend | 4. Zunanja vlažnost / trend |
| 5. Animirana napoved vremena | 6. Ura |
| 7. Indikator sprejema signala zunanjega senzorja | |
| 8. Pokrov prostora za baterije | 9. Luknja za obesitev |
| 10. Nastavitvene tipke: nastavitve (SET)/gor(UP)/dol (DOWN)/ spomin (MEM); | 11. Prostor za baterije |
| 12. Stikalo za preklapljanje med senzorskimi kanali | |
| 13. Luknje za obesitev | 14. Indikatorska lučka senzorja |
| 15. Indikator zmrziščne točke | |


Namestititev

Odprite pokrov prostora za baterije. Vstavite 2 bateriji AAA v vremensko postajo, nato vstavite 2 bateriji AA v zunanji senzor skladno s polarnostjo, kot prikazano v prostoru za baterije. (Baterije so priložene.)

Za najboljše delovanje izdelka priporočamo uporabo visokokakovostnih alkalnih baterij. Odsvetuje se uporabo baterij tipa „Heavy Duty“ ali akumulatorskih baterij. Zaslonski prikaz vremenske postaje se v primeru izpraznitve baterije izklopi. (Približni čas delovanja z novo baterijo je 6 mesecev za vremensko postajo in 12 mesecev za brezžični zunanji senzor. Podana časa delovanja sta le približna, dejansko trajanje delovanja je odvisno od številnih dejavnikov, kot so vrsta uporabljenih baterij, proizvajalec, pogoji delovanja itd.)

Sprejemanje signala z zunanjega brezžičnega senzorja

Po pravilni namestitvi baterije vremenska postaja samodejno zaznava in sprejema signaliziranje zunanje temperature in vlažnosti z brezžičnega zunanjega senzorja. Iskanje signala traja do največ 3 minute. Med iskanjem bo indikator sprejemanja signala brezžičnega

senzorja  utripal in se po uspešnem sprejemu signala stabiliziral. Če postaja ne sprejme signala z zunanjega senzorja, indikator sprejema signala po poteku 3 minut izgine in na zaslonu se namesto podatkov o zunanji temperaturi in vlažnosti prikaže naslednji simbol: "- -". Za ponovni vklop iskanje signala z zunanjega senzorja pritisnite in za 3 sekunde pridržite pritisnjeno tipko „gor“.

Postavitev naprave in druga navodila – opombe:

1. Ta vremenska postaja podpira samo 1 brezžični zunanji senzor. Če ima senzor preklopnik kanalov, ga vedno nastavite v položaj kanal "1" (* Senzor je lahko združljiv z drugimi modeli, ki podpirajo 3 kanale)
2. Prosimo, da vremensko postajo in zunanji senzor postavite in uporabljate 1,5 ~ 2 metra stran od virov motenj, kot so računalniški

monitorji in TV sprejemniki. Vremenska postaja se mora nahajati tudi stran od oken s kovinskimi okvirji.

3. Ne uporabljajte drugih elektronskih artiklov, kot so slušalke ali zvočniki, delujočih na isti frekvenci signala (433,92 MHz), saj lahko povzročijo motnje. Vedite, da lahko pravilno delovanje motijo tudi vaši sosedje, če uporabljajo elektronske naprave, delujoče na isti frekvenci signala (433,92 MHz).

4. Za zagotovitev natančnih meritev notranje temperature postavite vremensko postajo na suho mesto brez umazanije in prahu. Izberite zanj mesto, ki bo stran od neposredne sončne svetlobe in drugih virov toplote ter stran od prezračevalnih odprtín.

5. Brezžični senzor lahko namestite na prostem. Za najboljšo možno natančnost merjenja postavite senzor v pokončen položaj in tako, da bo vsaj 1,5 ~ 2 metra od tal, namestite ga na mesto, zaščiteno pred dežjem in z dobrim kroženjem zraka. Senzor ne sme biti dlje časa izpostavljen neposredni sončni svetlobi.

6. Delovna oddaljenost brezžičnega senzorja od vremenske postaje je lahko do največ 80 metrov, pod pogojem, da vmes ni ovir.

7. Signal se z brezžičnega senzorja pošlje postaji na vsakih 114 sekund.

Nastavitev ure

Pritisnite in držite 3 sekunde pritisnjeno tipko nastavitev (SET) in na zaslonu se bo pojavila utripajoča informacija: 12/24H, pritisnite tipko gor (UP) ali dol (DOWN) za izbor 12- ali 24-urne oblike časa; pritisnite tipko nastavitev (SET), da potrdite izbor in preidete na vnos ur, s pritiskom tipke gor (UP) ali dol (DOWN) nastavite uro; ponovno pritisnite tipko nastavitev (SET), da potrdite izbor in se pomaknete na nastavitev minut – kar se opravi enako kot pri nastavitvi ur; Ponovno pritisnite tipko nastavitev (SET), da potrdite izbor in dokončate nastavitev časa ure. (Pritisnite in držite pritisnjeno tipko gor (UP) ali dol (DOWN) za pospešitev nastavitve.)

Temperatura in vlažnost

1. Razpon merjenja notranje temperature: $-10 \sim +50 \text{ }^{\circ}\text{C}$ / $14 \sim 122 \text{ }^{\circ}\text{F}$.

2. Razpon merjenja zunanje temperature: $-30 \sim +60 \text{ }^{\circ}\text{C}$ / $-22 \sim 140 \text{ }^{\circ}\text{F}$.

Opomba: LL.L $^{\circ}\text{C}$ ali HH.H $^{\circ}\text{C}$ se prikaže na zaslonu, kadar je izmerjena vrednost temperature zunaj zgornjega razpona

3. Razpon merjenja notranje in zunanje vlažnosti: 1%-99%

Opomba: LL% ali HH% se prikaže na zaslonu, kadar je izmerjena vrednost vlažnosti zunaj zgornjega razpona

4. Natančnost merjenja temperature: $\pm 1,0^{\circ}\text{C}$ na razponu od 0°C do $+50^{\circ}\text{C}$ / $32^{\circ}\text{F} \sim 104^{\circ}\text{F}$,

$\pm 1,5^{\circ}\text{C}$ izven tega razpona.

5. Natančnost merjenja vlažnosti: $\pm 5 \%$ (na razponu 40-70%), $\pm 8 \%$

izven tega razpona

6. Pritisnite tipko pomnilnika (MEM), da preverite najvišje in najnižje vrednosti meritev, pritisnite in pridržite pritisnjeno tipko pomnilnika (MEM), da ročno počistite te podatke. (Opomba: Najvišje in najnižje vrednosti meritev se samodejno brišejo vsak dan ob 00:00).

7. Pritisnite tipko dol (DOWN), da spremenite temperaturno enoto s °C (stopinje Celzija) na °F (stopinje Fahrenheita).

Trend temperature

Puščica zraven temperaturnih podatkov kaže na trend temperature. Njena smer se spreminja v odvisnosti od tega, ali je zadnji odčitek temperature višji ali nižji od prejšnjih odčitkov.

Puščica obrnjena navzgor = temperatura se je v zadnji uri dvignila za 1 °C.

Ni puščice = temperatura se je v zadnji uri spremenila za manj kot 1 °C.

Puščica obrnjena navzdol = temperatura se je v zadnji uri padla za 1 °C.

Trend vlažnosti

Puščica zraven podatkov o vlažnosti kaže trend vlažnosti. Njena smer se spreminja v odvisnosti od tega, ali je zadnji odčitek vlažnosti višji ali nižji od prejšnjih odčitkov.

Puščica obrnjena navzgor = vlažnost se je v zadnji uri povečala za 5 %.

Ni puščice = vlažnost se v zadnji uri ni spremenila.

Puščica obrnjena navzdol = vlažnost se je v zadnji uri zmanjšala za 5 %.

Animirana napoved vremena

Napoved vremena temelji na urnih podatkih o temperaturi in vlažnosti, pridobljenih z zunanjega senzorja. Postaja napoveduje vremenske razmere za naslednjih 12 ur z natančnostjo 70-75%. Napoved vremena je privzeto nastavljena na ikono "delno oblačno", vremenska postaja bo samodejno umerila vremensko napoved v prvih 1-2 tednih delovanja na podlagi podatkov o temperaturi in vlažnosti, prejetih z zunanjega senzorja.

Brezžični senzor je treba namestiti zunaj, da se lahko pridobijo natančni podatki o temperaturi in vlažnosti, v nasprotnem primeru je natančnost vremenske napovedi slabša.

Napoved vremena se prikaže z eno od naslednjih ikon:



SONČNO



DELNO OBLAČNO



OBLAČNO



DEŽ




SNEG

Upoštevajte, da naprava napoveduje vreme na podlagi omejenih parametrov in se lahko njene napovedi razlikujejo od uradnih vremenskih napovedi, ki se jih pripravljajo z uporabo naprednih algoritmov.

Indikator zmrziščne točke

Kadar je zunanja temperatura pod 3°C/34°F, se na zaslonu prikaže ta

simbol -  poleg tega postaja odbojni opozorilni signal.

Reševanje problemov

Na zaslonu ni informacije.	❖ Preverite, ali so baterije pravilno vstavljene v napravo.
Temperatura z zunanjega senzorja se ne prikazuje.	<ul style="list-style-type: none"> ❖ Preverite, da razdalja med postajo in senzorjem ne presega 30 m (kot je priporočeno) ❖ Prepričajte se, da sta postaja in senzor vsaj 2 m stran od monitorjev in TV sprejemnikov. ❖ Preverite, ali se naprava ne nahaja blizu kovinskih okenskih okvirjev ❖ Preverite, ali se naprava ne uporablja v bližini elektronskih naprav, kot so zvočniki, delujoči na isti frekvenci (433 MHz). ❖ Odstranite baterije, počakajte nekaj časa in jih nato znova vstavite.
Prikazana temperatura je nepravilna.	<ul style="list-style-type: none"> ❖ Odstranite baterije, počakajte nekaj časa in jih nato znova vstavite. ❖ Prepričajte se, da na postajo ali senzor ne vplivajo viri toplote, klimatske naprave ipd. ter da se senzor nahaja na mestu, izpostavljenem neposredni sončni svetlobi.

Specifikacija:

- Prikaz notranje/zunanje temperature
- Prikaz notranje/zunanje vlažnosti
- Prikaz trenda temperature/vlažnosti
- Napoved vremena za naslednjih 12-24 ur
- Indikator zmrziščne točke
- Ura (12-/24-urni način)
- Brezžični zunanji senzor (1 kos priložen)
- Zaslon LCD
- Vir napajanja glavne enote: bateriji 2 x 1,5 V (velikost AAA, priloženi)
- Vir napajanja za zunanji brezžični senzor: bateriji 2 x 1,5 V (velikost AA, priloženi)
- Delovna frekvenca brezžičnega senzorja: 433,92 MHz
- Poraba moči: 18 mW (glavna enota), 24 mW (brezžični oddajnik)
- Stensko obešalo / namizno stojalo
- Mere naprave: 81 x 26 x 93 mm
- Mere zaslona LCD: 53 x 62 mm
- Neto teža naprave: 0,073 kg
- Mere senzorja: 38 x 19 x 100 mm
- Neto teža senzorja: 0,032 kg

Svarīga informācija

- Saglabājiet lietošanas instrukciju un informāciju par drošību turpmākai izmantošanai.
- Nepieļaujiet šķidrums pilēšanu vai izliešanu uz ierīces. Ierīci nedrīkst arī lietot mitrās vietās, piemēram, vannas istabā.
- Šo ierīci nedrīkst uzstādīt šādās vietās:
- vietās, kas pakļautas tiešai saules staru iedarbībai, vai radiatoru tuvumā;
- novietojot to uz cita stereoaprikojuma, kas rada siltumu;
- bloķējot ventilāciju vai putekļainā vietā;
- vietās, kas pakļautas nepārtrauktām vibrācijām;
- vietās ar augstu mitruma līmeni.
- Ierīci nedrīkst uzstādīt sveču vai atklātas uguns tuvumā.
- Ierīci var lietot tikai šajā instrukcijā aprakstītajā veidā.

Pirms ierīces pirmās ieslēgšanas reizes pārliecinieties, ka barošanas bloks ir pareizi pievienots.

Drošības apsvērumu nedrīkst demontēt korpusus un iekļūt ierīces iekšpusē. Ierīces remonts jāveic kvalificētam servisa centra personālam.

Neizjauciet ierīci un neatveriet tās korpusu, jo tās iekšā nav nekādu elementu, ko lietotājs var remontēt patstāvīgi. Ierīces tehnisko apkopi un remontu var veikt tikai kvalificēti servisa centra darbinieki.

DROŠĪBAS INSTRUKCIJAS

1. Izlasiet instrukcijas — pirms ierīces lietošanas sākšanas izlasiet visu lietošanas instrukciju un informāciju par drošību.
2. Saglabājiet instrukcijas — saglabājiet lietošanas instrukcijas to turpmākai izmantošanai.
3. Ievērojiet brīdinājumus — ievērojiet visus brīdinājumus, kas sniegti uz ierīces, un lietošanas instrukcijas.
4. Ievērojiet instrukciju — ievērojiet lietošanas instrukciju un norādījumus lietotājam.
5. Uzstādīšana — uzstādiet ierīci atbilstoši ražotāja instrukcijām.
6. Barošanas avoti — ierīcei ir jābūt barotai tikai no avotiem ar parametriem, kas norādīti marķējumā uz barošanas kabeļa. Ja lietotājs nav pārliecināts, kāda veida barošanas avots ir viņa mājās, viņam ir jāsazinās ar ierīces pārdevēju vai vietējo elektroenerģijas piegādātāju.
7. Ūdens un mitrums — lai samazinātu ugunsgrēka vai elektrošoka risku, nepakļaujiet ierīci tiešai lietus, ūdens un mitruma iedarbībai, piemēram, pirti vai vannas istabā. Nelietojiet šo ierīci ūdens tuvumā, piemēram, vannas, izlietnes, virtuves izlietnes vai veļas tovera tuvumā,

mitrā pagrabā vai peldbaseina tuvumā (vai līdzīgās vietās).

8. Priekšmeti un šķidrums ierīcē — neievietojiet nekādus priekšmetus cauri ierīces atverēm, jo tie var saskarties ar vietām zem bīstamā sprieguma un detaļām, kas var izraisīt ugunsgrēku vai elektrošoku. Nekādā gadījumā nedrīkst izliet nekādus šķidrumus uz ierīces virsmas. Uz ierīces augšpusi nedrīkst novietot priekšmetus, kas satur šķidrumus.

9. Tehniskā apkope un remonts — nemēģiniet patstāvīgi veikt ierīces apskati. Vāka atvēršana var izraisīt saskari ar bīstamu spriegumu un citā veidā apdraudēt lietotāju. Ierīces tehnisko apkopi un remontu var veikt tikai kvalificēti servisa centra darbinieki.

10. Rezerves daļas — nomainot ierīces daļas pret jaunām, pārliecinieties, ka servisa centra darbinieks ir izmantojis ražotāja ieteiktās rezerves daļas vai ka tās ir identiskas oriģinālajām daļām. Daļas nomaiņas veikšana, izmantojot neapstiprinātas daļas, var izraisīt ugunsgrēku, elektrošoku vai citus riskus.

11. Maksimālā temperatūra ierīces apkārtnē ir 35 °C.

12. Norādījumi par elektrostatiskajām izlādēm — ja ierīces darbību traucē elektrostatiskās izlādes, izslēdziet ierīci un atkārtoti ieslēdziet to vai pārvietojiet ierīci citā vietā.

13. Baterija

a. Baterijas nedrīkst pakļaut pārmērīga siltuma, piemēram, saules staru, uguns u. tml. iedarbībai.

b. Utilizējot baterijas, pievērsiet uzmanību apkārtējās vides aizsardzības aspektiem.

c. Brīdinājums par bateriju lietošanu: lai novērstu baterijas noplūdi, kas var izraisīt traumas vai ierīces bojājumus:

- ievietojot bateriju, ņemiet vērā tā polaritāti (+ un –);
- nedrīkst vienlaicīgi lietot dažāda veida baterijas — vecās un jaunās, standarta un sārma baterijas utt.;
- izņemiet baterijas no ierīces, kad tā netiek lietota ilgāku laiku.

Piezīme par ERP2 (ar enerģiju saistītajām iekārtām)

Šī ekodizaina ierīce atbilst Komisijas Regulas (EK) Nr. 1275/2008, ar ko īsteno Eiropas Parlamenta un Padomes Direktīvā 2005/32/EK iestrādātās ekodizaina prasības attiecībā uz elektrisko, elektronisko mājsaimniecības un biroja iekārtu elektroenerģijas patēriņu gatavības un izslēgtā režīmā, 2. posma prasībām.

BRĪDINĀJUMS

Ierīci nedrīkst lietot personas (tostarp bērni) ar samazinātām fiziskām, maņu vai garīgām spējām un personas ar nepietiekamām zināšanām

un pieredzi, ja vien viņas neatrodas personas, kas atbilst par viņu drošību, uzraudzībā un nav apmācītas, kā droši lietot ierīci. Pieaugušo klātbūtne ir nepieciešama, ja ierīci lieto bērni, lai nodrošinātu drošu ierīces lietošanu.

1. Neatstājiet ierīci darbības laikā bez uzraudzības! Izslēdziet ierīci, ja tā netiek lietota, pat īsu brīdi.
2. Ierīci nedrīkst apkalpot, izmantojot ārējo taimeru vai atsevišķu sistēmu ar tālvadību.
3. Lai izvairītos no riska, kas rodas barošanas kabeļa bojājuma gadījumā, tās nomaiņa ir jāveic ražotājam, pilnvarotam servisa centram vai citai personai ar atbilstošu kvalifikāciju.
4. Pirms ierīces lietošanas sākšanas pārliedzieties, ka tās spriegums atbilst spriegumam vietējā barošanas tīklā.
5. Lai izvairītos no ugunsgrēka vai elektrošoka, aizsargājiet ierīci no karstām vietām, lietus, mitruma un putekļu iedarbības.
6. Nepakļaujiet ierīci spēcīga magnētiskā lauka iedarbībai.
7. Nenovietojiet ierīci tieši uz pastiprinātāja vai resīvera.
8. Nenovietojiet ierīci mitrā vietā, jo mitrums negatīvi ietekmē elektriskās detaļas.
9. Ūdens un mitrums — lai samazinātu ugunsgrēka vai elektrošoka risku, nepakļaujiet ierīci tiešai lietus, ūdens un mitruma iedarbībai, piemēram, pirtī vai vannas istabā. Nelietojiet šo ierīci ūdens tuvumā, piemēram, vannas, izlietnes, virtuves izlietnes vai veļas tovera tuvumā, mitrā pagrabā vai peldbaseina tuvumā (vai līdzīgās vietās).
10. Ierīci nedrīkst tīrīt ar ķīmiskiem šķīdinātājiem, jo tie var sabojāt korpusa lakas pārklājumu. Noslaukiet ierīci ar tīru, sausu vai nedaudz samitrinātu lupatiņu.

PIEZĪME Deklarācija



Ar šo uzņēmums Blaupunkt Competence Center 2N-Everpol Sp. z o.o. apliecina, ka šī ierīce atbilst Direktīvas 2014/53/ES prasībām un citiem attiecīgajiem noteikumiem. Pilnu atbilstības deklarāciju var iegūt produkta cilnē tīmekļa vietnē www.blaupunkt.com.

Reģistrācijas apliecības īpašnieks: 2N-Everpol Sp. z o.o., Puławska 403A, 02-801 Warszawa, Polija, tālrunis: +48 22 688 08 00, e-pasts: info@everpol.pl



Produkts ir izgatavots no augstas kvalitātes materiāliem un sastāvdaļām, ko var nodot otrreizējai pārstrādei un izmantot atkārtoti.



Ja uz ierīces ir pārsvītrotas atkritumu tvertnes zīme, tas nozīmē, ka produktam piemēro Eiropas direktīvas 2012/19/ES prasības. Iepazīstieties ar prasībām par vietējo elektrisko un elektronisko iekārtu atkritumu savākšanas sistēmu. Rikojieties atbilstoši vietējo tiesību aktu noteikumiem. Šo produktu nedrīkst izmest kopā ar parastiem mājsaimniecības atkritumiem. Vecā produkta pareiza likvidēšana novērš iespējamās negatīvas sekas apkārtējai videi un cilvēku veselībai.



Ierīce ir aprīkota ar baterijām, kurām piemēro Eiropas direktīvu 2006/66/EK. Baterijas nedrīkst izmest kopā ar mājsaimniecības atkritumiem. Iepazīstieties ar vietējo tiesību aktu noteikumiem par bateriju atsevišķu savākšanu, jo to pareiza utilizācija novērš iespējamās negatīvas sekas apkārtējai videi un cilvēku veselībai.

Informācija par apkārtējās vides aizsardzību

Iepakojums ietver tikai nepieciešamus elementus. Ir izdarīts viss iespējamais, lai trīs materiāli, no kuriem izgatavots iepakojums, būtu viegli atdalāmi: kartons (kastīte); polistirola putas (iekšējie aizsargelementi) un polietilēns (maiņi, aizsargplēve). Ierīce ir izgatavota no materiāliem, ko var nodot otrreizējai pārstrādei un izmantot atkārtoti pēc to demontāžas specializētā uzņēmumā. Ievērojiet vietējo tiesību aktu noteikumus par iepakojuma materiālu, nolietoto bateriju un nevajadzīgu ierīču utilizāciju.

Materiālu ierakstīšanai un atskaņošanai var būt nepieciešama atļaujas iegūšana. Skatīt likumu par autortiesībām un izpildītāju/mākslinieku tiesībām.

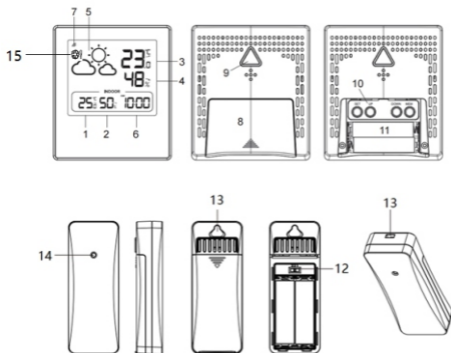
Paldies par mūsu meteoroloģiskās stacijas iegādi. Šis modelis ir aprīkots ar tālāk norādītajām funkcijām.

Funkcijas

- Laika prognoze: saulaini, daļēji mākoņi, mākoņaini, lietus, sniegs.
- Sasalšanas temperatūras indikators.
- Iekšējā/ārējā temperatūra.
- Iekšējais/ārējais mitrums.
- Maksimālo un minimālo iekšējās un ārējās iekšējo un ārējo temperatūras un mitruma mērījumu vērtību atmiņa.
- 12/24 stundu pulksteņa režīms.
- Ārējais bezvadu temperatūras un mitruma sensors.

Pirms ierīces iedarbināšanas uzmanīgi izlasiet šo lietošanas instrukciju. Saglabājiet instrukciju turpmākai izmantošanai.

Displejs un vadības elementi



- | | |
|--|--|
| 1. Iekšējā temperatūra/tendence | 2. Iekšējais mitrums/tendence |
| 3. Ārējā temperatūra/tendence | 4. Ārējais mitrums/tendence |
| 5. Animēta laika prognoze | 6. Pulkstenis |
| 7. Signāla no ārējā sensora uztveršanas indikators | |
| 8. Baterijas nodalījuma vāks | 9. Montāžas caurums ierīces pakāršanai |
| 10. Regulēšanas pogas: iestatījumi (SET)/augšup (UP)/lejup (DOWN)/atmiņa (MEM) | 11. Bateriju nodalījums |
| 12. Sensora kanālu pārslēgš | 13. Montāžas caurumi pakāršanai |
| 14. Sensora indikators | 15. Sasalšanas temperatūras indikators |


Uzstādīšana

Atveriet bateriju nodalījuma vāku. Ievietojiet divas AAA baterijas meteoroloģiskajā stacijā, pēc tam ievietojiet divas AA baterijas ārējā sensorā atbilstoši polaritātei, kas norādīta bateriju nodalījumā. (Baterijas ietilpst komplektā.)

Lai iegūtu vislabāko ierīces veiktspēju, ieteicams izmantot augstas kvalitātes sārma baterijas. Nav ieteicams lietot Heavy duty tipa baterijas vai akumulatorus. Meteoroloģiskās stacijas displejs izslēdzas bateriju izlādēšanas gadījumā. (Aptuvenus darbības ar jaunu bateriju laiks: seši mēneši — meteoroloģiskā stacija, 12 mēneši — ārējais bezvadu sensors. Norādītais darbības laiks ir tikai orientējošs un atkarīgs no daudziem faktoriem tādiem kā izmantoto bateriju veids, ražotājs, darba apstākļi u.tml.)

Signāla no ārēja bezvadu sensora uztveršana

Pēc bateriju pareizas uzstādīšanas meteoroloģiskā stacija automātiski atklāj un uztver ārējās temperatūras un mitruma mērījuma signālu no ārēja bezvadu sensora. Signāla meklēšana ilgst maksimāli trīs minūtes. Meklēšanas laikā signāla no bezvadu sensora signāla uztveršanas

indikators  mirgo un stabilizējas pēc signāla veiksmīgas uztveršanas. Ja stacija nesaņem signālu no ārējā sensora, signāla uztveršanas indikators pazūd pēc trim minūtēm un datu par ārējo temperatūru un mitrumu vietā uz displeja parādās šāds simbols: "--". Lai atkārtoti ieslēgtu signāla no ārējā sensora meklēšanu, nospiediet pogu "augšup" un turiet to nospiestu trīs sekundes.

Ierīces novietojums un citas piezīmes

1. Šī meteoroloģiskā stacija atbalsta tikai vienu ārējo bezvadu sensoru. Ja sensors ir aprīkots ar kanālu pārslēgu, vienmēr uzstādiet 1. kanāla pozīcijā.

(* Sensors var būt saderīgs ar citiem modeļiem, kas atbalsta trīs kanālus.)

2. Novietojiet un lietojiet meteoroloģisko staciju un ārējo sensoru 1,5–2 metru attālumā no traucējumu avotiem tādiem kā datoru monitori vai televizori. Meteoroloģiskā stacija ir jānovieto arī tālu no logiem ar metāla rāmjiem
3. Nelietojiet citus elektroniskās ierīces, piemēram, austiņas vai skaļruņus, kas darbojas ar tādu pašu signāla frekvenci (433,92 MHz), jo tie var radīt traucējumus. Ņemiet vērā, ka, ja Jūsu kaimiņi lieto elektroniskās ierīces, kas darbojas ar to pašu signāla frekvenci (433,92 MHz), tās arī var radīt traucējumus stacijas pareizai darbībai.
4. Lai nodrošinātu precīzu iekšējās temperatūras mērījumu, novietojiet meteoroloģisko staciju sausā vietā, kas ir brīva no netīrumiem un putekļiem. Izvēlieties vietu tālu no tiešiem saules stariem un citiem siltuma avotiem, kā arī tālu no ventilācijas atverēm.
5. Bezvadu sensoru var uzstādīt ārpus telpām. Lai iegūtu pēc iespējas labāku mērījumu precizitāti, novietojiet sensoru vertikālā stāvoklī, vismaz 1,5~2 metru augstumā no zemes, vietā, kas nodrošina aizsardzību pret lietu un labu gaisa cirkulāciju. Nepakļaujiet sensoru ilgstošai tiešai saules staru iedarbībai.
6. Maksimālais bezvadu sensora darba attālums ir 80 metri no meteoroloģiskās stacijas, bez šķēršļiem starp tiem.
7. Signāls no bezvadu sensora tiek nosūtīts uz staciju ik pēc 114 sekundēm.

Pulksteņa iestatīšana

Nospiediet iestatījumu pogu (SET) un turiet to nospiestu trīs sekundes, un displeja parādās mirgojoša informācija: "12/24H". Nospiediet pogu augšup (UP) vai lejup (DOWN), lai izvēlētos laika formātu — 12 vai 24 stundu formātu. Nospiediet iestatījumu pogu (SET), lai apstiprinātu izvēli un pārietu uz stundas iestatīšanu. Nospiediet pogu augšup (UP) vai lejup (DOWN), lai iestatītu stundu. Atkārtoti nospiediet iestatījumu pogu (SET), lai apstiprinātu izvēli un pārietu uz minūšu iestatīšanu — procedūra ir tāda pati kā stundas iestatīšanas gadījumā. Atkārtoti nospiediet iestatījumu pogu (SET), lai apstiprinātu izvēli un pabeigtu pulksteņa iestatīšanu. (Nospiediet pogu augšup (UP) vai lejup (DOWN) un turiet to nospiestu, lai pārīrinātu regulēšanu.)

Temperatūra un mitrums

1. Iekšējās temperatūras mērīšanas diapazons: -10 ~ +50 °C / 14 ~ 122 °F
2. Ārējās temperatūras mērīšanas diapazons: -30 ~ +60 °C / -22 ~ 140 °F

Piezīme. "LL.L °C" vai "HH.H °C" parādās uz displeja, ja izmērītā temperatūras vērtība ir ārpus iepriekš norādītā diapazona.

3. Iekšējā un ārējā mitruma mērīšanas diapazons: 1–99 %

Piezīme. "LL%" vai "HH%" parādās uz displeja, ja izmērītā mitruma vērtība ir ārpus iepriekš norādītā diapazona.

4. Temperatūras mērījuma precizitāte: $\pm 1,0$ °C diapazonā no 0 °C līdz +50 °C/32~104 °F.

$\pm 1,5$ °C ārpus iepriekš minētā diapazona.

5. Mitruma mērījuma precizitāte: ± 5 % (diapazonā no 40 % līdz 70 %), ± 8 % ārpus diapazonam.

6. Nospiediet atmiņas pogu (MEM), lai pārbaudītu maksimālās un minimālās mērījumu vērtības. Nospiediet atmiņas pogu (MEM) un turiet to nospiestu, lai manuāli dzēstu šos datus. (Piezīme. Maksimālās un minimālās mērījumu vērtības tiek automātiski dzēstas katru dienu plkst. 00:00.)

7. Nospiediet pogu lejup (DOWN), lai mainītu temperatūras mērvienību: no °C (grādiem pēc Celsija) uz °F (grādiem pēc Fārenheita).

Temperatūras tendence

Bultiņa temperatūras datu tuvumā informē par temperatūras tendenci. Tās virziens mainās atkarībā no tā, vai pēdējais temperatūras rādījums ir augstāks vai zemāks par iepriekšējiem rādījumiem.

Uz augšu vērstā bultiņa = temperatūra pēdējās stundas laikā ir paaugstinājusies par 1 °C.

Bultiņas neesamība = temperatūra pēdējās stundas laikā ir mainījusies par mazāk nekā 1 °C.

Uz leju vērstā bultiņa = temperatūra pēdējās stundas laikā ir samazinājusies par 1 °C.

Mitruma tendence

Bultiņa mitruma datu tuvumā informē par mitruma tendenci. Tās virziens mainās atkarībā no tā, vai pēdējais mitruma rādījums ir augstāks vai zemāks par iepriekšējiem rādījumiem.

Uz augšu vērstā bultiņa = mitruma līmenis pēdējās stundas laikā ir paaugstinājies par 5 %.

Bultiņas neesamība = mitrums pēdējās stundas laikā nav mainījies.

Uz leju vērstā bultiņa = mitruma līmenis pēdējās stundas laikā ir samazinājies par 5 %.

Animēta laika prognoze

Laika prognoze balstās uz stundas laikā savāktiem datiem par

temperatūras un mitrumu no ārējā sensora. Stacija prognozē laika apstākļus nākamajām 12 stundām ar 70–75 % precizitāti. Noklusējuma laika prognozes ikona ir iestatīta uz "daļēji mākoņaini", meteoroloģiskā stacija automātiski kalibrē laika prognozi pirmajās 1–2 darbības nedēļās, pamatojoties uz datiem par temperatūru un mitrumu no ārējā sensora.

Novietojiet bezvadu sensoru ārpus telpām, lai iegūtu precīzus temperatūras un mitruma datus, pretējā gadījumā tas ietekmēs laika apstākļu prognozes precizitāti.

Laika prognoze tiek parādīta vienā no šādām kombinācijām.



SAULAINS,



DAĻĒJI MĀKOŅAINS,



MĀKOŅAINS,



LIETUS,



SNIEGS

Ņemiet vērā, ka ierīce prognozē laiku, pamatojoties uz ierobežotiem parametriem, tāpēc prognoze var atšķirties no oficiālajām laika prognozēm, kas tiek aprēķinātas, pamatojoties uz uzlabotiem algoritmiem.

Sasalšanas temperatūras indikators

Ja ārējā temperatūra nokrīt zem 3 °C/34 °F, uz displeja parādās šis

simbols



un stacija rada brīdinājuma signālu.

Problēmu risināšana

Nav informācijas uz displeja.	<ul style="list-style-type: none"> ✧ Pārļiecinieties, ka baterijas ir pareizi uzstādītas ierīcē.
Temperatūra no ārējā sensora netiek rādīta.	<ul style="list-style-type: none"> ✧ Pārļiecinieties, ka attālums starp staciju un sensoru nepārsniedz 30 m (ieteicams). ✧ Pārļiecinieties, ka stacija un sensors atrodas vismaz 2 m attālumā no monitoriem un televizoriem. ✧ Izvairieties no ierīču novietošanas uz logu metāla rāmjiem vai to tuvumā. ✧ Izvairieties no staciju lietošanas tādu elektronisko ierīču tuvumā kā skaļruņi, kas darbojas tajā pašā frekvencē (433 MHz). ✧ Izņemiet baterijas, pagaidiet kādu brīdi un uzstādiet tās atpakaļ.
Parādītā temperatūra ir nepareiza.	<ul style="list-style-type: none"> ✧ Izņemiet baterijas, pagaidiet kādu brīdi un uzstādiet tās atpakaļ. ✧ Pārļiecinieties, ka staciju vai sensoru neietekmē siltuma avoti, gaisa kondicionētāji u. tml. vai ka sensors neatrodas vietā, kas pakļauta tiešai saules staru iedarbībai.

Specifikācija

- Iekšējās/ārējās temperatūras rādīšana
- Iekšējā/ārējā mitruma rādīšana
- Temperatūras/mitruma tendences norādīšana
- Laika prognoze nākamajām 12–24 stundām
- Sasalšanas temperatūras indikators
- Pulkstenis (12/24 stundu formātā)
- Bezvadu ārējais sensors (1 gab. komplektā)
- LCD displejs
- Galvenās vienības barošanas avots: divas 1,5 V baterijas (AAA izmērs, ietilpst komplektā)
- Ārējā bezvadu sensora barošanas avots: divas 1,5 V baterijas (AA izmērs, ietilpst komplektā)
- Bezvadu sensora darbības frekvence: 433,92 MHz
- Jaudas patēriņš: 18 mW (galvenā vienība), 24 mW (bezvadu raidītājs)
- Sienas āķis/galda statīvs
- Ierīces izmēri: 81 × 26 × 93 mm
- LCD displeja izmēri: 53 × 62 mm
- Ierīces neto svars: 0,073 kg
- Sensora izmēri: 38 × 19 × 100 mm
- Sensora neto svars: 0,032 kg



Competence Center

2N-Everpol Sp. z o.o.
ul. Puławska 403A
02-801 Warsaw, Poland
phone: +48 22 688 08 00
e-mail: info@everpol.pl
www.blaupunkt.com

W przypadku pytań lub problemów
prosimy o kontakt z naszym serwisem

In case of questions or problems
please contact our service.

Tel. 00 48 22 688 08 33

E-mail: info@blaupunkt-audio.pl

Wszelkie prawa zastrzeżone. Wszystkie nazwy marek są zarejestrowanymi znakami towarowymi należącymi do odpowiednich podmiotów. Dane i parametry techniczne mogą ulec zmianie bez wcześniejszego uprzedzenia.

All rights reserved. All brand names are registered trademarks of their respective owners. Specifications are subject to change without prior notice.

Enjoy it.