

Owner's Manual
Instrukcja obsługi
Návod k použití
Navodila za uporabo
Használati útmutató
Upute za upotrebu
Lietošanas instrukcija

Instrucțiune de deservire
Инструкция за употреба
Οδηγίες χρήσης
Kasutusjuhend
Naudojimo instrukcijos
Užívateľská príručka



Enjoy it.

Bluetooth PartyBox with Karaoke

Important Safety Instructions



Caution:

To reduce the risk of electric shock, do not remove cover (or back). No user serviceable parts inside. Refer servicing to qualified service personnel.

Explanation of Graphical Symbols:



The lightning flash within an equilateral triangle is intended to alert you to the presence of uninsulated dangerous voltage within the product's enclosure that may be of sufficient magnitude to constitute an electric shock to a person or persons.



The exclamation point within an equilateral triangle is intended to alert you to the presence of important operating and maintenance (servicing) instructions in the literature accompanying the product.

To achieve the utmost in enjoyment and performance, and in order to become familiar with its features, please read this manual carefully before attempting to operate this product. This will assure you years of trouble free performance and listening pleasure.

Important Notes

- This safety and operating instruction should be retained for future reference.
- The apparatus should not be exposed to dripping or splashing or placed in a humid atmosphere such as a bathroom.
- Do not install the product in the following areas:
- Places exposed to direct sunlight or close to radiators.
- On top of other stereo equipment that radiate too much heat.
- Blocking ventilation or in a dusty area.
- Areas where there is constant vibration.
- Humid or moist places.
- Do not place near candles or other naked flames.
- Operate the product only as instructed in this manual.
- Before turning on the power for the first time, make sure the power adaptor is properly connected.
- Plug-in the USB stick directly or use a USB-extension cable which is not longer than 25 cm.

For safety reasons, do not remove any covers or attempt to gain access to the inside of the product. Refer any servicing to qualified personnel.

Do not attempt to remove any screws, or open the casing of the unit; there are no user serviceable parts inside. Refer all servicing to qualified service personnel.

SAFETY INSTRUCTIONS

1. Read Instructions - All the safety and operating instructions must be read before the product is operated.
2. Retain Instructions - The safety and operating instructions should be kept with the product for future reference.
3. Heed warnings - All warnings on the product and in the operating instructions should be adhered to.
4. Follow instructions - All operating and users' instructions should be followed.
5. Installation - Install in accordance with the manufacturer's instructions.
6. Power sources - This product should be operated only from the type of power source indicated by the marking adjacent to the power cord entry. If you are not sure of the type of power supply to your home, consult your product dealer or local power company.
7. Grounding or polarization - the product is not required to be grounded. Ensure that the plug is fully inserted into the wall outlet or extension cord receptacle to prevent blade or pin exposure. Some versions of the product are equipped with a power cord fitted with a polarized alternating line plug (a plug having one blade wider than the other). This plug will fit onto the power outlet only one way. This is a safety feature. If you are unable to insert the plug fully into the outlet, try reversing the plug. If the plug should still fail to fit, contact your electrician to replace your obsolete outlet. Do not defeat the safety purpose of the polarized plug. When using an extension power-supply cord or a power-supply cord other than that supplied with the appliance, it should be fitted with the appropriate molded plugs and carry safety approval appropriate to the country of use.
8. Power cord protection - Power-supply cords should be routed so that they are not likely to be walked on, kinked or pinched by items placed on or against them, paying particular attention to cords from plugs, receptacles and the point where they exit from the product.
9. Overloading - Do not overload wall outlets, extension cords, or multiple sockets, as this can result in a risk of fire or electric shock.
10. Ventilation - The product must be properly ventilated. Do not place the product on a bed, sofa, or other similar surface. Do not cover the product with any items such as tablecloths, newspapers, etc.
11. Heat - The product should be situated away from heat sources such as radiators, heat registers, stoves, or other products, including amplifiers that produce heat. No naked flame sources, such as lighted candles, should be placed on the apparatus.
12. Water and moisture - To reduce the risk of fire or electric shock, do not expose the product to rain, dripping, splashing or excessive moisture such as in a sauna or bathroom. Do not use this product near water, for example, near a bathtub, washbowl, kitchen sink, laundry tub, in a wet basement or near a swimming pool (or similar).

13. Object and Liquid Entry - Never push objects of any kind into this product through openings, as they may touch dangerous voltage points or short-circuit parts that could result in a fire or electric shock. Never spill liquid of any kind on the product. Do not place any object containing liquid on top of the product.
14. Cleaning - Unplug the product from the wall outlet before cleaning. Dust in the woofer may be cleaned with a dry cloth. If you wish to use an aerosol cleaning spray, do not spray directly on the cabinet; spray onto the cloth. Be careful not to damage the drive units.
15. Attachments - Do not use attachments not recommended by the product manufacturer, as they may cause hazards.
16. Accessories - Do not place this product on an unstable cart, stand, tripod, bracket or table. The product may fall, causing serious injury to a child or adult, and serious damage to the product. Use only with a cart, stand, tripod, bracket or table recommended by the manufacturer or sold with the product. Any mounting of the product should follow the manufacturer's instructions and should use a mounting accessory recommended by the manufacturer.
17. Moving the product - A product and cart combination should be moved with care. Quick stops, excessive force and uneven surfaces may cause the product and cart combination to overturn.
18. Unused periods - The power cord of the appliance should be unplugged from the outlet during lightning storms or when the apparatus is left unused for a long period of time.
19. Servicing - Do not attempt to service this product yourself, as opening or removing covers may expose you to dangerous voltage or other hazards. Refer all servicing to qualified service personnel.
20. Please remove the power plug from the main power source or wall power source when not in use. When plugged in to a power source, the system is in standby mode, so the power is not entirely cut off.
21. Replacement parts - When replacement parts are required, ensure that the service technician has used replacement parts specified by the manufacturer or have the same characteristics as the original part. Unauthorized substitutions may result in fire, electric shock or other hazards.
22. Mains fuses - For continued protection against fire hazard, use fuses only of the correct type and rating. The correct fuse specification for each voltage range is marked on the product.
23. Do not turn up the volume while listening to a section with very low level inputs or no audio signals. If you do, the speaker may be damaged when a peak level section is suddenly played.
24. The only means of completely disconnecting the product from the power supply is by removing the power cord from the wall outlet or the product. The wall outlet or the power cord entry to the product must remain freely accessible at all times while the product is in use.
25. Try to install the product near a wall socket or extension cord and shall be easily accessible.
26. The highest environmental temperature suitable for this product is 35°C.
27. ESD hints - If the product maybe reset or not reset to operation of control due to electrostatic discharge, just switch off and reconnect again, or move the product to another location.
28. Battery
 - a. The batteries must not be exposed to excessive heat such as sunshine, fire or the like.
 - b. The batteries should be drawn to the environmental aspects of battery disposal.
 - c. Battery usage CAUTION-to prevent battery leakage which may result in body injuries, property damage, or damage to the apparatus:
 - . Install all batteries correctly, + and – as marked on the apparatus.
 - . Do not mix batteries (old and new or carbon and alkaline, etc.)
 - . Remove batteries when the unit is not used for a long time.

ERP2 (Energy Related Products) note

This product with ecodesign complies with the stage 2 requirements of Commission Regulation (EC) NO. 1275/2008 implementing Directive 2009/125/EC regard to standby and off mode electric power consumption of electronic household and office equipment. After 30 minutes without any audio input, the device will automatically switch into standby mode. Follow up the instruction manual to resume the operation.

Important note:

This device is equipped with an energy saving mode: if no signal is given during 30 minutes the device will switch automatically into standby mode in order to save energy (ERP 2 standard). Please note that low volume setting in the audio source may be recognized as "no audio signal": this will affect the capability of signal detection from the device and can also originate an automatic switch into standby mode. If this happens please reactivate the audio signal transmission or increase the volume setting on the audio source player (MP3 player, etc.), in order to resume playback. Please contact the local service center if the problem remains.

WARNING

This appliance is not intended for use by persons (including children) with reduced physical sensory or mental capabilities, or lack of experience and knowledge, unless they have been given supervision or instruction concerning use of the appliance by a person responsible for their safety. Children should be supervised to ensure that they do not play with the appliance.

1. Never use the device unsupervised! Switch off the device whenever you are not using it, even if this only for a short while.
2. The appliance is not intended to be operated by means of an external timer or separate remote control system.
3. If the supply cord is damaged, it must be replaced by the manufacturer, its service agent or similarly qualified persons in order to avoid a hazard.
4. Before operating this system, check the voltage of this system to see if it is identical to the voltage of your local power supply.

5. The unit should not be impeded by covering the ventilation opening with items such as newspaper, table-cloths, curtains etc. Make sure that there are at least 20 cm of space above and at least 5 cm of space on each side of the unit.
6. The apparatus must not be exposed to dripping or splashing and that objects filled with liquids, such as vases, must not be placed on the apparatus.
7. To prevent fire or shock hazard, do not expose this equipment to hot places, rain, moisture or dust.
8. Do not locate this unit near any water sources e.g. taps, bathtubs, washing machines or swimming pools. Ensure that you place the unit on a dry, stable surface.
9. Do not place this unit close to a strong magnetic field.
10. Do not place the unit on an amplifier or receiver.
11. Do not place this unit in a damp area as the moisture will affect the life of electric components.
12. If the system is brought directly from a cold to a warm location, or is placed in a very damp room, moisture may condense on the lens inside the player. If this occurs, the system will not operate properly. Please leave the system turned on for about an hour until the moisture evaporates.
13. Do not attempt to clean the unit with chemical solvents as this might damage the finish. Wipe with a clean, dry or slightly damp cloth.
14. When removing the power plug from the wall outlet, always pull directly on the plug, never pull on the cord.
15. Depending on the electromagnetic waves used by a television broadcast, if a TV is turned on near this unit while it is also on, lines might appear on the TV screen. Neither this unit nor the TV is malfunctioning. If you see such lines, keep this unit well away from the TV set.
16. The mains plug is used as the disconnect device, the disconnect device must remain readily operable.
17. To prevent possible hearing damage, do not listen at high volume levels for long periods.



NOTICE



Conformity

Hereby, Blaupunkt Competence Center 2N-Everpol Sp. z o.o., declares that this equipment is in compliance with the essential requirement and other relevant provisions of Directive 2014/53/EU. Declaration of conformity can be obtained from the product page at www.blaupunkt.com.

Responsible party: 2N-Everpol Sp. z o.o., Puławska 403A, 02-801 Warsaw, Poland, Phone: +48 22 688 08 00, E-mail: info@everpol.pl



Your product is designed and manufactured with high quality materials and components, which can be recycled and reused.



If there is a crossed-out bin symbol on your device, it means that the product is covered by the provisions of European Directive 2012/19/EU. Based on this, please follow local regulations and familiarize yourself with the requirements for your local electrical and electronic waste collection system and, in the case of this product, comply with them.

DO NOT DISPOSAL THIS PRODUCT WITH YOUR HOUSEHOLD WASTE!

THIS PRODUCT CONTAINS HAZARDOUS SUBSTANCES, MIXTURES AND COMPONENTS WHICH, IF UNAUTHORIZED, CAN BE A SOURCE OF POTENTIAL EFFECTS ON THE NATURAL ENVIRONMENT AND HUMAN HEALTH!

Correct disposal of the used product will prevent negative effects on the environment and human health.



Your product contains batteries covered by the European Directive 2006/66/EC, which cannot be disposed with normal household waste. Please inform yourself about the local rules on separate collection of batteries because correct disposal helps to prevent negative consequences for the environmental and human health.

Environmental information

All unnecessary packaging has been omitted. We have tried to make the packaging easy to separate into three materials: cardboard (box), polystyrene foam (buffer) and poly ethylene (bags, protective foam sheet). Your system consists of material which can be recycled and reused if disassembled by a specialized company. Please observe the local regulations regarding the disposal of packaging materials, exhausted batteries and old equipment.

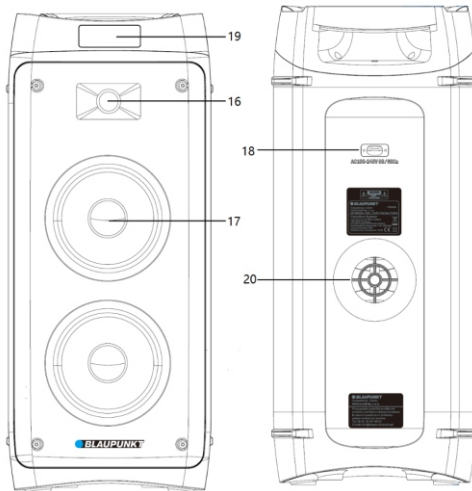
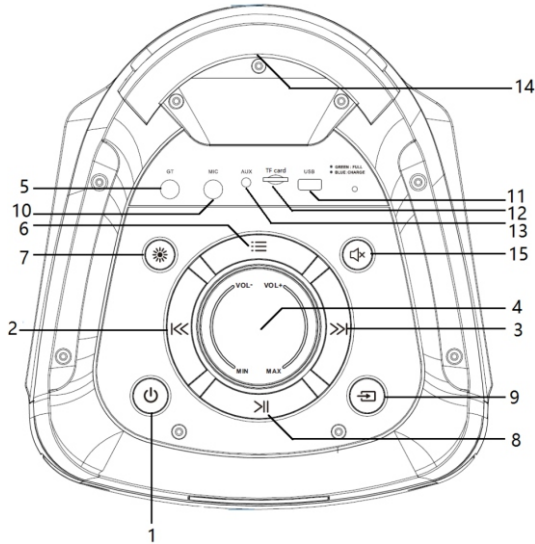
Recording and playback of material might require consent. See Copyright Act 1956 and The Performer's Protection Acts 1958 to 1972.



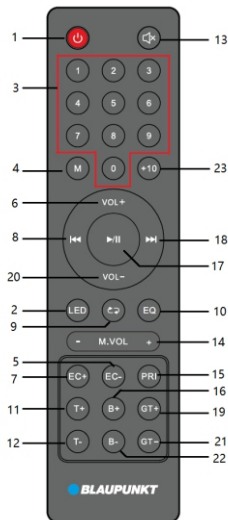
The Bluetooth® wordmark and logos are registered trademarks owned by Bluetooth SIG, Inc. and any use of such marks by us is under license. Other trademarks and trade names are those of their respective owners.

Many thanks to buy our model, please read and reference this manual carefully before operate the unit. Please keep the manual for future operation reference.

Control panel



- 1-Power on/off; 2,3- Previous & Next; 4-Volume control; 5-Guitar input;
- 6-(Menu button, press it repeatedly to switch setting for Treble/bass/microphone volume/echo/microphone treble/microphone bass/guitar volume.) 7-Disco light; 8- Play/pause; 9-Mode;
- 10- wired microphone input jack; 11-USB port; 12- microSD slot; 13- AUX IN jack; 14- Handle;
- 15- Mute; 16- Tweeter; 17-Woofer; 18- AC power outlet; 19- Display; 20- Bass reflex pipe;



Remote controller

- 1- Power button;
- 2- Disco light button;
- 3- Digits button;
- 4- Mode button;
- 5,7 - Echo +/- button;
- 6,20- Volume +/- button;
- 8,18-Previous & next, Channel +/- button;
- 9- Repeat button (repeat one/repeat all/ random);
- 10 - EQ(flat/POP/Rock/Jazz/Classic)
- 11, 12- treble+/- button;
- 13- Mute button;
- 14- Microphone volume +/- button;
- 15- Microphone priority button;
- 16,22- Bass +/- button;
- 17- Play/pause button;
- 19, 21 - Guitar +/- button;
- 23- +10 button;

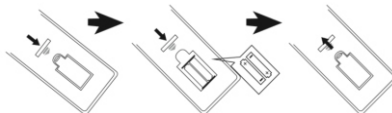
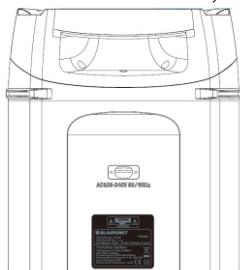
Power connection: Please check if the power source correspond to the rating voltage spec, which locates on the rear panel of unit. If it does not match, please consult to your dealer or service center. Insert the female terminal of power cord into the AC outlet, and then connect the power plug with the wall-mount socket in order to get the power source.

Battery power charging: the unit built-in rechargeable battery which allow to playback the music without AC power connection. When the battery is charging, the charging LED will show in red color which locates on the top panel. The charging LED will turn to green after fully charged. The battery will be also charged even you power off the unit but with available AC power source. The charging time of battery is 4hours, and 3~5hours for playback time depends on the playing volume level. The unit will power off automatically in case of lower battery power, please recharge it for playback.

Important notes: In standby mode(short press the power button on top panel or by remote controller), there will start to charge the unit automatically after 15minutes due to eco design. In case you need urgent charge, please long press the power button(power off) the unit. The unit can be charged stantaneously while music playing.

Battery use:

1. When the battery is out of power or the battery is low, please charge it as soon as possible. If it is not charged for a long time, the battery's internal storage capacity will be reduced, which will make it unable to be fully charged or shortened operation time.
2. If the battery needs to be replaced, please contact with your local Blaupunkt after sales service.
3. Do not charge the battery for more than 24 hours. Over-discharging or overcharging shortens the life of the battery. Repeated charging and discharging affect the battery life as well as the playback time. Playing time cannot be guaranteed under all conditions. Variable battery life cannot be the basis for a warranty claim.



Remote control battery installation

Open up the battery door and insert 2 x AAA dry battery(include) into the compartment; please make sure the polarity of battery will aim and correspond to the positive and negative silkscreen-printed symbol in the compartment. Then close the battery door.

Notes:

- The best working distance of remote control is within 5 meters without any obstacle in between. Please aim to the remote control sensor locates on the front of unit during operation.
- The sensitivity of remote control will become weak when the battery power exhausted. Please replace it with fresh one for operation.
- Please take out the battery in case of none-operation in a long time.
- Please dispose the battery in an environment friendly way. Please reference the local government requirement for the detail.

General operation

- Power on/off:** long press(2seconds) power button on top panel to power on/off the unit. Short press the power button on top panel or by remote controller to standby on or off the unit. We suggest to power off the unit completely if no operation for a long term.
- Play source selection:** Press the mode button on the top panel, or mode button from remote controller can switch the play source between FM/Bluetooth/Line in/USB/microSD.
- Volume adjustment:** Turn the main volume knob on the top panel, or press VOL+/- button from remote control can increase or decrease the output volume level.
- Treble & bass adjustment:** short press the menu button on top panel first, rotate the volume knob to adjust the treble level, and the relevant digit will show on display. Meanwhile, the output sound will change simultaneously. Press the button again skip to bass adjustment. There can achieve same function by press the treble +/- and bass +/- button from remote controller.
- Sound silence:** press the MUTE from top panel or remote control can make the sound in silence; press it again to resume the sound output.
- Preset EQ:** press the EQ button repeatedly from remote controller can switch the preset equalizer between FLAT/POP/ROCK/JAZZ/CLASSIC.
- Play/pause:** press the button to pause the music, and press it again to resume the playback in Bluetooth/USB/microSD mode.
- Repeat & Random:** press the repeat button to switch the music playback in repeat one/repeat all/random mode
- Disco light:** press the light button repeatedly can switch the disco light between 6 types effect, and turn off light.
- Digits and +10 button:** press the digit button to select the track in USB/microSD mode; or switch preset station in FM mode. Press +10 button for track fast selection.
- Previous/next:** short press it to switch the previous or next track in Bluetooth/USB/microSD mode.
- Menu button operation:** this is a multiple function button, press it repeatedly to switch setting for Treble/bass/microphone volume/echo/microphone treble/microphone bass/guitar volume; then rotate the volume knob immediately can adjust the relevant level; Wait for a while can quit the setting. (Display information: TE= main output treble, BS= main output bass, CU=microphone volume, EC= echo, T= microphone treble, B=microphone bass, GE= guitar)

FM radio operation

Before start the FM radio listening, please try to move the unit next to the window or other location in order to better FM signal. The unit built-in an internal antenna for FM reception.

- Auto scan and preset radio station (All-in-one):** short press the play/pause button on top panel or remote controller to auto scan and save the available radio station. The unit will auto play the first preset station after finished scanning. (max supported preset station:40)
- Preset station picking up:** in radio mode, press the next/previous button on top panel or remote control to pick up and play the last and next preset station. You also can fast pick up the preset station by key-in the number via digits button from remote controller.
- Manual tune:** press and hold the previous/next button 2 seconds to scan the available station in upward or downward frequency, and auto play the station; key-in the radio station's frequency number by digits button from remote controller and wait for a while, and the unit will skip and play the relevant station directly.

USB/microSD playback operation

The product includes USB/microSD playback function which can decode and playback the music from a USB/microSD storage device. Before start the operation, please copy the MP3/WMA format music into the device; and insert the device into the unit first, because the USB/microSD mode is only available when the device plugged on unit successfully. Then the unit will detect and play the inside MP3/WMA music automatically.

Track selection: short press the next/previous button to select next and previous track; press and hold the button for fast-forwarding and rewinding the playing music, and resume to normal playback after release the button.

In USB/microSD mode, you can achieve the play/pause, mute, repeat, EQ, treble/bass, +10 function etc. Please reference the operation from the general operation part on this manual.

Notes:

- Connect the USB stick by a USB extension cable for playback is not recommended which may produce noise or intermittent sound due to audio data loss during transfer.
- Decode and playback all MP3/WMA/WAV/FLAC format music is not guaranteed.
- The max supported storage device is up to 32GB.
- Some different device and brand may take a little long time to playback; please kindly note this is not mal-function.

Bluetooth operation

This product includes Bluetooth function which can wireless playback the music from other Bluetooth device (like smart phone, tablet etc).

- Press the mode button repeatedly to enter Bluetooth mode, and the Bluetooth symbol will flare on display which means the unit is ready to pair.

2. Enable the Bluetooth function on your device, and search the available device (please reference your device manual for operation), then check the available Bluetooth device on the list. Select "BP PB06" for pairing, and the Bluetooth symbol will stable on display after paired successful.
3. Select and play the music from your Bluetooth device, then the sound will come out from the speaker.
4. Press the previous/next button can select last and next track during playing.
5. In Bluetooth mode, you can achieve play/pause, mute, treble and bass adjustment etc. function. Please reference the operation from the general operation part on this manual.

Notices:

- a. All Bluetooth devices are not guaranteed for pairing successfully due to different design and brand.
- b. The best working distance of Bluetooth is within 10 meters without any obstacle in between.
- c. The unit only can pair and work with one Bluetooth device in one time.
- d. In case of an incoming phone call during Bluetooth playback; the music will stop temporary, and resume to playback after end the phone call.
- e. Long press the play/pause button on top panel can quit the current Bluetooth device connect and start pair with other device.

Bluetooth TWS(True wireless stereo) Playing: The speaker includes TWS function via Bluetooth. In case of you have two units on hand, and switch to Bluetooth mode. At first time playing, you need choose one of the speaker as a master, Then long press(3 seconds) the mode button on top panel to pair with another speaker. There will have a short notice sound come out from speaker after TWS paired successfully. The display shows "SLAU" in stable state which is the slave speaker, and "BLUE" flare on the display of master one. Then you can start the Bluetooth pairing and operation as usual. But the sound will output from both speakers.

In case you change to other play mode like FM/microSD/USD/Line in via master speaker, the two speakers can auto pair each other, and get sound output from both speaker. At first time TWS pairing, there may have some "sa sa sa..." short noise from the speaker which is not malfunction.

In TWS playback mode, the main control will be achieve on the master speaker side. Some functions are not available on slave speaker, please kindly note that is not malfunction. If you turn off the master speaker, the TWS playing will stop.

In case you standby off/on, power off/on the speaker, you have to long press (3 seconds) the mode button for TWS re-pairing. Long press the mode button again can quit the TWS playback mode.

Line in/AUX IN/MP3 link operation

In order to wire connect and playback the music with other player or amplifier, please follow up below operation.

Using the audio cable (include)connect the AUX IN jack on the top panel of unit, and the another terminal connect with line-out or headphone jack of outsourcing player like MP3, CD,DVD, Mixer etc. audio device. Select the music and play it on the outsourcing player, then the sound will output from the speaker.

In line-in playback mode, the main control is on the outsourcing player side. But you also can control the volume, mute the sound and adjust treble & bass etc. on the speaker side.

Karaoke

Open the battery door of wireless microphone(included), insert 2pcs AA size dry battery (not include)according to the engraved positive and negative polarity symbol inside of the battery compartment, then close the battery door of microphone. Push the switch to on position in order to power on the microphone, The speaker will pair with the wireless microphone automatically after a few seconds. Adjust the microphone output volume level properly on top panel, then we can start to sing. The unit also includes wired microphone input jack, plug on the wired microphone(not include) into the 6.5mm jack, then turn on the microphone for singing.

Tips:

- a. Microphone volume/echo/treble/bass setting: short press the menu button repeatedly on top panel can switch the setting for Treble/bass/microphone volume/echo/microphone treble/microphone bass/guitar volume; then rotate the volume knob immediately can adjust the relevant level; Wait for a while can quit the setting.
(Display information: TE= main output treble, BS= main output bass, CU=microphone volume, EC= echo, T= microphone treble, B=microphone bass, GE= guitar)
- b. There may have a big noise come out from speaker when you adjust volume/treble/bass/echo to high level due to overloading and distortion on microphone. This is not mal-function. So please turn and increase these settings slowly, and turn it back or turn off microphone for retrying in case of such big noise faced.
- c. You can use the karaoke function and listen the music at same time; in case that you need increase the Karaoke volume and decrease the background music, you can try to adjust the separate microphone volume and main volume knob.
- d. Please turn off the microphone when you put it next to speaker, otherwise there will cause huge noise.
- e. There have a mute switch on the wireless microphone that can make the microphone output in silence in case of you selected.
- f. There have microphone priority function in this model. If you activate the function from remote controller , the karaoke voice will output from speaker in priority (cover the background music); and resume to background music output automatically after you singing finished.
- g. It allows to sing the wireless and wired microphone at same time.

Guitar input: in case you need connect music instrument like guitar, you can connect with the 6.3mm guitar in jack on top panel by your accessory cable(not include). Short press the menu button repeatedly on top panel to switch the setting for guitar volume(Display information GE is for guitar); then rotate the volume knob immediately can adjust the relevant level; Wait for a while can quit the setting. Play the guitar, then you will get the sound output from speaker. You also can adjust the output level by pressing the guitar +/guitar - button on remote controller.

Trouble shooting**1. The speaker cannot turn on.**

a. Please check if the power connection is correct.

2. No sound output.

a. Please try to adjust the volume knob, and check the play source.

b. please contact service center for support if the issue remained.

3. Sound distortion.

a. Please try to adjust and play the music at a lower volume level.

b. Check the status of treble/bass setting.

4. Background noise on FM station.

a. try to move the unit in other place for better reception.

b. scan and switch to other station for listening.

Specification

Power source: AC 110-240V, 50/60 Hz.

DC battery power: 7.4V/5000mAh..

FM frequency: 87.5-108.0 MHz.

USB rating: 5V, 500mA, 2.0 versions, supported up to 32GB storage device.

MicroSD card: supported up to 32GB storage device.

USB/microSD card support music format: MP3, WMA, WAV, FLAC(not guarantee all such file).

Bluetooth: V5.0, within 10 meters for operation.

RMS output power: 2 x 20W.

Microphone: 1 x 6.5cm input, wired microphone connection.

2 x wireless microphone(Frequency: 208.8MHz, 215MHz, power source: 2 x 1.5V,AA).

1 x Guitar input.

Power consumption: 40W.

Standby power consumption: <0.5W.

(The above spec may update without priority notice.)

Ważne instrukcje dotyczące bezpieczeństwa



PRZESTROGA



ZAGROŻENIE PORAZENIEM ELEKTRYCZNYM
NIE OTWIERAĆ

Przeostroga:

Aby zmniejszyć ryzyko porażenia prądem, nie wolno demontować pokrywy ani tylnej części urządzenia. Wewnątrz urządzenia nie znajdują się elementy przeznaczone do samodzielnej naprawy przez użytkownika. Konserwacją i naprawą sprzętu zajmują się wyłącznie wykwalifikowani pracownicy serwisu.

Objaśnienie symboli graficznych:



Symbol błyskawicy zakończonej strzałką umieszczony w trójkącie równobocznym ostrzega użytkownika przed nieizolowanym, „niebezpiecznym napięciem” w obrębie obudowy urządzenia, które może osiągnąć wielkość grożącą porażeniem prądem elektrycznym.



Znak wykrzyknika w trójkącie równobocznym ostrzega użytkownika, że w tym momencie przedstawione są ważne informacje dotyczące obsługi i konserwacji sprzętu w dokumentacji, dołączonej do urządzenia.

Prosimy o przeczytanie tej instrukcji przed przystąpieniem do obsługi urządzenia, aby zapoznać się z jego funkcjami i wykorzystać je zgodnie z przeznaczeniem. Zapewni to długotrwałą, bezawaryjną obsługę urządzenia i przyjemność z użytkowania.

Ważne informacje

- Należy zachować instrukcję obsługi oraz informacje dotyczące bezpieczeństwa w celu wykorzystania ich w przyszłości.
- Nie należy dopuszczać do tego, aby na urządzenie kapala lub wylewała się ciecz. Nie wolno też używać go w wilgotnych miejscach, jak np. łazienka.
- Nie wolno instalować tego urządzenia w następujących miejscach:
 - Wystawionych na bezpośrednie działanie promieni słonecznych lub w pobliżu grzejników.
 - Kłaść go na wierzchu innego sprzętu stereofonicznego który wydziela ciepło.
 - Blokując wentylację lub w zapyłonym miejscu.
 - W miejscach narażonych na ciągłe drgania.
 - W miejscach o wysokiej wilgotności.
- Nie wolno stawiać urządzenia w pobliżu świateł lub otwartego ognia.
- Urządzenia można używać wyłącznie w sposób opisany w niniejszej instrukcji.
- Przed pierwszym włączeniem zasilania należy upewnić się, że zasilacz został prawidłowo podłączony.
- Pamięć USB podłącza się bezpośrednio lub przy użyciu przedłużacza USB o długości do 25 cm

Ze względów bezpieczeństwa nie należy demontować obudów ani uzyskiwać dostępu do wnętrza urządzenia. Urządzenie powinno być naprawiane przez wykwalifikowany personel serwisu.

Nie wolno rozkręcać urządzenia ani otwierać jego obudowy, gdyż wewnątrz nie ma żadnych części, które mogłyby być naprawiane przez użytkownika. Konserwacją i naprawą sprzętu zajmują się wyłącznie wykwalifikowani pracownicy serwisu.

INSTRUKCJE DOTYCZĄCE BEZPIECZEŃSTWA

- Przeczytać instrukcję — przed korzystaniem z urządzenia należy przeczytać całość instrukcji obsługi oraz informacje o bezpieczeństwie.
- Zachować instrukcje — należy zachować instrukcje użytkowania i obsługi w celu wykorzystania ich w przyszłości.
- Przestrzegać ostrzeżeń — należy postępować zgodnie z wszystkimi ostrzeżeniami zamieszczonymi na urządzeniu oraz zgodnie z instrukcją obsługi.
- Przestrzegać instrukcji — należy postępować zgodnie z instrukcją obsługi oraz wskazówkami dla użytkownika.
- Instalacja — należy ustawić urządzenie zgodnie z instrukcjami producenta.
- Źródła zasilania – urządzenie powinno być zasilane wyłącznie ze źródeł o parametrach podanych na oznaczeniach na kablu zasilania. Jeżeli użytkownik nie jest pewien, jakiego rodzaju zasilaniem dysponuje w domu, powinien skontaktować się ze sprzedawcą urządzenia lub lokalnym dostawcą energii elektrycznej.
- Uziemienie lub polaryzacja zasilania — urządzenie nie musi być uziemione. Należy upewnić się, że wtyczka jest do końca włożona do gniazdka sieciowego lub przedłużacza, aby nie dopuścić do odsonięcia bolców lub styków. Niektóre wersje urządzenia mogą być wyposażone w spolaryzowaną wtyczkę prądu przemiennego (z jednym bolcem szerszym). Tę wtyczkę można włożyć do gniazdka sieciowego tylko w jeden sposób. Jest to funkcja zabezpieczająca. Jeśli nie można włożyć wtyczki do gniazda, należy spróbować ją odwrócić. Jeśli wtyczka nadal nie pasuje do gniazda, należy zlecić elektrykowi jego wymianę. Nie wolno zdejmować zabezpieczeń z wtyczki spolaryzowanej. Gdy korzysta się z przedłużacza lub kabla zasilania innego niż dostarczony razem z urządzeniem, powinny mieć właściwe wtyczki oraz atest bezpieczeństwa wymagany w danym kraju.
- Zabezpieczenie kabla zasilania — kable zasilania należy poprowadzić w taki sposób, aby nie można było po nich chodzić, przysięgać lub przyciągać postawionymi przedmiotami. Zwrócić szczególną uwagę na wtyczki, gniazdka sieciowe i miejsca, w którym kable są wyprowadzone z urządzenia.
- Przeciążanie — nie wolno przeciążać gniazdek ściennych, przedłużaczy i rozdzielaczy elektrycznych, ponieważ grozi to wybuchem pożaru lub porażeniem prądem elektrycznym.
- Wentylacja — urządzenie musi być poprawnie wentylowane. Nie wolno ustawiać urządzenia na łóżku, sofie lub podobnych powierzchniach. Nie wolno przykrywać urządzenia obrusami, serwetkami, gazetami itd.

11. Ciepło — nie ustawiać urządzenia w pobliżu źródeł ciepła, takich jak grzejniki, promienniki, piece lub innych urządzeń (również wzmacniacze) wytwarzających ciepło. Nie stawiać na urządzeniu zapalonych świec i innych źródeł otwartego ognia.
12. Woda i wilgoć — aby zmniejszyć zagrożenie pożarem lub porażeniem elektrycznym, nie wolno narażać urządzenia na bezpośrednie działanie deszczu, wody i wilgoci, jak np. w saunie czy w łazience. Nie używać niniejszego urządzenia w pobliżu wody, na przykład obok wanny, umywalki, zlewu kuchennego lub balii, w wilgotnej piwnicy lub w pobliżu basenu (lub w podobnych miejscach).
13. Przedmioty i cieple w urządzeniu — nie należy wciskać jakichkolwiek przedmiotów przez otwory urządzenia, ponieważ mogą one zetknąć się z punktami niebezpiecznego napięcia i podzespołami, co może wywołać pożar lub porażenie prądem. Pod żadnym pozorem nie należy rozlewać jakichkolwiek cieczy na powierzchni urządzenia. Nie wolno kłaść na wierzchu urządzenia przedmiotów zawierających cieple.
14. Czyszczenie — należy zawsze odłączyć urządzenie od gniazdka sieciowego przed czyszczeniem. Kurz dookoła głośnika można usunąć suchą szmatką. Jeśli do czyszczenia ma być użyty aerozol, nie należy kierować rozpylanego strumienia bezpośrednio na urządzenie, ale na szmatkę. Należy uważać, aby nie uszkodzić jednostek napędowych.
15. Wyposażenie dodatkowe — nie wolno używać akcesoriów, które nie są dopuszczone przez producenta, gdyż mogą stwarzać zagrożenie.
16. Akcesoria — nie wolno ustawiać urządzenia na niestabilnym wózku, stojaku, statywie, wsporniku czy stole. Urządzenie może ulec przewróceniu i uszkodzeniu oraz spowodować poważne obrażenia u dziecka lub osoby dorosłej. Należy używać wyłącznie wózków, stojaków, statywów, wsporników i stołów określonych przez producenta albo sprzedawanych wraz z urządzeniem. Montaż urządzenia należy przeprowadzać zgodnie z instrukcjami producenta, przy użyciu zestawu montażowego zalecanego przez producenta.
17. Przenoszenie urządzenia — urządzenie umieszczone na wózku należy przesuwać bardzo ostrożnie. Gwałtowne zatrzymanie, zbyt duża siła lub nierówne powierzchnie mogą spowodować przewrócenie wózka wraz z urządzeniem.
18. Okres nieużywania urządzenia — kabel zasilania urządzenia należy odłączyć od gniazdka sieciowego w trakcie burz z wyładowaniami atmosferycznymi lub gdy urządzenie nie będzie używane przez dłuższy czas.
19. Serwisowanie — nie należy próbować własnoręcznego przeglądania urządzenia. Otwieranie pokrywy może spowodować kontakt z niebezpiecznym napięciem i narazić użytkownika na inne niebezpieczeństwa. Konserwacją i naprawą sprzętu zajmują się wyłącznie wykwalifikowani pracownicy serwisu.
20. Gdy urządzenie nie jest używane, należy odłączyć jego wtyczkę zasilania od gniazdka sieciowego. Gdy urządzenie jest podłączone do źródła zasilania, znajduje się w trybie czuwania i nie jest całkowicie wyłączone.
21. Części zamienne — przy wymianie części należy sprawdzić, czy pracownik serwisu użył części zamiennych zalecanych przez producenta lub też czy części są identyczne jak część oryginalna. Dokonywanie wymiany na niezatwierdzone części grozi wybuchem pożaru, porażeniem prądem elektrycznym lub innymi niebezpieczeństwami.
22. Główne bezpieczniki — aby zabezpieczyć w sposób ciągły urządzenie przed pożarem, należy używać bezpieczników właściwego typu i parametrów. Parametry bezpieczników w danym zakresie napięcia są zaznaczone na urządzeniu.
23. Nie wolno zwiększać głośności przy słuchaniu części utworu o małej głośności lub przy braku wejściowego sygnału audio. W innym wypadku może dojść do uszkodzenia głośnika przy gwałtownym wzroście natężenia sygnału.
24. Jedynym sposobem całkowitego odłączenia urządzenia od źródeł zasilania jest odłączenie kabla zasilania z gniazdka zasilania lub z urządzenia. Gniazdko sieciowe lub wejście kabla zasilania do urządzenia muszą być zawsze dostępne w trakcie używania produktu.
25. Urządzenie powinno się ustawić w pobliżu gniazdka sieciowego lub przedłużacza i w taki sposób, aby zawsze było dostępne.
26. Maksymalna temperatura otoczenia urządzenia wynosi 35°C.
27. Wskazówki dotyczące wyładowań elektrostatycznych — jeśli działanie urządzenia jest zakłócone wyładowaniami elektrostatycznymi, należy go wyłączyć i ponownie włączyć lub przenieść urządzenie w inne miejsce.
28. Bateria
 - a. Baterie nie mogą być narażone na działanie nadmiernego ciepła, jak np. promieni słonecznych, ognia itp.
 - b. Podczas utylizacji baterii należy zwrócić uwagę na aspekty ochrony środowiska.
 - c. Przestroga dotycząca używania baterii: aby nie dopuścić do rozszczelnienia baterii, które może spowodować obrażenia ciała bądź uszkodzenie urządzenia:
 - Podczas wkładania baterii zwrócić uwagę na jej polaryzację (+ i -).
 - Nie wolno jednocześnie używać różnych baterii — starych i nowych baterii standardowych i alkalicznych itd.
 - Należy wyjąć baterie z urządzenia, gdy nie będzie ono używane przez dłuższy czas.

Uwaga dotycząca ERP2 (urządzeń związanych z energią)

Niniejsze urządzenie z ekoprojektem spełnia wymagania etapu 2 Rozporządzenia Komisji (WE) nr 1275/2008 wprowadzającego dyrektywę 2009/125/WE dotyczącą poboru energii przez wyłączone i znajdujące się w trybie czuwania urządzenia elektroniczne do zastosowań biurowych i domowych.

Po upłygnięciu 30 minut bez wejściowego sygnału audio urządzenie automatycznie przejdzie w tryb czuwania. Informacje na temat przywrócenia normalnego działania można znaleźć w instrukcji obsługi.

Ważne informacje:

Niniejsze urządzenie jest wyposażone w funkcję trybu oszczędzania energii: jeśli w ciągu 15 minut nie jest podawany do niego żaden sygnał wejściowy, urządzenie automatycznie przejdzie w tryb czuwania w celu oszczędzania energii (norma ERP 2). Należy zauważyć, że ustawienie niskiego poziomu głośności w źródle sygnału audio może zostać rozpoznane jako stan „braku sygnału audio”: może to mieć wpływ na zdolność wykrywania sygnału z urządzenia oraz spowodować automatycznie przejście w tryb czuwania. W takim wypadku należy przywrócić transmisję sygnału audio lub zwiększyć poziom głośności w źródle sygnału audio (odtwarzaczu MP3 itp.) w celu wznowienia odtwarzania. Jeśli problem nie ustąpi, prosimy o kontakt z lokalnym serwisem.

OSTRZEŻENIE

Urządzenie nie powinno być używane przez osoby (w tym dzieci) o obniżonej sprawności fizycznej, sensorycznej lub umysłowej oraz osoby z niewystarczającą wiedzą i doświadczeniem, jeśli nie znajdują się one pod nadzorem osoby odpowiedzialnej za ich bezpieczeństwo i nie zostały poinstruowane jak bezpiecznie używać urządzenia. Obecność osób dorosłych jest wymagana, jeśli urządzenie obsługują dzieci; pozwoli to zapewnić bezpieczne korzystanie z urządzenia.

1. Nie wolno pozostawić pracującego urządzenia bez nadzoru! Należy wyłączyć urządzenie, gdy nie jest ono używane, nawet przez krótką chwilę.
2. Urządzenia nie wolno obsługiwać za pośrednictwem zewnętrznego zegara z układem czasowym ani za pomocą oddzielnego układu ze zdalnym sterowaniem.
3. Aby uniknąć zagrożenia w przypadku uszkodzenia przewodu zasilania, wymianę powinien wykonać producent, autoryzowany punkt serwisowy lub inna osoba posiadająca odpowiednie kwalifikacje.
4. Przed przystąpieniem do obsługi urządzenia należy sprawdzić, czy jego napięcie odpowiada napięciu występującemu w lokalnej sieci zasilającej.
5. Nie wolno zakrywać otworów wentylacyjnych urządzenia np. gazetami, obrusem, zasłonami itp. Należy upewnić się, że nad urządzeniem jest co najmniej 20 cm wolnego miejsca, a z każdej jego strony — co najmniej 5 cm.
6. Nie należy dopuszczać do tego, aby na urządzenie kapała lub wylewała się ciecz, ani nie należy stawiać na nim przedmiotów wypełnionych cieczami, takich jak wazy.
7. Aby uniknąć pożaru lub porażenia prądem elektrycznym, należy chronić urządzenie przed gorącymi miejscami, działaniem deszczu, wilgoci i pyłu.
8. Nie wolno ustawiać urządzenia w pobliżu jakichkolwiek źródeł wody, np. kranów, wanien, pralek lub basenów pływackich. Urządzenie należy ustawić na równym i stabilnym podłożu.
9. Nie wolno narażać urządzenia na silne pole magnetyczne.
10. Nie wolno stawiać urządzenia bezpośrednio na wzmacniaczu lub amplitunerze.
11. Nie wolno stawiać urządzenia w wilgotnym miejscu, gdyż wilgoć ma szkodliwy wpływ na podzespoły elektryczne.
12. Po wniesieniu urządzenia z zimnego do ciepłego miejsca lub do wilgotnego miejsca może dojść do kondensacji wilgoci na soczewce wewnątrz odtwarzacza. W takiej sytuacji urządzenie nie będzie działać prawidłowo. Należy pozostawić włączone urządzenie na około jedną godzinę, aby umożliwić odparowanie wilgoci.
13. Nie wolno czyścić urządzenia rozpuszczalnikami chemicznymi, gdyż mogą one zniszczyć lakier obudowy. Urządzenie wyciera się czystą, suchą lub nieznacznie zwilżoną ściereczką.
14. Podczas wyciągania wtyczki z gniazdka ściennego należy zawsze ciągnąć za wtyczkę, nigdy za kabel zasilania.
15. Gdy włączone urządzenie jest używane w pobliżu włączonego telewizora, może to być źródłem zakłóceń obrazu w postaci linii na ekranie. Zależy to od pasma fal transmisji TV. Nie oznacza to nieprawidłowego działania urządzenia ani telewizora. Jeśli są widoczne takie linie, należy odsunąć urządzenie od telewizora.
16. Wtyczka sieciowa jest używana do odłączania napięcia zasilającego i powinna być zawsze dostępna.
17. Aby nie dopuścić do ewentualnej utraty słuchu, nie wolno słuchać głośno muzyki przez dłuższy czas.



UWAGA
 Deklaracja


Niniejszym Blaupunkt Competence Center 2N-Everpol Sp. z o.o. oświadcza, że to urządzenie jest zgodne z wymogami i innymi odpowiednimi postanowieniami dyrektywy 2014/53 / UE. Pełną deklarację zgodności można uzyskać na stronie www.blaupunkt.com w zakładce produktu.

Podmiot odpowiedzialny: 2N-Everpol Sp. z o.o., Puławska 403A, 02-801 Warszawa, Polska, Telefon: +48 22 688 08 00, e-mail: info@everpol.pl



Produkt został wyprodukowany z wysokiej jakości materiałów i podzespołów, które można poddać recyklingowi i ponownie użyć.



Jeśli na urządzeniu znajduje się znak przekreślonego kosza na śmieci, oznacza to, że produkt jest objęty postanowieniami dyrektywy europejskiej 2012/19/EU. Na jej podstawie należy postępować zgodnie z lokalnymi przepisami i zapoznać się z wymaganiami dotyczącymi lokalnego systemu zbiórki odpadów elektrycznych i elektronicznych i w przypadku tego produktu, zastosować się do nich.

NIE WOLNO WYRZUCAĆ TEGO PRODUKTU RAZEM ZE ZWYKŁYMI ODPADAMI DOMOWYMI!

NINIEJSZY PRODUKT ZAWIERA NIEBEZPIECZNE: SUBSTANCJE, MIESZANINY I CZĘŚCI SKŁADOWE, KTÓRE ZUTYLIZOWANE W NIEDOZWOLONY SPOŚÓB, MOGĄ BYĆ ŹRÓDŁEM POTENCJALNYCH SKUTKÓW DLA ŚRODOWISKA NATURALNEGO ORAZ ZDROWIA LUDZKIEGO!

Prawidłowe usunięcie użytego produktu, zapobiegnie negatywnym skutkom dla środowiska naturalnego i zdrowia ludzkiego.



Urządzenie jest wyposażone w baterie objęte dyrektywą europejską 2006/66/WE. Baterie nie wolno wyrzucać razem z odpadami gospodarstwa domowego. Należy zapoznać się z lokalnymi przepisami dotyczącymi oddzielnej zbiórki baterii, ponieważ prawidłowa utylizacja zapobiegnie potencjalnym negatywnym skutkom dla środowiska naturalnego i zdrowia ludzkiego.

Informacje o ochronie środowiska naturalnego

Opakowanie zawiera tylko niezbędne elementy. Dołożono wszelkich starań, aby trzy materiały składowe opakowania były łatwe do oddzielenia: karton (pudełko), pianka polistyrenowa (zabezpieczenia wewnątrz) i polietylen (torebki, arkusz ochronny). Urządzenie wyprodukowano z materiałów, które można poddać recyklingowi i użyć ponownie po ich demontażu przez wyspecjalizowaną firmę. Należy przestrzegać lokalnych przepisów dotyczących utylizacji materiałów opakowaniowych, zużytych baterii i niepotrzebnych urządzeń.

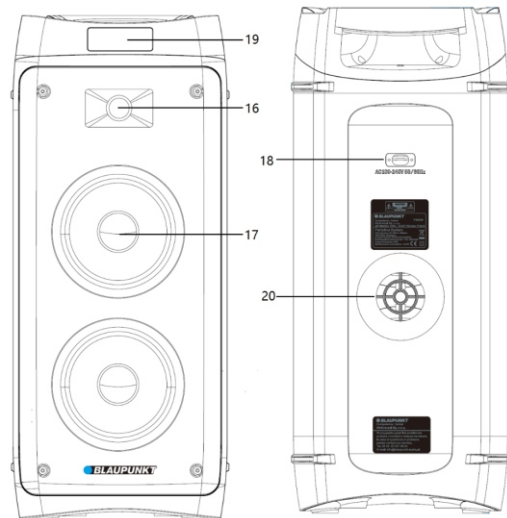
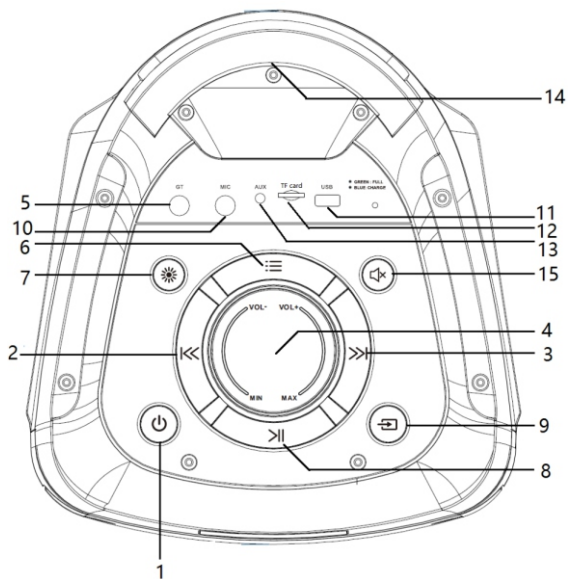
Nagrywanie i odtwarzanie materiałów może wymagać uzyskania zgody. Patrz ustawa o prawach autorskich i prawach wykonawców/artystów.



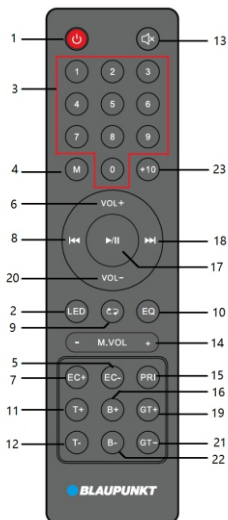
Właścicielem znaków towarowych i logo Bluetooth® jest firma Bluetooth SIG, Inc. USA. Użycie tych znaków i logo podlega licencji. Inne znaki i nazwy handlowe należą do odpowiednich właścicieli.

Dziękujemy za zakup naszego urządzenia. Przed przystąpieniem do obsługi należy dokładnie przeczytać i zapoznać się z niniejszą instrukcją. Prosimy zachować instrukcję w celu późniejszego wykorzystania.

Panel sterowania



- 1-Przełącznik włączania / wyłączenia; 2,3-Poprzedni / następny; 4-Sterowanie głośnością; 5-Wejście gitarowe;
 6-Przycisk menu, naciśnij go kilkakrotnie, aby przełączyć na ustawienia sopranu/basu/głośności mikrofonu/echo mikrofonu/
 sopranu mikrofonu/ basu mikrofonu/głośności gitary; 7- Oświetlenie disco; 8- Odtwarzanie / pauza;
 9-Przycisk wyboru źródła; 10- Gniazdo wejściowe mikrofonu przewodowego; 11- Port USB; 12- Gniazdo
 microSD; 13-Wejście AUX IN; 14- Rączka; 15- Wyciszenie;
 16- Głośnik wysokotonowy; 17- Głośnik średnio-niskotonowy; 18-Gniazdo przewodu zasilania AC;
 19- Wyświetlacz; 20- Port Bass-Reflex;



Pilot zdalnego sterowania

- 1 - Przycisk zasilania;
- 2 - Przycisk włączania/wyłączania oświetlenia disco;
- 3 - Przyciski numeryczne;
- 4 - Przycisk trybu odtwarzania;
- 5,7 - Przyciski regulacji Echo +/-;
- 6,20 - Przyciski do regulacji głośności +/-;
- 8,18 - Poprzedni i następny, przycisk kanał - / +;
- 9 - Przycisk funkcji powtarzania (powtarzanie pojedynczego utworu/powtarzanie całości/ odtwarzanie losowe);
- 10 - Equalizer EQ (flat/POP/Rock/Jazz/Classic)
- 11, 12 - Przyciski do regulacji wysokich tonów +/-;
- 13 - Przycisk wyciszenia;
- 14 - Przyciski do regulacji głośności mikrofonu +/-;
- 15 - Przycisk priorytetu mikrofonu;
- 16,22 - Przyciski do regulacji niskich tonów +/-;
- 17 - Odtwarzanie / pauza;
- 19, 21 - Przyciski do regulacji poziomu głośności wejścia gitarowego GT +/-;
- 23 - Przycisk +10;

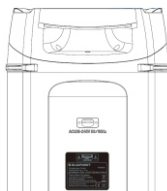
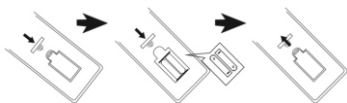
Podłączenie zasilania: Proszę sprawdzić, czy źródło zasilania odpowiada specyfikacji napięcia znamionowego, która znajduje się na tylnym panelu urządzenia. Jeśli się nie zgadza, należy skontaktować się ze sprzedawcą lub centrum serwisowym. Włóż żeńską wtyczkę kabla zasilającego do gniazdka w urządzeniu, a następnie podłącz wtyczkę kabla zasilającego do gniazda ściennego w celu uzyskania źródła zasilania.

Ładowanie akumulatora: wbudowany akumulator umożliwia odtwarzanie muzyki bez podłączenia do prądu. Gdy akumulator jest ładowany, dioda LED ładowania, która znajduje się na górnym panelu, będzie się świecić na kolor czerwony. Po pełnym naładowaniu wskaźnik zmieni kolor na zielony. Akumulator będzie ładowany nawet po wyłączeniu urządzenia, ale przy dostępnym źródle zasilania prądem zmiennym. Czas ładowania akumulatora wynosi około 4 godziny, a czas odtwarzania 3~5 godzin, w zależności od poziomu głośności odtwarzania. Urządzenie wyłączy się automatycznie w przypadku rozładowania akumulatora, należy go naładować w celu dalszego odtwarzania.

Uwaga: W trybie gotowości (krótkie naciśnięcie przycisku zasilania na panelu górnym lub za pomocą pilota) rozpocznie się automatyczne ładowanie urządzenia po 15 minutach ze względu na wymogi eko projektu. W celu pilnego ładowania, naciśnij i przytrzymaj przycisk zasilania (wyłącz urządzenie). Urządzenie może być ładowane w sposób ciągły podczas odtwarzania muzyki.

Eksploatacja akumulatora:

1. Gdy akumulator jest rozładowany lub bliski rozładowaniu, należy go jak najszybciej naładować. Jeśli nie jest ładowany przez dłuższy czas, jego wewnętrzna pojemność zostanie zmniejszona, co uniemożliwi pełne naładowanie lub skróci czas pracy.
2. W przypadku konieczności wymiany akumulatora prosimy o kontakt z lokalnym serwisem Blaupunkt.
3. Nie ładuj akumulatora dłużej niż 24 godziny. Nadmierne rozładowanie lub przeładowanie skracają żywotność akumulatora. Wielokrotne ładowanie i rozładowywanie wpływa na żywotność akumulatora oraz czas odtwarzania. Nie można zagwarantować takiego samego czasu odtwarzania w trakcie eksploatacji akumulatora. Zmiana żywotności akumulatora nie może być podstawą do rozszerzenia gwarancyjnych.



Instalacja baterii pilota zdalnego sterowania

Otwórz pokrywę komory baterii i włóż 2 baterie typu AAA (w zestawie); Upewnij się, że układ baterii będzie zgodny z symbolami pozytywnej i negatywnej polaryzacji nadrukowanymi w komorze. Następnie zamknij pokrywę baterii.

Uwagi:

- a. Najlepsza odległość robocza pilota wynosi 5 metrów bez żadnych przeszkód. Podczas używania czujnik pilota zdalnego sterowania należy skierować na przednią część urządzenia.
- b. Czujność pilota będzie stawała się słabsza wraz z wyczerpywaniem baterii. Zużyte baterie należy wymienić na nowe.
- c. Wymij baterie w przypadku nieużywania urządzenia przez dłuższy czas.
- d. Baterie należy wyrzucać w sposób przyjazny dla środowiska. W tym celu należy zapoznać się z wymaganiami władz lokalnych.

Obsługa ogólna

- 1. Włączanie / wyłączenie:** Długie naciśnięcie (2 sekundy) przycisku zasilania na górnym panelu, pozwala włączyć/wyłączyć urządzenie. Krótkie naciśnięcie przycisku zasilania na panelu górnym lub za pomocą pilota, pozwala przełączyć urządzenie w tryb gotowości. Sugerujemy całkowite wyłączenie urządzenia w przypadku braku działania przez dłuższy czas.
- 2. Wybór źródła odtwarzania:** Naciśnij przycisk wyboru źródła na panelu górnym lub przycisk trybu odtwarzania na pilocie zdalnego sterowania, aby przełączyć źródło odtwarzania pomiędzy FM / Bluetooth / Line in / USB / microSD.
- 3. Regulacja głośności:** Obróć pokrętkę sterowania głośnością na górnym panelu lub naciśnij przycisk VOL +/- na pilocie, aby zwiększyć lub zmniejszyć poziom głośności.
- 4. Regulacja tonów wysokich i niskich:** najpierw krótko naciśnij przycisk menu na górnym panelu, obróć pokrętkę głośności, aby wyregulować poziom tonów wysokich, na wyświetlaczu pojawi się odpowiednia cyfra informująca o poziomie tonów wysokich. Ponownie naciśnij przycisk menu, aby przejść do regulacji basów. Tę samą funkcję można osiągnąć, naciskając przycisk tonów wysokich/niskich +/- na pilocie zdalnego sterowania.
- 5. Wyciszenie dźwięku:** wciśnięcie przycisku MUTE na górnym panelu lub pilocie zdalnego sterowania powoduje wyciszenie dźwięku; Ponowne naciśnięcie tego przycisku przywraca dźwięk do ustawionego wcześniej poziomu.
- 6. Korektor EQ:** naciśnij kilkakrotnie przycisk EQ na pilocie , aby przełączyć tryb korektora pomiędzy ustawieniami: FLAT/POP/ROCK/JAZZ/CLASSIC.
- 7. Odtwarzanie / wstrzymanie:** naciśnij przycisk odtwarzanie/pauza, aby wstrzymać lub wznowić odtwarzanie muzyki w trybie Bluetooth / USB/microSD.
- 8. Powtarzanie i odtwarzanie losowe:** Naciskaj przycisk powtarzania, aby przełączyć odtwarzanie muzyki w trybie powtarzania jednego utworu/powtarzania całości/odtwarzania losowego.
- 9. Oświetlenie:** kilkakrotnie naciśnij przycisk oświetlenia, aby przełączać tryb oświetlenia pomiędzy ośmioma efektami lub je wyłączać.
- 10. Przyciski numeryczne i przycisk +10:** naciśnij przyciski numeryczne, aby wybrać konkretny numer utworu w trybie odtwarzania USB/microSD; lub przełącz numer zaprogramowanej stacji radiowej w trybie FM. Naciśnij przycisk +10, aby szybko wybrać utwór o 10 numerów wyżej.
- 11. Poprzedni/następny:** krótko naciśnij wybrany przycisk, aby przełączyć poprzedni lub następny utwór w trybie odtwarzania Bluetooth/USB/microSD.
- 12. Obsługa przycisku menu:** jest to przycisk wielofunkcyjny, naciśnij go wielokrotnie, aby przełączyć ustawienie soprano/basu/głośności mikrofonu/echa/tonów wysokich mikrofonu/tonów niskich mikrofonu/głośności gitary; następnie naciśnij pokrętkę głośności, aby wyregulować odpowiedni poziom; Poczekaj chwilę, aby wyjść z ustawień. (Informacje na wyświetlaczu: TE= poziom soprano, BS= poziom basu, CU= głośność mikrofonu, EC= echo, T= tony wysokie mikrofonu, B= tony niskie mikrofonu, GE= gitara)

Obsługa radia FM

Przed rozpoczęciem słuchania radia FM należy przenieść urządzenie obok okna w celu lepszego odbioru sygnału FM. Urządzenie posiada wbudowaną antenę wewnętrzną do odbioru FM.

- 1. Automatyczne skanowanie i programowanie stacji radiowych (tryb automatyczny):** Krótko naciśnij przycisk odtwarzania / pauzy na panelu górnym lub pilocie, aby automatycznie skanować i zapisywać dostępne stacje radiowe. Po zakończeniu skanowania urządzenie rozpocznie automatyczne odtwarzanie pierwszej zaprogramowanej stacji. (Maksymalna obsługiwana ilość zaprogramowanych stacji: 40)
- 2. Wybór stacji radiowych:** w trybie radia naciśnij przycisk następny / poprzedni na panelu górnym lub pilocie zdalnego sterowania, aby wybrać i odtworzyć poprzednią lub kolejną zaprogramowaną stację. Możesz również szybko wybrać zaprogramowaną stację, wprowadzając jej numer za pomocą przycisków numerycznych na pilocie zdalnego sterowania.
- 3. Strojenie ręczne:** wprowadź numer częstotliwości stacji radiowej za pomocą przycisków numerycznych na pilocie i poczekaj chwilę, urządzenie wybierze i odtworzy zadaną stację radiową.; naciśnij i przytrzymaj przycisk poprzedni / następny przez 2 sekundy, aby zeskanować dostępną stację w górę lub w dół pasma i automatycznie odtworzyć stację.

Odtwarzanie USB/microSD

Urządzenie posiada funkcję odtwarzania USB/microSD, która może dekodować i odtwarzać muzykę z przenośnych pamięci USB/microSD. Przed rozpoczęciem odtwarzania skopij muzykę MP3/WMA na przenośną pamięć USB/microSD; Włóż pamięć USB/SD do urządzenia, ponieważ tryb odtwarzania USB/microSD jest dostępny tylko wtedy, gdy pamięć USB/microSD zostanie prawidłowo podłączona. Następnie urządzenie automatycznie wykryje i odtworzy muzykę MP3/WMA.

Wybór utworu: krótko naciśnij przycisk poprzedni/następny, aby wybrać poprzedni lub następny utwór; Naciśnij i przytrzymaj przycisk służący do przewijania, aby przewinąć do przodu aktualnie odtwarzany utwór, zwolnij przycisk aby dalej odtwarzać utwór.

W trybie USB/microSD dostępne są następujące funkcje: odtwarzanie / pauza, wyciszenie, powtarzanie, +10 , korektor dźwięku, regulacja wysokie / niskie tony itp. Szczegóły znajdują się w punkcie "Obsługa ogólna" niniejszej instrukcji.

Uwagi:

- Nie zaleca się podłączania pamięci USB za pomocą przedłużaczy USB, ponieważ może mieć to negatywny wpływ na jakość odtwarzania i powodować hałas lub przerywany dźwięk spowodowany utratą danych audio podczas przesyłania plików.
- Nie można zagwarantować dekodowania i odtwarzania wszystkich utworów w formacie MP3/WMA/WAV/FLAC.
- Urządzenie obsługuje pamięci USB/microSD o maksymalnej pojemności 32GB
- Automatyczne odtworzenie niektórych pamięci USB/microSD, ze względu na typ i producenta, może zająć trochę więcej czasu; Należy pamiętać, że nie jest to usterka.

Działanie Bluetooth

Ten produkt posiada funkcję Bluetooth, która umożliwia bezprzewodowe odtwarzanie muzyki z innego urządzenia Bluetooth (takiego jak smartfon, tablet itp.).

- Naciśnij przycisk wyboru źródła, aby wejść w tryb Bluetooth, a symbol Bluetooth będzie migał na wyświetlaczu, co oznacza, że urządzenie jest gotowe do parowania.

2. Włącz funkcję Bluetooth w urządzeniu zewnętrznym i wyszukaj dostępne urządzenie (zapoznaj się z instrukcją obsługi urządzenia zewnętrznego), a następnie sprawdź dostępne urządzenie Bluetooth na liście. Wybierz "BP PB06" do połączenia, a symbol Bluetooth będzie świecił się stale na wyświetlaczu po pomyślnym sparowaniu.
3. Wybierz i odtwórz muzykę z zewnętrznego urządzenia Bluetooth, a następnie dźwięk zostanie odtworzony za pomocą głośnika w niniejszym urządzeniu.
4. Naciśnij przycisk poprzedni / następny, aby wybrać ostatni i następny utwór podczas odtwarzania.
5. W trybie Bluetooth można uzyskać funkcje odtwarzania / pauzy, wyciszania, korekcji dźwięku, korekcji tonów wysokich i niskich. Szczegóły znajdują się w punkcie „Obsługa ogólna” niniejszej instrukcji.

Uwagi:

- a. Nie można zagwarantować poprawnego połączenia się ze wszystkimi urządzeniami Bluetooth ze względu na odmienne projekty i marki.
- b. Odległość robocza Bluetooth wynosi 10 metrów bez żadnych przeszkód.
- c. Urządzenie może parować się i pracować z jednym urządzeniem Bluetooth jednocześnie.
- d. W przypadku połączenia przychodzącego podczas odtwarzania Bluetooth; Muzyka zatrzyma się na chwilę i wznowi odtwarzanie po zakończeniu rozmowy telefonicznej.
- e. Długo naciśnij przycisk odtwarzania / pauzy na górnym panelu, aby zamknąć bieżące połączenie z urządzeniem Bluetooth i rozpocząć parowanie z innym urządzeniem.

Funkcja bezprzewodowego stereo Bluetooth TWS (True Wireless Stereo): Głośnik posiada funkcję bezprzewodowego stereo TWS podczas odtwarzania Bluetooth. Funkcja dostępna jest dla dwóch głośników przełączonych w tryb Bluetooth. Podczas pierwszego uruchomienia funkcji bezprzewodowego stereo należy wybrać jeden z dwóch głośników jako jednostkę główną. Następnie należy długo nacisnąć (3 sekundy) przycisk „mode” na jego górnym panelu, aby sparować głośnik główny z drugim dostępnym głośnikiem. Po pomyślnym sparowaniu TWS z głośnika zostanie wyemitowany krótki dźwięk. Wyświetlacz głośnika podrzędnego będzie wyświetlał stale komunikat „SLAU” a na wyświetlaczu głośnika głównego komunikat „BLUE” będzie migał. Następnie można rozpocząć parowanie i obsługę Bluetooth a dźwięk będzie emitowany jednocześnie z obu głośników. W przypadku zmiany trybu odtwarzania na FM/microSD/USB lub AUX w głośniku głównym, dźwięk nadal będzie emitowany przez obydwie sparowane głośniki. Przy pierwszym sparowaniu TWS z głośników mogą być emitowane krótkie dźwięki „sa sa sa...”, co nie jest usterką.

W trybie odtwarzania TWS wszelkie regulacje będą dostępne w głośniku głównym. Niektóre funkcje nie są dostępne w głośniku podrzędnym, proszę zauważyć, że nie jest to usterka. Jeśli głośnik główny zostanie wyłączony, odtwarzanie TWS zostanie zatrzymane. W przypadku wyłączenia/włączenia trybu czuwania, wyłączenia/włączenia głośnika, należy długo nacisnąć (3 sekundy) przycisk trybu odtwarzania, aby ponownie sparować głośniki w trybie TWS. Ponowne długie naciśnięcie przycisku trybu odtwarzania rozłączy sparowane w trybie TWS głośniki.

Praca w trybie AUX IN

Aby podłączyć i odtwarzać muzykę z innego odtwarzacza lub urządzenia, należy postępować według poniższej instrukcji: Korzystając z kabla audio, (w zestawie) należy połączyć gniazdo AUX IN na górnym panelu urządzenia z wyjściem liniowym lub gniazdem słuchawkowym odtwarzacza, takiego jak np. odtwarzacz MP3, CD, DVD, mikser itp. Następnie należy wybrać i odtworzyć muzykę na zewnętrznym odtwarzaczu, a dźwięk zostanie odtworzony za pomocą niniejszego urządzenia. W trybie AUX-IN główną kontrolę nad odtwarzaniem sprawuje odtwarzacz zewnętrzny. W niniejszym urządzeniu możesz kontrolować głośność, wyciszyć dźwięk i wyregulować poziom basów i sopranów.

Karaoke

Otwórz pokrywę baterii mikrofonu bezprzewodowego (w zestawie), włóż 2 szt. suchych baterii w rozmiarze AA (brak w zestawie) zgodnie z wygrawerowanym symbolem biegunowości dodatniej i ujemnej w komorze baterii, a następnie zamknij pokrywę baterii mikrofonu. Ustaw przełącznik w pozycji włączenia, aby włączyć mikrofon. Po kilku sekundach głośnik automatycznie sparuje się z mikrofonem bezprzewodowym. Ustaw odpowiedni poziom głośności wyjściowej mikrofonu na górnym panelu, a następnie zacznij śpiewać. Urządzenie zawiera również gniazdo wejściowe dla mikrofonu przewodowego, włóż wtyczkę przewodowego mikrofonu (brak w zestawie) do gniazda 6,5 mm, a następnie włącz mikrofon w celu śpiewania.

Porady:

- a. Ustawianie głośności mikrofonu/echa/tonów wysokich mikrofonu/tonów niskich mikrofonu: naciśnij wielokrotnie przycisk menu, aby przełączyć ustawienie sopranu/basu/głośności mikrofonu/echa/tonów wysokich mikrofonu/tonów niskich mikrofonu/głośności gitary; następnie natychmiast obróć pokrętkę głośności, aby wyregulować odpowiedni poziom; Poczekaj chwilę, aby wyjść z ustawień. (Informacja na wyświetlaczu: TE= poziom sopranu, BS= poziom basu, CU= głośność mikrofonu, EC= echo, T= tony wysokie mikrofonu, B= tony niskie mikrofonu, GE= gitara)
- b. Głośnik może emitować głośny hałas lub zniekształcenia w momencie, gdy poziom głośności, ustawienia basów i sopranów lub funkcja echa ustawione są na zbyt wysokim poziomie. To nie jest usterka. Należy zmniejszyć poziom powyższych ustawień a następnie włączyć lub wyłączyć mikrofon.
- c. Możesz korzystać z funkcji karaoke i jednocześnie słuchać muzyki; w razie potrzeby zwiększ głośność Karaoke i wyreguluj poziom muzyki w tle, możesz spróbować wyregulować głośność oddzielnego mikrofonu i poziom głośności ogólnej.
- d. Wyłącz mikrofon, umieszczając go obok głośnika, w przeciwnym razie wystąpi ogromny hałas.
- e. Na obudowie mikrofonu bezprzewodowego znajduje się przełącznik wyciszania, który może wyciszyć dźwięk mikrofonu.
- f. W tym modelu istnieje funkcja priorytetu mikrofonu. Jeśli aktywujesz tę funkcję z pilota, dźwięk mikrofonu będzie odtwarzany z głośnika w pierwszej kolejności (podkład muzyczny zostanie wyciszony); odtwarzanie muzyki w tle, po zakończeniu używania mikrofonu, zostanie wznowione automatycznie.
- g. Możliwe jest jednoczesne korzystanie z mikrofonu bezprzewodowego i przewodowego.

Wejście gitarowe: Urządzenie posiada możliwość podłączenia instrumentu muzycznego takiego jak gitara, za pomocą gniazda gitarowego 6,3 mm na górnym panelu. W tym celu należy użyć dodatkowego przewodu (brak w zestawie). Krótko naciśnij kilkakrotnie przycisk menu na górnym panelu, aby przełączyć ustawienie głośności gitary (wyświetlane informacje GE dotyczą gitary); następnie obróć pokrętkę głośności natychmiast, aby wyregulować odpowiedni poziom; Poczekaj chwilę, aby wyjść z ustawień. Dźwięk z gitary będzie odtwarzany za pomocą głośnika. Możesz również dostosować poziom głośności gitary, naciskając przycisk GT +/GT – na pilocie.

Rozwiązywanie problemów

1. Głośnik nie może się włączyć.

a. Sprawdź, czy podłączenie zasilania jest prawidłowe.

2. Brak dźwięku.

a. Spróbuj wyregulować pokrętkę głośności i sprawdź źródło odtwarzania.

b. Skontaktuj się z centrum serwisowym, jeśli problem pozostanie.

3. Zniekształcenia dźwięku.

a. Spróbuj dostosować i odtworzyć muzykę z niższym poziomem głośności.

b. Sprawdź stan regulacji tonów wysokich / niskich.

4. Szum podczas słuchania stacji FM.

a. Przenieś urządzenie w inne miejsce w celu lepszego odbioru.

b. Włącz ponowne skanowanie lub zmień stację na inną.

Specyfikacja

Źródło zasilania: AC 110-240V, 50/60 Hz.

Zasilanie z akumulatora: 7,4V/5000mAh

Częstotliwość FM: 87,5-108,0 MHz.

Złącze USB: 5V, 500mA, wersja 2.0, obsługiwane pamięci masowe do 32 GB.

Karta MicroSD: obsługiwane nośniki do 32 GB.

USB / karty MicroSD obsługują format muzyczny: MP3, WMA, WAV, FLAC (nie gwarantuje się odtwarzania wszystkich tego typu plików)

Bluetooth: V5,0, odległość robocza do 10m

Moc wyjściowa RMS: 2 x 20W.

Mikrofon: wejście 1 x 6,5 mm, podłączenie mikrofonu przewodowego.

2 x mikrofon bezprzewodowy (częstotliwość: 208,8 MHz, 215 MHz, źródło zasilania: 2 x 1,5V, AA)

1 x wejście gitarowe.

Pobór mocy: 40W

Pobór mocy w trybie gotowości: <0.5W.

(Powyższa specyfikacja może ulec zmianie bez uprzedzenia.)

DŮLEŽITÉ BEZPEČNOSTNÍ POKYNY

Upozornění:

Chcete-li snížit riziko úrazu elektrickým proudem, neodstraňujte kryt nebo zadní část zařízení. Uvnitř nejsou žádné prvky určené pro opravu uživatelem. Údržbou a opravami zařízení se zabývá pouze kvalifikovaný servisní personál.

Vysvětlení grafických symbolů:


Symbol blesku se šipkou umístěn v trojúhelníku upozorňuje uživatele na přítomnost neizolovaného "nebezpečného napětí" v prostoru krytu zařízení, které může dosáhnout velikost hrozcí nebezpečí úrazu elektrickým proudem.



Symbol vykřičníku uvnitř rovnostranného trojúhelníku upozorňuje uživatele, že v této části jsou popsány důležité informace týkající se provozu a údržby zařízení v dokumentaci dodané se zařízením.

Před použitím přístroje si přečtěte tento návod, abyste se seznámili s jeho funkcemi a využili je, jak bylo zamýšleno pro zajištění dlouhé životnosti, bezporuchového provozu zařízení a radosti s používáním.

Důležité informace

- Uschovejte tento návod a bezpečnostní informace pro jejich použití v budoucnu.
- Nedovolte, aby na přístroj kapala nebo se lila tekutina.
- Nepoužívejte ve vlhkých místech, jako např. koupelny.
- Neumísťujte tento přístroj na následujících místech:
- Vystavených přímému slunečnímu záření nebo blízko radiátorů.
- Na jiná stereofonní zařízení, která generují teplo.
- Blokovat větrání nebo umísťovat v prašném prostředí.
- V prostorech vystavených otřesům.
- V prostorech s vysokou vlhkostí.
- Neumísťujte zařízení v blízkosti otevřeného ohně nebo svíčky.
- Zařízení lze použít pouze tak, jak je popsáno v tomto návodu.
- Před prvním zapnutím se ujistěte, že napájení bylo řádně připojeno.
- USB paměť se připojuje přímo nebo přes prodlužovací USB kabel s délkou do 25 cm.

Z bezpečnostních důvodů neodstraňujte kryty a nesnažte se dostat dovnitř zařízení. Přístroj by měl být opravován pouze kvalifikovaným servisním personálem. Nerozebírejte zařízení ani neotevírejte kryt, protože uvnitř nejsou žádné díly, které mohou být opraveny vlastními silami. Údržbou a opravami zařízení se zabývá výhradně kvalifikovaný servisní personál.

BEZPEČNOSTNÍ POKYNY

1. Přečtěte si pokyny - před použitím zařízení si přečtěte celý návod a bezpečnostní informace.
2. Tyto pokyny uschovejte - uschovejte návod k použití pro použití v budoucnu.
3. Dodržujte varování - dodržujte veškerá varování umístěná na zařízení a v souladu s pokyny.
4. Dodržujte pokyny - postupujte podle pokynů a návodu pro uživatele.
5. Instalace - nastavte zařízení podle pokynů výrobce.
6. Napájecí zdroje - tento produkt by měl být napájen pouze ze zdrojů uvedených na označení na napájecím kabelu. Pokud si nejste jisti, jaký typ napájení máte doma, měli byste se obrátit na svého prodejce nebo místního dodavatele elektrické energie.
7. Uzemnění nebo polarizace napájení - zařízení nemusí být uzemněno. Ujistěte se, že je zástrčka zcela zasunuta do zásuvky ve zdi nebo do prodlužovacího kabelu, aby se zabránilo odhalení kolíků a kontaktů. Některé verze zařízení mohou být vybaveny polarizovanou zástrčkou AC (s kolíkem). Tuto zástrčku lze zasunout do síťové zásuvky pouze jedním způsobem. Toto je bezpečnostní funkce. Pokud nelze vložit zástrčku do zásuvky, zkuste ji otočit. Pokud zástrčka stále nepasuje do zásuvky, požádejte elektrikáře, aby ji vyměnil. Neodstraňujte zabezpečení polarizované zástrčky. Pokud používáte prodlužovací kabel nebo kabel jiný než dodávaný s zařízením, měl/a byste mít odpovídající zástrčky a bezpečnostní osvědčení požadované ve vaší zemi.
8. Zajištění napájecího kabelu - napájecí kabely by měly být vedeny tak, aby nikdo po nich nešlapal, nestiskal a aby nedošlo k odřiznutí části zařízení předmety umístěnými vedle. Věnujte zvláštní pozornost zástrčkám, zásuvkám a místům vyznačujícím se tím, že kabely jsou vyvedeny ven ze zařízení.
9. Přetížení - Nepřetěžujte zásuvky ve zdi, prodlužovací šňůry a elektrické rozvaděče, může to mít za následek poruchu nebo úraz elektrickým proudem.
10. Větrání - Přístroj musí být řádně větran. Nepokládejte výrobek na postel, pohovku, nebo podobný povrch. Nezakrývejte zařízení ubrusy ubrusky, novinami, atd.
11. Teplo - Neumísťujte zařízení blízko zdrojů tepla jako jsou radiátory, kamna nebo jiné přístroje (včetně zesilovačů), které produkují teplo. Nepokládejte na zařízení zapálené svíčky a jiné otevřené zdroje ohně.
12. Voda a vlhkost - aby se snížilo riziko poruchy nebo úrazu elektrickým proudem, nevystavujte přístroj působení deště, vody a vlhkosti, jako například v sauně, nebo v koupelně. Nepoužívejte toto zařízení v blízkosti vody, například u vany, umyvadla, kuchyňského dřezu nebo prádelny vany, ve vlhkém sklepě nebo v blízkosti bazény (nebo na podobných místech).
13. Objekty a kapaliny v zařízení - Nevkládejte objekty přes otvory, protože mohou přijít do styku s body nebezpečného napětí a komponenty, které mohou způsobit poruchu nebo úraz elektrickým proudem. Tekutiny by za žádných okolností neměly vniknout na povrch přístroje. Nepokládejte žádné předměty obsahující kapaliny na horní část zařízení.

14. Čištění – před čištěním vždy odpojte přístroj od elektrické zásuvky. Prach kolem reproduktoru lze odstranit jen suchým hadříkem. Pokud je třeba použít čisticí sprej, nesměrujte postřik ne přímo na přístroj, ale na hadřík. Dávejte pozor, aby nedošlo k poškození pohonné jednotky
15. Přídavná zařízení - nepoužívejte příslušenství, která nejsou schválena výrobcem, protože mohou představovat hrozbu.
16. Příslušenství - neumísťujte přístroj na nestabilní vozík, stojan, stativ, držák nebo stůl. Přístroj může spadnout, poškodit se a způsobit vážné zranění dětem nebo dospělým. Použití pouze s vozíkem, stojanem, trojnožkou, držákem nebo stolem, stanoveným výrobcem nebo prodáváním se zařízením. Instalace zařízení by měla být provedena v souladu s pokyny výrobce, za použití montážních sad doporučených výrobcem.
17. Stěhování zařízení - zařízení umístěné na vozíku pohybuje velmi pečlivě. Rychlé zastavení, nadměrné použití síly a nerovné povrchy mohou způsobit převrácení vozíku se zařízením.
18. Období mimo provoz - napájecí šňůra musí být odpojena od zásuvky během bouřky nebo kdy přístroj není používán po dlouhou dobu.
19. Servis - Nepokoušejte se o vlastnoruční prohlídky zařízení. Otevření krytu může způsobit nebezpečné napětí a vystavit uživatele na nebezpečí. Údržbou a opravami zařízení se zabývá výhradně kvalifikovaný servisní personál.
20. Pokud nepoužíváte zařízení, odpojte napájecí kabel od zásuvky ve zdi. Pokud je zařízení připojeno ke zdroji napájení, je v pohotovostním režimu a není zcela vyloučeno.
21. Náhradní díly - při výměně dílů, zkontrolujte, zda zaměstnanec servisu použil náhradní díly specifikované výrobcem, nebo díly stejné jako původní. Výměna za neschválené díly hrozí poruchou, úrazem elektrickým proudem nebo jiným nebezpečím.
22. Hlavní pojistky – pro kontinuální zabezpečení zařízení před ohněm, použijte pojistky správného typu a parametrů. Parametry pojistky v rozsahu napětí jsou vyznačeny na přístroji.
23. Nezvyšujte hlasitost při poslechu skladby malé hlasitosti nebo v nepřítomnosti vstupního zvukového signálu. V opačném případě může dojít k poškození reproduktoru při rychlém zvýšení síly signálu.
24. Jediným způsobem, odpojení zařízení od zdroje elektrické energie je odpojení napájecího kabelu od elektrické zásuvky nebo od zařízení. Zásuvka nebo vstupní napájecí kabel k zařízení musí být vždy k dispozici při používání výrobku.
25. Zařízení by mělo být instalováno v blízkosti elektrické zásuvky nebo prodlužovačky a to takovým způsobem, aby bylo vždy k dispozici.
26. Maximální okolní teplota zařízení je 35 °C
27. Pokyny týkající se elektrostatických výbojů - v případě, že činnost zařízení je narušena elektrostatickými výboji, vypněte jej a opětovně zapnete nebo přemístíte přístroj do jiného místa.
28. Baterie
 - A. Baterie nesmí být vystaveny nadměrnému teplu, jako je sluneční záření, oheň atd.
 - B. Při likvidaci baterie, věnujte pozornost environmentálním aspektům.
 - C. Upozornění týkající se používání baterií: aby se zabránilo úniku baterie, což může mít za následek zranění nebo poškození zařízení:
 - Při vkládání baterií dbejte na správnou polaritu (+ a -).
 - Nepoužívejte různé baterie najednou - staré a nové baterie, standardní a alkalické apod.
 - Vyměňte baterie z přístroje, když není používán po delší dobu

Poznámka o ERP2 (zařízení související se spotřebou energie)

Toto zařízení je ekodesignem je v souladu s požadavky části 2 nařízení Komise (ES) 1275/2008 ke směrnici 2009/125/ES o spotřebě energie kterým se provádí směrnice Evropského parlamentu a Rady 2005/32/ES, pokud jde o požadavky na ekodesign z hlediska spotřeby elektrické energie elektrických a elektronických zařízení určených pro domácnosti a kanceláře v pohotovostním režimu a ve vypnutém stavu. Po uplynutí 30 minut bez vstupního audio signálu zařízení se automaticky přepne do pohotovostního režimu. Informace o obnovení normálního provozu lze nalézt v příručce.

Důležité informace:

Tento přístroj je vybaven režimem pro úsporu energie: pokud v rámci 15 minut nebude automaticky podán žádný vstupní signál, přístroj přejde do pohotovostního režimu, aby šetřil energii (ERP standard 2). Je třeba poznamenat, že nízké nastavení hlasitosti ve zdroji audio signálu může být rozpoznáno jako stav "bez zvuku", což může ovlivnit vaši schopnost detekování signálu ze zařízení a způsobit automaticky posun do pohotovostního režimu. V tomto případě, obnovte přenos zvuku a zvýšete hlasitost zdroje zvuku (MP3 přehrávač atd.), pro obnovení přehrávání. Pokud problém přetrvává, obraťte se na místní servisní středisko.

VAROVÁNÍ

Přístroj by neměl být používán osobami (včetně dětí) s fyzickým, smyslovým nebo mentálním postižením a osobami s nedostatečnými znalostmi a zkušenostmi, pokud nejsou pod dohledem osoby odpovědné za jejich bezpečnost a nebyly poučeny, jak bezpečně používat zařízení. Přítomnost dospělých je nutná v případě, že zařízení obsluhují děti; to umožní zajištění bezpečného provozu zařízení.

1. Nikdy nenechávejte zařízení běžet bez dozoru! Vypněte zařízení, pokud jej nepoužíváte, a to i na krátkou dobu.
2. Neprovodujte přístroj přes externí časovač nebo samostatný systém dálkového ovládní.
3. Aby se zabránilo nebezpečí, v případě poškození napájecího kabelu výměnu by měl dělat výrobce, autorizovaný poskytovatel služeb nebo jiná osoba, mající příslušné kvalifikace.
4. Před použitím zařízení zkontrolujte, zda napětí odpovídá napětí vyskytujícímu se v místní síti.
5. Nezakrývejte větrací otvory novinami, ubrusy, záclonami, atd. Ujistěte se, že nad přístrojem je alespoň 20 cm volného prostoru, a z každé strany - nejméně 5 cm.
6. Nedovolte, aby na přístroj kapaly nebo se lily tekutiny a nepokládejte na něj předměty naplněné kapalinami, jako například vázy.

7. Aby nedošlo k poruše nebo k úrazu elektrickým proudem, nevystavujte zařízení na horká místa, na dešť, vlhkost a prach.
8. Nepokládejte zařízení do blízkosti zdrojů vody, jako jsou kohoutky, vany, pračky nebo bazény. Umístěte zařízení na plochý stabilní povrch.
9. Nevystavujte silnému magnetickému poli.
10. Nepokládejte zařízení přímo na zesilovači nebo přijímači.
11. Nepokládejte přístroj na vlhká místa, protože vlhkost poškozuje elektrické součásti.
12. Přenos zařízení z chladného do teplého prostředí nebo do vlhkého prostoru může vést ke kondenzaci vlhkosti na čočce uvnitř přehrávače. V takové situaci, přístroj nebude pracovat správně. Nechte součásti v přístroji po dobu jedné hodiny pro odpařování vlhkosti.
13. Nečistěte zařízení chemickými rozpouštědly, protože mohou zničit lak skříně. Přístroj se čistí čistým, suchým nebo mírně vlhkým hadříkem.
14. Při odpojování ze zásuvky vždy tahejte za zástrčku, ne za kabel.
15. Když se zapnutý přístroj používá v blízkosti zapnutého televizoru, může být zdrojem narušení obrazu v podobě čar na obrazovce. Kvalita obrazu závisí na vlnovém pásmu TV vysílání. Tento jev neznamena poruchu zařízení nebo televizoru. Vidíte-li tyto čáry, umístěte přístroj do větší vzdálenosti od televizoru.
16. Síťová zástrčka se používá k odpojení napájení a měla by být vždy k dispozici.
17. Chcete-li zabránit možné ztrátě sluchu, neposlouchejte hudbu delší dobu nahlas.



POZOR

Prohlášení o shodě

Blaupunkt Competence Center zN-Éverpol Sp. z o.o. tímto prohlašuje, že je toto zařízení v souladu se základními požadavky a dalšími příslušnými ustanoveními směrnice 2014/53 / EU. Prohlášení o shodě lze získat ze stránky produktu na www.blaupunkt.com.

Odpovědná strana: zN-Éverpol Sp. z o.o., Puławska 403A, 02-801 Varšava, Polsko, Tel: +48 22 688 08 00, E-mail: info@everpol.pl



Naše produkty jsou navrženy a vyrobeny z vysoce kvalitních materiálů a komponent, které jsou recyklovatelné a znovu použitelné.



Pokud je na vašem zařízení symbol přeškrtnutého kontejneru, znamená to, že se na produkt vztahují ustanovení evropské směrnice 2012/19/EU. Na základě toho prosím dodržujte místní předpisy a seznamte se s požadavky na místní systém sběru elektrického a elektronického odpadu a v případě tohoto produktu je dodržujte.

NEVYHAZUJTE TENTO VÝROBEK S DOMÁCÍM ODPADEM!

TENTO PRODUKT OBSAHUJE NEBEZPEČNÉ LÁTKY, SMĚSI A SLOŽKY, KTERÉ V PŘÍPADĚ NEAUTORIZACE MOHOU BÝT ZDROJEM POTENCIÁLNÍCH VLIVŮ NA PŘÍRODNÍ PROSTŘEDÍ A LIDSKÉ ZDRAVÍ!

Správnou likvidací použitého výrobku zabráníte negativním dopadům na životní prostředí a lidské zdraví.



Výrobek obsahuje baterie podléhající směrnici 2006/66/EC, které nelze vyhazovat do běžného domovního odpadu. Informujte se prosím o místních pravidlech o sběru baterií, neboť správnou likvidací pomůžete předcházet negativním důsledkům pro ČESKÝ životní prostředí a lidské zdraví.

Informace týkající se životního prostředí

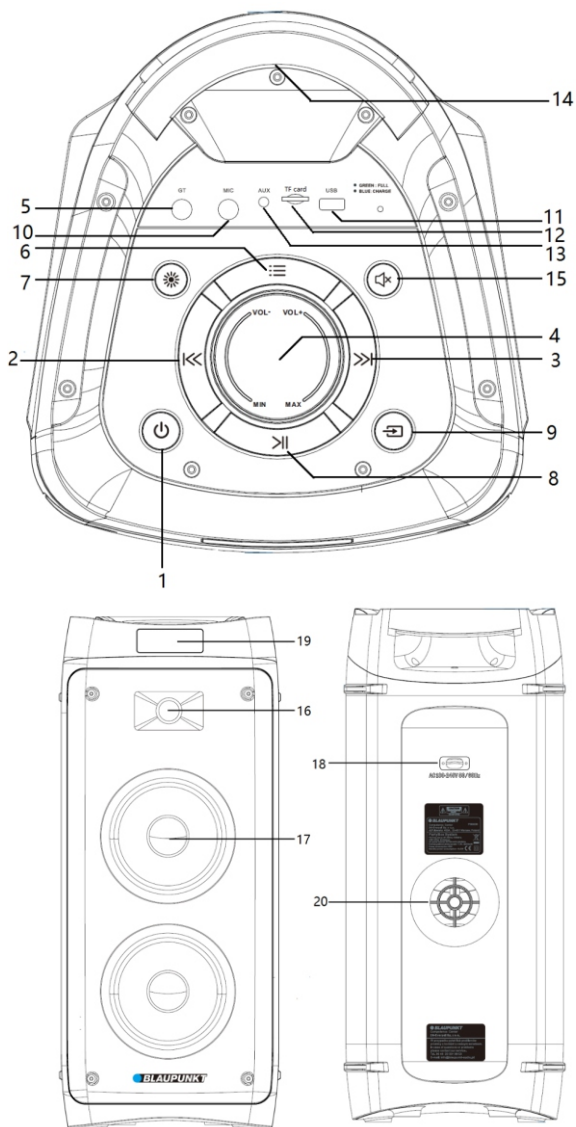
Výrobek je zabalen pouze v nezbytném obalu pro jeho ochranu. Snahou naší firmy je, aby byl obalový materiál snadno rozdělitelný na tři materiály: lepenku (krabice), polystyrén (ochranné balení) a polyethylen (sáčky, ochranné fólie z lehčeného plastu). Výrobek se skládá z materiálů, které lze recyklovat a znovu použít v případě demontáže odbornou firmou. Dodržujte prosím místní předpisy týkající se likvidace obalových materiálů, vybitých baterií a starého zařízení. Na nahrávání a přehrávání materiálů může být vyžadován souhlas. Viz Zákon o Copyrightu Act 1956 a Zákon na ochranu umělců Sk 1958-1972.



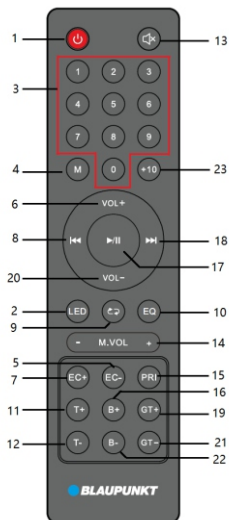
Bluetooth® název i logo jsou registrované obchodní známky společnosti Bluetooth SIG, Inc. a její použití je zatíženo licencí. Ostatní obchodní známky a jména jsou vlastněny jejich vlastníky.

Děkujeme za nákup našeho zařízení. Před zahájením obsluhy je nejprve nutné podrobně přečíst a seznámit se s tímto návodem. Uchovejte návod pro případné použití v budoucnu.

Řídicí panel



- | | | | |
|---|---|-----------------------------------|--------------------|
| 1- Přepínač zapnuto / vypnuto; | 2, 3 - Předchozí/následující; | 4 - Ovládání hlasitosti; | 5- Kytarový vstup; |
| 6 - (Tlačítko Menu, opakovaným stisknutím přepnete na nastavení výšek / basů / hlasitosti mikrofonu / ozvěny mikrofonu / výšek mikrofonu / basů mikrofonu / hlasitosti kytary.) | 7 - Osvětlení disco; | 8 - Přehrávání / pauza; | |
| 9 -Tlačítko volby vstupu; | 10 - Vstupní zásuvka pro kabelový mikrofon; | 11 - Port USB; | |
| 12 - Slot microSD; | 13- Vstup AUX IN; | 14- Rukojeť; | 15- Ztlumení; |
| 16- Výškový reproduktor; | 17- Středobasový reproduktor; | 18- Zásuvka napájecího kabelu AC; | |
| 19- Displej; | 20- Port Bass-Reflex; | | |



Dálkový ovládač

- 1 - Tlačítko napájení;
- 2 - Tlačítko vypnutí/zapnutí osvětlení disco;
- 3 - Číselná tlačítka;
- 4 - Tlačítko zapnutí/vypnutí funkce náhodného přehrávání
- 5,7 - Tlačítka nastavení Echo +/-;
- 6,20 - Tlačítka nastavení hlasitosti +/-;
- 8, 18 - Předchozí a následující, tlačítko kanál - / +;
- 9 - Tlačítko funkce opakování (opakování jedné skladby/ opakování všech skladeb / náhodné přehrávání);
- 10 - Ekvalizér EQ (flat/POP/Rock/Jazz/Classic)
- 11, 12 - Tlačítka nastavení výšek +/-;
- 13 - Tlačítko ztlumění;
- 14 - Tlačítko nastavení hlasitosti mikrofonu +/-;
- 15 - Tlačítko priority mikrofonu;
- 16,22 - Tlačítka nastavení basů +/-
- 17 - Přehrávání / pauza;
- 19 - Tlačítko vyhledávání;
- 19, 21 - Tlačítka nastavení hlasitosti kytarového vstupu GT +/-;
- 23 - Tlačítko +10;

Připojení napájení

Ověřit, zda zdroj napájení odpovídá specifikaci jmenovitého napětí, která se nachází na zadním panelu zařízení. Pokud se neshoduje, je nutné kontaktovat prodejce nebo servisní centrum.

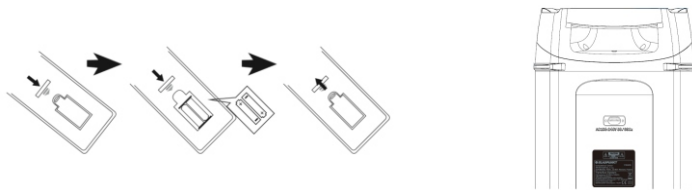
Zasunout ženskou zástrčku napájecího kabelu do zásuvky v zařízení, následně, pro získání zdroje napájení, připojit zástrčku napájecího kabelu do nástěnné zásuvky.

Nabíjení akumulátoru: vestavěný akumulátor umožňuje přehrávání hudby bez připojení k napájecímu zdroji. kontrolní LED nabíjení, která se nachází na horním panelu, bude svítit červenou barvou. Po úplném nabití se barva indikátoru změní na zelenou. Akumulátor se bude nabíjet, i když je zařízení vypnuto, ale zůstalo připojeno k napájecímu zdroji. Doba nabíjení akumulátoru je 4 hodin a doba přehrávání 3–5 hodiny v závislosti na úrovni hlasitosti přehrávání. V případě vybití akumulátoru se zařízení automaticky vypne a pro pokračování v přehrávání je nutné ho nabít.

Upozornění: V pohotovostním režimu (krátké stisknutí tlačítka napájení na horním panelu nebo pomocí dálkového ovládače) se zařízení začne automaticky nabíjet po 15 minutách z důvodu požadavků na ekologický projekt. V případě naléhavého nabíjení stiskněte a podržte tlačítko napájení (vypnout zařízení). Zařízení lze nabíjet nepřetržitě, během přehrávání hudby.

Obsluha akumulátoru:

1. Jakmile je akumulátor vybitý nebo téměř vybitý, co nejdříve jej nabijte. Pokud není delší dobu nabít, sniží se jeho vnitřní kapacita, což zabrání úplnému nabití nebo zkrátí provozní dobu.
2. Pokud je nutné akumulátor vyměnit, obraťte se na místní servisní středisko Blaupunkt.
3. Akumulátor nenabíjejte déle než 24 hodin. nadměrné vybití nebo nadměrné nabití zkracuje životnost akumulátoru. Opakované nabíjení a vybíjení ovlivňuje životnost akumulátoru a dobu přehrávání. Při použití akumulátoru není možné zaručit stabilní dobu přehrávání. Změna životnosti akumulátoru nemůže být základem pro reklamace v rámci záruky.



Instalace baterií dálkového ovládače

Otevřít kryt prostoru pro baterie a vložit 2 baterie typu AAA (jsou součástí dodávky); Ujistěte se, že umístění baterií se shoduje se symboly kladné a záporné polarizace vylistovanými v prostoru pro baterie. Následně umístit kryt prostoru pro baterie zpět.

Poznámky:

- a. Nejlepší pracovní vzdálenost ovládače činí 5 metrů bez jakýchkoliv překážek. Při použití je nutné nasměřovat čidlo ovládače na přední část zařízení.
- b. Citlivost ovládače bude slabnět spolu se spotřebou baterií. Spotřebované baterie je nutné vyměnit za nové.
- c. V případě, že zařízení nebudete po delší dobu používat, baterie vyjměte.
- d. Baterie je nutné likvidovat ekologicky šetrným způsobem. Za tímto účelem se je třeba seznámit s požadavky místní samosprávy.

Všeobecná obsluha

- 1. Zapnutí / vypnutí:** Dlouhým stisknutím (2 sekundy) tlačítka napájení na horním panelu můžete zařízení zapnout/vypnout. Krátkým stisknutím tlačítka napájení na horním panelu nebo pomocí dálkového ovladače přepneme zařízení do pohotovostního režimu. Pokud nebude přístroj delší dobu používán, je vhodné jej zcela vypnout.
- 2. Vyběr zdroje přehrávání:** Zmáčknete tlačítko volby vstupu na hlavním panelu nebo tlačítko režimu přehrávání na dálkovém ovládacím pro přepnutí zdroje přehrávání mezi FM / Bluetooth / Line in / USB / microSD.
- 3. Regulace hlasitosti:** Otočíte ovládací kolečko hlasitosti na vrchním panelu nebo zmáčknete tlačítko VOL +/- na ovládacím, pro zvýšení nebo snížení hlasitosti.
- 4. Nastavení výšek a basů:** nejprve krátce stisknete tlačítko menu na horním panelu, otočením ovladače hlasitosti upravte úroveň výšek, na displeji se zobrazí příslušné číslo udávající úroveň výšek. Opětovným stisknutím tlačítka nastavení výšek / basů vstoupíte do nastavení basů. Stejně funkce lze dosáhnout stisknutím tlačítka výšek +/- na dálkovém ovladači.
- 5. Ztlumení zvuku:** zmáčknutí tlačítka MUTE na horním panelu nebo ovládacím způsobí ztlumení zvuku; Opětovně zmáčknutí tohoto tlačítka vrací zvuk na dříve nastavenou hodnotu.
- 6. EQ ekvalizér:** opakovaným stisknutím tlačítka EQ na dálkovém ovladači přepínáte režim ekvalizéru mezi nastaveními: FLAT/POP/ROCK/JAZZ/CLASSIC.
- 7. Přehrávání / pozastavení:** pro pozastavení nebo obnovení přehrávání hudby v režimu Bluetooth / USB/microSD, zmáčknete tlačítko přehrávání/pauza.
- 8. Opakování a náhodné přehrávání:** Stisknutím tlačítka opakování přepnete přehrávání hudby v režimu opakování jedné skladby / opakování všech skladeb / náhodné přehrávání.
- 9. Osvětlení:** pro přepínání mezi osmi efekty režimu osvětlení nebo pro jejich vypnutí, je nutné opakovaně zmáčknout tlačítko osvětlení.
- 10. Číselná tlačítka a tlačítko +10:** stisknutím numerických tlačítek vyberte konkrétní číslo skladby v režimu přehrávání USB / microSD; nebo přepnete číslo předvolené rozhlasové stanice v režimu FM. Stisknutím tlačítka +10 rychle vyberete skladbu o 10 čísel vyšší.
- 11. Předchozí/následující:** krátkým stisknutím vybraného tlačítka přepnete předchozí nebo následující skladbu v režimu přehrávání Bluetooth / USB / microSD.
- 12. Ovládací tlačítka menu:** Jedná se o multifunkční tlačítko, jeho opakovaným stisknutím můžete přepínat nastavení výšek / basů / hlasitosti mikrofonu / echa / výšek mikrofonu / basů mikrofonu / hlasitosti kytary; potom okamžitě otočte knoflíkem hlasitosti pro nastavení příslušné úrovně; Chcete-li nastavení opustit, chvíli počkejte. (informace na displeji: TE = úroveň výšek, BS = úroveň basů, CU = hlasitost mikrofonu, EC = echo, T = výšky mikrofonu, B = basy mikrofonu, GE = kytara)

Obsluha FM rádia

Před zahájením poslechu FM rádia, je pro dosažení lepšího příjmu FM signálu nutné zařízení umístit vedle okna. Zařízení má vestavěnou interní anténu pro příjem FM.

- 1. Automatické skenování a programování rádiových stanic (automatický režim):** Krátkým stisknutím tlačítka přehrávání / pozastavení na horním panelu nebo na dálkovém ovladači automaticky vyhledáte a uložíte dostupné rozhlasové stanice. Po ukončení skenování, zařízení zahájí automatické přehrávání první naprogramované stanice. (Maximální počet obsluhovaných naprogramovaných stanic: 40)
- 2. Volba rádiové stanice:** pro výběr a přehrávání předchozí nebo následné naprogramované stanice, je nutné v režimu rádia zmáčknout tlačítko následující / předchozí na vrchním panelu nebo ovládacím. Předvolenou stanici můžete rovněž rychle vybrat zadáním jejího čísla pomocí numerických tlačítek na dálkovém ovladači.
- 3. Manuální ladění:** stisknete a přidržíte tlačítko Předchozí/následující po 2 sekundy, naskenujete tak dostupnou stanici v horní nebo dolní části pásma a automaticky můžete stanici přehrávat. Pomocí numerických tlačítek na dálkovém ovládacím zadejte číselné frekvenci rozhlasové stanice a chvíli počkejte, přístroj vybere a pustí požadovanou rozhlasovou stanici.

USB/microSD přehrávání

Zařízení má funkci USB/microSD přehrávání, která může dekodovat a přehrávat hudbu z přenosných USB/microSD pamětí. Před zahájením přehrávání, zkopírovat hudbu MP3/WMA na přenosnou USB/microSD paměť; Vložit USB/microSD paměť do zařízení, protože režim USB přehrávání je dostupný pouze tehdy, když je USB/microSD paměť správně připojená. Následně zařízení provede automatické rozpoznání a přehraje MP3 hudbu.

Volba skladby: pro zvolení předchozí nebo následující skladby, je třeba krátce zmáčknout tlačítko předchozí/následující; Pro posunutí aktuálně přehrávané skladby do předu, je třeba zmáčknout a podržet tlačítko sloužící k přetáčení, pro další poslech skladby, tlačítko uvolnit.

V režimu USB/microSD jsou dostupné následující funkce: přehrávání / pauza, ztlumení, opakování, korekce zvuku, regulace vysokých / nízkých tónů +10 atp. Podrobnosti se nacházejí v bodě „Všeobecná obsluha“ tohoto návodu.

Poznámky:

- Nedoporučuje se připojovat USB paměti pomocí USB prodlužovacích kabelů, protože to může mít negativní vliv na kvalitu přehrávání a způsobovat hluk nebo přerušovaný zvuk, který je způsobený ztrátou audio dat během odešlání souborů.
- Nelze zaručit dekodování a přehrávání všech skladeb ve formátu MP3/WMA/WAV/FLAC.
- Zařízení obsluhuje USB/micro paměti s maximálním objemem 32 GB.
- Automatické přehrávání některých USB/micro pamětí, může, s ohledem na typ a výrobce, zabrat trochu víc času; Nesmíme zapomínat, že nejde o poruchu.

Fungování Bluetooth

Tento produkt má funkci Bluetooth, která umožňuje bezdrátové přehrávání hudby z jiného zařízení Bluetooth (jakým je chytrý telefon, tablet atp.).

- Opakovaně zmáčknete tlačítko volby vstupu, pro vstup do režimu Bluetooth, symbol Bluetooth bude na displeji blikat, což znamená, že zařízení je připraveno ke spárování.

2. Zapnout funkci Bluetooth na vnějším zařízení a vyhledat dostupná zařízení (seznamte se s návodem pro obsluhu vnějšího zařízení), následně ověřit dostupnost zařízení Bluetooth v seznamu. Pro připojení zvolit "BP PB06", symbol Bluetooth bude na displeji po provedeném párování trvale svisit.
3. Zvolit a přehrát hudbu z vnějšího zařízení Bluetooth, následně dojde k přehrání zvuku pomocí reproduktoru v zařízení.
4. Pro výběr poslední a následující přehrávané skladby, zmáčknout tlačítko předcházející / následující.
5. V režimu Bluetooth je možno mít funkci přehrávání / pauzy, ztlumení, korekce zvuku, korekce vysokých a nízkých tónů. Podrobnosti se nacházejí v bodě „Všeobecná obsluha“ tohoto návodu.

Poznámky:

- a. Nelze zaručit správné propojení se všemi zařízeními Bluetooth a to s ohledem na odlišné projekty a značky.
- b. Pracovní vzdálenosti Bluetooth je 10 metrů bez jakýchkoliv překážek.
- c. Zařízení se může spárovat a pracovat s jedním zařízením Bluetooth současně.
- d. V případě přímého spojení během přehrávání Bluetooth; Hudba se zastaví a bude obnovena po ukončení telefonického hovoru.
- e. Po ukončení aktuálního propojení se zařízením Bluetooth a zahájení párování s jiným zařízením, Dlouze stiskněte tlačítko přehrávání / pozastavení na horním panelu .

Funkce bezdrátového stereo připojení Bluetooth TWS (True Wireless Stereo): Reprodukter má při přehrávání v režimu Bluetooth funkci bezdrátového stereo příjmu - TWS. Funkce je dostupná pro dva reproduktory připojené v režimu Bluetooth. Při prvním uvedení do provozu bezdrátového stereo příjmu je třeba zvolit jeden z reproduktorů jako hlavní jednotku. Dále pro spárování hlavního reproduktoru s druhým dostupným reproduktorem po delší dobu přidržet stisknuté (3 sekundy) tlačítko „mode“. Po úspěšném párování TWS se z reproduktoru ozve krátký zvukový signál. Na displeji podřízeného reproduktoru se bude trvale zobrazovat „SLAU“ a na displeji hlavního reproduktoru bude blikat komunikát „BLUE“. Poté můžete zahájit párování a obsluhu Bluetooth, a zvuk bude vycházet z obou reproduktorů současně. Pokud změníte režim přehrávání na FM / microSD / USB nebo AUX na hlavním reproduktoru, zvuk bude i nadále vycházet z obou spárovaných reproduktorů. Při prvním párování TWS mohou reproduktory vydávat krátké zvuky „sa sa sa ...“, což není chyba.

V režimu přehrávání TWS budou všechny úpravy dostupné z hlavního reproduktoru.

Některé funkce nejsou k dispozici na vedlejším reproduktoru, mějte prosím na paměti, že se nejedná o závadu. Pokud je hlavní reproduktor vypnutý, přehrávání TWS se zastaví. V případě vypnutí / zapnutí pohotovostního režimu, vypnutí / zapnutí reproduktoru, dlouhým stisknutím (3 sekundy) tlačítka režimu přehrávání znovu spárujte reproduktory v režimu TWS. Dalším dlouhým stisknutím tlačítka režimu přehrávání odpojte spárované reproduktory v režimu TWS.

Provoz v režimu AUX IN

Pro připojení a přehrávání hudby z jiného přehrávače nebo zařízení, je třeba postupovat dle těchto instrukcí:

Pomocí audio kabelu (je součástí dodávky) propojit zástrčku AUX IN na horním panelu zařízení s lineárním výstupem nebo zástrčkou pro sluchátka přehrávače, jakým je např. MP3 přehrávač, CD, DVD, mixer atp. Následně je třeba vybrat a přehrát hudbu na vnějším přehrávači, zvuk poté bude přehráván pomocí našeho zařízení.

V režimu AUX-IN provádí hlavní kontrolu přehrávání vnější přehrávač. Na našem zařízení je možno kontrolovat hlasitost, ztlumení zvuku a regulovat úroveň basů a výšek.

Karaoke

Otevřete kryt baterie bezdrátového mikrofonu (je součástí dodávky), vložte 2 kusy suchých baterií velikosti AA (nejsou součástí dodávky) do komory baterií v souladu s vygravurovaným symbolem kladného a záporného pólu a zavřete kryt baterií mikrofonu. Pro zapnutí mikrofonu nastavte přepínač do polohy „Zapnuto“. Po několika sekundách se reproduktor automaticky spáruje s bezdrátovým mikrofonem. Nastavte požadovanou úroveň výstupní hlasitosti mikrofonu na horním panelu a začněte zpívat. Zařízení je rovněž vybaveno vstupní zásuvkou pro připojení drátového mikrofonu, zasuňte zástrčku drátového mikrofonu (není součástí dodávky) do zásuvky 6,5 mm, zapněte mikrofon a můžete začít zpívat.

Rady:

- a. Nastavení hlasitosti mikrofonu / echa / výšek mikrofonu / basů mikrofonu: opakovaným stisknutím tlačítka menu přepnete nastavení výšek / basů / hlasitosti mikrofonu / echa / výšek mikrofonu / basů mikrofonu / hlasitosti kytary; potom okamžitě otočte knoflíkem hlasitosti pro nastavení příslušné úrovně; Chcete-li nastavení opustit, chvíli chvíli. (informace na displeji: TE = úroveň výšek, BS = úroveň basů, CU = hlasitost mikrofonu, EC = echo, T = výšky mikrofonu, B = basy mikrofonu, GE = kytara)
- b. Reprodukter může vydávat hlasitý hluk nebo zkreslení v okamžiku, kdy hladina hlasitosti, nastavení basů a výšek nebo funkce echa budou nastaveny na příliš vysoké úrovni. Nejde o poruchu. Je třeba snížit hladinu výše uvedených nastavení a následně mikrofon zapnout nebo vypnout.
- c. Můžete použít funkci karaoke a poslouchat hudbu současně; v případě, že potřebujete zvýšit hlasitost karaoke a chcete-li snížit hudbu na pozadí, můžete zkusit upravit samostatný knoflík hlasitosti mikrofonu a hlavní ovladač hlasitosti.
- d. Vypněte mikrofon, když jej umístíte vedle reproduktoru, jinak by způsobil obrovský hluk.
- e. Na krytu bezdrátového mikrofonu se nachází přepínač ztlumení zvuku, kterým můžete zvuk mikrofonu ztlumit.
- f. V tomto modelu je k dispozici funkce priority mikrofonu. Pokud aktivujete tuto funkci na dálkovém ovladači, bude reproduktor v prvním pořadí přehrávat zvuk z mikrofonu (hudební doprovod bude ztlumen); přehrávání hudby v pozadí se automaticky obnoví, jakmile přestanete používat mikrofon.
- g. Je možné použít bezdrátový mikrofon i kabelový mikrofon současně.

Kytarový vstup: Zařízení má možnost připojení hudebního nástroje, jako je kytara, pomocí 6,3 mm kytarového jacku na horním panelu. K tomu použijte dodatečný kabel (není součástí sady). Krátkým stisknutím tlačítka menu na horním panelu přepnete nastavení hlasitosti kytary (zobrazené informace GE platí pro kytaru); potom okamžitě otočte knoflíkem hlasitosti pro nastavení příslušné úrovně; Chcete-li nastavení opustit, chvíli počkejte . Zvuk kytary bude přehráván prostřednictvím reproduktoru. Úroveň hlasitosti kytary můžete rovněž upravit stisknutím tlačítka GT + / GT - na dálkovém ovladači.

Řešení problémů**1. Reproduktor nelze vypnout.**

a. Zkontrolujte, zda je připojení napájení provedeno správně.

2. Chybí zvuk.

a. Zkuste provést regulaci ovládacího kolečka pro hlasitost a zkontrolovat zdroj přehrávání.
b. Pokud bude problém přetrvávat, bude nutné kontaktovat servisní centrum.

3. Zkreslení zvuku.

a. Zkuste přizpůsobit a přehrát hudbu s nižší hladinou hlasitosti.
b. Ověřte stav regulace vysokých / nízkých tónů.

4. Šum při poslechu FM stanice.

a. Pro zlepšení příjmu, přeneste zařízení na jiné místo.
b. Spusťte opět skenování nebo změňte stanici na jinou.

Specifikace

Zdroj napájení: AC 110-240V, 50/60 Hz.

Napájení z baterie: 7,4V/5000mAh.

Frekvence FM: 87,5-108,0 MHz.

Konektor USB: 5V, 500mA, verze 2.0, obsluhovaná datová uložení do 32 GB.

Karta microSD: podporovaná média do 32 GB.

USB / karty microSD podporují hudební formát: MP3, WMA, WAV, FLAC (není zaručeno přehrávání všech souborů tohoto typu)

Bluetooth: V5,0, pracovní vzdálenost do 10m

Výstupní výkon RMS: 2 x 20 W.

Mikrofon: výstup 1 x 6,5 mm, připojení kabelového mikrofonu.

2 x bezdrátový mikrofon (frekvence: 208,8 MHz, 215MHz, zdroj napájení: 2 x 1,5 V, AA)

1 x kytarový vstup.

Příkon: 40 W

Příkon v pohotovostním režimu: < 0,5W.

(Tato specifikace může být změněná bez předchozího oznámení).

DŮLEŽITÉ BEZPEČNOSTNÉ POKYNY

**Upozornenie:**

Ak chcete znížiť riziko úrazu elektrickým prúdom, neodstraňujte kryt alebo zadnú časť zariadenia. Vnútri nie sú žiadne prvky určené na opravu používateľom. Údržbou a opravami zariadení sa zaoberá len kvalifikovaný servisný personál.

Vysvetlenie grafických symbolov:

Symbol blesku so šípkou umiestnený v trojuholníku upozorňuje užívateľa na prítomnosť neizolovaného "nebezpečného napätia" v priestore krytu zariadenia, ktoré môže dosiahnuť veľkosť hroziacu nebezpečenstvo úrazu elektrickým prúdom.



Výkričník vo vnútri rovnostranného trojuholníka upozorňuje užívateľa, že v tejto časti sú popísané dôležité informácie týkajúce sa prevádzky a údržby zariadení v dokumentácii dodanej so zariadením.

Pred použitím prístroja si prečítajte tento návod, aby ste sa oboznámili s jeho funkciami a využili je, ako bolo zamýšľané pre zaistenie dlhjej životnosti, bezporuchovej prevádzky zariadenia a radosti s použitia.

Dôležité informácie

- Uchovajte tento návod a bezpečnostné informácie pre ich použitie v budúcnosti.
- Nedovoľte, aby na prístroj kvapkala alebo sa lila tekutina.
- Nepoužívajte vo vlhkých miestach, ako napr kúpeľne.
- Neumiestňujte tento prístroj na nasledujúcich miestach:
- Vystavených priamemu slnečnému žiareniu alebo blízko radiátorov.
- Na iné stereofónne zariadenie, ktoré generujú teplo.
- Blokovať vetranie alebo umiestňovať v prašnom prostredí.
- V priestoroch vystavených otrasom.
- V priestoroch s vysokou vlhkosťou.
- Neumiestňujte zariadenie v blízkosti otvoreného ohňa alebo sviečky.
- Zariadenie je možné použiť iba tak, ako je popísané v tomto návode.
- Pred prvým zapnutím sa uistite, že napájanie bolo správne pripojené.
- USB pamäť sa pripája priamo alebo cez predlžovací USB kábel s dĺžkou do 25 cm.

Z bezpečnostných dôvodov neodstraňujte kryty a nesnažte sa dostať dovnútra zariadenia. Prístroj by mal byť opravovaný iba kvalifikovaným servisným personálom. Nerozoberajte zariadenie ani neotvárajte kryt, pretože vo vnútri nie sú žiadne diely, ktoré môžu byť opravené vlastnými silami. Údržbou a opravami zariadení sa zaoberá výhradne kvalifikovaný servisný personál.

BEZPEČNOSTNÉ POKYNY

1. Prečítajte si pokyny - pred použitím zariadenia si prečítajte celý návod a bezpečnostné informácie.
2. Tieto pokyny uschovajte - uschovajte návod na použitie pre použitie v budúcnosti.
3. Dodržiavajte varovanie - dodržujte všetky varovania umiestnené na zariadení a v súlade s pokynmi.
4. Dodržiavajte pokyny - postupujte podľa pokynov a návodu pre užívateľa.
5. Inštalácia - nastavte zariadenie podľa pokynov výrobcu.
6. Napájacie zdroje - tento produkt by mal byť napájaný iba zo zdrojov uvedených na označenie na napájacom kábli. Ak si nie ste istí, aký typ napájania máte doma, mali by ste sa obrátiť na svojho predajcu alebo miestneho dodávateľa elektrickej energie.
7. Uzemnenie alebo polarizácia napájania - zariadenie nemusí byť uzemnené. Uistite sa, že je zástrčka úplne zasunutá do zásuvky v stene alebo do predlžovacieho kábla, aby sa zabránilo odhaleniu kolíkov a kontaktov. Niektoré verzie zariadenia môžu byť vybavené polarizovanou zástrčkou AC (s kolíkom). Túto zástrčku je možné zasunúť do sieťovej zásuvky iba jedným spôsobom. Toto je bezpečnostná funkcia. Ak nie je možné vložiť zástrčku do zásuvky, skúste ju otočiť. Ak zástrčka stále nepasuje do zásuvky, požiadajte elektrikára, aby ju vymenil. Neodstraňujte zabezpečenia polarizovanej zástrčky. Ak používate predlžovací kábel alebo kábel iný ako dodávaný s zariadením, mal / a by ste mať zodpovedajúce zástrčky a bezpečnostné osvedčenie požadované vo vašej krajine.
8. Zaistenie napájacieho kábla - napájacie káble by mali byť vedené tak, aby nikto po po nich nešliapal, nestiskal a aby nedošlo k odrezanie časti zariadenia predmetami umiestnenými vedľa. Venujte zvláštnu pozornosť zástrčkám, zásuvkám a miestam vyznačujúcim sa tým, že káble sú vyvedené von zo zariadenia.
9. Preťaženie - nepreťažujte zásuvky, predlžovacie šnúry a elektrické rozvádzače, môže to mať za následok poruchu alebo úraz elektrickým prúdom.
10. Vetranie - Prístroj musí byť riadne vetranie. Nekladte výrobok na posteľ, pohovku, alebo podobný povrch. Nezakrývajte zariadenie obrusy obrúsky, novinami, atď
11. Teplo - Neumiestňujte zariadenie blízko zdrojov tepla ako sú radiátory, kachle alebo iné prístroje (vrátane zosilňovačov), ktoré produkujú teplo. Nekladte na zariadenie zapálené sviečky a iné otvorené zdroje ohňa.
12. Voda a vlhkosť - aby sa znížilo riziko poruchy alebo úrazu elektrickým prúdom, nevystavujte prístroj pôsobeniu dažďa, vody a vlhkosti, ako napríklad v saune, alebo v kúpeľni. Nepoužívajte toto zariadenie v blízkosti vody, napríklad pri vani, umývadle, kuchynského drezu alebo vane, vo vlhkej pivnici alebo v blízkosti bazéna (alebo na podobných miestach).
13. Objekty a kvapaliny v zariadení - Nevkladajte objekty cez otvory, pretože môžu prísť do styku s bodmi nebezpečného napätia a komponenty, ktoré môžu spôsobiť poruchu alebo úraz elektrickým prúdom. Tekutiny by za žiadnych okolností nemali vniknúť na povrch prístroja. Nekladte žiadne predmety obsahujúce kvapaliny na hornú časť zariadenia.

14. Čistenie - pred čistením vždy odpojte prístroj od elektrickej zásuvky. Prach okolo reproduktora možno odstrániť len suchou handričkou. Ak je potrebné použiť čistiaci sprej, nesmerujte postrek nie priamo na prístroj, ale na handričku. Dávajte pozor, aby nedošlo k poškodeniu pohonnej jednotky
15. Prídavné zariadenia - nepoužívajte príslušenstvo, ktoré nie sú schválené výrobcom, pretože môžu predstavovať hrozbu.
16. Príslušenstvo - neumiestňujte prístroj na nestabilný vozík, stojan, statív, držiak alebo stôl. Prístroj môže spadnúť, poškodiť sa a spôsobiť vážne zranenie deťom alebo dospelým. Použitie iba s vozikom, stojanom, trojnožkou, držiakom alebo stolom, stanoveným výrobcovia alebo predávajúci sa so zariadením. Inštalácia zariadenia by mala byť vykonaná v súlade s pokynmi výrobcu, za použitia montážnych sád odporúčaných výrobcom.
17. Sťahovanie zariadenia - zariadenie umiestnené na vozíku pohybovať veľmi starostlivo. Rýchle zastavenie, použitie nadmernej sily a nerovné povrchy môžu spôsobiť prevrátenie vozíka so zariadením.
18. Obdobie mimo prevádzky - napájací šnúra musí byť odpojená od zásuvky počas búrky alebo keď prístroj nie je používaný po dlhú dobu.
19. Servis - Nepokúšajte sa o vlastnoručný prehľadky zariadení. Otvorené krytu môže spôsobiť nebezpečné napätie a vystaviť užívateľa na nebezpečenstvo. Údržbou a opravami zariadení sa zaoberá výhradne kvalifikovaný servisný personál.
20. Ak nepoužívate zariadenie, odpojte napájací kábel od zásuvky v stene. Ak je zariadenie pripojené k zdroju napájania, je v pohotovostnom režime a nie je úplne vylúčené.
21. Náhradné diely - pri výmene dielov, skontrolujte, či zamestnanec servisu použil náhradné diely špecifikované výrobcom, alebo diely rovnaké ako pôvodné. Výmena za neschválené diely hrozi poruchou, úrazom elektrickým prúdom alebo iným nebezpečenstvom.
22. Hlavné poistky - pre kontinuálne zabezpečení zariadenia pred ohňom, použite poistky správneho typu a parametrov. Parametre poistky v rozsahu napätia sú vyznačené na prístroji.
23. Nezvyšujte hlasitosť pri počúvaní skladby malej hlasitosti alebo v neprítomnosti vstupného zvukového signálu. V opačnom prípade môže dôjsť k poškodeniu reproduktora pri rýchlom zvýšení sily signálu.
24. Jediným spôsobom odpojenia zariadenia od zdroja elektrickej energie je odpojenie napájacieho kábla od elektrickej zásuvky alebo od zariadenia. Zásuvka alebo vstupný napájací kábel k zariadeniu musí byť vždy k dispozícii pri používaní výrobku.
25. Zariadenie by malo byť inštalované v blízkosti elektrickej zásuvky alebo predlžovačky a to takým spôsobom, aby bolo vždy k dispozícii.
26. Maximálna okolitá teplota zariadenia je 35 ° C
27. Pokyny týkajúce sa elektrostatických výbojov - v prípade, že činnosť zariadenia je narušená elektrostatickými výbojmi, vypnite ho a opätovne zapnete alebo premiestnite prístroj do iného miesta.
28. Batérie
 - A. Batérie nesmú byť vystavené nadmernému teplu, ako je slnečné žiarenie, oheň atď
 - B. Pri likvidácii batérie, venujte pozornosť environmentálnym aspektom.
 - C. Upozornenia týkajúce sa používania batérií: aby sa zabránilo úniku batérie, čo môže mať za následok zranenie alebo poškodenie zariadenia:
 1. Pri vkladaní batérií dbajte na správnu polaritu (+ a -).
 2. Nepoužívajte rôzne batérie naraz - staré a nové batérie, štandardné a alkalické atď
 3. Vyberte batérie z prístroja, keď nie je používaný po dlhšiu dobu

Poznámka o ERP2 (zariadenia súvisiace so spotrebou energie)

Toto zariadenie s ekodizajnom je v súlade s požiadavkami časti 2 nariadenia Komisie (ES) 1275/2008 k smernici 2009/125/ES o spotrebe energie ktorým sa vykonáva smernica Európskeho parlamentu a Rady 2005/32/ES, pokiaľ ide o požiadavky na ekodizajn z hľadiska potreby elektrickej energie elektrických a elektronických zariadení v domácnosti a kancelárii v pohotovostnom režime a vo vypnutom stave. Po uplynutí 15 minút bez vstupného audio signálu zariadenie sa automaticky prepne do pohotovostného režimu. Informácie o obnovení normálnej prevádzky možno nájsť v príručke.

Dôležité informácie:

Tento prístroj je vybavený režimom pre úsporu energie: ak v rámci 30 minút nebude automaticky podaný žiadny vstupný signál, prístroj prejde do pohotovostného režimu, aby šetril energiu (ERP štandard 2). Je potrebné poznamenať, že nízke nastavenie hlasitosti v zdroji audio signálu môže byť rozpoznané ako stav "bez zvuku", čo môže ovplyvniť vašu schopnosť detekovania signálu zo zariadenia a spôsobiť automaticky posun do pohotovostného režimu. V tomto prípade, obnovte prenos zvuku a zvýšte hlasitosť zdroja zvuku (MP3 prehrávač atď), pre obnovenie prehrávania. Ak problém pretrváva, obráťte sa na miestne servisné stredisko.

VAROVANIE

Prístroj by nemal byť používaný osobami (vrátane detí) s fyzickým, zmyslovým alebo mentálnym postihnutím a osobami s nedostatočnými znalosťami a skúsenosťami, pokiaľ nie sú pod dohľadom osoby zodpovednej za ich bezpečnosť a neboli poučení, ako bezpečne používať zariadenie. Prítomnosť dospelých je nutná v prípade, že zariadenie obsluhujú deti; to umožní zabezpečenie bezpečnej prevádzky zariadenia.

1. Nikdy nenechávajte zariadenie bežať bez dozoru! Vypnite zariadenie, ak ho nepoužívate, a to aj na krátku dobu.
2. Nepoužívajte prístroj cez externý časovač alebo samostatný systém diaľkového ovládania.
3. Aby sa zabránilo nebezpečenstvu, v prípade poškodenia napájacieho kábla výmenu by mal robiť výrobca, autorizovaný poskytovateľ služieb alebo iná osoba, majúca príslušné kvalifikácie.
4. Pred použitím zariadenia skontrolujte, či napätie zodpovedá napätiu vyskytujúcemu sa v miestnej sieti.
5. Nezakrývajte vetracie otvory novinami, obrusmi, záclonami, atď Uistite sa, že nad prístrojom je aspoň 20 cm voľného priestoru, az každej strany - najmenej 5 cm.
6. Nedovoľte, aby na prístroj kvapkali alebo sa na lily tekutiny a nekladte naň predmety naplnené kvapalinami, ako napríklad vázy.

7. Aby nedošlo k poruche alebo k úrazu elektrickým prúdom, nevystavujte zariadenie na horúčavy miesta, na dážď, vlhkosť a prach.
8. Nepokladajte zariadenie do blízkosti zdrojov vody, ako sú kohútiky, vane, práčky alebo bazény. Umiestnite zariadenie na rovný stabilný povrch.
9. Nevystavujte silnému magnetickému poľu.
10. Nekladte zariadenie priamo na zosilňovači alebo prijímači.
11. Nekladte prístroj na vlhka miesta, pretože vlhkosť poškodzuje elektrické súčasti.
12. Prenos zariadení z chladného do teplejšieho prostredia alebo do vlhkejšieho priestoru môže viesť ku kondenzácii vlhkosti na šošovke vo vnútri prehrávača. V takejto situácii, prístroj nebude pracovať správne. Nechajte súčasťou v prístroji po dobu jednej hodiny pre odparovanie vlhkosti.
13. Nečistite zariadenie chemickými rozpúšťadlami, pretože môžu zničiť lak skrinky. Prístroj sa čistí čistým suchým alebo mierne vlhkou handričkou.
14. Pri od pájaní zo zásuvky vždy ťahajte za zástrčku, nie za kábel.
15. Keď sa zapnutý prístroj používa v blízkosti zapnutého televízora, môže byť zdrojom narušenia obrazu v podobe čiar na obrazovke. Kvalita obrazu závisí na vlnovom pásme TV vysielania. Tento jav neznamená poruchu zariadenia alebo televízora. Vidíte-li tieto čiary, umiestnite prístroj do väčšej vzdialenosti od televízora.
16. Sietová zástrčka sa používa na odpojenie napájania a mala by byť vždy k dispozícii.
17. Ak chcete zabrániť novej strate sluchu, nepočúvajte hudbu dlhšiu dobu nahlas.



POZNÁMKA



Prehlásenie o zhode

Blaupunkt Competence Center 2N-Everpol Sp. z o.o. týmto prehlasuje, že je toto zariadenie v súlade so základnými požiadavkami a ďalšími príslušnými ustanoveniami smernice 2014/53 / EU. Prehlásenie o zhode je možné získať zo stránky produktu na www.blaupunkt.com. Zodpovedná strana: 2N-Everpol Sp. z o.o., Puławska 403A, 02-801 Varšava, Poľsko, Tel: +48 22 688 08 00, E-mail: info@everpol.pl



Naše produkty sú navrhnuté a vyrobené z vysoko kvalitných materiálov a komponentov, ktoré sú recyklovateľné a znovu použiteľné.



Ak sa na vašom zariadení nachádza symbol prečiarknutého odpadkového koša s kolieskami, znamená to, že sa na produkt vzťahujú ustanovenia európskej smernice 2012/19/EÚ. Na základe toho sa prosím riadte miestnymi predpismi a oboznámte sa s požiadavkami na miestny systém zberu elektrického a elektronického odpadu a v prípade tohto produktu ich dodržte.

NEVYHADZUJTE TENTO VÝROBOK S DOMÁCIMI ODPADMI!

TENTO VÝROBOK OBSAHUJE NEBEZPEČNÉ LÁTKY, ZMESI A KOMPONENTY, KTORÉ V PRÍPADE BEZ AUTORIZÁCIE MÔŽU BYŤ ZDROJOM POTENCIÁLNYCH VPLYVOV NA PRÍRODNÉ PROSTREDIE A ĽUDSKÉ ZDRAVIE!

Správna likvidácia použitého výrobku zabráni negatívnym vplyvom na životné prostredie a ľudské zdravie.



Výrobok obsahuje batérie, ktoré smernicu 2006/66 / EC nemožno vyhadzovať do bežného domového odpadu. Informujte sa prosím o miestnych pravidlách separovaného zberu batérií, pretože správnu likvidáciu pomôžete predchádzať negatívnym dôsledkom pre životné prostredie a ľudské zdravie.

INFORMÁCIE TÝKAJÚCE SA ŽIVOTNÉHO PROSTREDIA

Výrobok je zabalený len v nevyhnutnom obale pre jeho ochranu. Snahou našej firmy je, aby bol obalový materiál ľahko rozdeľiteľný na tri materiály: kartón (krabica), polystyrénová pena (vypodloženie) a polyetylén (vrecká, ochranná penová pokrývka). Výrobok sa skladá z materiálov, ktoré je možné recyklovať a znovu použiť v prípade demontáže odbornou firmou. Dodržujte prosím miestne predpisy týkajúce sa likvidácie obalových materiálov, vybitých batérií a starého zariadenia.

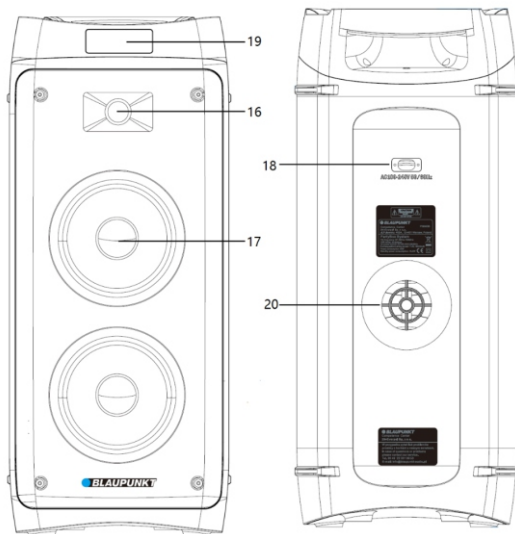
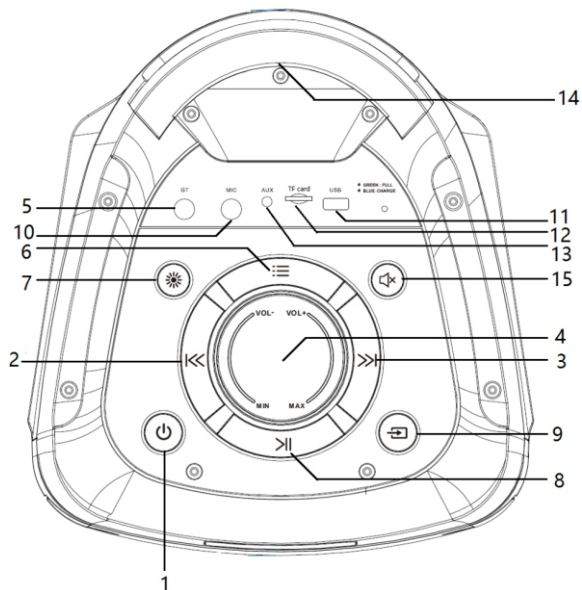
Na nahrávanie a prehrávanie materiálov môže byť vyžadovaný súhlas. Pozri Zákon o copyrightu Act 1956 a Zákon na ochranu umelcov Sk 1958-1972.



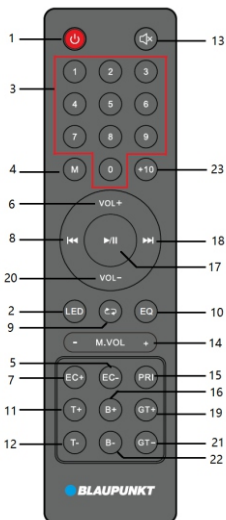
Známka a logo Bluetooth® sú registrované obchodné známky spoločnosti Bluetooth SIG, Inc. a jej použitie je zaťažené licenciou. Ostatné obchodné známky a mená sú vlastnené ich vlastníkmi.

Ďakujeme, že ste si kúpili toto zariadenie. Predtým, než ho začnete používať, dôkladne sa oboznámte s touto príručkou. Príručku uchovajte pre prípadnú potrebu v budúcnosti.

Ovládací panel



- | | | | |
|--|---------------------------------|------------------------------|--------------------------|
| 1-Prepínač zapnúť/vypnúť; | 2,3-Predchádzajúce/Nasledujúce; | 4-Ovládanie hlasitosti; | 5-Gitarový vstup; |
| 6-Stláčaním tlačidla menu prepnete nastavenia vysoké/nízke/hlasitosť mikrofónu/ozvena mikrofónu/vysoké mikrofónu/nízke mikrofónu/hlasitosť gitary. | 7-Disko osvetlenie; | 8-Prehrávanie/pauza; | 9-Tlačidlo voľby zdroja; |
| 10-Vstupný port káblového mikrofónu; | 11-USB port; | 12-Port microSD; | 13-Vstup AUX IN; |
| 14-Rúčka; | 15-Tlačidlo priority mikrofónu; | 16-Vysokotónový reproduktor; | |
| 17-Stredo-nízkotónový reproduktor; | 18-Zásuvka kábla AC napájania; | 19-Displej; | |
| 20-Bass-Reflex port; | | | |



Diaľkový ovládač

- 1 - Tlačidlo napájania;
- 2 - Tlačidlo zapnúť/vypnúť disko osvetlenie;
- 3 - Numerické tlačidlá;
- 4 - Tlačidlo zapínania/vypínania funkcie náhodného prehrávania;
- 5, 7 - Tlačidlá nastavenia Echo +/-;
- 6, 20 - Tlačidlá nastavenia hlasitosti +/-;
- 8, 18 - Predchádzajúci a nasledujúci, kanál - / +;
- 9 - Tlačidlo funkcie opakovania (opakovanie jednej skladby/opakovanie všetkého/náhodné prehrávanie);
- 10 - Ekvalizér EQ (plochy/POP/Rock/Džez/Klasika)
- 11, 12 - Tlačidlá nastavenia vysokých tónov +/-;
- 13 - Tlačidlo stlmenia;
- 14 - Tlačidlá nastavenia hlasitosti mikrofónu +/-;
- 15 - Tlačidlo priority mikrofónu;
- 16, 22 - Tlačidlá nastavenia nízkych tónov +/-;
- 17 - Prehrávanie/pauza;
- 19, 21 - Tlačidlá nastavenia hlasitosti gitarového vstupu GT +/-;
- 23 - Tlačidlo +10;

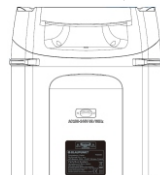
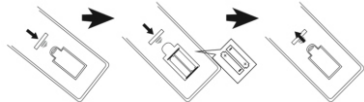
Pripojenie napájania: Skontrolujte, či parametre el. obvodu, ku ktorému chcete zariadenie pripojiť, sa zhodujú s parametrami uvedenými na výrobnom štítku, ktorý sa nachádza na zadnej strane zariadenia. Ak sa nezhodujú, kontaktujte predajcu alebo autorizovaný servis. Samičiu koncovku napájacieho kábla zastrčte do zariadenia, a následne zástrčku napájacieho kábla zastrčte do el. zásuvky. Takým spôsobom pripojíte zariadenie k el.

Nabíjanie akumulátora: integrovaný akumulátor umožňuje prehrávať hudbu aj bez pripojenia k el. Keď sa akumulátor nabíja, kontrolka nabíjania, kontrolka nabíjania, ktorá je umiestnená na hornom paneli, bude svietiť načerveno. Po úplnom nabití kontrolka svieti nazeleno. Akumulátor sa nabíja aj po vypnutí zariadenia, avšak zariadenie musí byť pripojené k el. napätiu. Akumulátor sa úplne nabije za cca 4 hodín, čo poskytne približne 3 ~ 5 hodiny prehrávania, závisí to predovšetkým od použitej hlasitosti. Zariadenie sa automaticky vypne, ak sa akumulátor vybijie, v takom prípade ho pred ďalším prehrávaním nabite.

Pozor: V pohotovostnom režime (krátke stlačenie tlačidla napájania na hornom paneli alebo pomocou diaľkového ovládača) sa zariadenie začne automaticky nabíjať po 15 minútach vzhľadom na požiadavky na ekodizajnu. V prípade naliehavého nabíjania, stlačte a podržte tlačidlo napájania (vypnite zariadenie). Zariadenie sa počas prehrávania môže nabíjať nepretržite.

Používanie akumulátora:

1. Keď je akumulátor vybitý alebo je takmer vybitý, čo najrýchlejšie ho nabite. Ak sa akumulátor dlhší čas nabíja, jeho kapacita sa zníži, v dôsledku toho už nebude možné akumulátor nabiť na menovitú kapacitu a skráti sa výdrž zariadenia.
2. Keď potrebujete vymeniť akumulátor, obráťte sa na miestny servis Blaupunkt.
3. Akumulátor nikdy nenabíjajte dlhšie ako 24 hodín. Nadmerné vybitie alebo prílišné nabitie skracuje životnosť akumulátora. Mnohonásobné nabíjanie a vybijanie ovplyvňuje životnosť akumulátora a výdrž pri prehrávaní. Nemôžeme zaručiť rovnakú výdrž pri prehrávaní počas celej životnosti akumulátora. Meniaci sa výdrž akumulátora nemôže byť predmetom reklamácie.



Vloženie batérií do diaľkového ovládača

Otvorte zadné veko komory batérií a vložte 2 batérie typu AAA (v súprave); Uistite sa, či sú batérie vložené správnym smerom, podľa pictogramov, ktoré sú v komore. Následne zatvorte veko komory batérií.

Poznámky:

- a. Pilot má najlepši dosah do 5 metrov, bez žiadnych prekážok. Keď používate diaľkový ovládač, snímačom smerujte na prednú časť zariadenia.
- b. Citlivosť diaľkového ovládača sa bude s vybijaním batérií znižovať. Vybité batérie vymeňte na nové/nabité.
- c. Ak zariadenie nebudete dlhší čas používať, vyberte z neho batérie.
- d. Batérie likvidujte šetrne k životnému prostrediu. Oboznámte sa a postupujte podľa miestnych predpisov.

Všeobecná obsluha

- 1. Zapínanie/vypínanie:** Dlhým stlačením (na 2 sekundy) tlačidla napájania na hornom paneli môžete zariadenie zapnúť/vypnúť. Krátkym stlačením tlačidla napájania na hornom paneli alebo pomocou diaľkového ovládača, môžete zariadenie prepnúť do pohotovostného režimu, Ak zariadenie nebudete dlhší čas používať, odporúčame, aby ste ho úplne vypli.
- 2. Voľba zdroja prehrávania:** alebo tlačidlo režimu prehrávania na diaľkovom ovládači môžete prepnúť zdroj prehrávania, tzn. FM / Bluetooth / Line in / USB / microSD, stlačte tlačidlo zdroja prehrávania na hlavnom paneli.
- 3. Nastavenie hlasitosti:** Keď chcete zväčšiť alebo zmenšiť úroveň hlasitosti, otáčajte ovládacím kolieskom hlasitosti na hlavnom paneli, alebo stláčajte tlačidlo VOL +/- na diaľkovom ovládači.
- 4. Nastavenie vysokých a nízkych tónov:** najprv krátko stlačte tlačidlo menu na hornom paneli, ktoré je na hornom paneli, a nastavte úroveň vysokých tónov. Na displeji sa zobrazí príslušné číslo informujúce o úrovni vysokých tónov. Opätovným stlačením tlačidla nastavenia vysokých/nízkych tónov prejdete na nastavenie basov. Rovnaké nastavenie môžete urobiť stlačením tlačidla vysokých tónov +/- na diaľkovom ovládači.
- 5. Stlmenie zvuku:** Keď chcete stlmiť zvuk, stlačte tlačidlo MUTE na hornom paneli alebo diaľkovom ovládači; Keď chcete zvuk opäť zapnúť (na úrovni pred stlmením), opäť stlačte toto tlačidlo.
- 6. Ekvalizér EQ:** stláčaním tlačidla EQ na diaľkovom ovládači sa prepínajú režimy ekvalizéra, dostupné sú nasledovné nastavenia: FLAT/POP/ROCK/JAZZ/CLASSIC.
- 7. Prehrávanie/pauza:** Keď chcete spustiť alebo obnoviť prehrávanie hudby v režime Bluetooth / USB/microSD, stlačte tlačidlo prehrávanie/pauza.
- 8. Opakovanie a náhodné prehrávanie:** Stlačením tlačidla opakovania nastavíte spôsob opakovaneého prehrávania, tzn. opakované prehrávanie jednej skladby/všetkých skladieb/náhodné prehrávanie.
- 9. Osvetlenie:** Keď chcete prepnúť typ osvetlenia (medzi dostupnými ôsmimi efektami), alebo chcete osvetlenie vypnúť, stláčajte tlačidlo osvetlenia.
- 10. Numerické tlačidlá a tlačidlo +10:** v režime prehrávania USB/microSD stlačením číselných tlačidiel môžete vybrať konkrétnu skladbu; alebo v FM režime prepnete priamo na uložení rozhlasovú stanicu. Stlačením tlačidla +10 rýchlo vyberte stopu o 10 miest ďalej.
- 11. Predchádzajúce/Nasledujúce:** krátkym stlačením daného tlačidla prepnete na predchádzajúcu alebo nasledujúcu stopu (skladbu) pri prehrávaní Bluetooth / USB/microSD.
- 12. Používanie tlačidla menu:** je to multifunkčné tlačidlo, stláčaním tohto tlačidla môžete nastaviť vysoké/nízke/hlasitosť mikrofónu/ozvena mikrofónu/vysoké mikrofónu/nízke mikrofónu/hlasitosť gitary; potom okamžite otáčaním kolieska hlasitosti nastavte požadovanú úroveň; Počkajte chvíľu, režim daného nastavenia sa vypne. (Informácie na displeji: TE= úroveň vysokých tónov, BS= úroveň nízkych tónov, CU= hlasitosť mikrofónu, EC= ozvena, T= úroveň vysokých tónov mikrofónu, B= úroveň nízkych tónov mikrofónu, GE= gitara)

Používanie FM rádia

Predtým, než začnete počúvať FM rádio, zariadenie presuňte bližšie k oknu, tzn. na miesto so silnejším rádiovým signálom. Zariadenie má integrovanú vnútornú anténu pre príjem FM vln.

- 1. Automatické vyhľadávanie a programovanie rozhlasových staníc (automatický režim):** Krátkym stlačením tlačidla prehrávania/pauzy na hornom paneli alebo na diaľkovom ovládači spustíte automatické vyhľadávanie rozhlasových staníc a môžete ich uložiť. Keď sa skončí vyhľadávanie, zariadenie sa automaticky nastaví na prvú uloženú rozhlasovú stanicu. (Maximálny počet uložených rozhlasových staníc: 40)
- 2. Voľba rozhlasovej stanice:** Keď chcete vybrať a začať prehrávať predchádzajúcu alebo nasledujúcu uloženú rozhlasovú stanicu, v režime rádia stlačte tlačidlo nasledujúce/predchádzajúce na hlavnom paneli alebo na diaľkovom ovládači. Môžete tiež rýchlo vybrať uloženú rozhlasovú stanicu, stačí vybrať jej číslo numerickými tlačidlami na diaľkovom ovládači.
- 3. Ručné ladenie:** stlačením a podržaním na 2 sekundy tlačidla predchádzajúce / nasledujúce spustí sa automatické vyhľadávanie (ladenie) rozhlasových staníc, príslušne hore alebo dole (s vyššou alebo nižšou frekvenciou), prvá nájdená stanica sa automaticky spustí. Numerickými tlačidlami na diaľkovom ovládači zadajte frekvenciu rozhlasovej stanice, chvíľku počkajte, zariadenie nastaví a spustí prehrávanie danú rozhlasovú stanicu.

Prehrávanie USB/microSD

Zariadenie má funkciu prehrávania USB/microSD, ktorá umožňuje dekodovať a prehrávať súbory uložené na USB/microSD kľúčoch. Predtým, než začnete prehrávať súbory, najprv ich skopírujte (vo formáte MP3/WMA) na USB/microSD kľúč; Následne USB/microSD kľúč vložte do zariadenia, pretože režim prehrávania USB/microSD je dostupný iba vtedy, keď je USB/microSD kľúč správne pripojený (funkčný). Zariadenie následne automaticky vyhľadá a začne prehrávať súbory MP3/WMA.

Voľba súboru: Keď chcete vybrať predchádzajúci alebo nasledujúci súbor (skladbu), krátko stlačte tlačidlo predchádzajúce/nasledujúce; Keď chcete aktuálne prehrávanú skladbu presunúť dopredu, stlačte a podržte tlačidlo previjania; keď chcete opäť spustiť prehrávanie, pustite tlačidlo.

V režime USB/microSD sú dostupné nasledujúce funkcie: prehrávanie / pauza, stlmenie, opakovanie, ekvalizér, nastavenie vysokých a nízkych tónov/+10 ap. Podrobnosti sú uvedené v bode „Všeobecná obsluha“ v tejto príručke.

Poznámky:

- Neodporúčame USB kľúče pripájať prostredníctvom predlžovacích USB káblov, pretože to môže mať negatívny vplyv na kvalitu prehrávania a spôsobovať šum, alebo prerušovanie prehrávania následkom straty dát počas ich zasielania z USB kľúča do zariadenia.
- Nemôžeme zaručiť, že zariadenie dokáže dekodovať a prehrať všetky súbory v MP3/WMA/WAV/FLAC formáte.
- Zariadenie podporuje USB/microSD kľúče s maximálnou kapacitou 32 GB.
- V prípade niektorých USB/microSD kľúčov, niektorých modelov od niektorých výrobcov, spustenie automatického prehrávania môže trvať dlhšie; Pripomíname, že to nie je chyba/porucha.

Používanie Bluetooth

Tento výrobok má funkciu Bluetooth, ktorá umožňuje bezdrôtovo prehrávať súbory z iného zariadenia pripojeného prostredníctvom Bluetooth (ako napr. chytrý telefón, tablet ap.).

1. Keď chcete aktivovať režim Bluetooth, niekoľkokrát tlačidla voľby zdroja, a symbol Bluetooth bude na displeji blikať, čo znamená, že zariadenie je pripravené na párovanie.
2. V externom zariadení aktivujte funkciu Bluetooth a vyhľadajte dostupné zariadenia (postupujte podľa pokynov uvedených v príručke daného zariadenia), a následne prejdite na zoznam dostupných zariadení Bluetooth. Vyberte zariadenie "BP PB06DB", a symbol Bluetooth bude po úspešnom spárovaní stále svietiť.
3. Na externom zariadení, pripojenom prostredníctvom Bluetooth, spustíte prehrávanie, zvuk sa následne začne prehrávať na reproduktorech zariadenia.
4. Keď chcete počas prehrávania vybrať predchádzajúci alebo nasledujúci súbor, stlačte tlačidlo predchádzajúce/nasledujúce.
5. V režime Bluetooth sú dostupné nasledujúce funkcie: prehrávanie/pauza, stlmenie, ekvalizér, nastavenie vysokých a nízkych tónov. Podrobnosti sú uvedené v bode „Všeobecná obsluha“ v tejto príručke.

Poznámky:

- a. Nedá sa zaručiť, že sa zariadenie bude dať spárovať so všetkými zariadeniami Bluetooth, vzhľadom na rôzne konštrukcie (štandardy) rôznych výrobcov.
- b. Dosah Bluetooth je cca 10 metrov (bez prekážok medzi zariadeniami)
- c. Zariadenie môže byť v jednej chvíli spárované iba s jedným zariadením Bluetooth.
- d. Keď počas prehrávania prostredníctvom Bluetooth prijmete prichádzajúci hovor; Prehrávanie sa na chvíľu zastaví a obnoví sa po skončení hovoru;
- e. Keď chcete zariadenie spárovať s iným zariadením, Dlhým stlačením tlačidla prehrávania/pauzy na hornom paneli.

Funkcia bezdrôtového stereu Bluetooth TWS (True Wireless Stereo): Reproduktor má počas prehrávania Bluetooth možnosť použiť funkciu bezdrôtového stereu TWS. Funkcia sa dá použiť vtedy, keď sú dva reproduktory prepojené v režime Bluetooth. Pri prvom spustení funkcie bezdrôtového stereu musíte jeden z dvoch reproduktorov vybrať ako hlavnú jednotku. Následne stlačte a podržte (3 sekundy) tlačidlo „mode“ na hornom paneli, čím sa hlavný reproduktor spája s druhým dostupným reproduktorom. Keď sa TWS úspešne spája, z reproduktora zaznie krátky zvuk. Na displeji sekundárneho reproduktora sa bude nepretržite zobrazovať „SLAU“, a na displeji primárneho reproduktora bude blikať „BLUE“. Potom môžete spustiť spárovanie a používanie Bluetooth, a zvuk sa bude prehrávať súčasne z oboch reproduktorov. Keď zmeníte režim prehrávania na FM/microSD/USB alebo AUX na primárnom reproduktore, zvuk sa bude naďalej prehrávať oboma spárovanými reproduktormi. Pri prvom spárovaní TWS môžu z reproduktora zaznieť krátke zvuky „sa sa sa...“, čo nie je porucha. V režime prehrávania TWS všetky nastavenia sa vykonávajú prostredníctvom primárneho reproduktora. Niektoré funkcie nie sú k dispozícii v sekundárnom reproduktore, upozorňujeme, že to nie je porucha. Keď vypnete hlavný reproduktor, prehrávanie TWS sa zastaví. Keď aktivujete/deaktivujete režim spánku, pri vypínaní/zapínaní reproduktora, stlačte a na 3 sekundy podržte tlačidlo režimu prehrávania, reproduktory sa opäť spájajú v režime TWS. Opätovným stlačením a podržaním tlačidla režimu prehrávania sa reproduktory spárované v režime TWS odpoja.

Používanie AUX IN

Keď chcete pripojiť a prehrávať skladby z iného prehrávača alebo zariadenia, postupujte podľa nasledujúcich pokynov: Použite audio kábel, (v súprave) zastrčte ho do zdierky AUX IN na hornom paneli zariadenia, a spojte ho s priamym výstupom alebo zdierkou slúchadiel prehrávača, ako napr. MP3 prehrávača, CD, DVD, mixážneho pultu ap. Následne na externom prehrávači vyberte súbor a spustíte prehrávanie, zvuk zaznie na tomto zariadení. V režime AUX-IN prehrávanie sa kontroluje predovšetkým vonkajším prehrávačom. Toto zariadenie umožňuje nastavovať (kontrolovať) hlasitosť, stlmenie zvuku, ako aj úroveň nízkych a vysokých tónov.

Karaoke

Otvorte veko komory batérií bezdrôtového mikrofónu (v súprave), vložte 2 ks batérií typu AA (nie sú v súprave), zachovajte polarizáciu podľa uvedených symbolov, a následne zatvorte veko komory batérií. Mikrofón zapnete prepnutím prepínača na zapnutú polohu. Po niekoľkých sekundách sa reproduktor automaticky spája s bezdrôtovým mikrofónom. Na hornom paneli nastavte vhodnú úroveň výstupnej hlasitosti mikrofónu, a následne môžete začať spievať. Zariadenie má tiež vstupnú zdierku pre káblové mikrofóny. Jack káblového mikrofónu (nie je v súprave) zastrčte do 6,5 mm zdierky, a následne, keď chcete začať spievať, zapnite mikrofón.

Tipy:

- a. Nastavenie hlasitosti mikrofónu/ozveny/vysokých tónov mikrofónu/nízkych tónov mikrofónu: stlačením tlačidla menu prepnete na vysoké/nízke/hlasitosť mikrofónu/ozvena mikrofónu/vysoké mikrofónu/nízke mikrofónu/hlasitosť gitary; potom okamžite otáčaním kolieska hlasitosti nastavte požadovanú úroveň; Počkajte chvíľu, režim daného nastavenia sa vypne. (Informácie na displeji: TE= úroveň vysokých tónov, BS= úroveň nízkych tónov, CU= hlasitosť mikrofónu, EC= ozvena, T= úroveň vysokých tónov mikrofónu, B= úroveň nízkych tónov mikrofónu, GE= gitara) There may have a big noise come out from speaker when you adjust volume/treble/bass/echo to high level due to overloading and distortion on microphone. This is not malfunction. So please turn and increase these settings slowly, and turn it back or turn off microphone for retrying in case of such big noise faced.
- b. Reproduktor môže vydávať hlasný alebo deformovaný zvuk, ak sú úroveň hlasitosti, nastavenie vysokých a nízkych tónov, alebo funkcia echa, nastavené na príliš vysokých úrovniach. Nie je to porucha. Zmeníte úroveň vyššie spomenutých nastavení a následne vypnete a zapnete mikrofón.
- c. Môžete použiť funkciu karaoke a súčasne počúvať hudbu; v prípade, že potrebujete zvýšiť objem karaoke a ak chcete znížiť hudbu na pozadí, môžete skúsiť upraviť samostatný gombík mikrofónu a hlavný gombík hlasitosti.
- d. Vypnite mikrofón, keď ho umiestnite k reproduktoru, inak spôsobí obrovský šum.
- e. Na plášti bezdrôtového mikrofónu sa nachádza prepínač stlmenia, ktorým môžete stlmiť (angl. mute) zvuk mikrofónu.
- f. Tento model má funkciu priority mikrofónu. Keď aktivujete túto funkciu na diaľkovom ovládači, zvuk mikrofónu sa bude z reproduktora prehrávať v popredí (hudobný podklad sa stlí); hudba, ktorá sa prehráva na pozadí, sa automaticky obnoví po skončení používania mikrofónu.
- g. Môžete používať súčasne bezdrôtový a káblový mikrofón.

Gitarový vstup: Zariadenie umožňuje pripojiť hudobný nástroj, napr. gitaru, pomocou 6,3 mm gitarovej zdievky, ktorá je na hornom paneli. V tomto prípade použite dodatočný kábel (nie je v súprave). Krátkym stlačením tlačidla menu na hornom paneli prepnete nastavenie hlasitosti gitary (zobrazené informácie GE sa týkajú gitary); potom okamžite otáčaním kolieska hlasitosti nastavte požadovanú úroveň; Počkajte chvíľu, režim daného nastavenia sa vypne. Reproduktor bude prehrávať zvuk gitary. Hlasitosť gitary môžete tiež nastaviť stlačením tlačidla GT+/GT- na diaľkovom ovládači.

Riešenie problémov

1. Reproduktor sa nechce zapnúť.

a. Skontroluje, či je zariadenie správne pripojené k el. napätiu.

2. Žiadny zvuk.

a. Skúste prekrútiť ovládacie koliesko hlasitosti, skontrolujte zdroj prehrávania.

b. Ak sa problém nevyrieši, kontaktujte autorizovaný servis.

3. Zvuk je deformovaný.

a. Skúste prispôsobiť a prehrávajte pri nižšej úrovni hlasitosti.

b. Skontrolujte nastavenie vysokých a nízkych tónov.

4. Počas počúvania FM rádia počúť šum.

a. Skúste zariadenie postaviť v inom mieste, kde je lepší príjem rozhlasového signálu.

b. Opätovne spustite vyhľadávanie, alebo vyberte inú rozhlasovú stanicu.

Špecifikácia

Zdroj el. napätia: AC 110-240 V, 50/60 Hz.

Akumulátorové napájanie: 7,4V/5000mAh

Frekvencia FM: 87,5 – 108,0 MHz.

USB port: 5 V, 500mA, verzia 2.0, podporovaná kapacita USB kľúčov do 32 GB.

Karta microSD: podporované nosiče s kapacitou do 32 GB.

USB / karty microSD podporujú hudobné súbory formátu: MP3, WMA, WAV, FLAC (nedá sa zaručiť, že zariadenie dokáže prehrať všetky súbory týchto typov)

Bluetooth V5,0, dosah do 10 m

Výstupný výkon RMS: 2 x 20 W.

Mikrofón: vstup 1 x 6,5 mm, pripojenie káblového mikrofónu.

2 x bezdrôtový mikrofón (frekvencia: 208,8 MHz, 215MHz, zdroj el. napätia: 2 x 1,5 V, AA)

1 x gitarový vstup.

Príkon: 40 W

Odber prúdu v pohotovostnom režime: <0,5 W.

FONTOS BIZTONSÁGI UTASÍTÁSOK


FIGYELEM!
ÁRAMÜTÉS VESZÉLYE
NE NYISSA KI!


Figyelem:

Az áramütés kockázatának csökkentése érdekében, ne távolítsa el a fedelet vagy hátra alkatrészeket. A készülékben nincs felhasználó által javítható alkatrészek. Forduljon képzett szakemberhez

A szimbólumok magyarázata:


Villám szimbólum elhelyezett egyenlő oldalú háromszögben figyelmezteti a felhasználót a szigetetlen "veszélyes feszültségre" a készülékben, amely elérheti a fenyegető áramütés méretét.ű



Felkiáltójel szimbólum elhelyezett egyenlő oldalú háromszögben figyelmezteti a felhasználót, hogy most az üzemeltetési és karbantartásról információk megjelennek a dokumentációban, a készülékhez hozzáadott.

Kérjük, figyelmesen olvassa el az alábbi biztonsági utasításokat, és ezeket a későbbiekben felmerülő kérdések esetére is tartsa meg. Vegye figyelembe a használati utasításban és a készülék hátoldalán található figyelmeztetéseket és utasításokat.

Fontos információk

- Tartsa meg a használati útmutatók későbbi kérdések esetében
- Kerülje a készülék vízzel vagy nedvességgel történő érintkezését
- Ne telepítse a készüléket az alábbi helyeken:
- Kerülje a berendezés közvetlen napfényvel vagy szokatlanul sok porral történő érintkezését.
- Ne helyezzen semmilyen más melegítő készülékek a berendezés mellett.
- A készülék helye ne legyen folyamatosan rezgő helyeken.
- A készülék helye ne legyen magas páratartalmú helyiségben.
- Ne helyezzen nyílt láng vagy gyertyák mellett.
- Berendezések csak kézikönyv szerint használható.
- A berendezés bekapcsolása előtt, győződjön meg róla, hogy az áramellátás megfelelően csatlakozik.
- USB memóriát közvetlenül bekapcsolható, 25 cm-es kábellel.

A hátoldalon és a készülék oldalán található légnyelások maradjanak szabadon. Soha ne próbálja meg a hibás készüléket megjavítani, minden esetben forduljon ügyfélszolgálatához. Ne nyissa fel a készüléket - ezt csak szakember teheti meg.

BIZTONSÁGI UTASÍTÁSOK

1. Olvassa el az utasításokat - figyelmesen olvassa el a biztonsági utasításokat.
2. Tartsa meg az útmutatót - későbbiekben felmerülő kérdések esetére tartsa meg a biztonsági utasításokat.
3. Vegye figyelembe a figyelmeztetéseket - Vegye figyelembe a használati figyelmeztetéseket és utasításokat.
4. Vegye figyelembe az utasításokat - Vegye figyelembe a használati figyelmeztetéseket és utasításokat.
5. Üzembevétel - Utasítások szerint ügyeljen.
6. Áramforrás - A készüléket csatlakoztassa csak a normál hálózati feszültséghez. Ha a felhasználó nem biztos abban, milyen típusú tápegysége van a házban, akkor forduljon a forgalmazóhoz vagy a helyi áramszolgáltatóhoz.
7. Földelés vagy teljesítmény polarizációja - a földelésre nincs szükség. Győződjön meg arról, hogy a csatlakozó teljesen be van helyezve a fali csatlakozóba vagy kiterjesztésébe. A berendezés egyes verziói egy polarizált csatlakozója van (az egyik pólus szélesebb). Ez a dugó lehet illeszteni a fali aljzatba csak egyféleképpen. Ez egy biztonsági funkció. Ha nem lehet bedugni a dugót a konnectorba, próbálja fordítani őt. Ha a dugó még mindig nem illeszkedik az aljzatba, forduljon villanyszerelőhöz, hogy cseréltesse ki. Ne távolítsa el a biztonságot a polarizált dugóról. Amikor használ hosszabbítót vagy a hálózati kábel ami nem mellékelte a készülékhez, megfelelő dugaszolhatóra és az adott országban biztonsági ellenőrzésre szüksége van.
8. Táp kábel biztosítása - Úgy helyezze el a hálózati kábelt, hogy abban senki ne botoljon meg. Fordítson különös figyelmet a dugaszolhatóra, a hálózati csatlakozóra és ezekre a helyekre ahol a kábelek vezetnek ki a készüléket.
9. Túlterhelés - ne terhelje túl a konnectorokat, hosszabbítót, és elektromos elosztók, mivel ez tüzet vagy áramütést áramütést okozhat.
10. Szellőzés - A készüléket szellőztetni kell. Ne tegye a készüléket puha felületre, pl. takaróra, szőnyegre vagy függönyök, falikárpit közelébe, mert a szellőző nyílások takarásba kerülhetnek, ezáltal a szükséges levegőcsere nem valósul meg.
11. Hőség - Ne helyezze a készüléket fűtőtestek vagy más hő sugárzó források közelébe. Kerülje a berendezés közvetlen napfényvel. Nyílt láng, például gyertyák ne kerüljenek a készülékre.
12. Víz és nedvesség - Tűveszély és egy esetleges áramütés elkerülése végett, a készüléket ne tegye ki esőnek vagy nedvességnek. A berendezést ne használja fürdőkádak, úszómedencék vagy fröcskölő vízforrás közelében.
13. Tárgyak és folyadékok a készülék - Idegen tárgyak nem tegyen be a készülékbe mert feszültség alatt lévő pontokat és alkatrészeket érinthetnek, ami tüzet vagy áramütést okozhat. Ne helyezzen folyadékkal telt tárolóedényeket a készülékre.
14. Tisztítás - A tisztítás előtt mindig húzza ki a készüléket a fali csatlakozóból. Port száraz ruhával távolítsa el. Ha a tisztításhoz aeroszolt használ, ne irányítsa közvetlenül a készülékre, de a ruhára. Ügyeljen arra, hogy ne sértse meg a meghajtó egységeket.
15. Kiegészítő berendezések - Ne használjon olyan tartozékokat, amelyek nem a gyártó által jóváhagyott, mivel azok veszélyt jelentenek.
16. Tartozékok - Ne helyezze a készüléket instabil kocsira, állványra, konzolra vagy asztalra. A készüléket megsérülheti és súlyos sérülést okozhat egy gyermek vagy egy felnőtt számára. Csak a gyártó által jóváhagyott vagy készülékkel eladott kocsit, állványt, konzolt vagy használható. A készüléket gyártói útmutató szerint felszerelhető.

17. A berendezés áthelyezése - a kocsin levő készüléket nagyon óvatosan mozdulni kell. Gyors fékezés, túlzott erőltetés és az egyenetlen felületek miatt felborulhat a készülék.
18. A berendezést nem használata - Ha a berendezést hosszabb ideig nem használja, áramtalanítsa azt.
19. Szerviz - Soha ne próbálja meg a hibás készüléket megjavítani, minden esetben forduljon ügyfélszolgálatához. Ne nyissa fel a készüléket - ezt csak szakember teheti meg. A karbantartási munkákat hagyja szakképzett személyezetre. Egyéb esetekben magát és másokat is veszélyeztet.
20. Ha a berendezést hosszabb ideig nem használja, áramtalanítsa azt. Ha a készülék csatlakoztatva van egy áramforráshoz, ez készenléti üzemmódban, és nem teljesen kizár.
21. Pótalkatrészek - Alkatrészek cseréjekor ellenőrizze, hogy a szolgálati munkavállaló használt pótalkatrészeket a gyártó által meghatározott, vagy ugyanilyenek, mint az eredeti rész. Nem engedélyezett részek esetében tűz, áramütés vagy egyéb veszély veszélyeztet.
22. Főbiztosítékok – Állandó készülék biztosításához megfelelő típusú és paraméterű biztosítókat használni kell. Biztosítékok paramétereit a készüléken vannak.
23. Ne növelje a hangerőt a kis hangerőjű dal vagy a bemenő audiojel hiányában mellett. Ellenkező esetben maradandó halláskárosodáshoz vezethet.
24. A hálózattal történő kicsatlakoztatáshoz a villásdugót teljesen nyomja ki a konnektorból. A aljzat vagy kábel bemeneti teljesítmény a készülék mindig elérhetőnek kell lenni a használat során a termék.
25. A készüléket a konnektor vagy hosszabbító közelében el kell helyezni, oly módon, hogy mindig rendelkezésre áll.
26. A készülék maximális környezeti hőmérséklete 35 °C.
27. Irányelvek az elektrosztatikus kitérésről – ha a készülék működése zavarban van az elektrosztatikus kitérés miatt, ki kell kapcsolni és újrapcsolni vagy más helyre mozdulni.
28. Elem
 - a. Ne helyezze a készüléket fűtőtestek vagy más hő sugárzó források közelébe. Kerülje a berendezés közvetlen napfényel.
 - b. Az akkumulátor kidobása alatt, fordítson figyelmet a környezetvédelemre.
 - c. Vigyázat elemek használatára vonatkozó: annak érdekében, hogy megakadályozza az elem szivárgását amely sérülést vagy kárt okozhat:
 - az elemek elhelyezése alatt, fordítson figyelmet a polaritásra (+ és -)
 - ne használjon különböző elemeket egyszerre – régi és új normál és alkalikus stb.
 - Vegye ki az elemeket a készülékből, ha nem használja hosszabb időre.

ERP2-ről megjegyzések (energiával kapcsolat eszközök)

Ez a készülék okprojekttel megfelel a 2. szakasz bizottsági rendelet (EC) No 1275/2008 irányelvet átültető 2009/125/EK energiafogyasztásról a fogyasztókkal élő és működő készenléti üzemmódban elektronikus eszközökről iródban és házban. 15 perc a bevételi jel nélkül után, a készülék automatikusan készenléti üzemmódba átkapcsol.

Információk a normál működésbe helyreállításáról az útmutatóban megtalálható.

Fontos információk

Ez a készülék fel van szerelve egy energiatakarékos üzemmóddal: 30 perc a bevételi jel nélkül után, a készülék automatikusan készenléti üzemmódba átkapcsol (ERP2 szabvány). Meg kell jegyezni, hogy az alacsony hangerő az lehet ismerni "nincs hangként": ez befolyásolhatja a jel elismerésére és automatikusan készenléti üzemmódba kapcsolására. Ebben az esetben vissza kell állítani az audiojel adása vagy növelni a hangerőt a hangforrásban (MP3-lejátszó, stb). Ha a probléma továbbra is fennáll, lépjen kapcsolatba a helyi márkaszervizzel.

FIGYELEM

A készüléket nem használhatják olyan személyek (beleértve a gyerekeket), akik testi, érzékszervi vagy szellemi fogyatékoságtól szenvednek és az elégtelen tudású és tapasztalatú is, ha a felelős személy nem felügyeli és nem kaptaék elég információ a készülékről. Felnöttek jelenlétre szüksége van ha a gyerekek használják a készüléket. Ez biztosítja a biztonságos használatát.

1. Soha ne hagyja a gépet felügyelet nélkül! Kapcsolja ki készüléket, ha nem használ, bár egy rövid ideig.
2. Ne használja a készüléket egy külső órajel időzítővel, vagy egy külön távvezérlő rendszerrel.
3. Kockázatának elkerülése érdekében a tápkábel megsérülése esetében, a cserét gyártónak kell végezni, meghatalmazott szolgáltató, vagy más személy aki rendelkezik megfelelő képesteéssel.
4. Mielőtt használatba venné a készüléket, ellenőrizze, hogy a hálózati feszültség megegyezik a feszültséggel előforduló helyi hálózatban.
5. Ne tegye a készüléket puha felületre, pl. takaróra, szőnyegre vagy függönyök, falikárpit közelébe, mert a szellőző nyílások takarásba kerülhetnek, ezáltal a szükséges levegőcsere nem valószínű meg. Győződjön meg arról, hogy a készüléktől legalább 20 cm szabad hely, és a két oldalán - legalább 5 cm-t.
6. Amennyiben a készülékebe idegen anyag, test vagy folyadék kerül, ne helyezzen folyadékkal telt tárolóedényeket, pl. vírárgvázát a készülékre.
7. Tűzveszély és egy esetleges áramütés elkerülése végett, a készüléket ne tegye ki esőnek vagy nedvességnek.
8. A berendezést ne használja fürdőakádak, úszómedencék vagy fröcskölő vízforrás közelében. Tartsa meg stabil helyeken.
9. Ne tegye ki erős mágneses mezőre.
10. Ne helyezze a készüléket közvetlenül az erősítón vagy vevőn.
11. Ne helyezze a készüléket páras helyen, mert a nedvességnek hátrányos hatása van az elektromos alkatrészekre.
12. A készülék hozása a hideg helyről meleg vagy nedves helyre páralecsapódás a lencsén a lejátszó belsejében történhet. Ebben az esetben a készülék nem helyesen működhet. Hagyja a gépet bekapcsolva körülbelül egy óráig, hogy lehetővé tegye a nedvesség párolgást.
13. Ne tisztítsa a készüléket kémiai oldószerekkel, a készülék lakk megsemmisítése miatt. Az eszköz tiszta, száraz vagy enyhén nedves ruhával tisztítható.

14. A konnektorból történő kihúzás esetén ne a kábelt, hanem a villásdugót húzza ki.
15. A készülék működik a bekapcsolt tétvé mellett, ez a zaj a képernyőn forrása lehet. A TV adás hullámaiktól függő. Azt nem jelenti hibás se tévé se rádió működését. Ebben az esetben távolítsa a készüléket a tétvétől.
16. A hálózati csatlakozó a hálózathoz használható. Fontos, hogy mindig elérhető.
17. Hogy megakadályozzák az esetleges halláskárosodást, ne hallgass hangosan zenét egy hosszú ideig.



FIGYELEM

Megfelelőség

A Blaupunkt Competence Center 2N-Everpol Sp. z o.o. kijelenti, hogy ez a készülék megfelel a 2014/53/EU irányelv alapvető követelményeinek és más vonatkozó rendelkezéseinek. A megfelelőségi nyilatkozat a termék honlapjáról szerezhető be: www.blaupunkt.com.

Felelős fél: 2N-Everpol Sp. z o.o., Puławska 403A, 02-801 Varsó, Lengyelország, telefon: +48 22 688 08 00, e-mail: info@everpol.pl



A termék kiváló minőségű anyagokból és alkatrészekből áll, újrahasznosíthatók és újra felhasználhatók.



Jeśli na urządzeniu znajduje się znak przekreślonego kosza na śmieci, oznacza to, że produkt jest objęty postanowieniami dyrektywy europejskiej 2012/19/EU. Na jej podstawie należy postępować zgodnie z lokalnymi przepisami i zapoznać się z wymaganiami dotyczącymi lokalnego systemu zbiórki odpadów elektrycznych i elektronicznych i w przypadku tego produktu, zastosować się do nich.

NIE WOLNO WYRZUCAĆ TEGO PRODUKTU RAZEM ZE ZWYKŁYMI ODPADAMI DOMOWYMI!

NINIEJSZY PRODUKT ZAWIERA NIEBEZPIECZNE: SUBSTANCJE, MIESZANINY I CZĘŚCI SKŁADOWE, KTÓRE ZUŻYTIKOWANE W NIEDOZWOLONY SPOSOB, MOGĄ BYĆ ŹRÓDŁEM POTENCJALNYCH SKUTKÓW DLA ŚRODOWISKA NATURALNEGO ORAZ ZDROWIA LUDZKIEGO!

Prawidłowe usunięcie zużytego produktu, zapobiegnie negatywnym skutkom dla środowiska naturalnego i zdrowia ludzkiego.



A készülék fel van szerelve akkumulátorral ami megfelel a 2006/66/EC európai irányelv követelményeinek. Ne dobja az elemet a normál háztartási szeméttel. Kérjük, olvassa el a követelmények a helyi rendszerről a hulladék elektromossal és elektronikus berendezésekkel kapcsolatos. Helyi követelmények szerint csinálni kell. Ne dobja a terméket a normál háztartási szeméttel.

Információk a környezetvédelemről

A csomag csak a szükséges elemeket tartalmaz. Minden erőfeszítést tettek, hogy a csomagolóanyag három összetevője könnyen elkülönített legyen: karton (doboz), polisztirol (belső biztonság) és polietilén (zacskó, védő lap). A készülék olyan anyagból készült, melyek újrahasznosíthatók és szétszerelhetőek. Kérjük, olvassa el a követelmények a helyi rendszerről a hulladék elektromossal és elektronikus berendezésekkel kapcsolatos.

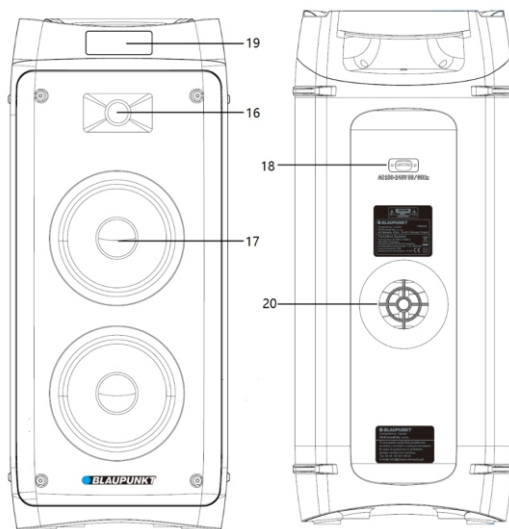
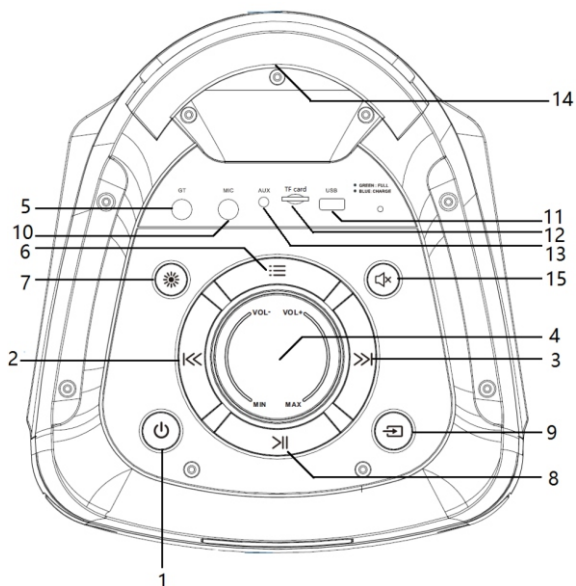
Felvételhez és lejátszáshoz engedélyre van szükség. Lásd a szerzői jogi törvényt, valamint az előadók / művészek jogairól.



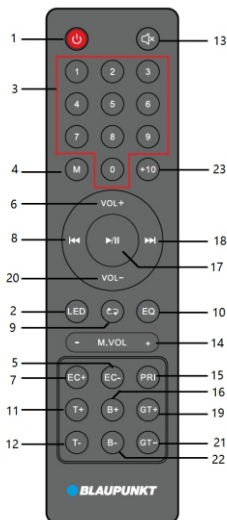
A Bluetooth® szó márkajelzés és logó a Bluetooth SIG, Inc. bejegyzett védjegyei, és ezen márkajelzéseket engedéllyel használjuk. Más védjegyek és márkanevek a vonatkozó tulajdonoshoz tartoznak.

Köszönjük, hogy megvásárolta készülékünket. Használat előtt kérjük, figyelmesen olvassa el a jelen útmutatót. A használati útmutatót későbbi igénybevétel céljából őrizze meg.

Vezérlőpanel



- | | | | |
|---|--|------------------------|------------------|
| 1-Bekapcsoló/kikapcsológomb; | 2,3-Előző / következő; | 4-Hangerő-szabályozás; | 5-Gitárbeamenet; |
| 6 - Nyomja meg többször a Menü gombot a szoprán/basszus/mikrofon hangerő/mikrofon visszhang/mikrofon szoprán/mikrofon basszus/gitár hangerő beállításhoz; | 7-Diskófény | 8-Lejátszás / szünet; | |
| 9- Hangforrás kiválasztó gomb ; | 10-Vezetékes mikrofon bemeneti aljzat; | 11- USB aljzat; | |
| 12-microSD kártyafoglalat; | 13 - AUX IN bemenet; | 14- Fogantyú; | 15 - Némítés; |
| 16- Magassúgózó; | 17- Közép- és mélyszugárzó; | 18-AC tápkábel aljzat; | 19- Kijelző; |
| 20- Bass-Reflex aljzat; | | | |



Távírányító

- 1- Bekapcsológomb;
- 2- Diskófény bekapcsolása/kikapcsolása;
- 3- Numerikus gombok;;
- 4-Véletlenszerű lejátszás bekapcsolása/kikapcsolása
- 5,7- Echo +/- beállító gombok;
- 6,20- Hangerőszabályozó +/- gombok;
- 8,18- Előző és következő, csatorna - / + gomb;
- 9-Ismétlés funkció gomb (egy zeneszám ismétlése / összes zeneszám ismétlése / véletlenszerű lejátszás);
- 10 -Hangszínszabályzó EQ (flat/POP/Rock/Jazz/Classic)
- 11, 12- Magas hangok +/- beállító gombja;
- 13- Némítás gomb;
- 14-Mikrofonhangerő +/- beállító gomb;
- 15 - Mikrofon prioritás gomb;
- 16,22- Mély hangok +/- beállító gombja;
- 17- Lejátszás / szünet;
- 19, 21- GT gitárbejemenet +/- hangerő-beállító gomb;
- 23-+10 gomb;

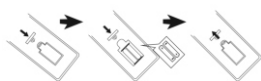
Áramellátás: Kérjük, ellenőrizze, hogy a tápegység megfelel-e a névleges feszültségre vonatkozó követelményeknek, melyek a hátlapon találhatóak. Amennyiben nem egyezik meg, kérjük, forduljon a forgalmazóhoz vagy a szervizhez. A tápkábel anyá végét helyezze be a készüléken található aljzatba, majd a dugót helyezze a fali konnektorba az áramellátást biztosítása végett.

Akkumulátortöltés: A beépített akkumulátor lehetővé teszi a zenelejátszást anélkül, hogy a készülék áramhoz lenne csatlakoztatva. A felső panelen található töltés visszajelző LED lámpa piros színű lesz. A teljes feltöltést követően a visszajelző zöld színűre vált. Az akkumulátor akkor is feltöltődik, ha a készülék ki van kapcsolva, de áramforráshoz van csatlakoztatva. Az akkumulátor töltési ideje 4 óra, a lejátszási idő pedig 3~5 óra, a lejátszás hangerejétől függően. A készülék automatikusan kikapcsol, ha az akkumulátor lemerül. A további használat érdekében töltsse fel az akkumulátort.

Figyelem: Készletlenti állapotban (a felső panelen vagy a távirányítón található bekapcsológomb rövid megnyomása) a készülék 15 perc elteltével kezdi meg a töltést az öko projekt követelményeinek megfelelően. Sürgős töltéshez nyomja meg és tartsa lenyomva a kapcsológombot (kapcsolja ki a készüléket). A készülék zenelejátszás közben folyamatosan tölthető.

Akkumulátor használata:

1. Amikor az akkumulátor lemerül vagy a töltöttsége alacsony, a lehető leghamarabb töltsse fel. Ha huzamosabb ideig nem tölti fel, csökken a belső kapacitása, ami ellehetetleníti a teljes feltöltést, vagy lerövidíti a működési időt.
2. Ha az akkumulátor cseréjére van szükség, kérjük, lépjen kapcsolatba a helyi Blaupunkt szervizzel.
3. Az akkumulátort ne töltsse 24 óránál hosszabb ideig. A túlzott lemerülés vagy túltöltés lerövidíti az akkumulátor élettartamát. A sokszoros töltés-lemerítés befolyásolja az akkumulátor élettartamát és a lejátszási időt. Az akkumulátor élettartama alatt nem garantálható az azonos lejátszási idő. Az akkumulátor élettartamának változása nem képezheti garanciális igény alapját.



Az elemek behelyezése a távirányítóba

Nyissa fel az elemtartó fedelét és helyezzen be két AAA elemet (mellékelve); Győződjön meg róla, hogy az elem elhelyezése megfelel-e az elemtartóban feltüntetett negatív és pozitív pólusoknak. Ezt követően zárja be az elemtartó fedelét.

Megjegyzések:

- a. A távirányító 5 méter távolsáig működik a legjobban, akadályok nélkül. Használat közben a távirányító érzékelőjét irányítsa a készülék felé.
- b. A távirányító érzékenysége az elem lemerülésével egyre gyengébb lesz. Az elhasznált elemeket ki kell cserélni.
- c. Ha a készülék hosszabb ideig nem lesz használva, vegye ki belőle az elemet.
- d. Az elemet környezetudatos módon hasznosítsa újra. Ehhez kérjük, olvassa el a helyi hatóságok követelményeit.

Általános kezelés

1. Bekapcsolás / kikapcsolás: A készülék be- és kikapcsolásához nyomja meg hosszan (2 másodpercig) a felső panelen található kapcsológombot. A felső panel bekapcsológombjának rövid megnyomásával vagy a távirányító használatával a készülék készenléti üzemmódba állítható. Ha a készülék hosszabb ideig használaton kívül marad, ajánlott a készüléket teljesen kikapcsolni.

- 2. Lejátszás forrásának kiválasztása:** vagy a távirányítón található lejátszási mód gombot az FM / Bluetooth / Line in / USB / microSD lejátszási források közötti váltáshoz, meg a forrás hangforrás kiválasztó gombot a felső panelen.
- 3. Hangerősség szabályozás:** A hangerő növeléséhez vagy csökkentéséhez forgassa el a hangerősség szabályozó gombot a felső panelen, vagy nyomja meg a VOL +/- gombot a távirányítón.
- 4. Magas és mély hangok beállítása:** először nyomja meg röviden a felső panelen található menü gombot, forgassa el a hangerő gombot a magas hangok beállításához. A beállított érték a kijelzőn jelenik meg. Nyomja meg ismét a magas/mély hangok beállító gombját a basszus beállításához. Ugyanez a funkció a távirányítón található +/- gomb megnyomásával is elérhető.
- 5. Hang némítás:** A MUTE gomb megnyomása a felső panelen vagy távirányítón elnémítja a hangot; A gomb ismételt megnyomása helyreállítja az előzőleg beállított hangerőt.
- 6. EQ hangszínszabályzó:** Nyomja meg többször egymás után az EQ gombot a távirányítón a hangszínszabályzó alábbi módok közötti váltáshoz: FLAT/POP/ROCK/JAZZ/CLASSIC.
- 7. Lejátszás / Szüneteltetés:** nyomja meg a lejátszás / szünet gombot a zenelejátszás szüneteltetéséhez vagy folytatásához Bluetooth / USB/microSD módban.
- 8. Ismétlés és véletlenszerű lejátszás:** Nyomja meg az ismétlés gombot a zeneszám ismétlése/összes zeneszám ismétlése/véletlenszerű lejátszási mód bekapcsolásához.
- 9. Világítás:** A 6 féle világítás bekapcsolásához, vagy a világítás kikapcsolásához a világítás gombot nyomogassa.
- 10. Numerikus gombok és +10 gomb:** nyomja meg a numerikus gombokat egy adott zeneszám kiválasztásához USB/microSD lejátszás módban; vagy egy elmentett rádióállomás kiválasztásához FM üzemmódban. A +10 gombbal gyorsan kiválaszthat egy 10 pozícióval odébb lévő zeneszámot.
- 11. Előző/Következő:** Nyomja meg röviden a gombot Bluetooth/USB/microSD módban az előző vagy következő zeneszám lejátszásához.
- 12. A menü gomb használata:** ez egy többfunkciós gomb, nyomja meg többször a szoprán/basszus/mikrofon hangerő/visszhang/mikrofon magas hangok/mikrofon mély hangok/gitár hangerő beállításához; Közvetlenül ezután forgassa el a hangerő gombot a megfelelő szint beállításához; A beállításokból való kilépéshez várjon egy pillanatot. (A kijelzőn megjelenő információk: TE= szoprán szintje, BS= basszus szintje, CU= mikrofon hangerő, EC= visszhang, T= mikrofon magas hangok, B= mikrofon mély hangok, GE= gitár)

FM rádió kezelése

FM rádió hallgatása előtt helyezze a készüléket ablak közelébe az FM jel jobb vétele érdekében. A készülék egy beépített FM antennával rendelkezik.

- 1. Rádióállomások automatikus szkennelése és programozása (automatikus üzemmód):** A rendelkezésre álló rádióállomások automatikus szkenneléséhez és mentéséhez röviden nyomja meg a lejátszás/szünet gombot a felső panelen vagy a távirányítón. A szkennelés után a készülék automatikusan elkezd játszani az első elmentett rádióállomást. (Az elmentett rádióállomások maximális száma: 40)
- 2. Rádióállomások kiválasztása** rádió üzemmódban az előző vagy következő beprogramozott rádióállomás lejátszásához nyomja meg a következő / előző gombot a felső panelen vagy a távirányítón. A távirányítón található numerikus gombok segítségével gyorsan kiválaszthat egy elmentett állomást is, ha megadja annak számát.
- 3. Kézi hangolás:** a rádióállomások felfelé vagy lefelé történő kikereséséhez és automatikus elindításához tartsa lenyomva 2 másodpercig az előző / következő gombot. A távirányítón található numerikus gombok segítségével adja meg a rádióállomás frekvenciáját, majd várjon egy keveset, és a készülék kiválasztja és lejátsza a kívánt rádióállomást.

USB/microSD-lejátszás

A készülék rendelkezik egy USB/microSD-lejátszási funkcióval, mely képes zenét dekódolni és lejátszani hordozható USB/microSD-tárhelyről. A lejátszás megkezdése előtt másolja át az MP3/WMA formátumú zenefájlt az USB-tárhelyre; Csatlakoztassa az USB-tárhelyet a készülékhez, mivel az USB/microSD lejátszási mód csak az USB/microSD-tárhely felismerése után válik elérhetővé. Ezután a készülék automatikusan érzékeli és lejátsza az MP3/WMA zenefájlokat.

Zeneszám kiválasztása: röviden nyomja meg az előző / következő gombot az előző vagy a következő zeneszám lejátszásához; Nyomja meg és tartsa lenyomva a gyors tekerés gombot a gyors előretekeréshez, majd engedje fel a lejátszás folytatásához.

USB/microSD módban a következő funkciók érhetőek el: lejátszás / szünet, némítás, ismétlés, hangszínszabályzó, magas / mély hangok beállítása/+10 stb. A részletek a jelen utasítás „Általános kezelés” fejezetében találhatók meg.

Megjegyzések:

- a. Nem ajánlott az USB-tárhely csatlakoztatása USB hosszabbítón keresztül, mivel ez negatív hatással lehet a lejátszás minőségére és zajt, vagy szaggatott lejátszást idézhet elő adatvesztés miatt a fájlátvitel során.
- b. Nem garantálható minden MP3/WMA/WAV/FLAC formátumú zeneszám dekódolása és lejátszása.
- c. A készülék maximum 32 GB méretű tárhelyet képes kezelni.
- d. Az egyes USB/microSD-tárhelyek automatikus lejátszása típustól és gyártótól függően több időt vehet igénybe; Szem előtt kell tartani, hogy ez nem jelent meghibásodást.

Bluetooth üzemeltetés

A termék Bluetooth funkcióval rendelkezik, mely lehetővé teszi a vezeték nélküli zenelejátszást egy másik Bluetooth eszközzel (pl. okostelefon, tablet stb.).

1. Nyomja meg néhányszor a hangforrás kiválasztó gombot a Bluetooth üzemmód bekapcsolásához. A Bluetooth szimbólum villogni fog a kijelzőn, mely azt jelzi, hogy a készülék párosításra kész.
2. Aktiválja a Bluetooth funkciót a külső eszközben és keressen rá az elérhető készülékekre (lásd a külső eszköz használati útmutatója), majd nézz meg a találati listát. Válassza ki a „BP PB06” pozíciót, a sikeres párosítást követően a Bluetooth szimbólum folyamatosan világítani fog.
3. Válassza ki és játssza le a külső Bluetooth készüléken a kívánt zeneszámot. A hang a termék hangszórójából fog szólni.
4. Nyomja meg a következő / előző gombot az előző vagy a következő zeneszám lejátszásához.
5. Bluetooth módban a lejátszás / szünet, némítás, hangszínszabályozás, magas és a mély hangok beállítása funkciók érhetőek el. A részletek a jelen utasítás „Általános kezelés” fejezetében találhatók meg.

Megjegyzések:

- a. Nem garantált a megfelelő csatlakozás mindegyik Bluetooth készülékkel a különböző tervezésre és márkára való tekintettel.

- b. A Bluetooth működési távolsága akadályok nélkül 10 méter.
- c. A készülék egyszerre egy Bluetooth készülékkel tud csatlakozni és zenét lejátszani.
- d. Bluetooth lejátszás közben bejövő hívás esetén; A zenelejátszás szüneteltetésre kerül és a beszélgetés befejezése után kerül folytatásra.
- e. A jelenlegi Bluetooth kapcsolat megszakításához és egy másik készülékkel való nyomja meg hosszan (3 másodperc) a lejátszás/szünet gombot a felső panelen.

Vezeték nélküli sztereó Bluetooth TWS (True Wireless Stereo) funkció: A hangszóró Bluetooth lejátszáskor vezeték nélküli sztereó TWS funkcióval rendelkezik. Ez a funkció kettő, Bluetooth módba kapcsolt hangszóró esetén elérhető. A vezeték nélküli sztereó első bekapcsolásakor válassza ki a két hangszóró egyikét, mely a központi egység szerepét fogja betölteni. Ezt követően a központi hangszóró és a másik elérhető hangszóró párosításához nyomja meg hosszan a felső panelen (3 másodperc) található „SLAU” mode” gombot. A TWS sikeres párosításakor a hangszóró rövid hangjelzést ad. Az alhangszóró kijelzőjén folyamatosan a „SLAU” felirat látható, a fő hangszóró kijelzőjén pedig a „BLUE” felirat villog. Ezt követően megkezdheti a párosítást és a Bluetooth használatát, a hang mindkét hangszóróból egyszerre kerül lejátszásra. Ha a lejátszási módot FM/microSD/USB-re vagy AUX-RA állítja a fő hangszórón, a hang továbbra is mindkét hangszóróból fog szólni. Az első TWS párosításakor rövid „szazszazszaz...” hangokat hallhat a hangszórókból, ami nem utal hibára. TWS lejátszási módban minden beállítási lehetőség a fő hangszórón érhető el. Néhány funkció nem érhető el az al-hangszórón, ne felejtse, hogy ez nem utal meghibásodásra. A központi hangszóró kikapcsolását követően a TWS lejátszás szüneteltetésre kerül. A készenléti üzemmódban kikapcsolásakor/bekapcsolásakor, a hangszóró kikapcsolásakor/bekapcsolásakor nyomja meg hosszan (3 másodperc) a lejátszás gombot a hangszórók TWS módban való ismételt párosításához. A lejátszási mód gomb ismételt, hosszú megnyomása leválasztja a TWS módban párosított hangszórókat.

AUX IN mód

Más lejátszóról vagy erősítőről történő lejátszás érdekében az alábbi utasításnak megfelelően kell eljárni:

Az audio kábel (mellékelve) segítségével csatlakoztassa a lejátszót (pl. MP3 lejátszó, CD, DVD, keverő stb.) vezetékes kimenetét vagy hangszóró kimenetét a felső panelen található AUX IN aljzathoz. Ezt követően válassza ki és játssza le a zeneszámat a külső lejátszón, a hang a termék hangszóróiból fog szólni.

AUX-IN üzemmódban a lejátszás vezérlése a külső készüléken történik. Jelen eszközön a hangerő-szabályozás, a némítás és magas-mély hangok beállítása használható.

Karaoke

Nyissa fel a vezeték nélküli mikrofon (mellékelve) elemtartójának fedelét, helyezzen be 2 db AA méretű elemet (nem a készlet része) a dombornyomott pozitív és negatív pólusoknak megfelelően, majd zárja le a mikrofon elemtartójának fedelét. A mikrofon bekapcsolásához állítsa át a kapcsológombot bekapcsolt helyzetbe. A hangszóró néhány másodpercen belül automatikusan kapcsolódni fog a vezeték nélküli mikrofonnal. Állítsa be a felső panelen a mikrofon kimeneti hangerejét, majd kezdje el az éneklést. A készülék egy aljzattal is rendelkezik vezetékes mikrofon csatlakoztatásához, csatlakoztassa a vezetékes mikrofont (nem a készlet része) a 6,5 mm-es aljzathoz, majd az énekléshez kapcsolja be a mikrofont.

Tippek:

- a. A mikrofon hangerő/visszhang/mikrofon magas hangok/mikrofon mély hangok beállításához: nyomja meg többször a Menü gombot a szoprán/basszus/mikrofon hangerő/visszhang/mikrofon magas hangok/mikrofon mély hangok/mikrofon mély hangok/gitár hangerő beállításához; Közvetlenül ezután forgassa el a hangerő gombot a megfelelő szint beállításához; A beállításokból való kilépéshez várjon egy pillanatot. (A kijelzőn megjelenő információk: TE= szoprán szintje, BS= basszus szintje, CU= mikrofon hangerő, EC= visszhang, T= mikrofon magas hangok, B= mikrofon mély hangok, GE= gitár).
- b. Ha a magas-mély hang, vagy a visszhang túl magas szintre van beállítva, előfordulhat, hogy a hangszórókból kijövő hang zajos vagy torzított lesz. Ez nem jelent meghibásodást. Le kell csökkenteni a fenti beállításokat, majd ki és bekapcsolni a mikrofont.
- c. Használhatja a karaoke funkciót és egyszerre hallgathatja a zenét; abban az esetben, ha meg kell növelni a karaoke hangerőt és csökkentheti a háttérzene értékét, megpróbálhatja beállítani a különálló mikrofon hangerejét és a fő hangerő gombot.
- d. Kérjük, kapcsolja ki a mikrofont, amikor a hangszóró mellé teszi, különben hatalmas zajt fog okozni.
- e. A vezeték nélküli mikrofonon található a némítás gomb, mellyel kikapcsolható a mikrofon hangja.
- f. Ez a modell egy prioritás funkcióval is el van látva. Ha a távirányítón aktiválja ezt a funkciót, elsősorban a mikrofon hangja fog szólni a hangszórókból (a zene elnémul); a háttérzene lejátszása automatikusan folytatódik, ha befejezte a mikrofon használatát.
- g. Egyidejűleg használhatók vezeték nélküli és vezetékes mikrofonok.

Gitár bemenet: A készülékhez a felső panelen található 6,3 mm-es gitáraljzatnak köszönhetően hangszer, például gitár csatlakoztatható. Ehhez használjon kiegészítő kábelt (a készlet nem tartalmazza). Röviden nyomja meg többször a felső panelen található menü gombot a gitár hangerejének beállításához (a megjelenített GE információk a gitárra vonatkoznak); közvetlenül ezután forgassa el a hangerőszabályozó gombot a megfelelő szint beállításához; A beállításokból való kilépéshez várjon egy pillanatot. A gitár hangja a hangszórókból fog szólni. A gitár hangerejét a GT +/GT - gomb megnyomásával is beállíthatja a távirányítón.

Problémák elhárítása

1. A hangszóró nem kapcsol be.
 - a. Ellenőrizze, hogy az áramellátás megfelelő-e.
2. Nincs hang.
 - a. Próbálja meg módosítani a hangerőt és ellenőrizze a lejátszás forrását.
 - b. Ha a probléma továbbra is fennáll, vegye fel a kapcsolatot a szervizzel.

3. Torzított hang.

- a. Próbálja meg lejátszani a zeneszámot alacsonyabb hangerőn.
- b. Ellenőrizze a magas / mély hangok beállítását.

4. Zajok FM rádió hallgatása közben.

- a. Helyezze át a készüléket a jobb vétel érdekében
- b. Kapcsolja be ismét a szkennelést vagy válasszon ki egy másik rádióállomást.

Műszaki adatok

Tápellátás: AC 110-240V, 50/60 Hz.

Működtetés akkumulátorral: 7,4V/5000mAh

FM sáv szélesség: 87,5-108,0 MHz.

USB csatlakozó: 5V, 500mA, 2.0 verzió, max. 32 GB kapacitású adattároló kezelése.

microSD kártya: max. 32 GB kapacitású tárhely kezelése

Az USB / microSD kártya az alábbi zeneformátumokat kezeli: MP3, WMA, WAV, FLAC (nem garantált mindegyik ilyen típusú fájl lejátszása)

Bluetooth: V5,0, működési távolság 10 m-ig

RMS kimeneti teljesítmény: 2 x 20 W.

Mikrofon: 1 x 6,5 mm-es bemenet, vezetékes mikrofon csatlakoztatása.

2 x vezeték nélküli mikrofon (frekvencia: 208,8 MHz, 215MHz, tápellátás: 2 x 1,5 V, AA)

1 x gitár bemenet.

Áramfelvétel: 40W;

Áramfelvétel készenléti állapotban: <0.5W.

(A fenti műszaki adatok előzetes értesítés nélkül megváltoztathatók).

VAŽNE SIGURNOSNE UPUTE



UGROŽENJE OD ELEKTRIČNOG
UDARA NEMOJTE OTVARATI

Oprez:

Kako bi se smanjila opasnost od električnog udara, nemojte skidati poklopac niti stražnji dio uređaja. Unutar uređaja ne postoje komponente za popravak od strane korisnika. Održavanje i popravak opreme izvršava isključivo kvalificirano servisno osoblje.

Objašnjenje grafičkih simbola:



Simbol munje sa sa strelicom koji se nalazi u jednakostraničnom trokutu upozorava na prisutnost neizoliranog, opasnog napona¹ unutar kućišta uređaja koja može postići veličinu uzrokujuću strujni udar.



Uskličnik unutar jednakostraničnog trokuta upozorava korisnika da ovdje su prezentirane važne poruke za rad i održavanje opreme u dokumentaciji priloženoj uređaju.

Pročitajte ovaj priručnik prije uporabe uređaja da se upoznate sa značajkama i kako koristiti uređaj sukladno namjeni. Ovo će osigurati dugotrajan, besprijekoran rad uređaja i zadovoljstvo uz korištenje.

Važne informacije

- Sačuvajte operativne upute i sigurnosne informacije kako bi se ih moglo koristiti u budućnosti.
- Nemojte dopustiti da na uređaj kapa ili proliva se bilo koja tekućina.
- Ne smijete se također koristiti na vlažnim mjestima, kao što su npr. kupaonica.
- Ne postavljajte uređaj na sljedećim mjestima:
- Izložen suncu ili blizu grijalica.
- Na vrh druge stereo opreme koja generira toplinu.
- Tako da blokira ventilaciju ili u prašnjavom mjestu.
- U okruženju izloženom neprekidnim vibracijama.
- U područjima visoke vlage.
- Ne postavljajte uređaj blizu otvorenog plamena ili otvorene vatre.
- Uređaj se može koristiti samo na način opisan u ovim uputama.
- Prije prvog uključivanja napajanja, pobrinete se da je napajanje ispravno pripojeno.
- USB memoriju se pripaja neposredno ili preko produžnog USB kabela s dužinom do 25 cm.

Iz sigurnosnih razloga, nemojte skidati poklopce ili pristupiti unutrašnjosti uređaja. Uređaj smijete popravljati samo kvalificirano servisno osoblje.

Nemojte rastavljati uređaj ili otvarati njegovo kućište, jer unutra nema dijelova koje bi se moglo popraviti od strane korisnika. Ržavanje i popravak opreme izvrši isključivo kvalificirano servisno osoblje.

Sigurnosne upute

1. Pročitajte upute - prije uporabe stroja, pročitajte sve upute i informacije o sigurnosti.
2. Sačuvajte ove upute - zadržite upute za upotrebu i održavanje kako bi se ih moglo koristiti u budućnosti.
3. Poštujte upozorenja - slijedite sva upozorenja objavljena na uređaju te koje se nalaze u uputama.
4. Slijedite upute - slijedite upute i preporuke za korisnike.
5. Montaža - montirajte uređaj prema uputama proizvođača.
6. Izvori energije - uređaj treba napajati samo iz izvora koji je naveden na naljepnicama na kabelu napajanja. Ako niste igurni koju vrstu napajanja ima vaša kuća, obratite se prodavatelju ili lokalnoj energetskoj tvrtki.
7. Uzemljenje ili polarizacija napajanja - uređaj ne mora biti uzemljen. Provjerite je li utikač potpuno umetnut u utičnicu ili u produžni kabel, kako bi se spriječilo otkriće igle ili kontakata. Neke verzije stroja mogu biti opremljene polariziranim utikačem izmjenične struje (jedna lopatica je šira). Ovaj utikač se može umetnuti u utičnicu samo na jedan način. Ovo je sigurnosna značajka. Ako ne možete staviti utikač u utičnicu, pokušajte ga okrenuti. Ako utikač i dalje ne odgovara utičnici, pozovite električara da to promijeni. Ne skidajte zaštitu polariziranoj utikača. Kada koristite produžni kabel ili kabel za napajanje osim isporučenog s uređajem morate imati odgovarajuće čepove i potvrdu o sigurnosti potrebnu za određenu zemlju upotrebe.
8. Osiguranje kabela za napajanje - energetski kabele moraju biti preusmjereni na takav način kako ne bi se moglo kroz njih hoditi, pritiskivati ili obrezivati bilo kojim postavljanjem objektima. Obratite posebnu pozornost na utikače, utičnice i mreže, gdje kabeli izlaze iz uređaja.
9. Preopterećenja - nemojte preopteretiti zidne utičnice, produžne kabele i električne distributere, jer ovo baš može dovesti do požara ili strujnog udara.
10. Ventilacija - uređaj mora biti pravilno provjetran. Ne postavljajte uređaj na krevet, kauč ili drugu sličnu površinu. Nemojte prekrivati stroj stolnjakom, salvetom, novinama i sl.
11. Vrućina - nemojte postavljati uređaj u blizini izvora topline kao što su grijači, radijatori, peći i ostali uređaji (pojačala) koji stvaraju toplinu. Ne stavlajte na uređaj upaljenih svijeća i drugog otvorenog plamena.
12. Voda i vlaga - kako bi se smanjio rizik od požara ili električnog udara, nemojte izlagati uređaj kiši, vlazi i vodi, na primjer u sauni ili u kupaonici. Ne koristite ovaj proizvod u blizini vode, primjerice blizu kade, umivaonika, sudopera ili za pranje rublja, u vlažnom podrumu ili blizu bazena (ili u drugim sličnim mjestima).

14. Čišćenje - uvijek prije čišćenja isključite uređaj iz zidne utičnice. Prašinu oko zvučnika se može ukloniti suhom krpom. Ako za čišćenje će se koristiti sredstvo u obliku aerosola, sprej ne bi se smjelo da bude usmjeren izravno na stroj, ali tkaninu. Budite oprezni da ne oštetite pogonske jedinice.
15. Dodatna oprema - nemojte koristiti pribore koji nisu odobreni od strane proizvođača, jer mogu predstavljati prijetnju za rad uređaja i za samog korisnika.
16. Pribori - nemojte postavljati uređaj na nestabilne kolice, stalku, tronožcu, nosaču ili stolu. Uređaj se može kotrljati i oštetiti se ili uzrokovati ozbiljne ozljede djeci ili odraslim osobama. Koristite samo kolice, stanke, tronožce, nosače ili stolove kojih preporučuje proizvođač ili se ih prodaje zajedno s uređajem. Montažu uređaja se mora provesti u skladu s uputama proizvođača, koristite pribore za ugradnju oobrene od strane proizvođača.
17. Premještanje stroj - uređaj postavljen na kolicama mora se premješati vrlo pažljivo. Naglo zaustavljanje, previše sila i neravne površine mogu uzrokovati da kolica s uređajem prevrne.
18. Vrijeme bez korištenja uređaja – kabel napajanja mora biti isključen iz zidne utičnice tijekom grmljavinskog nevremena ili ako se ga ne koristi duže vrijeme.
19. Servisiranje - ne pokušavajte pogledati unutrašnjost uređaja sami. Otvaranje poklopca može uzrokovati opasne napone i izložiti vas drugim opasnostima. Održavanje i popravak opreme vrši isključivo kvalificirano servisno osoblje.
20. Kada stroj nije u uporabi, izvucite mrežni utikač iz zidne utičnice. Kad je uređaj pripojen na izvor napajanja, uređaj je u stanju čekanja i nije u potpunosti isključen.
21. Rezervni dijelovi – tijekom zamjene dijelova, treba provjeriti dla li serviser je koristio rezervne dijelove koje preporučuje proizvođač ili dijelove koje su identične originalnim dijelom. Izrada zamjene neodobrenih rezervnih dijelova ugrožava od požara, strujnog udara ili drugih opasnosti.
22. Glavni osigurači – da bi se konstantno osiguralo uređaj od požara, koristite osigurače samo odgovarajuće vrstu i određenih parametara. Parametri osigurača u rasponu napona su označeni na uređaju.
23. Ne smije se da se poveća glasnoću dijela kad se sluša dio s niskom glasnoću ili u slučaju odsutnosti ulaznog audio signala. Inače, s naglim porastom snage signala možete oštetiti zvučnik.
24. Jedin način da isključite uređaj iz izvora napajanja je takav da odspojite mrežni kabel iz zidne utičnice ili uređaja. Električna utičnica ili kabel ulazne snaga na uređaju mora biti uvijek na raspolaganju kada koristite proizvod.
25. Uređaj bi trebao biti instaliran u blizini utičnice napajanja ili produžnog kabela na takav način su oni uvijek na raspolaganju.
26. Maksimalna temperatura okoline uređaja je 35°C
27. Savjeti za elektrostatička pražnjenja - ako se rad prekine zbog elektrostatičkog pražnjenja, isključite uređaj ponovno ili premjestiti ga na drugo mjesto.
28. Baterija
 - a. Baterije se ne smije izlagati pretjeranoj toplini, npr. suncu, vatri i sličnim uvjetima.
 - b. Kod zbrinjavanja baterije, obratite pažnju na aspekte okoliša.
 - c. Ponašajte se oprezno tijekom korištenjem baterija: kako bi se spriječio curenje baterije, koje može uzrokovati ozljede ili oštećenja na uređaju:
 - Pri umetanju baterija obratite pažnju na polaritet (+ i -).
 - Nemojte koristiti različite baterije u isto vrijeme - stare i nove, alkalne baterije, standardne itd.
 - Izvadite baterije iz uređaja kad se ga neće koristiti duže vrijeme.

UPOZORENJE

Uređaj ne smije biti korišten od strane osoba (uključujući djecu) sa smanjenim fizičkim, osjetilnim ili mentalnim sposobnostima te osoba s nedovoljnim znanjem i iskustvom, ako nisu one pod nadzorom osobe odgovorne za njihovu sigurnost i nisu obučeni o tome kako sigurno koristiti uređaj. Prisutnost odraslih je potrebna ako uređaj koriste djeca; ovo će osigurati sigurnu uporabu uređaja.

1. Nikada ne ostavljajte stroj da radi bez nadzora! Isključite uređaj kada nije u uporabi, čak i za kratko vrijeme.
2. Uređaj se ne može upravljati putem vanjskog sata s timerom, ili posebnim sustavom daljinskog upravljanja.
3. Da bi se izbjegla opasnost u slučaju štete za zamjenu kabela napajanja treba se obratiti proizvođaču, ovlaštenom servisu ili drugim stručnim osobama.
4. Prije uporabe uređaja, provjerite je li napon odgovara naponu koji je nastao u mrežnom naponu.
5. Nemojte prekrivati ventilacijske otvore uređaja, npr. papírom, tkaninama, zavjesama, itd. Uvjerite se da uređaj ima najmanje 20 cm slobodnog prostora, a na svakoj strani - najmanje 5 cm.
6. Nemojte dopustiti da na uređaj kapaju ili prolivaju tekućine, te nemojte stavljati posude s tekućinom, poput vaza.
7. Kako biste spriječili požar ili strujni udar, uređaj mora biti zaštićen od žarišta, kiše, vlage i prašine.
8. Ne postavljajte uređaj blizu izvora vode, npr. slavine, kade, bazena ili perlice rublja. Staviti uređaj na ravnu i stabilnu površinu.
9. Nemojte da uređaj izlažite jakim magnetskim poljima.
10. Nemojte da uređaj stavljajte izravno na pojačalu ili prijammiku.
11. Ne postavljajte uređaj na vlažnom mjestu, jer vlaga ima štetan učinak na električne komponente.
12. Dovođenje uređaja iz hladnog u toplo vlažnom mjestu može uzrokovati kondenzaciju na leći unutar playera. U ovom slučaju, uređaj neće raditi ispravno. Uređaj se mora ostaviti uključen oko jedan sat kako bi se omogućilo isparavanje vlage.
13. Izbjegavajte korištenje kemijskih otapala, jer mogu oštetiti boju kućišta. Uređaj se obriše čistom, suhom ili vlažnom krpom.
14. Pri likom uklanjanja utikača iz zidne utičnice, uvijek povucite utikač, a ne kabel.
15. Kada uređaj se koristi u blizini uključenog televizora, ovo može biti izvor buke ili slike u obliku linije na zaslonu uređaja. Ovo ovisi o propusnosti emitiranja valova. To ne označava kvar uređaja ili televizora, ako vidite takve linije, pomaknite uređaj dalje od TV prijemnika.
16. Mrežni utikač se upotrebljava za isključivanje napajanja zato mora biti uvijek na raspolaganju.
17. Da biste spriječili mogućí gubitak sluha, ne slušajte glasno glazbu kroz duže vrijeme.



NAPOMENA



Izjava

Niže navedenim Blaupunkt Competence Center 2N-Everpol Sp. z o.o. izjavljuje da je ovaj proizvod u skladu sa zahtjevima i drugim relevantnim odredbama Direktive 2014/53/EU. Za potpunu Izjavu o sukladnosti posjetite stranicu www.blaupunkt.com na kartici proizvoda.

Odgovorni subjekt: 2N-Everpol Sp. Z o.o.
Puławska 403A, 02-801 Warszawa, Poljska
Telefon: +48 22 688 08 00, e-mail: info@everpol.pl



Proizvod je izrađen od visokokvalitetnih materijala i dijelova koji se mogu reciklirati i ponovo upotrijebiti.



Ako se na vašem uređaju nalazi simbol prekrížene kante za smeće, to znači da je proizvod pokriven odredbama Europske direktive 2012/19/EU. Na temelju toga, slijedite lokalne propise i upoznajte se sa zahtjevima za vaš lokalni sustav prikupljanja električnog i elektroničkog otpada i, u slučaju ovog proizvoda, pridržavajte ih se.

NE ODLAGAJTE OVAJ PROIZVOD SA KUĆNIM OTPADOM!

OVAJ PROIZVOD SADRŽI OPASNE TVARI, SMJESE I KOMPONENTE KOJE, AKO SU NEDOVLAŠTENE, MOGU BITI IZVOR POTENCIJALNIH EFEKATA NA PRIRODNI OKOLIŠ I ZDRAVLJE LJUDI!

Ispravno zbrinjavanje iskorištenog proizvoda sprječit će negativne učinke na okoliš i ljudsko zdravlje.



Uređaj je opremljen sa baterijama obuhvaćenim Europskom direktivom 2006/66/EC. Baterije se ne smije odlagati zajedno s komunalnim otpadom. Molimo pogledajte lokalne propise o zasebnom prikupljanju baterija jer ispravnim odlaganjem sprječit ćete potencijalne negativne posljedice na okoliš i zdravlje ljudi.

Informacije o zaštiti okoliša

Paket uključuje samo nužne komponente. Svaki napor je napravljen da bit tri sastavni komponenti paketa lako odvojili: karton (kutija), polistirenska pjena (zaštita unutra) i polietilen (vrećica, zaštitna folija). Uređaj je izrađen od materijala koje se može reciklirati i ponovo upotrijebiti nakon demontaže od strane specijalizirane tvrtke. Poštujte lokalne propise o raspolaganju iskorištenih ambalažnih materijala, baterija i nepotrebne opreme.

Snimanje i reprodukcija materijala može zahtijevati pristanak. Vidi Zakon o autorskim pravima i prava izvođača/umjetnika.

Napomena o ERP2 (oprema koja se odnosi na energiju)

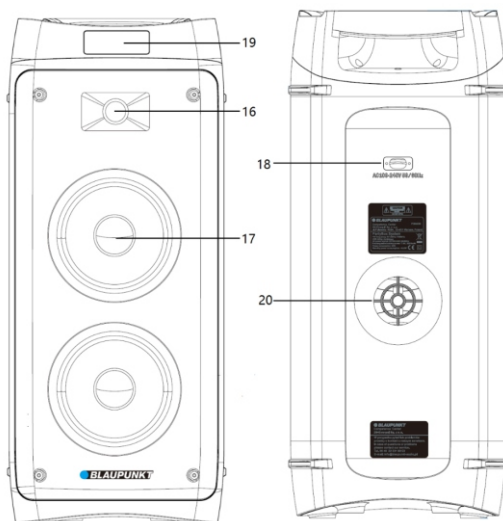
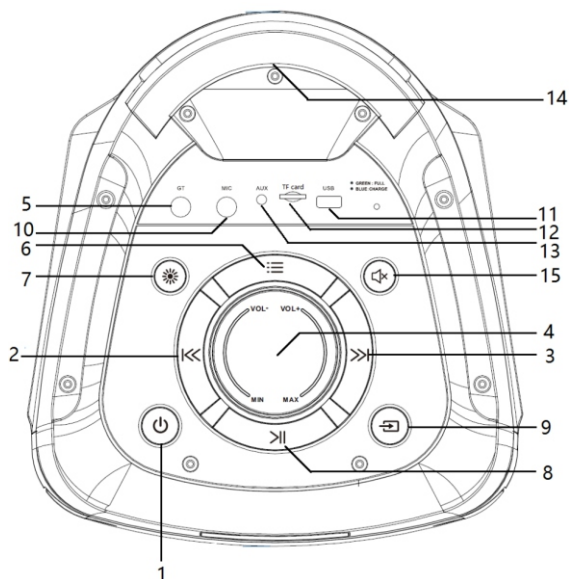
Ovaj ekodizajnirani uređaj zadovoljava zahtjeve 2. faze Uredbe Komisije (EZ) br. 1275/2008 kojom se provodi Direktivu 2009/125/EZ o potrošnji energije od strane isključenih i elektroničkih uređaja ili uređaja u modu čekanja za uredsku i kućnu uporabu.



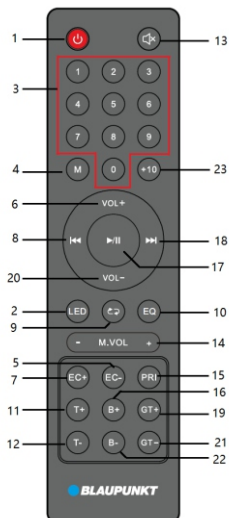
Vlasnik zaštitnog znaka i logotipa Bluetooth® je tvrtka Bluetooth SIG, Inc. USA. Upotreba tih znakova i logotipa podliježe licenciji. Ostali zaštitni znakovi i trgovački nazivi su u vlasništvu određenih vlasnika.

Zahvaljujemo na kupnji našeg uređaja. Prije rukovanja pažljivo pročitajte i upoznajte se s ovim uputama. Molimo da sačuvate upute za buduću upotrebu.

Upravljačka ploča



- 1-Tipka za uključavanje / isključavanje; 2,3- Prethodni / sljedeći; 4-Upravljanje jačinom zvuka; 5-Ulaza za gitaru;
 6-Tipka izbornika, pritisnite je nekoliko puta da biste izabrali postavke soprana/basa/glasnoće mikroфона/ehа
 mikroфона/soprana mikroфона/basa mikroфона/glasnoće gitare. 7-Disko rasvjeta; 8-Reprodukcija / pauza;
 9-Tipka izbora izvora; 10-Utičnica za ulaz bežičnog mikroфона; 11-USB port;
 12-MicroSD utičnica; 13-AUX IN ulaz; 14-Ručka;
 15-Tipka za prioritet mikroфона; 16-Visokotonski zvučnik; 17-Srednje-niskotonski zvučnik;
 18-Utičnica za napajanje izmjeničnom strujom; 19-Zaslon; 20-Bass-Reflex port;



Daljinski upravljač

- 1 - Tipka za uključivanje;
- 2- Tipka za uključivanje/isključivanje disko rasvjete;
- 3- Numeričke tipke;
- 4- Tipka za uključivanje/isključivanje funkcije nasumične reprodukcije
- 5,7 - Tipka za podešavanje Echo +/-
- 6,20- Tipke za podešavanje jačine zvuka +/-
- 8,18- Prethodni i sljedeći, tipka za kanal - / +;
- 9- Tipka za funkciju ponavljanja (ponavljanje jedne pjesme / ponavljanje cjeline / nasumična reprodukcija)
- 10- Equalizer EQ (flat/POP/Rock/Jazz/Classic)
- 11, 12- Tipke za podešavanje visokih tonova +/-
- 13- Tipka za isključivanje zvuka;
- 14- Tipke za podešavanje glasnoće mikrofona +/-
- 15- Tipka za prioritet mikrofona
- 16,22- Tipke za podešavanje niskih tonova +/-
- 17- Reprodukcija / pauza;
- 19, 21- Tipke za podešavanje razine glasnoće ulaza za gitaru GT +/-;
- 23- Tipka +10;

Priključivanje na napajanje: Molimo da provjerite odgovara li izvor napajanja specifikaciji nazivnog napona koja se nalazi na stražnjem panelu uređaja. Ako ne odgovara, onda kontaktirajte prodavača ili servisni centar.

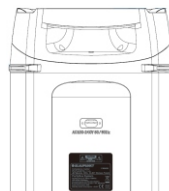
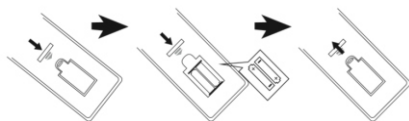
Umetnite ženski utikač kabla za napajanje u utičnicu uređaja, a zatim priključite utikač kabla za napajanje u zidnu utičnicu radi dobivanja izvora napajanja.

Punjenje baterije: ugrađena baterija omogućuje reprodukciju glazbe bez priključivanja na struju. LED dioda za punjenje, koja se nalazi na gornjoj ploči, svijetliti će crveno. Kad se punjenje završi, pokazatelj će promijeniti boju u zeleno. Baterija će se puniti čak i nakon isključivanja uređaja, ali uz dostupan izvor napajanja naizmjeničnom strujom. Vrijeme punjenja baterije iznosi 4 sata, dok vrijeme reprodukcije iznosi 3~5 —ovisno o jačini zvuka reprodukcije. Uređaj će se automatski isključiti u slučaju pražnjenja baterije; mora se napuniti za daljnje korištenje.

Napomena: U režimu pripravnosti (kratko pritiskanje tipke za napajanje na gornjoj ploči ili na daljinskom upravljaču) nakon 15 minuta početi će automatsko punjenje zbog zahtjeva eko projekta. Za hitno punjenje pritisnite i zadržite tipku za napajanje (isključite uređaj). Uređaj se tijekom reprodukcije glazbe može konstantno puniti.

Korištenje baterije:

1. Ako je baterija ispražnjena ili gotovo ispražnjena, potrebno ju je što prije napuniti. Ako se ne puni duže vrijeme, njezin se unutarnji kapacitet smanjuje, što onemogućuje potpuno punjenje ili skraćuje vrijeme rada.
2. Ako je potrebno zamijeniti bateriju, molimo da kontaktirate lokalni servis Blaupunkta.
3. Nemojte puniti bateriju duže od 24 sata. Prekomjerno pražnjenje ili punjenje skraćuje životni vijek baterije. Višekratno punjenje i pražnjenje skraćuje životni vijek baterije i vrijeme reprodukcije. Nemoguće je garantirati isto vrijeme reprodukcije tijekom korištenja baterije. Promjena životnog vijeka baterije nije osnova za zahtjeva na temelju jamstva.



Umetanje baterija daljinskog upravljača

Otvorite poklopac pretinca za baterije i umetnite 2 baterije tipa AAA (u kompletu). Provjerite jesu li baterije umetnute u skladu sa simbolima pozitivnog i negativnog polariteta otisnutim u pretincu. Zatim zatvorite poklopac pretinca za baterije.

Napomena:

- a. Najbolja je radna udaljenost daljinskog upravljača 5 metara bez ikakvih prepreka. Dok se koristi, senzor daljinskog upravljača usmerite prema prednjem dijelu uređaja.
- b. Osjetljivost daljinskog upravljača postajat će slabija zbog trošenja baterija. Istrošene baterije treba zamijeniti novima.
- c. Izvadite bateriju, ako se uređaj ne koristi dulje vrijeme.
- d. Baterije se moraju baciti na način koji je pogodan za okoliš. U tu svrhu upoznajte se sa zahtjevima lokalnih vlasti.

Opće rukovanje

1. Uključivanje / isključivanje: Duže pritiskanje (2 sekunde) tipke za napajanje na gornjoj ploči omogućuje uključivanje/isključivanje uređaja. Kratko pritiskanje tipke za napajanje na gornjoj ploči ili na daljinskom upravljaču omogućuje prebacivanje uređaja u režim pripravnosti. Preporučujemo potpuno isključivanje uređaja ako se ga ne koristi dulje vrijeme.

- 2. Izbor izvora reprodukcije:** Pritisnite tipku izbora izvora na gornjem panelu ili tipku za režim reprodukcije na daljinskom upravljaču da izaberete izvor reprodukcije između FM / Bluetooth / Line in / USB / microSD.
- 3. Podešavanje jačine zvuka:** Otkrenite tipku za podešavanje jačine zvuka na gornjem panelu ili pritisnite tipku VOL +/- na daljinskom upravljaču da biste pojačali ili smanjili jačinu zvuka.
- 4. Podešavanje visokih i niskih tonova:** prvo kratko pritisnite tipku izbornika na gornjoj ploči, okrenite gumb za jačinu zvuka da biste podesili razinu visokih tonova; na zaslonu će se pojaviti odgovarajuća brojka koja informira o razini visokih tonova. Ponovno pritisnite tipku za podešavanje visokih/niskih tonova da biste prešli na podešavanje basova. Ista je funkcija dostupna ako pritisnete tipku za visoke tonove +/- na daljinskom upravljaču.
- 5. Isključivanje zvuka:** Pritiskanje na tipku MUTE na gornjem panelu ili na daljinskom upravljaču isključuje zvuk; ponovno pritiskanje na tu tipku uključuje zvuk na ranije podešenoj razini.
- 6. Korektor EQ:** nekoliko puta pritisnite tipku EQ na daljinskom upravljaču da biste izabrali režim korektora između: FLAT/POP/ROCK/JAZZ/CLASSIC.
- 7. Reprodukcijska / pauza:** pritisnite tipku za reprodukciju / pauzu da biste obustavili ili ponovno pokrenuli reprodukciju glazbe u režimu Bluetooth / USB/microSD.
- 8. Ponavljanje i nasumična reprodukcija:** Pritišćite tipku za ponavljanje da biste izabrali reprodukciju glazbe u režimu ponavljanja jedne pjesme/ponavljanja cjeline/nasumične reprodukcije.
- 9. Rasvjeta:** nekoliko puta pritisnite tipku za rasvjetu da biste mijenjali funkciju rasvjete i izabrali jedan od osam efekta ili da biste ih isključili.
- 10. Numeričke tipke i tipka +10+:** pritisnite numeričke tipke da biste izabrali određeni broj pjesme u režimu reprodukcije USB/microSD ili promijenili broj programirane radio stanice u FM režimu. Pritisnite tipku +10 da biste brzo izabrali pjesmu za 10 pjesama dalje.
- 11. Prethodna/sljedeća:** kratko pritisnite odabranu tipku da biste izabrali prethodnu ili sljedeću pjesmu u režimu reprodukcije Bluetooth/USB/microSD.
- 12. Korištenje tipke izbornika:** to je višenamjenska tipka, pritisnite je nekoliko puta da biste prešli u postavke soprana/basa/glasnoće mikrofona/eha/visokih tonova mikrofona/niskih tonova mikrofona/glasnoće gitare; zatim odmah okrenite gumb za glasnoću da biste postavili odgovarajuću glasnoću. Pričekajte trenutak za izlazak iz postavki. (Informacije na zaslonu: TE= razina soprana, BS= razina basa, CU= glasnoća mikrofona, EC= eho, T= visoki tonovi mikrofona, B= niski tonovi mikrofona, GE= gitara)

Rukovanje FM radijom

Prije slušanja FM radija uređaj stavite pokraj prozora za bolji prijem signala FM. Uređaj ima ugrađenu unutarnju antenu za prijem FM-a.

- 1. Automatsko traženje i programiranje radio stanica (automatski režim):** kratko pritiskanje na tipku za reprodukciju / pauzu na gornjem panelu ili pritiskanje na tipku za pretraгу na daljinskom upravljaču pokreće režim automatskog traženja i spremanja dostupnih radio stanica. Nakon traženja, uređaj će automatski pokrenuti reprodukciju prve programirane stanice. (Maksimalni podržavani broj programiranih stanica: 40)
- 2. Izbor radio stanica:** u režimu radija pritisnite tipku sljedeći / prethodni na gornjem panelu ili daljinskom upravljaču da biste izabrali i slušali prethodnu ili sljedeću programiranu stanicu. Možete i brzo odabrati programiranu stanicu unošenjem njezinog broja pomoću numeričkih tipki na daljinskom upravljaču.
- 3. Ručno podešavanje:** pritisnite i pridržite 2 sekunde tipku prethodni / sljedeći da biste detektirali sljedeću stanicu prema gore ili prema dolje i automatski počeli slušati stanicu. Unesite broj frekvencije radio stanice pomoću numeričkih tipki na daljinskom upravljaču i pričekajte trenutak –uređaj će pronaći i reproducirati željenu radio stanicu.

Reprodukcija USB/microSD

Uređaj ima funkciju reprodukcije USB/microSD, koja može dekodirati i reproducirati glazbu s prijenosnih USB/microSD memorija. Prije reprodukcije, kopirajte glazbu MP3/WMA u prijenosnu memoriju; umetnite memoriju u uređaj jer je funkcija reprodukcije USB/microSD dostupna samo ako je memorija pravilno priključena. Zatim će uređaj automatski detektirati i reproducirati datoteke MP3/WMA.

Izbor pjesme: kratko pritisnite tipku prethodni/sljedeći da biste izabrali prethodnu ili sljedeću pjesmu; pritisnite i pridržite tipku za prematavanje da biste prematali trenutno reproduciranu pjesmu prema naprijed, pustite tipku da biste nastavili s reprodukcijom pjesme.

U režimu USB/microSD dostupne su sljedeće funkcije: reprodukcija / pauza, isključivanje zvuka, ponavljanje, ekvilizator, podešavanje visokih / niskih tonova/funkcija +10 i sl. Detaljne informacije nalaze se u točki „Opće rukovanje“ ovih uputa.

Napomene:

- a) Ne preporučuje se priključivanje USB memorije pomoću produžnog USB kabla jer to može negativno utjecati na kvalitetu reprodukcije i izazivati buku ili isprekidan zvuk zbog gubitka audio podataka tijekom slanja datoteka.
- b) Ne garantira se dekodiranje i reprodukcija svih pjesama u MP3/WMA/WAV/FLAC formatu.
- c) Uređaj podržava memoriju maksimalnog kapaciteta od 32 GB.
- d) Automatska reprodukcija nekih USB/microSD memorija može trajati malo duže s obzirom na tip i proizvođača; treba imati na umu da to nije kvar.

Korištenje Bluetootha

Ovaj proizvod ima Bluetooth funkciju koja omogućuje bežičnu reprodukciju glazbe s drugog Bluetooth uređaja (kao što je pametni telefon, tablet i sl.).

1. Nekoliko puta pritisnite tipku izboru izvora da biste izabrali režim Bluetooth, a simbol Bluetooth će treperiti na zaslonu, što znači da je uređaj spreman za povezivanje.
2. Uključite funkciju Bluetooth na vanjskom uređaju i potražite dostupne uređaje (upoznajte se s uputama za upotrebu vanjskog uređaja), a zatim provjerite dostupne Bluetooth uređaje na popisu. Označite "BP PB06" za povezivanje, a simbol Bluetooth će biti neprekidno upaljen nakon uspješnog povezivanja.
3. Izaberite i reproducirajte glazbu s vanjskog Bluetooth uređaja –zvuk će se reproducirati pomoću zvučnika na ovom uređaju.
4. Pritisnite tipku prethodni / sljedeći da biste izabrali posljednju i sljedeću pjesmu za reprodukciju.
5. U režimu Bluetooth dostupna je funkcija reprodukcija / pauza, isključivanje zvuka, ekvilizator, podešavanje niskih i visokih tonova. Detaljne informacije nalaze se u točki „Opće rukovanje“ ovih uputa.

Napomene:

- Ne možemo garantirati pravilno povezivanje za svim Bluetooth uređajima zbog različitih projekata i marki.
- Radna udaljenost Bluetooth je 10 metara bez ikakvih prepreka.
- Uređaj se može istodobno povezivati i raditi s jednim Bluetooth uređajem.
- U slučaju dolaznog poziva za vrijeme Bluetooth reprodukcije glazba će se na trenutak zaustaviti i ponovno pokrenuti nakon završetka telefonskog razgovora.
- Duže pritisnite tipku za reprodukciju/pauzu na gornjoj ploči da biste prekinuli trenutnu vezu s Bluetooth uređajem i uspostavili vezu s drugim uređajem.

Funkcija bežičnog sterea Bluetooth TWS (True Wireless Stereo): Zvučnik ima funkciju bežičnog sterea TWS tijekom Bluetooth reprodukcije. Funkcija je dostupna za dva zvučnika koja su u Bluetooth režimu. Prilikom prvog pokretanja funkcije bežičnog sterea izaberite jedan od zvučnika kao glavnu jedinicu. Zatim dugo držite (3 sekunde) tipku „mode“ na njegovom gornjem panelu da biste povezali glavni zvučnik s drugim dostupnim zvučnikom. Nakon uspješnog uparivanja TWS zvučnik će emitirati kratki zvuk. Zaslom podređenog zvučnika konstantno će prikazivati obavijest „SLAU“, dok će na zaslonu glavnog zvučnika treperiti obavijest „BLUE“. Zatim možete započeti uparivanje i korištenje Bluetootha, a zvuk će se istodobno reproducirati na oba zvučnika. U slučaju promjene režima reprodukcije u FM/microSD/USB ili AUX na glavnom zvučniku, zvuk će se i dalje reproducirati na oba povezana zvučnika. Prilikom prvog uparivanja TWS iz zvučnika se mogu emitirati kratki zvuci „sa sa sa...“ što nije kvar.

U režimu reprodukcije TWS sve su postavke dostupne na glavnom zvučniku. Neke funkcije nisu dostupne na podređenom zvučniku –imate na umu da to nije kvar. Ako se zvučnik isključi, reprodukcija TWS se zaustavlja. U slučaju isključivanja/uključivanja režima pripravnosti, isključivanja/uključivanja zvučnika, duže (3 sekunde) zadržite tipku za režim reprodukcije da biste ponovno uparili zvučnike u režimu TWS-a. Ponovno duže pritisnjanje tipke za režim reprodukcije prekida vezu između zvučnika u režimu TWS.

Rad u AUX IN

Da biste priključili i reproducirali glazbu iz drugog playera ili uređaja, slijedite sljedeće upute: Koristeći audio kabele (u kompletu) spojite utičnicu AUX IN na gornjem panelu uređaja s linijskim izlazom ili utičnicom za slušalice playera kao što je MP3, CD, DVD player, mikser i sl. Zatim izaberite i reproducirajte glazbu na vanjskom playeru, a zvuk će se reproducirati pomoću ovog uređaja.

U režimu AUX-IN reprodukcijom se upravlja s vanjskog playera. Na tom uređaju možete podešavati jačinu zvuka, isključiti zvuk i podešavati razinu basova i soprana.

Karaoke

Otvorite poklopac za baterije bežičnog mikrofona (u kompletu), umetnite 2 suhe baterije AA (nisu u kompletu) u skladu s utisnutim u pretincu za baterije simbolom za pozitivni i negativni polaritet, a zatim zatvorite poklopac za baterije mikrofona. Da biste uključili mikrofonski, stavite prekidač u položaj uključivosti. Nakon nekoliko sekundi, zvučnik će se automatski povezati s bežičnim mikrofonom. Na gornjem panelu podesite adekvatnu jačinu izlaznog zvuka mikrofona, a zatim počnite pjevati. Uređaj ima i ulaznu utičnicu za žičani mikrofonski, umetnite utikač žičanog mikrofona (nije u kompletu) u utičnicu 6,5 mm, a zatim uključite mikrofonski dok ga ne možete pjevati.

Porady:

- Postavljanje glasnoće mikrofona/eha/visokih tonova mikrofona/niskih tonova mikrofona: nekoliko puta pritisnite tipku izbornika da biste prešli u postavke soprana/basa/glasnoće mikrofona/eha/visokih tonova mikrofona/niskih tonova mikrofona/glasnoće gitare; zatim odmah okrenite gumb za glasnoću da biste podesili odgovarajuću glasnoću. Pričekajte trenutak za izlazak iz postavki. (Informacije na zaslonu: TE= razina soprana, BS= razina basa, CU= glasnoća mikrofona, EC= eho, T= visoki tonovi mikrofona, B= niski tonovi mikrofona, GE= gitara)
- Zvučnik može emitirati buku ili deformirati zvuk, ako su jačina zvuka, postavke basova i soprana ili funkcija eha na previsokoj razini. To nije kvar. Treba smanjiti gore navedene postavke, a zatim uključiti ili isključiti mikrofonski.
- Možete koristiti funkciju karaoke i slušati glazbu u isto vrijeme; ako želite pojačati karaoke i smanjiti jačinu glazbe u pozadini, pomoću odgovarajućih tipki možete posebno podešavati jačinu zvuka mikrofona i jačinu zvučnika.
- Isključite mikrofonski dok ga stavljate blizu zvučnika jer to izaziva jaku buku.
- Na kućištu bežičnog mikrofona nalazi se tipka za smanjivanje jačine zvuka kojom smanjujete jačinu zvuka mikrofona.
- U tom modelu dostupna je funkcija prioriteta mikrofona. Ako aktivirate ovu funkciju na daljinskom upravljaču, zvuk mikrofona će se na zvučniku reproducirati kao prvi (glazba će se stišati); reprodukcija glazbe u pozadini ponovo će se automatski aktivirati kad završite s korištenjem mikrofona.
- Moguće je istodobno korištenje bežičnog mikrofona i mikrofona s kablom.

Ulaz za gitaru: Na uređaj se može priključiti glazbeni instrument kao što je gitara, pomoću utičnice za gitaru 6,3 mm na gornjoj ploči. U tu svrhu koristite dodatni kabele (nije u kompletu). Nekoliko puta kratko pritisnite tipku izbornika na gornjoj ploči da biste promijenili postavke glasnoće gitare (prikazane informacije GE odnose se na gitaru); zatim odmah okrenite gumb za glasnoću da biste podesili odgovarajuću razinu. Pričekajte trenutak za izlazak iz postavki. Zvuk gitare reproducirat će se pomoću zvučnika. Jačinu zvuka gitare možete podesiti i pomoću tipke GT +/GT na daljinskom upravljaču.

Rješavanje problema

- Zvučnik se ne uključuje
 - Provjerite je li napajanje pravilno priključeno.
- Nema zvuka
 - Pokušajte podesiti tipku za jačinu zvuka i provjerite izvor reprodukcije.
 - Kontaktirajte servisni centar ako ne uspijete riješiti problem.

3. Deformacija zvuka

- a. Probajte prilagoditi i reproducirati glazbu s manjom jačinom zvuka.
- b. Provjerite regulaciju visokih / niskih tonova.

4. Šumovi tijekom slušanja FM radija

- a. Premjestite uređaj na drugo mjesto za bolji prijem signala.
- b. Uključite ponovno traženje ili promijenite stanicu.

Specifikacija

Izvor napajanja: AC 110-240V, 50/60 Hz.

Napajanje baterijom: 7,4V/5000mAH

Frekvencija FM: 87,5-108,0 MHz.

USB priključak: 5 V, 500 mA, inačica 2.0, podržava masovne memorije do 32 GB.

microSD kartica: podržavaju se nosači zvuka do 32 GB.

USB / microSD kartice podržavaju glazbene formate: MP3, WMA, WAV, FLAC (reprodukcija svih datoteka tog tipa nije garantirana)

Bluetooth: V5,0, radna udaljenost do 10 m

Izlazna snaga RMS: 2 x 20W.

Mikrofon: ulaz 1 x 6,5 mm, priključivanje bežičnog mikrofona.

2 x bežični mikrofon (frekvencija: 208,8 MHz, 215MHz, izvor napajanja: 2 x 1,5 V, AA)

Potrošnja energije: 40W

1 x ulaz za gitaru

Potrošnja energije u stanju pripravnosti: <0.5W.

(Gore navedena specifikacija može se promijeniti bez prethodnog obavještenja).

INSTRUCȚIUNI IMPORTANTE REFERITOARE LA SIGURANȚĂ



Avertisment:

Pentru a diminua riscul de electrocutare, nu demontați capacul sau partea din spate a dispozitivului. În interiorul dispozitivului nu există elemente care să poată fi reparate de utilizator. De mentenanță și reparația echipamentului se ocupă exclusiv angajații calificați ai service-ului.

Explicarea simbolurilor grafice:



Simbolul fulgerului terminat cu o săgeată, plasat într-un triunghi echilateral, avertizează utilizatorul împotriva unei „tensiuni periculoase” neizolate în carcasa dispozitivului, care poate atinge dimensiunea pericolului de electrocutare.



Semnul exclamării într-un triunghi echilateral avertizează utilizatorul că în acest moment sunt prezentate informații importante referitoare la operarea și mentenanța echipamentului în documentația anexată la dispozitiv.

Rugăm să citiți aceste instrucțiuni înainte de a trece la operarea dispozitivului, să vă familiarizați cu funcțiile acestuia și să le folosiți conform destinației. Acest lucru va asigura o operare de lungă durată și fără avarii a dispozitivului, precum și plăcerea de a-l utiliza.

Informații importante

- Instrucțiunile de operare și informațiile referitoare la siguranță trebuie păstrate în scopul folosirii lor în viitor.
- Nu permiteți ca pe dispozitiv să picure sau să se verse vreun lichid.
- Nu îl folosiți în locuri umede, cum ar fi de ex. sala de baie.
- Dispozitivul nu poate fi montat în următoarele locuri:
- Expus la lumina directă a soarelui sau în apropierea caloriferelor.
- Plasat deasupra unui alt dispozitiv stereofonic care emite căldură.
- Blocând ventilația sau într-un loc prăfuit.
- În locuri expuse la vibrații constante.
- În locuri cu umiditate ridicată.
- Nu așezați dispozitivul în apropierea lumânărilor sau a focului deschis.
- Dispozitivul poate fi folosit exclusiv în modul descris în instrucțiunile de mai jos.
- Înainte de prima pornire, asigurați-vă că sursa de alimentare este conectată în mod corespunzător.
- Stick-urile USB se conectează direct sau folosind un prelungitor USB cu lungime de până la 25 cm.

Din motive de securitate, nu demontați carcasa și nu încercați să accezați interiorul dispozitivului. Dispozitivul trebuie reparat de personalul calificat din service.

Nu demontați și nu deschideți carcasa, deoarece în interior nu există elemente ce ar putea fi reparate de utilizator. De mentenanță și repararea echipamentului se ocupă exclusiv angajații calificați ai service-ului.

INSTRUCȚIUNI REFERITOARE LA SIGURANȚĂ

1. Citiți instrucțiunile – înainte de utilizarea dispozitivului, citiți în întregime instrucțiunile de utilizare, precum și informațiile referitoare la siguranță.
2. Urmați instrucțiunile – păstrați instrucțiunile de utilizare și operare în scopul folosirii lor în viitor.
3. Respectați avertismentele – procedați conform tuturor avertismentelor plasate pe dispozitiv, precum și conform instrucțiunilor de utilizare.
4. Urmați instrucțiunile – procedați conform instrucțiunilor de operare și indicațiilor pentru utilizator.
5. Instalare – setați dispozitivul conform instrucțiunilor producătorului.
6. Surse de alimentare – dispozitivul trebuie alimentat exclusiv de la surse cu parametrii indicați în marjele de pe cablu de alimentare. Dacă utilizatorul nu este sigur de tipul de alimentare de care dispune acasă, trebuie să contacteze vânzătorul dispozitivului sau furnizorul local de energie electrică.
7. Împământarea sau polarizarea alimentării – dispozitivul nu trebuie să fie împământat. Trebuie să vă asigurați că ștecherul este introdus complet în priză sau în prelungitor pentru a nu permite expunerea bolțurilor sau a contactelor. Unele versiuni ale dispozitivului pot fi echipate cu ștecher polarizat de curent alternativ (cu un singur bolț mai larg). Acest ștecher poate fi introdus în priză de rețea doar într-un singur mod. Aceasta este o funcție de protecție. Dacă ștecherul nu poate fi introdus în priză, trebuie încercată rotirea acestuia. Dacă ștecherul în continuare nu se potrivește la priză, trebuie solicitată înlocuirea acestui ștecher de către un electrician. Nu scoateți elementele de protecție din ștecherul polarizat. Când utilizați un prelungitor sau un cablu de alimentare altul decât cel furnizat împreună cu dispozitivul, acestea trebuie să aibă șteherele corespunzătoare, precum și atestatul de securitate necesar în țara dată.
8. Protecția cablului de alimentare – cablurile de alimentare trebuie plasate astfel încât să nu poată fi călcate, presate sau tăiate de obiectele din jur. Acordați o atenție deosebită ștecherelor, prizelor de rețea și locurilor în care cablurile sunt direcționate de la dispozitiv.
9. Supraîncărcare – Nu supraîncărcați prizele de perete, prelungitoarele și repartitoarele electrice, deoarece acest lucru poate provoca incendii sau electrocutări.
10. Ventilație – dispozitivul trebuie să fie corect ventilat. Dispozitivul nu poate fi pus pe pat, sofa sau suprafețe similare. Nu acoperiți dispozitivul cu fețe de masă, șervețele, ziare, ș.a..
11. Căldură – nu plasați dispozitivul în apropierea unor surse de căldură, precum calorifere, radiatoare, sobe sau alte dispozitive (de asemenea amplificatoare) care generează căldură. Nu puneți pe dispozitiv lumânări aprinse și alte surse de foc deschis.

12. Apă și umezeală – pentru a reduce riscul de incendiu sau electrocutare, nu expuneți dispozitivul la ploaie, apă și umiditate directă, ca de ex. în saună sau baie. Nu folosiți dispozitivul în apropierea apei, de exemplu lângă cadă, lavoar, chiuveta de bucătărie, într-o piniță umedă sau în apropierea unei piscine (sau în locuri similare).
13. Obiecte și lichide în dispozitiv – nu trebuie forțate niciun fel de obiecte prin deschiderile dispozitivului, deoarece acestea pot să intre în contact cu punctele de tensiune periculoasă și cu componentele, ceea ce poate provoca incendiu sau electrocutare. În niciun caz nu vărsați niciun fel de lichide pe suprafața dispozitivului. Nu puneți pe suprafața dispozitivului obiecte ce conțin lichide.
14. Curățarea – scoateți întotdeauna dispozitivul din priză înainte de curățare. Praful din jurul difuzorului poate fi îndepărtat cu o cârpă uscată. Dacă se utilizează un aerosol pentru curățare, nu îndreptați jetul de pulverizare direct spre dispozitiv, ci spre cârpă. Aveți grijă să nu deteriorați unitățile de comandă.
15. Echipare suplimentară – nu folosiți accesorii care nu sunt aprobate de producător, deoarece pot constitui un pericol.
16. Accesorii – nu așezați dispozitivul pe un cărucior, postament, stativ, suport sau masă instabile. Dispozitivul se poate răsturna sau deteriora și poate provoca vătămări grave copiilor sau persoanelor adulte. Folosiți numai cărucioare, postamente, stativ, suporturi și mese specificate de producător sau vândute împreună cu dispozitivul. Montarea dispozitivului trebuie efectuată în conformitate cu instrucțiunile producătorului, folosind setul de montaj recomandat de producător.
17. Mutarea dispozitivului – dispozitivul plasat pe cărucior trebuie deplasat cu multă grijă. Oprirea bruscă, forța prea mare sau suprafețele neuniforme pot provoca răsturnarea căruciorului împreună cu dispozitivul.
18. Perioada de nefolosire a dispozitivului – cablul de alimentare al dispozitivului trebuie deconectat de la priza de rețea în timpul furtunilor cu descărcări atmosferice sau când dispozitivul nu va fi folosit pentru o perioadă mai lungă de timp.
19. Servisare – nu încercați să serviți singur dispozitivul. Deschiderea capacului poate duce la contactul cu o tensiune periculoasă și poate expune utilizatorul la alte pericole. De mentenanța și repararea echipamentului se ocupă exclusiv angajații calificați ai service-ului.
20. Când dispozitivul nu este utilizat, ștecherul de alimentare trebuie deconectat de la priza de rețea. Când dispozitivul este conectat la sursa de alimentare, se află în regim de stand by și nu este complet închis.
21. Piese de schimb – la înlocuirea pieselor, trebuie verificat dacă angajatul service-ului a folosit piesele de schimb recomandate de producător sau dacă aceste piese sunt identice cu cele originale. Înlocuirea cu piese neaprobate poate duce la incendii, electrocutare sau alte pericole.
22. Siguranțele principale – pentru a proteja în mod continuu dispozitivul împotriva incendiului, trebuie folosite siguranțe de tip și parametri corecți. Parametrii siguranțelor în acest interval sunt marcați pe dispozitiv.
23. Nu măriți volumul când ascultați o parte dintr-un cântec înregistrat cu volum redus sau în cazul lipsei semnalului audio de început. În caz contrar se poate ajunge la deteriorarea difuzorului în momentul creșterii rapide a intensității semnalului.
24. Singurul mod de a deconecta complet dispozitivul de la sursa de alimentare este deconectarea cablului de alimentare din priza de alimentare sau din dispozitiv. Priza de rețea sau intrarea cablului de alimentare în dispozitiv trebuie să fie mereu accesibile în timpul utilizării produsului.
25. Dispozitivul trebuie amplasat în apropierea unei prize de perete sau a unui cablu prelungitor și astfel încât să fie mereu accesibil.
26. Temperatura maximă ambiantă pentru dispozitiv este de 35°C.
27. Instrucțiuni referitoare la descărcările electrostatice – dacă funcționarea dispozitivului este perturbată de descărcări electrostatice, acesta trebuie oprit și repornit sau mutat în alt loc.
28. Bateria
 - a. Bateriile nu pot fi expuse la căldură excesivă, cum ar fi razele de soare, foc, ș.a.
 - b. Când aruncați bateriile, acordați atenție aspectelor legate de protecția mediului.
 - c. Avertisment referitor la folosirea bateriei: pentru a nu permite pierderea etanșeității bateriei, ceea ce poate provoca vătămări corporale sau deteriorare a dispozitivului:
 - În timpul introducerii bateriei, respectați polaritatea acesteia (+ și -).
 - Nu folosiți în același timp baterii diferite — vechi și noi, baterii standard și alcaline, ș.a.
 - Scoateți bateriile din dispozitiv, atunci când acesta nu este folosit pentru o perioadă mai lungă.

ATENȚIE

Dispozitivul nu trebuie folosit de persoanele (inclusiv copiii) cu capacități fizice, senzoriale sau mentale reduse, precum și de persoanele cu cunoștințe și experiență insuficiente, în cazul în care nu se află sub supravegherea unei persoane responsabile pentru siguranța lor și nu au fost instruite cum să folosească dispozitivul în condiții de siguranță. Prezența persoanelor adulte este necesară, dacă dispozitivul este folosit de copii; aceasta va permite o folosire în condiții de siguranță a dispozitivului.

1. Nu lăsați dispozitivul nesupravegheat în timpul funcționării! Dispozitivul trebuie închis când nu este folosit, chiar și pentru o perioadă scurtă de timp.
2. Dispozitivul nu poate fi folosit prin intermediul unui temporizator extern și nici cu ajutorul unui sistem separat cu comandă de la distanță.
3. Pentru evitarea pericolului în cazul deteriorării cablului de alimentare, înlocuirea trebuie efectuată de producător, de punctul autorizat de service sau de o altă persoană calificată în acest sens.
4. Înainte de a începe deservirea dispozitivului, trebuie verificat dacă tensiunea acestuia corespunde tensiunii din rețeaua locală de alimentare.
5. Nu acoperiți orificiile de ventilație ale dispozitivului cu zăbre, fețe de masă, draperii, ș.a. Trebuie să vă asigurați că deasupra dispozitivului există cel puțin 20 cm de spațiu liber, iar pe fiecare parte a acestuia – cel puțin 5 cm.
6. Nu permiteți ca pe dispozitiv să picure sau să se verse vreun lichid, nu plasați pe acesta obiecte pline cu lichid, cum ar fi vasele.
7. Pentru a evita incendiile sau electrocutarea, dispozitivul trebuie protejat împotriva locurilor fierbinți, ploii, umezelii și prafului.
8. Nu așezați dispozitivul în apropierea oricărei surse de apă, de ex. robinete, căzi, mașini de spălat sau piscine. Dispozitivul trebuie plasat pe o suprafață dreaptă și stabilă.
9. Nu expuneți dispozitivul la câmpuri magnetice puternice.

10. Nu așezați dispozitivul direct pe amplificator sau amplituner.
11. Nu așezați dispozitivul într-un loc umed, deoarece umiditatea are efect dăunător asupra componentelor electrice.
12. După mutarea dispozitivului dintr-un loc rece către un loc cald sau un loc umed, se poate forma condens pe lentila din interiorul playerului. În această situație dispozitivul nu va funcționa corect. Lăsați dispozitivul să funcționeze aproximativ o oră pentru a permite evaporarea umidității.
13. Nu curățați dispozitivul cu solvenți chimici, deoarece aceștia pot distruge lacul carcasi. Dispozitivul se curăță cu o cârpă curată, uscată sau ușor umezită.
14. Când scoateți ștecherul din priză, trageți întotdeauna de ștecher, niciodată de cablul de alimentare.
15. Când dispozitivul pornit este folosit în apropierea televizorului care funcționează, acesta poate fi o sursă de interferență în imagine, sub forma de linii pe ecran. Aceasta depinde de benzile de unde ale transmisiei tv. Aceasta nu înseamnă o funcționare defectuoasă a dispozitivului sau televizorului. Dacă astfel de linii sunt vizibile, dispozitivul trebuie îndepărtat de televizor.
16. Ștecherul de rețea este folosit pentru deconectarea de la tensiunea de alimentare și trebuie să fie mereu accesibil.
17. Pentru a preveni eventuala pierdere de auz, nu ascultați muzică la volum ridicat pentru perioade lungi de timp.



ATENȚIE



Declarație

Prin prezenta Blaupunkt Competence Center 2N-Everpol Sp. z o.o. [SRL] declara că acest dispozitiv este în conformitate cu cerințele și alte dispoziții corespunzătoare ale directivei 2014/53 / UE. Declarația completă de conformitate poate fi obținută pe pagina www.blaupunkt.com în secția produsului.

Entitate responsabilă: 2N-Everpol Sp. Z o.o.
Puławska 403A, 02-801 Varșovia, Polonia
Telefon: +48 22 688 08 00, e-mail: info@everpol.pl



Produsul a fost realizat din materiale și componente de înaltă calitate, ce pot fi reciclate și reutilizate.



Dacă pe dispozitiv există un semn de gunoi tăiat cu roți, înseamnă că produsul este acoperit de prevederile Directivei Europene 2012/19/UE. Pe baza acestui lucru, vă rugăm să respectați reglementările locale și să vă familiarizați cu cerințele pentru sistemul dvs. local de colectare a deșeurilor electrice și electronice și, în cazul acestui produs, să le respectați.

NU ARUNCAȚI ACEST PRODUS CU DEȘEURUL MENAJAR!

ACEST PRODUS CONȚINE SUBSTANȚE, AMESTECURI ȘI COMPONENTE PERICULOASE CARE, DACĂ NEAUTORIZATE, POT FI O SURSA DE EFECȚE POTENȚIALE ASUPRA MEDIULUI NATURAL ȘI A SĂNĂTĂȚII UMANE!

Eliminarea corectă a produsului folosit va preveni efectele negative asupra mediului și sănătății umane.



Dispozitivul este echipat cu baterii care fac obiectul directivei europene 2006/66/EC. Bateriile nu pot fi aruncate împreună cu deșeurile menajere. Consultați reglementările locale privind colectarea separată a bateriilor, deoarece eliminarea corectă va împiedica potențialele consecințe negative pentru mediul natural și sănătatea umană.

Informații privind protecția mediului înconjurător

Ambalajul conține doar elementele necesare. S-au făcut toate eforturile ca cele trei materiale componente ale ambalajului să fie ușor de separat: cutia de carton (cutia), spuma de polistiren (protecție interioară) și polietilena (pungi, folie protectoare).

Dispozitivul a fost produs din materiale ce pot fi reciclate și reutilizate după demontarea lor de către o firmă specializată. Trebuie respectate reglementările locale referitoare la eliminarea materialelor de ambalare, bateriilor folosite și a echipamentelor inutile.

Înregistrarea și redarea materialelor poate necesita obținerea unei autorizații. Consultați legea referitoare la drepturile de autor și drepturile executanților / artiștilor.

Remarcă referitoare la ERP2 (dispozitive legate de energie)

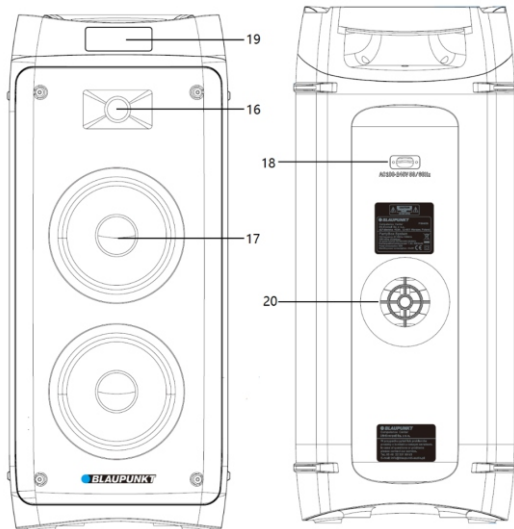
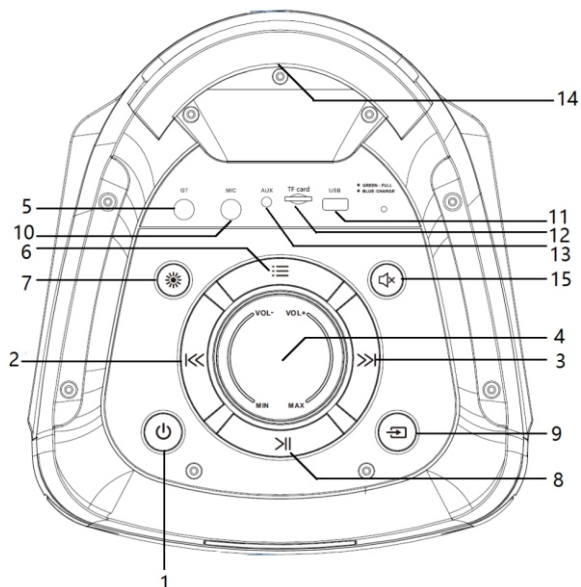
Prezentul dispozitiv cu ecoproiect îndeplinește cerințele etapei 2 din Regulamentul Comisiei (CE) nr 1275/2008 care introduce directiva 2009/125/CE referitoare la consumul de energie al dispozitivelor electronice de birou și de uz casnic, închise sau aflate în regim de stand by.



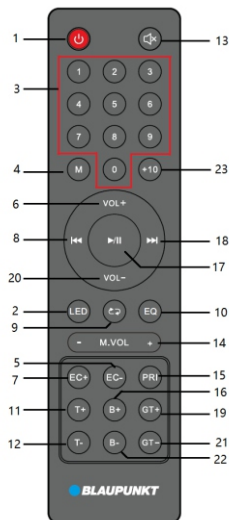
Proprietarul mărcilor comerciale și siglei Bluetooth® este compania Bluetooth SIG, Inc. USA. Folosirea acestor mărci și sigle este supusă unei licențe. Alte mărci și denumiri comerciale aparțin respectivelor proprietari.

Vă mulțumim pentru achiziționarea dispozitivului nostru. Înainte de a trece la utilizare, citiți cu atenție prezentele instrucțiuni. Vă rugăm, să păstrați instrucțiunile pentru o utilizare ulterioară.

Panou de comandă



- | | | | |
|--|--|-------------------------------------|--|
| 1-Comutator pornire / oprire; | 2,3-Precedent / următor; | 4-Reglare volum; | 5-Intrare pentru chitară; |
| 6-Tasta meni, apăsați-o de câteva ori pentru a comuta la setări de soprană/bas/volum microfon/ecou microfon/soprană microfon/bas microfon/volum chitară. | 7-Illuminat disco; | 8-Redare / pauză; | 11-Port USB; |
| 9-Buton de selectare a sursei; | 10-Mufă de intrare pentru microfon cu fir; | 12-Slot pentru carduri microSD; | 13-Intrare AUX IN; |
| 14-Mâner; | 15-Mod mut; | 16-Difuzor pentru frecvențe înalte; | 17-Difuzor pentru frecvențe medii-joase; |
| 18-Priză pentru cablu de alimentare AC; | 19-Afișaj; | 20-Port Bass-Reflex; | |



Telecomandă

- 1 - Buton alimentare;
- 2 - Buton pornire/oprire iluminatul disco;
- 3 - Butoane numerice;
- 4 - Buton de activare/dezactivare a funcției de reproducere aleatorii
- 5,7 - Butoane de reglare Ecou +/-;
- 6,20 - Butoane de reglare volum sunet +/-;
- 8,18 - Anterior și următor, buton canal - / +;
- 9 - Butonul funcției de repetare (repetarea unei singure piese/repetarea tuturor pieselor/ redare aleatorii);
- 10 - Equalizer EQ (flat/POP/Rock/Jazz/Classic)
- 11, 12 - Butoane de reglare a tonalităților înalte +/-;
- 13 - Buton mut;
- 14 - Butoane pentru reglarea volumului microfonului +/-;
- 15 - Buton prioritate microfon;
- 16,22 - Butoane de reglare a tonalităților joase +/-;
- 17 - Redare / pauză;
- 19,21 - Butoane de reglare a nivelului volumului intrării pentru chitară GT +/-;
- 23 - Buton +10;

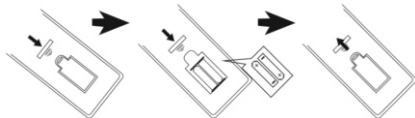
Conectarea alimentării: Verificați dacă sursa de alimentare corespunde specificației de tensiune de pe panoul din spate al dispozitivului. Dacă nu corespunde, contactați distribuitorul sau centrul de service. Introduceți fișa mamă a cablului de alimentare în priză de pe dispozitiv și apoi conectați cablul de alimentare într-o priză de perete pentru a obține o sursă de alimentare.

Încărcarea bateriei: bateria încorporată vă permite să redați muzică fără conectarea la rețeaua de curent electric. Când bateria se încarcă, LED-ul de încărcare, aflat pe panoul superior, va fi aprins în roșu. Când este încărcat complet, indicatorul va deveni verde. Bateria va fi încărcată chiar și atunci când aparatul este oprit, dar cu o sursă de alimentare AC disponibilă. Timpul de încărcare a bateriei este de 4 ore, iar timpul de redare este de 3~5 ore, în funcție de nivelul volumului de redare. Dispozitivul se va opri automat în cazul în care bateria este descărcată, va trebui încărcat pentru redare ulterioară.

Notă: În modul de așteptare (o apăsare scurtă a tastei de alimentare de pe panoul superior sau cu telecomandă), dispozitivul va începe să se încarce automat după 15 minute din cauza cerințelor de proiectare ecologică. Pentru încărcare de urgență, apăsați și mențineți apăsată tasta de alimentare (opriți dispozitivul). Dispozitivul poate fi încărcat în mod continuu în timpul redării muzicii.

Funcționarea bateriei reincărcabile:

1. Când bateria este descărcată sau aproape de descărcare, aceasta trebuie încărcată cât mai curând posibil. Dacă nu este încărcată pentru o perioadă mai îndelungată, capacitatea sa internă va fi redusă, împiedicând încărcarea completă sau scurtarea timpului de lucru.
2. Dacă trebuie să înlocuiți bateria, contactați un service local Blaupunkt.
3. Nu încărcăți acumulatorul mai mult de 24 de ore. Descărcarea sau reincărcarea excesivă reduce durata de viață a bateriei reincărcabile. Încărcarea și descărcarea afectează durata de funcționare a bateriei și timpul de redare. Nu se poate garanta aceeași durată de redare în timpul funcționării bateriei. Durata variabilă de funcționare a bateriei nu poate constitui temeiul de depunere a unei plângeri în baza garanției.



Montajul bateriei de telecomandă

Îndepărtați capacul de pe compartimentul bateriei și introduceți 2 baterii de tip AAA (incluse în set); Asigurați-vă că polaritățile bateriilor se vor potrivi cu simbolurile (+) și (-) imprimate în compartiment. Apoi, închideți capacul compartimentului bateriilor.

Note:

- a. Cea mai bună distanță de lucru a telecomenzii este de 5 metri, fără niciun obstacol. În timpul utilizării, senzorul telecomenzii trebuie direcționat spre partea frontală a dispozitivului.
- b. Sensibilitatea telecomenzii va slăbi pe măsură ce bateriile se vor descărca. Bateriile uzate trebuie înlocuite cu altele noi.

c. Scoateți acumulatorul în cazul în care nu utilizați dispozitivul pentru mai mult timp.

d. Bateriile trebuie eliminate într-un mod prietenos pentru mediu. În acest scop, trebuie să vă familiarizați cu reglementările autorităților locale.

Utilizarea generală

- 1. Pornire / oprire:** Apăsarea lungă (2 secunde) a tastei de alimentare de pe panoul superior vă permite să porniți/opriți dispozitivul. Apăsarea scurtă a tastei de alimentare de pe panoul superior sau cu telecomandă, permite comutarea dispozitivului în modul de așteptare. Vă recomandăm să opriți complet dispozitivul dacă nu funcționează o perioadă mai lungă.
- 2. Selectarea sursei de redare:** Apăsați butonul de selectare a sursei aflat pe panoul sau butonul modului de redare de pe telecomandă pentru a comuta sursa de redare între FM / Bluetooth / Line in / USB / microSD.
- 3. Reglare volum:** Rotiți butonul de reglare a volumului de pe panoul superior sau apăsați butonul VOL +/- de pe telecomandă, pentru a mări sau a micșora volumul sunetului.
- 4. Reglare tonuri înalte și joase:** mai întâi apăsați scurt tasta meniu de pe panoul superior, rotiți butonul de volum pentru a regla nivelul tonalităților înalte, numărul corespunzător al tonalităților înalte va apărea pe afișaj. Apăsați din nou butonul tonalităților înalte/joase pentru a trece la reglarea basurilor. Aceeași funcție poate fi realizată prin apăsarea tastei tonalităților înalte +/- de pe telecomandă.
- 5. Dezactivarea sunetului:** Apăsarea butonului MUTE de pe panoul de sus sau de pe telecomandă va produce dezactivarea sunetului; O nouă apăsare a acestui buton va readuce sunetul la nivelul ajustat mai înainte.
- 6. Egalizator EQ:** Apăsați în mod repetat butonul EQ de pe telecomandă pentru a comuta modul de egalizare între setări: FLAT/POP/ROCK/JAZZ/CLASSIC.
- 7. Redare / pauză:** apăsați butonul de redare/pauză, pentru a întrerupe sau a relua redarea muzicii în modul Bluetooth / USB/MicroSD.
- 8. Repetare și redare aleatorie:** Apăsați butonul de repetare pentru a comuta redarea muzicii la modul de repetare a unei singure piese/repetarea tuturor pieselor/redare aleatorie.
- 9. Iluminat:** apăsați de câteva ori butonul de iluminare pentru a comuta modul de iluminare între opt efecte sau pentru a-l opri.
- 10. Butoane numerice și butonul +10:** apăsați butoanele numerice pentru a selecta un anumit număr al piesei în modul de redare USB/microSD; sau comutați numărul stației radio programate în modul FM. Apăsați butonul +10 pentru a selecta rapid o piesă cu 10 numere mai mare.
- 11. Anterior/următor:** apăsați scurt butonul selectat pentru a comuta piesa anterioară sau următoare în modul de redare Bluetooth/USB/microSD.
- 12. Utilizarea tastei meniu:** aceasta este o tastă multifuncțională, apăsați-o de mai multe ori pentru a comuta setarea de soprână/bas/volum microfon/ecou/tonuri înalte microfon/tonuri joase microfon/volum chitară; apoi, rotiți imediat butonul de volum pentru a regla nivelul corespunzător; Așteptați un moment pentru a ieși din modul de setare. (Informații pe afișaj: TE= nivel soprană, BS= nivel bas, CU= volum microfon, EC= ecou, T= tonuri înalte microfon, B= tonuri joase microfon, GE= chitară)

Utilizarea radioului FM

Înainte de a începe ascultarea radioului FM, mutați dispozitivul lângă fereastră pentru o recepție mai bună a semnalului FM. Dispozitivul are antenă internă încorporată pentru recepția FM.

- 1. Scanarea și programarea automată a posturilor radio (mod automat):** Apăsați scurt butonul de redare / pauză de pe panoul superior sau de pe telecomandă pentru a scana și salva automat posturile radio disponibile. După încheierea scanării, dispozitivul va începe redarea automată a primului post programat. (Numărul maxim al posturilor programate care pot fi operate: 40)
- 2. Selectarea posturilor radio:** în modul radio, apăsați butonul următor / anterior de pe panoul superior sau de pe telecomandă pentru a selecta și a reda postul programat anterior sau următor. De asemenea, puteți selecta rapid o stație programată introducând numărul acesteia folosind butoanele numerice de pe telecomandă.
- 3. Setarea manuală:** apăsați și țineți apăsat butonul precedent / următor timp de 2 secunde pentru a scana postul disponibil în sus sau în jos și a reda postul în mod automat. Introduceți numărul frecvenței postului de radio folosind butoanele numerice de pe telecomandă și așteptați un moment, dispozitivul va selecta și reda postul de radio dorit.

Redare USB/microSD

Dispozitivul este prevăzută cu funcția de redare USB/microSD care poate decoda și reda muzică din memoriile portabile USB / microSD. Înainte de a începe redarea, copiați muzica MP3/WMA pe memoria portabilă. Introduceți memoria în dispozitiv, deoarece modul de redare USB/microSD este disponibil doar atunci când memoria va fi conectată în mod corect. Apoi dispozitivul va detecta și va reda fișierele MP3/WMA în mod automat.

Selectarea piesei: apăsați scurt butonul anterior / următor pentru a alege piesa anterioară sau următoare; Apăsați și țineți apăsat butonul de derulare, pentru a derula înainte piesa actual redată, eliberați butonul pentru a continua redarea piesei. În modul USB/microSD sunt disponibile următoarele funcții: redare / pauză, mută, repetare, corector de volum, reglare tonuri înalte / joase, funcția +10 etc. Detalii se află la punctul "Utilizare generală" din prezentele instrucțiuni.

Note:

- Nu se recomandă conectarea memoriei USB cu ajutorul prelungitoarelor USB, deoarece acest lucru poate avea un efect negativ asupra calității redării și produce zgomot sau sunete intermitente, cauzate de pierderea datelor audio în timpul transmiterii fișierelor.
- Decodarea și redarea tuturor pieselor în formatul MP3/WMA/WAV/FLAC nu poate fi garantată.
- Dispozitivul acceptă memoriile cu capacitate maximă de 32GB.
- Având în vedere tipul și producătorul, redarea automată a unor memorii USB/microSD poate să dureze ceva mai mult; Trebuie reținut că aceasta nu este o defecțiune.

Funcționarea Bluetooth

Acest produs este prevăzută cu funcția Bluetooth, care permite redarea fără fir a muzicii de pe alt dispozitiv Bluetooth (cum ar fi un smartphone, tabletă etc.).

1. Apăsați de câteva ori butonul de selectare a sursei pentru a accesa modul Bluetooth, iar simbolul Bluetooth va clipi pe ecranul de afișare ceea ce înseamnă că dispozitivul este pregătit pentru cuplare.

2. Porniți funcția Bluetooth în dispozitivul extern și căutați un dispozitiv disponibil (citiți instrucțiunile de utilizare a dispozitivului extern), apoi verificați dispozitivul Bluetooth disponibil pe listă. Selectați "BP PB06" pentru împerechere, iar simbolul Bluetooth va lumina în mod continuu pe ecranul de afișare după cuplarea reușită.
3. Selectați și redați muzică de pe dispozitivul extern Bluetooth, apoi sunetul va fi redat prin intermediul difuzorului din acest dispozitiv.
4. Apăsăți butonul anterior / următor pentru a selecta ultima și următoarea piesă în timpul redării.
5. În modul Bluetooth pot fi realizate funcțiile de redare / pauză, mută, reglare de volum, corectarea tonurilor înalte și joase. Detalii se află la punctul "Utilizare generală" din prezentele instrucțiuni.

Note:

- a. Având în vedere diferite modele și mărci, o conectare corectă la toate dispozitivele Bluetooth nu poate fi garantată.
- b. Distanța de lucru Bluetooth este de 10 m, fără niciun obstacol.
- c. Dispozitivul poate să se împerecheze și să funcționeze cu un singur dispozitiv Bluetooth în același timp.
- d. În cazul unui apel primit în timpul redării Bluetooth; Muzica se întrerupe pentru o clipă și va relua redarea după încheierea convorbirii telefonice.
- e. Apăsăți lung butonul redare / pauză de pe panoul superior a închide legătura curentă cu dispozitivul Bluetooth și a începe împerecherea cu un alt dispozitiv.

Funcția stereo fără fir Bluetooth TWS (True Wireless Stereo): Difuzorul are o funcție stereo fără fir TWS în timpul redării Bluetooth. Funcția este disponibilă pentru două difuzoare conectate la modul Bluetooth. Când porniți prima oară funcția stereo fără fir, selectați unul dintre cele două difuzoare ca unitate principală. Apoi, apăsați lung (3 secunde) butonul "mode" de pe panoul superior pentru a asocia difuzorul principal cu cel de-al doilea difuzor disponibil. Când TWS este asociat cu succes, difuzorul va emite un sunet scurt. Afișajul difuzorului secundar va afișa continuu „SLAU”, iar afișajul difuzorului principal va clipi „BLUE”. Apoi puteți începe ascocierea și operarea Bluetooth, iar sunetul va fi emis simultan de la ambele difuzoare. Dacă modul de redare pe difuzorul principal este schimbat în FM/microSD/USB sau AUX, sunetul va continua să fie emis pe ambele difuzoare asociate. În timpul primei asocieri TWS poate să apară un sunet scurt "sa sa sa..." emis de difuzor, aceasta nu este o defecțiune..

În modul de redare TWS, toate ajustările vor fi disponibile pe difuzorul principal. Unele funcții nu sunt disponibile pentru difuzorul secundar, vă rugăm să rețineți că aceasta nu este o defecțiune. După oprirea difuzorului principal, redarea TWS se va opri. Dacă modul standby este oprit/pornit, difuzorul este oprit/pornit, apăsați lung (3 secunde) butonul modului de redare pentru a asocia difuzoarele din nou în modul TWS. Apăsarea lungă din nou a butonului modului de redare va deconecta difuzoarele asociate în modul TWS.

Funcționarea în modul AUX IN

Pentru a conecta și a reda muzică de la un alt player sau dispozitiv, urmați instrucțiunile de mai jos:

Utilizând cablul audio (inclusiv în set) conectați priză AUX IN de pe de pe panoul superior spate al dispozitivului cu ieșirea liniară sau cu priză căștilor playerului cum ar fi de ex. player MP3, CD, DVD, mixer etc. Apoi selectați și redați muzică pe playerul extern, iar sunetul va fi redat cu ajutorul acestui dispozitiv.

În modul AUX-IN, playerul extern îndeplinește controlul principal asupra redării. În prezentul dispozitiv puteți controla volumul, dezactiva sunetul și regula nivelul de bași și soprane.

Karaoke

Deschideți capacul bateriei microfonului fără fir (inclusiv în set), introduceți 2 buc. De baterii uscate de dimensiune AA (nu sunt incluse în set) în conformitate cu simbolul de polaritate pozitiv și negativ în compartimentul de baterii și, apoi, închideți capacul bateriilor microfonului. Setăți comutatorul pe poziția de pornit, pentru a porni microfonul. După câteva secunde difuzorul se va cupla în mod automat cu microfonul fără fir. Selectați nivelul corespunzător de volum de ieșire al microfonului pe panoul de sus și începeți să cântați. Dispozitivul are, de asemenea, o priză de intrare pentru microfonul cu fir, introduceți mufa microfonului cu fir (nu este inclus în set) în priză de 6,5 mm, și porniți microfonul pentru a cânta.

Porady:

- a. Pentru a regla volumul microfonului/ecou/tonuri înalte microfon/tonuri joase microfon: apăsați tasta meniu în mod repetat pentru a comuta setarea de soprană/bas/microfon/ecou/tonuri înalte microfon/tonuri joase microfon/volum chitară; apoi, rotiți imediat butonul de volum pentru a regla nivelul corespunzător; Așteptați un moment pentru a ieși din modul de setare. (Informații pe afișaj: TE= nivel soprană, BS= nivel bas, CU= volum microfon, EC= ecou, T= tonuri înalte microfon, B= tonuri joase microfon, GE= chitară).
- b. Difuzorul poate emite un zgomot puternic sau distorsiuni în momentul în care nivelul volumului de bași și soprane sau funcția de ecou sunt setate la un nivel prea mare. Aceasta nu este o defecțiune. Reduceți nivelul setărilor de mai sus, apoi porniți sau opriți microfonul.
- c. Puteți folosi funcția karaoke și să ascultați muzică în același timp. În cazul când vreți să măriți volumul karaoke micșorând volumul muzicii de fundal, puteți regla separat volumul microfonului folosind butoanele corespunzătoare.
- d. Microfonul amplasat lângă difuzor trebuie oprit, altfel se va produce un zgomot mare.
- e. Pe carcasa microfonului fără fir se află butonul de oprire care poate dezactiva sunetul microfonului.
- f. Există o caracteristică de prioritate a microfonului în acest model. Dacă activați această funcție de la telecomandă, sunetul microfonului va fi redat pe difuzor în primul rând (muzica de fundal va fi dezactivată); redarea muzicii de fundal se va relua automat atunci când terminați utilizarea microfonului.
- g. Microfoanele wireless și cu fir pot fi utilizate simultan.

Intrare pentru chitară: Dispozitivul are capacitatea de a conecta un instrument muzical, cum ar fi o chitară, folosind o priză pentru chitară de 6,3 mm pe panoul superior. În acest scop trebuie să utilizați un cablu suplimentar (nu este inclus). Apăsăți scurt de câteva ori tasta meniu de pe panoul superior pentru a comuta setarea volumului de chitară (informațiile GE afișate se referă la chitară); apoi, rotiți butonul de volum imediat pentru a regla nivelul corespunzător; Așteptați un moment pentru a ieși din modul de setare. Sunetul chitarei va fi redat folosind difuzorul. De asemenea, puteți regla volumul chitarei apăsând butonul GT +GT - de pe telecomandă.

Soluționarea problemelor

1. Difuzorul nu poate fi pornit.

a. Verificați dacă alimentarea este conectată în mod corect.

2. Lipsă sonor.

a. Încercați să reglați butonul de volum și verificați sursa de redare.

b. Contactați centrul de service, dacă problema persistă.

3. Distorsiuni de sunet.

a. Încercați să ajustați și să redați muzică la un volum de sunet mai redus.

b. Verificați reglarea sunetelor înalte/joase.

4. Zgomot în timp ce ascultați un post FM

a. Mutați dispozitivul în alt loc pentru o recepție mai bună.

b. Porniți scanarea din nou sau schimbați postul.

Specificație

Sursă de alimentare: AC 110-240V, 50/60 Hz.

Alimentare din bateriei reincărcabilă: 7.4V/5000mAh.

Frecvență FM: 87,5-108,0 MHz.

Conector USB: 5V, 500mA, versiunea 2.0, stocare în masă acceptată până la 32 GB.

Card microSD: suporturi acceptate până la 32 GB.

USB / cardurile microSD acceptă formate muzical: MP3, WMA, WAV, FLAC (redarea tuturor acestor tipuri de fișiere nu este garantată).

Bluetooth: V5,0, distanța de lucru până la 10 m.

Puterea de ieșire RMS: 2 x 20W.

Microfon: intrare 1 x 6,5 mm, conectarea microfonului cu fir.

2 x microfon fără fir (frecvență: 208,8 MHz, 215MHz, sursă de alimentare: 2 x 1,5V, AA)

1 x intrare pentru chitară.

Consum de putere: 40W.

Consum de putere în modul stand-by: <0.5W.

(Specificația de mai sus poate fi modificată fără preaviz.)

ВАЖНИ ИНСТРУКЦИИ ЗА БЕЗОПАСНОСТ



ОПАСНОСТ ОТ ТОКОВ



УДАР
НЕ ОТВАРЯЙ

Внимание:

За да се намали рискът от токов удар, не се разрешава демонтиране на капака, дори и на задната част на устройството. В самото устройство няма елементи, предназначени за самостоятелно ремонтване от потребителите. С обслужване и ремонтване на оборудването се занимават единствено квалифицирани служители на сервиса.

Обяснение на графичните символи:



Светкавица, завършваща със стрелка, в равностранен триъгълник предупреждава потребителя за неизоллирано, „опасно“ напрежение около устройството, което напрежение може да има размери, заплашващи с токов удар.



Удивителният знак в равностранен триъгълник предупреждава потребителя, че в този момент в документацията, прикачена към устройството, се предоставя важна информация за обслужването и запазването на оборудването.

Моля, прочетете тази инструкция, преди да пристъпите към обслужване на устройството, за да се запознаете с неговите функции и да го използвате съгласно неговото предназначение. Това ще Ви осигури дълготрайно, безаварийно обслужване на устройството и удоволствие от използването му.

Важна информация

- Запазете инструкцията за ползване, както и информацията за безопасност, с цел използване в бъдеще.
- Да не се допуска прокапване или протичане на течност върху устройството.
- Също да не се използва на влажни места като например в баня.
- Да не се инсталира това устройство на следните места:
- Изложени на непосредствено действие на слънчеви лъчи или близо до радиатори.
- Да не се поставя на повърхността на друго стереофонично оборудване, което отделя топлина.
- Ако ще блокира вентилация или в прашно помещение.
- На места, изложени на постоянна вибрация.
- На места с висока влажност.
- Да не се поставя устройството близо до свещи или открит огън.
- Устройството може да се използва единствено по начина, описан в настоящата инструкция.
- Преди първото включване на захранването трябва да се уверите, че зарядното устройство е включено правилно.
- USB паметта се свързва непосредствено или с помощта на USB кабел с дължина до 25 см.

От съображения за сигурност да не се демонтират конструкциите, както и да не се осигурява достъп до вътрешността на устройството. Забранено е отварянето на устройството, както и отварянето на неговата конструкция, тъй като вътре няма части, които биха могли да бъдат поправени от потребителя. С обслужването и поправката на оборудването се занимават единствено квалифицирани служители на сервиса.

ИНСТРУКЦИИ ЗА БЕЗОПАСНОСТ

1. Прочетете инструкцията – преди употреба прочетете цялата инструкция за обслужване, както и информацията за безопасност.
2. Запазете инструкцията – запазете инструкцията за употреба и обслужване с цел по-нататъшно използване.
3. Спазвайте предупрежденията – постъпвайте съгласно с всички предупреждения, поместени на устройството и съгласно с инструкцията за употреба.
4. Спазвайте инструкциите – постъпвайте съгласно с инструкцията за употреба и насоките за потребителя.
5. Инсталация - настройвайте устройството в съответствие с инструкциите на производителя.
6. Източници на захранване - захранвайте устройството само от източници с параметри, посочени на захранващия кабел. Ако не сте сигурни каква енергия имате въкъси, трябва да се свържете с продавача на устройството или местния доставчик на електрическа енергия.
7. Заземяване или поляризация на захранването – устройството не трябва да бъде заземявано. Уверете се, че щепселът е изцяло пъхнат в електрическата мрежа или удължителния кабел, за да не се откриват щифтовете или контактите. Някои версии на устройството могат да бъдат оборудвани с поляризиран адаптер за променлив ток (с по-широк щифт). Този щепсел може да бъде вкаран в гнездото само по един начин. Това е функция за обезопасяване. Ако не можете да поставите щепсела в гнездото, опитайте да го обърнете. Ако щепселът все още не се побира в гнездото, поискайте от електротехник да го смени. Не изваждайте предпазителят от поляризиращия щепсел. Ако използвате удължителен кабел или захранващ кабел, различен от тези, предоставени с устройството, той трябва да има съответните щепсели и одобрения за безопасност, изисквани в дадената страна.
8. Обезопасяване на захранващия кабел - Захранващите кабели трябва да бъдат насочвани така, че да не може да се стъпва по тях, да не бъдат притискани или прерязани от поставени върху тях предмети. Обърнете специално внимание на щепселите, контактите и местото, където кабелите се извеждат от устройството.
9. Претоварване - Не претоварвайте стенните контакти, удължителите и електро-разпределителите, тъй като това може да доведе до пожар или токов удар.
10. Вентилация - устройството трябва да бъде охлаждаемо правилно. Не поставяйте устройството на легло, диван или подобни повърхности. Не покривайте уреда с покривки, салфетки, вестници и др.
11. Топлина - не поставяйте устройството в близост до източници на топлина като радиатори, лъчеви нагреватели, печки или други уреди (включително топлинни генератори), които произвеждат топлина. Не поставяйте запалени свещи или друг открит огън върху устройството.

12. Вода и влага - За да намалите риска от пожар или токов удар, не излагайте устройството на пряк дъжд, вода или влага, например в сауната или в банята. Не използвайте това устройство близо до вода като вана, мивка, кухненска мивка или вана, в мокро помещение или в близост до плувен басейн (или на подобни места).
13. Предмети и течности в устройството - не вкарвайте предмети през отворите на устройството, тъй като могат да влязат в контакт с опасни точки и компоненти на напрежение, което може да доведе до пожар или токов удар. При никакви обстоятелства не трябва да разливате течности по повърхността на устройството. Не поставяйте върху устройството предмети, съдържащи течности.
14. Почитване - Преди почитване изключвайте устройството от контакта. Прахът около високоговорителя може да премахнете с помощта на суха кърпа. Ако за почитването ще използвате аерозол, не насочвайте пръскачката директно към устройството, а към кърпата. Внимавайте да не повредите задвижващите устройства.
15. Допълнително оборудване - Не използвайте аксесоари, които не са одобрени от производителя, тъй като те могат да представляват риск.
16. Аксесоари - Не поставяйте устройството върху нестабилна количка, стойка, стив, конзола или маса. Устройството може да се преобърне и повреди, както и може да причини сериозни наранявания у деца или възрастни. Използвайте само колички, стойки, стативи, конзоли и маси, определени от производителя или продавани заедно с устройството. Сглобете уреда съгласно инструкциите на производителя, като използвате монтажния комплект, препоръчан от производителя.
17. Преместване на устройството - устройството, поставено на количката, трябва да се премества много внимателно. Внезапно спиране, твърде голяма сила или неравна повърхност може да доведе до преобръщане на количката заедно с устройството.
18. Период на неизползване на устройството - Изключете захранващия кабел от контакта по време на гръмотевични бури, или когато не използвате уреда за по-дълъг период от време.
19. Обслужване - не се опитвайте самостоятелно да правите преглед на устройството. Отварянето на капака може да доведе до опасно напрежение и да изложи потребителя на други опасности. С консервация и ремонтане на оборудването се занимават единствено квалифицирани служители на сервиза.
20. Когато устройството не е в употреба, извадете захранващия кабел от контакта. Когато устройството е свързано към източник на захранване, то е в режим на готовност и не е напълно изключено.
21. Резервни части - при подмяна на части се уверете, че техникът е използвал препоръчаните от производителя резервни части или също, че частите са идентични с оригиналните. Подмяната с неодобрени части може да доведе до пожар, токов удар или други опасности.
22. Пожарни предпазители - за да предпазите устройството за постоянно от пожар, използвайте предпазители от съответния тип и параметри. Параметрите на предпазителя в даден обхват на напрежение са обозначени на устройството.
23. Не увеличавайте силата на звука, когато слушате част от песен с ниска сила на звука или при липсата на входен аудио сигнал. В противен случай при бързото увеличаване на силата на сигнала може да се стигне до повреда на високоговорителя.
24. Единственият начин за напълно изключване на устройството от източника на захранване е да изключите захранващия кабел от контакта или от устройството. Винаги, когато използвате устройството, трябва да има достъпен захранващ контакт или захранващ кабел.
25. Устройството трябва да се постави близо до контакт или удължителен кабел и така, че да е винаги достъпно.
26. Максималната температура на околната среда на устройството е 35° С.
27. Инструкции за електростатично разреждане - ако работата на устройството е прекъсната от електростатичен разряд, изключете уреда и повторно включете устройството или го преместете на друго място.
28. Батерия
 - a. Не излагайте батериите на прекомерна топлина като например слънчеви лъчи, огън и др.
 - b. Когато използвате батериите, обърнете внимание на изискванията за опазване на околната среда.
- в. Предупреждение за използване на батерията: За да не се стигне до изтичане на батерията, което може да доведе до нараняване или повреда на устройството:
 - , При поставяне на батерията, обърнете внимание на нейните полюси (+ и -).
 - , Не използвайте едновременно различни батерии - стари и нови, стандартни и алкални и др.
 - , Извадете батериите от устройството, ако няма да го използвате за по-дълъг период от време.

ВНИМАНИЕ

- Устройството не трябва да се използва от хора (включително деца) с намалени физически, сензорни или психически способности и лица с недостатъчни познания и опит, освен ако не са под наблюдението на лице, отговорно за тяхната безопасност и не са инструктирани как безопасно да използват устройството. Необходимо е присъствие на възрастни, ако устройството се използва от деца; това ще осигури безопасно използване на устройството.
1. Не оставайте устройството без надзор! Изключвайте устройството, когато не го използвате, дори и за кратко време.
 2. Не включвайте устройството чрез външен часовник, нито чрез отделна система за дистанционно управление.
 3. За да избегнете опасност при повреда на захранващия кабел, подмяната трябва да се извърши от производителя, от упълномощен сервизен център или от друго квалифицирано лице.
 4. Преди да използвате уреда се уверете, че напрежението му съответства на напрежението на местното захранване.
 5. Не покривайте вентилационните изходи, например с вестници, покривки, завеси и др. Уверете се, че над устройството има най-малко 20 см свободно пространство и от всяка страна на уреда - най-малко 5 см.
 6. Не допускайте да капат или да се разливат течности или не поставяйте предмети, съдържащи течности като например вази.
 7. За да избегнете пожар или токов удар, предпазвайте устройството от горещи места, дъжд, влага и прах.
 8. Не поставяйте устройството близо до водоизточници като кранове, вани, перални машини или плувни басейни. Поставете устройството на равна и стабилна повърхност.
 9. Не излагайте устройството на силни магнитни полета.
 10. Не поставяйте устройството директно върху усилвателя или приемника.
 11. Не поставяйте устройството на влажно място, тъй като влагата има вреден ефект върху електрическите компоненти.
 12. При внасяне на устройството от студено на топло или на влажно място, може да се образува конденз върху обектива върху в плейъра. В този случай устройството няма да работи правилно. Оставете включения уред в продължение на около един час, за да може влагата да се изпари.

13. Не почиствайте устройството с химически разтворители, тъй като те могат да повредят лаковото покритие на конструкцията. Избършете устройството с чиста, суха или леко влажна кърпа.
14. Когато изваждате щепсела от контакта, винаги издърпвайте щепсела, а не захранващия кабел.
15. Когато устройството е включено в близост до телевизор, то може да е източник на смущения под формата на линии на екрана. Това зависи от дължината на телевизионната вълна. Не означава неизправност на устройството или телевизора. Ако видите такива линии, преместете устройството далеч от телевизора.
16. Захранващият щепсел се използва за изключване на захранващото напрежение и трябва да е винаги на разположение.
17. За да предотвратите евентуална загуба на слух, не слушайте силна музика в продължение на дълги периоди от време.



ВНИМАНИЕ



Декларация

С настоящото Blaupunkt Competence Center 2N-Everpol Sp. z o.o. декларира, че това устройство отговаря на изискванията и други приложими разпоредби на Директива 2014/53 / на ЕС. Пълната декларация за съответствие може да бъде намерена на www.blaupunkt.com в раздела за продукти.

Отговорно лице: 2N-Everpol Sp. Z o.o.
Puławska 403A, 02-801 Warszawa, Polska
Телефон: +48 22 688 08 00, e-mail: info@everpol.pl



Продуктът е произведен от висококачествени материали и компоненти, които могат да бъдат рециклирани и повторно използвани.



Ако на вашето устройство има символ със зачеркнат контейнер за боклук, това означава, че продуктът е обхванат от разпоредбите на Европейска директива 2012/19/ЕС. Въз основа на това, моля, следвайте местните разпоредби и се запознайте с изискванията за вашата местна система за събиране на електрически и електронни отпадъци и, в случай на този продукт, спазвайте ги.

НЕ ИЗХВЪРЛЯЙТЕ ТОЗИ ПРОДУКТ С ВАШИТЕ ДОМАКИНСКИ ОТПАДЪЦИ!

ТОЗИ ПРОДУКТ СЪДЪРЖА ОПАСНИ ВЕЩЕСТВА, СМЕСИ И КОМПОНЕНТИ, КОИТО, АКО СА НЕРАЗРЕШЕНИ, МОГАТ ДА БЪДАТ ИЗТОЧНИК НА ПОТЕНЦИАЛНИ ЕФЕКТИ ВЪРХУ ПРИРОДНАТА ОКОЛНА СРЕДА И ЧОВЕШКОТО ЗДРАВЕ!

Правилното изхвърляне на използвания продукт ще предотврати отрицателните ефекти върху околната среда и човешкото здраве.



Устройството е оборудвано с батерии, които са част от европейска директива 2006/66/ЕС. Не изхвърляйте батериите заедно с битови отпадъци. Запознайте се с изискванията на местната система за събиране на батерии, тъй като правилната употреба на стария продукт ще предотврати потенциални негативни последици за околната среда и човешкото здраве.

Информация за опазване на околната среда

Пакетът съдържа само необходимите елементи. Положени са всички усилия, за да се гарантира, че трите компонента на опаковката са лесни за разделяне: картонена кутия, полистиролова пяна (вътрешна защита) и полиетилен (торбички, защитен лист). Устройството е изработено от материали, които могат да бъдат рециклирани и повторно използвани, след като се демонтират от специализирана фирма. Спазвайте местните разпоредби за изхвърляне на опаковъчни материали, отпадъчни батерии и ненужно оборудване.

Записването и възпроизвеждането на материали може да изисква съгласие. Вижте Закона за авторските права и правата на изпълнителите/ артистите.

Забележка относно ERP2 (на устройства, свързани с енергопотребление)

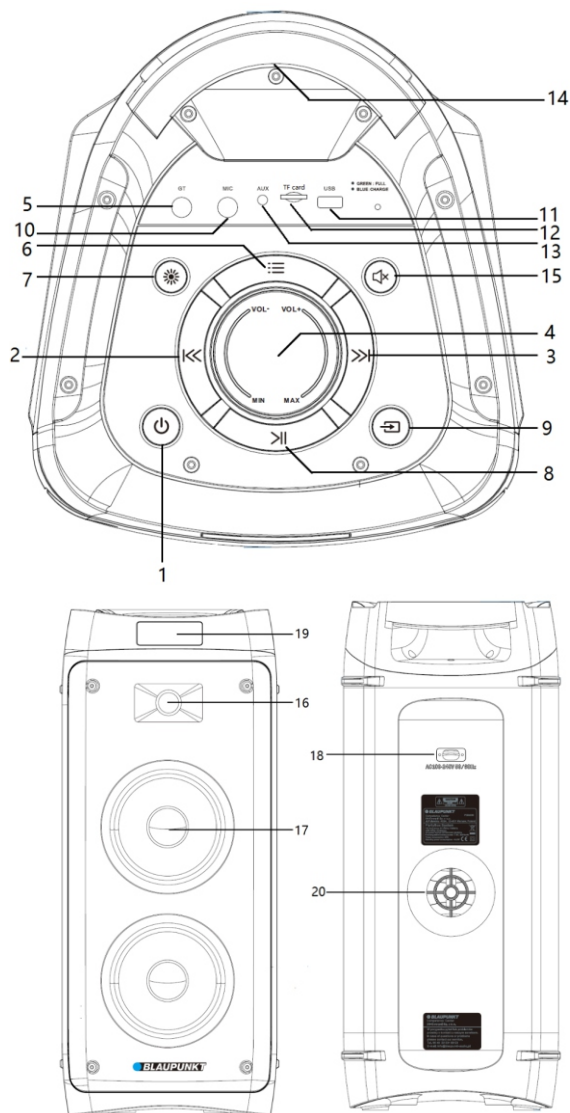
Настоящото устройство с екопроект отговаря на изискванията на етап 2 от Регламента на Комисията (ЕО) № 1275/2008 за прилагане на Директива 2009/125 / ЕО относно консумацията на енергия от електроуреди за офиса и дома.



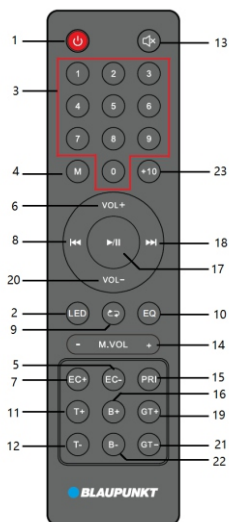
Собственик на търговските знаци и логото Bluetooth® е фирма Bluetooth SIG, Inc. USA. Използването на тези знаци и логото подлежи на лицензиране. Другите знаци и търговски названия принадлежат на съответните собственици.

Благодарим за покупката на нашия продукт. Преди да пристъпите към употреба на устройството, трябва старателно да прочетете и да се запознаете с настоящата инструкция. Моля, запазете инструкцията за бъдещо ползване.

Панел за управление



- | | |
|--|--|
| 1 - Превключвател за включване / изключване; | 2,3 - Предишно произведение / следващо произведение; |
| 4 - Управление на силата на звука; | 5 - Вход за китара; |
| 6 - Бутон за избор на източник; | 6 - Бутон меню, натиснете го няколко пъти, за да превключите на настройките за силата на звука на сопрано/бас/микрофон/ехо на микрофон/микрофон сопрано/микрофон бас/китара. |
| 7 - Диска осветление; | 8 - Възпроизвеждане / пауза; |
| 9 - Бутон за избор на източник; | 10 - Входно гнездо за жичен микрофон; |
| 11 - USB порт; | 11 - USB порт; |
| 12 - Гнездо microSD; | 12 - Гнездо microSD; |
| 13 - Вход AUX IN; | 13 - Вход AUX IN; |
| 14 - Дръжка; | 14 - Дръжка; |
| 15 - Изключване на звука; | 15 - Изключване на звука; |
| 16 - Високо звук говорител; | 16 - Високо звук говорител; |
| 17 - Говорител за средни/ниски тонове; | 17 - Говорител за средни/ниски тонове; |
| 18 - Гнездо за захранващ кабел / АС. | 18 - Гнездо за захранващ кабел / АС. |
| 19 - Дисплей; | 19 - Дисплей; |
| 20 - Порт Bass - Reflex; | 20 - Порт Bass - Reflex; |



Дистанционно управление

- 1 - Бутон за захранване;
- 2 - Бутон за включване/изключване на диско осветлението;
- 3 - Бутони с цифри;
- 4 - Бутон за включване/изключване на функцията за случайно възпроизвеждане
- 5,7 - Бутони за регулиране Echo +/-;
- 6,20 - Бутони за регулиране на силата на звука +/-;
- 8,18 - Предишно и следващо произведение, бутон канал - / +;
- 9 - Бутон за функция повтаряне (повтаряне на едно произведение/цялостно повтаряне/произволно възпроизвеждане);
- 10 - EQ еквалайзер (flat/POP/Rock/Jazz/Classic)
- 11, 12 - Бутони за регулиране на високите тонове +/-;
- 13 - Бутон за изключване на звука;
- 14 - Бутони за регулиране на силата на звука на микрофона +/-;
- 15 - Бутон за приоритет на микрофона;
- 16, 22 - Бутони за регулиране на ниските тонове +/-;
- 17 - Възпроизвеждане / пауза;
- 19, 21 - Бутони за регулиране нивото на звука на входа за китара GT +/-;
- 23 - Бутон +10;

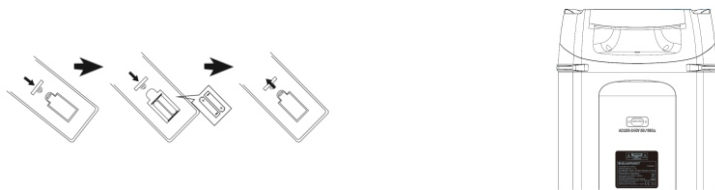
Свързване на захранването: Моля, проверете, дали източникът на захранване съответства на спецификацията на номиналното напрежение, която се намира отзад на панела на устройството. Ако не съответства, трябва да се свържете с продавача или със сервизен център. Поставете женския конектор на захранващия кабел в гнездото на устройството, след което включете захранващия кабел в електрически степен контакт.

Зареждане на акумулатора: вграденият акумулатор позволява възпроизвеждане на музика без свързване към захранващ ток. Когато акумулаторът се зарежда, LED индикаторът за зареждане, разположен на горния панел ще бъде червен. При пълно зареждане индикаторът ще промени цвета си на зелен. Акумулаторът ще се зарежда дори и при изключено устройство, но с достъпен източник на захранване с променлив ток. Времето за зареждане на акумулатора е 4-8 часа, а времето за възпроизвеждане 3-5 часа в зависимост от нивото на силата на звука при възпроизвеждане. Ако акумулаторът се изтощи, устройството ще се изключи автоматично, трябва да го заредите за по-нататъшно възпроизвеждане.

Забележка: В режим готовност (кратко натискане на бутона на захранването върху горния панел или с помощта на дистанционното управление) устройството ще започне да се зарежда автоматично след 15 минути с оглед на изискванията на еко конструкцията. За успешно зареждане натиснете и задръжте бутона на захранването (изключете устройството). Устройството може да бъде зареждано непрекъснато по време на възпроизвеждане на музика.

Употреба на акумулатора:

1. Когато акумулаторът е разреден или почти разреден, трябва възможно най-бързо да бъде зареден. Ако не се зарежда през продължителен период от време, неговият вътрешен капацитет ще бъде намален, което ще предотврати пълното зареждане или ще съкрати времето на работа.
2. Ако трябва да смените акумулатора, моля, свържете се с местния сервиз на Blaupunkt.
3. Не зареждайте акумулатора по-дълго от 24 часа. Прекомерното разреждане или претоварване скъсява живота на акумулатора. Многократното зареждане и разреждане влияе върху живота на акумулатора и времето за възпроизвеждане. Не може да се гарантира едно и също време на възпроизвеждане по време на употребата на акумулатора. Променливият живот на акумулатора не може да бъде основание за гаранционни претенции.



Инсталиране на батерията в дистанционното управление

Отворете капака на отделението за батериите и поставете 2 батерии от тип AAA (включено в комплекта); Уверете се, че положението на батериите съответства на символите на положителния и отрицателния полюс, нанесени в отделението за батериите. След това затворете капака на отделението за батериите.

Забележки:

- a. Най-подходящото разстояние за работата на дистанционното управление е 5 метра без никакви препятствия. По време на използването трябва да насочите датчика на дистанционното управление към предната част на устройството.

- b. Чувствителността на дистанционното управление ще бъде все по-слаба с течение на времето и с изтощаването на батериите. Изтощените батерии трябва да се подменят с нови.
- c. Ако няма да използвате устройството през по-дълъг период от време - извадете батериите.
- d. Батериите трябва да се обезвредят по екологосъобразен начин. За тази цел трябва да се запознаете с изискванията на местните власти.

Общи принципи на употреба

- 1. Включване / изключване:** Продължителното натискане (2 секунди) на бутона на захранването в горния панел Ви позволява да включите/изключите устройството. Чрез кратко натискане на бутона за захранването на горния панел или с дистанционното управление, устройството може да бъде включено в режим готовност. При по-продължителен период на не-използване на устройството препоръчваме неговото пълно изключване.
- 2. Избор на източника на звук:** Натиснете бутона за избор на източник на или бутона за режим на възпроизвеждане на дистанционното управление, за да превключите източника на възпроизвеждане между FM / Bluetooth / Line in / USB / microSD.
- 3. Регулиране на силата на звука:** Завъртете въртящия бутон за управление на силата на звука върху горния панел или натиснете бутон VOL +/- на дистанционното управление, за да увеличите или да намалите силата на звука.
- 4. Регулиране на високите и ниските тонове:** първо натиснете за кратко бутона на менюто в горния панел, завъртете бутона за сила на звука, за да регулирате нивото на високите тонове, върху дисплея ще се появи съответната цифра за нивото на високите тонове. Натиснете отново бутона за регулиране на високите/ниските тонове, за да преминете към настройка на басите. Същата функция може да бъде постигната чрез натискане на бутона на високите тонове +/- на дистанционното управление.
- 5. Изключване на звука:** С натискане на бутон MUTE на върху горния панел или дистанционното управление ще изключите звука; Повторното натискане на този бутон ще включи звука на преди избраното ниво.
- 6. EQ еквалайзер:** Натиснете няколкократно бутона EQ на дистанционното управление, за да превключите режима на еквалайзера между настройките: FLAT/POP/ROCK/JAZZ/CLASSIC.
- 7. Възпроизвеждане / спиране:** натиснете бутон възпроизвеждане / пауза, за да спрете или да включите отново възпроизвеждане на музика в режим Bluetooth / USB/microSD.
- 8. Повтаряне и случайно възпроизвеждане:** Натиснете бутона за повтаряне, за да превключите възпроизвеждането на музика в режим на възпроизвеждане на едно произведение/цялостно повтаряне/възпроизвеждане на случаен принцип;
- 9. Осветление:** натиснете няколко пъти бутона за осветлението, за да превключите режим осветление между осемте светлини ефекта или да го изключите.
- 10. Бутони с цифри и бутон +10:** натиснете бутоните с цифри, за да изберете конкретен номер на произведение в режим възпроизвеждане USB/microSD; или превключите номера на програмираната радиостанция в FM режим. Натиснете бутон +10, за да изберете произведение с 10 номера по-високо.
- 11. Предишно/следващо произведение:** Натиснете за кратко избрания бутон, за да превключите предишния или следващия запис в режим възпроизвеждане Bluetooth/USB/microSD.
- 12. Обслужване на бутона на менюто:** това е многофункционален, бутон натиснете го многократно, за да превключите настройката за силата на звука на сопрано/бас/микрофон/ехо на микрофона/микрофон високи тонове/микрофон ниски тонове/китара; след това завъртете незабавно бутона за регулиране на силата на звука, за да регулирате подходящото ниво; Изчакайте малко, за да излезете от настройките. (Информация на дисплея: TE= ниво на сопрано, BS= ниво на бас, CU= сила на звука на микрофона, ES= ехо на микрофона, T= високи тонове на микрофона, V= ниски тонове на микрофона, GE= китара)

Употреба на радио FM

Преди да започнете да слушате радио FM, трябва да пренесете устройството по-близо до прозореца, за да имате по-добър сигнал FM. Устройството има вградена вътрешна антена за FM приемане.

- 1. Автоматично сканиране и програмиране на радиостанциите (автоматичен режим):** Натиснете за кратко бутона за възпроизвеждане/пауза на горния панел или дистанционното управление, за да сканирате автоматично и да запишете наличните радиостанции. След завършване на сканирането устройството автоматично ще започне възпроизвеждане на първата програмирана радиостанция. (Максимален брой обслужвани програмирани радиостанции: 40)
- 2. Избор на радиостанция:** в режим радио натиснете бутон следващо / предишно произведение върху горния панел или на дистанционното управление, за да изберете и да включите предишната или следващата програмирана радиостанция. Можете също така бързо да изберете програмирана станция, като въведете нейния номер с помощта на цифровите бутони на дистанционното управление.
- 3. Ръчна настройка:** натиснете и задръжте бутона предишно / следващо музикално произведение за около 2 секунди, за да сканирате достъпната радиостанция нагоре или надолу по честотната лента и автоматично да възпроизведете радиостанцията. Въведете честотата на радиостанцията с помощта на бутоните с цифри на дистанционното управление и изчакайте малко, устройството ще избере и ще възпроизведе желаната радиостанция.

Възпроизвеждане USB/microSD

Устройството е оборудвано с функция за възпроизвеждане USB/microSD, която може да декодира и да възпроизвежда музика от преносими USB/microSD памети. Преди да започнете възпроизвеждане, трябва да копирате музиката MP3/WMA върху преносима памет; Поставете паметта в устройството, тъй като режимът за възпроизвеждане USB/microSD е достъпен само, когато паметта е правилно инсталирана. След това устройството автоматично ще намери и ще възпроизведе MP3/WMA файловете.

Избор на музикално произведение: натиснете краткотрайно бутон предишно/следващо произведение, за да изберете предишната или следващата песен. Натиснете и задръжте бутона за превъртане, за да превъртите напред текущо възпроизвежданата песен, освободете бутона, за да възпроизведете песента по-нататък.

В режим USB/microSD са достъпни следните функции: възпроизвеждане / пауза, изключване на звука, повтаряне, еквалайзер, регулиране на високите / ниските тонове/ +10т.н. Подробна информация ще намерите в точка „Общи принципи на употреба“ в настоящата инструкция.

Забележки:

Не се препоръчва включване на USB памет с помощта на удължител USB, тъй като това може да повлияе върху качеството на възпроизвеждане звук и да генерира шум или прекъсване на звука поради загуба на аудио данни при трансфера на файловете.

- Не може да се гарантира декодирането и възпроизвеждането на всички произведения във формат MP3/WMA/WAV/FLAC.
- Устройството обслужва памет с максимален капацитет 32GB
- Автоматичното възпроизвеждане на някои USB памет, с оглед на техния тип и производител, може да бъде по-продължително; Не бива да се забравя, че това не е неизправност.

Действие на Bluetooth

Този продукт е оборудван с функция Bluetooth, която позволява безжично възпроизвеждане на музика от друго устройство Bluetooth (като смартфон, таблет и др.).

- Натиснете няколко пъти бутона за избор на източник на източник, за да включите режим Bluetooth, а символът Bluetooth ще мига върху дисплея, което означава, че устройството е готово за сдвояване.
- Включете функция Bluetooth във външното устройство и намерете достъпното устройство (запознайте се с инструкцията за употреба на външното устройство), след което проверете достъпните устройства Bluetooth в списъка. Маркирайте "BP PB06" за сдвояване. а след успешно сдвояване символът Bluetooth ще свети с постоянна светлина върху дисплея.
- Изберете и възпроизведете музиката от външното устройство Bluetooth, след което звукът ще бъде възпроизведен от високоговорителя в това устройство.
- Натиснете бутон предишно / следващо произведение, за да изберете последното и следващото произведение по време на възпроизвеждането.
- В режим Bluetooth може да бъде включена функцията за възпроизвеждане / пауза, изключване на звука, коригиране на звука, коригиране на високите и ниските тонове. Подробна информация ще намерите в точка „Общи принципи на употреба“ в настоящата инструкция.

Забележки:

- Не може да се гарантира правилна връзка с всички устройства Bluetooth поради различните конструкции и марки на устройствата.
- Работното разстояние в режим Bluetooth е 10 метра без никакви препятствия.
- Устройството може да бъде сдвояно и да работи съвместно само с едно устройство Bluetooth едновременно.
- В случай на телефонно обаждане по време на възпроизвеждане Bluetooth - музиката ще спре за момент и възпроизвеждането ще продължи след завършване на телефонния разговор.
- Натиснете продължително бутона възпроизвеждане/пауза в горния панел, за да завършите текущата връзка с устройството Bluetooth и да започнете сдвояване с друго устройство.

Функция безжично стерео Bluetooth TWS (True Wireless Stereo): Високоговорителят притежава функция безжично стерео TWS по време на възпроизвеждане чрез Bluetooth. Функцията е достъпна за два високоговорителя, превключена в режим Bluetooth. При първото включване на функцията на безжично стерео трябва да изберете един от двата високоговорителя като главно устройство. След това трябва да натиснете продължително (3 секунди) бутон „mode“ върху горния панел на главния високоговорител, за да го сдвоите с втория достъпен високоговорител. Когато TWS се сдвои успешно, високоговорителят ще генерира кратък звук. Дисплеят на подчинения високоговорител непрекъснато ще показва съобщение „SLAU“, а върху дисплея на главния високоговорител ще мига съобщение „BLUE“. След това можете да започнете сдвояване и работа с Bluetooth. Звукът ще се излъчва едновременно от двата високоговорителя. Ако режимът на възпроизвеждане е променен на FM/microSD/USB или AUX в главния високоговорител, звукът ще продължи да се излъчва и от двата сдвоени високоговорителя. При първото сдвояване TWS от високоговорителите могат да се излъчат кратки звуци "са са са...", което не е повреда.

В режим възпроизвеждане TWS всички настройки ще бъдат достъпни в главния високоговорител. Някои функции не са налични в подчинения високоговорител, моля, имайте предвид, че това не е неизправност. След изключване на главния високоговорител възпроизвеждането TWS ще бъде спряно. В случай на включване/изключване на режим готовност, включване/изключване на високоговорителя, трябва да натиснете продължително (3 секунди) бутона за режим възпроизвеждане, за да сдвоите високоговорителите отново в режим TWS. Продължителното натискане на бутона за режим възпроизвеждане отново ще разедини сдвоените високоговорители в режим TWS.

Работа в режим AUX IN

За да свържете и да възпроизведете музика от друг плейър или устройство, трябва да следвате инструкцията по-долу: Използвайте аудио кабел трябва (приложен в комплекта) да свържете гнездото AUX IN горния панел с линейния изход или с гнездото на слушалките на плейър като например MP3, CD, DVD, миксер и др. След това изберете и възпроизведете музиката на външния плейър, а звукът ще бъде възпроизведен от настоящето устройство.

В режим AUX-IN главният контрол над възпроизвеждането се извършва от външен плейър. В това устройство можете да контролирате силата на звука, да изключите звука и да регулирате нивото на басите и сопраните. оизвежда както от високоговорителите на това устройство, така и от външния активен високоговорител.

Караоке

Отворете капака на батериите на безжичния микрофон (приложен в комплекта), поставете 2 бр. сухи батерии с размер AA (не са приложени в комплекта) съгласно нанесените символи за положителния и отрицателния полюс в камерата на батериите, след което затворете капака на батериите на микрофона. Поставете превключвателя на позиция включен, за да включите микрофона. След няколко секунди високоговорителят ще се свърже с безжичния микрофон. Настройте съответното ниво на силата на звука на микрофона от горния панел, а след това можете да започнете да пеете. Устройството е оборудвано също така и с гнездо за жичен микрофон. Включете конектора на жичния микрофон (не е приложен в комплекта) в гнездото 6,5 mm, след което включете микрофона и сега можете да започнете да пеете.

Указания:

- За да настроите силата на звука на микрофона/ехо на микрофона/микрофон високи тонове/микрофон ниски тонове: натиснете бутона на менюто многократно, за да превключите настройката за сила на звука на

- сопрано/бас/микрофон/ехо на микрофона/микрофон високи тонове/микрофон ниски тонове/китара; след това завъртете незабавно бутон за регулиране на силата на звука, за да регулирате подходящото ниво; Изчакайте за момент, за да излезете от настройките. (Информация на дисплея: TE= ниво на сопрано, BS= ниво на бас, CU= сила на звука на микрофона, ES= ехо на микрофона, T= високи тонове на микрофона, V= ниски тонове на микрофона, GE= китара)
- b. Високоговорителят може да генерира силен шум или да деформира звука, когато нивото на силата на звука, настройката на басите и сопраните или функцията ехо са настроени на твърде високо ниво. Това не е неизправност. Трябва да намалите нивото на горните настройки, след което да включите или да изключите микрофона.
- c. Можете да използвате функция караоке и едновременно да слушате музика. Когато искате да увеличите силата на звука на караоке и да намалите силата на звука на фоновата музика, можете отделно да регулирате силата на звука на микрофона и нивото на звука на високоговорителя с помощта на съответните въртящи бутони.
- d. Когато микрофонът е поставен до високоговорителя, трябва да го изключите. В противен случай ще генерира силен шум.
- e. Върху корпуса на безжичния микрофон се намира бутон за изключване на звука, който изключва звука на микрофона.
- f. В този модел има функция за приоритет на микрофона. Ако активирате тази функция от дистанционното управление, от високоговорителя на първо място ще се възпроизвежда звукът на микрофона (музиката ще бъде заглушена); възпроизвеждането на фоновата музика ще се възобнови автоматично, когато приключите използването на микрофона.
- g. Безжичните и жичните микрофони могат да се използват едновременно.

Вход за китара: Устройството има възможност за свързване на музикален инструмент като китара, с помощта на гнездо за китара 6,3 mm на горния панел. За тази цел трябва да използвате допълнителен кабел (не е включен в комплекта). Натиснете няколкократно бутона на менюто в горния панел, за да превключите настройката за силата на звука на китарата (показаната информация GE се отнася за китарата); след това веднага завъртете бутона за сила на звука, за да регулирате подходящото ниво; Изчакайте малко, за да излезете от настройките. Звукът от китарата ще бъде възпроизвеждан от високоговорителя. Можете също да регулирате силата на звука на китарата с натискане на бутон GT +/-GT- на дистанционното управление.

Решаване на проблеми

- Високоговорителят не може да се включи.
 - Проверете, дали захранването е свързано правилно.
- Липса на звук.
 - Опитайте се да регулирате въртящото копче за силата на звука и да проверите източника на възпроизвеждане.
 - Ако проблемът не бъде отстранен, свържете се със сервизен център.
- Деформиране на звука.
 - Опитайте се да адаптирате и да възпроизведете музиката с по-ниско ниво на звука.
 - Проверете състоянието на регулирането на високите / ниските тонове.
- Шум при слушане на радиостанция FM.
 - Преместете устройствата на друго място с цел приемане на по-добър сигнал на радиостанцията.
 - Включете отново сканиране или сменете радиостанцията.

Спецификация

Източник на захранване: AC 110-240V, 50/60 Hz.

Захранване от акумулатора: 7,4V/5000mAh

Честота FM: 87,5-108,0 MHz.

USB гнездо: 5V, 500mA, версия 2.0, обслужване на памети с капацитет до 32 GB.

Карта microSD: обслужвани носители до 32 GB.

USB / карти microSD обслужват следните музикални формати: MP3, WMA, WAV, FLAC (не се гарантира възпроизвеждане на всички файлове от този тип)

Bluetooth: V5.0, работно разстояние до 10m

Изходна мощност RMS: 2 x 20W

Микрофон: вход 1 x 6,5 mm, включване на жичен микрофон.

2 x безжичен микрофон (честота: 208,8 MHz, 215 MHz, източник на захранване: 2 x 1,5 V, AA)

1 x вход за китара.

Консумация на мощност: 40W,

Консумация на мощност в режим готовност: <0,5W.

(Горната спецификация може да бъде променена без предизвестие.)

ΣΗΜΑΝΤΙΚΕΣ ΠΛΗΡΟΦΟΡΙΕΣ ΣΧΕΤΙΚΑ ΜΕΤΗΝ ΑΣΦΑΛΕΙΑ

ΠΡΟΕΙΔΟΠΟΙΗΣΗ

**ΚΙΝΔΥΝΟΣ ΗΛΕΚΤΡΟΠΛΗΞΙΑΣ
ΜΗΝ ΑΝΟΙΓΕΤΕ**
Προειδοποίηση:

Για να μειώσετε τον κίνδυνο ηλεκτροπληξίας, δεν επιτρέπεται να αποσυναρμολογήσετε το κάλυμμα ούτε το οπίσθιο μέρος της συσκευής. Μέσα στη συσκευή δεν υπάρχουν εξαρτήματα προορισμένα για επισκευή από τον χρήστη. Η συντήρηση και η επισκευή του εξοπλισμού εκτελείται αποκλειστικά από τους εξουσιοδοτημένους υπαλλήλους σέρβις.

Εξηγήσεις γραφικών συμβόλων


Το σύμβολο αστραπής με το βέλος στην άκρη της μέσα στο ισόπλευρο τρίγωνο προειδοποιεί τον χρήστη από μη μονωμένη, "επικίνδυνη ηλεκτρική τάση" στο περίβλημα της συσκευής που μπορεί να έχει την τιμή η οποία προκαλεί ηλεκτροπληξία.



Το σύμβολο θαυμαστικού στο ισόπλευρο τρίγωνο προειδοποιεί τον χρήστη ότι σε αυτό τον τόπο των τεκμηρίωσεων που συνάπτεται στη συσκευή, παρουσιάζονται σημαντικές πληροφορίες σχετικά με τον χειρισμό και τη συντήρηση της συσκευής.

Παρακαλούμε να διαβάσετε αυτές τις οδηγίες χρήσης πριν αρχίσετε να χειρίζεστε τη συσκευή, για να γνωρίσετε τις λειτουργίες της και να τη χρησιμοποιήσετε σύμφωνα με τον προορισμό της. Έτσι διασφαλίζετε τον διαρκή χειρισμό της συσκευής χωρίς βλάβες και απόλαυση από τη χρήση της συσκευής.

Σημαντικές πληροφορίες

- Πρέπει να κρατήσετε τις οδηγίες χρήσης και τις πληροφορίες σχετικά με την ασφάλεια με σκοπό τη μελλοντική χρήση τους.
- Μην επιτρέψετε κανένα υγρό να στάξει ή να χυθεί στη συσκευή.
- Δεν επιτρέπεται να χρησιμοποιήσετε τη συσκευή σε μέρη με υγρασία όπως π.χ. μπάνιο.
- Δεν επιτρέπεται να εγκαταστήσετε αυτή τη συσκευή στα ακόλουθα μέρη:
- Μέρη εκτεθειμένα στην άμεση ακτινοβολία ή κοντά σε θερμάστρες.
- Μην τοποθετείτε πάνω στη συσκευή άλλο εξοπλισμό στερεό που εκπέμπει θερμότητα.
- Όπου μπλοκάρεται ο εξαερισμός ή σε μέρος με σκόνη.
- Σε μέρη εκτεθειμένα σε συνεχείς δονήσεις.
- Σε μέρη με μεγάλη υγρασία.
- Δεν επιτρέπεται να τοποθετήσετε τη συσκευή δίπλα σε κερία και ανοιχτή φλόγα.
- Μπορείτε να χρησιμοποιήσετε τη συσκευή με τον τρόπο που περιγράφεται στις παρούσες οδηγίες χρήσης.
- Πριν από την πρώτη ενεργοποίηση, πρέπει να βεβαιωθείτε ότι το τροφοδοτικό είναι κατάλληλα συνδεδεμένο.
- Η μήνημ USB συνδεδεμένη άμεσα ή με επέκταση USB μήκους έως 25 cm.

Για λόγους ασφαλείας δεν επιτρέπεται να αποσυναρμολογήσετε το περίβλημα ούτε να έχετε πρόσβαση στο μέσο της συσκευής. Η συσκευή πρέπει να επισκευαστεί από το εξειδικευμένο προσωπικό του σέρβις.

Δεν επιτρέπεται να ξεβιδώσετε τη συσκευή ούτε να ανοίξετε το περίβλημά της, γιατί μέσα δεν υπάρχουν εξαρτήματα που μπορεί να επισκευαστούν από τον χρήστη. Η συντήρηση και η επισκευή του εξοπλισμού εκτελείται αποκλειστικά από τους εξουσιοδοτημένους υπαλλήλους σέρβις.

ΣΗΜΑΝΤΙΚΕΣ ΠΛΗΡΟΦΟΡΙΕΣ ΣΧΕΤΙΚΑ ΜΕΤΗΝ ΑΣΦΑΛΕΙΑ

1. Διαβάστε τις οδηγίες χρήσης – πριν χρησιμοποιήσετε τη συσκευή πρέπει να διαβάσετε όλες τις οδηγίες χρήσης και τις πληροφορίες για την ασφάλεια.
2. Φυλάξτε τις οδηγίες χρήσης – πρέπει να φυλάξετε τις οδηγίες χρήσης και χειρισμού με σκοπό να τις χρησιμοποιήσετε στο μέλλον.
3. κολουθήστε τις προειδοποιήσεις – πρέπει να ακολουθήσετε όλες τις προειδοποιήσεις που είναι τοποθετημένες πάνω στη συσκευή και να ακολουθήσετε τις οδηγίες χρήσης.
4. Ακολουθήστε τις οδηγίες χρήσης – πρέπει να ακολουθήσετε τις οδηγίες χρήσης και τις συμβουλές για τον χρήστη.
5. Εγκατάσταση – πρέπει να τοποθετήσετε τη συσκευή σύμφωνα με τις οδηγίες του κατασκευαστή.
6. Πηγή τροφοδοσίας – η συσκευή πρέπει να τροφοδοτηθεί αποκλειστικά από τις πηγές με τις παραμέτρους που αναφέρονται στις επισημάνσεις του καλωδίου τροφοδοσίας. Αν ο χρήστης δεν είναι σίγουρος ποιανού τύπου τροφοδοσία έχει στο σπίτι του, πρέπει να επικοινωνήσει με τον πωλητή της συσκευής ή τον τοπικό προμηθευτή ηλεκτρικής ενέργειας.
7. Γείωση και πόλωση της συσκευής – η συσκευή πρέπει να έχει γείωση. Πρέπει να βεβαιωθείτε ότι το φως είναι τελικά τοποθετημένο στην πρίζα ηλεκτρικού δικτύου ή της επέκτασης, για να μην αφήσετε τους πείρους ή τους επαφές του φως χωρίς κάλυμμα. Κάποιες εκδόχές της συσκευής μπορεί να είναι εξοπλισμένες με πολωμένο φως ενδοασσόμενου ρεύματος (με έναν πείρο πλατύτερο). Μπορείτε να βάλετε αυτό το φως στην πρίζα μόνο με έναν τρόπο. Αυτό είναι η λειτουργία προστασίας. Αν δεν μπορείτε να βάλετε το φως στην πρίζα, πρέπει να το περιστρέψετε. Αν το φως εξακολουθεί να μην ταίριαζει στην πρίζα, πρέπει να δώσετε εντολή στον ηλεκτρολόγο να αντικαταστήσει την πρίζα. Δεν επιτρέπεται να βγάλετε τα προστατευτικά του πολωμένου φως. Όταν χρησιμοποιείτε επέκταση ή καλώδιο τροφοδοσίας διαφορετικό από αυτό που παραδίδεται μαζί με τη συσκευή, αυτά πρέπει να έχουν κατάλληλα φια και το πιστοποιητικό ασφαλείας.
8. Προστασία του καλωδίου τροφοδοσίας – τα καλώδια τροφοδοσίας πρέπει να δρομολογούνται έτσι, ώστε να μην τα πατάτε, να μην τα πιέζετε και μην τα κόβετε με τοποθετημένα πάνω τους αντικείμενα. Δώστε ειδική σημασία στα φια, τις πρίζες ηλεκτρικού δικτύου και του τόπου όπου τα καλώδια είναι τοποθετημένα μέσα στη συσκευή.
9. Υπερφόρτωση – Δεν επιτρέπεται να υπερφορτώσετε τις ηλεκτρικές πρίζες τοίχου, τις επεκτάσεις και τους διαχωριστές, γιατί αυτό προκαλεί κίνδυνο πυρκαγιάς ή ηλεκτροπληξίας.
10. Εξαερισμός – η συσκευή πρέπει να έχει κατάλληλο εξαερισμό. Δεν επιτρέπεται να τοποθετήσετε τη συσκευή πάνω σε ένα κρεβάτι, έναν καναπέ ή σε παρόμοιες επιφάνειες. Δεν επιτρέπεται να καλύψετε τη συσκευή με τραπεζομάνηλα, πετσέτες, εφημερίδες κλπ.

12. Νερό και υγρασία – για να μειώσετε τον κίνδυνο πυρκαγιάς ή ηλεκτροπληξίας, δεν επιτρέπεται να εκθέτετε τη συσκευή στην άμεση επίδραση βροχής, νερού και υγρασίας όπως π.χ. στη σάουνα ή το μπάνι. Μην χρησιμοποιείτε την παρούσα συσκευή δίπλα σε νερό, π.χ. δίπλα σε μια μπανιέρα, νιπτήρα, νεροχύτη κουζίνας ή σκάφη, σε ένα υπόγειο με υγρασία ή δίπλα σε ποίνα (ή σε παρόμοιους τόπους).
13. Αντικείμενα και υγρά μέσα στη συσκευή – δεν επιτρέπεται να πιέσετε οποιοδήποτε αντικείμενο μέσα από τα ανοίγματα της συσκευής, γιατί αυτά μπορεί να έχουν επαφή με τα σημεία της επικίνδυνης ηλεκτρικής τάσης και τα υποστούματα και αυτό μπορεί να προκαλέσει πυρκαγιά. Σε καμία περίπτωση μη χύσετε οποιοδήποτε υγρό δίπλα στη συσκευή. Δεν επιτρέπεται να βάζετε πάνω στη συσκευή τα αντικείμενα που περιέχουν υγρά.
14. Καθαρισμός – πάντα πρέπει να απουσνδέετε τη συσκευή από την πρίζα ηλεκτρικού δικτύου πριν από καθαρισμό. Η σκόνη γύρω από το ηχείο μπορεί να αφαιρεθεί με ένα ύφασμα. Αν χρησιμοποιείτε ένα αερόλυμα για καθαρισμό, μην κατευθύνετε τη ροή ψεκασμού άμεσα στη συσκευή, αλλά σε ένα πανί. Πρέπει να προσέξετε να μη χαλάσετε να μη χαλάσετε μεμονωμένα μετάρους κίνησης.
15. Πρόσθετος εξοπλισμός – μη χρησιμοποιήσετε αξεσουάρ που δεν επιτρέπονται από τον κατασκευαστή, γιατί αυτά μπορούν να προκαλέσουν κίνδυνο.
16. Αξεσουάρ – μην τοποθετείτε τη συσκευή σε ασταθές καροτσάκι, υποστήριγμα, τρίποδο, βάση ή τραπέζι. Η συσκευή μπορεί να ανατραπεί και να χαλάσει καθώς και να προκαλέσει σοβαρά τραύματα σε παιδιά και σε ηλικιωμένα πρόσωπα. Πρέπει να χρησιμοποιήσετε αποκλειστικά καροτσάκια, υποστήριγμα, τρίποδα, βάσεις ή τραπέζια που ορίζονται από τον κατασκευαστή ή που πωλούνται μαζί με τη συσκευή. Εκτελέστε τη συναρμολόγηση της συσκευής σύμφωνα με τις οδηγίες του κατασκευαστή ή χρήση του σετ συναρμολόγηση που προτείνεται από τον κατασκευαστή.
17. Μεταφορά της συσκευής – πρέπει να μεταφέρετε τη συσκευή τοποθετημένη σε καροτσάκι πολύ προσεκτικά. Ξαφικό σταμάτημα, υπερβολική δύναμη ή ανώμαλες επιφάνειες μπορεί να προκαλέσουν ανατροπή της καροτσάκι μαζί με τη συσκευή.
18. Περίοδος όταν η συσκευή δεν χρησιμοποιείται – πρέπει να απουσνδέσετε το καλώδιο τροφοδοσίας από την πρίζα ηλεκτρικού δικτύου κατά τις καταιγίδες με κεραυνούς ή όταν δεν χρησιμοποιείτε τη συσκευή πολύ ώρα.
19. Σέρβις – μην δοκιμάσετε να εκτελέσετε επεωρησεις της συσκευής μόνοι σας. Το να ανοίξετε το κάλυμμα μπορεί να προκαλέσει επαφή με επικίνδυνη ηλεκτρική τάση και να εκτεθεί ο χρήστης σε άλλο κίνδυνο. Η συντήρηση και η επισκευή του εξοπλισμού εκτελείται αποκλειστικά από τους εξουσιοδοτημένους υπάλληλους σέρβις.
20. Όταν δεν χρησιμοποιείτε τη συσκευή, πρέπει να απουσνδέσετε το φως της από την πρίζα ηλεκτρικού δικτύου. Όταν η συσκευή είναι συνδεδεμένη στην πηγή ηλεκτρικής ενέργειας, είναι στον τρόπο λειτουργίας αναμονής και δεν είναι απολύτως απενεργοποιημένη.
21. Ανταλλακτικά – όταν αντικαθιστάτε εξαρτήματα πρέπει να ελέγχετε αν ο υπάλληλος του σέρβις έχει χρησιμοποιήσει τα ανταλλακτικά που προτείνονται από τον κατασκευαστή ή τα εξαρτήματα είναι ίδια όπως τα γνήσια εξαρτήματα. Η αντικατάσταση εξαρτημάτων με μην εγκριμένα προκαλεί κίνδυνο πυρκαγιάς και άλλους κινδύνους.
22. Κύριες ηλεκτρικές ασφάλειες – για να προστατέψετε με συνεχή τρόπο τη συσκευή από πιθανή πυρκαγιά, πρέπει να χρησιμοποιήσετε τις ασφάλειες κατάλληλου τύπου και παραμέτρων. Οι παράμετροι των ασφαλειών του ορισμένου φάσματος της ηλεκτρικής τάσης επισημαίνονται πάνω στη συσκευή.
23. Δεν επιτρέπεται να αυξήσετε την ένταση ήχου όταν ακούτε ένα κομμάτι το οποίο έχει χαμηλή ένταση ήχου ή όταν δεν υπάρχει σήμα ήχου εισόδου. Σε αντίθετη περίπτωση, ενδέχεται να χαλάσετε το ηχείο με την εφαιρική αύξηση της έντασης του σήματος.
24. Η μοναδική λύση να απουσνδέσετε πλήρως τη συσκευή από την πηγή ηλεκτρικής ενέργειας είναι η απουσνδεση του καλωδίου τροφοδοσίας από την πρίζα ηλεκτρικής ενέργειας ή από τη συσκευή. Η πρίζα ηλεκτρικού δικτύου ή η υποδοχή του καλωδίου τροφοδοσίας στη συσκευή πάντα πρέπει να είναι διαθσίσιμες κατά τη χρήση της συσκευής.
25. Η συσκευή πρέπει να τοποθετηθεί δίπλα σε πρίζα ηλεκτρικού δικτύου ή επέκταση έτσι ώστε να είναι πάντα διαθέσιμες.
26. Η μέγιστη θερμοκρασία περιβάλλοντος πρέπει είναι 35°C.
27. Οδηγίες σχετικά με τις ηλεκτροστατικές εκκινήσεις - αν η λειτουργία της συσκευής διαταράσσεται με τις ηλεκτροστατικές εκκινήσεις, πρέπει να την απενεργοποιήσετε κα να την ενεργοποιήσετε ξανά ή να μεταφέρετε τη συσκευή σε άλλο τόπο.
28. Μπαταρία
- a. Δεν επιτρέπεται να εκθέτετε τις μπαταρίες στη δράση υπερβολικής ζέστης όπως π.χ. ηλιακή ακτινοβολία.
- b. Κατά τη διάθεση των μπαταριών, πρέπει να δώσετε σημασία στις παραμέτρους της προστασίας του περιβάλλοντος.
- c. Προειδοποίηση σχετικά με χρήση των μπαταριών: για να μην επιτρέψετε αποσφράγιση των μπαταριών που μπορεί να προκαλέσει τραύματα ή να χαλάσει τη συσκευή:
- Όταν βάζετε τη μπαταρία δώστε σημασία στην πόλωση της (+ και -).
 - Δεν επιτρέπεται να χρησιμοποιήσετε ταυτόχρονα διαφορετικές μπαταρίες - καινούργιες και μεταχειρισμένες, τις μπαταρίες στάνταρ και αλκαλικές κλπ.
 - Πρέπει να βγάλετε τις μπαταρίες από τη συσκευή δεν τη χρησιμοποιείτε πολλή ώρα.

ΠΡΟΕΙΔΟΠΟΙΗΣΗ

Η συσκευή δεν επιτρέπεται να χρησιμοποιηθεί από πρόσωπα (συμπεριλαμβανόμενων των παιδιών) με μειωμένη φυσική και αισθητηριακή ικανότητα και τα πρόσωπα με ανεπαρκή γνώση και εμπειρία, αν δεν είναι υπό την εποπτεία του προσώπου που είναι υπεύθυνο για την ασφαλεία τους και δεν έχουν εκπαιδευθεί πως να χρησιμοποιούν τη συσκευή με ασφαλή τρόπο. Η παρουσία των ενηλίκων απαιτείται όταν τα παιδιά χειρίζονται τη συσκευή - έτσι θα διασφαλιστεί την ασφαλή χρήση της συσκευής.

1. Δεν επιτρέπεται να αφήνετε τη συσκευή όταν λειτουργεί χωρίς καμία εποπτεία! Πρέπει να απενεργοποιείτε τη συσκευή όταν δεν τη χρησιμοποιείτε, ακόμη για ένα σύντομο διάστημα.
2. Δεν επιτρέπεται να μεταχειρίζεστε τη συσκευή μέσα από ένα εξωτερικό ρολόι με χρονικό σύστημα ούτε με ξεχωριστό σύστημα τηλεχειρισμού.
3. Για να αποφύγετε κίνδυνο σε περίπτωση βλάβης του καλωδίου τροφοδοσίας, η αντικατάστασή του πρέπει να εκτελείτε από τον κατασκευαστή, την εξουσιοδοτημένη υπηρεσία σέρβις ή άλλο πρόσωπο που διαθέτει τα κατάλληλα προσόντα.
4. Πριν αρχίσετε να χειρίζεστε τη συσκευή, πρέπει να ελέγξετε αν η τάση της είναι συμβατή με την τάση του τοπικού ηλεκτρικού δικτύου.
5. Δεν επιτρέπεται να καλύπτετε τα ανοίγματα εξαερισμού π.χ. με εφημερίδες, τραπεζομάνηλα, κουρτίνες κλπ.. Πρέπει να βεβαιωθείτε ότι πάνω από τη συσκευή υπάρχει ένας ελεύθερο χώρος τουλάχιστον 20 cm και από κάθε πλευρά της - τουλάχιστον 5 cm.
6. Δεν επιτρέπεται να στάξει ή να χυθεί κανένα υγρό στη συσκευή και δεν επιτρέπεται να βάζετε πάνω στη συσκευή κανένα αντικείμενο γεμάτο με υγρό όπως π.χ. ένα βάζο.
7. Για να αποφύγετε πυρκαγιά ή ηλεκτροπληξία, πρέπει να προστατεύετε τη συσκευή από ζεστούς τόπους, τη δράση της βροχής, της υγρασίας και της σκόνης.
8. Δεν επιτρέπεται να τοποθετείτε τη συσκευή κοντά σε οποιαδήποτε πηγή νερού όπως π.χ. βρύσες, μπανιέρες, πλυντήρια ή πισίνες κολύμβησης. Η συσκευή πρέπει να τοποθετηθεί σε μια ίσια και σταθερή βάση.

9. Δεν επιτρέπεται να εκθέτετε τη συσκευή σε ισχυρό μαγνητικό πεδίο.
10. Δεν επιτρέπεται να βάζετε τη συσκευή αμέσως στον ενισχυτή, δέκτη ή διακόπτη.
11. Δεν επιτρέπεται να βάζετε τη συσκευή σε ένα μέρος με υγρασία, γιατί η υγρασία έχει αρνητική επίδραση στα ηλεκτρικά συστήματα.
12. Μετά από μεταφορά της συσκευής από κρύο σε ζεστό τόπο ή σε τόπο με υγρασία, μπορεί να προκληθεί υγρασία της υγρασίας πάνω στον φακό μέσα στη συσκευή αναπαραγωγής. Σε μια τέτοια περίπτωση η συσκευή δεν θα λειτουργήσει ουστά. Πρέπει να αφήσετε τη συσκευή απενεργοποιημένη για περίπου μια ώρα, για να επιτρέψετε την εξάτμιση της υγρασίας.
13. Δεν επιτρέπεται να καθαρίζετε τη συσκευή με χημικούς διαλύτες, γιατί μπορεί να χαλάσουν το βερνίκι του περιβλήματος. Σκουπίζετε τη συσκευή με ένα καθαρό, στεγνό ή λίγο μουσκεμένο πανί.
14. Όταν βγάξετε το φιλ από την πρίζα τοίχου, πάντα πρέπει να τραβάτε το φιλ και όχι το καλώδιο.
15. Όταν η ενεργοποιημένη συσκευή χρησιμοποιείται δίπλα σε ενεργοποιημένη τηλεόραση, μπορεί να είναι πηγή διαταραχών όρασης με τη μορφή γραμμών στην οθόνη. Αυτό εξαρτάται από τη ζώνη κυμάτων μετάδοσης της TV. Αυτό δεν σημαίνει ότι η συσκευή ή η τηλεόραση δεν λειτουργούν κατάλληλα. Αν αυτές γραμμές είναι ορατές, πρέπει να απομακρύνετε τη συσκευή από την τηλεόραση.
16. Το φιλ ηλεκτρικού δικτύου χρησιμοποιείται για αποσύνδεση της ηλεκτρική τάσης τροφοδοσίας και πάντα πρέπει να είναι διαθέσιμο.
17. Για να μην επιτρέψετε πιθανή απώλεια ακοής, δεν επιτρέπεται να ακούτε μουσική πολύ δυνατά για πολλή ώρα.



ΠΡΟΣΟΧΗ



Δήλωση

Δια του παρόντος η εταιρεία Blaupunkt Competence Center 2N-Everpol Sp. z o.o. δηλώνει ότι η παρούσα συσκευή είναι συμβατή με τις προϋποθέσεις και τις λοιπές σχετικές προβλέψεις της οδηγίας 2014/53 / EE. Μπορείτε να λάβετε την πλήρη δήλωση συμβατότητας από την ιστοσελίδα www.blaupunkt.com στην καρτέλα του προϊόντος.

Κάτοχος άδειας κυκλοφορίας: 2N-Everpol Sp. z o.o.
Puławska 403A, 02-801 Warszawa, Πολωνία
Τηλέφωνο: +48 22 688 08 00, e-mail: info@everpol.pl



Το προϊόν κατασκευάστηκε από υλικά υψηλής ποιότητας και τα συστήματα, τα οποία μπορούν να ανακυκλωθούν και να χρησιμοποιηθούν ξανά.



Εάν υπάρχει σύμβολο διαγραμμένου κάδου απορριμμάτων στη συσκευή σας, σημαίνει ότι το προϊόν καλύπτεται από τις διατάξεις της Ευρωπαϊκής Οδηγίας 2012/19/EE. Με βάση αυτό, ακολουθήστε τους τοπικούς κανονισμούς και εξοικειωθείτε με τις απαιτήσεις για το τοπικό ηλεκτρικό και ηλεκτρονικό σύστημα συλλογής απορριμμάτων και, στην περίπτωση αυτού του προϊόντος, συμμορφωθείτε με αυτές.

ΜΗΝ ΑΠΟΡΡΙΠΤΕ ΑΥΤΟ ΤΟ ΠΡΟΪΟΝ ΜΕ ΤΑ ΟΙΚΙΑΚΑ ΣΑΣ ΑΠΟΒΑΗΤΑ!

ΑΥΤΟ ΤΟ ΠΡΟΪΟΝ ΠΕΡΙΧΕΙ ΕΠΙΚΙΝΔΥΝΕΣ ΟΥΣΙΕΣ, ΜΙΓΜΑΤΑ ΚΑΙ ΣΥΣΤΑΤΙΚΑ ΤΑ ΟΠΟΙΑ, ΕΑΝ ΜΗ ΕΓΚΕΚΡΙΜΕΝΟ, ΜΠΟΡΕΙ ΝΑ ΕΙΝΑΙ ΠΗΓΗ ΠΘΑΝΩΝ ΕΠΙΔΡΑΣΕΩΝ ΣΤΟ ΦΥΣΙΚΟ ΠΕΡΙΒΑΛΛΟΝ ΚΑΙ ΣΤΗΝ ΥΓΕΙΑ ΤΟΥ ΑΝΘΡΩΠΟΥ!

Η ουσιαστική απόρριψη του χρησιμοποιημένου προϊόντος θα αποτρέψει αρνητικές επιπτώσεις στο περιβάλλον και την ανθρωπότητα.



Η συσκευή είναι εξοπλισμένη με μπαταρίες οι οποίες ορίζονται με την ευρωπαϊκή οδηγία 2006/66/EC. Δεν επιτρέπεται να απορριπτε τις μπαταρίες μαζί με τα οικιακά απορρίμματα. Πρέπει να εξοικειωθείτε με τους τοπικούς κανονισμούς για την ξεχωριστή συγκέντρωση των μπαταριών, διότι η κατάλληλη διάθεση προστατεύει από πιθανά αρνητικά αποτελέσματα της για το φυσικό περιβάλλον και την ανθρωπότητα.

Πληροφορίες για την προστασία του περιβάλλοντος

Η συσκευασία περιέχει μόνο τα απαραίτητα στοιχεία. Έχει καταβληθεί κάθε δυνατή προσπάθεια ώστε τα τρία συστατικά της συσκευασίας να διαχωριστούν εύκολα: χαρτί (κουτί), αφρός πολυστερίνης (προστατευτικά μέσα στη συσκευασία) και πολυαιθυλένιο (σακούλες, προστατευτικό φύλλο). Η συσκευή κατασκευάστηκε από υλικά τα οποία μπορούν να ανακυκλωθούν και να χρησιμοποιηθούν ξανά μετά την αποσυμφορμή τους. Πρέπει να ακολουθήσετε τους τοπικούς κανονισμούς σχετικά με τη διάθεση των υλικών συσκευασίας, των μεταχειρισμένων μπαταριών και των περιττών συσκευών.

Η εγγραφή και αναπαραγωγή υλικού μπορεί να απαιτήσει σχετική άδεια. Βλέπε το περίπνευματικό δικαιώματων και των δικαιωμάτων/δημιουργών/καλλιτεχνών νόμο.

Παρατήρηση σχετικά με τις ERP2 (Συσκευές σχετικά με την ενέργεια)

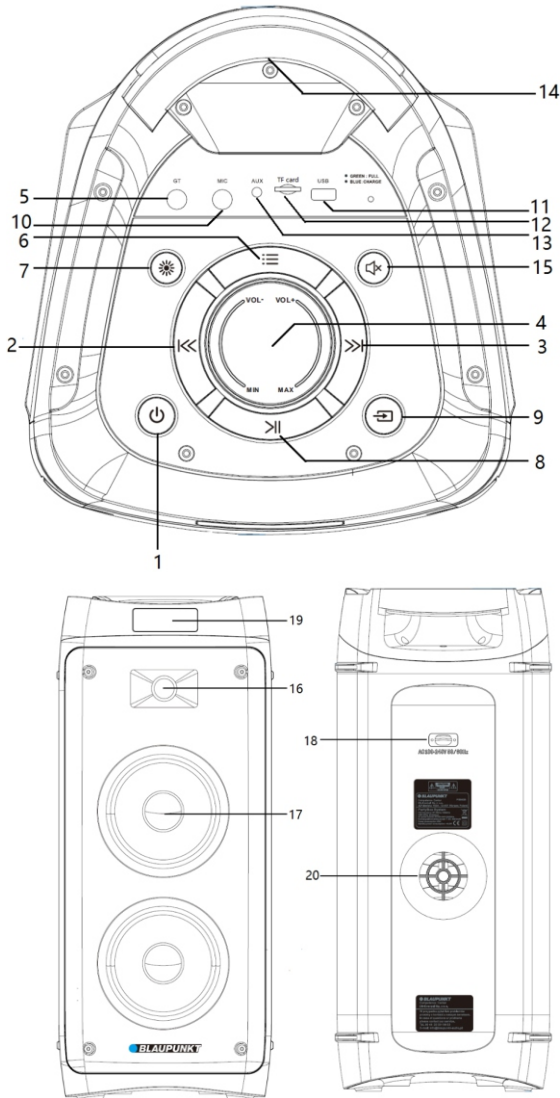
Η παρούσα συσκευή είναι οικολογικού σχεδιασμού και πληροί τις απαιτήσεις της φάσης 2 του Κανονισμού (ΕΚ) αριθ. 1275/2008 της Επιτροπής περί εφαρμογής της οδηγίας 2009/125/ΕΚ σχετικά με την κατανάλωση ενέργειας σε κατάσταση απενεργοποίησης και αναμονής του ηλεκτρικού και ηλεκτρονικού εξοπλισμού γραφείου και οικιακού εξοπλισμού.



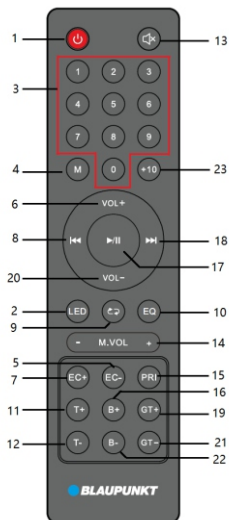
Ο κάτοχος των εμπορικών σημάτων και του λογότυπου Bluetooth® είναι η εταιρεία Bluetooth SIG, Inc. USA. Η εκμετάλλευση αυτών των σημάτων και του λογότυπου καλύπτεται από την άδεια χρήσεως. Άλλα σήματα και em

Ευχαριστούμε για αγορά της συσκευής μας. Πριν να αρχίσετε χειρισμό πρέπει αν διαβάσετε προσεκτικά και να εξοικειωθείτε με τις παρούσες οδηγίες χρήσης. Παρακαλούμε να κρατήσετε τις οδηγίες χρήσης για μελλοντική χρήση τους.

Πάνελ χειρισμού



- 1- Διακόπτης ενεργοποίησης / απενεργοποίησης;
- 2,3- Προηγούμενο / επόμενο;
- 4- Ρύθμιση έντασης ήχου;
- 5- Είσοδος κιθάρας;
- 6- Κουμπιού μενού, πατήστε το αρκετές φορές για να μεταβείτε στις ρυθμίσεις πριμών/μπάσου/έντασης ήχου μικροφώνου/ήχους μικροφώνου/πριμών μικροφώνου/μπάσου μικροφώνου/έντασης κιθάρας;
- 7- Φωτισμός disco;
- 8- Αναπαραγωγή / παύση;
- 9- Πλήκτρο επιλογής πηγής;
- 10- Ενσύρματη υποδοχή εισόδου μικροφώνου;
- 11- Πόρτα USB;
- 12- Υποδοχή καρτών microSD;
- 13- Υποδοχή AUX IN;
- 14- Λαβή;
- 15- Σίγαση;
- 16- Ηχείο υψηλών συχνοτήτων;
- 17- Ηχείο μεσαίων και χαμηλών συχνοτήτων;
- 18- Υποδοχή καλωδίου τροφοδοσίας AC;
- 19- Οθόνη;
- 20- Θύρα Bass-Reflex.



Τηλεχειριστήριο

- 1 - Κουμπί τροφοδοσίας
- 2 - Κουμπί ενεργοποίησης/απενεργοποίησης του φωτισμού disco
- 3 - Αριθμητικά κουμπιά
- 4 - Κουμπί ενεργοποίησης/απενεργοποίησης λειτουργίας τυχαία αναπαραγωγής
- 5, 7 - Κουμπιά ρύθμισης αντήχησης +/-
- 6, 20 - Κουμπιά ρύθμισης έντασης ήχου +/-
- 8, 18 - Προηγούμενο και επόμενο, κουμπί καναλιού - / +
- 9 - Κουμπί επανάληψης (επανάληψη ενός κομματιού/επανάληψη όλων/ τυχαία αναπαραγωγή)
- 10 - Ισοσταθμιστής EQ (flat/POP/Rock/Jazz/Classic)
- 11, 12 - Κουμπιά ρύθμισης υψηλών τόνων +/-
- 13 - Κουμπί σίγασης ήχου
- 14 - Κουμπιά για ρύθμιση έντασης μικροφώνου +/-
- 15 - Κουμπί προτεραιότητας μικροφώνου
- 16, 22 - Κουμπιά ρύθμισης χαμηλών τόνων +/-
- 17 - Αναπαραγωγή / παύση
- 19, 21 - Κουμπιά ρύθμισης του επιπέδου έντασης της εισόδου κιθάρας GT +/-
- 23 - Κουμπί +10

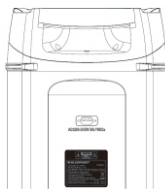
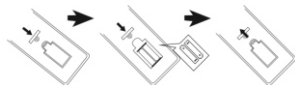
Σύνδεση τροφοδοσίας: Παρακαλούμε ελέγξτε αν η πηγή τροφοδοσίας είναι συμβατή με την προδιαγραφή της ονομαστικής τάσης που βρίσκεται στο οπίσθιο πάνελ της συσκευής. Αν δεν είναι συμβατή, τότε πρέπει να επικοινωνήσετε με τον πωλητή ή με το κέντρο σέρβις. Βάλτε τη θηλυκή άκρη του καλωδίου τροφοδοσίας στην υποδοχή της συσκευής και στη συνέχεια συνδέστε το φως του καλωδίου τροφοδοσίας στην πρίζα τοίχου με σκοπό να αποκτήσετε την πηγή τροφοδοσίας.

Φόρτιση μπαταρίας: η ενσωματωμένη μπαταρία επιτρέπει να παίξετε μουσική χωρίς να είστε συνδεδεμένοι στην παροχή ρεύματος. Όταν η μπαταρία φορτίζεται, η ενδεικτική λυχνία LED φόρτισης στον επάνω πίνακα θα είναι κόκκινη. Όταν η μπαταρία είναι πλήρως φορτισμένη, η ενδεικτική λυχνία θα γίνει πράσινη. Η μπαταρία θα φορτίζεται ακόμα και όταν η συσκευή είναι απενεργοποιημένη, αλλά με διαθέσιμη πηγή τροφοδοσίας εναλλασσόμενου ρεύματος. Ο χρόνος φόρτισης της μπαταρίας είναι 4 ώρες και ο χρόνος αναπαραγωγής είναι 3~5 ώρες, ανάλογα με το επίπεδο της έντασης αναπαραγωγής. Η συσκευή θα απενεργοποιηθεί αυτόματα εάν η μπαταρία αποφορτιστεί, φορτίστε την για περαιτέρω αναπαραγωγή.

Προσοχή: Σε κατάσταση αναμονής (σύντομο πάτημα του κουμπιού λειτουργίας στον επάνω πίνακα ή μέσω του τηλεχειριστηρίου), η συσκευή θα αρχίσει να φορτίζει αυτόματα μετά από 15 λεπτά λόγω απαιτήσεων οικολογικού σχεδιασμού. Για επείγουσα φόρτιση, πατήστε και κρατήστε πατημένο το κουμπί λειτουργίας (απενεργοποιήστε τη συσκευή). Η συσκευή μπορεί να φορτίζεται συνεχώς κατά την αναπαραγωγή μουσικής.

Λειτουργία μπαταρίας:

1. Όταν η μπαταρία δεν είναι φορτισμένη ή είναι κοντά στην εκφόρτιση, θα πρέπει να φορτιστεί το συντομότερο δυνατό. Εάν δεν είναι φορτισμένη για μεγάλο χρονικό διάστημα, η εσωτερική της δυναμικότητα θα μειωθεί, εμποδίζοντας την πλήρη φόρτιση ή μειώνοντας το χρόνο εργασίας.
2. Εάν πρέπει να αντικαταστήσετε την μπαταρία, επικοινωνήστε με την τοπική σας τεχνική υποστήριξη της Blaupunkt.
3. Μη φορτίζετε την μπαταρία για περισσότερο από 24 ώρες. Η υπερβολική εκφόρτιση ή φόρτιση μειώνει τη διάρκεια ζωής της μπαταρίας. Η πολλαπλή φόρτιση και εκφόρτιση επηρεάζει τη διάρκεια ζωής της μπαταρίας και τον χρόνο αναπαραγωγής. Δεν μπορεί να εξασφαλιστεί ο ίδιος χρόνος αναπαραγωγής κατά τη διάρκεια ζωής της μπαταρίας. Η μεταβλητή διάρκεια ζωής της μπαταρίας δεν μπορεί να αποτελέσει τη βάση για τις αξιώσεις εγγύησης.



Εγκατάσταση μπαταρίας του τηλεχειριστηρίου

Ανοίξτε το κάλυμμα της θήκης και βάλτε 2 μπαταρίες τύπου AAA (συμπεριλαμβάνεται στο σετ). Βεβαιωθείτε ότι η διάταξη των μπαταριών είναι συμβατή με τα σύμβολα θετικής και αρνητικής πόλωσης που αναγράφονται μέσα στη θήκη. Στη συνέχεια, κλείστε το κάλυμμα της θήκης για μπαταρίες.

Παρατήρησης:

- a. Η καλύτερη απόσταση εργασίας του τηλεχειριστηρίου είναι τα 5 μέτρα χωρίς κανένα εμπόδιο. Κατά τη χρήση της συσκευής, ο αισθητήρας του τηλεχειριστηρίου πρέπει να κατευθύνεται στο εμπρόσθιο μέρος της συσκευής.
- b. Η ευαισθησία του τηλεχειριστηρίου θα είναι εδώ και πιο χαμηλή μαζί με την εξάντληση των μπαταριών. Αντικαταστήστε τις μεταχειρισμένες μπαταρίες αντί με καινούριες.
- c. Βγάλτε τον συσσωρευτή σε περίπτωση που η συσκευή δεν χρησιμοποιείται για πολλή ώρα.
- d. Πρέπει να διαθέτετε τις μπαταρίες με τρόπο φιλικό για το περιβάλλον. Για αυτόν τον σκοπό, πρέπει να εξοικειωθείτε με τις υποχρεώσεις που θέτουν οι τοπικές αρχές.

Γενικός χειρισμός

- 1. Ενεργοποίηση / απενεργοποίηση:** Πατήστε παρατεταμένα (2 δευτερόλεπτα) το κουμπι λειτουργίας στον επάνω πίνακα για να ενεργοποιήσετε / απενεργοποιήσετε τη συσκευή. Πατώντας για λίγο το κουμπι λειτουργίας στον επάνω πίνακα ή χρησιμοποιώντας το τηλεχειριστήριο, η συσκευή μπορεί να τεθεί σε κατάσταση αναμονής. Προτιμούμε να απενεργοποιήσετε τη συσκευή εντελώς σε περίπτωση που δεν υπάρχει καμία δραστηριότητα για μεγάλο χρονικό διάστημα.
- 2. Επιλογή της πηγής αναπαραγωγής:** Πατήστε το πλήκτρο επιλογής πηγής στο επάνω πάνελ ή πατήστε ή το κουμπι λειτουργίας αναπαραγωγής στο τηλεχειριστήριο για να αλλάξετε την πηγή αναπαραγωγής μεταξύ FM / Bluetooth / Line in / USB / microSD.
- 3. Ρύθμιση έντασης ήχου:** Περιστρέψτε το κουμπι ελέγχου έντασης ήχου στο επάνω πάνελ ή πατήστε το κουμπι VOL +/- στο τηλεχειριστήριο για να αυξήσετε ή να μειώσετε την ένταση ήχου.
- 4. Έλεγχος πρίμων και μπάσων:** πρώτα πατήστε για λίγο το κουμπι μενού στο επάνω πάνελ, περιστρέψτε το κουμπι έντασης ήχου για να ρυθμίσετε το επίπεδο πρίμων και ο αντίστοιχος αριθμός πρίμων θα εμφανιστεί στην οθόνη. Πατήστε ξανά το κουμπι πάνω/κάτω για να μεταβείτε στη ρύθμιση μπάσων. Η ίδια λειτουργία μπορεί να επιτευχθεί πατώντας το κουμπι πρίμων +/- στο τηλεχειριστήριο.
- 5. Σίγαση ήχου:** Το πάτημα του κουμπιού MUTE στο επάνω πάνελ ή ή στο τηλεχειριστήριο προκαλεί σίγαση ήχου. Πατώντας ξανά αυτό το κουμπι, ο ήχος επανέρχεται στο προγενέστερα προγραμματισμένο επίπεδο.
- 6. Ισοσταθμιστής EQ:** Πατήστε επανειλημμένα το κουμπι EQ στο τηλεχειριστήριο ή για να αλλάξετε τη λειτουργία ισοσταθμιστή μεταξύ των ρυθμίσεων: FLAT/POP/ROCK/JAZZ/CLASSIC.
- 7. Αναπαραγωγή / αναστολή:** πατήστε το κουμπι αναπαραγωγής / παύσης για να αναστείλετε ή να ανανεώσετε την αναπαραγωγή της μουσικής στον τρόπο λειτουργίας Bluetooth / USB/microSD.
- 8. Επανάληψη και τυχαία αναπαραγωγή:** Πατήστε το κουμπι επανάληψης για να μεταβείτε στη λειτουργία αναπαραγωγής ενός κομματιού/όλων/τυχαίου κομματιού..
- 9. Φωτισμός:** πατήστε μερικές φορές το κουμπι φωτισμού για να εναλλάξετε τον τρόπο φωτισμού μεταξύ των οχτώ φαινομένων ή να τα απενεργοποιήσετε.
- 10. Αριθμητικά κουμπιά και το κουμπι +10:** πατήστε τα αριθμητικά κουμπιά για να επιλέξετε έναν συγκεκριμένο αριθμό κομματιού σε λειτουργία αναπαραγωγής USB/microSD- ή αλλάξετε τον αριθμό του προγραμματισμένου ραδιοφωνικού σταθμού σε λειτουργία FM. Πατήστε το κουμπι +10 για να επιλέξετε γρήγορα ένα κομμάτι με αριθμό υψηλότερο επί 10.
- 11. Προηγούμενο/επόμενο:** πατήστε σύντομα το επιλεγμένο κουμπι για να αλλάξετε το προηγούμενο ή το επόμενο κομμάτι σε λειτουργία αναπαραγωγής Bluetooth/USB/microSD.
- 12. Χρήση του κουμπιού μενού:** αυτό είναι ένα κουμπι πολλαπλών λειτουργιών, πατήστε το επανειλημμένα για να αλλάξετε τη ρύθμιση οσπράνου/μπάσου/έντασης ήχου μικροφώνου/ηχού/υψηλού τόνου μικροφώνου/χαμηλού τόνου μικροφώνου/έντασης ήχου κιθάρας- στη συνέχεια, περιστρέψτε αμέσως το κουμπι έντασης ήχου για να ρυθμίσετε το κατάλληλο επίπεδο- Περιμένετε λίγο για να βγείτε από τις ρυθμίσεις. (Πληροφορίες στην οθόνη: TE = επίπεδο πρίμων, BS = επίπεδο μπάσου, CU = ένταση ήχου μικροφώνου, EC = ηχώ, T = υψηλοί τόνοι μικροφώνου, B = χαμηλοί τόνοι μικροφώνου, GE = κιθάρα)

Χειρισμός του ραδιοφώνου FM

Πριν να αρχίσετε να ακούτε το ραδιόφωνο FM, πρέπει να μεταφέρετε τη συσκευή δίπλα σε ένα παράθυρο με σκοπό την καλύτερη λήψη σήματος FM. Η συσκευή διαθέτει ενσωματωμένη εσωτερική κεραία για τη λήψη FM.

- 1. Αυτόματη σάρωση και προγραμματισμός ραδιοφωνικών σταθμών (αυτόματη τρόπος λειτουργίας):** Πατήστε σύντομα το κουμπι αναπαραγωγής/παύσης στον επάνω πίνακα ή το τηλεχειριστήριο για να σαρώσετε και να αποθηκεύσετε αυτόματα τους διαθέσιμους ραδιοφωνικούς σταθμούς. Αφού ολοκληρωθεί η σάρωση, η συσκευή αρχίζει την αυτόματη αναπαραγωγή του πρώτου προγραμματισμένου σταθμού. (Μέγιστος αριθμός προγραμματισμένων σταθμών: 40)
- 2. Επιλογή ραδιοφωνικών σταθμών:** στον τρόπο λειτουργίας ραδιοφώνου πατήστε το κουμπι επόμενο / προηγούμενο στο επάνω πάνελ ή στο τηλεχειριστήριο για να επιλέξετε και να αναπαραγάγετε τον προηγούμενο ή τον επόμενο προγραμματισμένο σταθμό. Μπορείτε επίσης να επιλέξετε γρήγορα έναν προγραμματισμένο σταθμό εισάγοντας τον αριθμό του χρησιμοποιώντας τα αριθμητικά κουμπιά στο τηλεχειριστήριο.
- 3. Χειροκίνητος συντονισμός:** πατήστε και κρατήστε το κουμπι προηγούμενο / επόμενο ή για 2 δευτερόλεπτα για να σαρώσετε τον διαθέσιμο σταθμό προς τα πάνω ή προς τα κάτω στο φάσμα και να αναπαραγάγετε αυτόματα τον σταθμό. εισαγάγετε τον αριθμό συχνότητας του ραδιοφωνικού σταθμού χρησιμοποιώντας τα αριθμητικά κουμπιά του τηλεχειριστηρίου και περιμένετε μια στιγμή, η συσκευή θα επιλέξει και θα αναπαραγάγει τον επιθυμητό ραδιοφωνικό σταθμό.

Αναπαραγωγή USB/microSD

Η συσκευή έχει τη λειτουργία αναπαραγωγής USB/microSD η οποία μπορεί να αποκωδικοποιήσει και να αναπαραγάγει μουσική από τις φορητές μνήμες USB/microSD. Πριν να αρχίσετε την αναπαραγωγή, αντιγράψτε τη μουσική MP3/WMA σε μια φορητή μνήμη. Βάλτε τη μνήμη στη συσκευή, διότι ο τρόπος λειτουργίας αναπαραγωγής USB/microSD είναι διαθέσιμος μόνο όταν η μνήμη συνδεθεί κατάλληλα. Στη συνέχεια, η συσκευή αυτόματα ανιχνεύει και αναπαραγάγει τα αρχεία MP3/WMA.

Επιλογή κομματιού: πατήστε σύντομα το κουμπι προηγούμενο/επόμενο για να επιλέξετε το προηγούμενο ή το επόμενο κομμάτι. Πατήστε και κρατήστε το κουμπι που χρησιμοποιείται για την κύλιση, για να κυλίσετε προς τα εμπρός το τρέχον αναπαραγόμενο κομμάτι, απελευθερώστε το κουμπι για να αναπαραγάγετε το επόμενο κομμάτι.

Στον τρόπο λειτουργίας USB/microSD διαθέσιμες είναι οι εξής λειτουργίες: αναπαραγωγή, παύση, σίγαση ήχου, επανάληψη, διορθωτής ήχου, ρύθμιση υψηλών / χαμηλών τόνων / λειτουργία +10 κλπ. Τα λεπτομερή στοιχεία αναφέρονται στην παράγραφο «Γενικός χειρισμός» των παρούσων οδηγιών χρήσης.

Παρατήρησης:

- Δεν προτείνεται να συνδέσετε τη μνήμη USB μέσω προεκτάσεων USB, γιατί αυτό μπορεί να επηρεάσει αρνητικά την ποιότητα αναπαραγωγής και να δημιουργήσει θόρυβο ή διακεκομμένο ήχο λόγω απώλειας δεδομένων ήχου κατά τη μεταφορά των αρχείων.
- Δεν μπορούμε να εγγυηθούμε την αποκωδικοποίηση και την αναπαραγωγή όλων των κομματιών σε μορφή MP3/WMA/WAV/FLAC.
- Η συσκευή εξυπηρετεί μνήμες μέγιστης χωρητικότητας 32GB.
- Η αυτόματη αναπαραγωγή ορισμένων μνημών USB/microSD, λόγω του τύπου και του κατασκευαστή μπορεί να διαρκέσει λίγο περισσότερο καιρό. Πρέπει να θυμηθείτε ότι αυτό δεν αποτελεί δυσλειτουργία.

Λειτουργία Bluetooth

Αυτό το προϊόν έχει τη λειτουργία Bluetooth που επιτρέπει ασύρματη αναπαραγωγή μουσικής από άλλη συσκευή Bluetooth (όπως έξυπνο τηλέφωνο, ταμπλέτα κλπ.).

1. Πατήστε πλήκτρο επιλογής πηγής για να μπειτε στον τρόπο λειτουργίας Bluetooth, και το σύμβολο Bluetooth θα αναβοσβήσει στην οθόνη και αυτό σημαίνει ότι η συσκευή είναι έτοιμη για σύνδεση.
2. Ενεργοποιήστε τη λειτουργία Bluetooth στην εξωτερική συσκευή και αναζητήστε τις διαθέσιμες συσκευές (εξοικειωθείτε με τις οδηγίες χρήσης της εξωτερικής συσκευής) και στη συνέχεια ελέγξτε τις διαθέσιμες συσκευές Bluetooth στον κατάλογο. Σημειώστε "BP PB06" για σύνδεση, και το σύμβολο Bluetooth θα λάμψει συνεχώς στην οθόνη μετά από την επιτυχή σύνδεση.
3. Επιλέξτε και αναπαραγάγετε τη μουσική ξανά από την εξωτερική συσκευή Bluetooth και στη συνέχεια ο ήχος θα αναπαραχθεί με χρήση του ηχείου αυτής της συσκευής.
4. Πατήστε το κουμπί προηγούμενο / επόμενο για να επιλέξετε το τελευταίο και το επόμενο κομμάτι κατά την αναπαραγωγή.
5. Στον τρόπο λειτουργίας Bluetooth, μπορείτε να ανακτήσετε τις λειτουργίες αναπαραγωγής / παύσης, σίγασης ήχου, διόρθωσης ήχου, διόρθωσης υψηλών και χαμηλών τόνων. Λεπτομερείς πληροφορίες αναφέρονται στην παράγραφο «Γενικός χειρισμός» των παρούσων οδηγιών χρήσης.

Παρατηρήσεις:

- a. Δεν είναι δυνατόν να εγγραφούμε την κατάλληλη σύνδεση με όλες τις συσκευές Bluetooth λόγω διαφορετικών σχεδίων και μαρκών.
- b. Η απόσταση εργασίας Bluetooth είναι 10 μέτρα χωρίς κανένα εμπόδιο.
- c. Η συσκευή μπορεί να συνδεθεί και να συνεργαστεί με μια συσκευή Bluetooth ταυτόχρονα.
- d. Σε περίπτωση εισερχόμενης σύνδεσης κατά την αναπαραγωγή Bluetooth, η μουσική θα σταματήσει για λίγο και θα αναεωθεθεί αφού ολοκληρώσετε την τηλεφωνική συνομιλία.
- e. Πατήστε παρατεταμένα το κουμπί αναπαραγωγής/παύσης στην επάνω οθόνη για να κλείσετε την τρέχουσα σύνδεση με τη συσκευή Bluetooth και να αρχίσετε μια σύνδεση με άλλη μια συσκευή.

Ασύρματη στερεοφωνική λειτουργία Bluetooth TWS (True Wireless Stereo): Το ηχείο διαθέτει ασύρματη στερεοφωνική λειτουργία TWS κατά την αναπαραγωγή Bluetooth. Η λειτουργία είναι διαθέσιμη για δύο ηχεία που έχουν μεταβεί στη λειτουργία Bluetooth. Κατά την πρώτη εκκίνηση της ασύρματης στερεοφωνικής λειτουργίας, επιλέξτε ένα από τα δύο ηχεία ως κύρια μονάδα. Στη συνέχεια, πατήστε παρατεταμένα το κουμπί (3 δευτερόλεπτα) «λειτουργία» (mode) στον επάνω πάνελ για να συνδέσετε το κύριο ηχείο με το δεύτερο διαθέσιμο ηχείο. Όταν το TWS συνδεθεί επιτυχώς, θα ακουστεί ένας σύντομος ήχος από το μεγάφωνο. Η οθόνη του υποηχείου θα εμφανίσει συνεχώς την ένδειξη «SLAU» και η οθόνη του κύριου ηχείου θα αναβοσβήνει με την ένδειξη «BLUE». Στη συνέχεια, μπορείτε να ξεκινήσετε τη σύζευξη και τη λειτουργία Bluetooth και ο ήχος θα εκπέμπεται ταυτόχρονα και από τα δύο ηχεία. Εάν η λειτουργία αναπαραγωγής αλλάξει σε FM/microSD/USB ή AUX στο κύριο ηχείο, ο ήχος θα συνεχίσει να εκπέμπεται και από τα δύο συνδεδεμένα ηχεία. Κατά την πρώτη σύζευξη TWS μπορεί να ακουστεί ένας σύντομος ήχος «sa sa sa ...» από το ηχείο - δεν πρόκειται για δυσλειτουργία..

Σε λειτουργία αναπαραγωγής TWS, όλες οι ρυθμίσεις θα είναι διαθέσιμες στο κύριο ηχείο. Ορισμένες λειτουργίες δεν είναι διαθέσιμες στο υποηχείο, παρακαλούμε να σημειώσετε ότι δεν πρόκειται για βλάβη. Αφού απενεργοποιήσετε το κύριο ηχείο, η αναπαραγωγή TWS θα σταματήσει. Εάν η λειτουργία αναμονής είναι ενεργοποιημένη/απενεργοποιημένη, το ηχείο είναι ενεργοποιημένο/απενεργοποιημένο, πείτε παρατεταμένα (3 δευτερόλεπτα) το κουμπί λειτουργίας αναπαραγωγής για να συνδέσετε ξανά τα ηχεία σε λειτουργία TWS. Το παρατεταμένο πάτημα του κουμπιού λειτουργίας αναπαραγωγής θα αποσυνδέσει τα συζευγμένα ηχεία στη λειτουργία TWS.

Λειτουργία στον τρόπο λειτουργίας AUX IN

Για να συνδέσετε και να αναπαραγάγετε μουσική από άλλη συσκευή αναπαραγωγής ή άλλη συσκευή, πρέπει να τηρήσετε τις παρακάτω οδηγίες χρήσης:

Χρησιμοποιώντας το καλώδιο audio (συμπεριλαμβάνεται στο σετ) πρέπει να συνδέσετε την υποδοχή AUX IN του επάνω πάνελ της συσκευής με τη γραμμική έξοδο ή με την υποδοχή ακουστικών της διάταξης αναπαραγωγής, όπως η διάταξη αναπαραγωγής MP3, CD, DVD, μίκτης κλπ. Στη συνέχεια, πρέπει να επιλέξετε και να αναπαραγάγετε μουσική στην εξωτερική διάταξη αναπαραγωγής και ο ήχος θα αναπαραχθεί με χρήση αυτής της συσκευής.

Στον τρόπο λειτουργίας AUX-IN τον κύριο έλεγχο της αναπαραγωγής τον εκτελεί η εξωτερική διάταξη αναπαραγωγής. Σε αυτή τη συσκευή μπορείτε να ελέγχετε την ένταση ήχου, να σιγάσετε τον ήχο και να ρυθμίσετε το επίπεδο μπάσων και σοπράνων.

Karaoke

Ανοίξτε το κάλυμμα της μπαταρίας του ασύρματου μικροφώνου (συμπεριλαμβάνεται στο σετ), βάλτε 2 τεμ., ξηρές μπαταρίες μεγέθους AA (δεν συμπεριλαμβάνονται στο σετ), σύμφωνα με το χαρμαμένο σύμβολο αρνητικής και θετικής πόλωσης μέσα στη θήκη μπαταριών και στη συνέχεια κλείστε το κάλυμμα μπαταριών του μικροφώνου. Θέστε το διακόπτη στη θέση ενεργοποίησης προκειμένου να ενεργοποιηθεί το μικρόφωνο. Μετά από κάποια δευτερόλεπτα, το μεγάφωνο θα συνδεθεί αυτόματα με το ασύρματο μικρόφωνο. Προγραμματίστε το κατάλληλο επίπεδο αρχικής έντασης ήχου στον επάνω πάνελ και στη συνέχεια αρχίστε να τραγουδάτε. Η συσκευή περιέχει ακόμη υποδοχή εισόδου του ασύρματου μικροφώνου με καλώδιο - βάλτε το φως του μικροφώνου με καλώδιο (δεν συμπεριλαμβάνεται στο σετ) στην υποδοχή 6,5 mm και στη συνέχεια ενεργοποιήστε το μικρόφωνο με σκοπό να τραγουδήσετε.

Συμβουλές:

- a. Για να ρυθμίσετε την ένταση ήχου του μικροφώνου/ηχών/υψηλούς τόνους μικροφώνου/χαμηλούς τόνους μικροφώνου: πιέστε επανειλημμένα το κουμπί μενού για να αλλάξετε τη ρύθμιση πρίμωμ/μπάσου/ένταση ήχου μικροφώνου/ηχών/υψηλών τόνους μικροφώνου/χαμηλών τόνους μικροφώνου/ένταση ήχου κιθάρας: στη συνέχεια, περιστρέψτε αμέσως το κουμπί έντασης ήχου για να ρυθμίσετε το κατάλληλο επίπεδο- Περιμένετε λίγο για να βγείτε από τις ρυθμίσεις. (Πληροφορίες στην οθόνη: TE = επίπεδο πρίμωμ, BS = επίπεδο μπάσου, CU = ένταση ήχου μικροφώνου, EC = ηχώ, T = υψηλοί τόνοι μικροφώνου, B = χαμηλοί τόνοι μικροφώνου, GE = κιθάρα)
- b. Το μεγάφωνο μπορεί να εκπέμπει δυνατό θόρυβο ή παραμορφώσεις ήχου όταν το επίπεδο έντασης ήχου, οι ρυθμίσεις μπάσων και σοπράνων ή η ένταση ήχου είναι προγραμματισμένα σε πάρα πολύ υψηλό επίπεδο. Αυτό δεν είναι ελάττωμα. Πρέπει να μειώσετε το επίπεδο των παραπάνω ρυθμίσεων και στη συνέχεια να ενεργοποιήσετε ή να απενεργοποιήσετε το μικρόφωνο.
- c. Μπορείτε να χρησιμοποιήσετε τη λειτουργία karaoke και να ακούσετε μουσική ταυτόχρονα. Σε περίπτωση που χρειαστεί να αυξήσετε την ένταση ήχου karaoke και να μειώσετε το επίπεδο μουσικής στο φόντο, μπορείτε, ξεχωριστά, να ρυθμίσετε την ένταση ήχου του μικροφώνου και το επίπεδο έντασης ήχου του ηχείου με τη χρήση των κατάλληλων κουμπιών.

- d. Πρέπει να απενεργοποιείτε το μικρόφωνο, όταν το τοποθετήσετε δίπλα στο ηχείο, αντίθετα μπορείτε να δημιουργήσετε μεγάλο θόρυβο.
- e. Πάνω στο περιβλήμα του ασύρματου μικροφώνου βρίσκεται ο διακόπτης σίγασης ήχου που μπορεί να σιγήσει τον ήχο του μικροφώνου.
- f. Υπάρχει ένα χαρακτηριστικό προτεραιότητας του μικροφώνου σε αυτό το μοντέλο. Αν ενεργοποιήσετε αυτή τη λειτουργία από το τηλεχειριστήριο, ο ήχος του μικροφώνου θα αναπαράγεται από το ηχείο αρχικά (η μουσική θα είναι σε σίγαση)- η αναπαραγωγή μουσικής στο παρασκήνιο θα συνεχιστεί αυτόματα όταν ολοκληρώσετε τη χρήση του μικροφώνου.
- g. Ασύρματα και ενσύρματα μικρόφωνα μπορούν να χρησιμοποιηθούν ταυτόχρονα.

Είσοδος κιθάρας: Η συσκευή έχει τη δυνατότητα να συνδέσει ένα μουσικό όργανο όπως μια κιθάρα, χρησιμοποιώντας μια υποδοχή κιθάρας 6,3 mm στο πάνω πάνελ. Χρησιμοποιήστε ένα πρόσθετο καλώδιο (δεν περιλαμβάνεται) για το σκοπό αυτό. Πατήστε σύντομα το κουμπί μενού στο πάνω πίνακα αρκετές φορές για να αλλάξετε τη ρύθμιση της έντασης ήχου της κιθάρας (οι πληροφορίες GE που εμφανίζονται ισχύουν για την κιθάρα)- στη συνέχεια, περιστρέψτε αμέσως το κουμπί έντασης ήχου για να ρυθμίσετε το κατάλληλο επίπεδο. Περιμένετε λίγο για να βγείτε από τις ρυθμίσεις. Ο ήχος από την κιθάρα θα αναπαραχθεί με χρήση του ηχείου. Μπορείτε επίσης να ρυθμίσετε την ένταση της κιθάρας πατώντας το κουμπί GT +/GT στο τηλεχειριστήριο.

Επίλυση προβλημάτων

1. Το ηχείο δεν μπορεί να ενεργοποιηθεί.
 - a. Ελέγξτε αν η σύνδεση της τροφοδοσίας είναι κατάλληλη.
2. Δεν υπάρχει ήχος.
 - a. Δοκιμάστε να ρυθμίσετε το κουμπί έντασης ήχου και να ελέγξετε την πηγή αναπαραγωγής.
 - b. Επικοινωνήστε με το κέντρο σέρβις, αν το πρόβλημα παραμένει.
3. Παραμορφώσεις ήχου
 - a. Δοκιμάστε να προσαρμόσετε και να αναπαράγετε μουσική με χαμηλό επίπεδο έντασης ήχου.
 - b. Ελέγξτε την κατάσταση ρύθμισης υψηλών / χαμηλών τόνων.
4. Θόρυβος όταν ακούτε σταθμό FM.
 - a. Μεταφέρετε τη συσκευή σε άλλο σημείο με σκοπό την καλύτερη λήψη σήματος.
 - b. Ενεργοποιήστε ξανά τη σάρωση ή αλλάξτε τον σταθμό για έναν άλλον.

Προδιαγραφές

Πηγή τροφοδοσίας: AC 110-240V, 50/60 Hz.
 Τροφοδοσία από το συσσωρευτή: 7,4/5000mAh
 Συχνότητα FM: 87,5-108,0 MHz.
 Διασύνδεση USB: 5V, 500mA, εκδοχή 2.0, εξυπηρετούμενες μαζικές μνήμες έως 32 GB.
 Κάρτα microSD : εξυπηρετούμενες μνήμες έως 32 GB.
 Το USB / οι κάρτες microSD εξυπηρετούν τη μουσική μορφή: MP3, WMA, WAV, FLAC (δεν εγγυόμαστε την αναπαραγωγή όλων των αρχείων αυτών των τύπων).
 Bluetooth: V5.0, απόσταση εργασίας έως 10m
 Ισχύς εξόδου RMS: 2 x 20W.
 Μικρόφωνο: υποδοχή 1 x 6,5 mm, σύνδεση μικροφώνου με καλώδιο
 2 x ασύρματο μικρόφωνο (συχνότητα: 208,8 MHz, 215MHz, πηγή τροφοδοσίας: 2 x 1,5 V, AA)
 1 x είσοδος κιθάρας.
 Λήψη ισχύος: 40W
 Λήψη ισχύος στον τρόπο λειτουργίας ετοιμότητας: <0.5W.
 (Η παραπάνω προδιαγραφή μπορεί να μεταβληθεί χωρίς προγενέστερη κοινοποίηση.)

HOIATUS



HOIATUS



ELEKTRILÖÖGIOHT
MITTE AVADA

Hoiatus:

Elektrilöögi ohu vähendamiseks ei tohi seadme katet ega tagumist osa lahti monteerida. Seadmes ei ole kasutajapoolseks iseseisvaks parandamiseks ette nähtud elemente. Seadme hoolduse ja parandamisega tegelevad ainult teeninduse kvalifitseeritud töötajad.

Graafiliste sümbolite selgitus:



Välgunoole sümbol võrdkülgses kolmnurgas hoiatab kasutajat seadme sees esinevast isoleerimata „ohtlikust pingest“, mis võib saavutada elektrilöögi ohuga ähvardava tugevuse.



Hüüumärk võrdkülgses kolmnurgas hoiatab kasutajat sellest, et antud hetkel edastatakse seadmega kaasas olevas dokumendis seadme teenindust ja hooldust käsitlevat olulist teavet.

Enne seadme teenindamise alustamist palume käesolev juhend, selle funktsioonidega tutvumiseks ja sihtotstarbeliseks kasutamiseks, läbi lugeda. See tagab seadme kauakestva, riketeta teeninduse ja kasutusrõõmu.

Oluline informatsioon.

- Teenindusjuhend ja ohutust käsitlev teave tuleb edaspidiseks kasutuseks säilitada.
- Ei tohi lasta tekkida olukorral, kui seadmele või selle sisemusse tilgub vesi.
- Samuti ei tohi seadet kasutada niisketes kohtades, nagu nt vannituba.
- Antud seadet ei tohi paigaldada järgnevatesse kohtadesse:
- Mis on avatud päikesekiirguse vahetule toimele või radiaatorite lähedusse.
- Asetada muu, soojust eraldava, stereofoonilise varustuse peale.
- Blokeerides ventilatsiooni või tolmusesse kohta.
- Pidevale vibratsioonile allutatud kohtadesse.
- Kõrge niiskustasemega kohtadesse.
- Seadet ei tohi asetada küünalde või avatud tule lähedusse.
- Seadet võib kasutada ainult käesolevas juhendis kirjeldatud viisil.
- Enne toite esimest sisselülitamist tuleb veenduda, et toide oleks õigesti ühendatud.
- USB mälu ühendatakse vahetult või kuni 25 cm pikku USB pikendusjuhtmega.

Ohutuse seisukohalt ei tohi korpuseid lahti võtta ega üritada seadme sisemuses tungida. Seadet võivad parandada ainult teeninduse kvalifitseeritud töötajad.

Seadet ei tohi lahti keerata ega selle korpust avada, sest selles ei ole kasutaja poolt parandatavaid osi. Seadme hoolduse ja parandamisega tegelevad ainult teeninduse kvalifitseeritud töötajad.

OHUTUST KÄSITLEV OLULINE TEAVE

1. Luge da juhend läbi – enne seadme kasutamist alustamist tuleb kogu teenindusjuhend ja ohutust käsitlev teave läbi lugeda.
2. Säilitada juhend – kasutus- ja teenindusjuhend tuleb edaspidiseks kasutuseks säilitada.
3. Järgida hoiatusi – toimida kooskõlas kõikide seadmel paiknevate hoiatuste ja teenindusjuhendiga.
4. Järgida juhiseid – toimida kooskõlas teenindusjuhendi ja kasutajale mõeldud juhistega.
5. Paigaldus – paigaldada seade kooskõlas tootja juhistega.
6. Toiteallikad – seadme toiteks peab kasutama ainult toitekaabli märgistustel antud parameetritega allikaid. Juhul kui kasutaja ei ole kindel kodus oleva toite liigis, peab ta ühendust võtma seadme müüja või kohaliku elektrienergia tarnijaga.
7. Toite maandus ja polaarsus – seade ei pea olema maandatud. Vältimaks tihvtide või klemmide paljastumist veenduda, et pistik oleks võrgupesusa või pikenduse sisestatud lõpuni. Mõned seadme versioonid võivad olla varustatud vahelduvvoolu polaarsete pistikutega (üks tihvt laiem). Selliseid pistikuid võib sisestada võrgupesusa ainult ühel viisil. See on kaitsefunktsioon. Kui pistikut ei saa pesa sisestada tuleb proovida seda pöörata. Kui pistik ei sobi ka siis pesaga tuleb elektrikut tellida selle väljavahetamine. Polaarset pistikut ei tohi kaitse eemaldada. Kasutades muud pikendusjuhet või toitekaablit, kui seadmega koos tarnitavat, peavad neil olema asjakohased pistikud ja antud riigis nõutav ohutustunnistus.
8. Toitekaabli kaitse – toitekaabel tuleb vedada nii, et selle peal ei oleks võimalik kõndida, seda suruda või asetada esemetega vigastada. Pöörata erilist tähelepanu pistikutele, võrgupesadele ja kohtadele, kus kaabel läbi veetakse.
9. Ülekoormamine – seinakontakte, pikendusjuhtmeid ja vargapesasid ei tohi üle koormata, sest see ohustab tulekahju puhkemise või elektrilöögi.
10. Ventilatsioon – seadet tuleb korralikult ventileerida. Seadet ei tohi asetada voodile, diivanile või muudele sarnastele pindadele. Seadet ei tohi katta laualinade, salvrätikute, ajalehtede jms.
11. Soojus – mitte asetada seadet soojusallikate, nagu radiaatorid, kiirgurid, ahjud või muud soojust eritavad seadmed (ka võimendid), lähedale. Mitte asetada seadmele põlevaid küünlaid ja muid avatud tule allikaid.
12. Vesi ja niiskus – tulekahju või elektrilöögi ohu vähendamiseks ei tohi seadet vihma, vee ja niiskuse vahetule toimele, nagu nt saunas või vannitoas, allutada. Mitte kasutada käesolevat seadet vee, näiteks vanni, kraanikausi, köögivalamu või pesupali, läheduses, niiskes keldris või basseini juures (või sarnastes kohtades).
13. Esemed ja vedelikud seadmes – läbi seadme avade ei tohi sisse suruda mingeid esemeid, sest need võivad kokku puutuda ohtliku pinge punktidega, mis omakorda võib põhjustada tulekahju või elektrilöögi. Mitte mingil juhul ei tohi seadme pindadele mingeid vedelikke kallata. Seadmele ei tohi asetada vedelikke sisaldavaid esemeid.
14. Puhastamine – enne puhastamist tuleb seade alati võrgupesast lahti ühendada. Köleri ümbrusest võib tolmu eemaldada kuiva lapiga. Kasutades puhastamiseks aerosooli ei tohi pritsimisvoogu suunata vahetult seadmele vaid lapile. Tuleb jälgida, et ajamiüksused kahjustusi ei saaks.
15. Täiendav varustus – keelatud on kasutada tarvikuid, mis ei ole tootja poolt lubatud, sest võivad osutada ohuallikateks.

16. Tarvikud – seadet ei tohi asetada ebastabiilsele kärule, alusraamile, statiivile, tugialusele või lauale. Seade võib ümber kukkuda ja saada kahjustusi ning vigastada tõsiselt last või täiskasvanut. Kasutada ainult tootja poolt määratletud või koos seadmega müüdavaid kärusid, alusraame, statiive, tugialuseid või laudu. Seadme paigaldust tuleb teostada kooskõlas tootja juhistega, kasutades tootja poolt soovitatud paigalduskomplekti.
17. Seadme teistsaldamine – kärule paigutatud seadet tuleb sõidutada väga ettevaatlikult. Äkiline pidurdamine, ülemäärane jõud või ebatasane pind võivad põhjustada käruga seadme ümbermineku.
18. Seadme mittekasutamise periood – toitekaabel tuleb äikesetormide ajal või kui seadet pikema aja jooksul ei kasutata võrgupesast lahti ühendada.
19. Teenindus – keelatud on seadme ülevaltast omakäeliselt läbi viia. Avatud katted võivad põhjustada kokkupuudet ohtliku pingega ja osutada ohtlikuks. Seadme hoolduse ja parandamisega tegelevad ainult teeninduse kvalifitseeritud töötajad.
20. Kui seadet ei kasutata, tuleb selle pistik võrgupesast lahti ühendada. Toiteallikaga ühendatuna on seade ooterežiimis ja ei ole täielikult välja lülitatud.
21. Varuosad – osade väljavahetamisel tuleb kontrollida kas teeninduse töötaja on kasutanud tootja poolt soovitatud varuosid või kas osad on originaalosadega identsed. Väljavahetamine kinnitamata osade vastu ohustab tulekahju puhkemise, elektrilöögi ja muude turvariskidega.
22. Peakaitsmed – seadme alalise tulekahjuvastaseks kaitseks tuleb kasutada õiget tüüpi ja asjakohaste parameetritega kaitsmeid. Antud pingela kaitsete parameetrid on märgitud seadmele.
23. Helitugevust ei tohi muusikapala vaikes osa kuulamisel või audio sisendsignaali puudumisel tõsta. Vastasel juhul võib signaali äkiline tugevnemine kõlarit kahjustada.
24. Seadme toiteallikast täieliku lahtiühendamise ainsaks viisiks on toitekaabli toitepesast või seadmest eemaldamine. Võrgupesast või toitekaabli seadme sisend peavõtu toote kasutamise käigus alati juurdepääsetavad olema.
25. Seade tuleb paigutada võrgupesast või pikendusjuhtme lähedusse nii, et need oleks alati juurdepääsetavad.
26. Seadme keskkonna maksimaalne temperatuur võib olla kuni 35°C.
27. Elektrostaatilisest laadusest puudutavad juhised – kui seadme töö on häiritud elektrostaatilisest laadusest tuleb see välja lülitada ja seejärel uuesti sisse lülitada või teise kohta ümber tõsta.
28. Patareid
 - a. Patareid ei tohi allutada ülemäärase soojuse, nagu nt päikesekiired, tuli jms, toimele.
 - b. Patareide utiliseerimisel tuleb pöörata tähelepanu keskkonnakaitse aspektidele.
- c. Patareide kasutamist puudutav hoiatus: patareid ei tohi lasta kuluda kuni lekkimiseni, mis võib põhjustada kehavigastusi ja seadme kahjustusi:
 - Patareide sisestamisel pöörata tähelepanu nende polaarsusele (+ ja -).
 - Ei tohi kasutada samaaegselt erinevaid patareid — vanu ja uusi, standardseid ja alkaalpatareid, jne.
 - Kui seadet pikema aja jooksul ei kasutata, tuleb patareid välja võtta.

HOIATUS

- Seadet ei tohi kasutada piiratud füüsiliste, sensoorsete ja psüühiliste võimete või seadmega töötamise kogemusi või teadmisi mitte omavald inimesed (sealhulgas lapsed), kui nad ei viibi nende ohtuse eest vastutavate isikute järelevalve all või kui neid ei ole seadme ohutu kasutamise teemal instrueeritud. Kui seadet teenindavad lapsed, on nõutav täiskasvanute kohaolek; see võimaldab tagada seadme ohutu kasutuse.
1. Keelatud on töötavat seadet järelevalveta jätta! Kui seadet isegi lühikesel ajajooksul ei kasutata, tuleb see välja lülitada.
 2. Seadet ei tohi teenindada taimeriga välise kella vahendusel ega eraldisettevase kaugjuhtimisega süsteemi abil.
 3. Toitejuhtme kahjustuste korral ohtude vältimiseks peab väljavahetamist teostama tootja, autoriseeritud teeninduspunkt või muu, asjakohast kvalifikatsiooni omav isik.
 4. Enne seadme teenindamise juurde asumist tuleb veenduda, et selle pinge vastab kohalikus toitevõrgus esinevale pingele.
 5. Seadme ventilatsiooniasvid ei tohi kinni katta, nt ajalehtede, laualina, kardinatega, jms. Tuleb veenduda, et seadme kohal on vähemalt 20 cm vaba ruumi ja selle igal küljel — vähemalt 5 cm.
 6. Ei tohi lasta tekkida olukorral kui seadmele või selle sisemusse tilgub või voolab vedelik ega tohi sellele asetada vedelikega täidetud esemeid, selliseid nagu vaasid.
 7. Tulekahju või elektrilöögi vältimiseks tuleb seadet kaitsta kuumade kohtade, vihma, niiskuse ja tolmu toime eest.
 8. Seadet ei tohi paigutada mingite veeallikate, nt kraanide, vannide, pesumasinate või ujumisbasseinide lähedusse. Seade tuleb asetada tasasele ja stabiilsele aluspinnale.
 9. Seadet ei tohi allutada tugevate magnetväljade toimele.
 10. Vahetult võimendile või vastuvõtjale seadet asetada ei tohi.
 11. Seadet ei tohi viia niiskesse kohta, sest niiskusel on elektrilistele allüksustele kahjulik mõju.
 12. Peale seadme külmasooja või niiskesse kohta toomist võib mängija sees olevale laätele tekkida niiskuse kondensatsioon. Sellises olukorras seade korralikult tööle ei hakka. Niiskuse aurumise võimaldamiseks tuleb sisselülitatud seade jätta umbes tunniks ajaks seisma.
 13. Seadet ei tohi puhastada keemiliste lahustitega, sest need võivad kahjustada korpuse lakikihti. Seadet pühitakse puhta, kuiva või vähesel määral niisutatud lapiga.
 14. Pistiku seinakontaktist eemaldamisel tuleb alati tõmmata pistikut, mitte aga toitekaablit.
 15. Kui sisselülitatud seadet kasutatakse sisselülitatud teleri läheduses võib see osutada ekraanil joontena nähtavate häirete allikaks. Sõltub TV ülekande laineribast. See ei tähenda aga ei seadme ega teleri väärt töötamist. Selliste joonte ilmlemisel tuleb seade telerist eemale nihutada.
 16. Võrgupistikut kasutatakse toitepinge lahti ühendamiseks ja see peab alati juurdepääsetav olema.
 17. Võimalike kuulmiskahjustuste vältimiseks ei tohi muusikat pikemat aega valjult kuulata.



TÄHELEPANU



Deklaratsioon

Blaupunkt Competence Center 2N-Everpol Sp. z o.o. teavitab käesolevaga, et seade vastab direktiivi 2014/53 / EL nõuetele ja selle muudele asjakohastele sätetele. Täielik vastavusdeklaratsioon asub leheküljel www.blaupunkt.com toote järjehoidjas.

Vastutav ettevõtte: 2N-Everpol Sp. z o.o.

Puławska 403A, 02-801 Varssavi, Poola

Telefon: +48 22 688 08 00, e-mail: info@everpol.pl



Toode on toodetud kõrgkvaliteetsetest taastootmisesse suunatavatest ja taaskasutatavatest materjalidest ning allüksustest.



Kui teie seadmel on läbikriipsutatud prügikasti silt, tähendab see, et toode on hõlmatud Euroopa direktiivi 2012/19/EL sätetega. Sellest lähtuvalt järgige kohalikke eeskirju ja tutvuge kohaliku elektri- ja elektroonikajäätmete kogumissüsteemi nõuetega ning järgige neid selle toote puhul.

ÄRGE KASUTAGE SEDA TOODET KOOS OLMEJÄÄTMETEGA!

SEE TOODE SISALDAB OHTLIKKE AINEID, SEGUSID JA KOOSTISAINEID, MIS VÕIB LOATAMATA OLLA VÕIMALIKUTE MÕJUTE ALLIKAKS LOODUSKESKKONNALE JA INIMESE TERVISELE!

Kasutatud toote õige utiliseerimine hoiab ära negatiivsed mõjud keskkonnale ja inimeste tervisele.



Seade on varustatud Euroopa direktiiviga 2006/66/EC hõlmatud patareidega. Patareide äraviskamine koos kodumajapidamisjäätmetega on keelatud. Tutvuda patareide eraldiasetsevalt kogumist käsitlevate kohalike eeskirjadega, sest õige utiliseerimine väldib potentsiaalseid looduskeskkonnale ja inimtervisele kahju tekitavaid tagajärgi.

Looduskeskkonna kaitset käsitlev teave

Pakend sisaldab ainult vajalikke elemente. Tehtud on kõik endast olenev, et kolm koostismaterjali oleks hõlpsasti eraldatavad: papp (kast), polüütreenvaht (seesmine kaitse) ja polüetüleen (kotid, kaitsepoogen). Toode on toodetud materjalidest, mida saab suunata taastootmisesse ja peale nende eriotstarbelise ettevõtte poolt demonteerimist, uuesti kasutada. Järgida pakendmaterjalide, patareide ja kasutatud seadmete utiliseerimist käsitlevaid kohalikke ettekirjutusi.

Materjalide salvestamiseks ja esitamiseks võib vaja minna nõusolekut. Tutvuge autoriõiguse ja esinejate/kunstnike õiguste seadusega.

ERP2 (elektrienergiaga seotud seadmed) puudutav märkus

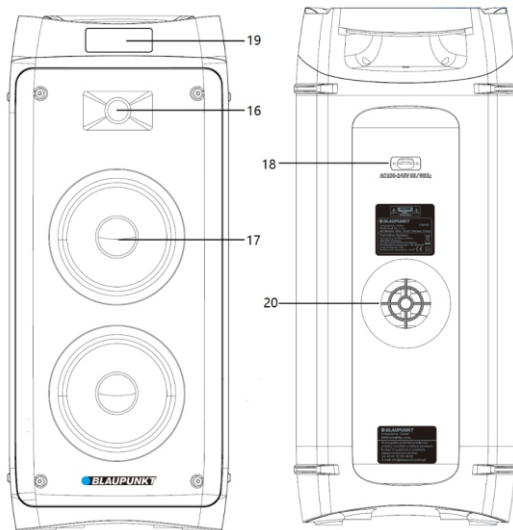
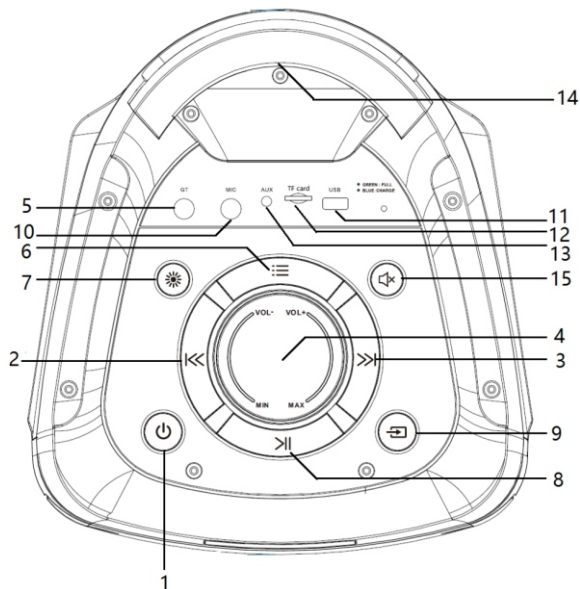
Käeolev ökoprojektiga seade vastab vastab ökoprojektide nõudeid käsitleva KOMISJONI (EÜ) MÄÄRUSE nr 1275/2008 kontori- ja kodukasutuseks mõeldud seadmete väljalülitatuna ja ooterežiimis energiatarbimist puudutava direktiivi 2009/125/WE jõustava 2. etapi nõuetele.



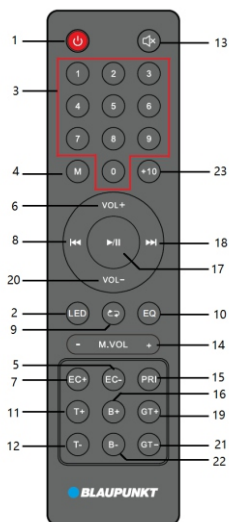
Kaubamärgi ja logo Bluetooth® omanik on ettevõtte Bluetooth SIG, Inc. USA. Asjaomaste kaubamärkide ja logo kasutamine on litsentseeritud. Muud märgid ja kaubanimed kuuluvad asjakohastele omanikele.

Täname meie seadme ostmise eest. Enne kasutamist tuleb käesoleva juhendiga tutvumiseks see hoolikalt läbi lugeda. Palume säilitada juhend edaspidiseks kasutamiseks.

Juhtpaneel



- | | | | |
|--|-------------------------------------|----------------------------|----------------------------|
| 1-Sisse/väljalülitamise lüliti; | 2,3- Eelmine / järgmine; | 4- Helitugevuse juhtimine; | 5- Kitarris sisend; |
| 6- Menüü nupp, vajuta seda korduvalt soprani/bassi/mikrofoni valjuse/mikrofoni kaja/mikrofoni soprani/ mikrofoni bassi/kitarris valjuse seadetele ümberlülitamiseks; | 7- Diskovalgustus; | 8- Esitus/ paus; | |
| 9-Allika valiku nupp; | 10- Juhtmega mikrofoni sisendpesa; | 11- USB port; | 12- MicroSD pesa; |
| 13- AUX IN sisend; | 14- Käepide; | 15- Vaigistamine; | 16- Kõrgete toonide kõlar; |
| 17- Keskmiste-madalate toonide kõlar; | 18- Vahelduvvoolu toitejuhtme pesa; | 19- Kuvar; | |
| 20- Port Bass-Reflex; | | | |



Kaugjuhtimispuul

- 1 - Toitenupp;
- 2- Diskovalgustuse sisse/välja lülitamise nupp;
- 3- Numbrilised nupud;
- 4-Juhuvaimise funktsiooni sisse / väljalülitamise nupp
- 5,7 – Kaja +/- reguleerimise nupud;
- 6,20- Helitugevuse +/- reguleerimise nupud;
- 8,18-Eelmine ja järgmine, kanalite nupp - / +;
- 9-Korduse funktsiooni nupp (ühe muusikapala kordamine /kõikide muusikapalade kordamine/ juhuesitus);
- 10 -Ekvalaiser EQ (flat/POP/Rock/Jazz/Classic)
- 11, 12- Kõrgete toonide +/- reguleerimise nupud;
- 13- Helisummutuse nupp;
- 14- Mikrofoni helitugevuse +/- reguleerimise nupud;
- 15- Mikrofoni prioriteedi nupp;
- 16,22- Madalate toonide +/- reguleerimise nupud;
- 17- Esitus / paus;
- 19, 21- Kitarri sisendi helitugevuse GT +/- reguleerimise nupud;
- 23 – Nupp +10;

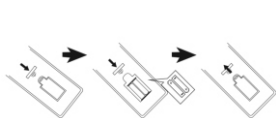
Toite ühendamine: Palun kontrollida, kas toiteallikas vastab seadme tagapaneelil paiknevale nimipingele spetsifikatsioonile. Kui ei vasta, tuleb müüja või teeninduskeskusega ühendust võtta. Toiteallika ühendamiseks sisestage emane kaablipistik seadmele paiknevasse pesa ja seejärel toitekaabli pistik seinakontakti.

Aku laadimine: sisseehitatud aku võimaldab ilma vooluallikaga ühendamiseta muusikat esitada. Aku laadimise ajal Aku laadimise ajal põleb tagapaneelil paiknev laadimise led näidik siniselt. Pärast täislaadimist muutub näidiku värv rohelisteks. Akut laetakse isegi pärast seadme väljalülitamist, aga vaid saadaoleva vahelduvvoolu toiteallikaga ühendatuna. Aku laadimise aeg on 4 tundi ja muusika esitamise aeg on esituse helitugevuse tasemest sõltuvalt 3~5 tundi. Aku tühjakslaadimise korral lülitub seade automaatselt välja, edasiseks mängimiseks tuleb see laadida.

Tähelepanu: Valmisoleku režiimis (ülapaneelil paikneva toitenupu lühikest vajutuse või puldi abil) algab seadme laadimine, seoses ökoprojekti nõuetega, 15 minuti pärast. Kiirllaadimiseks vajuta ja hoida toitenuppu (lülitu seade välja). Seadet võib muusika esitamise käigus pidevalt laadida.

Aku kasutamine:

1. Kui aku on tühjaks laadinud või läheneb tühjenemisele, tuleb see võimalikult kiiresti täis laadida. Kui seda pole pikemat aega laetud väheneb selle sisemahtuvus, mis takistab täielikku täislaadimist või lühendab tööaega.
2. Aku väljavahetamise vajaduse tekkimisel palume ühendust võtta Blaupunkti kohaliku teenindusega.
3. Ära lae akut kauem kui 24 tundi. Ülemäärane tühjaks- või täislaadimine võib lühendada aku eluiga. Aku paljukordne laadimine ja tühjakslaadimine mõjutavad selle eluiga ning muusika mängimise aega. Aku kasutamise ajal ei ole võimalik garanteerida sama pikka muusika mängimise aega. Aku eluea muutlikkus ei saa olla garantiiühvitiste teadluste aluseks.



Kaugjuhtimispuldi patarei paigaldamine

Avage patareikambri kate ja sisestage 2 AAA tüüpi patareid (komplektis); Veenduge, et patareide asetuse oleks kambrile trükitud positiivse ja negatiivse polaarusega kooskõlas. Seejärel sulgege patareikate.

Märkused:

- a. Kaugjuhtimispuldi parim töökaugus on ilma mingite takistusteta 5 meetrit. Kasutamise ajal tuleb puldi andur suunata seadme esikülje poole.
- b. Puldi tundlikkus muutub patarei tühjakslaadimise käigus madalamaks. Tühjaks laadinud patareid tuleb uute vastu välja vahetada.
- c. Seadme pikema mittekasutamise korral võtke aku välja.
- d. Patareid tuleb ära visata keskkonناسöbralikul viisi. Selleks tuleb tutvuda kohalike nõuetega.

Üldine teenindamine

- 1. Sisse / välja lülitamine:** Ülapaneelil paikneva toitenupu pikk vajutamine (2 sekundit) võimaldab seadme sisse/välja lülitada. Ülapaneelil paikneva toitenupu lühikese vajutamise või puldiga saab seadme ümber lülitada valmisoleku režiimi; Pikemaks mittetoitamise ajaks soovitate seadme täielikult välja lülitada.
- 2. Esitamise allika valik:** vahel valimiseks vajutage ülapaneelil allika valiku nuppu või lülita, muusika esitamise allika FM / Bluetooth / Line in / USB / microSD vahel valimiseks, kaugjuhtimispuldil paiknevat muusika esitamise režiimi nuppu.
- 3. Helitugevuse reguleerimine:** Helitugevuse tõstmiseks või muutmiseks pöörake ülapaneelil paiknevat helitugevuse juhtimise pöördnuppu või vajutage puldil nuppu VOL +/-.
- 4. Madalate ja kõrgete toonide reguleerimine:** kõrgepealt vajuta lühidalt ülapaneelil paiknevat menüü nuppu, kõrgete toonide taseme reguleerimiseks keera helitugevuse pöördnuppu, kuvarile ilmub kõrgete toonide tasemest teavitav asjakohane number. Üleminekuks basside reguleerimisele vajuta uuesti kõrgete/madalate toonide nuppu. Samad funktsioonid on saavutatavad kõrgete toonide +/- nupu vajutamise läbi kaugjuhtimispuldil.
- 5. Heli summutamine:** Nupu MUTE ülapaneelil või kaugjuhtimispuldil vajutamine summutab heli; Selle nupu uuesti vajutamine taastab heli varem seadistatud tasandil.
- 6. EQ korrektor:** vajuta korduvalt EQ nuppu puldil, et lülitada korrektori režiimi ümber järgnevate seadete vahel: FLAT/POP/ROCK/JAZZ/CLASSIC.
- 7. Esitamine / peatamine:** Bluetooth / USB / microSD režiimis muusika esitamise peatamiseks või taastamiseks vajutage nuppu esitus /paus.
- 8. Kordamine ja juhuetus:** Ühe muusikapala / kõikide muusikapalade kordamise / või juhuvaliku režiimi vahel ümberlülitamiseks vajuta korduse nuppu;
- 9. Valgustus:** kaheksa efekti vahel valgustuse režiimi ümberlülitamiseks või selle väljalülitamiseks vajutage korduvalt valgustuse nuppu.
- 10. umbrilised nupud ja nupp +10:** USB/microSD režiimis muusika esitamisel muusikapala konkreetse numbrilise valimiseks vajuta numbrilisi nuppe; või lülita nendega ümber FM režiimis programmeeritud raadiojaama number. 10 numbril võrra kõrgema muusikapala kiireks valimiseks vajuta nuppu +10.
- 11. Eelmine/järgmine:** Bluetooth/USB/microSD režiimis muusika esitamisel vajuta eelmise või järgmise muusikapala valimiseks lühidalt valitud nuppu.
- 12. Menüü nupu kasutamine:** see on mitmfunktsiooniline nupp, vajuta seda korduvalt soprani/bassi/mikrofoni valjuse/kaja/mikrofoni kõrgete toonide/ mikrofoni madalate toonide/kitarri valjuse seadete ümberlülitamiseks; seejärel keera sobiva taseme reguleerimiseks koheselt helitugevuse pöördnuppu; Seadetest väljumiseks oota hetke. (Informatsioon kuvaril: TE= soprani tase, BS= bassi tase, CU= mikrofoni valjus, EC= kaja, T= mikrofoni kõrget toonid, B= mikrofoni madalad toonid, GE= kitarr)

FM raadio teenindamine

Enne FM raadio kuulamist tuleb sead, FM signaali parema vastuvõtu saavutamiseks, aknale lähemale asetada. Seadmel on sisseehitatud antenn FM signaalide vastuvõtmiseks.

- 1. Raadiojaamade automaatne skaneerimine ja programmeerimine (automaatrežiim):** Saadaolevate jaamade automaatseks skaneerimiseks ja salvestamiseks vajuta ülapaneelil või puldil lühidalt esitamise / pausi nuppu. Peale skaneerimise lõpetamist hakkab seade automaatselt mängima esimest programmeeritud jaama. (Programmeeritud jaamade maksimaalne teenindatav arv: 40)
- 2. Raadiojaamade valimine:** eelmise või järgneva programmeeritud jaama mängimiseks vajutage raadio režiimis ülapaneelil või kaugjuhtimispuldil nuppu järgmine / eelmine. Samuti võid programmeeritud jaama kiireks valimiseks kaugjuhtimispuldil numbriliste nuppude abil selle jaama numbril sisestada.
- 3. Käitsi seadistamine:** sagedusribal saadaolevate jaamade üles või allapoole skännimiseks ja automaatseks mängimiseks vajutage ning hoidke 2 sekundit nuppu eelmine / järgmine, sisesta puldil numbriliste nuppude abil raadiojaama sagedus ja oota veidi, seade valib ning mängib soovitud raadiojaama.

USB/microSD esitamine

Seadmel on kaasaskantavatel USB/microSD mäluudel USB/microSD esitamise funktsioon. Enne esitamist kopeerige muusika MP3/WMA muusika kaasaskantavale mälu; Sisestage mälu seadmesse, sest USB/microSD esitamise režiim on saadaval ainult mälu õigesti ühendamise korral. Seejärel avab ja esitab seade MP3/WMA failid automaatselt.

Muusikapala valimine: eelmise või järgmise muusikapala valimiseks vajutage lühidalt nuppu eelmine/järgmine; Hetkel esitatava muusikapala edasi kerimiseks vajutage ja hoidke kerimise nuppu, muusika esitamise jätkamiseks vabastage nupp. USB/microSD režiimis on saadaval järgnevad funktsioonid: esitus / paus, summutamine, kordus, heli korrektor, kõrgete / madalate toonide reguleerimine/funktsioon +10 jne. Üksikasjad võib leida käesoleva juhendi punktis, "Üldine teenindamine".

Märkused:

- a) USB pikendusjuhtme abil USB mälu ühendamine ei ole soovitatav, sest see võib mõjutada negatiivselt esituse kvaliteeti ja põhjustada failide kuulamisel, audioandmete kaost tingitud, müra või katkendlikku heli.
- b) Kõikide MP3/WMA/WAV/FLAC formaadis muusikapalade dekodeerimist ja esitamist ei ole võimalik tagada.
- c) Seade teenindab mälusid maksimaalse mahuga 32GB
- d) Tüübi ja tootjaga seoses võib mõnede USB/microSD mälude automaatne avamine rohkem aega võtta; Tuleb meele pidades, et see ei ole viga.

Bluetooth toimimine

Asjaomasel tootel on funktsioon Bluetooth, mis võimaldab teiselt Bluetooth seadmelt (nagu nutitelefoni, tahvelarvuti, jne) muusika juhtmevaba esitust.

1. Vajutage Bluetooth režiimi sisenemiseks korduvalt allika valiku nupule, kuvaril hakkab vilkuma Bluetoothi sümbol, mis tähendab, et seade on paarimiseks valmis.
2. Lülitage välisel seadmelt sisse Bluetoothi funktsioon ja otsige saadaolevaid seadmeid (tutvuge välise seadme teenindusjuhendiga) ning leidke seejärel saadaolev Bluetooth seade loendist. Märgistage paarimiseks "BP PB06", peale vaikimisi paarimist hakkab Bluetoothi sümbol kuvaril põlema pideva tulega..
3. Valige ja mängige välisel Bluetooth seadmelt muusika ja seejärel esitatakse heli käesoleva seadme kõlari abil.

4. Esitamise ajal eelneva ja järgneva muusikapala valimiseks vajutage nuppu eelmine / järgmine.
5. Bluetooth režiimis võib saavutada esituse / pausi, summutamise, heli korrektori, kõrgete ja madalate toonide korrektori funktsioonid. Üksikasjad võib leida käesoleva juhendi punktis „Üldine teenindamine“.

Märksused:

- a. Seoses erinevate konstruktsioonide ja kaubamärkidega ei ole kõikide Bluetooth seadmetega korralikku ühendamist võimalik tagada.
- b. Bluetooth töökaugus on ilma mingite takistusteta 10 meetrit.
- c. Seade võib paarida ühe Bluetooth seadmega üheaegselt.
- d. Bluetooth esituse ajal sisetuleva ühenduse korral; Muusika peatub hetkeks ja taastab esitamise peale telefonikõne lõppemist.
- e. Bluetooth seadme jaoksva ühenduse peatamiseks ja muu seadmega paarimise alustamiseks vajuta ülapaneeil esitamise / pausi nuppu pikalt.

Bluetooth juhtmevaba stereo TWS (True Wireless Stereo) funktsioon: Kõlaril on Bluetooth esituse ajal juhtmevaba stereo TWS funktsioon. Funktsioon on saadaval Bluetooth režiimi lülitatud kahele kõlarile. Juhtmevaba stereo funktsiooni esimesel käivitamisel tuleb üks kõlaritest peaaüksuseks valida. Vajutada seejärel, teise saadaoleva kõlariga paarimiseks, selle ülapaneeil asuvat nuppu (3 sekundit), mode“. Pärast TWS vaikimisi paarimist esitatakse kõlarist lühike heli. Alamkõlaril kuvab püsitateet, „SLAU“ ja peakõlaril kuvari hakkab vilkuma teade “BLUE“. Seejärel võib alustada Bluetoothiga paarimist ja selle kasutamist, heli esitatakse üheaegselt mõlemast kõlarist. Peakõlaris FM/microSD/USB või AUX esitamise režiimi muutmisel esitatakse heli endiselt mõlema paartud kõlariga. Esimesel TWS paarimisel võivad kõlarist kõlada lühikesed helid, „sa sa sa ...“, mis ei ole viga.

TWS esitamise režiimis on kogu reguleerimine saadaval peakõlaril. Mõned funktsioonid ei ole alakõlaril saadavad, palume tähele panna, et see ei ole viga. Peakõlaril väljalülitamise korral TWS esitus peatatakse. Ooterežiimi välja/sisselülitamise, kõlari välja/sisselülitamise korral tuleb kõlarite TWS režiimis uuesti paarimiseks pikalt vajutada (3 sekundit) esitamise režiimi nuppu. Esitamise režiimi nupu uuesti pikalt vajutamine ühendab TWS režiimis paartud kõlarid lahti.

Töötamine AUX IN režiimis

Muult mängijalt või seadmelt muusika ühendamiseks ja esitamiseks tuleb toimida vastavalt alljärgnevale juhendile: Kasutades audiokaablit (komplektis) tuleb ülapaneeil paiknev AUX IN pesa ühendada mängija, nagu nt MP3, CD, DVD mängija, mikserpuldil, jne, liiniväljundi või kuulari pesaga. Seejärel tuleb välisel mängijal valida ja esitada muusika ning heli esitatakse käesoleva seadme abil. AUX-IN režiimis toimub esituse peajuhtimine välise seadme abil. Käesolevas seadmes võite kontrollida helitugevust, summutada heli ja reguleerida basside ning sopranite taset.

Karaoke

Avage juhtmevaba mikrofoni (komplektis) patareikate, sisestage positiivse ja negatiivse polaaruse graveeritud sümbolitega kookeõlas 2 tk AA suuruses kuiva patareid (ei ole komplektis) patareikambriisse ja sulgege seejärel mikrofoni patareikate. Mikrofoni sisselülitamiseks seadke lüliti sisselülitatud asendisse. Mõne sekundi möödudes paarib kõlar end juhtmevaba mikrofoniga automaatselt. Seadistage ülapaneeil mikrofoni sobiv väljundvaljus ja võite seejärel laulma hakata. Seadmel on ka juhtmega mikrofonile topeltpesa, sisestage juhtmega mikrofoni (ei ole komplektis) 6,5 mm pesa ja lülitage mikrofoni laulmiseks sisse.

Parady:

- a. Mikrofoni valjuse/kaja/mikrofoni kõrgete toonide/ mikrofoni madalate toonide seadistamine: vajuta menüü nuppu korduvalt soprani/bassi/mikrofoni valjuse/kaja/mikrofoni kõrgete toonide/ mikrofoni madalate toonide/kitarri valjuse seadete ümberlülitamiseks; seejärel keera sobiva taseme reguleerimiseks koheselt helitugevuse pöörnuppu; Seadetest väljumiseks oota hetke. (Informatsioonikvuaril: TE= soprani tase, BS= bassi tase, CU= mikrofoni valjus, EC= kaja, T= mikrofoni kõrge toonid, B= mikrofoni madalad toonid, GE= kitarr)
- b. Hetkel kui helitugevuse tase, basside ja sopranite seaded või kaja funktsioon on seatud liiga kõrgele tasemele võib seade väljastada valju müra või helimoonutusi. See ei ole viga. Ülaltoodud seadete tase tuleb alandada ja seejärel mikrofoni sisse või välja lülitada.
- c. Karaoke funktsiooni kasutada ja muusikat kuulata võite üheaegselt; Juhul, kui tekib vajadus tõsta karaoke helitugevust ja vähendada taustmuusika taset, võite mikrofoni valjuse ja kõlari taseme asjakohaste pöörnuppudega eraldi reguleerida.
- d. Kui mikrofoni on asetatud kõlari kõrvale, tuleb see välja lülitada, vastasel korral tekitab see suurt müra.
- e. Juhtmevaba mikrofoni korpusel on mikrofoni heli summutada võimaldav helisummutuse lüliti.
- f. Käesoleval mudelil on mikrofoni prioriteedi funktsioon. Selle funktsiooni puldist aktiveerimise korral esitatakse mikrofoni heli esmasena (muusikaline taust vaigistatakse); taustmuusika esitus taastatakse pärast mikrofoni kasutamise lõpetamist automaatselt.
- g. Võimalik on juhtmevaba ja juhtmega mikrofoni samaaegne kasutamine.

Kitarri sisend: Seadmel on ülapaneeil paikneva kitarri pesa 6,3 mm abil muusikainstrumenti, nagu kitarr, ühendamine võimalus. Selleks tuleb kasutada täiendavat juhet (ei kuulu komplekti). Kitarri valjuse seadete ümberlülitamiseks vajuta mitu korda lühidalt ülapaneeil paiknevat menüü nuppu (kuvatav teave GE puudutab kitarril); seejärel keera sobiva taseme reguleerimiseks koheselt helitugevuse pöörnuppu; Seadetest väljumiseks oota hetke. Kitarri heli hakatakse esitatama kõlari abil. Kitarri valjuse taset võid kohandada ka puldil paiknevat nuppu GT +/GT vajutades.

Probleemide lahendamine

1. Kõlarit ei saa sisse lülitada.
 - a. Kontrollige kas toide on õigesti ühendatud.

2. Puudub heli.

- a. Proovige reguleerida helitugevuse pöördnuppu ja kontrollida esituse allikat.
- b. Probleemi säilimise korral võtke ühendust teeninduskeskusega.

3. Heli on moonutatud.

- a. Proovige muusikat kohandada ja esitada madalamal helitugevuse tasemel.
- b. Kontrollige kõrgete / madalate toonide seadete seisundit.

4. Müra FM jaamade kuulamisel.

- a. Viide seade paremaks vastuvõtuks teise kohta.
- b. Lülitage skaneerimine uuesti sisse või vahetage jaama.

Spetsifikatsioon

Toiteallikas: AC 110-240V, 50/60 Hz.

Akutoide: 7.4V/5000mAh

FM sagedus: 87,5-108,0 MHz.

USB liides: 5V, 500mA, versioon 2.0, kuni 32 GB massimälu teenindamine.

MicroSD kaart/USB: teenindatavad andmekandjad kuni 32 GB.

USB / microSD kaardid teenindavad muusikavorminguid: MP3, WMA, WAV, FLAC (kõikide sellist tüüpi failide esitamine ei ole tagatud)

Bluetooth: V5,0, töökaugus kuni 10m

RMS väljundvõimsus: 2 x 20W.

Mikrofon: sisend 1 x 6,5 mm, juhtmega mikrofoni ühendus.

2 x juhtmevaba mikrofon (sagedus: 208,8 MHz, 215MHz, toiteallikas: 2 x 1,5 V, AA)

1 x kitarrisiend

Võimsustarbimine: 40W

Võimsustarbimine valmisoleku režiimis: <0.5W.

(Ülaltoodud spetsifikatsioon võib ilma hoiatamiseta alluda muudatustele)

SVARBIOS SAUGOS INSTRUKCIJOS

ELEKTROS SMŪGIO GRĖSMĖ
DRAUDŽIAMA ATIDARYTI**Įspėjimas:**

Kad sumažintumėte elektros smūgio riziką, draudžiama išmontuoti įrenginio dangtelį ar galinę dalį. Įrenginyje nėra komponentų skirtų vartotojui savarankiškai taisyti. Techninė priežiūra ir remontas aptarnaujami tik kvalifikuoto techninio personalo.

Grafinių simbolių paaiškinimas:

Zaibo simbolis užbaigtas rodykle lygiakraščiame trikampyje įspėja vartotoją apie neizoliuotą "pavojingą įtampą" esančią įrenginio korpusu, kuri gali pasiekti dydį sukkeliantį elektros smūgio pavojų.



Šauktuko ženklas lygiakraščiame trikampyje įspėja vartotoją, kad šiame punkte pateikiama svarbi informacija apie įrangos veikimą ir techninę priežiūrą dokumentuose pateikiamuose su įrenginiu.

Prasome perskaityti šias instrukcijas prieš pradėdant įrenginio naudojimą, kad susipažinti su jo funkcijomis ir naudoti jį taip, kaip numatyta. Tai užtikrins ilgalaikį įrenginio veikimą be gedimų ir jo naudojimo malonumą.

Svarbi informacija

- Privaloma išsaugoti šias naudojimo instrukcijas ir saugos informaciją būsimam naudojimui.
- Neleiskite skysčiams lašėti ar išsilieti ant įrenginio.
- Draudžiama taip pat naudoti jį drėgnose vietose, pvz. vonios kambaryje.
- Draudžiama įrengti šį įrenginį tokiose vietose:
- Vietos neapsaugotos nuo tiesioginių saulės spindulių ar šalia radiatorių.
- Dėti jį ant viršaus kitos stereofoninės įrangos, kuri išleidžia šilumą.
- Blokuojant ventiliaciją arba dulkelioje vietoje.
- Vietose, kuriose vyksta nuolatinė vibracija.
- Vietose, kur yra didelė drėgmė.
- Draudžiama dėti įrenginį arti žvakių ar atviros liepsnos.
- Įrenginys gali būti naudojamas tik šiame vadove aprašytu būdu.
- Prieš jungdami maitinimą pirmą kartą, įsitikinkite, kad srovės adapteris yra tinkamai prijungtas.
- USB atmintinė jungtama tiesiogiai arba su USB pratęsimo laidu iki 25 cm ilgio.

Dėl saugumo priežasčių, draudžiamas gaubtų išmontavimas bei įrenginio vidaus atskleidimas. Įrenginio remontas turėtų būti aptarnaujamas kvalifikuoto techninio personalo.

Draudžiama ardyti įrenginį bei atidarinėti jo korpusą, nes jo viduje nėra jokių dalių, kurias galėtų naudotojas pataisyti. Techninė priežiūra ir remontas aptarnaujami tik kvalifikuoto techninio personalo.

SAUGOS INSTRUKCIJOS

1. Perskaitykite instrukcijas – prieš naudodami įrenginį perskaitykite visą naudojimo instrukciją ir saugos informaciją.
2. Išsaugokite instrukcijas – privaloma išsaugoti naudojimo ir valdymo instrukcijas būsimam naudojimui.
3. Laikykitės įspėjimų – privaloma laikytis visų prietaiso įspėjimų pateiktų ant įrenginio ir vadovautis naudojimo instrukcijomis.
4. Laikykitės instrukcijų – privaloma vadovautis naudojimo instrukcijomis bei nurodymais vartotojui.
5. Diegimas – nustatykite įrenginį pagal gamintojo instrukcijas.
6. Maitinimo šaltiniai – įrenginys turi būti maitinamas tik iš šaltinių, kurių parametrai nurodyti maitinimo laido žymenyse. Jei vartotojas nėra tikras, kokios energijos tipą turi namuose, turėtų susisiekti su savo įrenginio platintoju arba vietiniu elektros energijos tiekėju.
7. Maitinimo šaltinio įžeminimas arba poliarizacija – įrenginys neturi būti įžemintas. Privaloma įsitikinti, kad kištukas yra visiškai įdėtas į elektros tinklo lizdą arba pratęsimo laidą, kad išvengtų kaiščių ar kontaktų ekspozicijos. Kai kuriose įrenginio versijose gali būti polarizuotas kintamosios srovės maitinimo kaištis (su vienu platesniu kaiščiu). Šis kištukas gali būti prijungtas į elektros tinklo lizdą tik vienu būdu. Tai apsaugos funkcija. Jei negalite įkišti kištuko į lizdą, pabandykite jį apsukti. Jei kištukas vis dar netelpa į lizdą, elektrikas turėtų jį pakeisti. Draudžiama nuimti apsaugos priemonės nuo polarizuoto kištuko. Jeigu naudojamas pratęsimo laidas ar maitinimo laidas kitokie nei pateikti kartu su įrenginiu, jie turėtų turėti tinkamus kištukus ir saugos sertifikatus reikalaujamus tam tikroje šalyje.
8. Maitinimo laido apsaugos priemonės – maitinimo kabeliai turi būti nuvesti taip, kad po juos negalėtumėte vaikščioti, jų prispausti ar prikirsti padėtais objektais. Atkreipkite ypatingą dėmesį į kištukus, maitinimo lizdus ir vietas, kuriose laidai išvesti iš įrenginio.
9. Perkrovimas – draudžiama perkrauti sieninius lizdus, pratęsimo lizdus ir elektros skirstytuvus, nes tai gali sukelti gaisrą arba elektros smūgį.
10. Vėdinimas – įrenginys turi būti tinkamai vėdinamas. Draudžiama dėti įrenginį ant lovos, sofas ar ant panašių paviršių. Draudžiama pridengti įrenginį staltiesėmis, servetėlėmis, laikraščiais ir pan.
11. Šiluma – nedėkite įrenginio arti šilumos šaltinių, tokių kaip šildytuvai, radiatoriai, krosnys ar kiti prietaisai (įskaitant stipriklus), kurie gamina šilumą. Nedėkite ant įrenginio uždegtų žvakių ar kitokių atviros ugnies šaltinių.
12. Vanduo ir drėgmė – norėdami sumažinti gaisro ar elektros smūgio pavojų, saugokite įrenginį nuo tiesioginio lietaus, vandens ir drėgmės poveikio, tokio kaip pvz. saunoje ar vonioje. Nenaudokite šio įrenginio šalia vandens, pavyzdžiui, prie vonios, kriauklės, virtuvės ar kubelio, šlapiami rūšyje arba prie baseino (ar panašiose vietose).
13. Objektai ir skysčiai įrenginyje – draudžiama kišti bet kokius daiktus per įrenginio angas, nes jie gali liestis su pavojingos įtampos taškais ir komponentais, dėl ko gali kilti gaisras arba įvykti elektros smūgis. Griežtai draudžiama išpilti bet kokius skysčius ant įrenginio paviršiaus. Draudžiama dėti ant įrenginio viršaus objektus, kuriuose yra skysčių.

14. Valymas – prieš valydamis visada išjunkite įrenginį iš elektros tinklo lizdo. Dulkes aplink garsiakalbį galima nuvalyti sausu skudurėliu. Jei valymui naudojamas aerosolis, nepartartina kreipti purškimo srauto tiesiai į prietaisą, bet ant skudurėlio. Būkite atsargūs, kad nesugadintumėte pavaros įtaisų.
15. Papildoma įranga – draudžiama naudoti priedus, kurie nėra patvirtinti gamintojo, nes jie gali kelti pavojų.
16. Priedai – draudžiama statyti įrenginį ant nestabiliu vežimėlio, stovo, trikojo, atramos ar stalo. Prietaisas gali apsversti ir susidagninti, bei sunkiai sužeisti vaiką ar suaugusį asmenį. Privaloma naudoti tik gamintojo nurodytus vežimėlius, stovus, trikojus, atramas ar stalus arba paruošdamos kartu su įrenginiu. Įrenginio surinkimą privaloma atlikti pagal gamintojo instrukcijas naudodami gamintojo rekomenduojamą surinkimo komplektą.
17. Prietaiso perkėlimas – ant vežimėlio padėti įrenginį būtina stumti labai atsargiai. Staigus stabdymas, per didelė jėga arba netolygūs paviršiai gali sukelti vežimėlio išsivertimą kartu su įrenginiu.
18. Įrenginio nenaudojimo laikas – atjunkite maitinimo laidą nuo elektros lizdo audros su žaibais metu arba jeigu įrenginys nebus naudojamas ilgą laiką.
19. Techninis aptarnavimas – draudžiama savarankiškai bandyti asmeniškai naršyti įrenginį. Dangčio atidarymas gali sukelti kontaktą su pavojinga įtampa ir sukelti vartotojui kitus pavojus. Techninė priežiūra ir remontas aptarnaujami tik kvalifikuoto techninio personalo.
20. Kai įrenginys nenaudojamas, atjunkite jo maitinimo kištuką nuo elektros lizdo. Kai prietaisas prijungtas prie maitinimo šaltinio, jis veikia budėjimo režime ir nėra visiškai išjungtas.
21. Atsarginės dalys – keičiant dalis, įsitikinkite, kad techninės priežiūros darbuotojas panaudojo gamintojo rekomenduotas atsargines dalis arba kad dalys yra identiškos originalioms dalims. Nepatvirtintų dalių panaudojimas sukelia gaisro, elektros smūgio pavojų ar kitus pavojus.
22. Pagrindiniai saugikliai – kad prietaisas būtų nuolat apsaugotas nuo gaisro, naudokite tinkamo tipo ir parametrų saugiklius. Saugiklių parametrai tam tikrame įtampos diapazone yra pažymėti ant įrenginio.
23. Draudžiama didinti garsumą klausydami nedidelio garsumo kūrinių dalies arba nesant įvesties audio signalui. Kitaip garsiakalbis gali sugesti jei signalo stiprumas sparčiai padidėja.
24. Vienintelis būdas visiškai atjungti įrenginį nuo maitinimo šaltinio tai ištraukti maitinimo laidą iš elektros srovės lizdo arba įrenginio. Naudojant įrenginį, visada turi būti prieinamas elektros tinklo lizdas arba maitinimo laido įėjimas į įrenginį.
25. Įrenginys turi būti dedamas šalia maitinimo tinklo lizdo arba pratęsimo laido taip, kad jis visada būtų prieinamas.
26. Didžiausia įrenginio aplinkos temperatūra tai 35°C.
27. Patarimai dėl elektrosstatinių iškrovų - jei prietaiso veiksmingumas yra veikiamas elektrosstatinių iškrovimų, išjunkite jį ir vėl įjunkite arba perkelkite įrenginį į kitą vietą.
28. Baterija
 - a. Baterijos negali būti veikiamos per didelės temperatūros, pavyzdžiui, saulės spindulių, ugnies ir t.
 - b. Išmesdami baterijas, atkreipkite dėmesį į aplinkosaugos aspektus.
 - c. Įspėjimas dėl baterijų naudojimo: norėdami išvengti baterijų nutekėjimo, dėl kurio galite sužaloti savo kūną ar sugadinti įrenginį:
 - Įdėdami bateriją atkreipkite dėmesį į jos poliarizaciją (+ ir -).
 - Nenaudokite skirtingų baterijų tuo pačiu laiku - senų ir naujų, standartinių ir šarminių baterijų ir kt.
 - Ilgesnį laiką nesinaudojant įrenginiu, išimkite iš jo baterijas.

ĮSPĖJIMAS

Įrenginiu neturėtų naudotis asmenys (įskaitant vaikus), turintys mažesnes fizines, juslines ar psichines galimybes, ir asmenys, neturintys pakankamai žinių ir patirties, jei jie nėra prižiūrimi asmenų atsakingų už jų saugą, ir nebuvo jiems nurodyta, kaip saugiai naudoti įrenginį. Suaugusių asmenų buvimas reikalingas, jei vaikai naudoja prietaisą; tai užtikrins saugų įrenginio naudojimą.

1. Niekada nepalikite veikiančio įrenginio be priežiūros. Išjunkite prietaisą, kai jis nenaudojamas, net trumpą laiką.
2. Prietaiso negalima valdyti per išorinį laikrodį su sinchronizavimo grandinėmis arba per atskirą nuotolinio valdymo sistemą.
3. Norėdami išvengti pavojaus maitinimo laido sužalojimo atveju, jį pakeisti turėtų gamintojas, įgaliotas aptarnavimo centras ar kitas kvalifikuotas asmuo.
4. Prieš pradėdami įrenginio naudojimą patikrinkite, ar jo įtampa atitinka vietos maitinimo įtampą.
5. Draudžiama uždenkti prietaiso ventilacijos angas, pvz. laikraščiais, staltiese, užuolaidomis ir pan. Įsitikinkite, kad virš įrenginio yra ne mažiau kaip 20 cm laisvos vietos ir bent 5 cm iš kiekvienos jo pusės.
6. Neleiskite, kad ant įrenginio nutekėtų ar išsilietų skystis, be to, nedėkite ant jo pripildytų skysčiais objektų, tokių kaip vazos.
7. Norėdami išvengti gaisro ar elektros smūgio, apsaugokite prietaisą nuo karštų vietų, lietaus, drėgmės ir dulkių poveikio.
8. Draudžiama statyti įrenginį arti bent kokių vandens šaltinių, pvz. čiauptų, vonių, skalbimo mašinų ar plaukiojimo baseinų. Įrenginį dėkite ant lygaus ir stabilaus paviršiaus.
9. Saugokite įrenginį nuo stipraus magnetinio lauko.
10. Draudžiama statyti įrenginį tiesiai ant stiprintuvo ar AV imtuvo.
11. Draudžiama statyti įrenginį drėgnoje vietoje, nes drėgmė neigiamai veikia elektrinius komponentus.
12. Kai įrenginys atnešamas iš šaltos į šiltą vietą arba į drėgną vietą, ant objektyvo, esančio grotuvo viduje, gali įvykti drėgmės kondensacija. Tokiu atveju įrenginys dirbs netinkamai. Palikite įrenginį maždaug vienai valandai, kad drėgmė išgaruotų.
13. Draudžiama valyti įrenginį cheminiais tirpikliais, nes jie gali pažeisti dengiamąjį laką. Prietaisą valykite švariu, sausu arba šiek tiek drėgnu skudurėliu.
14. Ištraukdami kištuką iš sieninio lizdo, visada traukite už kištuko, niekadous už maitinimo laido.
15. Jeigu įjungtas įrenginys naudojamas šalia įjungto televizoriaus, jis gali sukelti vaizdo iškraipymą linijos ekrane pavaldalu. Tai priklauso nuo TV transliacijos bangų juostos. Tai nereiškia, kad įrenginys arba televizorius yra sutrikę. Jei matote tokias linijas, atitolinkite įrenginį nuo televizoriaus.
16. Maitinimo kištukas naudojamas maitinimo įtampos atjungimui ir visada turėtų būti prieinamas.
17. Norėdami išvengti gaisro praradimo, ilgai neklusykite galios muzikos.



DĖMESIO



Deklaracija

Šiuo Blaupunkt Competence Center 2N-Everpol Sp. z o.o. deklaruoja, kad šis įrenginys atitinka Direktyvos 2014/53 / ES reikalavimus ir kitas atitinkamas nuostatas. Visą atitiktą deklaraciją galite rasti interneto svetainėje www.blaupunkt.com gaminio skyriuje.

Atsakingas subjektas 2N-Everpol Sp. Z o.o.

Puławska 403A, 02-801 Warszawa, Polska

Telefonas: +48 22 688 08 00, e. paštas: info@everpol.pl



Produktas pagamintas iš aukštos kokybės medžiagų ir komponentų, kuriuos galima perdirbti ir pakartotinai naudoti.



Jei ant jūsų įrenginio yra perbrauktas šiukšlių dėžės ženklas su ratukais, tai reiškia, kad gaminiui taikomos Europos direktyvos 2012/19/ES nuostatos. Remdamiesi tuo, laikykitės vietinių taisyklių ir susipažinkite su vietinės elektros ir elektroninės atliekų surinkimo sistemos reikalavimais, o šio gaminio atveju jų laikykitės.

NEIŠMESTI ŠIO GAMINIO SU BUITINIŲ ATLIEKUMIS!

ŠIAME GAMINĖJE YRA PAVOJINGŲ MEDŽIAGŲ, MIŠINIŲ IR KOMPONENTŲ, KURIE NETEISUS GALI BŪTI GALIMO POVEIKIO GAMTINAI APLINKAI IR ŽMONIŲ SVEIKATAI ŠALTINIS!

Tinkamai išmesdami panaudotą gaminį išvengsite neigiamo poveikio aplinkai ir žmonių sveikatai.



Šiame įrenginyje yra baterijos, kurioms taikoma Europos direktyva 2006/66/EC. Baterijas draudžiama išmesti kartu su buitinėmis atliekomis. Privaloma susipažinti su vietos atskirų medžiagų rinkimo reglamentus, nes dėl teisingo šalinimo bus išvengta galimų neigiamų pasekmių aplinkai ir žmonių sveikatai.

Informacija apie aplinkos apsaugą

Pakuotėje yra tik būtini elementai. Buvo imtasi visų pastangų, kad būtų galima lengvai atskirti tris pakuotės sudedamąsias dalis: kartoną (dėžė), polistirolo putplastį (apsauginė dangą) ir polietileno (krepšeliai, apsauginis lakštas). Prietaisas pagamintas iš medžiagų, kurios gali būti perdirbamos ir pakartotinai panaudotos, kai jas išmontuoja specializuota įmonė. Privaloma laikytis vietinių pakavimo medžiagų, sunaudotų baterijų ir nereikalingų įrenginių šalinimo taisyklių. Medžiagų įrašymui ir atkūrimui gali reikėti sutikimo. Žr. autorių teisių ir atlikėjų/artistų teisių įstatymą.

Pastaba apie ERP2 (su energija susijusią įrangą)

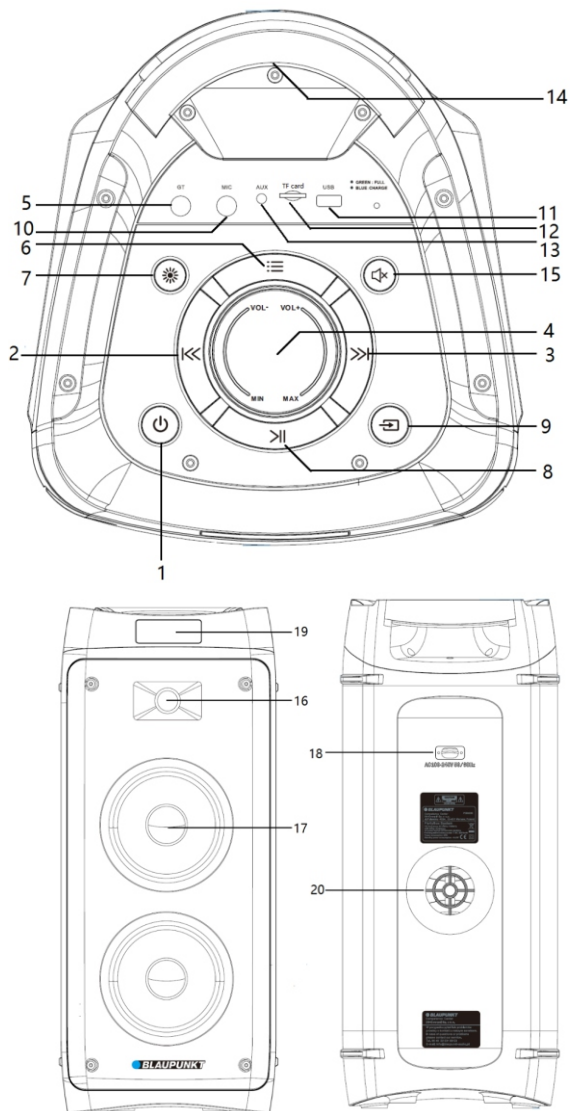
Šis ekologinio projektavimo įrenginys atitinka Komisijos reglamento (EB) Nr. 1275/2008, kuriuo įgyvendinama Direktyva 2009/125/EB dėl nenaudojamų ir budėjimo režimo elektroninių prietaisų energijos vartojimo biure ir buities reikmėms, 2 etapui.



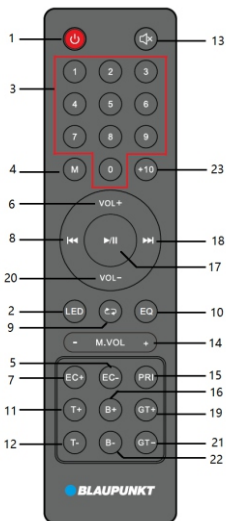
Bluetooth® prekės ženklai ir logotipai priklauso įmonei Bluetooth SIG, Inc. JAV. Šių ženklų ir logotipų naudojimas pagal licenciją. Kiti prekių ženklai ir prekių pavadinimai priklauso atitinkamiems savininkams.

Dėkojame, kad įsigijote mūsų įrenginį. Prieš pradėdami dirbti, atidžiai perskaitykite ir susipažinkite su instrukcijos turiniu. Prašome laikyti instrukciją dėl tolesnio naudojimo.

Valdymo panelė



- 1- Įjungimo / išjungimo jungiklis; 2,3- ankstesnis / sekantis; 4- Garsumo valdymas; 5- Gitaros lizdas;
 6- Meniu mygtuką, paspauskite kelis kartus, kad perjungtumėte į soprano/boso/mikrofono garsumo/mikrofono
 aido/mikrofono soprano/mikrofono boso/gitaros garsumo nustatymus; 7- Disko apšvietimas;
 8- Atkūrimas / pauzė; 9- Šaltinio pasirinkimo mygtukas; 10- Laidinio mikrofono įvesties lizdas;
 11- USB lizdas; 12 - MicroSD lizdas; 13- AUX IN įvestis; 14- Rankena; 15 - Nutildymas;
 16- Aukštų dažnių kolonėlė; 17 - Vidutinių žemų dažnių kolonėlė; 18- Kintamosios srovės (AC) maitinimo
 laido lizdas; 19- Ekranas; 20 - Bass-Reflex prievadas;



Nuotolinio valdymo pultas

- 1 – Maitinimo mygtukas;
- 2- Mygtukas, skirtas diskotekos apšvietimui įjungti / išjungti;
- 3- Skaičių mygtukai;
- 4- Mygtukas skirtas įjungti / išjungti atsitiktinio atkūrimo funkciją;
- 5,7 - Aido reguliavimo mygtukai +/-;
- 6,20 - Garsumo nustatymo mygtukai +/-;
- 8,18- Ankstesnis ir kitas, kanalo mygtukas - / +;
- 9 - Kartojimo funkcijos mygtukas (vieno kūrinio kartojimas/visų kūrinių kartojimas/atsitiktinis atkūrimas);
- 10 -Ekvalaizeris EQ(flat/POP/Rock/Jazz/Classic);
- 11, 12 - Aukštų tonų reguliavimo mygtukai +/-;
- 13- Nutildymo mygtukas;
- 14 - Mikrofono garsumo reguliavimo mygtukai +/-;
- 15 - Mikrofono pirmumo mygtukas;
- 16,22- Žemų tonų reguliavimo mygtukai +/-;
- 17- Atkūrimas / pauzė;
- 19, 21- Gitaros lizdo GT garsumo reguliavimo mygtukai +/-;
- 23 – Mygtukas +10;

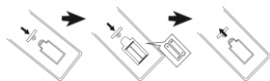
Maitinimo prijungimas: Prašome patikrinti, ar maitinimo šaltinis atitinka nominalios įtampos specifikacijai, kuri yra galiniame prietaiso skyde. Jei neatitinka, reikia susisiekti su pardavėju arba servisu. Įkiškite moterišką maitinimo laido kištuką į prietaiso lizdą, tada įjunkite maitinimo laidą į sieninį lizdą dėl maitinimo šaltinio gavimo.

Akumuliatoriaus įkrovimas: integruotas akumuliatorius leidžia atkurti muziką neprijungus prie elektros tinklo. Kai akumuliatorius įkraunamas, viršutiniame skydelyje esantis įkrovimo šviesos diodas įsijiebs raudonai. Po visiško įkrovimo indikatorius keičia spalvą į žalią. Akumuliatorius įkraunamas net išjungus prietaisą, bet naudojant kintamosios srovės maitinimo šaltinį. Akumuliatoriaus įkrovimo laikas yra 4 valandos, o atkūrimo laikas yra 3~5 valandos, priklausomai nuo atkūrimo garsumo lygio. Įrenginys išsijungs automatiškai, jei išsikraus akumuliatorius, jį reikia įkrauti, kad būtų galima atkurti toliau.

Dėmesio: Budėjimo režimu (trumpai paspaudus maitinimo mygtuką viršutiniame skydelyje arba nuotolinio valdymo pulteliu) įrenginys automatiškai pradės krauti po 15 minučių, atsižvelgiant į ekologinio projekto reikalavimus. Norėdami skubiai įkrauti, paspauskite ir palaikykite maitinimo mygtuką (išjunkite įrenginį). Atkuriant muziką įrenginys gali būti nuolat įkraunamas.

Akumuliatoriaus eksploatacija:

1. Kai akumuliatorius išsikrovęs arba beveik išsikrovęs, jį reikia kuo greičiau įkrauti. Jei jis nebus įkrautas ilgą laiką, jo vidinė talpa sumažėja, dėl ko visiškai įkrovimas bus neįmanomas arba sutrumpės veikimo laikas.
2. Jei reikia pakeisti akumuliatorių, susisiekite su vietiniu "Blaupunkt" techninės priežiūros centru.
3. Nekrauti akumuliatoriaus ilgiau nei 24 valandas. Perteklinis iškrovimas ar įkrovimas sutrumpina akumuliatoriaus gyvavimo trukmę. Dažnas įkrovimas ir iškrovimas turi įtakos akumuliatoriaus gyvavimo ir atkūrimo trukmei. Negalima garantuoti to paties atkūrimo laiko per visą akumuliatoriaus naudojimo laiką. Kintanti akumuliatoriaus gyvavimo trukmė negali būti pagrindas reikalauti atlikti garantinį aptarnavimą.



Nuotolinio valdymo pulto baterijos instaliacija

Atidarykite akumuliatoriaus skyriaus dangtelį ir įdėkite 2 AAA baterijas (rinkinyje); Įsitikinkite, kad baterijų įdėjimas atitinka kameroje išspausdintus teigiamus ir neigiamus poliškumo simbolius. Po to uždarykite baterijų dangtelį.

Pastabos:

- a. Geriausias nuotolinio valdymo pulto darbinis atstumas yra 5 metrai be jokių kliūčių. Naudojant nuotolinio valdymo jutiklis turi būti nukreiptas į įrenginio priekį.
- b. Nuotolinio valdymo pulto jautrumas išsikrovus baterijai taps silpnesnis. Išnaudotas baterijas reikia iškeisti naujomis.
- c. Jei nenaudojate prietaiso ilgą laiką, išimkite baterijas.
- d. Baterijas reikia utilizuoti aplinkai nekenksmingu būdu. Norėdami tai padaryti, turite susipažinti su vietos valdžios institucijų reikalavimais.

Bendras valdymas

1. Įjungimas / išjungimas: Ilgai spaudžiant (2 sekundes) maitinimo mygtuką viršutiniame skydelyje galima įjungti/išjungti įrenginį. Trumpai paspaudus maitinimo mygtuką viršutiniame skydelyje arba naudojant nuotolinio valdymo pultą, įrenginį galima perjungti į budėjimo režimą; Siūlome visiškai išjungti įrenginį, jei nenaudojamas ilgesnį laiką.

- 2. Atkūrimo šaltinio pasirinkimas:** Paspauskite šaltinio pasirinkimo mygtuką viršutinėje panelėje arba nuotolinio valdymo pulto atkūrimo režimo mygtuką, kad perjungtumėte atkūrimo šaltinį į FM / Bluetooth / Line in / USB / microSD..
- 3. Garsumo reguliacija:** Pasukite garsumo valdymo rankenėlę ant viršutinės panelės arba paspauskite mygtuką VOL +/- nuotolinio valdymo pulte, kad padidintumėte arba sumažintumėte garsumą.
- 4. Aukštų ir žemų tonų reguliavimas:** pirmiausia trumpai paspauskite meniu mygtuką viršutiniame skydelyje, pasukite garsumo rankenėlę, kad sureguliuotumėte aukštų tonų lygį, ekrane pasirodys atitinkamas aukštų tonų lygio skaitmuo. Norėdami pereiti prie boso reguliavimo, dar kartą paspauskite aukštų ir žemų tonų mygtuką. Tą pačią funkciją galima pasiekti nuotolinio valdymo pulte paspaudus aukštų tonų mygtuką. +/-.
- 5. Garso nutildymas:** MUTE mygtuko paspaudimas viršutinėje panelėje arba nuotolinio valdymo pulte sukels garso sutildymą; Paspaudus šį mygtuką vėl atkuriamas garsas iki anksčiau nustatyto lygio.
- 6. Korektorius nustatymas:** Paspaudus atitinkamą nuotolinio valdymo pulto mygtuką galite pakeisti korektorius režimą tarp Jazz / Classic / Flat / POP / ROCK/ Country (tik su USB / SD režimu).
- 7. Ekvalizeris EQ:** kelis kartus paspauskite ekvalizerio mygtuką nuotolinio valdymo pulte, kad perjungtumėte ekvalizerio režimą tarp nustatymų: FLAT/POP/ROCK/JAZZ/CLASSIC.
- 8. Kartojimas ir atsiktinis atkūrimas:** Paspauskite kartojimo mygtuką, kad perjungtumėte muzikos atkūrimą į vieno kūrinio/visų kūrinių kartojimo/atsiktinio atkūrimo režimą;
- 9. Apšvietimas:** keletą kartų paspauskite apšvietimo mygtuką, kad įjungtumėte apšvietimo režimą tarp aštuonių efektų arba į išjungtumėte.
- 10. Skaičių mygtukai ir mygtukas +10:** paspauskite skaičių mygtukus, kad pasirinktumėte konkretų kūrinio numerį USB/microSD atkūrimo režimu; arba perjunkite užprogramuotos radijo stoties numerį FM režimu. Norėdami greitai pasirinkti kūrinį, kurio numeris 10 didesnis, paspauskite mygtuką +10.
- 11. Ankstesnis/Sekantis:** trumpai paspauskite pasirinktą mygtuką, kad perjungtumėte ankstesnį ar kitą kūrinį Bluetooth/USB/microSD atkūrimo režimu.
- 12. Meniu mygtuko valdymas:** tai daugiavertis mygtukas, paspauskite jį kelis kartus, kad perjungtumėte soprano/boso/mikrofono garsumo/aido/mikrofono aukštų tonų/mikrofono žemų tonų/gitaros garsumo nustatymą; tada nedelsdami pasukite garsumo reguliavimo rankenėlę, kad sureguliuotumėte reikiamą lygį; Šiek tiek palaukite, kad išeitumėte iš nustatymų. (Informacija ekrane: TE= soprano lygis, BS= boso lygis, CU= mikrofono garsumas, EC= aidas, T= aukšti mikrofono tonai, B= žemi mikrofono tonai, GE= gitara)

FM radijo valdymas

Prieš klausydamiesi FM radijo, perkelkite prietaisą prie lango, kad gautumėte geresnį FM radijo ryšį. Prietaise yra įmontuota vidinė FM priėmimo antena.

- 1. Automatinis radijo stočių nuskaitymas ir programavimas (automatinis režimas):** Norėdami automatiškai ieškoti ir išsaugoti surastas radijo stotis, trumpai paspauskite atkūrimo/pauzės mygtuką viršutiniame skydelyje arba nuotolinio valdymo pulte. Kai nuskaitymas bus baigtas, įrenginys automatiškai pradės groti pirmąją iš anksto nustatytą stotį. (Maksimalus palaikomas iš anksto nustatytų stočių skaičius: 40)
- 2. Radijo stočių pasirinkimas:** norėdami pasirinkti ir paleisti ankstesnę ar kitą numatytą stotį radijo režime paspauskite mygtuką ankstesnis/kitas viršutinėje panelėje arba nuotolinio valdymo pulte. Taip pat galite greitai pasirinkti užprogramuotą stotį įvesdami jos numerį nuotolinio valdymo pulte esančiais skaičių mygtukais.
- 3. Rankinis nustatymas:** paspauskite ir palaikykite ankstesnį / kitą mygtuką per 2 sekundes, norėdami nuskenuoti aukščiau arba žemiau dažnių juostoje prienamą stotį ir automatiškai paleisti stotį, nuotolinio valdymo pulte esančiais skaičių mygtukais įveskite radijo stoties dažnio numerį ir truputį palaukite, prietaisas pasirinks ir paleis norimą radijo stotį.

USB/microSD atkūrimas

Įrenginys turi USB/microSD atkūrimo funkciją, kuri gali dekoduoti ir atkurti muziką iš USB/microSD nešiojamos atminties. Prieš atkurdami kopijuokite MP3 / WMA muziką į nešiojamą atmintį; Įdėkite atmintį į įrenginį, nes USB/microSD atkūrimo režimas galimas tik tada, kai atmintis yra tinkamai prijungta. Tada prietaisas automatiškai atpiks ir paleis MP3/WMA failus. Kūrinio atkūrimas: trumpai paspauskite mygtuką ankstesnis/kitas, norėdami pasirinkti ankstesnę ar kitą kūrinį; Paspauskite ir laikykite nuspaudę perstūmimo mygtuką, kad pereitumėte į priekį esamą grojamą kūrinį, atleiskite mygtuką, kad toliau grotų kūriny.

USB/microSD režime Galimos šios funkcijos: atkūrimas / pauzė, nutildymas, pakartojimas, garso korektorius, aukštų/žemų tonų reguliacija/funkcija +10 ir pan. Išsami informacija pateikta šios instrukcijoje skyriuje „Bendras valdymas“.

Pastabos:

- a) Nerekomenduojama USB atmintį prijungti su USB prailgtuvu, nes jis gali turėti neigiamą poveikį atkūrimo kokybei ir sukelti triukšmą ar prtraukti garšą, tai sukelia garso duomenų praradimas per failų perdavimą.
- b) Negalima garantuoti visų MP3/WMA/WAV/FLAC formato kūrinių dekodavimo ir atkūrimo.
- c) Įrenginys palaiko atmintį, kurios maksimali talpa iki 32GB
- d) Atsižvelgiant į USB atminties tipą ir gamintoją automatiškas atkūrimas gali užtrukti šiek tiek ilgiau; Atminkite, kad tai nėra gedimas.

Bluetooth veikimas

Šis gaminys turi Bluetooth funkciją leidžiančią belaidžiu būdu leisti muziką iš kito Bluetooth įrenginio (pvz. išmanojo telefono, planšetinio kompiuterio ir tt).

1. Norėdami įvesti Bluetooth režimą paspauskite šaltinio pasirinkimo mygtuką keletą kartų, o Bluetooth simbolis mirksės displejuje, kas reiškia, kad įrenginys pasiruošęs poravimui.
2. Įjunkite Bluetooth funkciją išoriniame įrenginyje ir ieškokite galimo įrenginio (žr. išorinio įrenginio naudojimo instrukciją), tada patikrinkite galimą Bluetooth įrenginį sąraše. Pasirinkite „BP PB06“ suporavimui, o Bluetooth simbolis švies pastoviai displejuje po suporavimo.
3. Pasirinkite ir paleiskite muziką iš išorinio Bluetooth įrenginio, o tada garsas bus atkuriamas naudojant šio įrenginio garsiakalbį.
4. Norėdami pasirinkti paskutinį ir kitą kūrinį atkūrimo metu paspauskite mygtuką sekantis/ankstesnis . Bluetooth režime galite gauti grojimo / pauzės funkciją, nutildyti, koreguoti garšą, koreguoti aukštus ir žemus tonus. . Išsami informacija pateikta šios instrukcijoje skyriuje „Bendras valdymas“.

Pastabos:

- Dėl skirtingų dizainų ir prekių ženklų negalima garantuoti visų Bluetooth įrenginių prijungimo.
- Bluetooth darbinis atstumas yra 10 metrų be jokių kliūčių.
- Įrenginys gali suportuoti ir vienu metu dirbti su vienu Bluetooth įrenginiu.
- Gaunamas skambutis Bluetooth atkūrimo metu; Muzika sustos akimirksniui ir po skambučio vėl bus atkuriamas.
- Laikykite nuspaudę atkūrimo/pauzės mygtuką viršutiniame skydelyje, kad uždarytumėte dabartinį ryšį su Bluetooth įrenginiu ir pradėtumėte poruotis su kitu prietaisu.

Belaidžio „Bluetooth TWS stereo“ (True Wireless Stereo) funkcija: „Bluetooth“ atkūrimo metu kolonėlė turi belaidžio „Bluetooth TWS stereo“ funkciją. Ši funkcija prieinama dviem „Bluetooth“ režimą perjungtomis kolonėlėmis. Kai pirmą kartą paleidžiate belaidžio stereo funkciją, kaip pagrindinį įrenginį pasirinkite vieną iš dviejų kolonėlių. Tada ilgai spauskite viršutiniame skydelyje esantį (3 sekundes) „mode“ mygtuką, kad susietumėte pagrindinę kolonėlę su antra prieinama kolonėle. Sėkmingai susiejus prietaisus iš kolonėlės girdėsis trumpas pyptelėjimas. Sėkmingai susiejus TWS, iš kolonėlės pasigirs trumpas garsas. Papildomos kolonėlės ekrane nuolat bus rodoma „SLAU“, o pagrindinės kolonėlės ekrane mirksės „BLUE“. Tada galite pradėti susieti ir naudoti „Bluetooth“, ir garsas bus skleidžiamas vienu metu iš abiejų kolonėlių. Jei pagrindinės kolonėlės atkūrimo režimas pakeičiamas į FM/microSD/USB arba AUX, garsą ir toliau skleis abi susietos kolonėlės. Pirmo TWS poravimo metu iš kolonėlės gali sklirti „sa sa sa...“ garsai - tai nėra defektas..

TWS atkūrimo režimu visi nustatymai bus galimi pagrindinėje kolonėlėje. Papildomoje kolonėlėje nėra kai kurių funkcijų, atkreipkite dėmesį, kad tai nėra defektas. Išjungus pagrindinę kolonėlę, TWS atkūrimas sustos. Jei įjungtas budėjimo režimas, kolonėlė išjungta/įjungta, ilgai paspauskite (3 sekundes) atkūrimo režimo mygtuką, kad vėl susietumėte kolonėles TWS režimu. Vėl ilgai paspaudus atkūrimo režimo mygtuką TWS režimu, susietos kolonėlės bus atjungtos.

Veikimas AUX IN režime

Jei norite prisijungti ir paleisti muziką iš kito grotuvo ar įrenginio, vadovaukitės toliau pateiktomis instrukcijomis:

Naudojant audio kabelį (rinkinyje) reikia sujungti AUX IN lizdą įrenginio viršutiniame skydelyje su linijiniu lizdu arba grotuvu, tokio kaip MP3, CD, DVD, mikseris ir pan., ausinių lizdu. Po to reikia pasirinkti ir paleisti muziką išoriniame grotuve, o garsas bus atkuriamas naudojant šį įrenginį.

AUX-IN režime pagrindinį atkūrimo valdymą atlieka išorinis. Šiame prietaise galite valdyti garsumą, nutildyti garsą ir reguliuoti boso ir soprano lygį.

Karaoke

Atidarykite belaidžio mikrofono baterijos dangtelį (rinkinyje), įdėkite 2 sausas AA dydžio baterijas (nėra rinkinyje) pagal išgravuotą teigiamą ir neigiamą poliškumo simbolių baterijos skyriuje ir uždarykite mikrofono baterijos dangtelį. Norėdami įjungti mikrofoną, nustatykite jungiklį į jungimo padėtį. Po kelių sekundžių garsiakalbis automatiškai susiporuoja su belaidžiu mikrofonu. Nustatykite atitinkamą mikrofono išėjimo garsumo lygį viršutinėje panelėje ir pradėkite dainuoti. Įrenginys taip pat turi įvesties lizdą laidiniam mikrofonui, įdėkite laidinio mikrofono (nėra rinkinyje) kištuką į 6,5 mm lizdą, o po to norėdami dainuoti įjunkite mikroną.

Porady:

- Norėdami reguliuoti mikrofono garsumą/aido/mikrofono aukštų tonų/mikrofono žemų tonų lygį: kelis kartus paspauskite meniu mygtuką, kad perjungtumėte soprano/boso/mikrofono garsumo/aido/mikrofono aukštų tonų/mikrofono žemų tonų lygį/gitaros garsumo nustatymą; tada nedelsdami pasukite garsumo reguliavimo rankenėlę, kad sureguliuotumėte reikiamą lygį; Šiek tiek palaukite, kad išseimtumėte iš nustatymų. (Informacija ekrane: TE= soprano lygis, BS= boso lygis, CU= mikrofono garsumas, EC= aidas, T= aukšti mikrofono tonai, B= žemi mikrofono tonai, GE= gitaras).
- Garsiakalbis gali skleisti garsų triukšmą ar iškraipymus, kai garsumo lygis, bosų ir soprano nustatymai arba aidas funkcija yra nustatyta per aukštame lygyje. Tai nėra gedimas. Sumažinkite aukščiau pateiktų nustatymų lygį, tada įjunkite arba išjunkite mikrofoną.
- Galite naudoti karaoke funkciją ir klausytis muzikos vienu metu; Jei norite padidinti karaoke garsumą ir sumažinti fono muzikos lygį, naudodami atitinkamas rankenėles galite reguliuoti mikrofono ir garsiakalbio garsumą.
- Išjunkite mikrofoną, kai jis yra šalia garsiakalbio, kitaip jis sukels daug triukšmo.
- Ant beveik mikrofono korpuso yra nutildymo mygtukas, kuris gali nutildyti mikrofono garsą.
- Šiame modelyje yra mikrofono pirmumo funkcija. Jei šią funkciją suaktyvinsite nuotolinio valdymo pulte, iš kolonėlės pirmiausia bus atkuriamas mikrofono garsas (foninė muzika bus nutildyta); baigus naudoti mikrofoną foninės muzikos atkūrimas bus automatiškai atnaujintas.
- Belaidžius ir laidinius mikrofonus galima naudoti vienu metu.

Gitaros lizdas: Prie prietaiso, naudojant viršutiniame skydelyje esantį 6,3 mm gitaros lizdą, gali būti prijungtas muzikos instrumentas, pvz., gitara. Šiam tikslui naudokite papildomą kabelį (nėra rinkinyje). Kelis kartus trumpai paspauskite viršutiniame skydelyje esantį meniu mygtuką, kad perjungtumėte gitaros garsumo nustatymą (rodoma GE informacija nurodo gitarą); tada nedelsdami pasukite garsumo rankenėlę, kad sureguliuotumėte tinkamą lygį; Šiek tiek palaukite, kad išseimtumėte iš nustatymų. Gitaros garsas bus atkuriamas per kolonėlę. Taip pat galite reguliuoti gitaros garsumą paspausdami nuotolinio valdymo pultelio mygtuką GT +/-GT-.

Problemų sprendimas

- Garsiakalbis negali įsijungti.
 - Patikrinkite, ar maitinimo prijungimas yra teisingas.
- Nėra garso.
 - Pabandykite sureguliuoti garso regulatorių ir patikrinti atkūrimo šaltinį.
 - Jei problema išlieka, susisiekiite su serviso centru.
- Garso iškraipymas.
 - Pabandykite sureguliuoti ir klausyti muziką žemesniame lygyje.
 - Patikrinkite aukšto ar žemo tono reguliavimo būseną.

4. Triukšmas klausant FM stoties.

a. Perneškite prietaisą į kitą vietą.

b. Įjunkite pakartotinį nuskaitymą arba pakeiskite stotį į kitą.

Specifikacija

Maitinimo šaltinis: AC 110-240V, 50/60 Hz.

Maitinimas iš akumuliatoriaus: 7,4V/5000mAh

Dažnis FM: 87,5-108,0 MHz.

USB liuzdas: 5V, 500mA, versija 2.0, palaikomos masinės atmintys iki 32 GB.

MicroSD kortelė: palaikoma iki 32 GB laikmena.

USB / MicroSD kortelės palaiko MP3, WMA, WAV, FLAC muzikos formatus (visų tokių failų atkūrimas nėra garantuotas)

Bluetooth: V5,0, darbo atstumas iki 10m

Išėjimo galia RMS: 2 x 20W.

Mikrofonas: jėjimas 1 x 6,5 mm, laidinio mikrofono prijungimas.

2 x bevielis mikrofonas (dažnis: 208,8 MHz, 215MHz, maitinimo šaltinis: 2 x 1,5 V, AA)

1 x gitaros liuzdas.

Energijos sąnaudos: 40W

Energijos sąnaudos pasiruošimo režimu: <0.5W.

(Aukščiau aprašyta specifikacija gali pasikeisti be įspėjimo.)

POMEMBNA POROČILA O VARNOSTI



Pozor:

Da bi zmanjšali nevarnost električnega udara, ne razstavljajte pokrova in zadnjega dela naprave. Znotraj naprave ni elementov, ki bi jih lahko uporabnik samostojno popravil. Vzdrževalna dela in popravila lahko opravljajo le usposobljeni serviserji.

Razlaga grafičnih simbolov:



Simbol strele s puščico na koncu, v enakostraničnem trikotniku opozarja uporabnika na neizolirano »nevarno napetost« v ohišju naprave. Napetost lahko doseže vrednost, ki predstavlja tveganje električnega udara.



Klicaj v enakostraničnem trikotniku opozarja uporabnika na pomembne informacije o uporabi in vzdrževanju naprave, ki jih vsebuje dokumentacija, priložena napravi.

Prosimo, da pred uporabo naprave preberete ta navodila, da bi se seznanili s funkcijami naprave in jo uporabljali skladno z namenom. S tem lahko zagotovite dolgotrajno, nemoteno in prijetno uporabo naprave.

Pomembni podatki

- Shranite ta navodila za uporabo in poročila o varnosti, ker jih boste lahko potrebovali v prihodnosti.
- Ne dovolite, da se na napravo razlije oziroma nanjo kaplja tekočina.
- Naprave ne uporabljajte v vlažnih prostorih, kot je na primer kopalnica.
- Naprave ne smete namestiti na naslednji način:
- Naprava ne sme biti izpostavljena neposrednemu vplivu sončnih žarkov oz. se ne sme nahajati v bližini grelcev.
- Naprava se ne sme postaviti na drugo stereofonsko napravo, ki oddaja toploto.
- Naprava ne sme ovirati prezračevanja oz. se ne sme nahajati v zaprašenem prostoru.
- Naprava ne sme biti izpostavljena stalnim vibracijam.
- Naprava se ne sme nahajati v prostorih z visoko vlažnostjo.
- Naprava ne sme nahajati v bližini sveč ali odprtega ognja.
- Napravo uporabljajte le na način, opisan v teh navodilih.
- Pred prvim vklopom napajanja se je treba prepričati, da je napajalnik pravilno prikljopen.
- USB-spomin se priklopi neposredno oz. s pomočjo USB-podaljšek oz dolžino do 25 cm.

Zaradi varnosti ni dovoljeno razstavljanje ohišja oz. pronicanje v notranjost naprave. Napravo lahko popravi le usposobljeno servisno oseboje.

Ne razstavljajte in ne odpirajte ohišja naprave, kajti noter ni delov, ki bi jih lahko popravil uporabnik. Vzdrževalna dela in popravila lahko opravljajo le usposobljeni serviserji.

POROČILA O VARNOSTI

1. Preberite navodila za uporabo – pred uporabo naprave je treba prebrati vsa navodila za uporabo in poročila o varnosti.
2. Shranite navodila za uporabo – navodila za uporabo je treba shraniti za primer kasnejše uporabe.
3. Upoštevajte opozorila – ukrepajte skladno z vsemi opozorili, ki jih vidite na napravi ter z opozorili, omenjenimi v navodilih za uporabo.
4. Sledite navodilom – ukrepajte skladno z navodili za uporabo in nasveti za uporabnika.
5. Namestitev – napravo postavite skladno s proizvajalčevimi navodili.
6. Viri napajanja – napravo napajajte izključno iz virov, ki odgovarjajo parametrom, navedenim na napajalnem kablu. Če niste prepričani, kakšno napajanje imate doma, obrnite se na prodajalca naprave oz. lokalnega dobavitelja električne energije.
7. Ozemljitev in polarizacija napajanja – napravo lahko uporabljate brez ozemljitve. Prepričajte se, da je vtič v celoti nameščen v omrežni vtičnici oz. podaljšku, tako da se stiki ne vidijo. Nekatere različice naprave so lahko opremljene s polariziranim vtičem za izmenični tok (en stik je debelejši). Takšen vtič lahko vklopite v omrežno vtičnico le na en način. To je zavarovalna funkcija. Če vtiča ne morete vklopiti v vtičnico, ga poskusite obrniti. Če se vtič še vedno ne ujema z vtičnico, naj vam jo električar zamenja. Zavarovanje iz polariziranega vtiča ne smete odstranjevati. Če uporabljate podaljšek ali napajalni kabel, ki nista priložena napravi, se prepričajte, da imata ustrezne vtiče in potrdilo o varnosti, ki se zahteva v določeni državi.
8. Zavarovanje napajalnega kabla – napajalni kabel je treba namestiti na način, ki omejuje nevarnost poteptanja, pritiskanja oz. naključnega razrezanja. Bodite posebej pozorni na vtiče, omrežne vtičnice in mesta, kjer kabli izhajajo iz naprave.
9. Preobremenitev – preobremenitev zidnih vtičnic, podaljškov in električnih razdelilnikov ni dovoljena, saj lahko to privede do požara ali električnega udara.
10. Prezračevanje – napravo je treba pravilno prezračevati. Ne postavite je na posteljo, kavč ali podobne površine. Ne prekrivajte je s prti, robci, revijami idr.
11. Toplota – naprave ne postavite v bližino virov toplote, kot so grelci, sevalniki, peči in druge naprave (tudi ojačevalniki), ki oddajajo toploto. Na napravo ne postavite gorečih sveč in drugih virov odprtega ognja.
12. Voda in vlaga – da bi zmanjšali tveganje požara ali električnega udara, naprave ne izpostavite neposrednemu vplivu dežja, vode in vlage, na primer ne postavite je v savni ali kopalnici. Te naprave ne smete uporabljati v bližini vode, na primer zverž kadi, umivalnika, korita oz. škafo, v vlažni kleti oz. v bližini bazena (in podobnih mest).
13. Predmeti in tekočine v napravi – skozi odprtine v napravi ne potiskajte nobenih predmetov, saj se tisti predmeti lahko dotaknejo točk z nevarno napetostjo in s komponentami, kar lahko privede do požara oz. električnega udara. Nikakor ne razlize nobenih tekočin na površino naprave. Na napravo ne smete postaviti predmetov, ki vsebujejo tekočine.

14. Čiščenje – preden začnete s čiščenjem, napravo vedno odklopite iz omrežne vtičnice. Prah, ki je okoli zvočnika, lahko obrišete s suho krpo. Če za čiščenje uporabljate aerosol, razpršilo usmerite na krpo, ne pa neposredno na napravo. Pazite, da se ne poškodujejo pogonske enote.
15. Dodatna oprema – ne uporabljate pripomočkov, ki jih proizvajalec ne potrdi, ker lahko predstavljajo nevarnost.
16. Pripomočki – naprave ne postavite na nestabilen voziček, stojalo, stativo, konzolo ali mizo. Naprava se lahko prevrne in poškoduje, lahko tudi hudo poškoduje otroka ali odraslo osebo. Uporabite le vozičke, stojala, stativne, konzole in mize, ki jih priporoča proizvajalec oz. ki se prodajajo skupaj z napravo. Namestitvev naprave mora potekati skladno z navodili proizvajalca, ob uporabi montažnega seta, ki ga priporoča proizvajalec.
17. Prestavljajte naprave – napravo postavite na voziček in zelo previdno prestavite. Nenadna ustavitve vozička, prevelika moč oz. neravne površine lahko pripeljejo do prevrnitve vozička z napravo.
18. Obdobje mirovanja naprave – napajalni kabel je treba odklopiti iz omrežne vtičnice v primeru neviht s strelami oz. ko naprave ne boste dlje časa uporabljali.
19. Servisiranje - naprave ne smete servisirati samostojno. Po odpiranju ohišja je uporabnik izpostavljen visoki napetosti in drugi nevarnosti. Vzdrževalna dela in popravila lahko opravljajo le usposobljeni serviserji.
20. Ko naprave ne uporabljate, odklopite njen vtič iz omrežne vtičnice. Ko je naprava priključena na vir napajanja, ni nikoli popolnoma izklopljena, vendar je v stanju pripravljenosti.
21. Nadomestni deli – ob zamenjavi delov je treba preveriti, ali je serviser uporabil nadomestne dele proizvajalca oz. ali nadomestni deli ustrezajo originalnim delom. Uporaba nepotrjenih delov lahko privede do požara, električnega udara oz. drugih nevarnih razmer.
22. Glavne varovalke – da bi napravo trajno zavarovali pred požarom, uporabite varovalke ustrezne vrste in parametrov. Parametri varovalk glede napetosti so označeni na napravi.
23. Ne povečajte glasnosti ob poslušanju tihega posnetka oz. ko ni vhodnega zvočnega signala. Z nenadnim povečanjem intenzitete signala lahko poškodujete zvočnik.
24. Edini način popolnega odklopa naprave iz vira napajanja je odklop napajalnega kabla iz omrežne vtičnice oz. iz naprave. Omrežna vtičnica oz. vhod za napajalni kabel morata biti vedno dostopna med uporabo naprave.
25. Napravo je treba postaviti v bližini omrežne vtičnice oz. podaljška, na tak način, da je vtičnica vedno dostopna.
26. Maksimalna temperatura v prostoru, kje je naprava, je 35 °C.
27. Nasveti glede električnih razelektritev – če delovanje naprave motijo električne razelektritve, je treba napravo izklopiti in ponovno vklopiti oz. jo prestaviti na drugo mesto.
28. Baterija
- Baterije ne smejo biti izpostavljene vplivu prekomerne toplote, npr. sončnih žarkov, ognja idr.
 - Pri odstranjevanju baterij je treba biti posebno pozoren na okoljevarstvena vprašanja.
 - c. Opozorilo glede uporabe baterije: da se prepreči puščanje baterije, ki lahko privede do poškodb telesa oz. naprave:
 - Ob namestitvi baterij pazite na polarizacijo (+ in -).
 - Skupaj ne smete uporabljati novih in starih baterij, standardnih in alkalnih idr.
 - Če naprave več časa ne uporabljate, odstranite baterije.

OPOZORILO

- Naprave ne smejo uporabljati osebe (vključno z otroki) z zmanjšano fizično, senzorično ali mentalno sposobnostjo ali brez izkušenj oz. znanja, razen če so pod nadzorom osebe, ki je odgovorna za njihovo varnost, oz. če so se poučile z navodili o varni uporabi naprave. Prisotnost odraslih je obvezna, če napravo uporabljajo otroci. S tem se lahko zagotovi varna uporaba naprave.
- Vklopljene naprave ne sme pustiti brez nadzora! Napravo izklopite, tudi če naprava le nekaj časa počiva.
 - Naprave ne smete uporabljati preko zunanje ure s časovnim sistemom oz. preko ločenega sistema z daljinskim upravljanjem.
 - Da bi se izognili nevarnosti v primeru poškodovanja napajalnega kabla, zamenjave lahko opravi le proizvajalec, pooblaščen servisno podjetje oz. ustrezno usposobljen strokovnjak.
 - Pred začetkom uporabe naprave je treba preveriti, ali napetost naprave ustreza napetosti lokalnega električnega omrežja.
 - Prezračevalni odprtini ne prekrivajte, npr. z revijami, prti, zavesami idr. Prepričajte se, da je nad napravo ohranjenega najmanj 20 cm prostega prostora, na straneh pa vsaj 5 cm.
 - Ne dovolite, da na napravo kaplja oz. da se nanjo razlije tekočina, na napravo ne postavite predmetov s tekočino, npr. vaz.
 - Da se prepreči nastajanje požara ali nevarnost električnega udara, napravo zaščitite pred vročino, vplivom dežja, vlage in praha.
 - Naprave ne postavite v bližini katerih koli virov vode, npr. umivalnikov, kadi, pralnih strojev oz. bazenov. Napravo postavite na ravno in stabilno podlago.
 - Naprave ne izpostavite močnemu magnetnemu polju.
 - Naprave ne postavite neposredno na ojačevalnik ali sprejemnik.
 - Naprave ne postavite na vlažno mesto, ker ima vlaga negativni vpliv na električne komponente.
 - Ko napravo prestavite iz hladnega prostora v topel oz. vlažen prostor, lahko pride do kondenzacije vlage na leči znotraj predvajalnika. To lahko povzroči nepravilno delovanje naprave. Napravo pustite vklopljeno vsaj na eno uro, da vlaga izpari.
 - Naprave ne čistite s kemijskimi topili, ker se lahko na ta način poškoduje lakirana površina ohišja. Napravo obrišete s čisto, suho oz. rahlo navlaženo krpicco.
 - Med odklopom vtiča iz omrežne vtičnice je treba vedno vleči za vtič, nikoli za napajalni kabel.
 - Ko se vklopljena naprava uporablja v bližini vklopljenega TV-ja, lahko pride do motenj slike v obliki črt na zaslonu. To je odvisno od valov TV-prenosa. To ne pomeni, da naprava oz. TV ne delujeta pravilno. Če se vidijo črte, premaknite napravo stran od TV-ja.
 - Omrežni vtič se uporablja za odklop napajanja in zato mora biti vedno dostopen.
 - Da bi preprečili nevarnost izgube sluha, glasne glasbe ne poslušajte dlje časa.



POZOR



Izjava

S tem Blaupunkt Competence Center 2N-Everpol Sp. z o.o. izjavlja, da je ta naprava v skladu z zahtevami in drugimi ustreznimi določili uredbe 2014/53/EU. Celotno izjavo o skladnosti si lahko ogledate na spletni strani www.blaupunkt.com v zavihku izdelka.

Odgovorni subjekt: 2N-Everpol Sp. Z o.o.

Puławska 403A, 02-801 Warszawa, Polska

Telefon: +48 22 688 08 00, e-naslov: info@everpol.pl



Naprava je izdelana iz visokokakovostnih materialov ter komponent, ki se lahko reciklirajo in ponovno uporabijo.



Če na vaši napravi simbol prečrtanega smetnjaka, to pomeni, da je izdelek zajet v določbah evropske direktive 2012/19/EU. Na podlagi tega upoštevajte lokalne predpise in se seznanite z zahtevami za vaš lokalni sistem zbiranja električnih in elektronskih odpadkov ter jih, v primeru tega izdelka, upoštevajte.

TEGA IZDELKA NE ODVRŽITE Z GOSPODINJSKIMI ODPADKI!

TA IZDELEK VSEBUJE NEVARNE SNOVI, ZMESI IN KOMPONENTE, KI SO LAHKO V ČE NISO DOVOLJENE VIR POTENCIALNIH UČINKOV NA NARAVNO OKOLJE IN ZDRAVJE LJUDI!

Pravilno odlaganje uporabljenega izdelka bo preprečilo negativne vplive na okolje in zdravje ljudi.



Naprava je opremljena z baterijo, ki jo določa evropska smernica 2006/66/EC. Baterija se ne sme odstranjevati skupaj z gospodinjstvi odpadki. Treba se je seznaniti z lokalnimi predpisi za ločeno zbiranje odpadnih baterij, ker le ustreznost odstranitve preprečuje morebitne negativne učinke za okolje in človekovo zdravje.

Podatki za varovanje okolja

Komplet vsebuje samo potrebne elemente. Prizadevali smo si, da bodo vsi trije elementi embalaže lahko odstranljivi: karton (škafila), polistirenska pena (zunanj zaščita) in polietilen (vreče, zaščitna plast). Naprava je izvedena iz materialov, ki se lahko reciklirajo, ter jih lahko po demontaži s strani strokovnega podjetja ponovno uporabljamo. Upoštevati je treba lokalne predpise za odstranjevanje embalaž, porabljenih baterij ter nepotrebnih naprav.

Za zapisovanje in predvajanje je treba obvezno pridobiti soglasje. Glej Zakon o avtorskih pravicah in pravicah izvajalcev/umetnikov.

Opomba glede ERP2 (naprav, povezanih z energijo)

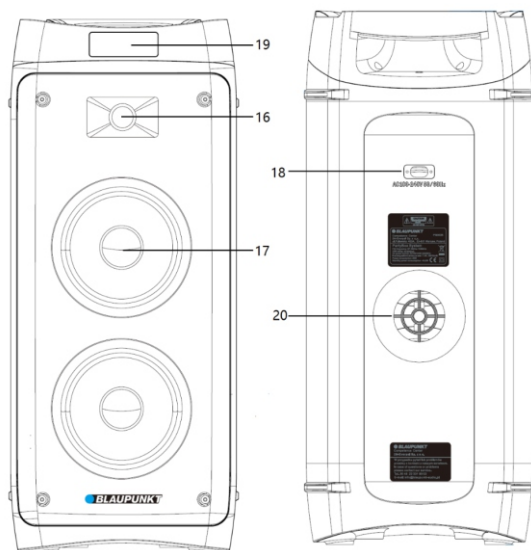
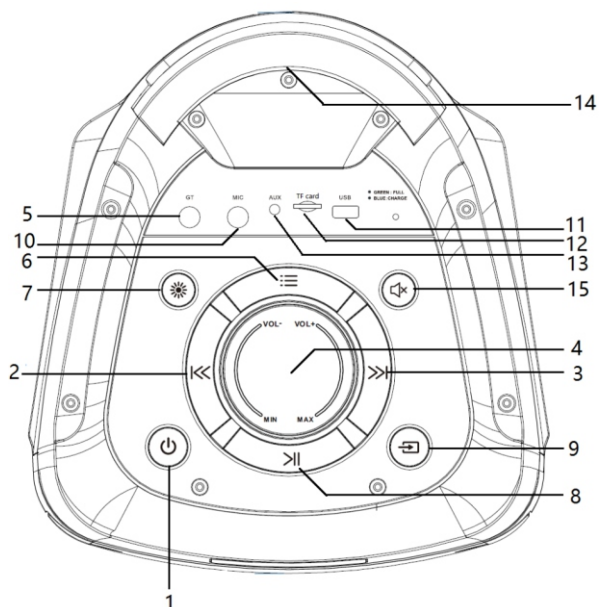
Ta naprava z ekonačrtom izpolnjuje zahteve 2. etape Uredbe Komisije (ES) št. 1275/2008 o izvajanju Uredbe 2009/125/ES glede porabe energije o vzpostavitvi okvira za določanje zahtev za primerno okoljsko zasnovane izdelke, povezane z energijo.



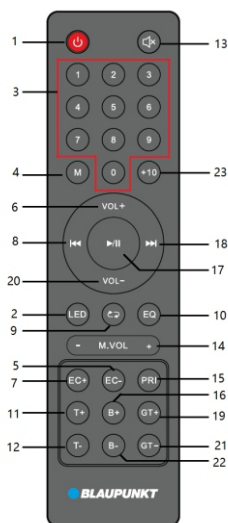
Podjetje Bluetooth SIG, Inc. USA je lastnik blagovnih znamk in logotipa Bluetooth®. Za uporabo teh znamk in logotipa se zahteva licenca. Druge znamke in trgovska imena so v lasti ustreznih lastnikov.

Zahvaljujemo vam se za nakup naše naprave. Pred začetkom uporabe je treba natančno prebrati ta navodila in se z njimi seznaniti. Shranite jih za prihodnjo uporabo.

Nadzorna plošča



- | | | | |
|---|-------------------------------------|-------------------------------|---------------------------|
| 1 – Stikalo za vklop/izklop; | 2,3- Prejšnji/Naslednji; | 4 – Upravljanje z glasnostjo; | 5- Vhod za kitaro; |
| 6- Tipka meni, pritisnite jo nekajkrat za prehod na nastavitve soprana/basa/glasnosti mikrofona/odmeva mikrofona/soprana mikrofona/basa mikrofona/glasnosti kitare; | 7 – Svetloba disco; | 8 – Predvajanje/pavza; | 9 – Tipka za izbiro vira; |
| 10 – Vhodna vtičnica na žičnem mikrofону; | 11 – Vtičnica USB; | 12- Vtičnica microSD; | |
| 13- Izhod AUX IN; | 14- Ročaj; | 15- Utišanje; | 16- Visokotonski zvočnik; |
| 17- Srednje-nizkotonski zvočnik; | 18- Vtičnica za napajalni kabel AC; | 19- Prikazovalnik; | 20- Port Bass-Reflex; |



Daljinski upravljalnik

- 1 – Tipka napajanja;
- 2 – Tipka za vklop/izklop osvetlitve disco;
- 3 – Številske tipke;
- 4 – Tipka za vklop/izklop funkcije naključnega predvajanja
- 5,7 – Tipke nastavitve Echo +/-;
- 6,20 – Tipke za nastavev tglasnosti +/-;
- 8, 18 – Prejšnji in naslednji, tipka kanala +/-;
- 9 – Tipka ponovitveni funkcijski gumb (ponavljanje posameznega posnetka/ponovitev celote/naključno predvajanje);
- 10 – Equalizer EQ (flat/POP/Rock/Jazz/Classic)
- 11, 12 – Tipke za nastavitve visokih tonov +/-;
- 13 – Tipka za utišanje;
- 14 – Tipke za nastavitve glasnosti mikrofona +/-;
- 15 – Tipka za prednost mikrofona;
- 16,22 – Tipke za nastavitve nizkih tonov +/-;
- 17 – Predvajanje/pavza;
- 19, 21 – Tipke za nastavitve poziciju glasnosti vhoda za kitaro GT +/-;
- 23 – Tipka +10;

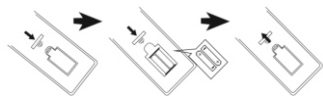
Prikljop napajanja: Prosimo, preverite, ali vir napajanja ustreza specifikaciji nazivnega napajanja na zadnjem panelu naprave. Če vir napajanja ni ustrezen, se je treba obrniti na prodajalca oz. servisni center. Vtaknite ženski vtič napajalnega kabla v vtičnico v napravi, nato pa priključite vtič napajalnega kabla na stensko vtičnico, da bi pridobili napajanje.

Polnjenje baterije: vgrajena baterija omogoča predvajanje glasbe brez priključenosti na električno omrežje. Med polnjenjem baterije lučka na zadnji strani, dioda LED polnjenja, ki se nahaja na zgornjem panelu, sveti rdeče. Lučka zasveti zeleno, ko je baterija popolnoma polna. Baterija se bo še naprej polnila tudi po izklopu naprave, vendar ob pogoju, da je na voljo vir napajanja z izmeničnim tokom. Čas polnjenja baterije je 4 ur, čas predvajanja z enim polnjenjem pa 3~5 ure, odvisno od glasnosti predvajanja. Če se akumulator izprazni, se naprava samodejno izklopi. Za nadaljevanje predvajanja je treba akumulator napolniti.

Pozor: V stanju pripravljenosti (kratki pritisek na tipko za napajanje na zgornjem panelu ali daljinskem upravljalniku) se samodejno polnjenje naprave zaradi zahtev eko projekta začne po 15 minutah. Za nujno polnjenje pritisnite in pridržite tipko za napajanje (izklopite napravo). Napajanje naprave je lahko med predvajanjem glasbe neprekinjeno.

Uporaba baterije:

1. Ko je baterija prazna ali skoraj prazna, jo je treba čim prej napolniti. Če se dolgo ne polni, se zmanjša njena notranja zmogljivost, kar onemogoči popolno napolnitev ali skrajša čas uporabe z enim polnjenjem.
2. Če je baterijo treba zamenjati, prosimo, da se obrnete na lokalni servis Blaupunkt.
3. Baterije ne polnite dlje kot 24 ur. Prekomerne izpraznitve ter prekomerno polnjenje bateriji skrajšujejo življenjsko dobo. Mnogokratno polnjenje in praznjenje vplivata na življenjsko dobo baterije in na čas uporabe z enim polnjenjem. Ni možno zagotoviti vedno enakega časa predvajanja z enim polnjenjem. Prav tako dejanska življenjska doba baterije ne more služiti kot podlaga za garancijske zahtevke.



Namestitev baterije v upravljalniku za daljinsko upravljanje

Odpreti je treba pokrov komore za baterije in namestiti dve bateriji AAA (v setu). Prepričati se je treba, da sta bateriji nameščeni skladno z oznakami polarnosti, ki se nahajajo v komori. Nato je treba zapreti pokrov baterije.

Opombe

- a) Najboljša delovna razdalja upravljalnika je 5 metrov, če ni nobenih ovir. Med uporabo je treba senzor upravljalnika usmeriti v sprednji del naprave.
- b) S porabo baterije se bo občutljivost upravljalnika postopoma manjšala. Porabljene baterije je treba zamenjati z novimi.
- c) Odstranite akumulator, če naprave dlje časa ne uporabljate.
- d) Baterije je treba odstranjevati na način, ki je varen za okolje. Seznaniti se je treba z zahtevami lokalne uprave.

Splošna uporaba

- 1. Vklop/izklop:** Daljši pritisk (2 sekundi) na tipko za napajanje na zgornjem panelu omogoča vklop/izklop naprave. S kratkim pritiskom na tipko za napajanje na zgornjem panelu ali s daljinskim upravljalnikom napravo preklopite v stanje pripravljenosti. Priporočamo, da napravo popolnoma izklopite, če je ne boste več časa uporabljali.
- 2. Izбира vira predvajanja:** Pritisnite tipko za izbiro vira na zgornjem panelu oz. ali pa tipko za način predvajanja na daljinskem upravljalniku za preklon med viri predvajanja FM / Bluetooth / Line in / USB / microSD.
- 3. Nastavitev glasnosti:** Obrnite gumb za upravljanje z glasnostjo na zgornjem panelu oz. pritisnite tipko VOL +/- na upravljalniku, da bi povečali oz. zmanjšali raven glasnosti.
- 4. Nastavitev visokih in nizkih tonov:** najprej kratko pritisnite tipko meni na zgornjem panelu, zasučite zasučni gumb za nastavitev glasnosti, da nastavite raven visokih tonov, na zaslonu se prikaže ustrezna številka, označujoča raven visokih tonov. Ponovno pritisnite gumb za nastavitev visokih in nizkih tonov za prehod na nastavev nizkih tonov. Enake funkcije imajo tipke za nastavitve visokih tonov +/- na daljinskem upravljalniku.
- 5. Utišanje:** Pritisk na tipko MUTE na zgornjem panelu oz na upravljalniku povzroča utišanje zvoka. Ponovni pritisk na to tipko vzpostavi prej določeno raven zvoka.
- 6. Korektor EQ:** Nekajkrat pritisnite EQ na daljinskem upravljalniku za preklon med načini korektorja: FLAT/POP/ROCK/JAZZ/CLASSIC.
- 7. Predvajanje/ustavitev:** Pritisnite tipko za predvajanje/pavzo, da bi ustavili oz. vzpostavili predvajanje glasbe v načinu Bluetooth/USB/microSD.
- 8. Ponavljanje in naključno predvajanje:** Pritisnjate gumb/tipko ponavljanja za preklapljanje med predvajanjem posnetkov na način ponovitve enega posnetka / ponovitve celote / naključnega predvajanja;
- 9. Osvetlitev:** Nekolikokrat pritisnite tipko za osvetlitev, da bi izbirali med osmimi načini osvetlitve oz. da bi izklopili osvetlitev.
- 10. Številski gumbi in gumb +10:** s številskimi gumbi izberite konkretne številke skladb v načinu predvajanja USB/microSD; ali pa preklopite številko prednastavljene radijske postaje v načinu FM. Pritisnite na +10 za hitri izbor skladbe za 10 številki višje.
- 11. Prejšnja/naslednja:** na kratko pritisnite izbrani gumb za prehod na prejšnjo ali naslednjo skladbo v načinu predvajanja Bluetooth/USB/microSD.
- 12. Uporaba tipke meni:** To je večnamenska tipka, pritisnite jo večkrat za preklapljanje med nastavitvami soprana/basa/glasnosti mikrofona/odmeva/visokih tonov mikrofona/nizkih tonov mikrofona/glasnosti kitare; nato takoj obrnite gumb za glasnost, da prilagodite nivo; Za izhod iz nastavitve je treba počakati nekaj trenutkov. (Podatki na zaslonu: TE= nivo soprana, BS= nivo basa, CU= glasnost mikrofona, EC= odmev, T= visoki toni mikrofona, B= nizki toni mikrofona, GE= kitara)

Uporaba radia FM

Pred začetkom poslušanja radia FM je treba napravo premakniti v bližino okna, da bi se s tem zagotovilo prejemanje boljšega signala. Naprava ima vgrajeno notranjo anteno za sprejem FM.

- 1. Samodejno skeniranje in programiranje postaj (samodejni način):** Na kratko pritisnite gumb/tipko za predvajanje/premor na zgornji plošči ali na daljinskem upravljalniku za samodejno skeniranje in shranjevanje razpoložljivih radijskih postaj. Po končanem skeniranju naprava samodejno začne predvajanje prve programirane postaje. (Maksimalno število programiranih postaj): 40.
- 2. Izбира radijskih postaj:** V načinu radia pritisnite tipko naslednji/prejšnji na zgornjem panelu oz. na upravljalniku, da bi izbrali in začeli poslušanje prejšnje ali naslednje programirane postaje. Prednastavljeno postajo lahko tudi hitro izberete z vnosom njene številke z uporabo številskih tipk na daljinskem upravljalniku.
- 3. Ročno uglasjevanje:** pritisnite in pridržite tipko Prejšnji/Naslednji oz. FF +/- za 2 sekundi, da bi skenirali razpoložljivo postajo gor ali dol po valu in samodejno predvajali postajo. s številskimi gumbi na daljinskem upravljalniku vnesite številko frekvence radijske postaje in počakajte nekaj časa, da naprava izbere in začne predvajati želeno radijsko postajo.

Predvajanje USB/microSD

Naprava je opremljena s funkcijo predvajanja USB/microSD, s katero lahko dekodira in predvaja glasbo iz prenosnih spominov USB/microSD. Pred začetkom predvajanja kopirajte glasbo MP3/WMA v prenosni spomin. Namestite spomin v napravo, ker je način predvajanja USB/microSD na voljo le takrat, ko je spomin pravilno prikljopen. Nato naprava samodejno prepozna in začne predvajati datoteke MP3/WMA.

Izбира posnetka: Kratko pritisnite tipko prejšnji /naslednji, da bi izbrali prejšnji ali naslednji posnetek. Pritisnite in pridržite tipko za premikanje, da bi posnetek premikali naprej, sprostite tipko, če želite nadaljevati predvajanje posnetka.

V načinu USB/microSD so na voljo naslednje funkcije: predvajanje avza, utišanje, ponavljanje, korektor zvoka, nastavitev visokih/nizkih tonov/funkcija +10 idr. Podrobnosti si lahko preberete v točki »Splošna uporaba«.

Opombe

- a) Priklon spomina USB s pomočjo USB-podaljškov ni priporočen, ker lahko to negativno vpliva na kakovost predvajanja in povzroča hrup oz. motnje zvoka, če se med pošiljanjem datotek izgubijo kakšne zvočne datoteke.
- b) Ni mogoče zagotoviti dekodiranja in predvajanja vseh datotek v obliki MP3/WMA.
- c) Naprava podpira spomine z maksimalnim volumnom do 32 GB.
- d) Samodejno predvajanje nekaterih spominov USB/microSD zaradi njihovega tipa ali proizvajalca lahko traja več časa; to ni okvara.

Delovanje Bluetooth

Ta izdelek je opremljen s funkcijo Bluetooth, ki omogoči brezžično predvajanje glasbe iz druge naprave Bluetooth (kot je pametni telefon, dlančnik idr.).

1. Nekolikokrat pritisnite tipko za izbiro vira , da bi šli na način Bluetooth, oznaka za Bluetooth bo utripala na zaslonu, kar pomeni, da je naprava pripravljena za povezovanje.
2. Vklonite funkcijo Bluetooth na zunanji napravi in poiščite razpoložljive naprave (seznanite se z navodili za uporabo zunanje naprave), nato preverite seznam razpoložljivih naprav Bluetooth. Označite »BP PB06« za povezovanje, oznaka za Bluetooth bo trajno svetila na zaslonu po uspešno končanem povezovanju.
3. Izberite in začnite predvajanje glasbe na zunanji napravi Bluetooth. Zvočnik te naprave samodejno začne predvajati zvok.
4. Pritisnite tipko nazaj/naprej, da bi lahko med predvajanjem izbrali prejšnji in naslednji posnetek.
5. V načinu Bluetooth lahko uporabljate funkcije predvajanja/pavze, utišanja, korekcije zvoka, korekcije visokih in nizkih tonov. Podrobnosti si lahko preberete v točki »Splošna uporaba«.

Opombe

- a) Ni mogoče zagotoviti pravilne povezave z vsemi napravami Bluetooth zaradi različnih projektorjev in znamk.
- b) Delovna razdalja Bluetooth je 10 metrov, če ni nobenih ovir.
- c) Naprava je lahko povezana in lahko deluje z eno napravo Bluetooth v istem času.
- d) Ob prihajajoči povezavi med predvajanjem Bluetooth se glasba za trenutke ustavi in nato vzpostavi po končanem telefonskem pogovoru.
- e) Z dolгим pritiskom na gumb za predvajanje/premor na zgornji plošč, da bi zaprli trenutno povezavo z napravo Bluetooth in začeli povezovanje z drugo napravo.

Funkcija brezžičnega sterea Bluetooth TWS (True Wireless Stereo): Zvočnik ima funkcijo brezžičnega sterea TWS tekom predvajanja Bluetooth. Funkcija je na voljo za dva zvočnika, preklopljena v način Bluetooth. Pri prvi aktivaciji funkcije stereo je treba določiti, kateri izmed dveh zvočnikov bo glavna enota. Nato je treba dolgo držati pritisnjen (3 sekunde) gumb "mode" na zgornji upravljalski plošči za seznanitev glavnega zvočnika z drugim razpoložljivim zvočnikom. Po uspešni seznanitvi TWS zvočnik odda kratek zvok. Zaslon pomožnega zvočnika bo neprekinjeno prikazoval sporočilo "SLAU", na zaslonu glavnega zvočnika pa bo utripalo sporočilo "BLUE". Nato lahko začnete s seznanjanjem in uporabo Bluetooth-a, in zvok se bo oddajal iz obeh zvočnikov hkrati. Če na glavnem zvočniku spremenite način predvajanja na FM/microSD/USB ali AUX, bo zvok še naprej prihajal iz obeh seznanjenih zvočnikov. Ko prvič seznanite TWS, je možno, da bosta zvočnika oddajala kratke zvoke "sa sa sa ...", kar ni napaka.

V načinu predvajanja TWS bodo vse nastavitve na voljo prek glavnega zvočnika. Nekatere funkcije na pomožnem zvočniku niso na voljo, vedite, da to ni napaka. Če je glavni zvočnik izklopljen, se predvajanje TWS ustavi. V primeru izklopa/vklopa stanja pripravljenosti, izklopa/vklopa zvočnika, za 3 sekunde pritisnite gumb za način predvajanja, da zvočnike ponovno seznanite v načinu TWS. Še en daljši pritisk gumba za način predvajanja bo odklopil zvočnika, seznanjena v načinu TWS.

Delovanje v načinu AUX IN

Za vzpostavitev povezave in predvajanje glasbe iz drugega predvajalnika ali naprave je treba ukrepati po spodnjih navodilih. S pomočjo zvočnega kabla (v setu) je treba povezati vtičnico AUX IN na zgornjem panelu naprave z inlinjskim izhodom oz. vtičnico za slušalke v predvajalniku, kot je na primer MP 3-, CD-, DVD-predvajalnik oz. mikser idr. Nato je treba izbrati in začeti predvajanje na zunanem predvajalniku. Ta naprava samodejno začne predvajati zvok.

V načinu AUX IN ima nadzor nad predvajanjem zunanji predvajalnik. Ta naprava lahko upravlja za glasnostjo, utiša zvok ter določa raven basov in sopranov.

Karaoke

Odpriete pokrov komore za bateriji brezžičnega mikrofona (v setu), v komori namestite 2 suhi bateriji velikosti AA (nista priloženi) skladno z oznakami polarnosti, nato zaprite pokrov komore za bateriji. Stikalo postavite v položaj, ki pomeni vklop mikrofona. Čez nekaj sekund se zvočnik samodejno poveže z brezžičnim mikrofonom. Določite ustrezno raven izhodne glasnosti mikrofona na zgornjem panelu, nato začnite peti. Naprava je tudi opremljena z vhodno vtičnico za žični mikrofoni. Namestite vtič žičnega mikrofona (ni priložen setu) v vtičnici 6,5 mm, nato vklopite mikrofoni in pojte.

Porady:

- a) Nastavljanje glasnosti mikrofona/odmeva/visokih tonov mikrofona/nizkih tonov mikrofona: večkrat pritisnite tipko meni za preklapljanje med nastavitvami soprana/basa/glasnosti mikrofona/odmeva/visokih tonov mikrofona/nizkih tonov mikrofona/glasnosti kitare; nato takoj obrnite gumb za glasnost, da prilagodite nivo; Za izhod iz nastavitve je treba počakati nekaj trenutkov. (Podatki na zaslonu: TE= nivo soprana, BS= nivo basa, CU= glasnost mikrofona, EC= odmev, T= visoki toni mikrofona, B= nizki toni mikrofona, GE= kitara).
- b) Zvočnik lahko oddaja več hrupa oz. kvari zvok, ko so raven glasnosti, nastavitve basov in sopranov oz. funkcija odmeva neustrezno nastavitvene. To ni okvara. Treba je zmanjšati raven teh nastavitvev in nato vklopiti oz. izklopiti mikrofoni.
- c) Lahko uporabljate funkcijo karaoke in poslušate glasbo v istem času. Če potrebujete povečano glasnost karaoke in zmanjšano glasnost glasbe v ozadju, lahko s pomočjo ustreznih gumbov posamezno določite glasnost mikrofona in raven glasnosti.
- d) Mikrofoni je treba izklopiti, preden se ga odloži zraven zvočnika; v nasprotnem primeru bo takšno ravnanje povzročilo velik hrup.
- e) Na ohišju brezžičnega mikrofona se nahaja stikalo za utišanje, s katerim se lahko utiša zvok mikrofona.
- f) Ta model ima funkcijo prednosti mikrofona. Če aktivirate to funkcijo z daljinskim upravljalnikom ali z gumbi, se bo najprej predvajal zvok mikrofona iz zvočnika (glasba v ozadju bo utišana); predvajanje glasbe v ozadju se bo samodejno nadaljevalo po prenehanju uporabe mikrofona.
- g) Možno je hkrati uporabljati tako brezžični kot žični mikrofoni.

Vhod za kitaro: Na napravo je možno priključiti glasbilo, kot je kitara, prek 6,3-milimetrskega vhoda za kitaro na zgornji plošči. V ta namen uporabite dodatni kabel (ni priložen). Večkrat kratko pritisnite tipko meni na zgornjem panelu za ponastavitev glasnosti kitare (prikazani podatki GE se nanašajo na kitaro); nato takoj obrnite gumb za glasnost, da prilagodite nivo; Za izhod iz nastavitve je treba počakati nekaj trenutkov. Zvok kitare se bo predvajal prek zvočnika. Lahko tudi prilagajate glasnost kitare - s pritiskanjem na gumb GT+/GT- na daljinskem upravljalniku.

Reševanje težav

1. Ni mogoče izklopiti zvočnika.

a) Preverite, ali je napajanje pravilno priključeno.

2. Ni zvoka.

a) Prilagoditi je treba gumb za glasnost in preveriti vir predvajanja.

b) Če težava ni odpravljena, se je treba obrniti na servisni center.

3. Pokvarjen zvok.

a) Prilagoditi in predvajati je treba glasbo z manjšo glasnostjo.

b) Preveriti nastavitve visokih in nizkih tonov.

4. Hrup med poslušanjem FM-postaj.

a) Premakniti napravo na drugo mesto in s tem zagotoviti zanesljivejše prejetje postaj.

b) Ponovno vklopiti skeniranje oz. spremeniti postajo.

Specifikacija

Vir napajanja: AC 110–240 V, 50/60 Hz.

Napajanje z baterijo: 7,4 V/5000mAh

FM-frekvenca: 87,5–108,0 MHz.

Vmesnik USB: 5 V, 500 mA, različica 2.0, podpiran masovni pomnilnik do 32 GB.

microSD-kartica: podpirani nosilci do 32 GB.

USB-/microSD-kartice podpirajo glasbene oblike: MP3, WMA (predvajanje vseh tovrstnih datotek ni zagamčeno)

Bluetooth: V5.0, delovna razdalja do 10 m

Izhodna moč RMS: 2 x 20 W.

Mikrofon: vhod 1 x 6,5 mm, priključ žičnega mikrofona:

2 x brezžični mikrofoni (frekvenca: 208,8 MHz, 215 MHz, vir napajanja: 2 x 1,5 V, AA)

1 x vhod za kitaro.

Poraba moči: 40 W

Poraba moči v stanju pripravljenosti: < 0,5 W.

(Ta specifikacija se lahko spreminja brez predhodne najave.)

Svarīgas drošības instrukcijas



Brīdinājums:

Lai samazinātu elektrošoka risku, nedrīkst demontēt ierīces vāku un tās aizmugurējo daļu. Ierīces iekšā nav elementu, ko lietotājs var patstāvīgi remontēt. Ierīces tehnisko apkopi un remontu var veikt tikai kvalificēti servisa centra darbinieki.

Grafisko simbolu paskaidrojums:



Zibens simbols ar bultiņu galā vienādmalu trijstūrī brīdina lietotāju par neizolētu "bīstamu spriegumu" ierīces korpusa iekšā, kas var sasniegt līmeni, radot elektrošoka risku.



Izsaukuma zīme vienādmalu trijstūrī brīdina lietotāju, ka šajā brīdī tiek sniegta svarīga informācija par ierīces lietošanu un tehnisko apkopi, kas ietverta ierīcei pievienotajā dokumentācijā.

Izlasiet šo instrukciju pirms ierīces lietošanas sākšanas, lai iepazītos ar ierīces funkcijām un izmantotu tās atbilstoši paredzētajam mērķim. Tas nodrošinās ilglaicīgu un nevainojamu ierīces darbību un patikamu lietošanu.

Svarīga informācija

- Saglabājiet lietošanas instrukciju un informāciju par drošību turpmākai izmantošanai.
- Nepieļaujiet šķidruma pilēšanu vai izliešanu uz ierīces. Ierīci nedrīkst arī lietot mitrās vietās, piemēram, vannas istabā.
- Šo ierīci nedrīkst uzstādīt šādās vietās:
- vietās, kas pakļautas tiešai saules staru iedarbībai, vai radiatoru tuvumā;
- novietojot to uz cita stereopriekuma, kas rada siltumu;
- bloķējot ventilāciju vai putekļainā vietā;
- vietās, kas pakļautas nepārtrauktām vibrācijām;
- vietās ar augstu mitruma līmeni.
- Ierīci nedrīkst uzstādīt sveču vai atklātas uguns tuvumā.
- Ierīci var lietot tikai šajā instrukcijā aprakstītajā veidā.
- Pirms ierīces pirmās ieslēgšanas reizes pārliecinieties, ka barošanas bloks ir pareizi pievienots.
- Pievienojiet USB atmiņu tiešā veidā vai izmantojot 25 cm garu USB pagarinātāju.

Drošības apsvērumu nedrīkst demontēt korpusus un iekļūt ierīces iekšpusē. Ierīces remonts jāveic kvalificētam servisa centra personālam.

Neizjauciet ierīci un neatveriet tās korpusu, jo tās iekšā nav nekādu elementu, ko lietotājs var remontēt patstāvīgi. Ierīces tehnisko apkopi un remontu var veikt tikai kvalificēti servisa centra darbinieki.

DROŠĪBAS INSTRUKCIJAS

1. Izlasiet instrukcijas — pirms ierīces lietošanas sākšanas izlasiet visu lietošanas instrukciju un informāciju par drošību.

2. Saglabājiet instrukcijas — saglabājiet lietošanas instrukcijas turpmākai izmantošanai.

3. Ievērojiet brīdinājumus — ievērojiet visus brīdinājumus, kas sniegti uz ierīces, un lietošanas instrukcijas.

4. Ievērojiet instrukciju — ievērojiet lietošanas instrukciju un norādījumus lietotājam.

5. Uzstādīšana — uzstādiet ierīci atbilstoši ražotāja instrukcijām.

6. Barošanas avoti — ierīcei ir jābūt barotai tikai ar avotiem ar parametriem, kas norādīti marķējumā uz barošanas kabeļa. Ja lietotājs nav pārliecināts, kāda veida barošanas avots ir viņa mājās, viņam ir jāsaazinās ar ierīces pārdevēju vai vietējo elektroenerģijas piegādātāju.

7. Barošanas avota izemēšana vai polarizācija — ierīcei nav jābūt izemētai. Pārliecinieties, ka kontaktdakša ir pilnībā ievietota elektrotīkla kontaktligzdā vai pagarinātājā, lai nepieļautu kontakttapu vai kontaktu atklāšanu. Dažas ierīces versijas var būt aprīkotas ar polarizētu mainstrāvas kontaktdakšu (ar vienu plātaku kontakttapu). Šo kontaktdakšu var pievienot elektrotīkla kontaktligzdai tikai vienā veidā. Tā ir aizsardzības funkcija. Ja kontaktdakšu nav iespējams ievietot kontaktligzdā, mēģiniet to apgriezti otrādi. Ja kontaktdakša joprojām neatbilst kontaktligzdai, uzdodiet tās nomainīt elektrīkmi. Nenovietojiet aizsargus no polarizētās kontaktdakšas. Izmantojot pagarinātāju vai citu barošanas vadu, kas neietilpst ierīces komplektā, tiem ir jābūt atbilstošām kontaktdakšām un drošības sertifikātam, kas nepieciešams noteiktā valstī.

8. Barošanas kabeļa aizsargs — novietojiet barošanas kabeļu tā, lai nebūtu iespējams staigāt pa tiem, spasiest vai sagriezt tos ar citiem priekšmetiem. Pievērsiet īpašu uzmanību kontaktdakšām, elektrotīkla kontaktligzdām un vietām, kur kabeļi tiek izvadīti no ierīces.

9. Pārslodze — nepārslogojiet sienas kontakttīklzidas, pagarinātājus un elektriskos sadalītājus, jo tas var izraisīt ugunsgrēku vai elektrošoku.

10. Ventilācija — ierīcei jābūt atbilstoši vēdinātai. Ierīci nedrīkst uzstādīt uz gultas, dīvāna vai līdzīgām virsmām. Ierīci nedrīkst aizsegēt ar galdautiem, salvetēm, avotiem utt.

11. Siltums — neuzstādiet ierīci siltuma avotu, piemēram, radiatoru, sildītāju, krāšņu vai citu ierīču (astarē pastiprinātāju), kas rada siltumu, tuvumā. Neuzstādiet aizdegta sveces un citus atklātas uguns avotus uz ierīces.

12. Ūdens un mitrums — lai samazinātu ugunsgrēka vai elektrošoka risku, nepakļaujiet ierīci tiešai lietus, ūdens un mitruma iedarbībai, piemēram, pirti vai vannas istabā. Nelietojiet šo ierīci ūdens tuvumā, piemēram, vannas, izlietnes, virtuves izlietnes vai veļas tovera tuvumā, mitrā pagrabā vai peldbaseina tuvumā (vai līdzīgās vietās).

13. Priekšmeti un šķidrums ierīcē — neievietojiet nekādus priekšmetus cauri ierīces atverēm, jo tie var saskarties ar vietām zem bīstamā sprieguma un detaļām, kas var izraisīt ugunsgrēku vai elektrošoku. Nekādā gadījumā nedrīkst izliet nekādus šķidrumus uz ierīces virsmas. Uz ierīces augšpusē nedrīkst novietot priekšmetus, kas satur šķidrumus.

14. Tīrīšana — pirms ierices tīrīšanas vienmēr atvienojiet to no elektrotīkla kontaktligzdas. Putekļus ap skaļruni var ņemt ar sausu lupatiņu. Ja tīrīšanai ir jāizmanto aerosols, nevērsiet izsmidzināmo strūklu tieši pret ierīci, bet gan uz lupatiņu. Pievērsiet uzmanību tam, lai nesabojātu piedziņas vienības.

15. Papildaprīkojums — nedrīkst lietot piederumus, ko ražotājs nav apstiprinājis, jo tie var radīt risku.

16. Piederumi — ierīci nedrīkst uzstādīt uz nestabiliem ratiņiem, statīva, balsta vai galdā. Ierīce var apgāzties, sabojāties un radīt nopietnas traumas bērnam vai pieaugušajam. Izmantojiet tikai ratiņus, statīvus, balstus un galdu, ko norādījis ražotājs vai kas tiek pārdoti kopā ar ierīci. Ierices salikšana ir jāveic atbilstoši ražotāja instrukcijām, izmantojot ražotāja ieteikto montāžas komplektu.

17. Ierices pārvietošana — pārvietojiet ierīci, kas novietota uz ratiņiem, ļoti piesardzīgi. Pēkšņa apstāšanās, pārmērīgs spēks vai nelīdzena virsma var izraisīt ratiņu ar ierices apgāšanos.

18. Ierices nelietošanas laiks — atvienojiet barošanas kabeli no elektrotīkla kontaktligzdas pērkona negaisa laikā vai ja ierīce netiks lietota ilgāku laiku.

19. Tehniskā apkope un remonts — nemēģiniet patstāvīgi veikt ierices apskati. Vāka atvēršana var izraisīt saskari ar bīstamu spriegumu un citā veidā apdraudēt lietotāju. Ierices tehnisko apkopi un remontu var veikt tikai kvalificēti servisa centra darbinieki.

20. Ja ierīce netiek lietota, atvienojiet tās kontaktkabeļus no elektrotīkla kontaktligzdas. Ja ierīce ir pievienota barošanas avotam, tā ir gaidstāves režīmā un nav pilnīgi izslēgta.

21. Rezerves daļas — nomainiet ierices daļas pret jaunām, pārliecinieties, ka servisa centra darbinieks ir izmantojis ražotāja ieteiktās rezerves daļas vai ka tās ir identiskas oriģinālajām daļām. Daļas nomainīšana, izmantojot neapstiprinātas daļas, var izraisīt ugunsgrēku, elektrošoku vai citus riskus.

22. Galvenie drošinātāji — lai nodrošinātu nepārtrauktu ierices aizsardzību pret uguni, izmantojiet drošinātājus ar atbilstošu tipu un parametriem. Drošinātāju parametri noteiktā sprieguma diapazonā ir norādīti uz ierices.

23. Nepaaugstiniet skaļumu, klausoties dziesmas fragmentu ar zemu skaļumu vai ja nav ieejas audio signāla. Pretējā gadījumā signāla intensitātes straujā paaugstināšanās var izraisīt skaļruņa bojājumu.

24. Vienīgais veids, kā pilnībā atvienot ierīci no barošanas avota, ir atvienot barošanas kabeli no barošanas kontaktligzdas vai ierices. Elektrotīkla kontaktligzdai vai barošanas kabeļa ieejai ierīcē ir vienmēr jābūt pieejamām ierices lietošanas laikā.

25. Ierīce ir jānovieto elektrotīkla kontaktligzdas vai pagarinātāja tuvumā, lai tie vienmēr būtu pieejami.

26. Maksimālā temperatūra ierices apkārtņē ir 35 °C.

27. Norādījumi par elektrostatiskajām izlādēm — ja ierices darbību traucē elektrostatiskās izlādes, izslēdziet ierīci un atkārtoti ieslēdziet to vai pārvietojiet ierīci citā vietā.

28. Baterija

a. Baterijas nedrīkst pakļaut pārmērīga siltuma, piemēram, saules staru, uguns u. tml. iedarbībai.

b. Utilizējot baterijas, pievērsiet uzmanību apkārtējās vides aizsardzības aspektiem.

c. Bīdīnājums par bateriju lietošanu: lai novērstu baterijas noplūdi, kas var izraisīt traumas vai ierices bojājumus:

- izvietojot bateriju, ņemiet vērā tā polaritāti (+ un -);
- nedrīkst vienlaicīgi lietot dažāda veida baterijas — vecās un jaunās, standarta un sārma baterijas utt.;
- izņemiet baterijas no ierices, kad tā netiek lietota ilgāku laiku.

Piezīme par ERP2 (ar enerģiju saistītajām iekārtām)

Ši ekodizaina ierīce atbilst Komisijas Regulas (EK) Nr. 1275/2008, ar ko īsteno Eiropas Parlamenta un Padomes Direktīva 2005/32/EK iestrādātās ekodizaina prasības attiecībā uz elektrisko, elektronisko mājaisaimniecības un biroja iekārtu elektroenerģijas patēriņu gatavības un izslēgtā režīmā, 2. posma prasībām.

Pēc 30 minūtēm bez ieejas audio signāla ierīce automātiski pāriet gaidstāves režīmā. Informāciju par normālas darbības atjaunošanu var atrast lietošanas instrukcijā.

Svarīga informācija

Šī ierīce ir aprīkota ar enerģijas taupīšanas režīma funkciju: ja 15 minūšu laikā tai netiek nosūtīts ieejas signāls, ierīce automātiski pāriet gaidstāves režīmā, lai taupītu enerģiju (ERP 2 standarts). Ņemiet vērā, ka zema skaļuma līmeņa iestāšana audio signāla avotā var tikt atzīta par stāvokli "nav audio signāla": tas var ietekmēt ierices spēju uztvert signālu no ierices un izraisīt automātisku pāreju gaidstāves režīmā. Šādā gadījumā ir jāatjauno audio signāla pārraide vai jāpaaugstina skaļuma līmenis audio signāla avotā (MP3 atskaņotājā u. tml.), lai atsāktu atskaņošanu. Ja problēma joprojām pastāv, sazinieties ar vietējo servisa centru.

BRĪDINĀJUMS Ierīci nedrīkst lietot personas (tostarp bērni) ar samazinātām fiziskām, maņu vai garīgām spējām un personas ar nepietiekamām zināšanām un pieredzi, ja vien viņas neatrodas personas, kas atbilst par viņu drošību, uzraudzību un nav apmācītas, kā droši lietot ierīci. Pieaugušo klātbūtnē ir nepieciešama, ja ierīci lieto bērni, lai nodrošinātu drošu ierices lietošanu.

1. Neatstājiet ierīci darbības laikā bez uzraudzības! Izslēdziet ierīci, ja tā netiek lietota, pat īsu brīdi.

2. Ierīci nedrīkst apkalpot, izmantojot ārējo taimeru vai atsevišķu sistēmu ar tālvadību.

3. Lai izvairītos no riska, kas rodas barošanas kabeļa bojājuma gadījumā, tās nomainīja ir jāveic ražotājam, pilnvarotam servisa centram vai citai personai ar atbilstošu kvalifikāciju.

4. Pirms ierices lietošanas sākšanas pārliecinieties, ka tās spriegums atbilst spriegumam vietējā barošanas tīklā.

5. Neaizsedziet ierices ventilācijas atveres, piemēram, ar avīzēm, galdautu, aizkariem u. tml. Pārliecinieties, ka vīrs ierices ir vismaz 20 cm brīvas vietas un vismaz 5 cm katrā tās pusē.

6. Nepieļaujiet šķidruma pilēšanu vai izliešanu uz ierices un nenovietojiet uz tās priekšmetus, kas piepildīti ar šķidrumiem, piemēram, vāzes.

7. Lai izvairītos no ugunsgrēka vai elektrošoka, aizsargājiet ierīci no karstām vietām, lietus, mitruma un putekļu iedarbības.

8. Novietojiet ierīci nekādā ūdens avotā, piemēram, krānū, vannu, veļas mazgājamo mašīnu vai peldbaseinu tuvumā.

9. Uzstādiet ierīci uz līdzena un stabilas pamatnes.

9. Nepakļaujiet ierīci spēcīgam magnētiskā lauka iedarbībai.

10. Nenovietojiet ierīci tieši uz pastiprinātāja vai resivera.
11. Nenovietojiet ierīci mitrā vietā, jo mitrums negatīvi ietekmē elektriskās detaļas.
12. Pēc ierīces pārvietošanas no aukstas siltā vietā vai mitrā vietā mitrums var kondensēties uz atskaņotāja lēcas. Šādā gadījumā ierīce nedarbosies pareizi. Atstājiet ierīci ieslēgtu uz aptuveni vienu stundu, lai mitrums iztvaikotu.
13. Ierīci nedrīkst tīrīt ar ķīmiskiem šķīdinātājiem, jo tie var sabojāt korpusa lakas pārklājumu. Noslaukiet ierīci ar tīru, sausu vai nedaudz samitrinātu lupatīti.
14. Izvelkot kontaktdakšu no sienas kontaktligzdas, vienmēr velciet aiz kontaktdakšas, nevis aiz barošanas kabeļa.
15. Ja ieslēgtā ierīce tiek lietota ieslēgta televizora tuvumā, tas var radīt attēla traucējumus liniju uz ekrāna veidā. Tas ir atkarīgs no TV pārraides viļņu jomas. Tas nenozīmē, ka ierīce vai televizors darbojas nepareizi. Ja ir redzamas šādas līnijas, attāliniet ierīci no televizora.
16. Elektrotīkla kontaktdakša ir paredzēta atvienošanai no barošanas sprieguma, un tai ir vienmēr jābūt pieejamai.
17. Lai izvairītos no iespējamās dzirdes zaudēšanas, neklausieties mūziku skaļi pārāk ilgi.



PIEZĪME
Deklarācija



Ar šo uzņēmums Blaupunkt Competence Center 2N-Everpol Sp. z o.o. apliecina, ka šī ierīce atbilst Direktīvas 2014/53/ES prasībām un citiem attiecīgajiem noteikumiem. Pilnu atbilstības deklarāciju var iegūt produkta cilnē timekļa vietnē www.blaupunkt.com.

Reģistrācijas apliecības īpašnieks: 2N-Everpol Sp. z o.o., Puławska 403A, 02-801 Warszawa, Polija, tālrunis: +48 22 688 08 00, e-pasts: info@everpol.pl



Produkts ir izgatavots no augstas kvalitātes materiāliem un sastāvdaļām, ko var nodot otrreizējai pārstrādei un izmantot atkārtoti.



Ja uz jūsu ierīces ir pārsvītrotas atkritumu tvērtnes simbols, tas nozīmē, ka uz produktu attiecas Eiropas Direktīvas 2012/19/ES noteikumi. Pamatojoties uz to, lūdzu, ievērojiet vietējos noteikumus un iepazīstieties ar prasībām, kas attiecas uz vietējo elektrisko un elektronisko atkritumu savākšanas sistēmu, un attiecībā uz šo izstrādājumu ievērojiet tās.

NEIZMETIET ŠO PRODUKTU KOPĀ SADZĪVES ATKRITUMIEM!

ŠIS PRODUKTS SATUR BĪSTAMAS VIELAS, MAISĪJUMUS UN SASTĀVDAĻAS, KAS NEATĻAUTAS GADĪJUMĀ VAR BŪT IESPĒJAMĀS IETEKMES UZ DABĪGO VIDI UN CILVĒKU VESELĪBU AVOTS!

Pareiza izlietotā produkta utilizācija novērsīs negatīvu ietekmi uz vidi un cilvēku veselību.



Ierīce ir aprīkota ar baterijām, kurām piemēro Eiropas direktīvu 2006/66/EK. Baterijas nedrīkst izmest kopā ar mājaiņniecības atkritumiem. Iepazīstieties ar vietējo tiesību aktu noteikumiem par bateriju atsevišķu savākšanu, jo to pareiza utilizācija novērs iespējamās negatīvas sekas apkārtējai videi un cilvēku veselībai.

Informācija par apkārtējās vides aizsardzību

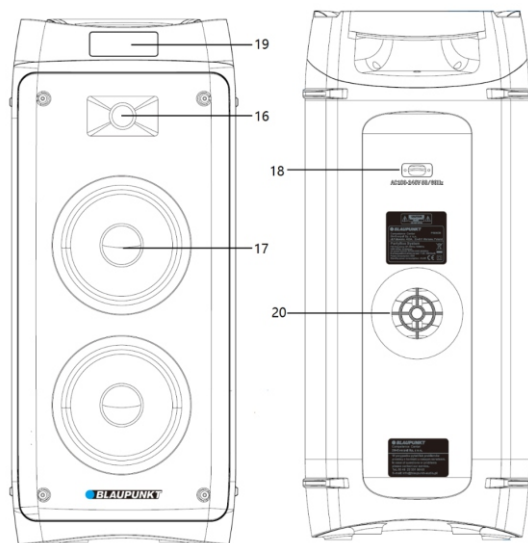
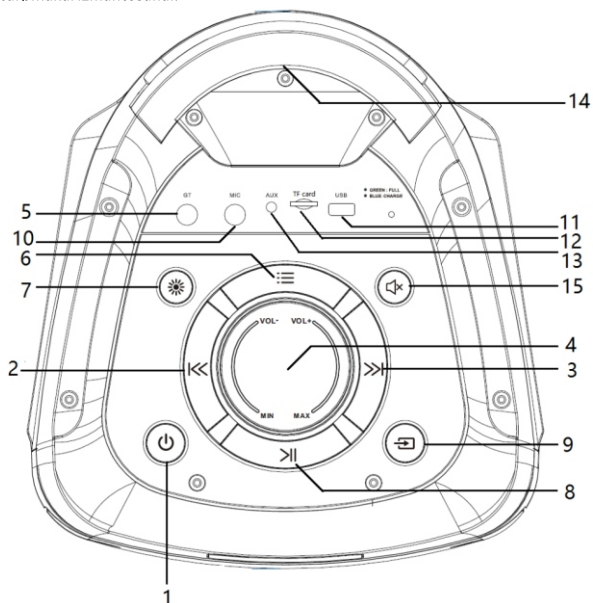
Iepakojums ietver tikai nepieciešamus elementus. Ir izdarīts viss iespējams, lai trīs materiāli, no kuriem izgatavots iepakojums, būtu viegli atdalāmi: kartons (kastīte); polistirola putas (iekšējie aizsargelementi) un polietilēns (maisiņi, aizsargplēve). Ierīce ir izgatavota no materiāliem, ko var nodot otrreizējai pārstrādei un izmantot atkārtoti pēc to demontāžas specializētā uzņēmumā. Ievērojiet vietējo tiesību aktu noteikumus par iepakojuma materiālu, nolietoto bateriju un nevajadzīgu ierīču utilizāciju. Materiālu ierakstīšanai un atkaņošanai var būt nepieciešama atļaujas iegūšana. Skatīt likumu par autortiesībām un izpildītāju/mākslinieku tiesībām.



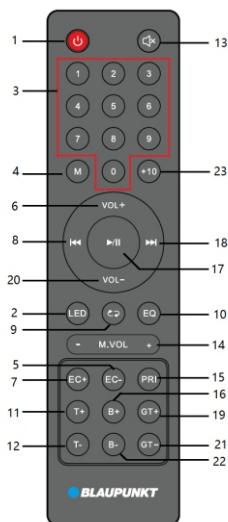
Preču zīmju un logotipa Bluetooth® īpašnieks ir uzņēmums Bluetooth SIG, Inc. USA. Šo preču zīmju un logotipu izmantošanai ir vajadzīga licence. Citas preču zīmes un tirdzniecības nosaukumi pieder to attiecīgajiem īpašniekiem.

Paldies par mūsu ierīces iegādi. Pirms ierīces lietošanas sākšanas rūpīgi izlasiet un iepazīstieties ar šo instrukciju. Saglabājiet šo lietošanas instrukciju turpmākai izmantošanai.

Vadības panelis



- | | | |
|--|--|------------------------------------|
| 1- Ieslēgšanas/izslēgšanas pārslēgs; | 2, 3 — Iepriekšējā/Nākamā; | 4- Skaļuma regulēšana; |
| 5- Ģitāras ieeja; | 6- Vairākkārt nospiediet izvēlnes pogu, lai pārslēgtos uz soprāna/basa/mikrofona skaļuma/mikrofona atbalss/mikrofona soprāna/mikrofona basa/ģitāras skaļuma iestatījumiem. | 7- LED apgaismojums; |
| 8- Atskaņošana/pauze; | 9- Avota izvēlnes poga; | 10 — Vadu mikrofona ieejas līgзда. |
| 11 — USB līgзда; | 12 — microSD līgзда; | 13 — AUX IN ieeja; |
| 14 — Rokturis; | 15 — Skaņas izslēgšana; | 16 — Augsto frekvenču skaļrunis; |
| 17 — Vidējo un zemo frekvenču skaļrunis; | 18 — Maiņstrāvas barošanas kabeļa kontaktlīgзда; | 19 — Displejs; |
| 20 — Bass-Reflex pieslēgvietā; | | |



Tālvadības pults

- 1- Barošanas poga;
- 2- LED apgaismojuma ieslēgšanas/izslēgšanas poga;
- 3- Ciparu pogas;
- 4- Atskaņošanas režīma poga;
- 5, 7 — Regulēšanas pogas Atbalss +/-;
- 6, 20 — Skājuma regulēšanas pogas +/-;
- 8, 18 — Iepriekšējā un nākamā, kanāla poga +/-;
- 9 — Atkārtošanas funkcijas poga (atsevišķas dziesmas atkārtošana/visu dziesmu atkārtošana/nejauša atskaņošana);
- 10 — izlidzinātājs EQ (flat/POP/Rock/Jazz/Classic);
- 11, 12 — Augsto frekvenču regulēšanas pogas +/-;
- 13 — Skaņas izslēgšana;
- 14 — Mikrofona skaļuma regulēšanas pogas +/-;
- 15 — Mikrofona prioritātes poga;
- 16, 22 — Zemo frekvenču regulēšanas pogas +/-;
- 17 — Atskaņošana/pauze;
- 19, 21 — Ģitāras ieejas GT skaļuma līmeņa regulēšanas pogas +/-;
- 23 — Poga "+10";

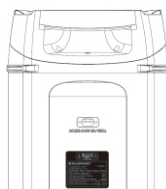
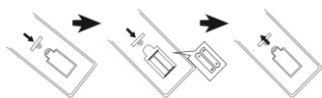
Barošanas avota pievienošana: Pārliecinieties, ka barošanas avots atbilst nominālā maiņsprieguma specifikācijai, kas norādīta uz ierīces aizmugurējā panelī. Ja neatbilst, sazinieties ar izplatītāju vai servisa centru. Ievietojiet barošanas kabeli sievīšķo spraudni ierīces ligzdā, pēc tam pievienojiet barošanas kabeli kontaktdakšas sienas kontaktligzdai, lai iegūtu barošanas avotu.

Akumulatora lādēšana: Iebūvētais akumulators ļauj atskaņot mūziku, nepievienojot ierīci barošanas avotam. Akumulatora lādēšanas laikā gaismas diodes gaismas diode uz augšējā panelī iedegas sarkanā krāsā. Pēc akumulatora pilnīgas uzlādēšanas indikators maina krāsu uz zilu. Akumulators tiek lādēts arī pēc ierīces izslēgšanas, ja ir pieejams maiņstrāvas barošanas avots. Akumulatora lādēšanas laiks ir 4 stundas, un atskaņošanas laiks ir 3~5 stundas atkarībā no atskaņošanas skaļuma līmeņa. Akumulatora izlādēšanas gadījumā ierīce automātiski izslēdzas, tas ir jāuzlādē, lai turpinātu atskaņošanu.

Piezīme: Ekodizaina prasību dēļ gatavības režīmā (īsi nospiežot barošanas pogu uz augšējā panelī vai izmantojot tālvadības pulti) pēc 15 minūtēm sākas ierīces automātiskā lādēšana. Lai veiktu steidzamu lādēšanu, nospiediet un turiet nospiestu barošanas pogu (izslēdziet ierīci). Ierīci var nepārtraukti lādēt muzikas atskaņošanas laikā.

Akumulatora ekspluatācija:

1. Ja akumulators ir izlādējies vai ir gandrīz izlādējies, tas ir jāuzlādē pēc iespējas ātrāk. Ja tas netiek lādēts ilgāku laiku, samazinās tā iekšējais tilpums, kā rezultātā to nav iespējams pilnībā uzlādēt vai tiek saīsināts ierīces darbības laiks.
2. Ja nepieciešams nomainīt akumulatoru, sazinieties ar vietējo Blaupunkt servisa centru.
3. Nelādējiet akumulatoru ilgāk par 24 stundām. Pārmērīga izlāde vai uzlāde saīsina akumulatora kalpošanas laiku. Vairākkārtēja akumulatora uzlādēšana un izlādēšana ietekmē akumulatora kalpošanas laiku un atskaņošanas laiku. Nav iespējams garantēt tādu pašu atskaņošanas laiku akumulatora lietošanas laikā. Mainīgs akumulatora kalpošanas laiks nevar būt par pamatu garantijas pretenzijām.



Tālvadības pults bateriju uzstādīšana

Atveriet bateriju nodalījuma vāku un uzstādiet tajā divas AAA baterijas (ietilpst komplektā). Pārliecinieties, ka bateriju izkārtojums atbilst pozitīvās un negatīvās polaritātes simboliem, kas uzdrukāti nodalījuma iekšā. Pēc tam aizveriet bateriju nodalījuma vāku.

Piezīmes:

- a. Ieteicamais tālvadības pults darba atbūtnis ir 5 metri bez nekādiem šķēršļiem. Tālvadības pults lietošanas laikā vērsiet tā sensoru pret ierīces priekšpusi.
- b. Izlādējoties baterijām, samazinās tālvadības pults jutība. Nomainiet nolietotās baterijas pret jaunām.
- c. Izņemiet akumulatoru, ja ierīce netiks lietota ilgāku laiku.
- d. Utilizējiet baterijas apkārtējai videi draudzīgā veidā. Šim mērķim iepazīstieties ar vietējo varas iestāžu prasībām.

Vispārējā apkalpošana

- 1. Ieslēgšana/izslēgšana:** Ilgi (divas sekundes) nospiediet barošanas pogu uz augšējā panela, lai ieslēgtu/izslēgtu ierīci. Īsi nospiediet barošanas pogu uz augšējā panela vai izmantojiet tālvadības pultī, lai pārslēgtu ierīci gatavības režīmā. Ieteicams pilnībā izslēgt ierīci, ja tā nedarbosies ilgāku laiku.
- 2. Atskaņošanas avota izvēle:** Nospiediet avota izvēles pogu uz augšējā panela vai atskaņošanas režīma pogu uz tālvadības pults, lai pārslēgtu atskaņošanas avotu starp FM/Bluetooth/Line in/USB/microSD.
- 3. Skaljuma regulēšana:** pagrieziet skaljuma regulēšanas grozāmo pogu uz augšējā panela vai nospiediet pogu "VOL +/-", lai paaugstinātu vai samazinātu skaljuma līmeni.
- 4. Augsto un zemo frekvenču regulēšana:** vispirms īsi nospiediet izvēlnes pogu uz augšējā panela, pagrieziet skaljuma regulēšanas grozāmo pogu, lai noregulētu augsto frekvenču līmeni. Uz displeja parādās atbilstošs cipars, kas informē par augsto frekvenču līmeni. Atkārtoti nospiediet augsto/zemo frekvenču regulēšanas pogu, lai pārietu uz basu regulēšanu. To pašu funkciju var iegūt, nospiežot augsto frekvenču pogu +/- uz tālvadības pults.
- 5. Skaņas izslēgšana:** nospiežot pogu "MUTE" uz augšējā panela vai tālvadības pults, skaņa tiek izslēgta. Atkārtoti nospiežot šo pogu, skaņa atgriežas pie iepriekš iestatītā līmeņa.
- 6. EQ izlīdzinātājs:** vairākas reizes nospiediet pogu "EQ" uz tālvadības pults, lai pārslēgtu izlīdzinātāja režīmu starp iestatījumiem: FLAT/POP/ROCK/JAZZ/CLASSIC.
- 7. Atskaņošana/pauze:** nospiediet atskaņošanas/pauzes pogu, lai apturētu vai atsāktu mūzikas atskaņošanu Bluetooth/USB/microSD režīmā.
- 8. Atkārtošana un nejausā atskaņošana:** Nospiediet atkārtošana pogu, lai pārslēgtu mūzikas atskaņošanu vienas dziesmas/visu dziesmu atkārtošana/nejausā atskaņošanas režīmā.
- 9. Apgaismojums:** vairākas reizes nospiediet apgaismojuma pogu, lai pārslēgtu apgaismojuma režīmu starp sešiem efektiem vai to izslēgtu.
- 10. Ciparu pogas un poga "+10":** Nospiediet ciparu pogas, lai izvēlētos noteiktu dziesmas numuru USB/microSD atskaņošanas režīmā, vai pārslēdziet ieprogramētās radiostacijas numuru FM režīmā. Nospiediet pogu "+10", lai ātri ievēlotos par 10 numuriem augstāku dziesmu.
- 11. Iepriekšējā/nākamā:** Īsi nospiediet izvēlēto pogu, lai pārslēgtu iepriekšējo vai nākamo dziesmu Bluetooth/USB/microSD atskaņošanas režīmā.
- 12. Izvēlnes pogas apkalpošana:** šī ir multifunkcionāla poga. Nospiediet to vairākas reizes, lai pārslēgtu ierīci uz soprāna/basa/mikrofona skaljuma/atbalss/mikrofona augsto frekvenču/mikrofona zemo frekvenču/ģitāras skaljuma iestatījumiem, pēc tam nekavējoties pagrieziet skaljuma grozāmo pogu, lai noregulētu atbilstošo līmeni. Pagaidiet brīdi, lai izietu no iestatījumiem. (Informācija uz displeja: TE = soprāna līmenis, BS = basa līmenis, CU = mikrofona skaljums, EC = atbalss, T = mikrofona augstās frekvences, B = mikrofona zemās frekvences, GE = ģitāra)

FM radio apkalpošana

Pirms FM radio klausīšanās pārvietojiet ierīci līga tuvumā, lai labāk uztvertu FM signālu. Ierīce ir aprīkota ar iebūvētu iekšējo antenu FM signāla uztveršanai.

- 1. Radiostaciju automātiskā skenēšana un programmēšana (automātiskais režīms):** Īsi nospiediet atskaņošanas/pauzes pogu uz augšējā panela vai tālvadības pults, lai automātiski skenētu un saglabātu pieejamās radiostacijas. Pēc skenēšanas pabeigšanas ierīce automātiski sāk atskaņot pirmo ieprogramēto radiostaciju. (Maksimālais atbalstīto ieprogramēto staciju skaits ir 40.)
- 2. Radiostaciju izvēle:** radio režīmā nospiediet pogu "Nākamā/iepriekšējā" uz augšējā panela vai tālvadības pults, lai izvēlētos un atskaņotu iepriekšējo vai nākamo ieprogramēto radiostaciju. Var arī ātri izvēlēties ieprogramēto radiostaciju, ievadot tās numuru, izmantojot ciparu pogas uz tālvadības pults.
- 3. Manuālā regulēšana:** nospiediet pogu "iepriekšējā/nākamā" un turiet to nospiestu divas sekundes, lai ieskenētu pieejamo radiostaciju augšup vai lejup pa joslu un automātiski atskaņotu staciju. Ievadiet radiostacijas frekvences numuru, izmantojot ciparu pogas uz tālvadības pults, un pagaidiet, līdz ierīce izvēlēties un atskaņos vēlamo radiostaciju.

USB/microSD atskaņošana:

Ierīce ir aprīkota ar USB/microSD atskaņošanas funkciju, kas var dekodēt un atskaņot mūziku no pārnēsājamām USB/microSD atmiņām. Pirms atskaņošanas kopējiet MP3/WMA mūziku uz USB/SD atmiņu. Ievietojiet USB/microSD atmiņu ierīcē, jo USB/microSD atskaņošanas režīms ir pieejams tikai tad, ja USB/microSD atmiņa ir pareizi pievienota. Pēc tam ierīce automātiski uztver un atskaņo MP3/WMA mūziku.

Dziesmas izvēle: īsi nospiediet pogu "iepriekšējā/nākamā", lai izvēlētos iepriekšējo vai nākamo dziesmu. Nospiediet pārtišanas pogu un turiet to nospiestu, lai pārtītu uz priekšu pašlaik atskaņoto dziesmu, un atļaidiet pogu, lai turpinātu atskaņot dziesmu. USB/microSD režīmā ir pieejamas šādas funkcijas: atskaņošana/pauze, skaņas izslēgšana, atkārtošana, skaņas izlīdzinātājs, augsto/zemo frekvenču regulēšana, poga "+10" u.tml. Plašāka informācija ir pieejama šīs instrukcijas punktā "Vispārējā apkalpošana".

Piezīmes:

- Nav ieteicams pievienot USB atmiņu ar USB pagarinātājiem, jo tas var negatīvi ietekmēt atskaņošanas kvalitāti un izraisīt troksni vai pārtraukt skaņu, kas rodas audio datu zuduma rezultātā, pārsūtot failus.
- Nav iespējams garantēt visu dziesmu dekodēšanu un atskaņošanu MP3/WMA/WAV/FLAC formātā.
- Ierīce atbalsta USB/microSD atmiņu ar maksimālo ietilpību 32 GB.
- Dažu USB/microSD atmiņu automātiska atskaņošana, atkarīgi no tipa un ražotāja, var aizņemt nedaudz vairāk laika. Ņemiet vērā, ka tas nav darbības traucējums.

Bluetooth apkalpošana

Šī ierīce ir aprīkota ar Bluetooth funkciju, kas ļauj atskaņot mūziku bezvadu režīmā no citas Bluetooth ierīces (piemēram, viedtālruna, planšetdatora u. tml.).

- Nospiediet avota izvēles pogu, lai pārietu Bluetooth režīmā. Ekrānā mirgos Bluetooth simbols, kas nozīmē, ka ierīce ir gatava savienoties ar citu ierīci.
- Ieslēdziet Bluetooth funkciju ārējā ierīcē un atrodiet pieejamo ierīci (iepazīstieties ar ārējās ierīces lietošanas instrukciju), pēc tam pārbaudiet pieejamo Bluetooth ierīci sarakstā. Izvēlieties "BP PB06DB", lai izveidotu savienojumu, pēc veiksmīgas savienošanas pāri uz displeja nepārtraukti deg Bluetooth simbols.
- Izvēlieties un atskaņojiet mūziku no ārējās Bluetooth ierīces, un pēc tam skaņa tiks atskaņota ar skaļruni šajā ierīcē.

4. Nospiediet pogu "Iepriekšējā/nākamā", lai izvēlētos pēdējo un nākamo dziesmu atskaņošanas laikā.
5. Bluetooth režīmā ir pieejamas atskaņošanas/pauzes, skaņas izslēgšanas, skaņas regulēšanas, augsto un zemo frekvenču regulēšanas funkcijas. Sīkāka informācija ir sniegta šīs instrukcijas punktā "Vispārējā apkalpošana".

Piezīmes:

- Atšķirīgu projektu un zīmolu dēļ nav iespējams garantēt pareizu savienošanu ar visām Bluetooth ierīcēm.
- Bluetooth darba attālums ir 10 metri bez nekādiem šķēršļiem.
- Ierīce var tikt savienota pāri un darboties kopā ar vienu Bluetooth ierīci vienlaicīgi.
- Ienākošā zvana Bluetooth atskaņošanas laikā gadījumā mūzika tiek pārtraukta uz brīdi un tās atskaņošana tiek atjaunota pēc zvana pabeigšanas.
- Ilgi nospiediet atskaņošanas/pauzes pogu uz augšējā paneļa, lai dzēstu pašreizējo Bluetooth savienojumu un sāktu savienošanu pāri ar citu ierīci.

Bluetooth TWS (True Wireless Stereo) bezvadu stereo funkcija: Skalrunis ir aprīkots ar bezvadu stereo TWS funkciju Bluetooth atskaņošanas laikā. Funkcija ir pieejama diviem skaļruņiem, kas pārslēgti Bluetooth režīmā. Iedarbinot bezvadu stereo funkciju pirmo reizi, izvēlieties vienu no diviem skaļruņiem kā galveno. Pēc tam ilgi (tris sekundes) nospiediet avota izvēles pogu "mode" uz tā augšējā paneļa, lai savienotu pāri galveno skaļruni ar otru pieejamo skaļruni. Pēc veiksmīgas TWS savienošanas pāri no skaļruņa tiek atskaņota isa skaņa. Sekundārā skaļruņa displejs nepārtraukti rādīs ziņojumu „SLAU”, un uz galvenā skaļruņa displeja mirgos ziņojums "BLUE". Pēc tam var sākt savienošanos pāri un Bluetooth apkalpošanu, un skaņa tiks atskaņota no abiem skaļruņiem vienlaicīgi. Mainot atskaņošanas režīmu uz FM/microSD/USB vai AUX galvenajā skaļrunī, skaņu joprojām atskaņo abi savienotie skaļruņi. Pirmās TWS savienošanas pāri laikā no skaļruņiem var tikt atskaņotas isas skaņas "sa sa sa...", kas nav darbības traucējums.

TWS atskaņošanas režīmā visas regulēšanas iespējas ir pieejamas galvenajā skaļrunī. Dažas funkcijas nav pieejamas sekundārajā skaļrunī, ņemiet vērā, ka tas nav darbības traucējums. Ja galvenais skaļrunis tiek izslēgts, TWS atskaņošana tiek apturēta. Gaidstāves režīma izslēgšanas/ieslēgšanas, skaļruņa izslēgšanas/ieslēgšanas gadījumā ilgi (tris sekundes) nospiediet atskaņošanas režīma pogu, lai atkārtoti savienotu pāri skaļruņus TWS režīmā. Atkārtoti ilgi nospiežot atskaņošanas režīma pogu, skaļruņi tiek atvienoti TWS režīmā.

Darbs AUX IN režīmā

Lai pievienotu un atskaņotu mūziku no cita atskaņotāja vai ierīces, rīkojieties atbilstoši tālāk sniegtajai instrukcijai: Izmantojot audio kabeli (ietilpst komplektā), savienojiet AUX IN ligzdu uz ierīces augšējā paneļa ar lineāru izeju vai atskaņotāja, piemēram MP3, CD, DVD atskaņotāja, miksera u. tml. austiņu izeju. Pēc tam izvēlieties un atskaņojiet mūziku ārējā atskaņotājā, un skaņa tiks atskaņota, izmantojot šo ierīci.

AUX-IN režīmā galveno atskaņošanas kontroli veic ārējais atskaņotājs. Šajā ierīcē var kontrolēt skaļumu, izslēgt skaņu un noregulēt basu un soprānu līmeni.

Karaoke

Atveriet bezvadu mikrofona bateriju nodalījuma vāku (ietilpst komplektā), uzstādiēt tajā divas AA baterijas (neietilpst komplektā) atbilstoši pozitīvās un negatīvās polaritātes simboliem, kas iegravēti bateriju nodalījumā, un pēc tam aizveriet mikrofona bateriju nodalījuma vāku. Uzstādiēt pārslēgu ieslēgšanas pozīcijā, lai ieslēgtu mikrofonu. Pēc dažām sekundēm skaļrunis automātiski tiks savienots pāri ar bezvadu mikrofonu. Iestatiet atbilstošu mikrofona skaļuma līmeni uz augšējā paneļa, un pēc tam sāciet dziedāt. Ierīce ir arī aprīkota ar vada mikrofona ieejas ligzdu, ievadiet vada mikrofona spraudni (neietilpst komplektā) 6,5 mm ligzdā un pēc tam ieslēdziet mikrofonu, lai dziedātu.

Padomi:

- Mikrofona skaļuma/atbalss/mikrofona augsto frekvenču/mikrofona zemo frekvenču iestatīšana: vairākkārt nospiediet izvēlnes pogu, lai pārslēgtu ierīci uz soprāna/bas/mikrofona skaļuma/atbalss/mikrofona augsto frekvenču/mikrofona zemo frekvenču/ģitāras skaļuma iestatījumiem, pēc tam nekavējoties pagrieziet skaļuma grozāmo pogu, lai pielāgotu atbilstošu līmeni. Pagaidiet brīdi, lai izietu no iestatījumiem. (Informācija uz displeja: TE = soprāna līmenis, B5 = basa līmenis, CU = mikrofona skaļums, EC = atbalss, T = mikrofona augstās frekvences, B = mikrofona zemas frekvences, GE = ģitāra.).
- Skaļrunis var radīt skaļu troksni vai proļojumus, ja skaļums, basu un soprānu iestatījumi vai atbalss funkcija ir iestatīti pārāk augstā līmenī. Tas nav darbības traucējums. Samaziniet iepriekš minēto iestatījumu līmeni un pēc tam ieslēdziet vai izslēdziet mikrofonu.
- Var izmantot karaoke funkciju un vienlaikus klausīties mūziku. Ja nepieciešams, paaugstiniet karaoke skaļumu un samaziniet mūzikas līmeni fonā; var mēģināt noregulēt atsevišķu mikrofonu un skaļruņa skaļuma līmeni, izmantojot skaļuma regulēšanas grozāmo pogu.
- Izslēdziet mikrofonu, novietojot to blakus skaļrunim, pretējā gadījumā tiek radīts liels troksnis.
- Uz bezvadu mikrofona korpusa ir skaņas izslēgšanas pārslēgs, kas ļauj izslēgt mikrofona skaņu.
- Šis modelis ir aprīkots ar mikrofona prioritātes funkciju. Aktivizējot šo funkciju no tālvadības pults, mikrofona skaņa vispirms tiek atskaņota no skaļruņa (mūzikas fons tiek izslēgts). Mūzikas atskaņošana fonā pēc mikrofona lietošanas pabeigšanas tiek automātiski atjaunota.
- Iespējams izmantot vienlaikus bezvadu un vada mikrofonu.

Ģitāras ieeja: Ierīce ir aprīkota ar iespēju pievienot mūzikas instrumentu, piemēram, ģitāru, izmantojot 6,3 mm ģitāras ligzdu uz augšējā paneļa. Šim mērķim izmantojiet papildu kabeli (neietilpst komplektā). Vairākkārt īsi nospiediet izvēlnes pogu uz augšējā paneļa, lai pārslēgtu ģitāras skaļuma iestatījumu (parādītā informācija "GE" attiecas uz ģitāru), pēc tam nekavējoties pagrieziet skaļuma grozāmo pogu, lai noregulētu atbilstošu līmeni. Pagaidiet brīdi, lai izietu no iestatījumiem. Ģitāras skaņa tiek atskaņota no skaļruņa. Var arī pielāgot ģitāras skaļuma līmeni, nospiežot pogu GT+/GT- uz tālvadības pults.

Problēmu novēršana

- Skaļrunis nevar ieslēgties.
 - Pārlicinieties, ka barošanas avots ir pareizi pievienots.

- Nav skaņas.

- Mēģiniet noregulēt skaļuma regulēšanas grozāmo pogu un pārbaudiet atskaņošanas avotu.
- Ja problēma joprojām pastāv, sazinieties ar servisa centru.

3. Skaņas kroplojums.

- a. Mēģiniet pielāgot un atskaņot mūziku ar zemāku skaļuma līmeni.
- b. Pārbaudiet augsto/zemo frekvenču regulēšanas stāvokli.

4. Troksnis FM radiostaciju klausīšanās laikā.

- a. Pārvietojiet ierīci citā vietā, lai nodrošinātu labāku uztveršanu.
- b. Ieslēdziet atkārtotu skenēšanu vai mainiet radiostaciju.

Specifikācija

Barošanas avots: AC 110-240V, 50/60 Hz.

Barošana no akumulatora: 7,4 V/5000mAh.

FM frekvence: 87,5–108,0 MHz.

USB savienojums: 5 V, 500 mA, versija 2.0, atbalstītas masveida atmiņas - līdz 32 GB.

MicroSD karte: atbalstīti nesēji - līdz 32 GB.

USB/microSD kartes atbalsta šādus mūzikas formātus: MP3, WMA, WAV, FLAC (nav garantēta visu šāda veida failu atskaņošana).

Bluetooth: V5.0, darba attālums līdz 10 m

RMS izejas jauda: 2 x 20 W.

Mikrofons:

ieeja 1 x 6,5 mm (neietilpst komplektā)

2 x bezvadu mikrofons (frekvence: 208,8 MHz, 215 MHz, barošanas avots: 2 x 1,5V (AA).

1 x ģitāras ieeja.

Jaudas patēriņš: 40 W.

Jaudas patēriņš gaidstāves režīmā: < 0,5 W.

(Šī specifikācija var tikt izmainīta bez brīdinājuma.)

Battery general information /Ogólne informacje o baterii

Manufacturer information: (Informacje o producencie)	DONGGUAN WILIYOUNG ELECTRONICS CO., LTD Address: No.5,Wenming 1 Street,Jinhe Community,Zhangmutou Town,Dongguan City,Guangdong Prov. Tel: +86- 0769-82932326; mail: Coco@wiliyoung.com			
Trade mark: (Znak towarowy)	WLY			
Model name: (Nazwa modelu)	Rechargeable Li-ion Cell / Ładowalna bateria litowo-jonowa			
Model number: (Oznaczenie numeryczne modelu)	21700			
Battery type: (Typ baterii)	Portable batteries / Bateria przenośna			
Production date: (Data produkcji)	Please reference information on battery body			
Rated voltage and capacity: (Napięcie znamionowe i pojemność)	7.4V/5000mAh			
Weight: (Waga)	151.5g			
Chemistry: (Skład chemiczny)	LiNixCoyMnzO2; C; Al; Cu; EC; DMC; EMC; LiPF6.			
Hazardous substance: (Substancje niebezpieczne)	NO / BRAK			
Usable extinguishing agent: (Stosowany środek gaśniczy)	Dry Chemical Powder or Carbon dioxide /Suchy proszek chemiczny lub dwutlenek węgla			
Critical raw material information (by weight percentage) Krytyczne informacje o surowcach (w procentach wagowych)	Ingredient (Składniki):	CAS NO.	EC#	Weight (%)
	LiNixCoyMnzO2	182442-95-1	695-690-9	25-30
	C	7782-42-5	231-955-3	15-20
	Al	7429-90-5	231-072-3	45328
	Cu	7440-50-8	231-159-6	45516
	EC	96-49-1	202-510-0	10-18
	DMC	616-38-6	210-478-4	
	EMC	623-53-0	613-014-2	
LiPF6	21324-40-3	244-334-7		



(Scan for battery information)
(Zeskanuj po więcej informacji o baterii)

Competence Center

2N-Everpol Sp. z o.o.
ul. Puławska 403A
02-801 Warsaw, Poland
phone: +48 22 688 08 00
e-mail: info@everpol.pl
www.blaupunkt.com

W przypadku pytań lub problemów
prosimy o kontakt z naszym serwisem.
In case of questions or problems
please contact our service.
Tel. 00 48 22 688 08 33
E-mail: info@blaupunkt-audio.pl

Wszelkie prawa zastrzeżone. Wszystkie nazwy marek są zarejestrowanymi
znakami towarowymi należącymi do odpowiednich podmiotów.
Dane i parametry techniczne mogą ulec zmianie bez wcześniejszego uprzedzenia.

All rights reserved. All brand names are registered trademarks of their
respective owners. Specifications are subject to change without prior notice.

A dark blue horizontal bar containing the slogan "Enjoy it." in a white, italicized, sans-serif font.

Enjoy it.