

Owner's Manual
Instrukcja obsługi
Návod k použití
Navodila za uporabo
Használati útmutató
Upute za upotrebu
Lietošanas instrukcija

Instrucțiune de deservire
Инструкция за употреба
Οδηγίες χρήσης
Kasutusjuhend
Naudojimo instrukcijos
Užívateľská príručka



Enjoy it.

2.1CH Soundbar with wireless subwoofer

Important Safety Instructions


CAUTION

RISK OF ELECTRIC SHOCK DO NOT OPEN

Caution:

To reduce the risk of electric shock, do not remove cover (or back). No user serviceable parts inside. Refer servicing to qualified service personnel.

Explanation of Graphical Symbols:



The lightning flash within an equilateral triangle is intended to alert you to the presence of uninsulated dangerous voltage within the product's enclosure that may be of sufficient magnitude to constitute an electric shock to a person or persons.



The exclamation point within an equilateral triangle is intended to alert you to the presence of important operating and maintenance (servicing) instructions in the literature accompanying the product.

To achieve the utmost in enjoyment and performance, and in order to become familiar with its features, please read this manual carefully before attempting to operate this product. This will assure you years of trouble free performance and listening pleasure.

Important Notes

- This safety and operating instruction should be retained for future reference.
- The apparatus should not be exposed to dripping or splashing or placed in a humid atmosphere such as a bathroom.
- Do not install the product in the following areas:
- Places exposed to direct sunlight or close to radiators.
- On top of other stereo equipment that radiate too much heat.
- Blocking ventilation or in a dusty area.
- Areas where there is constant vibration.
- Humid or moist places.
- Do not place near candles or other naked flames.
- Operate the product only as instructed in this manual.
- Before turning on the power for the first time, make sure the power adaptor is properly connected.
- Plug-in the USB stick directly or use a USB-extension cable which is not longer than 25 cm.

For safety reasons, do not remove any covers or attempt to gain access to the inside of the product. Refer any servicing to qualified personnel.

Do not attempt to remove any screws, or open the casing of the unit; there are no user serviceable parts inside. Refer all servicing to qualified service personnel.

SAFETY INSTRUCTIONS

1. Read Instructions - All the safety and operating instructions must be read before the product is operated.
2. Retain Instructions - The safety and operating instructions should be kept with the product for future reference.
3. Heed warnings - All warnings on the product and in the operating instructions should be adhered to.
4. Follow instructions - All operating and users' instructions should be followed.
5. Installation - Install in accordance with the manufacturer's instructions.
6. Power sources - This product should be operated only from the type of power source indicated by the marking adjacent to the power cord entry. If you are not sure of the type of power supply to your home, consult your product dealer or local power company.
7. Grounding or polarization - the product is not required to be grounded. Ensure that the plug is fully inserted into the wall outlet or extension cord receptacle to prevent blade or pin exposure. Some versions of the product are equipped with a power cord fitted with a polarized alternating line plug (a plug having one blade wider than the other). This plug will fit onto the power outlet only one way. This is a safety feature. If you are unable to insert the plug fully into the outlet, try reversing the plug. If the plug should still fail to fit, contact your electrician to replace your obsolete outlet. Do not defeat the safety purpose of the polarized plug. When using an extension power-supply cord or a power-supply cord other than that supplied with the appliance, it should be fitted with the appropriate molded plugs and carry safety approval appropriate to the country of use.
8. Power cord protection - Power-supply cords should be routed so that they are not likely to be walked on, kinked or pinched by items placed on or against them, paying particular attention to cords from plugs, receptacles and the point where they exit from the product.
9. Overloading - Do not overload wall outlets, extension cords, or multiple sockets, as this can result in a risk of fire or electric shock.
10. Ventilation - The product must be properly ventilated. Do not place the product on a bed, sofa, or other similar surface. Do not cover the product with any items such as tablecloths, newspapers, etc.
11. Heat - The product should be situated away from heat sources such as radiators, heat registers, stoves, or other products, including amplifiers that produce heat. No naked flame sources, such as lighted candles, should be placed on the apparatus.
12. Water and moisture - To reduce the risk of fire or electric shock, do not expose the product to rain, dripping, splashing or excessive moisture such as in a sauna or bathroom. Do not use this product near water, for example, near a bathtub, washbowl, kitchen sink, laundry tub, in a wet basement or near a swimming pool (or similar).

13. Object and Liquid Entry - Never push objects of any kind into this product through openings, as they may touch dangerous voltage points or short-circuit parts that could result in a fire or electric shock. Never spill liquid of any kind on the product. Do not place any object containing liquid on top of the product.
14. Cleaning - Unplug the product from the wall outlet before cleaning. Dust in the woofer may be cleaned with a dry cloth. If you wish to use an aerosol cleaning spray, do not spray directly on the cabinet; spray onto the cloth. Be careful not to damage the drive units.
15. Attachments - Do not use attachments not recommended by the product manufacturer, as they may cause hazards.
16. Accessories - Do not place this product on an unstable cart, stand, tripod, bracket or table. The product may fall, causing serious injury to a child or adult, and serious damage to the product. Use only with a cart, stand, tripod, bracket or table recommended by the manufacturer or sold with the product. Any mounting of the product should follow the manufacturer's instructions and should use a mounting accessory recommended by the manufacturer.
17. Moving the product - A product and cart combination should be moved with care. Quick stops, excessive force and uneven surfaces may cause the product and cart combination to overturn.
18. Unused periods - The power cord of the appliance should be unplugged from the outlet during lightning storms or when the apparatus is left unused for a long period of time.
19. Servicing - Do not attempt to service this product yourself, as opening or removing covers may expose you to dangerous voltage or other hazards. Refer all servicing to qualified service personnel.
20. Please remove the power plug from the main power source or wall power source when not in use. When plugged in to a power source, the system is in standby mode, so the power is not entirely cut off.
21. Replacement parts - When replacement parts are required, ensure that the service technician has used replacement parts specified by the manufacturer or have the same characteristics as the original part. Unauthorized substitutions may result in fire, electric shock or other hazards.
22. Mains fuses - For continued protection against fire hazard, use fuses only of the correct type and rating. The correct fuse specification for each voltage range is marked on the product.
23. Do not turn up the volume while listening to a section with very low level inputs or no audio signals. If you do, the speaker may be damaged when a peak level section is suddenly played.
24. The only means of completely disconnecting the product from the power supply is by removing the power cord from the wall outlet or the product. The wall outlet or the power cord entry to the product must remain freely accessible at all times while the product is in use.
25. Try to install the product near a wall socket or extension cord and shall be easily accessible.
26. The highest environmental temperature suitable for this product is 35°C.
27. ESD hints - If the product maybe reset or not reset to operation of control due to electrostatic discharge, just switch off and reconnect again, or move the product to another location.
28. Battery
 - a. The batteries must not be exposed to excessive heat such as sunshine, fire or the like.
 - b. The batteries should be drawn to the environmental aspects of battery disposal.
 - c. Battery usage CAUTION-to prevent battery leakage which may result in body injuries, property damage, or damage to the apparatus:
 - . Install all batteries correctly, + and – as marked on the apparatus.
 - . Do not mix batteries (old and new or carbon and alkaline, etc.)
 - . Remove batteries when the unit is not used for a long time.

ERP2 (Energy Related Products) note

This product with ecodesign complies with the stage 2 requirements of Commission Regulation (EC) NO. 1275/2008 implementing Directive 2009/125/EC regard to standby and off mode electric power consumption of electronic household and office equipment. After 30 minutes without any audio input, the device will automatically switch into standby mode. Follow up the instruction manual to resume the operation.

Important note:

This device is equipped with an energy saving mode: if no signal is given during 30 minutes the device will switch automatically into standby mode in order to save energy (ERP 2 standard). Please note that low volume setting in the audio source may be recognized as "no audio signal": this will affect the capability of signal detection from the device and can also originate an automatic switch into standby mode. If this happens please reactivate the audio signal transmission or increase the volume setting on the audio source player (MP3 player, etc.), in order to resume playback. Please contact the local service center if the problem remains.

WARNING

This appliance is not intended for use by persons (including children) with reduced physical sensory or mental capabilities, or lack of experience and knowledge, unless they have been given supervision or instruction concerning use of the appliance by a person responsible for their safety. Children should be supervised to ensure that they do not play with the appliance.

1. Never use the device unsupervised! Switch off the device whenever you are not using it, even if this only for a short while.
2. The appliance is not intended to be operated by means of an external timer or separate remote control system.
3. If the supply cord is damaged, it must be replaced by the manufacturer, its service agent or similarly qualified persons in order to avoid a hazard.
4. Before operating this system, check the voltage of this system to see if it is identical to the voltage of your local power supply.

5. The unit should not be impeded by covering the ventilation opening with items such as newspaper, table-cloths, curtains etc. Make sure that there are at least 20 cm of space above and at least 5 cm of space on each side of the unit.
6. The apparatus must not be exposed to dripping or splashing and that objects filled with liquids, such as vases, must not be placed on the apparatus.
7. To prevent fire or shock hazard, do not expose this equipment to hot places, rain, moisture or dust.
8. Do not locate this unit near any water sources e.g. taps, bathtubs, washing machines or swimming pools. Ensure that you place the unit on a dry, stable surface.
9. Do not place this unit close to a strong magnetic field.
10. Do not place the unit on an amplifier or receiver.
11. Do not place this unit in a damp area as the moisture will affect the life of electric components.
12. If the system is brought directly from a cold to a warm location, or is placed in a very damp room, moisture may condense on the lens inside the player. If this occurs, the system will not operate properly. Please leave the system turned on for about an hour until the moisture evaporates.
13. Do not attempt to clean the unit with chemical solvents as this might damage the finish. Wipe with a clean, dry or slightly damp cloth.
14. When removing the power plug from the wall outlet, always pull directly on the plug, never pull on the cord.
15. Depending on the electromagnetic waves used by a television broadcast, if a TV is turned on near this unit while it is also on, lines might appear on the TV screen. Neither this unit nor the TV is malfunctioning. If you see such lines, keep this unit well away from the TV set.
16. The mains plug is used as the disconnect device, the disconnect device must remain readily operable.
17. To prevent possible hearing damage, do not listen at high volume levels for long periods.



NOTICE



Hereby, Blaupunkt Competence Center 2N-Everpol Sp. z o.o., declares that this equipment is in compliance with the essential requirement and other relevant provisions of Directive 2014/53/EU. Declaration of conformity can be obtained from the product page at www.blaupunkt.com.

Responsible party: 2N-Everpol Sp. z o.o., Puławska 403A, 02-801 Warsaw, Poland, Phone: +48 22 331 99 59, E-mail:

info@everpol.pl



Your products is designed a manufactured with high quality materials and components, which can be recycled and reused.



When this crossed-out wheeled bin symbol is attached to a product it means that the product is covered by the European Directive 2012/19/EU. Please inform yourself about the local separate collection system for electrical and electronic products. Please act according to your local rules and do not dispose of your old products with your normal household waste. Correct disposal of your old product helps to prevent potential negative consequences for the environment and human health.



Your product contains batteries covered by the European Directive 2006/66/EC, which cannot be disposed with normal household waste. Please inform yourself about the local rules on separate collection of batteries because correct disposal helps to prevent negative consequences for the environmental and human health.

Environmental information

All unnecessary packaging has been omitted. We have tried to make the packaging easy to separate into three materials: cardboard (box), polystyrene foam (buffer) and poly ethylene (bags, protective foam sheet). Your system consists of material which can be recycled and reused if disassembled by a specialized company. Please observe the local regulations regarding the disposal of packaging materials, exhausted batteries and old equipment.

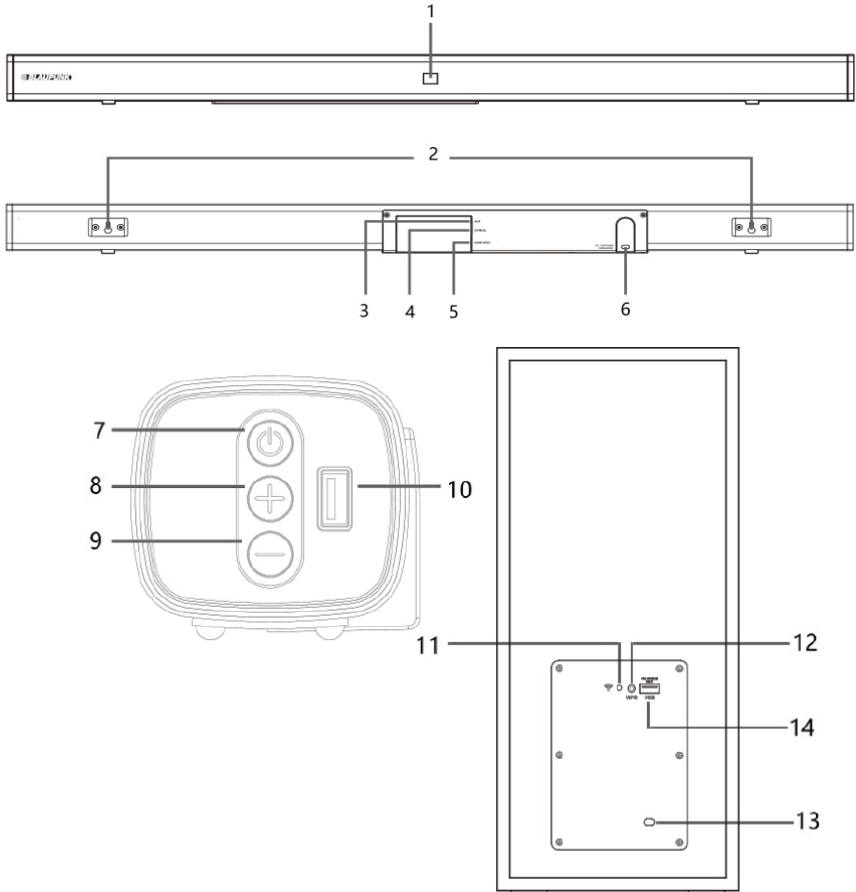
Recording and playback of material might require consent. See Copyright Act 1956 and The Performer's Protection Acts 1958 to 1972.



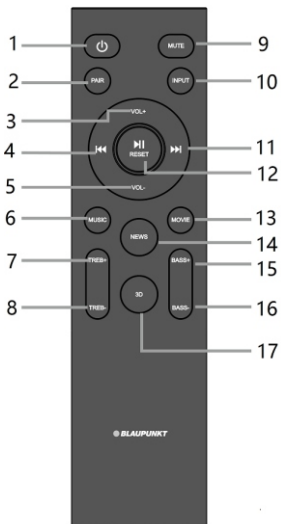
The Bluetooth® wordmark and logos are registered trademarks owned by Bluetooth SIG, Inc. and any use of such marks by us is under license. Other trademarks and trade names are those of their respective owners.

Many thanks to buy our model, please read and reference this manual carefully before operate the unit. Please keep the manual for future operation reference.

Control panel



- 1 – Display (BT = Bluetooth, OP = optical, Hd = HDMI, US = USB, AU = AUX); 2 – Mounting brackets; 3 – AUX input jack;
- 4 – Optical input port; 5 – HDMI (ARC) port; 6 – Soundbar power input: AC 110/240v ~ 50/60HZ;
- 7 – power/standby button; 8 – Volume up; 9 – Volume down; 10 – USB playback port;
- 11 – LED pairing indicator; 12 – WPS auto pair button; 13 – Subwoofer AC power input: 110/240v ~ 50/60HZ;
- 14 – USB port for service;

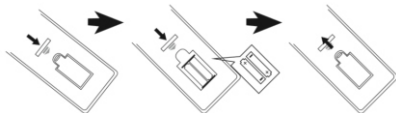


Remote controller

- 1 – Power button:** press it for unit standby on/off.
- 2 – Pair button:** long press(3 seconds) to disconnect current Bluetooth device, but ready for pairing with others.
- 3,5 – Volume +/- button:** press it for volume adjustment.
- 4,11 – previous/next button:** press it to switch previous/next track in Bluetooth or USB mode.
- 6 – Music button/13 – Movie button/14 – News button/17 – 3D button:** Press it for preset EQ enjoyment.
- 7, 8 – Treble +/- button:** press it to adjust treble level.
- 9 – Mute button:** press it to make the unit in silence, press it again to resume the sound.
- 10 – Input button:** press it to switch the play mode between Bluetooth/optical/HDMI/USB/AUX.
- 12 – Play/pause, reset button:** press it to play or pause the music in Bluetooth or USB mode;
Long press(3 seconds) to reset the unit including volume, EQ etc..
- 15, 16 – bass +/- button:** press it to adjust bass level.

Remote control battery installation

Open up the battery door and insert 2 x AAA dry battery(included) into the compartment; please make sure the polarity of battery will aim and correspond to the positive and negative silkscreen-printed symbol in the compartment. Then close the battery door.



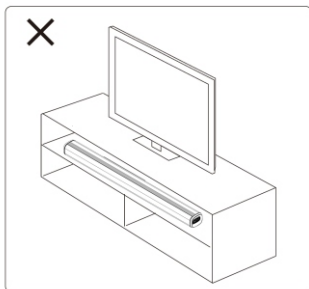
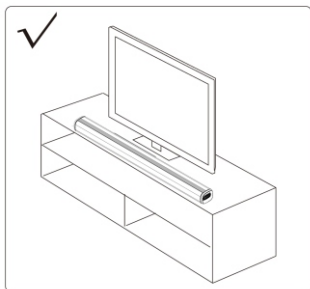
Notes:

- a. The best working distance of remote control is within 5 meters without any obstacle in between. Please aim to the remote control sensor locates on the front of unit during operation.
- b. The sensitivity of remote control will become weak when the battery power exhausted. Please replace it with fresh one for operation.
- c. Please take out the battery in case of none-operation in a long time.
- d. Please dispose the battery in an environment friendly way. Please reference the local government requirement for the detail.

Soundbar placement

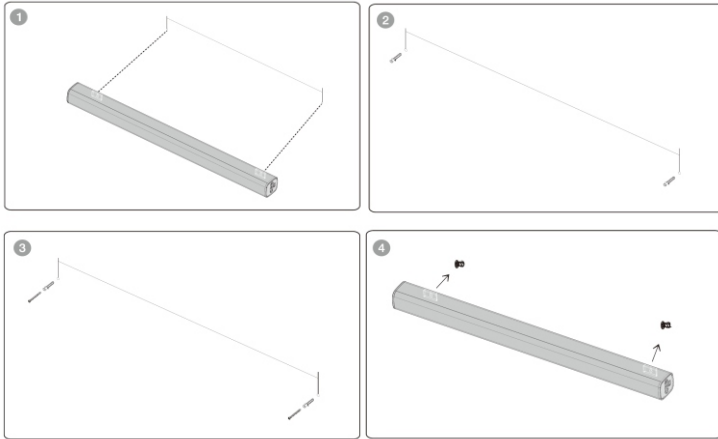
The best working distance between soundbar and wireless subwoofer is within 6meters(valid working range 10meters). Please do not place the subwoofer too far away from soundbar. And you can choose to place the soundbar on a flat surface or wall-mounting way as following.

1. Place on a flat surface: Place the unit horizontally on a flat surface such as a TV unit or shelves and align it centrally with the TV screen. Allow some space between the speaker and the wall. Do not place it inside a cabinet or a walled shelf. Follow this guidance for best sound output and good airflow around the soundbar.

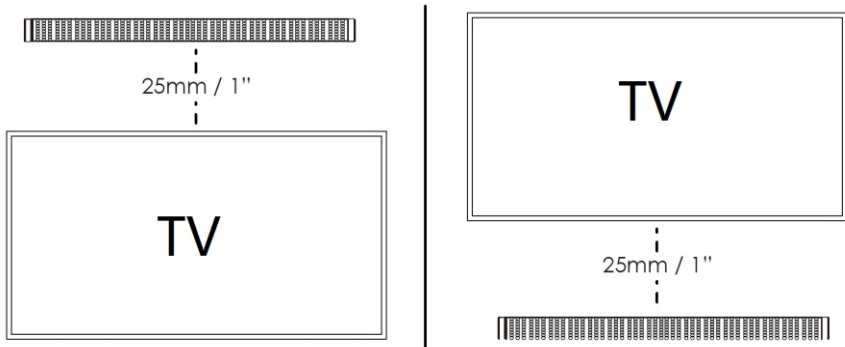


1. Mount on the wall

- a. Use the soundbar for location, and mark 2 holes by a pencil on the wall which has same distance as the wall bracket on the soundbar. Then drill the mounting holes directly.
- b. Put the plastic anchors onto the wall and secure the screws to the plastic clip, do not tighten the screws all the way make sure leave some spaces.
- c. Once the screws securely fastened, hang the soundbar over by inserting the screws onto the wall mount bracket.



Warning: If you are not confident to wall-mount the soundbar correctly and securely, please seek the assistance of an experienced and skilled person of professional. Install the speaker on a vertical, reinforced area of wall. For plastic walls, it is recommended to screw into wall studs for greater security. For optimal performance, allow at least 25mm/1" distance between the soundbar and TV.

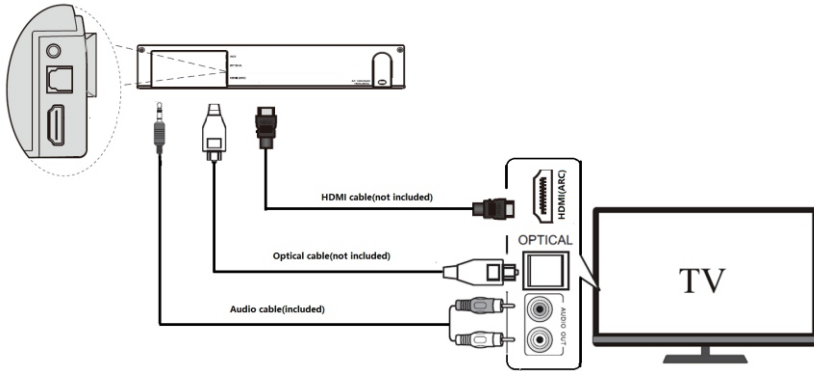


Audio wired connection and setting

Before power on the unit, please kindly connect the unit first. The soundbar has included digital (optical & HDMI(ARC)) and analogue (AUX IN) inputs for different source. You can reference below instruction for the connection depends on what device you have.

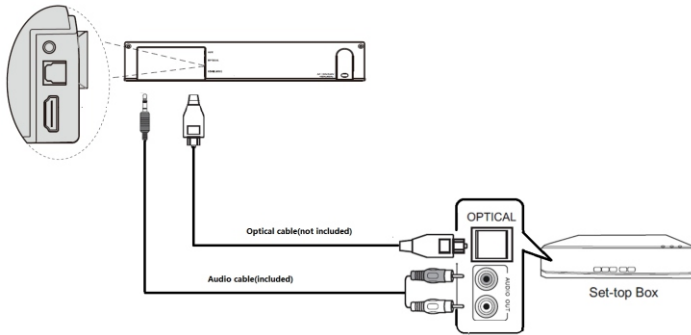
1. Soundbar connect with output of your TV.

Remove the protective cap of the OPTICAL socket, and then using an OPTICAL cable (not included) to connect between the TV's OPTICAL OUT jack and the OPTICAL input jack of soundbar, the HDMI(ARC)/AUX input connection is same.



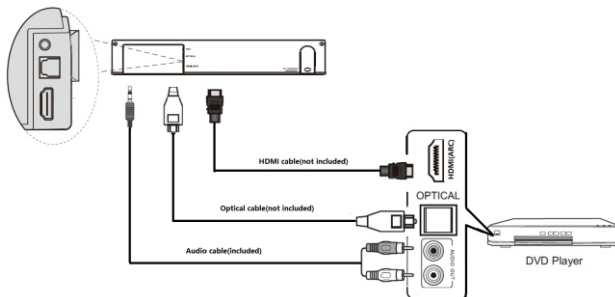
2. Soundbar connect with TV set-top box.

In case of output jack of your TV set-top box has, you can follow up below drawing and select AUX IN/optical connection with Soundbar.



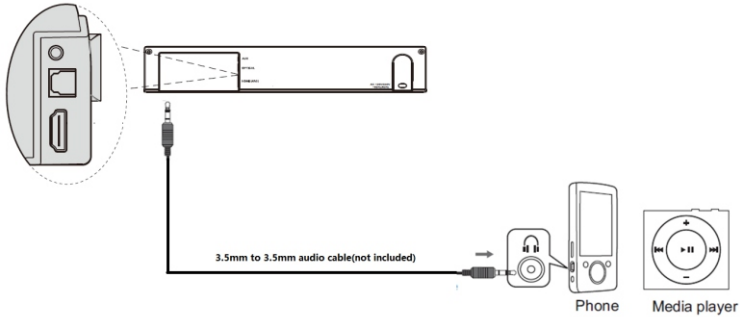
3. Soundbar connect with DVD or Blue-ray DVD player.

In case of output jack of your DVD player or Blue-ray DVD player has, you can follow up below drawing and select AUX IN/optical/HDMI connection with soundbar.



4. Soundbar connect with MP3 player.

The soundbar has included one MP3 Link jack (AUX) which is able to connect with any other MP3 player device. Please reference below drawing for the connection and playing.

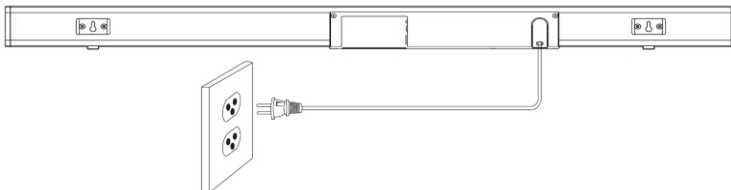


Important notes:

1. If there is no sound come out of the soundbar in optical or HDMI mode. Make sure the audio setting of your source player (e.g. DVD player, game player, TV) is set to "PCM stereo" or "stereo 2.0" with digital output. Please reference your TV or player manual for this operation.
2. **HDMI (ARC):** The soundbar supports HDMI with Audio Return Channel(ARC). If your TV has HDMI ARC compliant(reference your TV user manual for details), you can hear the TV audio through your soundbar by using a single HDMI cable(not included). The HDMI ARC connector on the TV may be labelled differently, please pay attention to check your TV's manual.
3. The output sound of optical and HDMI mode may louder than AUX IN etc which is normal, because the digital audio signal input and output level is different on audio source player(like DVD player, TV etc).
4. In case finished above connection and setting, you can start to operate the soundbar according to this manual, and entertainment.

Operation

Power connection: Please check if the power source correspond to the rating voltage spec, which locates on the rear panel of soundbar and subwoofer each. If it does not match, please consult to your dealer or service center. Plug on the attached AC power plug on to the wall-mount socket in order to get the power source.



Power on/off: short press the power button on soundbar to power on the unit, press it repeatedly to switch play model between Bluetooth/optical/HDMI/USB/AUX, long press(3 seconds) the power button to standby the unit. You also can achieve the same function by pressing power and input button from remote controller.

In case we power on the soundbar and wireless subwoofer, the unit will auto pair with wireless subwoofer within few seconds. If not, please try manual pairing operation, which introduce in the following chapter of this manual.

Bluetooth operation

This product includes Bluetooth function which can wireless playback the music from other Bluetooth device (like smart phone, tablet, TV etc).

1. Power on the unit, press input button by remote controller repeatedly to enter Bluetooth mode, and the "BT" symbol will flare on display which means the unit is ready to pair.
2. Enable the Bluetooth function on your device, and search the available device (please reference your device manual for operation), then check the available Bluetooth device on the list. Select "BP LS200" for pairing, and the Bluetooth symbol will stable on display after paired successful.
3. Select and play the music from your Bluetooth device, adjust the volume level properly, then the sound will come out from the speaker.
4. In Bluetooth mode, you can do operation like previous/next track selection, play/pause, mute etc. by pressing relevant button from remote controller.

Notices:

- a. All Bluetooth devices are not guaranteed for pairing successfully due to different design and brand.
- b. The best working distance of Bluetooth is within 10 meters without any obstacle in between.
- c. The unit only can pair and work with one Bluetooth device in one time.
- d. In case of an incoming phone call during Bluetooth playback; the music will stop temporary, and resume to playback after end the phone call.

e. Long press the pair button from remote controller can quit the current Bluetooth device connection, and start pair with other device.

Bluetooth connect with TV: In case of your TV device has Bluetooth function, the soundbar can wireless playback with your TV as well. You have to turn on the Bluetooth function on your TV screen and searching "BP LS200" for connection. Please reference your TV's manual for the details.

USB playback operation

The product includes USB playback function which can decode and playback the music from a USB storage device. Before start the operation, please copy the MP3 format music into the device; and insert the device into the unit first, because the USB mode is only available when the device plugged on unit successfully. Then the unit will detect and play the inside MP3 music automatically.

In USB playback mode, you can get track selection/play/pause/preset EQ/treble&bass adjustment function etc. by press relevant button from remote controller.

Notes:

- Connect the USB stick by a USB extension cable for playback is not recommended which may produce noise or intermittent sound due to audio data loss during transfer.
- Decode and playback all MP3/WAV format music is not guaranteed.
- The max supported storage device is up to 32GB.
- Some different device and brand may take a little long time to playback; please kindly note this is not mal-function.

Pair wireless subwoofer with soundbar manually

The soundbar has paired ready with wireless subwoofer defaultly. In case, there has connection problem. Please try below step.

- Connect soundbar with available AC power and power on, enter to Bluetooth mode; then the soundbar is under pairing mode with subwoofer.
- Meanwhile, connect AC power and turn on the wireless subwoofer, the blue color LED will flash slowly on rear panel. Long press(3seconds) the WPS AUTO PAIR button on the rear panel of subwoofer. The blue LED indicator will flicker quickly, now the subwoofer is under pairing with soundbar.
- After around 20~30 seconds, the blue LED indicator of subwoofer will become stable constantly without flickering, which means successful pairing between soundbar and subwoofer.
- After 1st time successful pairing, the soundbar and subwoofer will auto pair each other in next time using.
- The wireless subwoofer can common pair with another LS200SUB soundbar under same batch. Please repeat above operation, but please make sure only the desired soundbar and wireless subwoofer is turn on during pairing.

Note:

- If the wireless subwoofer is turn on, but the soundbar is power off or standby; the blue LED indicator of wireless subwoofer will become red after few minutes because it in standby mode.
- To avoid sound quality interference cause by wireless signal while you play LS200SUB, please keep appropriate distance away from your other Wi-Fi /2.4G wireless device.
- The maximum connection range between soundbar and wireless subwoofer is 10 meters in open space, and we suggest distance is 6 meters.

Trouble shooting

1. The speaker cannot turn on.

- Please check if the power connection is correct.

2. No sound output.

- Please try to adjust the volume knob, mute button and check the play source.
- please contact service center for support if the issue remained.

3. Sound distortion.

- Please try to adjust and play the music at a lower volume level.
- Check the status of treble/bass setting.
- Please try to decrease the volume level on outsourcing player like TV etc.

4. The sound is sounding intermittently in Bluetooth mode.

- Please try to move the Bluetooth device closer to Soundbar.
- Please try to repair the soundbar with Bluetooth device.

5. There is no sound output in optical or HDMI(ARC) mode.

- Please check if there was connected properly between soundbar and device.
- Please make sure that your TV has HDMI(ARC) compliant, and appropriate port was connected. Please set up the TV to HDMI ARC(CEC).
- Set up audio output mode of TV to PCM format.

6. There is no sound from subwoofer.

- Press and hold the WPS auto pair button on the rear panel of subwoofer to reset and wireless pair with soundbar.
- Power off and on again soundbar and subwoofer both, and manual pair the device according to this manual.
- Please contact service support center in case issue remains.

Specifications**General**

Power requirements: AC110~240V 50/60Hz
Power consumption (on mode): 192 Watt
Standby power consumption :< 0.5 Watt
Output power RMS: 160 Watt (40W x 2 + 80W subwoofer)
Total harmonic distortion: <1% (1 kHz, 1W)
Audio input sensitivity: 800mV
Frequency response: 45Hz – 20 KHz
USB support music: MP3/WAV
USB support device: up to 32GB max.
Soundbar dimensions: 960 x 70 x 78 mm (W x H x D)
Subwoofer dimensions: 170 x 380 x 306 (W x H x D)

Speakers

Soundbar driver impedance: 4Ω *4; 2.25inch
Woofer impedance: 3Ω *1; 6.5inch

Bluetooth

Bluetooth version: V5.0
Work range: approx. 10 meters
Transmission frequency: 2.402~2.480GHz
Protocols: A2DP/AVRCP
(Notes: the product spec may change without prior notice).

Accessories

Remote Control x 1 pcs
Remote control battery x 1 pair
Instruction Manual x 1 pcs
Warranty card x 1 pcs
Audio cable (3.5mm stereo to RCA) x 1 pcs
Wall mount screw: 2pcs x ST4 *45MM + 2pcs x plastic screw anchor

Ważne instrukcje dotyczące bezpieczeństwa



PRZESTROGA



ZAGROŻENIE PORAZIENIEM ELEKTRYCZNYM
NIE OTWIERAĆ

Przeostroga:

Aby zmniejszyć ryzyko porażenia prądem, nie wolno demontować pokrywy ani tylnej części urządzenia. Wewnątrz urządzenia nie znajdują się elementy przeznaczone do samodzielnej naprawy przez użytkownika. Konserwacją i naprawą sprzętu zajmują się wyłącznie wykwalifikowani pracownicy serwisu.

Objaśnienie symboli graficznych:



Symbol błyskawicy zakończonej strzałką umieszczonej w trójkącie równobocznym ostrzega użytkownika przed nieizolowanym „niebezpiecznym napięciem” w obrębie obudowy urządzenia, które może osiągnąć wielkość grożącą porażeniem prądem elektrycznym.



Znak wykrzyknika w trójkącie równobocznym ostrzega użytkownika, że w tym momencie przedstawione są ważne informacje dotyczące obsługi i konserwacji sprzętu w dokumentacji, dołączonej do urządzenia.

Prosimy o przeczytanie tej instrukcji przed przystąpieniem do obsługi urządzenia, aby zapoznać się z jego funkcjami i wykorzystać je zgodnie z przeznaczeniem. Zapewni to długotrwałą, bezawaryjną obsługę urządzenia i przyjemność z użytkowania.

Ważne informacje

- Należy zachować instrukcję obsługi oraz informacje dotyczące bezpieczeństwa w celu wykorzystania ich w przyszłości.
- Nie należy dopuszczać do tego, aby na urządzenie kapala lub wylewała się ciecz. Nie wolno też używać go w wilgotnych miejscach, jak np. łazienka.
- Nie wolno instalować tego urządzenia w następujących miejscach:
 - Wystawionych na bezpośrednie działanie promieni słonecznych lub w pobliżu grzejników.
 - Kłaść go na wierzchu innego sprzętu stereofonicznego który wydziela ciepło.
 - Blokując wentylację lub w zapyłonym miejscu.
 - W miejscach narażonych na ciągłe drgania.
 - W miejscach o wysokiej wilgotności.
- Nie wolno stawiać urządzenia w pobliżu świec lub otwartego ognia.
- Urządzenia można używać wyłącznie w sposób opisany w niniejszej instrukcji.
- Przed pierwszym włączeniem zasilania należy upewnić się, że zasilacz został prawidłowo podłączony.
- Pamięć USB podłącza się bezpośrednio lub przy użyciu przedłużacza USB o długości do 25 cm

Ze względów bezpieczeństwa nie należy demontować obudów ani uzyskiwać dostępu do wnętrza urządzenia. Urządzenie powinno być naprawiane przez wykwalifikowany personel serwisu.

Nie wolno rozkręcać urządzenia ani otwierać jego obudowy, gdyż wewnątrz nie ma żadnych części, które mogłyby być naprawiane przez użytkownika. Konserwacją i naprawą sprzętu zajmują się wyłącznie wykwalifikowani pracownicy serwisu.

INSTRUKCJE DOTYCZĄCE BEZPIECZEŃSTWA

- Przeczytać instrukcję — przed korzystaniem z urządzenia należy przeczytać całość instrukcji obsługi oraz informacje o bezpieczeństwie.
- Zachować instrukcje — należy zachować instrukcje użytkowania i obsługi w celu wykorzystania ich w przyszłości.
- Przestrzegać ostrzeżeń — należy postępować zgodnie z wszystkimi ostrzeżeniami zamieszczonymi na urządzeniu oraz zgodnie z instrukcją obsługi.
- Przestrzegać instrukcji — należy postępować zgodnie z instrukcją obsługi oraz wskazówkami dla użytkownika.
- Instalacja — należy ustawić urządzenie zgodnie z instrukcjami producenta.
- Źródła zasilania – urządzenie powinno być zasilane wyłącznie ze źródeł o parametrach podanych na oznaczeniach na kablu zasilania. Jeżeli użytkownik nie jest pewien, jakiego rodzaju zasilaniem dysponuje w domu, powinien skontaktować się ze sprzedawcą urządzenia lub lokalnym dostawcą energii elektrycznej.
- Uziemienie lub polaryzacja zasilania — urządzenie nie musi być uziemione. Należy upewnić się, że wtyczka jest do końca włożona do gniazdka sieciowego lub przedłużacza, aby nie dopuścić do odslonięcia bolców lub styków. Niektóre wersje urządzenia mogą być wyposażone w spolaryzowaną wtyczkę prądu przemiennego (z jednym bolcem szerszym). Tę wtyczkę można włożyć do gniazdka sieciowego tylko w jeden sposób. Jest to funkcja zabezpieczająca. Jeśli nie można włożyć wtyczki do gniazdka, należy spróbować ją odwrócić. Jeśli wtyczka nadal nie pasuje do gniazdka, należy zlecić elektrykowi jego wymianę. Nie wolno zdejmować z zabezpieczeń z wtyczki spolaryzowanej. Gdy korzysta się z przedłużacza lub kabla zasilania innego niż dostarczony razem z urządzeniem, powinny mieć właściwe wtyczki oraz atest bezpieczeństwa wymagany w danym kraju.
- Zabezpieczenie kabla zasilania — kable zasilania należy poprowadzić w taki sposób, aby nie można było po nich chodzić, przyciskając lub przyciągając postawionymi przedmiotami. Zwrócić szczególną uwagę na wtyczki, gniazdka sieciowe i miejsca, w którym kable są wyprowadzone z urządzenia.
- Przeciążenie — nie wolno przeciążać gniazdek ściennych, przedłużaczy i rozdzielaczy elektrycznych, ponieważ grozi to wybuchem pożaru lub porażeniem prądem elektrycznym.
- Wentylacja — urządzenie musi być poprawnie wentylowane. Nie wolno ustawiać urządzenia na łóżku, sofie lub podobnych powierzchniach. Nie wolno przykrywać urządzenia obrusami, serwetkami, gazetami itd.

11. Ciepło — nie ustawiać urządzenia w pobliżu źródeł ciepła, takich jak grzejniki, promienniki, piece lub innych urządzeń (również wzmacniacze) wytwarzających ciepło. Nie stawiać na urządzeniu zapalonych świecy i innych źródeł otwartego ognia.
12. Woda i wilgoć — aby zmniejszyć zagrożenie pożarem lub porażeniem elektrycznym, nie wolno narażać urządzenia na bezpośrednie działanie deszczu, wody i wilgoci, jak np. w saunie czy w łazience. Nie używać niniejszego urządzenia w pobliżu wody, na przykład obok wanny, umywalki, zlewu kuchennego lub balii, w wilgotnej piwnicy lub w pobliżu basenu (lub w podobnych miejscach).
13. Przedmioty i ciecz w urządzeniu — nie należy wciskać jakichkolwiek przedmiotów przez otwory urządzenia, ponieważ mogą one zetknąć się z punktami niebezpiecznego napięcia i podzielić pożar lub porażenie prądem. Pod żadnym pozorem nie należy rozlewać jakichkolwiek cieczy na powierzchni urządzenia. Nie wolno kłaść na wierzchu urządzenia przedmiotów zawierających ciecz.
14. Czyszczenie — należy zawsze odłączyć urządzenie od gniazdka sieciowego przed czyszczeniem. Kurz dookoła głośnika można usunąć suchą szmatką. Jeśli do czyszczenia ma być użyty aerozol, nie należy kierować rozpylanego strumienia bezpośrednio na urządzenie, ale na szmatkę. Należy uważać, aby nie uszkodzić jednostek napędowych.
15. Wyposażenie dodatkowe — nie wolno używać akcesoriów, które nie są dopuszczone przez producenta, gdyż mogą stwarzać zagrożenie.
16. Akcesoria — nie wolno ustawiać urządzenia na niestabilnym wózku, stojaku, statywie, wsporniku czy stole. Urządzenie może ulec przewróceniu i uszkodzeniu oraz spowodować poważne obrażenia u dziecka lub osoby dorosłej. Należy używać wyłącznie wózków, stojaków, statywów, wsporników i stołów określonych przez producenta albo sprzedawanych wraz z urządzeniem. Montaż urządzenia należy przeprowadzać zgodnie z instrukcjami producenta, przy użyciu zestawu montażowego zalecanego przez producenta.
17. Przenoszenie urządzenia — urządzenie umieszczone na wózku należy przesuwać bardzo ostrożnie. Gwałtowne zatrzymanie, zbyt duża siła lub nierówne powierzchnie mogą spowodować przewrócenie wózka wraz z urządzeniem.
18. Okres nieużywania urządzenia — kabel zasilania urządzenia należy odłączyć od gniazdka sieciowego w trakcie burz z wyładowaniami atmosferycznymi lub gdy urządzenie nie będzie używane przez dłuższy czas.
19. Serwisowanie — nie należy próbować własnoręcznie przeglądać urządzenia. Otwieranie pokrywy może spowodować kontakt z niebezpiecznym napięciem i narazić użytkownika na inne niebezpieczeństwa. Konserwacją i naprawą sprzętu zajmują się wyłącznie wykwalifikowani pracownicy serwisu.
20. Gdy urządzenie nie jest używane, należy odłączyć jego wtyczkę zasilania od gniazdka sieciowego. Gdy urządzenie jest podłączone do źródła zasilania, znajduje się w trybie czuwania i nie jest całkowicie wyłączone.
21. Części zamienne — przy wymianie części należy sprawdzić, czy pracownik serwisu użył części zamiennych zalecanych przez producenta lub też czy części są identyczne jak część oryginalna. Dokonywanie wymiany na niezatwierdzone części grozi wybuchem pożaru, porażeniem prądem elektrycznym lub innymi niebezpieczeństwami.
22. Główne bezpieczniki — aby zabezpieczyć w sposób ciągły urządzenie przed pożarem, należy używać bezpieczników właściwego typu i parametrów. Parametry bezpieczników w danym zakresie napięcia są zaznaczone na urządzeniu.
23. Nie wolno zwiększać głośności przy słuchaniu części utworu o małej głośności lub przy braku wejściowego sygnału audio. W innym wypadku może dojść do uszkodzenia głośnika przy gwałtownym wzroście natężenia sygnału.
24. Jedynym sposobem całkowitego odłączenia urządzenia od źródła zasilania jest odłączenie kabla zasilania z gniazdka zasilania lub z urządzenia. Gniazdko sieciowe lub wejście kabla zasilania do urządzenia muszą być zawsze dostępne w trakcie używania produktu.
25. Urządzenie powinno się ustawić w pobliżu gniazdka sieciowego lub przedłużacza i w taki sposób, aby zawsze było dostępne.
26. Maksymalna temperatura otoczenia urządzenia wynosi 35°C.
27. Wskazówki dotyczące wyładowań elektrostatycznych — jeśli działanie urządzenia jest zakłócone wyładowaniami elektrostatycznymi, należy go wyłączyć i ponownie włączyć lub przenieść urządzenie w inne miejsce.
28. Bateria
 - a. Bateria nie mogą być narażone na działanie nadmiernego ciepła, jak np. promieni słonecznych, ognia itp.
 - b. Podczas utylizacji baterii należy zwrócić uwagę na aspekty ochrony środowiska.
 - c. Przestroga dotycząca używania baterii: aby nie dopuścić do rozszczelnienia baterii, które może spowodować obrażenia ciała bądź uszkodzenie urządzenia:
 - Podczas wkładania baterii zwrócić uwagę na jej polaryzację (+ i -).
 - Nie wolno jednocześnie używać różnych baterii — starych i nowych baterii standardowych i alkalicznych itd.
 - Należy wyjąć baterie z urządzenia, gdy nie będą one używane przez dłuższy czas.

Uwaga dotycząca ERP2 (urządzeń związanych z energią)

Niniejsze urządzenie z ekoprojektem spełnia wymagania etapu 2 Rozporządzenia Komisji (WE) nr 1275/2008 wprowadzającego dyrektywę 2009/125/WE dotyczącą poboru energii przez wyłączone i znajdujące się w trybie czuwania urządzenia elektroniczne do zastosowań biurowych i domowych.

Po upłygnięciu 30 minut bez wejściowego sygnału audio urządzenie automatycznie przejdzie w tryb czuwania. Informacje na temat przywrócenia normalnego działania można znaleźć w instrukcji obsługi.

Ważne informacje:

Niniejsze urządzenie jest wyposażone w funkcję trybu oszczędzania energii: jeśli w ciągu 15 minut nie jest podawany do niego żaden sygnał wejściowy, urządzenie automatycznie przejdzie w tryb czuwania w celu oszczędzania energii (norma ERP 2). Należy zauważyć, że ustawienie niskiego poziomu głośności w źródle sygnału audio może zostać rozpoznane jako stan „braku sygnału audio”: może to mieć wpływ na zdolność wykrywania sygnału z urządzenia oraz spowodować automatycznie przejście w tryb czuwania. W takim wypadku należy przywrócić transmisję sygnału audio lub zwiększyć poziom głośności w źródle sygnału audio (odtwarzaczu MP3 itp.) w celu wznowienia odtwarzania. Jeśli problem nie ustąpi, prosimy o kontakt z lokalnym serwisem.

OSTRZEŻENIE

Urządzenie nie powinno być używane przez osoby (w tym dzieci) o obniżonej sprawności fizycznej, sensorycznej lub umysłowej oraz osoby z niewystarczającą wiedzą i doświadczeniem, jeśli nie znajdują się one pod nadzorem osoby odpowiedzialnej za ich bezpieczeństwo i nie zostały poinstruowane jak bezpiecznie używać urządzenia. Obecność osób dorosłych jest wymagana, jeśli urządzenie obsługują dzieci; pozwoli to zapewnić bezpieczne korzystanie z urządzenia.

1. Nie wolno pozostawić pracującego urządzenia bez nadzoru! Należy wyłączać urządzenie, gdy nie jest ono używane, nawet przez krótką chwilę.
2. Urządzenia nie wolno obsługiwać za pośrednictwem zewnętrznego zegara z układem czasowym ani za pomocą oddzielnego układu ze zdalnym sterowaniem.
3. Aby uniknąć zagrożenia w przypadku uszkodzenia przewodu zasilania, wymianę powinien wykonać producent, autoryzowany punkt serwisowy lub inna osoba posiadająca odpowiednie kwalifikacje.
4. Przed przystąpieniem do obsługi urządzenia należy sprawdzić, czy jego napięcie odpowiada napięciu występującemu w lokalnej sieci zasilającej.
5. Nie wolno zakrywać otworów wentylacyjnych urządzenia np. gazetami, obrusem, zasłonami itp. Należy upewnić się, że nad urządzeniem jest co najmniej 20 cm wolnego miejsca, a z każdej jego strony — co najmniej 5 cm.
6. Nie należy dopuszczać do tego, aby na urządzenie kapąła lub wylewała się ciecz, ani nie należy stawiać na nim przedmiotów wypełnionych cieczami, takich jak wazony.
7. Aby uniknąć pożaru lub porażenia prądem elektrycznym, należy chronić urządzenie przed gorącymi miejscami, działaniem deszczu, wilgoci i pyłu.
8. Nie wolno ustawiać urządzenia w pobliżu jakichkolwiek źródeł wody, np. kranów, wanien, pralek lub basenów pływackich. Urządzenie należy ustawić na równym i stabilnym podłożu.
9. Nie wolno narażać urządzenia na silne pole magnetyczne.
10. Nie wolno stawiać urządzenia bezpośrednio na wzmacniaczu lub amplitunerze.
11. Nie wolno stawiać urządzenia w wilgotnym miejscu, gdyż wilgoć ma szkodliwy wpływ na podzespoły elektryczne.
12. Po wniesieniu urządzenia z zimnego do ciepłego miejsca lub do wilgotnego miejsca może dojść do kondensacji wilgoci na soczewce wewnątrz odtwarzacza. W takiej sytuacji urządzenie nie będzie działać prawidłowo. Należy pozostawić włączone urządzenie na około jedną godzinę, aby umożliwić odparowanie wilgoci.
13. Nie wolno czyścić urządzenia rozpuszczalnikami chemicznymi, gdyż mogą one zniszczyć lakier obudowy. Urządzenie wyciera się czystą, suchą lub nieznacznie zwilżoną ściereczką.
14. Podczas wyciągania wtyczki z gniazdka ściennego należy zawsze ciągnąć za wtyczkę, nigdy za kabel zasilania.
15. Gdy włączone urządzenie jest używane w pobliżu włączonego telewizora, może to być źródłem zakłóceń obrazu w postaci linii na ekranie. Zależy to od pasma fal transmisji TV. Nie oznacza to nieprawidłowego działania urządzenia ani telewizora. Jeśli są widoczne takie linie, należy odsunąć urządzenie od telewizora.
16. Wtyczka sieciowa jest używana do odłączania napięcia zasilającego i powinna być zawsze dostępna.
17. Aby nie dopuścić do ewentualnej utraty słuchu, nie wolno słuchać głośno muzyki przez dłuższy czas.



UWAGA

Deklaracja



Niniejszym Blaupunkt Competence Center 2N-Everpol Sp. z o.o. oświadcza, że to urządzenie jest zgodne z wymogami i innymi odpowiednimi postanowieniami dyrektywy 2014/53 / UE. Pełną deklarację zgodności można uzyskać na stronie www.blaupunkt.com w zakładce produktu.

Podmiot odpowiedzialny: 2N-Everpol Sp. z o.o., Puławska 403A, 02-801 Warszawa, Polska, Telefon: +48 22 331 99 59, e-mail: info@everpol.pl



Produkt został wyprodukowany z wysokiej jakości materiałów i podzespołów, które można poddać recyklingowi i ponownie użyć.



Jeśli na urządzeniu znajduje się znak przekreślonego kosza na śmieci, oznacza to, że produkt jest objęty postanowieniami dyrektywy europejskiej 2012/19/EU. Należy zapoznać się z wymaganiami dotyczącymi lokalnego systemu zbiórki odpadów elektrycznych i elektronicznych. Należy postępować zgodnie z lokalnymi przepisami. Nie wolno wyrzucać tego produktu razem ze zwykłymi odpadami domowymi. Prawidłowe usunięcie starego produktu zapobiegnie potencjalnym negatywnym skutkom dla środowiska naturalnego i zdrowia ludzkiego.



Urządzenie jest wyposażone w baterie objęte dyrektywą europejską 2006/66/WE. Baterii nie wolno wyrzucać razem z odpadami gospodarstwa domowego. Należy zapoznać się z lokalnymi przepisami dotyczącymi oddzielnej zbiórki baterii, ponieważ prawidłowa utylizacja zapobiegnie potencjalnym negatywnym skutkom dla środowiska naturalnego i zdrowia ludzkiego.

Informacje o ochronie środowiska naturalnego

Opakowanie zawiera tylko niezbędne elementy. Dokończono wszelkich starań, aby trzy materiały składowe opakowania były łatwe do oddzielenia: karton (pudełko), pianka polistyrenowa (zabezpieczenia wewnątrz) i polietylen (torebki, arkusz ochronny). Urządzenie wyprodukowano z materiałów, które można poddać recyklingowi i użyć ponownie po ich demontażu przez wyspecjalizowaną firmę. Należy przestrzegać lokalnych przepisów dotyczących utylizacji materiałów opakowaniowych, zużytych baterii i niepotrzebnych urządzeń.

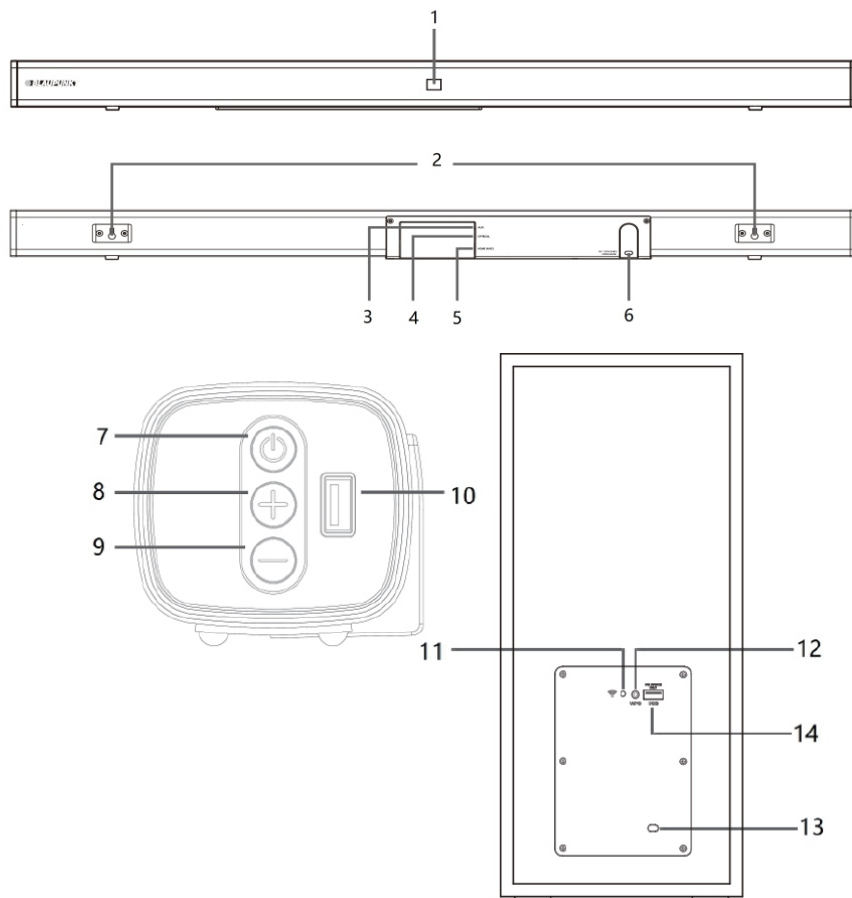
Nagrywanie i odtwarzanie materiałów może wymagać uzyskania zgody. Patrz ustawa o prawach autorskich i prawach wykonawców/artystów.



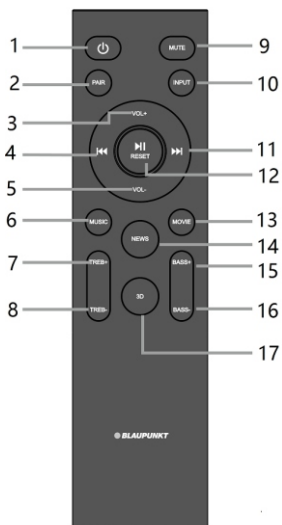
Właścicielem znaków towarowych i logo Bluetooth® jest firma Bluetooth SIG, Inc. USA. Użycie tych znaków i logo podlega licencji. Inne znaki i nazwy handlowe należą do odpowiednich właścicieli.

Dziękujemy za zakup naszego modelu, przed uruchomieniem urządzenia, prosimy o uważne przeczytanie i zapoznanie się z niniejszą instrukcją. Proszę zachować instrukcję do wykorzystania w przyszłości.

Rozmieszczenie elementów obsługi



- 1 – Wyświetlacz (BT = Bluetooth, OP = wejście optyczne, Hd = HDMI, US = USB, AU = AUX);
 2 – Wsporniki montażowe; 3 – Wejście AUX ; 4 – Wejście optyczne; 5 – Gniazdo HDMI (ARC);
 6 – Gniazdo zasilania soundbara prądem zmiennym: AC 110/240 V ~ 50/60 Hz;
 7 – Przycisk zasilania/trybu czuwania; 8 – Przycisk zwiększania poziomu głośności;
 9 – Przycisk zmniejszania poziomu głośności; 10 – Port USB do odtwarzania;
 11 – Diodowy wskaźnik stanu połączenia; 12 – Przycisk automatycznego parowania WPS;
 13 – Gniazdo zasilania subwoofera prądem zmiennym: AC 110/240v ~ 50/60HZ;
 14 – Port USB do celów serwisowych;

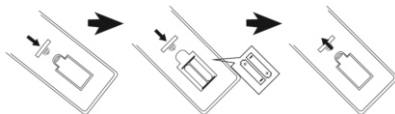


9 Pilot zdalnego sterowania

- 1 – **Przycisk zasilania:** naciśnij go, aby włączyć/wyłączyć urządzenie.
 2 – **Przycisk parowania:** Naciśnij dłużej (3 sekundy), aby odłączyć bieżące urządzenie Bluetooth i przejść w tryb gotowości, do parowania z innymi urządzeniami.
 3,5 – **Przycisk Głośność +/-:** naciśnij go, aby ustawić poziom głośności.
 4,11 – **Przycisk poprzedni/następny:** naciśnij go, aby przełączyć poprzedni/następny utwór w trybie odtwarzania Bluetooth lub USB.
 6 – **Przycisk Muzyka/13 – Przycisk Film/14 – Przycisk Wiadomości/17 – Przycisk 3D:**
 Naciśnij wybrany przycisk, aby wybrać odpowiedni tryb korektora dźwięku
 7, 8 – **Przycisk tonów wysokich +/-:** naciśnij go, aby ustawić poziom tonów wysokich.
 9 – **Przycisk wyciszenia:** naciśnij go, aby wyciszyć urządzenie, naciśnij go ponownie, aby wznowić dźwięk.
 10 – **Przycisk źródła dźwięku:** naciśnij go, aby przełączyć tryb odtwarzania między Bluetooth/wejście optyczne/HDMI/USB/AUX.
 12 – **Przycisk odtwarzania/pauzy, resetowania:** naciśnij go, aby odtworzyć lub wstrzymać muzykę w trybie Bluetooth lub USB; Dłużej naciśnij (3 sekundy), aby zresetować urządzenie, w tym głośność, korektor itp.
 15, 16 – **przycisk bas +/-:** naciśnij go, aby ustawić poziom basów.

Instalacja baterii pilota zdalnego sterowania

Otwórz komorę baterii i włóż 2 baterie AAA (w zestawie) do komory; upewnij się, że biegunowość baterii jest zgodna z dodatnim i ujemnym symbolem nadrukowanym w komorze. Następnie zamknij komorę baterii.



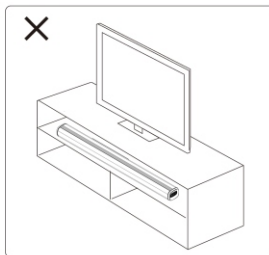
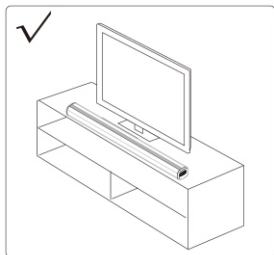
Uwagi:

- Najlepsza odległość robocza pilota zdalnego sterowania to 5 metrów, bez żadnych przeszkód pomiędzy pilotem a soundbarem. Podczas używania pilota należy go kierować na czujnik pilota zdalnego sterowania, znajdujący się z przodu soundbara.
- Czułość pilota zmniejszy się, gdy baterie zostaną rozładowane. Wówczas należy wymienić je na nowe.
- Należy wyjąć baterie w przypadku nieużywania pilota przez dłuższy czas.
- Baterie należy utylizować w sposób przyjazny dla środowiska. Aby uzyskać szczegółowe informacje, zapoznaj się z wymogami władz lokalnych.

Umieszczenie soundbara

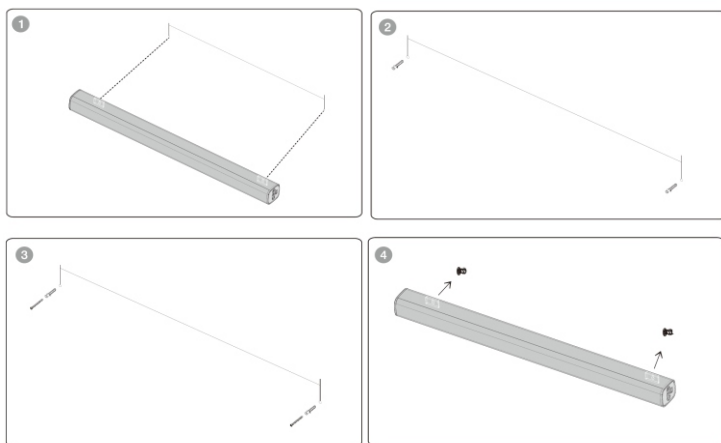
Najlepsza odległość robocza między soundbarem a bezprzewodowym subwooferem wynosi 6 metrów (maksymalny zasięg roboczy wynosi 10 metrów). Nie umieszczaj subwoofera zbyt daleko od soundbara. Soundbar można umieścić na płaskiej powierzchni lub zamontować na ścianie w następujący sposób:

- Umieść soundbar na płaskiej powierzchni: Umieść urządzenie poziomo na płaskiej powierzchni, takiej jak telewizor lub szafka i wyrównaj je centralnie z ekranem telewizora. Pozostaw trochę miejsca między głośnikiem a ścianą. Nie umieszczaj go w szafce lub półce ściiennej. Postępuj zgodnie z tymi wskazówkami, aby uzyskać najlepszą jakość dźwięku i dobry przepływ powietrza wokół soundbara.



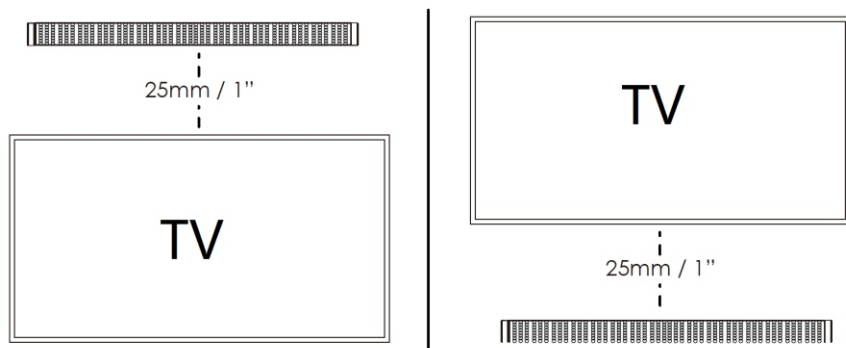
2. Montaż na ścianie:

- Przy pomocy soundbara, zaznacz ołówkiem 2 otwory na ścianie w takiej samej odległości, jak otwory we wsporniku ściennym soundbara. Następnie wywierć otwory montażowe.
- Umieść plastikowe kołki w ścianie i przykręć śruby do plastikowego klipsa, nie dokręcaj śrub do końca, upewnij się, że zostawiłeś trochę miejsca.
- Po prawidłowym dokręceniu wkrętów, zawiesz soundbar, wkładając wkręty do wspornika do montażu na ścianie.



Ostrzeżenie: Jeśli nie masz pewności co do prawidłowego i bezpiecznego montażu soundbara na ścianie, skorzystaj z pomocy doświadczonej i wykwalifikowanej osoby.

Zainstaluj głośnik na wzmocnionej powierzchni ściany. W przypadku ścian z tworzywa sztucznego zaleca się przykręcenie głośnika do słupków ściennych dla większego bezpieczeństwa. Aby uzyskać optymalną wydajność, należy zachować odległość co najmniej 25 mm/1" między soundbarem a telewizorem.

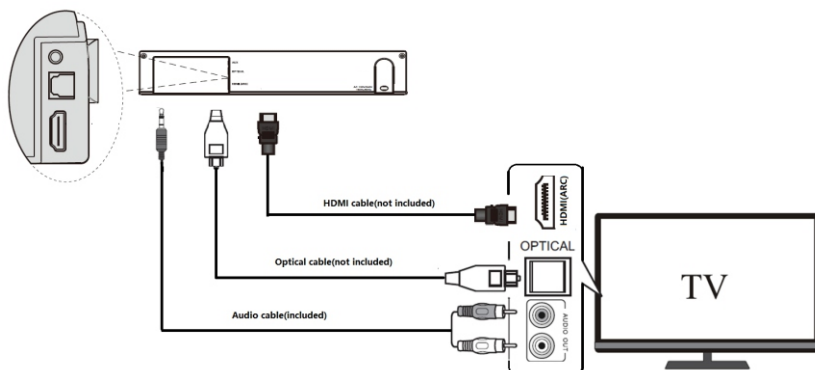


Połączenie przewodowe audio i ustawienia

Przed włączeniem soundbara proszę najpierw podłączyć urządzenie. Soundbar posiada wejścia cyfrowe (optyczne i HDMI (ARC)) oraz analogowe (AUX IN) dla różnych źródeł. Możesz zapoznać się z poniższymi instrukcjami dotyczącymi połączenia w zależności od posiadanego urządzenia.

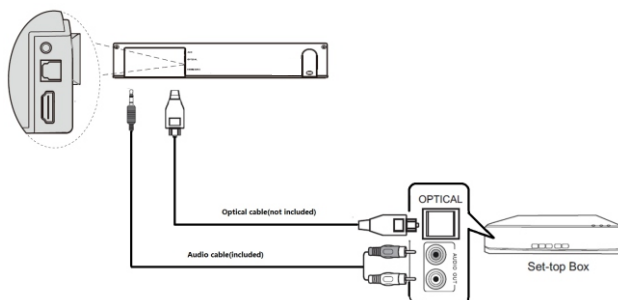
1. Połączenie soundbara z wyjściami telewizora.

Zdejmij zaślepkę ochronną z gniazda OPTICAL, a następnie za pomocą przewodu optycznego (brak w zestawie) połącz gniazdo wyjściowe OPTICAL OUT telewizora z gniazdem wejściowym OPTICAL w soundbarze. Połączenie za pomocą złącza HDMI(ARC)/AUX odbywa się w ten sam sposób.



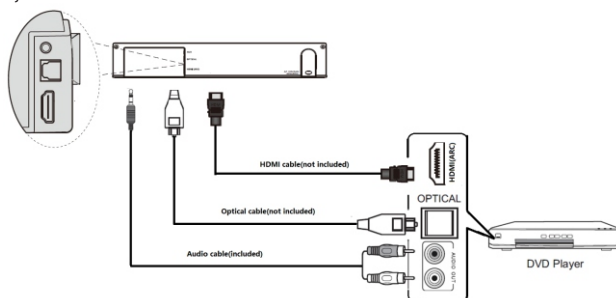
2. Połączenie soundbara z dekoderny telewizyjnym.

Sprawdź jakie wyjścia posiada twój dekodery a następnie użyj odpowiedniego przewodu, w celu połączenia dekodera z soundbarem. Do prawidłowego działania wystarczy połączenie za pomocą jednego typu złącza. Sprawdź rysunek poniżej.



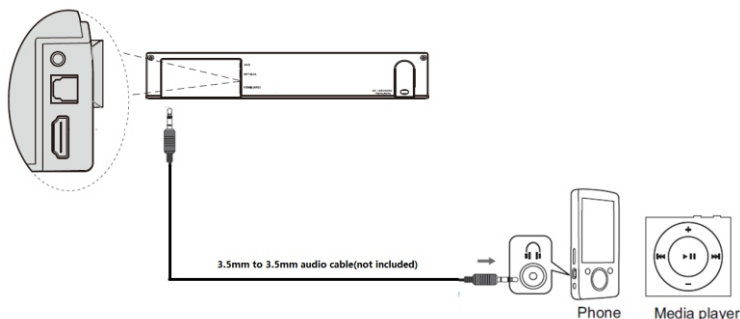
3. Połączenie soundbara z odtwarzaczem DVD lub Blue-ray DVD.

Sprawdź jakie wyjścia posiada twój odtwarzacz DVD/Blue-ray DVD, a następnie w celu połączenia odtwarzacza z soundbarem, użyj odpowiedniego przewodu. Do prawidłowego działania wystarczy połączenie za pomocą jednego typu złącza. Sprawdź rysunek poniżej:



4. Połączenie soundbara z odtwarzaczem MP3

Soundbar posiada jedno wejście MP3 Link (AUX), do którego można podłączyć dowolny odtwarzacz MP3. Użyj odpowiedniego przewodu, zakończonego wtyczkami mini-jack, zgodnie z poniższym rysunkiem.

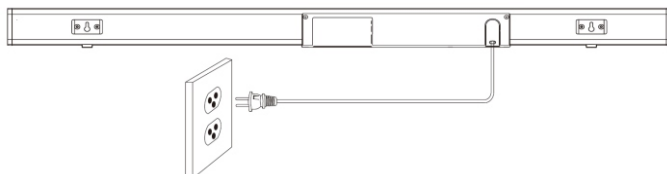


Uwaga:

1. Jeśli podczas połączenia za pomocą przewodu optycznego lub HDMI z soundbara nie wydobywa się żaden dźwięk, upewnij się, że ustawienie cyfrowego wyjścia audio urządzenia źródłowego (np. odtwarzacza DVD, konsoli gier, telewizora) jest ustawione na „PCM stereo” lub „stereo 2.0”. Zapoznaj się z instrukcją obsługi telewizora lub innego urządzenia źródłowego, w celu wykonania tej operacji.
2. HDMI (ARC): Soundbar obsługuje standard HDMI ARC. Jeśli telewizor jest zgodny ze standardem HDMI ARC (szczegółowe informacje można znaleźć w instrukcji obsługi telewizora), dźwięk z telewizora można odtwarzać za pomocą soundbara przy użyciu pojedynczego kabla HDMI (brak w zestawie). Złącze HDMI ARC w telewizorze może być inaczej oznaczone, proszę sprawdzić instrukcję obsługi telewizora.
3. Dźwięk wyjściowy w trybie optycznym i HDMI może być głośniejszy niż w trybie AUX IN, co jest normalne, ponieważ poziom cyfrowego sygnału audio może być inny, niż poziom sygnału analogowego.
4. Po poprawnym montażu i podłączeniu soundbara, używaj go zgodnie z niniejszą instrukcją obsługi.

Obsługa

Podłączenie zasilania: Sprawdź, czy źródło zasilania odpowiada specyfikacji napięcia znamionowego, która znajduje się na tylnym panelu soundbara i subwoofera. Jeśli nie pasuje, skonsultuj się ze sprzedawcą lub centrum serwisowym. Podłącz dołączoną wtyczkę zasilania AC do gniazdka ściennego, aby uzyskać źródło zasilania.



Włączanie/wyłączanie urządzenia: krótko naciśnij przycisk zasilania na soundbarze, aby włączyć urządzenie; naciśnij go kilkakrotnie, aby przełączyć źródło odtwarzania między Bluetooth/wejście optyczne/HDMI/USB/AUX; naciśnij i przytrzymaj (3 sekundy) przycisk zasilania, aby przełączyć urządzenie w tryb gotowości. Możesz również uzyskać te same funkcje, naciskając przycisk zasilania i źródła dźwięku na pilocie.

Jeśli włączymy soundbar i bezprzewodowy subwoofer, urządzenia automatycznie sparują się ze sobą w ciągu kilku sekund. Jeśli nie, spróbuj ręcznej operacji parowania, która jest opisana w dalszym rozdziale tej instrukcji.

Obsługa Bluetooth

Ten produkt posiada funkcję Bluetooth, dzięki której można bezprzewodowo odtwarzać muzykę z innego urządzenia Bluetooth (takiego jak smartfon, tablet, telewizor itp.).

1. Włącz urządzenie, naciśnij kilkakrotnie przycisk źródła dźwięku na pilocie, aby przejść do trybu Bluetooth, a symbol „BT” zacznie migać na wyświetlaczu, co oznacza, że urządzenie jest gotowe do sparowania..
2. Włącz funkcję Bluetooth w zewnętrznym urządzeniu i wyszukaj dostępne urządzenia do sparowania (proszę zapoznać się z instrukcją obsługi urządzenia zewnętrznego), a następnie sprawdź dostępne urządzenie Bluetooth na liście. Wybierz „BP LS200” do parowania. Po pomyślnym sparowaniu, na wyświetlaczu soundbara, symbol Bluetooth przestanie migać i stanie się stabilny.
3. Wybierz i odtwórz muzykę z zewnętrznego urządzenia Bluetooth, wyreguluj odpowiednio poziom głośności, a następnie dźwięk będzie odtwarzany za pomocą niniejszego soundbara.
4. W trybie Bluetooth można wykonywać takie operacje jak: wybór poprzedniego/następnego utworu, odtwarzanie/pauza, wyciszanie itp., naciskając odpowiedni przycisk na pilocie.

Uwagi:

- a. Nie gwarantujemy się pomyślnego sparowania wszystkich urządzeń Bluetooth ze względu na różne konstrukcje i marki.
- b. Najlepsza odległość robocza Bluetooth to 10 metrów bez żadnych przeszkód pomiędzy urządzeniami.
- c. Urządzenie może być sparowane i pracować tylko z jednym urządzeniem Bluetooth jednocześnie.

- d. W przypadku połączenia przychodzącego podczas odtwarzania Bluetooth, muzyka zostanie chwilowo zatrzymana i wznowiona po zakończeniu połączenia telefonicznego.
- e. Długie naciśnięcie przycisku parowania na pilocie może zakończyć bieżące połączenie urządzenia Bluetooth i rozpocząć parowanie z innym urządzeniem.

Połączenie Bluetooth z telewizorem: Jeśli telewizor posiada funkcję Bluetooth, można go bezprzewodowo połączyć z soundbarem i odtwarzać dźwięk z telewizora. Włącz funkcję Bluetooth na ekranie telewizora i wyszukaj „BP LS200” na liście urządzeń do sparowania. Aby uzyskać szczegółowe informacje, zapoznaj się z instrukcją obsługi telewizora.

Obsługa odtwarzania USB

Urządzenie posiada funkcję odtwarzania USB, która może dekodować i odtwarzać muzykę z zewnętrznej pamięci USB. Przed rozpoczęciem operacji skopijuj muzykę w formacie MP3 do pamięci USB; włóż przygotowaną pamięć USB do soundbara, tryb USB jest dostępny tylko po pomyślnym podłączeniu pamięci USB do soundbara. Następnie urządzenie automatycznie wykryje i odtworzy muzykę zapisaną w formacie MP3.

W trybie odtwarzania USB, poprzez naciśnięcie odpowiedniego przycisku na pilocie, dostępne są następujące funkcje: wybór ścieżki/odtwarzanie/pauza/korektor dźwięku/regulacja niskich i wysokich tonów itp.

Uwagi:

- Nie zaleca się podłączania pamięci USB za pomocą przedłużacza USB, ponieważ może to generować szum lub przerywany dźwięk z powodu utraty danych audio podczas przesyłania.
- Nie gwarantuje się odtwarzania wszystkich plików zapisanych w formacie MP3/WMA
- Maksymalna pojemność obsługiwanych pamięci USB wynosi do 32 GB.
- Odtwarzanie niektórych pamięci USB może zająć trochę czasu; Należy pamiętać, że nie jest to usterka.

Ręczne parowanie bezprzewodowego subwoofera z soundbarem:

Soundbar jest domyślnie sparowany z bezprzewodowym subwooferem. W przypadku problemu z połączeniem, spróbuj wykonać poniższe czynności:

- Podłącz soundbar do zasilania i włącz urządzenie, przejdź do trybu Bluetooth; wtedy soundbar jest w trybie parowania z subwooferem.
- W międzyczasie podłącz zasilanie i włącz bezprzewodowy subwoofer, niebieska dioda LED będzie powoli migać na tylnym panelu. Naciśnij i przytrzymaj (3 sekundy) przycisk WPS AUTO PAIR na tylnym panelu subwoofera. Niebieski wskaźnik LED zacznie szybko migać, oznacza to, że subwoofer jest w trakcie parowania z soundbarem.
- Po około 20-30 sekundach niebieska dioda LED subwoofera przestanie migać i stanie się stabilna, co oznacza udane sparowanie soundbara z subwooferem.
- Po pierwszym udanym sparowaniu soundbar i subwoofer będą się łączyć automatycznie.
- Bezprzewodowy subwoofer można sparować z innym soundbarem LS200SUB z tej samej partii. Powtórz powyższą operację, ale upewnij się, że podczas parowania włączony jest tylko żądany soundbar i bezprzewodowy subwoofer.

Uwaga:

- Jeśli subwoofer bezprzewodowy jest włączony, ale soundbar jest wyłączony lub znajduje się w trybie gotowości; po kilku minutach niebieski wskaźnik LED bezprzewodowego subwoofera zmieni kolor na czerwony, ponieważ jest on w trybie gotowości.
- Aby uniknąć zakłóceń jakości dźwięku, podczas używania LS200SUB, spowodowanych przez inny sygnał bezprzewodowy, należy zachować odpowiednią odległość od innego urządzenia bezprzewodowego Wi-Fi /2,4G.
- Maksymalny zasięg połączenia między soundbarem a bezprzewodowym subwooferem wynosi 10 metrów na otwartej przestrzeni, w celu zachowania jak najlepszych parametrów dźwięku sugerujemy odległość 6 metrów.

Rozwiązywanie problemów

- Głośnik nie może się włączyć.
 - Sprawdź, czy podłączenie zasilania jest prawidłowe.
- Brak dźwięku.
 - Spróbuj wyregulować poziom głośności, sprawdź przycisk wyciszania i źródło odtwarzania.
 - Skontaktuj się z centrum serwisowym w celu uzyskania pomocy, jeśli problem nadal występuje.
- Zniekształcenia dźwięku.
 - Spróbuj odtwarzać muzykę przy niższym poziomie głośności.
 - Sprawdź stan ustawienia sopranów/basów.
 - Spróbuj zmniejszyć poziom głośności w urządzeniu zewnętrznym, takim jak telewizor itp.
- Przerywany dźwięk w trybie Bluetooth.
 - Spróbuj przenieść urządzenie Bluetooth bliżej soundbara.
- Brak dźwięku w trybie optycznym lub HDMI(ARC).
 - Sprawdź, czy soundbar i urządzenie zewnętrzne są prawidłowo połączone.
 - Upewnij się, że telewizor jest zgodny ze standardem HDMI(ARC) i podłączony jest odpowiedni port. Ustaw telewizor na HDMI ARC(CEC).
 - Ustaw tryb wyjścia audio telewizora na format PCM.

6. Brak dźwięku z subwoofera.

- Naciśnij i przytrzymaj przycisk automatycznego parowania WPS na tylnym panelu subwoofera, aby zresetować i sparować bezprzewodowo z soundbarem.
- Wyłącz i włącz ponownie soundbar i subwoofer, a następnie ręcznie sparuj urządzenie zgodnie z niniejszą instrukcją.
- Skontaktuj się z centrum pomocy technicznej, jeśli problem nie ustąpi.

Specyfikacje

Ogólne

Zasilanie: AC110~240V 50/60Hz
Pobór mocy (w trybie pracy): 192 W
Pobór mocy w trybie gotowości: < 0,5W
Moc wyjściowa RMS: 160 W (40W x 2 + 80 W subwoofer)
Całkowite zniekształcenia harmoniczne: <1% (1 kHz, 1 W)
Czułość wejścia audio: 800mV
Pasma przenoszenia: 45 Hz – 20 KHz
Obsługiwane formaty dźwięku w trybie USB: MP3/WAV
Maksymalna obsługiwana pojemność pamięci USB: do 32 GB max.
Wymiary soundbara: 960 x 70 x 78 mm (szer. x wys. x gł.)
Wymiary subwoofera: 170 x 380 x 306 (szer. x wys. x gł.)

Głośniki

Impedancja i rozmiar głośników soundbara: 4Ω *4; 2,25 cala
Impedancja i rozmiar głośnika niskotonowego: 3Ω*1; 6,5 cala

Bluetooth

Wersja Bluetooth: V5.0
Zakres pracy: ok. 10 metrów
Częstotliwość transmisji: 2,402 ~ 2,480 GHz
Protokoły: A2DP/AVRCP
(Uwagi: specyfikacja produktu może ulec zmianie bez wcześniejszego powiadomienia).

Akcesoria

Pilot zdalnego sterowania x 1 szt.
Bateria do pilota zdalnego sterowania x 1 para
Instrukcja obsługi x 1 szt.
Karta gwarancyjna x 1 szt.
Kabel audio (3,5 mm stereo na RCA) x 1 szt.
Śruby do montażu na ścianie: ST4 * 45 mm x 2 szt. + plastikowe kołki montażowe x 2 szt.

DŮLEŽITÉ BEZPEČNOSTNÍ POKYNY

**Upozornění:**

Chcete-li snížit riziko úrazu elektrickým proudem, neodstraňujte kryt nebo zadní část zařízení. Uvnitř nejsou žádné prvky určené pro opravu uživatelem. Údržbou a opravami zařízení se zabývá kvalifikovaný servisní personál.

Vysvětlení grafických symbolů:

Symbol blesku se šipkou umístěn v trojúhelníku upozorňuje uživatele na přítomnost neizolovaného "nebezpečného napětí" v prostoru krytu zařízení, které může dosáhnout velikost hrozcí nebezpečí úrazu elektrickým proudem.



Symbol vykřičníku uvnitř rovnostranného trojúhelníku upozorňuje uživatele, že v této části jsou popsány důležité informace týkající se provozu a údržby zařízení v dokumentaci dodané se zařízením.

Před použitím přístroje si přečtěte tento návod, abyste se seznámili s jeho funkcemi a využili je, jak bylo zamýšleno pro zajištění dlouhé životnosti, bezporuchového provozu zařízení a radosti s používáním.

Důležité informace

- Uschovejte tento návod a bezpečnostní informace pro jejich použití v budoucnu.
- Nedovolte, aby na přístroj kapala nebo se lila tekutina.
- Nepoužívejte ve vlhkých místech, jako např. koupelny.
- Neumísťujte tento přístroj na následujících místech:
- Vystavených přímému slunečnímu záření nebo blízko radiátorů.
- Na jiná stereofonní zařízení, která generují teplo.
- Blokovat větrání nebo umísťovat v prašném prostředí.
- V prostorech vystavených otřesům.
- V prostorech s vysokou vlhkostí.
- Neumísťujte zařízení v blízkosti otevřeného ohně nebo svíčky.
- Zařízení lze použít pouze tak, jak je popsáno v tomto návodu.
- Před prvním zapnutím se ujistěte, že napájení bylo řádně připojeno.
- USB paměť se připojuje přímo nebo přes prodlužovací USB kabel s délkou do 25 cm.

Z bezpečnostních důvodů neodstraňujte kryty a nesaňte se dostat dovnitř zařízení. Přístroj by měl být opravován pouze kvalifikovaným servisním personálem. Nerozebírejte zařízení ani neotevírejte kryt, protože uvnitř nejsou žádné díly, které mohou být opraveny vlastními silami. Údržbou a opravami zařízení se zabývá výhradně kvalifikovaný servisní personál.

BEZPEČNOSTNÍ POKYNY

1. Přečtěte si pokyny - před použitím zařízení si přečtěte celý návod a bezpečnostní informace.
2. Tyto pokyny uschovejte - uschovejte návod k použití pro použití v budoucnu.
3. Dodržujte varování - dodržujte veškerá varování umístěná na zařízení a v souladu s pokyny.
4. Dodržujte pokyny - postupujte podle pokynů a návodu pro uživatele.
5. Instalace - nastavte zařízení podle pokynů výrobce.
6. Napájecí zdroj - tento produkt by měl být napájen pouze ze zdrojů uvedených na označení na napájecím kabelu. Pokud si nejste jisti, jaký typ napájení máte doma, měli byste se obrátit na svého prodejce nebo místního dodavatele elektrické energie.
7. Uzemnění nebo polarizace napájení - zařízení nemusí být uzemněno. Ujistěte se, že je zástrčka zcela zasunuta do zásuvky ve zdi nebo do prodlužovacího kabelu, aby se zabránilo odhalení kolíků a kontaktů. Některé verze zařízení mohou být vybaveny polarizovanou zástrčkou AC (s kolíkem). Tuto zástrčku lze zasunout do síťové zásuvky pouze jedním způsobem. Toto je bezpečnostní funkce. Pokud nelze vložit zástrčku do zásuvky, zkuste ji otočit. Pokud zástrčka stále nepasuje do zásuvky, požádejte elektrikáře, aby ji vyměnil. Neodstraňujte zabezpečení polarizované zástrčky. Pokud používáte prodlužovací kabel nebo kabel jiný než dodávaný s zařízením, měl/a byste mít odpovídající zástrčky a bezpečnostní osvědčení požadované ve vaší zemi.
8. Zajištění napájecího kabelu - napájecí kabely by měly být vedeny tak, aby nikdo po nich nešlapal, nestiskal a aby nedošlo k odřiznutí části zařízení předmety umístěnými vedle. Věnujte zvláštní pozornost zástrčkám, zásuvkám a místům vyznačujícím se tím, že kabely jsou vyvedeny ven ze zařízení.
9. Přetížení - Nepřetěžujte zásuvky ve zdi, prodlužovací šňůry a elektrické rozvaděče, může to mít za následek poruchu nebo úraz elektrickým proudem.
10. Větrání - Přístroj musí být řádně větran. Nepokládejte výrobek na postel, pohovku, nebo podobný povrch. Nezakrývejte zařízení ubrusy, ubrusky, novinami, atd.
11. Teplo - Neumísťujte zařízení blízko zdrojů tepla jako jsou radiátory, kamna nebo jiné přístroje (včetně zesilovačů), které produkují teplo. Nepokládejte na zařízení zapálené svíčky a jiné otevřené zdroje ohně.
12. Voda a vlhkost - aby se snížilo riziko poruchy nebo úrazu elektrickým proudem, nevystavujte přístroj působení deště, vody a vlhkosti, jako například v sauně, nebo v koupelně. Nepoužívejte toto zařízení v blízkosti vody, například u vany, umyvadla, kuchyňského dřezu nebo prádelní vany, ve vlhkém sklepě nebo v blízkosti bazény (nebo na podobných místech).
13. Objekty a kapaliny v zařízení - Nevkládejte objekty přes otvory, protože mohou přijít do styku s body nebezpečného napětí a komponenty, které mohou způsobit poruchu nebo úraz elektrickým proudem. Tekutiny by za žádných okolností neměly vzniknout na povrchu přístroje. Nepokládejte žádné předměty obsahující kapaliny na horní část zařízení.

14. Čištění – před čištěním vždy odpojte přístroj od elektrické zásuvky. Prach kolem reproduktoru lze odstranit jen suchým hadříkem. Pokud je třeba použít čisticí sprej, nesměřujte postřik ne přímo na přístroj, ale na hadřík. Dávejte pozor, aby nedošlo k poškození pohonné jednotky
15. Přídavná zařízení - nepoužívejte příslušenství, která nejsou schválena výrobcem, protože mohou představovat hrozbu.
16. Příslušenství - neumísťujte přístroj na nestabilní vozík, stojan, stativ, držák nebo stůl. Přístroj může spadnout, poškodit se a způsobit vážné zranění dětem nebo dospělým. Použití pouze s vozíkem, stojanem, trojnožkou, držákem nebo stolem, stanoveným výrobcí nebo prodáváním se zařízením. Instalace zařízení by měla být provedena v souladu s pokyny výrobce, za použití montážních sad doporučených výrobcem.
17. Stěhování zařízení - zařízení umístěné na vozíku pohybujte velmi pečlivě. Rychlé zastavení, nadměrné použití síly a nerovné povrchy mohou způsobit převrácení vozíku se zařízením.
18. Období mimo provoz - napájecí šňůra musí být odpojena od zásuvky během bouřky nebo kdy přístroj není používán po dlouhou dobu.
19. Servis - Nepokoušejte se o vlastnoruční prohlídky zařízení. Otevření krytu může způsobit nebezpečné napětí a vystavit uživatele na nebezpečí. Údržbu a opravy a opravy zařízení se zabývá výhradně kvalifikovaný servisní personál.
20. Pokud nepoužíváte zařízení, odpojte napájecí kabel od zásuvky ve zdi. Pokud je zařízení připojeno ke zdroji napájení, je v pohotovostním režimu a není zcela vyloučeno.
21. Náhradní díly - při výměně dílů, zkontrolujte, zda zaměstnanec servisu použil náhradní díly specifikované výrobcem, nebo díly stejné jako původní. Výměna za neschválené díly hrozí poruchou, úrazem elektrickým proudem nebo jiným nebezpečím.
22. Hlavní pojistky – pro kontinuální zabezpečení zařízení před ohněm, použijte pojistky správného typu a parametrů. Parametry pojistky v rozsahu napětí jsou vyznačeny na přístroji.
23. Nezvyšujte hlasitost při poslechu skladby malé hlasitosti nebo v nepřítomnosti vstupního zvukového signálu. V opačném případě může dojít k poškození reproduktoru při rychlém zvýšení síly signálu.
24. Jediným způsobem, odpojení zařízení od zdroje elektrické energie je odpojení napájecího kabelu od elektrické zásuvky nebo od zařízení. Zásuvka nebo vstupní napájecí kabel k zařízení musí být vždy k dispozici při používání výrobku.
25. Zařízení by mělo být instalováno v blízkosti elektrické zásuvky nebo prodlužovačky a to takovým způsobem, aby bylo vždy k dispozici.
26. Maximální okolní teplota zařízení je 35 °C
27. Pokyny týkající se elektrostatických výbojů - v případě, že činnost zařízení je narušena elektrostatickými výboji, vypněte jej a opětovně zapnete nebo přemístíte přístroj do jiného místa.
28. Baterie
 - A. Baterie nesmí být vystaveny nadměrnému teplu, jako je sluneční záření, oheň atd.
 - B. Při likvidaci baterie, věnujte pozornost environmentálním aspektům.
 - C. Upozornění týkající se používání baterií: aby se zabránilo úniku baterie, což může mít za následek zranění nebo poškození zařízení:
 - Při vkládání baterií dbejte na správnou polaritu (+ a -).
 - Nepoužívejte různé baterie najednou - staré a nové baterie, standardní a alkalické apod.
 - Vyjměte baterie z přístroje, když není používán po delší dobu

Poznámka o ERP2 (zařízení související se spotřebou energie)

Toto zařízení s ekodesignem je v souladu s požadavky části 2 nařízení Komise (ES) 1275/2008 ke směrnici 2009/125/ES o spotřebě energie kterým se provádí směrnice Evropského parlamentu a Rady 2005/32/ES, pokud jde o požadavky na ekodesign z hlediska spotřeby elektrické energie elektrických a elektronických zařízení určených pro domácnosti a kanceláře v pohotovostním režimu a ve vypnutém stavu. Po uplynutí 30 minut bez vstupního audio signálu zařízení se automaticky přepne do pohotovostního režimu. Informace o obnovení normálního provozu lze nalézt v příručce.

Důležité informace:

Tento přístroj je vybaven režimem pro úsporu energie: pokud v rámci 15 minut nebude automaticky podán žádný vstupní signál, přístroj přejde do pohotovostního režimu, aby šetřil energii (ERP standard 2). Je třeba poznamenat, že nízké nastavení hlasitosti ve zdroji audio signálu může být rozpoznáno jako stav "bez zvuku", což může ovlivnit vaši schopnost detekování signálu ze zařízení a způsobit automaticky posun do pohotovostního režimu. V tomto případě, obnovte přenos zvuku a zvýšete hlasitost zdroje zvuku (MP3 přehrávač atd.), pro obnovení přehrávání. Pokud problém přetrvává, obraťte se na místní servisní středisko.

VAROVÁNÍ

Přístroj by neměl být používán osobami (včetně dětí) s fyzickým, smyslovým nebo mentálním postižením a osobami s nedostatečnými znalostmi a zkušenostmi, pokud nejsou pod dohledem osoby odpovědné za jejich bezpečnost a nebyly poučeny, jak bezpečně používat zařízení. Přítomnost dospělých je nutná v případě, že zařízení obsluhuje děti; to umožní zajištění bezpečného provozu zařízení.

1. Nikdy nenechávejte zařízení běžet bez dozoru! Vypněte zařízení, pokud jej nepoužíváte, a to i na krátkou dobu.
2. Neprovodujte přístroj přes externí časovač nebo samostatný systém dálkového ovládní.
3. Aby se zabránilo nebezpečí, v případě poškození napájecího kabelu výměnu by měl dělat výrobce, autorizovaný poskytovatel služeb nebo jiná osoba, mající příslušné kvalifikace.
4. Před použitím zařízení zkontrolujte, zda napětí odpovídá napětí vyskytujícímu se v místní síti.
5. Nezakrývejte větrací otvory novinami, ubrusy, záclonami, atd. Ujistěte se, že nad přístrojem je alespoň 20 cm volného prostoru, a z každé strany - nejméně 5 cm.
6. Nedovolte, aby na přístroj kapaly nebo se lily tekutiny a nepokládejte na něj předměty naplněné kapalinami, jako například vázy.

7. Aby nedošlo k poruše nebo k úrazu elektrickým proudem, nevystavujte zařízení na horká místa, na dešť, vlhkost a prach.
8. Nepokládejte zařízení do blízkosti zdrojů vody, jako jsou kohoutky, vany, pračky nebo bazény. Umístěte zařízení na plochy stabilní povrch.
9. Nevystavujte silnému magnetickému poli.
10. Nepokládejte zařízení přímo na zesilovači nebo přijímači.
11. Nepokládejte přístroj na vlhka místa, protože vlhkost poškozuje elektrické součásti.
12. Přenos zařízení z chladného do teplého prostředí nebo do vlhkého prostoru může vést ke kondenzaci vlhkosti na čočce uvnitř přehrávače. V takové situaci, přístroj nebude pracovat správně. Nechte součásti v přístroji po dobu jedné hodiny pro odpařování vlhkosti.
13. Nečistěte zařízení chemickými rozpouštědly, protože mohou zničit lak skříně. Přístroj se čistí čistým, suchým nebo mírně vlhkým hadříkem.
14. Při odpojování ze zásuvky vždy tahejte za zástrčku, ne za kabel.
15. Když se zapnutý přístroj používá v blízkosti zapnutého televizoru, může být zdrojem narušení obrazu v podobě čar na obrazovce. Kvalita obrazu závisí na vlnovém pásmu TV vysílání. Tento jev neznamená poruchu zařízení nebo televizoru. Vidíte-li tyto čáry, umístěte přístroj do větší vzdálenosti od televizoru.
16. Síťová zástrčka se používá k odpojení napájení a měla by být vždy k dispozici.
17. Chcete-li zabránit možné ztrátě sluchu, neposlouchejte hudbu delší dobu nahlas.

**POZOR**

Prohlášení o shodě

Blaupunkt Competence Center 2N-Everpol Sp. z o.o. tímto prohlašuje, že je toto zařízení v souladu se základními požadavky a dalšími příslušnými ustanoveními směrnice 2014/53 / EU. Prohlášení o shodě lze získat ze stránky produktu na www.blaupunkt.com.

Odpovědná strana: 2N-Everpol Sp. z o.o., Puławska 403A, 02-801 Varšava, Polsko, Tel: +48 22 331 99 59, E-mail: info@everpol.pl



Naše produkty jsou navrženy a vyrobeny z vysoce kvalitních materiálů a komponent, které jsou recyklovatelné a znovu použitelné.



Je-li tento symbol přeškrtnutého kontejneru uveden na výrobku, znamená to, že výrobek podléhá směrnici 2012/19/EU. Informujte se prosím o místní systém sběru tříděného odpadu pro elektrické a elektronické výrobky. Prosím řiďte se místními pravidly a nelikvidujte staré produkty spolu s běžným komunálním odpadem. Správnou likvidaci starého výrobku pomůžete předejít možným negativním dopadům na životní prostředí a lidské zdraví.



Výrobek obsahuje baterie podléhající směrnici 2006/66/EC, které nelze vyhazovat do běžného domovního odpadu. Informujte se prosím o místních pravidlech o sběru baterií, neboť správnou likvidací pomůžete předcházet negativním důsledkům pro ČESKÝ životní prostředí a lidské zdraví.

Informace týkající se životního prostředí

Výrobek je zabalen pouze v nezbytném obalu pro jeho ochranu. Snahou naší firmy je, aby byl obalový materiál snadno rozdělitelný na tři materiály: lepenku (krabice), polystyrén (ochranné balení) a polyethylen (sáčky, ochranné fólie z lehčeného plastu). Výrobek se skládá z materiálů, které lze recyklovat a znovu použít v případě demontáže odbornou firmou. Dodržujte prosím místní předpisy týkající se likvidace obalových materiálů, vybitých baterií a starého zařízení.

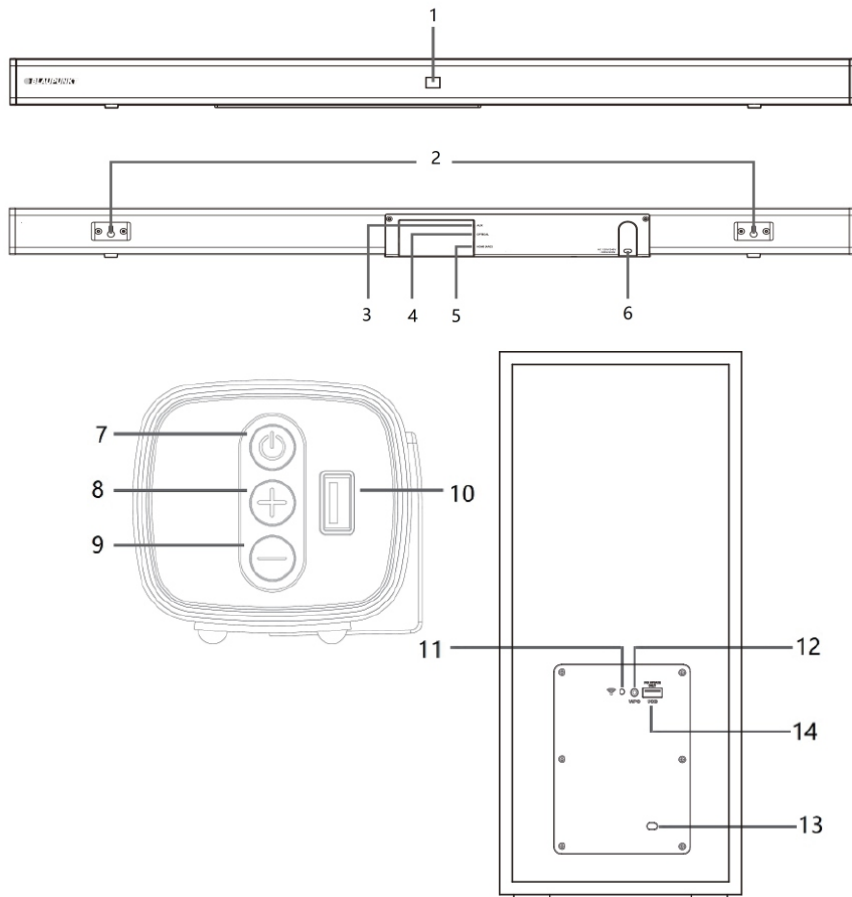
Na nahrávání a přehrávání materiálů může být vyžadován souhlas. Viz Zákon o Copyrightu Act 1956 a Zákon na ochranu umělců Sk 1958-1972.



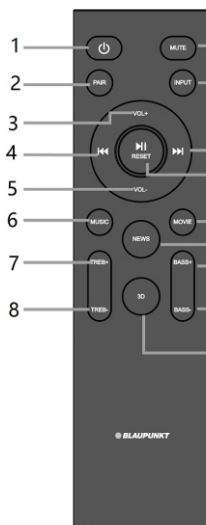
Bluetooth® název i logo jsou registrované obchodní známky společnosti Bluetooth SIG, Inc. a její použití je zatížené licencí. Ostatní obchodní známky a jména jsou vlastněny jejich vlastníky.

Děkujeme za nákup našeho modelu, před spuštěním zařízení si prosím pečlivě přečtěte a seznamte se s touto příručkou. Uchovejte prosím tuto příručku pro budoucí použití.

Uspořádání ovládacích prvků



- 1 - Displej (BT = Bluetooth, OP = optický vstup, Hd = HDMI, USA = USB, AU = AUX);
 2 - Montážní konzoly; 3 - Vstup AUX; 4 - Optický vstup; 5 - Port HDMI (ARC);
 6 - Konektor napájení / soundbaru střídavým proudem: AC 110/240V ~ 50/60 Hz;
 7 - Tlačítko napájení / pohotovostního režimu; 8 - Tlačítko zvýšení hlasitosti;
 9 - Tlačítko snížení hlasitosti; 10 - USB port pro přehrávání;
 11 - LED indikátor stavu připojení; 12 - Tlačítko automatického párování WPS;
 13 - Zásuvka napájení subwooferu střídavým proudem: AC 110 / 240v ~ 50 / 60Hz;
 14 - USB port pro servisní účely;

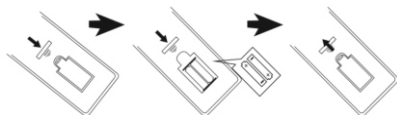


9 Dálkový ovládač

- 1 - **Tlačítko napájení**: stisknutím zapnete / vypnete zařízení.
 2 - **Tlačítko párování**: Dlouhým stisknutím (3 sekundy) odpojte aktuální zařízení Bluetooth a přejdete do pohotovostního režimu pro spárování s dalšími zařízeními.
 3, 5 - **Tlačítko Hlasitost +/-**: stisknutím nastavíte úroveň hlasitosti.
 4, 11 - **Tlačítko předchozí / další**: stisknutím přepnete na předchozí / další skladbu v režimu přehrávání Bluetooth nebo USB.
 6 - **Tlačítko Hudba** / 13 - **Tlačítko Film** / 14 - **Tlačítko Zprávy** / 17 - **Tlačítko 3D**: Stisknutím vybraného tlačítka vyberte příslušný režim ekvalizéru
 7, 8 - **Tlačítko vysokých tónů +/-**: stisknutím nastavíte úroveň výšek.
 9 - **Tlačítko ztlumit**: stisknutím tlačítka ztlumíte zařízení, dalším stisknutím obnovíte zvuk.
 10 - **Tlačítko zdroje zvuku**: jeho stisknutím přepnete režim přehrávání mezi Bluetooth / optickým vstupem / HDMI / USB / AUX.
 12 - **Tlačítko přehrát / pozastavit, reset**: Stisknutím tohoto tlačítka spustíte nebo pozastavíte hudbu v režimu Bluetooth nebo USB; Dlouhým stisknutím (3 sekundy) resetujete zařízení, včetně hlasitosti, ekvalizéru atd.
 15, 16 - **tlačítko basů +/-**: stisknutím nastavíte úroveň basů.

Instalace baterií do dálkového ovládače

Otevřete přihrádku na baterie a vložte 2 AAA baterie (v sadě) do přihrádky; ujistěte se, že polarita baterií odpovídá kladnému a zápornému symbolu vytištěnému uvnitř přihrádky. Následně zavřete přihrádku na baterie.



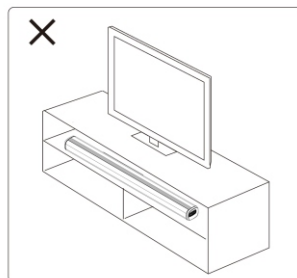
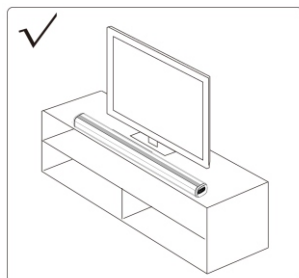
Upozornění:

- Nejlepší pracovní vzdálenost pro dálkové ovládání je 5 metrů, bez překážek mezi dálkovým ovládáním a soundbarem. Pokud používáte dálkový ovladač, nasměrujte jej na senzor dálkového ovládače na přední straně soundbaru.
 - Po vybití baterií se citlivost dálkového ovládače snižuje. V tom případě je nutné vyměnit baterie na nové.
 - Pokud nebudete dálkový ovladač delší dobu používat, vyjměte baterie.
- d. Baterie musí být zlikvidovány ekologickým způsobem. Podrobné informace naleznete v požadavcích místních úřadů.

Umístění soundbaru

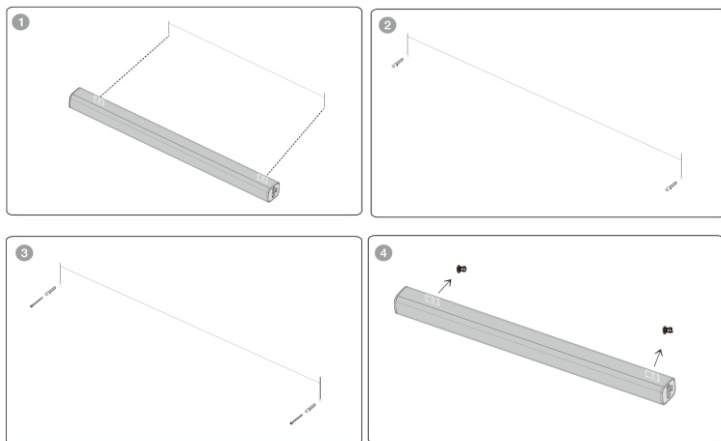
Nejlepší pracovní vzdálenost mezi soundbarem a bezdrátovým subwooferem je 6 metrů (maximální pracovní vzdálenost je 10 metrů). Neumísťujte subwoofer příliš daleko od soundbaru. Soundbar lze umístit na rovný povrch nebo připevnit na zeď následujícím způsobem:

- Umístěte soundbar na plochý povrch**: Umístěte zařízení vodorovně na plochý povrch, například na televizor nebo skříň, a vyrovnejte v ose obrazovky televizoru. Mezi reproduktorem a stěnou ponechte určitý prostor. Neumísťujte je do skříně nebo na nástěnnou polici. Postupujte podle těchto tipů a dosáhnete nejlepší kvalitu zvuku a dobré proudění vzduchu kolem soundbaru.



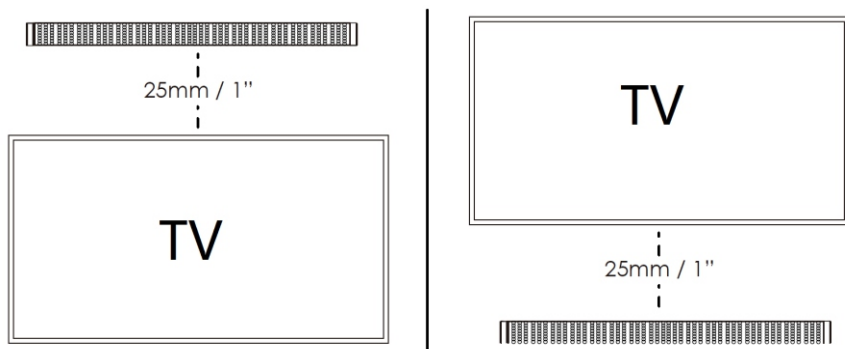
2. Montáž na zeď:

- S pomocí soundbaru označte tužkou 2 otvory ve stěně ve stejné vzdálenosti jako otvory v nástěnném držáku soundbaru. Následně vyvrtejte montážní otvory.
- Vložte plastové hmoždinky do zdi a zašroubujte šrouby do plastové spony, šrouby neutahujte úplně, ujistěte se, že máte dostatek místa.
- Po řádném dotažení vrutů zavěste Soundbar zasunutím vrutů do nástěnného držáku.



Upozornění: Pokud si nejste jisti, jak správně a bezpečně připevnit soundbar ke zdi, vyhledejte pomoc zkušené a kvalifikované osoby.

Namontujte reproduktor na vyztužený povrch stěny. V případě plastových stěn se pro větší bezpečnost doporučuje přišroubovat reproduktor ke sloupkům ve stěnách. Pro dosažení optimálního výkonu, udržujte vzdálenost mezi soundbarem a televizorem nejméně 25 mm / 1" .

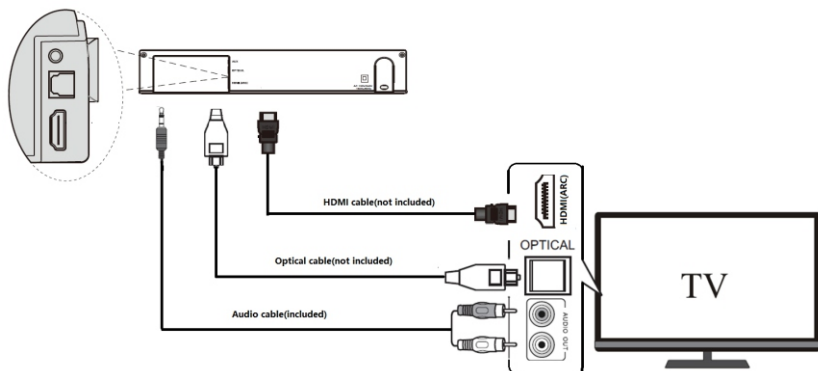


Kabelové audio připojení a nastavení

Před zapnutím soundbaru nejprve připojte zařízení. Soundbar má digitální (optické a HDMI (ARC)) a analogové (AUX IN) vstupy pro různé zdroje. V závislosti na Vašem zařízení se můžete řídit níže uvedenými pokyny pro připojení.

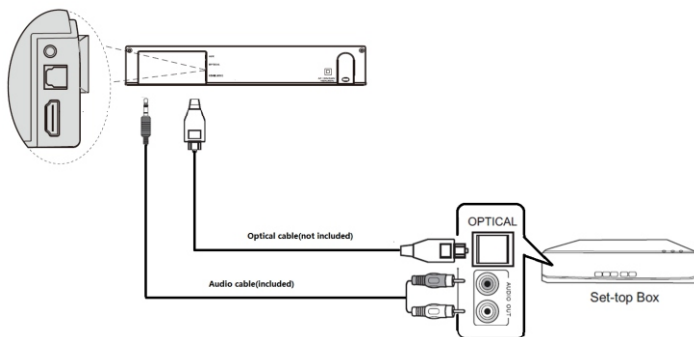
1. Připojte soundbar k výstupům televizoru.

Sejměte ochranný kryt z konektoru OPTICAL a následně pomocí optického kabelu (není součástí dodávky) propojte konektor OPTICAL OUT televizoru se vstupním konektorem OPTICAL na soundbaru. Připojení pomocí konektoru HDMI (ARC)/AUX probíhá stejným způsobem.



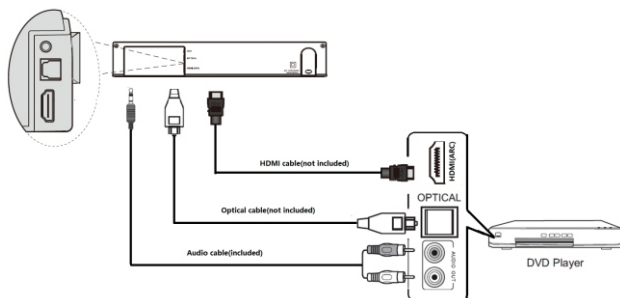
2. Připojení soundbaru k televiznímu dekodéru.

Zkontrolujte, jaké výstupy má váš dekodér, a následně pomocí příslušného kabelu připojte dekodér k soundbaru. Pro správné fungování vystačí soundbar připojit pouze jedním typem konektoru. Prohlédněte si níže uvedený výkres.



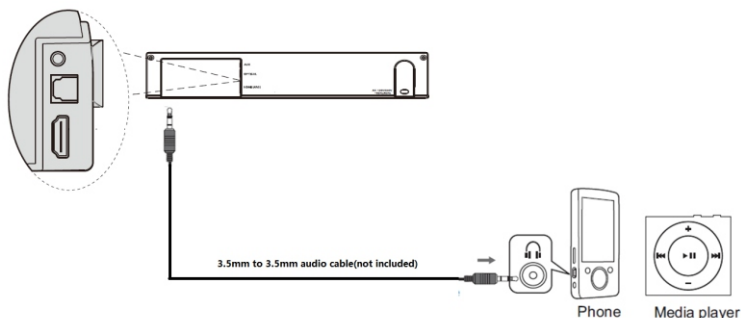
3. Připojení soundbaru k DVD nebo Blu-Ray DVD přehrávači.

Zkontrolujte, jaké výstupy má váš DVD / Blu-Ray DVD přehrávač, a následně pomocí příslušného kabelu připojte přehrávač k soundbaru. Pro správné fungování vystačí soundbar připojit pouze jedním typem konektoru. Prohlédněte si níže uvedený výkres:



4. Připojení soundbaru k MP3 přehrávači

Soundbar má jeden vstup MP3 Link (AUX), ke kterému lze připojit jakýkoli MP3 přehrávač. Použijte vhodný kabel zakončený zástrčkami mini-jack, jak je znázorněno na obrázku níže.

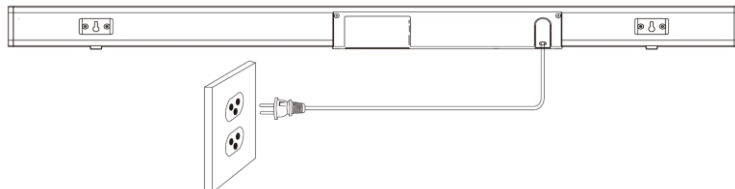


Upozornění:

1. Pokud ze soundbaru při připojení optickým nebo HDMI kabelem nevychází žádný zvuk, ujistěte se, že je nastavení digitálního zvukového výstupu vašeho zdrojového zařízení (např. DVD přehrávače, herní konzoly, televizoru) nastaveno na „PCM stereo“ nebo „stereo 2.0“. Návod k provedení této operaci najdete v provozních pokynech k televizoru nebo jinému zdrojovému zařízení.
2. HDMI(ARC): Soundbar podporuje standard HDMI ARC. Pokud je televizor kompatibilní s HDMI ARC (podrobnosti najdete v uživatelské příručce k televizoru), zvuk z televizoru můžete přehrávat prostřednictvím soundbaru pomocí jediného kabelu HDMI (není součástí dodávky). Konektor HDMI ARC na vašem televizoru může být označen odlišně, zkontrolujte si uživatelskou příručku k televizoru.
3. Zvukový výstup v optickém a HDMI režimu může být hlasitější než v režimu AUX IN, což je normální, jelikož se úroveň digitálního zvukového signálu může lišit od úrovně analogového signálu.
4. Po správné montáži a připojení soundbaru jej používejte v souladu s touto uživatelskou příručkou.

Obsluha

Připojení napájení: Zkontrolujte, zda zdroj napájení odpovídá specifikaci jmenovitého napětí uvedené na zadním panelu soundbaru a subwooferu. Pokud se neshoduje, kontaktujte prodejce nebo servisní centrum. Příloženou síťovou zástrčku zapojte do zásuvky ve stěně, za účelem napájení zařízení.



Zapnutí / vypnutí zařízení: zařízení zapnete krátkým stisknutím tlačítka napájení na soundbaru; opakovaným stisknutím přepnete zdroj přehrávání mezi Bluetooth / optickým vstupem / HDMI / USB / AUX; stisknutím a podržením (3 sekundy) tlačítka napájení přepnete zařízení do pohotovostního režimu. Stejně funkce můžete získat rovněž stisknutím tlačítka napájení a zdroje zvuku na dálkovém ovladači.

Pokud zapneme soundbar a bezdrátový subwoofer, zařízení se po několika sekundách automaticky spárují. Pokud ne, vyzkoušejte ruční párování popsané dále v této příručce.

Obsluha Bluetooth

Tento produkt je vybaven funkcí Bluetooth, která vám umožňuje bezdrátově přehrávat hudbu z jiného zařízení Bluetooth (například chytrého telefonu, tabletu, televizoru atd.)

1. Zapněte zařízení, opakovaným stisknutím tlačítka zdroje zvuku na dálkovém ovladači přejděte do režimu Bluetooth. Na displeji začne blikat symbol „BT“, což znamená, že je zařízení připraveno k párování.
2. Zapněte funkci Bluetooth v externím zařízení a vyhledejte zařízení dostupná pro párování (seznamte se s uživatelskou příručkou externího zařízení) a následně zkontrolujte dostupná Bluetooth zařízení v seznamu. Pro párování vyberte „BP LS200“. Po úspěšném párování přestane symbol Bluetooth na displeji soundbaru blikat a bude svítit trvale.
3. Vyberte a přehrávejte hudbu z externího zařízení Bluetooth, odpovídajícím způsobem upravte hlasitost, zvuk bude vycházet z tohoto zvukového panelu.
4. V režimu Bluetooth můžete stisknutím příslušného tlačítka na dálkovém ovladači provádět operace, jako je výběr zledchzení / následující skladby, přehrávání / pozastavení, tlumění atd.

Upozornění:

- a. Párování není zaručeno u všech Bluetooth zařízení vzhledem k různým konstrukcím a značkám.
- b. Nejlepší pracovní vzdálenost pro Bluetooth je 10 metrů bez jakýchkoli překážek mezi zařízeními.
- c. Zařízení může být spárováno a může spolupracovat najednou pouze s jedním Bluetooth zařízením.

d. Při příchodím hovoru během přehrávání Bluetooth bude hudba dočasně pozastavena a obnovena po ukončení telefonního hovoru.

e. Dlouhým stisknutím tlačítka párování na dálkovém ovladači můžete ukončit aktuální spojení Bluetooth zařízení a zahájit párování s jiným zařízením.

Připojení Bluetooth k televizoru: Pokud má televizor funkci Bluetooth, můžete jej bezdrátově připojit k soundbaru a přehrávat zvuk z televizoru. Zapněte funkci Bluetooth na obrazovce televizoru a v seznamu zařízení pro párování vyhledejte „BP LS200“. Podrobné informace najdete v uživatelské příručce k televizoru.

Obsluha přehrávání USB

Zařízení má funkci přehrávání USB, která umožňuje dekodovat a přehrávat hudbu z externího paměťového zařízení USB. Před zahájením operace zkontrolujte hudbu ve formátu MP3 do paměti USB; vložte připravenou USB paměť do soundbaru, režim USB je k dispozici až po úspěšném připojení USB paměti k soundbaru. Zařízení automaticky rozezná a bude přehrávat hudbu zapsanou ve formátu MP3.

V režimu přehrávání USB jsou stisknutím příslušného tlačítka na dálkovém ovladači k dispozici následující funkce: výběr stopy / přehrávání / pauza / ekvalizér / nastavení basů a výšek atd.

Upozornění:

a. Nedoporučuje se připojovat paměť USB pomocí prodlužovacího kabelu USB, jelikož by to mohlo generovat šum nebo přerušovaný zvuk vzhledem ke ztrátě zvukových dat během přenosu.

b. Nelze zaručit přehrávání všech souborů uložených ve formátu MP3 / WMA

c. Maximální objem podporovaných USB pamětí činí až 32 GB.

d. Přehrávání některých USB pamětí může nějakou dobu trvat; Pamatujte, že se nejedná o závadu.

Ruční párování bezdrátového subwooferu se soundbarem:

Soundbar je ve výchozím nastavení spárován s bezdrátovým subwooferem. Pokud však dojde k problémům s připojením, vyzkoušejte následující:

a. Připojte soundbar k napájení a zapněte zařízení, přejděte do režimu Bluetooth; soundbar je v režimu párování se subwooferem.

b. Mezitím připojte napájení a zapněte bezdrátový subwoofer, modrá dioda LED bude pomalu blikat na zadním panelu.

Stisknete a podržte (3 sekundy) tlačítko WPS AUTO PAIR na zadním panelu subwooferu. Modrá LED kontrolka začne rychle blikat, což znamená, že se subwoofer páruje se soundbarem.

c. Asi po 20–30 sekundách přestane modrá dioda LED na subwooferu blikat a bude svítit stálým světlem, což znamená, že byl soundbar úspěšně spárován se subwooferem.

d. Po prvním úspěšném spárování se soundbar a subwoofer budou spojovat automaticky.

e. Bezdrátový subwoofer lze spárovat s dalším soundbarem LS200SUB ze stejné série. Výše uvedený postup opakujte, ale ujistěte se, že je během párování zapnutý pouze požadovaný soundbar a bezdrátový subwoofer.

Upozornění:

a. Pokud je bezdrátový subwoofer zapnutý, ale soundbar je vypnutý nebo v pohotovostním režimu; po několika minutách se modrý indikátor LED bezdrátového subwooferu rozsvítí červeně, jelikož je v pohotovostním režimu.

b. Abyste se vyhnuli rušení kvality zvuku při používání LS200SUB, způsobeného jiným bezdrátovým signálem, udržujte dostatečnou vzdálenost od jiného bezdrátového zařízení Wi-Fi / 2,4G.

c. Maximální dosah připojení mezi soundbarem a bezdrátovým subwooferem je 10 metrů na volném prostranství, aby byl zachován nejlepší zvukový výkon, doporučujeme vzdálenost 6 metrů.

Řešení problémů

1. Reproduktor nelze zapnout.

a. Zkontrolujte, zda je správně připojeno napájení.

2. Žádný zvuk.

a. Zkuste upravit hlasitost, zkontrolujte tlačítko ztlumení a zdroj přehrávání.

b. Pokud problém přetrvává, požádejte o pomoc servisní středisko.

3. Zkreslení zvuku.

a. Zkuste hudbu přehrávat s nižší úrovní hlasitosti

b. Zkontrolujte stav nastavení výšek / basů.

c. Zkuste snížit hlasitost na externím zařízení, jako je televizor atd.

4. Přerušovaný zvuk v režimu Bluetooth.

a. Zkuste přesunout zařízení Bluetooth blíže k soundbaru.

5. V optickém nebo HDMI (ARC) režimu není zvuk.

a. Zkontrolujte, zda jsou soundbar a externí zařízení správně připojeny.

b. Zkontrolujte, zda je televizor kompatibilní s HDMI (ARC) a zda je připojen správný port. Nastavte televizor na HDMI ARC (CEC).

c. Nastavte režim výstupu zvuku televizoru na formát PCM.

6. Ze subwooferu nevychází žádný zvuk.

- Stisknutím a podržením tlačítka automatického párování WPS na zadním panelu subwooferu jej resetujete a bezdrátově spárujete se soundbarem.
- Vypněte a znovu zapněte soundbar a subwoofer a následně ručně spárujte zařízení podle této příručky.
- Pokud problém přetrvává, kontaktujte centrum technické podpory.

Specifikace

Všeobecné

Napájení: AC 110 ~ 240V 50 / 60Hz

Spotřeba energie (v provozním režimu): 192 W.

Spotřeba energie v pohotovostním režimu: < 0,5 W.

Výkon RMS: 160 W (40 W x 2 + 80 W subwoofer)

Celkové harmonické zkreslení: < 1% (1 kHz, 1 W)

Citlivost vstupu audio: 800 mV

Frekvenční rozsah: 45 Hz - 20 KHz

Podporované zvukové formáty v režimu USB: MP3 / WAV

Maximální podporovaná kapacita USB paměti: max. 32 GB

Rozměry soundbaru: 960 x 70 x 78 mm (šířka x výška x hloubka)

Rozměry subwooferu: 170 x 380 x 306 (šířka x výška x hloubka)

Reproduktory

Impedance a velikost reproduktorů soundbaru: 4Ω * 4; 2,25 palce

Impedance a velikost basového reproduktoru: 3Ω * 1; 6,5 palce

Bluetooth

Verze Bluetooth: V5.0

Pracovní dosah: asi 10 metrů

Přenosová frekvence: 2,402 ~ 2,480 GHz

Protokoly: A2DP / AVRCP

(Upozornění: specifikace produktu se může změnit bez předchozího upozornění).

Příslušenství

Dálkové ovládání x 1 ks

Baterie do dálkového ovládání x 1 pár

Uživatelská příručka x 1 ks

Záruční list x 1 ks

Audíio kabel (3,5 mm stereo na RCA) x 1 ks

Šrouby pro montáž na zeď: ST4 * 45 mm x 2 ks

+ plastové montážní hmoždinky x 2 ks

DŮLEŽITÉ BEZPEČNOSTNÉ POKYNY

UPOZORNENIE

 Nebezpečenstvo úrazu elektrickým prúdom
NEOTVÁRAŤ

Upozornenie:

Ak chcete znížiť riziko úrazu elektrickým prúdom, neodstraňujte kryt alebo zadnú časť zariadenia. Vnútri nie sú žiadne prvky určené na opravu používateľom. Údržbou a opravami zariadení sa zaoberá len kvalifikovaný servisný personál.

Vysvetlenie grafických symbolov:


Symbol blesku so šípkou umiestnený v trojuholníku upozorňuje užívateľa na prítomnosť neizolovaného "nebezpečného napätia" v priestore krytu zariadenia, ktoré môže dosiahnuť veľkosť hroziacu nebezpečenstvo úrazu elektrickým prúdom.



Výkričník vo vnútri rovnostranného trojuholníka upozorňuje užívateľa, že v tejto časti sú popísané dôležité informácie týkajúce sa prevádzky a údržby zariadení v dokumentácii dodanej so zariadením.

Pred použitím prístroja si prečítajte tento návod, aby ste sa oboznámili s jeho funkciami a využili je, ako bolo zamýšľané pre zaistenie dlhšej životnosti, bezporuchovej prevádzky zariadenia a radosti s použitia.

Dôležité informácie

- Ušchovajte tento návod a bezpečnostné informácie pre ich použitie v budúcnosti.
- Nedovoľte, aby na prístroj kvapkala alebo sa lila tekutina.
- Nepoužívajte vo vlhkých miestach, ako napr kúpeľne.
- Neumiestňujte tento prístroj na nasledujúcich miestach:
 - Vystavených priamemu slnečnému žiareniu alebo blízko radiátorov.
 - Na iné stereofónne zariadenie, ktoré generujú teplo.
 - Blokovať vetranie alebo umiestňovať v prašnom prostredí.
 - V priestoroch vystavených otrasom.
 - V priestoroch s vysokou vlhkosťou.
- Neumiestňujte zariadenie v blízkosti otvoreného ohňa alebo sviečky.
- Zariadenie je možné použiť iba tak, ako je popísané v tomto návode.
- Pred prvým zapnutím sa uistite, že napájanie bolo správne pripojené.
- USB pamäť sa pripája priamo alebo cez predlžovací USB kábel s dĺžkou do 25 cm.

Z bezpečnostných dôvodov neodstraňujte kryty a nesnažte sa dostať dovnútra zariadenia. Prístroj by mal byť opravovaný iba kvalifikovaným servisným personálom. Nerozoberajte zariadenie ani neotvárajte kryt, pretože vo vnútri nie sú žiadne diely, ktoré môžu byť opravené vlastnými silami. Údržbou a opravami zariadení sa zaoberá výhradne kvalifikovaný servisný personál.

BEZPEČNOSTNÉ POKYNY

1. Prečítajte si pokyny - pred použitím zariadenia si prečítajte celý návod a bezpečnostné informácie.
2. Tieto pokyny uschovajte - uschovajte návod na použitie pre použitie v budúcnosti.
3. Dodržiavajte varovanie - dodržujte všetky varovania umiestnené na zariadení a v súlade s pokynmi.
4. Dodržiavajte pokyny - postupujte podľa pokynov a návodu pre užívateľa.
5. Inštalácia - nastavte zariadenie podľa pokynov výrobcu.
6. Napájacie zdroje - tento produkt by mal byť napájaný iba zo zdrojov uvedených na označenie na napájacom kábli. Ak si nie ste istí, aký typ napájania máte doma, mali by ste sa obrátiť na svojho predajcu alebo miestneho dodávateľa elektrickej energie.
7. Uzemnenie alebo polarizácia napájania - zariadenie nemusí byť uzemnené. Uistite sa, že je zástrčka úplne zasunutá do zásuvky v stene alebo do predlžovacieho kábla, aby sa zabránilo odhaleniu kolíkov a kontaktov. Niektoré verzie zariadenia môžu byť vybavené polarizovanou zástrčkou AC (s kolíkom). Túto zástrčku je možné zasunúť do sieťovej zásuvky iba jedným spôsobom. Toto je bezpečnostná funkcia. Ak nie je možné vložiť zástrčku do zásuvky, skúste ju otočiť. Ak zástrčka stále nepasuje do zásuvky, požiadajte elektrikára, aby ju vymenil. Neodstraňujte zabezpečenia polarizovanej zástrčky. Ak používate predlžovací kábel alebo kábel iný ako dodávaný s zariadením, mal / a by ste mať zodpovedajúce zástrčky a bezpečnostné osvedčenie požadované vo vašej krajine.
8. Zaistenie napájacieho kábla - napájacie káble by mali byť vedené tak, aby nikto po po nich nešliapal, nestiskal a aby nedošlo k odrezaniu časti zariadenia predmetami umiestnenými vedľa. Venujte zvláštnu pozornosť zástrčkám, zásuvkám a miestam vyznačujúcim sa tým, že káble sú vyvedené von zo zariadenia.
9. Preťaženie - nepreťažujte zásuvky, predlžovacie šnúry a elektrické rozvádzače, môže to mať za následok poruchu alebo úraz elektrickým prúdom.
10. Vetranie - Prístroj musí byť riadne vetranie. Nekladte výrobok na posteľ, pohovku, alebo podobný povrch. Nezakrývajte zariadenie obrusy obrúsky, novinami, atď
11. Teplo - Neumiestňujte zariadenie blízko zdrojov tepla ako sú radiátory, kachle alebo iné prístroje (vrátane zosilňovačov), ktoré produkujú teplo. Nekladte na zariadenie zapálené sviečky a iné otvorené zdroje ohňa.
12. Voda a vlhkosť - aby sa znížilo riziko poruchy alebo úrazu elektrickým prúdom, nevystavujte prístroj pôsobeniu dažďa, vody a vlhkosti, ako napríklad v saune, alebo v kúpeľni. Nepoužívajte toto zariadenie v blízkosti vody, napríklad pri vani, umývadle, kuchynského drezu alebo vane, vo vlhkej pivnici alebo v blízkosti bazéna (alebo na podobných miestach).
13. Objekty a kvapaliny v zariadení - Nevkladajte objekty cez otvory, pretože môžu prísť do styku s bodmi nebezpečného napätia a komponenty, ktoré môžu spôsobiť poruchu alebo úraz elektrickým prúdom. Tekutiny by za žiadnych okolností nemali vniknúť na povrch prístroja. Nekladte žiadne predmety obsahujúce kvapaliny na hornú časť zariadenia.

14. Čistenie - pred čistením vždy odpojte prístroj od elektrickej zásuvky. Prach okolo reproduktora možno odstrániť len suchou handričkou. Ak je potrebné použiť čistiaci sprej, nesmerujte postrek nie priamo na prístroj, ale na handričku. Dávajte pozor, aby nedošlo k poškodeniu pohonnej jednotky
15. Prídavné zariadenia - nepoužívajte príslušenstvo, ktoré nie sú schválené výrobcom, pretože môžu predstavovať hrozbu.
16. Príslušenstvo - neumiestňujte prístroj na nestabilný vozík, stojan, statív, držiak alebo stôl. Prístroj môže spadnúť, poškodiť sa a spôsobiť vážne zranenie deťom alebo dospelým. Použitie iba s vozikom, stojanom, trojnožkou, držiakom alebo stolom, stanoveným výrobcovia alebo predávajúci sa so zariadením. Inštalácia zariadenia by mala byť vykonaná v súlade s pokynmi výrobcu, za použitia montážnych sád odporúčaných výrobcom.
17. Sťahovanie zariadenia - zariadenie umiestnené na vozíku pohybuje veľmi starostlivo. Rýchle zastavenie, použitie nadmernej sily a nerovné povrchy môžu spôsobiť prevrátenie vozíka so zariadením.
18. Obdobie mimo prevádzky - napájací šnúra musí byť odpojená od zásuvky počas búrky alebo keď prístroj nie je používaný po dlhú dobu.
19. Servis - Nepokúšajte sa o vlastnoručný prehľadky zariadení. Otvorenie krytu môže spôsobiť nebezpečné napätie a vystaviť užívateľa na nebezpečenstvo. Údržbu a opravy zariadení sa zaoberá výhradne kvalifikovaný servisný personál.
20. Ak nepoužívate zariadenie, odpojte napájací kábel od zásuvky v stene. Ak je zariadenie pripojené k zdroju napájania, je v pohotovostnom režime a nie je úplne vylúčené.
21. Náhradné diely - pri výmene dielov, kontrolujte, či zamestnanec servisu použil náhradné diely špecifikované výrobcom, alebo diely rovnaké ako pôvodné. Výmena za neschválené diely hrozi poruchou, úrazom elektrickým prúdom alebo iným nebezpečenstvom.
22. Hlavné poistky - pre kontinuálne zabezpečení zariadenia pred ohňom, použite poistky správneho typu a parametrov. Parametre poistky v rozsahu napätia sú vyznačené na prístroji.
23. Nezvyšujte hlasitosť pri počúvaní skladby malej hlasitosti alebo v neprítomnosti vstupného zvukového signálu. V opačnom prípade môže dôjsť k poškodeniu reproduktora pri rýchlom zvýšení sily signálu.
24. Jediným spôsobom odpojenia zariadenia od zdroja elektrickej energie je odpojenie napájacieho kábla od elektrickej zásuvky alebo od zariadenia. Zásuvka alebo vstupný napájací kábel k zariadeniu musí byť vždy k dispozícii pri používaní výrobku.
25. Zariadenie by malo byť inštalované v blízkosti elektrickej zásuvky alebo predlžovačky a to takým spôsobom, aby bolo vždy k dispozícii.
26. Maximálna okolitá teplota zariadenia je 35 ° C
27. Pokyny týkajúce sa elektrostatických výbojov - v prípade, že činnosť zariadenia je narušená elektrostatickými výbojmi, vypnite ho a opätovne zapnete alebo premiestnite prístroj do iného miesta.
28. Batérie
 - A. Batérie nesmú byť vystavené nadmernému teplu, ako je slnečné žiarenie, oheň atď
 - B. Pri likvidácii batérie, venujte pozornosť environmentálnym aspektom.
 - C. Upozornenia týkajúce sa používania batérií: aby sa zabránilo úniku batérie, čo môže mať za následok zranenie alebo poškodenie zariadenia:
 1. Pri vkladaní batérií dbajte na správnu polaritu (+ a -).
 2. Nepoužívajte rôzne batérie naraz - staré a nové batérie, štandardné a alkalické atď
 3. Vyberte batérie z prístroja, keď nie je používaný po dlhšiu dobu

Poznámka o ERP2 (zariadenia súvisiace so spotrebou energie)

Toto zariadenie s ekodizajnom je v súlade s požiadavkami časti 2 nariadenia Komisie (ES) 1275/2008 k smernici 2009/125/ES o spotrebe energie ktorým sa vykonáva smernica Európskeho parlamentu a Rady 2005/32/ES, pokiaľ ide o požiadavky na ekodizajn z hľadiska potreby elektrickej energie elektrických a elektronických zariadení v domácnosti a kancelárii v pohotovostnom režime a vo vypnutom stave. Po uplynutí 15 minút bez vstupného audio signálu zariadenie sa automaticky prepne do pohotovostného režimu. Informácie o obnovenie normálnej prevádzky možno nájsť v príručke.

Dôležité informácie:

Tento prístroj je vybavený režimom pre úsporu energie: ak v rámci 30 minút nebude automaticky podaný žiadny vstupný signál, prístroj prejde do pohotovostného režimu, aby šetril energiu (ERP štandard 2). Je potrebné poznamenať, že nízke nastavenie hlasitosti v zdroji audio signálu môže byť rozpoznané ako stav "bez zvuku", čo môže ovplyvniť vašu schopnosť detekovanie signálu zo zariadenia a spôsobiť automaticky posun do pohotovostného režimu. V tomto prípade, obnovte prenos zvuku a zvýšte hlasitosť zdroja zvuku (MP3 prehrávač atď), pre obnovenie prehrávania. Ak problém pretrváva, obráťte sa na miestne servisné stredisko.

VAROVANIE

Prístroj by nemal byť používaný osobami (vrátane detí) s fyzickým, zmyslovým alebo mentálnym postihnutím a osobami s nedostatočnými znalosťami a skúsenosťami, pokiaľ nie sú pod dohľadom osoby zodpovednej za ich bezpečnosť a neboli poučené, ako bezpečne používať zariadenie. Prítomnosť dospelých je nutná v prípade, že zariadenie obsluhujú deti; to umožní zabezpečenie bezpečnej prevádzky zariadenia.

1. Nikdy nenechávajte zariadenie bežať bez dozoru! Vypnite zariadenie, ak ho nepoužívate, a to aj na krátku dobu.
2. Nepoužívajte prístroj cez externý časovač alebo samostatný systém diaľkového ovládania.
3. Aby sa zabránilo nebezpečenstvu, v prípade poškodenia napájacieho kábla výmenu by mal robiť výrobca, autorizovaný poskytovateľ služieb alebo iná osoba, majúca príslušné kvalifikácie.
4. Pred použitím zariadenia skontrolujte, či napätie zodpovedá napätiu vyskytujúcemu sa v miestnej sieti.
5. Nezakrývajte vetracie otvory novinami, obrusmi, záclonami, atď Uistite sa, že nad prístrojom je aspoň 20 cm voľného priestoru, az každej strany - najmenej 5 cm.
6. Nedovoľte, aby na prístroj kvapkali alebo sa lily tekutiny a nekladte naň predmety naplnené kvapalinami, ako napríklad vázy.

7. Aby nedošlo k poruche alebo k úrazu elektrickým prúdom, nevystavujte zariadenie na horúčavy miesta, na dážď, vlhkosť a prach.
8. Nepokladajte zariadenie do blízkosti zdrojov vody, ako sú kohútiky, vane, práčky alebo bazény. Umiestnite zariadenie na rovný stabilný povrch.
9. Nevystavujte silnému magnetickému poľu.
10. Nekladte zariadenie priamo na zosilňovači alebo prijímači.
11. Nekladte prístroj na vlhka miesta, pretože vlhkosť poškodzuje elektrické súčasti.
12. Prenos zariadení z chladného do teplejšieho prostredia alebo do vlhkejšieho priestoru môže viesť ku kondenzácii vlhkosti na šošovke vo vnútri prehrávača. V takejto situácii, prístroj nebude pracovať správne. Nechajte súčasťou v prístroji po dobu jednej hodiny pre odparovanie vlhkosti.
13. Nečistite zariadenie chemickými rozpúšťadlami, pretože môžu zničiť lak skrinčie. Prístroj sa čistí čistým suchým alebo mierne vlhkou handričkou.
14. Pri odpájaní zo zásuvky vždy ťahajte za zástrčku, nie za kábel.
15. Keď sa zapnutý prístroj používa v blízkosti zapnutého televízora, môže byť zdrojom narušenia obrazu v podobe čiar na obrazovke. Kvalita obrazu záleží na vlnovom pásme TV vysielania. Tento jav neznamená poruchu zariadenia alebo televízora. Vidíte-li tieto čiary, umiestnite prístroj do väčšej vzdialenosti od televízora.
16. Sietová zástrčka sa používa na odpojenie napájania a mala by byť vždy k dispozícii.
17. Ak chcete zabrániť nožnej strate sluchu, nepočúvajte hudbu dlhšiu dobu nahlas.



POZNÁMKA



Prehlásenie o zhode

Blaupunkt Competence Center 2N-Everpol Sp. z o.o. týmto prehlasuje, že je toto zariadenie v súlade so základnými požiadavkami a ďalšími príslušnými ustanoveniami smernice 2014/53 / EU. Prehlásenie o zhode je možné získať zo stránky produktu na www.blaupunkt.com. Zodpovedná strana: 2N-Everpol Sp. z o.o., Puławska 403A, 02-801 Varšava, Poľsko, Tel: +48 22 331 99 59, E-mail: info@everpol.pl



Naše produkty sú navrhnuté a vyrobené z vysoko kvalitných materiálov a komponentov, ktoré sú recyklovateľné a znovu použiteľné.



Ak je na výrobku uvedený symbol preškrtnutého kontajneru, znamená to, že výrobok podlieha smernici 2012/19/EU. Informujte sa prosím o miestnom systéme separovaného zberu pre elektrické a elektronické výrobky. Prosím riadte sa miestnymi pravidlami a nelikvidujte staré produkty spolu s bežným komunálnym odpadom. Správnu likvidáciu pomôžete znížiť negatívne následky na životné prostredie a ľudské zdravie.



Výrobok obsahuje batérie, ktoré smernicu 2006/66 / EC nemožno vyhadzovať do bežného domového odpadu. Informujte sa prosím o miestnych pravidlách separovaného zberu batérií, pretože správnu likvidáciu pomôžete predchádzať negatívnym dôsledkom pre životné prostredie a ľudské zdravie.

INFORMÁCIE TÝKAJÚCE SA ŽIVOTNÉHO PROSTREDIA

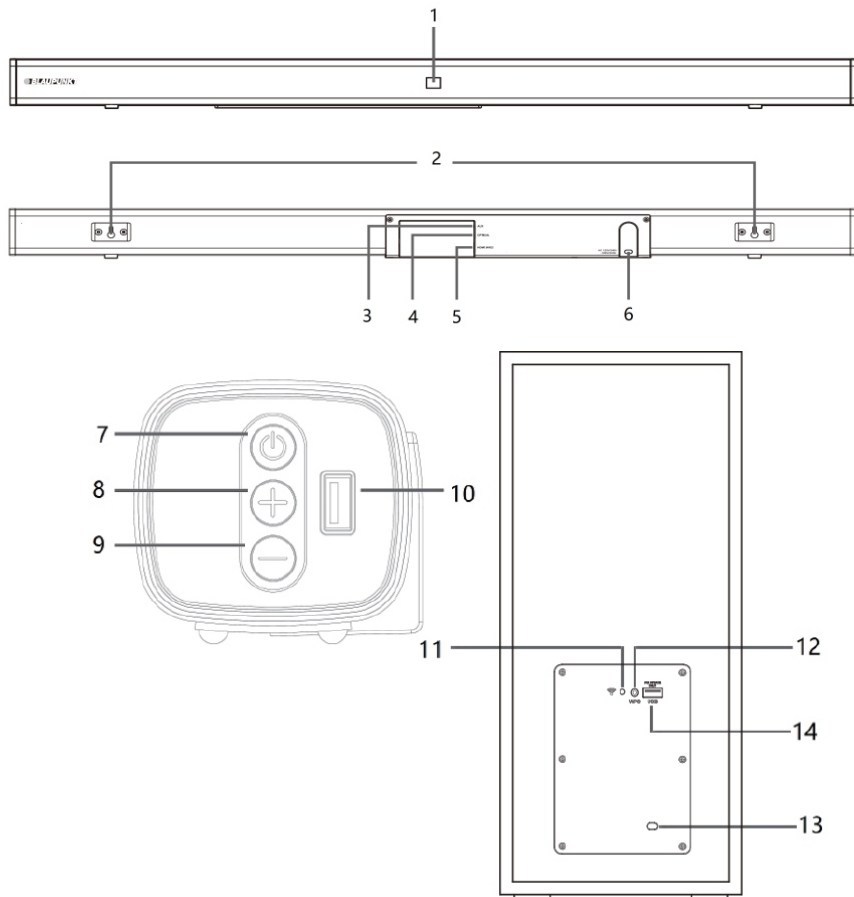
Výrobok je zabalený len v nevyhnutnom obale pre jeho ochranu. Snahou našej firmy je, aby bol obalový materiál ľahko rozdeliteľný na tri materiály: kartón (krabica), polystyrénová pena (vypodloženie) a polyetylén (vrecká, ochranná penová pokrývka). Výrobok sa skladá z materiálov, ktoré je možné recyklovať a znovu použiť v prípade demontáže odbornou firmou. Dodržujte prosím miestne predpisy týkajúce sa likvidácie obalových materiálov, vybitých batérií a starého zariadenia. Na nahrávanie a prehrávanie materiálov môže byť vyžadovaný súhlas. Pozri Zákon o copyrightu Act 1956 a Zákon na ochranu umelcov Sk 1958-1972.



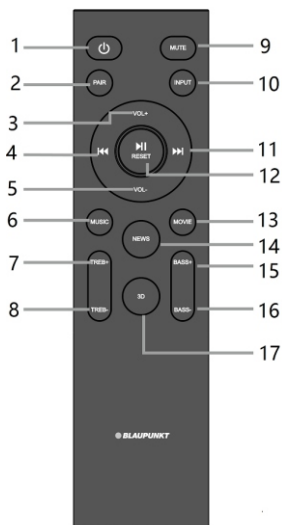
Známka a logo Bluetooth® sú registrované obchodné známky spoločnosti Bluetooth SIG, Inc. a jej použitie je zaťažené licenciou. Ostatné obchodné známky a mená sú vlastnené ich vlastníkmi.

Ďakujeme, že ste si vybrali náš model. Predtým, než začnete toto zariadenie používať, dôkladne si prečítajte a oboznámte sa s touto príručkou. Príručku uchovajte pre prípadnú potrebu v budúcnosti.

Rozmiestnenie ovládacích prvkov:



- 1 – Displej (BT = Bluetooth, OP = optický port, Hd = HDMI, US = USB, AU = AUX);
 2 – Montážne konzoly; 3 – AUX vstup; 4 – Optický vstup; 5 – HDMI (ARC) port;
 6 – Port striedavého prúdu na napájanie soundbaru: AC 110/240 V ~ 50/60 Hz;
 7 – Tlačidlo napájania/pohotovostný režim; 8 – Tlačidlo zvýšenia hlasitosti;
 9 – Tlačidlo zníženia hlasitosti; 10 – USB port na prehrávanie;
 11 – Kontrolka stavu pripojenia; 12 – Tlačidlo automatického párovania WPS;
 13 – Port striedavého prúdu na napájanie subwooferu: AC 110/240 V ~ 50/60 Hz;
 14 – USB port na servisné účely;

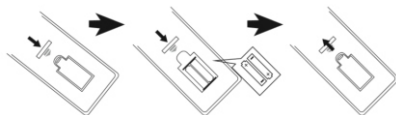


Dialkový ovládač

- 1 – Tlačidlo napájania:** stlačte ho, keď chcete zariadenie zapnúť/vypnúť.
2 – Tlačidlo párovania: Stlačte a na 3 sekundy podržte tlačidlo, odpojí sa aktuálne pripojené Bluetooth zariadenie a aktivuje sa pohotovostný režim na spárovanie s inými zariadeniami.
3, 5 – Tlačidlo Hlasitosti +/-: stláčaním nastavte požadovanú úroveň hlasitosti.
4, 11 – Predchádzajúce/nasledujúce tlačidlo: stlačením prepnete na predchádzajúcu/nasledujúcu stopu v režime Bluetooth alebo USB prehrávania.
6 – Tlačidlo Hudba/13 – Tlačidlo Film/14 – Tlačidlo Správy/17 – Tlačidlo 3D: Stlačením vybraného tlačidla vyberiete požadovaný režim ekvalizéra
7, 8 – Tlačidlo vysokých tónov +/-: stláčaním nastavte požadovanú úroveň vysokých tónov.
9 – Tlačidlo stíšenia: stlačením stlmíte zariadenie, opätovným stlačením zvuk obnovíte.
10 – Tlačidlo zdroja zvuku: stlačením prepnete režim prehrávania medzi rôznymi vstupmi: Bluetooth/Optika/HDMI/USB/AUX.
12 – Tlačidlo prehrávanie/pauzy, resetovania: stlačením spustíte alebo pozastavíte prehrávanie hudby v Bluetooth alebo USB režime; Keď toto tlačidlo stlačíte a podržíte na 3 sekundy, zariadenie sa zresetuje, vrátane hlasitosti, ekvalizéra ap.
15, 16 – Tlačidlo nízkych tónov +/-: stláčaním nastavte požadovanú úroveň nízkych tónov.

Vloženie batérií do diaľkového ovládača

Otvorte komoru batérií a vložte do nej 2 batérie typu AAA (sú súčasťou súpravy); zachovajte správnu polaritu batérií (kladný a záporný pól), tak ako je to predstavené na komore batérií. Následne zatvorte komoru batérií.



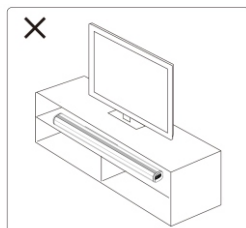
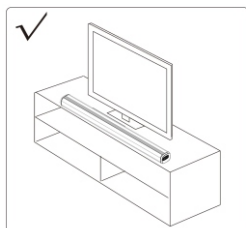
Poznámky:

- Najlepší pracovný dosah diaľkového ovládača je 6 metrov, bez akýchkoľvek prekážok medzi diaľkovým ovládačom a soundbarom. Diaľkový ovládač pri používaní smerujte na snímač diaľkového ovládača, ktorý je umiestnený na prednej strane soundbaru.
- Citlivosť diaľkového ovládača je nižšia, keď sú batérie vybité. V takom prípade ich vymeňte za nové.
- Ak diaľkový ovládač nebude dlhší čas používať, vyberte z neho batérie.
- Batérie odstráňte náležitým spôsobom, šetrne k životnému prostrediu. Bližšie a podrobnejšie informácie vám poskytne miestna samospráva.

Umiestnenie soundbaru

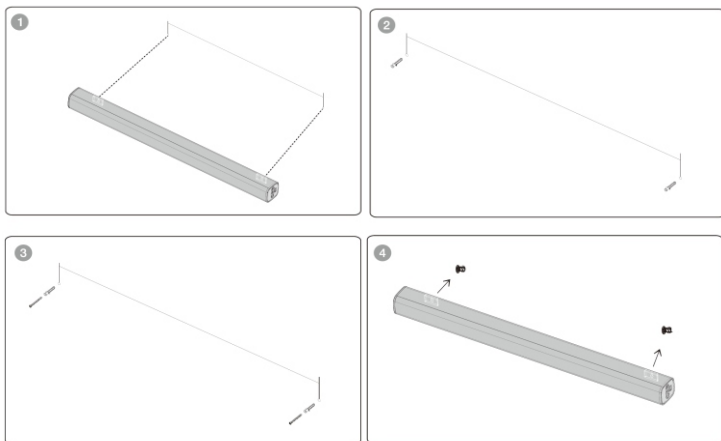
Najlepší pracovný dosah medzi soundbarom a bezdrôtovým subwooferom je 6 metrov (maximálny pracovný dosah je 10 metrov). Subwoofer neumiestňujte príliš ďaleko od soundbaru. Soundbar umiestnite na rovnom plochom povrchu alebo ho upevnite na stene nasledovným spôsobom:

1. Umiestnenie soundbaru na rovnom plochom povrchu: Položte zariadenie pozdĺžne na rovny plochý povrch, ako je televízor alebo skrinka, a umiestnite ho v osi televízora. medzi reproduktorom a stenou ponechajte nejaký priestor. Neumiestňujte ho v skrini ani v nástennej polici. Postupujte podľa týchto pokynov, aby ste dosiahli najkvalitnejší zvuk a dobré prúdenie vzduchu okolo soundbaru.



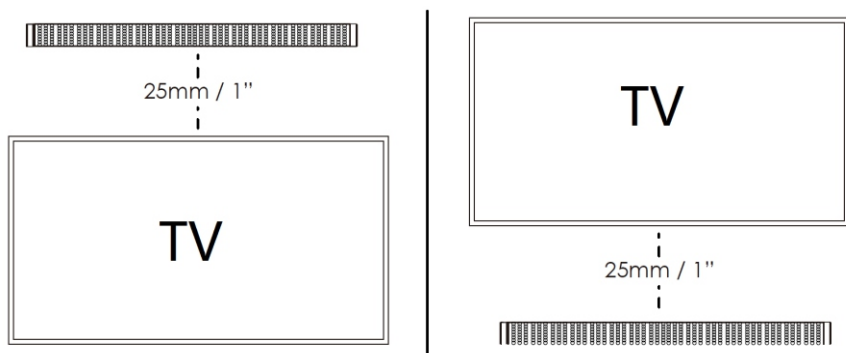
2. Montáž na stenu:

- Použitím soundbaru ceruzkou zaznačte 2 otvory na stene v rovnakej vzdialenosti, ako otvory v nástennej konzole soundbaru. Potom vyvrtajte montážne otvory.
- Vložte do otvorov v stene plastové kolíky a zaskrutkujte skrutky do plastovej klipsy, skrutky nezaskrutkujte úplne do konca, uistite sa, že ste ponechali nejaký priestor.
- Keď skrutky správne zaskrutkujete, zaveste soundbar tak, že skrutky vložíte do konzoly na montáž na stene.



Varovanie: Ak nemáte istotu, že dokážete správne a bezpečne namontovať soundbar na stenu, zverte vykonanie týchto prác skúsenej a kvalifikovanej osobe.

Reproduktor namontujte iba na spevnenom povrchu steny. V prípade plastových stien odporúčame, aby ste pre vyššiu bezpečnosť upevnili reproduktor k stenovým stĺpkom, výstužiam. Aby ste dosiahli optimálny výkon, zachovajte vzdialenosť aspoň 25 mm/1" medzi soundbarom a televízorom.

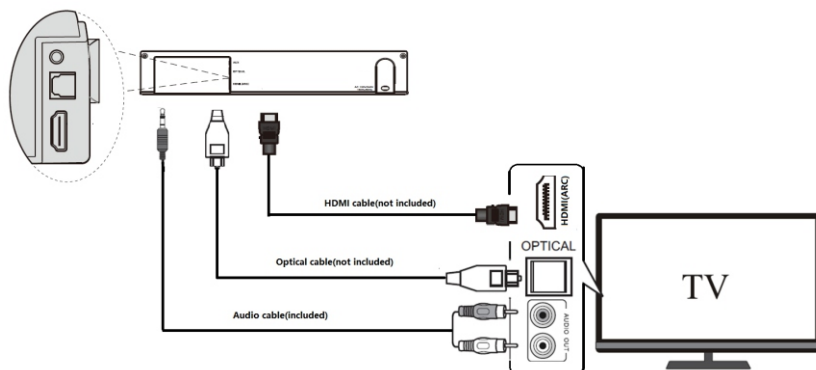


Pripojenie káblového audia a nastavenia

Pred tým, než zapnete soundbar, najprv pripojte zariadenie. Soundbar má digitálne (optické a HDMI (ARC)) a analógové (AUX IN) vstupy na pripojenie rôznych zdrojov. Oboznámte sa s nasledujúcimi pokynmi ohľadne pripojenia rôznych typov zariadení.

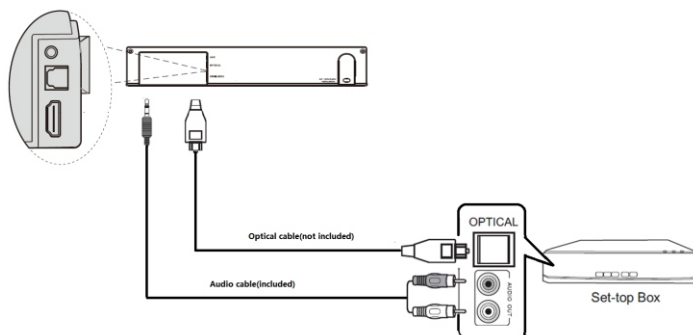
1. Pripojenie soundbaru k výstupom televízora.

Stiahnite ochrannú zálepku z portu OPTICKAL, a potom s použitím optického kábla (nie je v súbave), prepojte výstupný port OPTICAL OUT televízora a výstupný port OPTICAL v soundbare. Pripojenie s použitím HDMI(ARC)/AUX konektora sa vykonáva rovnakým spôsobom.



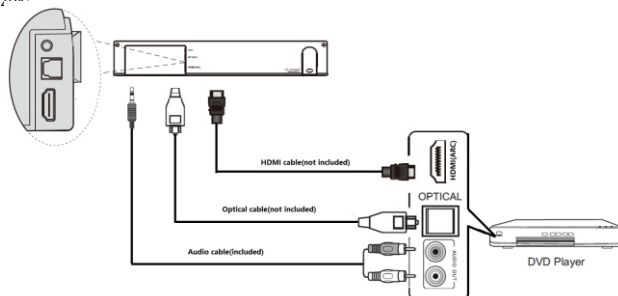
2. Pripojenie soundbaru k TV dekodéru.

Skontrolujte, aké výstupy má váš dekodér. Následne použite príslušný kábel, ktorým prepojte dekodér a soundbar. Na správne fungovanie stačí prepojenie iba jedným typom konektora. Pozrite nižšie uvedený obrázok.



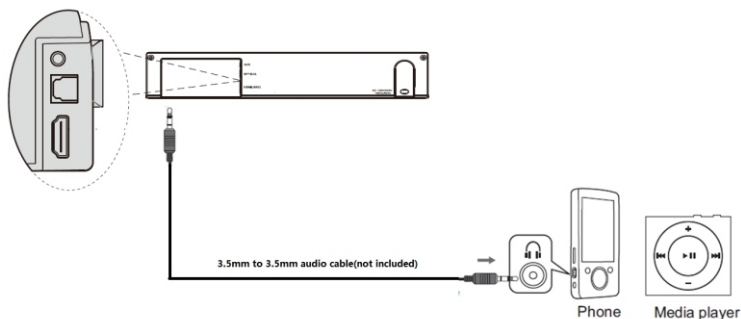
3. Pripojenie soundbaru k DVD alebo Blue-ray prehrávaču.

Skontrolujte, aké výstupy má váš DVD/Blue-ray prehrávač, a potom použite príslušný kábel na prepojenie prehrávača a soundbaru, použite náležitý kábel. Na správne fungovanie stačí prepojenie iba jedným typom konektora. Pozrite nižšie uvedený obrázok.



4. Pripojenie soundbaru k MP3 prehrávaču

Soundbar má jeden vstup MP3 Link (AUX), ku ktorému môžete pripojiť ľubovoľný MP3 prehrávač. Použijete náležitý kábel s mini-jack konektormi, v súlade s nasledujúcim obrázkom.

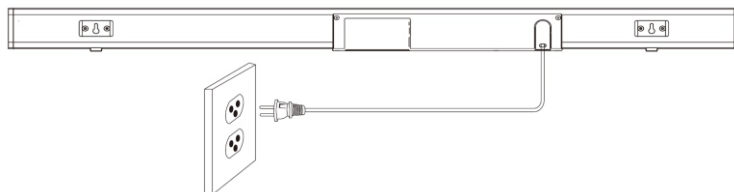


Pozor:

1. Ak soundbar po pripojení s použitím optického alebo HDMI káblu nevydáva žiadny zvuk, skontrolujte, či nastavenia digitálneho audio výstupu externého zariadenia (napr. DVD prehrávača, hernej konzoly, televízora) sú nastavené na „PCM stereo“ alebo „stereo 2.0“. Na vykonanie tejto operácie sa oboznámte s používateľskou príručkou televízora, alebo iného zdrojového zariadenia.
2. HDMI(ARC): Soundbar podporuje rozhranie HDMI ARC. Ak váš televízor podporuje rozhranie HDMI ARC (podrobné informácie nájdete v používateľskej príručke televízora), zvuk z televízora sa môže na soundbare prehrávať s použitím jednotlivého HDMI kábla (nie je v súpave). Konektor HDMI ARC v televízore môže byť označený inak, skontrolujte používateľskú príručku televízora.
3. Výstupný zvuk môže byť pri optickom a HDMI pripojení hlasnejší než v režime AUX IN, je to normálne, keďže úroveň digitálneho audio signálu môže byť iná než úroveň analógového signálu.
4. Keď soundbar správne namontujete a pripojíte, používajte ho v súlade s touto používateľskou príručkou.

Používanie

Pripojenie napájania: Skontrolujte, či parametre el. obvodu, ku ktorému chcete zariadenie pripojiť, sa zhodujú s parametrami, ktoré sú uvedené na výrobnom štítku, ktorý sa nachádza na zadnej strane soundbaru a subwooferu. Ak sa parametre nezhodujú, obráťte sa na predajcu alebo servisné centrum. Zastrčte dodaný zástrčku do el. zásuvky, aby ste získali zdroj el. energie.



Zapínanie/vypínanie zariadenia: krátko stlačte tlačidlo napájania na soundbare, zariadenie sa zapne; stláčaním tohto tlačidla nastavíte zdroje prehrávania, dostupné sú: Bluetooth/optický vstup/HDMI/USB/AUX; stlačte a na 3 sekundy podržte tlačidlo napájania, zariadenie sa prepne na pohotovostný režim. Rovnaké funkcie sa dajú aktivovať aj stlačením tlačidla napájania a zdroja zvuku na diaľkovom ovládači. Keď zapnete soundbar a bezdrôtový subwoofer, zariadenia sa medzi sebou automaticky spárujú v priebehu niekoľkých sekúnd. Ak nie, skúste vykonať párovanie manuálne, tak ako je to opísané v ďalšej kapitole tejto príručky.

Používanie Bluetooth

Tento výrobok má funkciu Bluetooth, ktorá umožňuje bezdrôtovo prehrávať zvuk z iného Bluetooth zariadenia (ako napr. telefón, tablet, televízor ap.).

1. Zapnite zariadenie, stláčaním tlačidla zdroja zvuku na diaľkovom ovládači nastavte režim Bluetooth, na displeji začne blikať symbol „BT“, to znamená, že zariadenie je pripravené na párovanie.
 2. Aktivujte funkciu Bluetooth v externom zariadení a vyhľadajte dostupné zariadenia na spárovanie (postupujte podľa príručky daného externého zariadenia), a potom na zozname skontrolujte dostupné Bluetooth zariadenia. Vyberte „BP LS200“ a spárujte. Po úspešnom spárovaní na displeji soundbaru prestane blikať symbol Bluetooth a začne stále svietiť.
 3. Na externom Bluetooth zariadení spustíte prehrávanie, nastavte požadovanú hlasitosť a zvuk sa bude prehrávať na soundbare.
 4. V Bluetooth režime môžete vykonávať nasledujúce operácie: výber predchádzajúcej/nasledujúcej stopy, prehrávanie/pozastavenie, stlmenie atď. stlačením príslušného tlačidla na diaľkovom ovládači.
- Poznámky:
- a. Nedá sa zaručiť, že sa zariadenie dokáže spárovať so všetkými Bluetooth zariadeniami, vzhľadom na rozličné značky, konštrukcie či štandardy.
 - b. Najlepšou pracovnou dosah Bluetooth je do cca 10 metrov, bez žiadnych prekážok medzi zariadeniami.

- c. Zariadenie môže byť v jednej chvíli spárované iba s jedným Bluetooth zariadením.
- d. Keď počas prehrávania prostredníctvom Bluetooth prijmete prichádzajúci hovor, prehrávanie sa dočasne preruší, obnoví sa po skončení telefonického hovoru.
- e. Dlhým stlačením párovania na diaľkovom ovládači môžete ukončiť aktuálne prepojenie s Bluetooth zariadením, a spárovať s iným zariadením.

Bluetooth prepojenie s televízorom: Ak má váš televízor Bluetooth funkciu, môžete ho bezdrôtovo pripojiť k soundbaru a prehrávať zvuk televízora. Aktivujte funkciu Bluetooth v televízore, a potom na zozname dostupných zariadení na spárovanie vyberte „BP LS200“. Bližšie a podrobnejšie informácie nájdete v používateľskej príručke televízora.

Používanie USB prehrávača

Toto zariadenie má funkciu USB prehrávania, ktorá umožňuje dekódovať a prehrávať súbory uložené na externom USB kľúči. Predtým skopírujte požadované súbory, vo formáte MP3, na USB kľúč; vložte pripravený USB kľúč do portu v soundbare, režim USB je dostupný, iba keď je úspešne pripojený USB kľúč k soundbaru. Zariadenie následne automaticky vyhľadá a začne prehrávať súbory formátu MP3.

V režime USB prehrávania stlačte príslušné tlačidlo na diaľkovom ovládači, dostupné sú nasledujúce funkcie: výber stopy/prehrávanie/pauza/ekvalizér/nastavenie nízkych a vysokých tónov ap.

Poznámky:

- a. Neodporúčame, aby ste USB kľúč pripájali cez predlžovací USB kábel, keďže to môže vytvárať šum alebo prerušovať zvuk vzhľadom na stratu audio dát počas prenosu.
- b. Nezaručujeme to, že sa budú dať prehrať všetky súbory vo formáte MP3/WMA
- c. Maximálna kapacita podporovaných USB kľúčov je 32 GB.
- d. Prehrávanie niektorých USB kľúčov môže trochu trvať; Pripomíname, že to nie je chyba/porucha.

Manuálne párovanie bezdrôtového subwooferu a soundbaru:

Soundbar je predvolene spárovaný s bezdrôtovým subwooferom. V prípade, ak sa vyskytnú problémy s pripojením, vykonajte nasledovné činnosti:

- a. Pripojte soundbar k zdroju napájania a zapnite zariadenie, aktivujte Bluetooth režim; vtedy je soundbar v režime párovania so subwooferom.
- b. Medzitým pripojte napájanie a zapnite bezdrôtový subwoofer, na zadnom paneli začne blikať modrá kontrolka. Stlačte a na 3 sekundy podržte tlačidlo WPS AUTO PAIR, ktoré je na zadnom paneli subwooferu. Modrá kontrolka začne rýchlo blikať, to znamená, že prebieha párovanie subwooferu a soundbaru.
- c. Po asi 20 – 30 sekundách modrá kontrolka subwooferu prestane blikať a začne stále svietiť, to znamená, že spárovanie soundbaru a subwooferu prebehlo úspešne.
- d. Po prvom úspešnom spárovaní sa soundbar a subwoofer budú prepájať automaticky.
- e. Bezdrôtový subwoofer môžete spárovať s iným soundbarom LS200SUB z rovnakej šarže. Zopakujte vyššie opísaný postup, avšak uistite sa, že je počas párovania zapnutý iba požadovaný soundbar a bezdrôtový subwoofer.

Pozor:

- a. Ak je bezdrôtový subwoofer zapnutý, avšak soundbar je vypnutý alebo je v pohotovostnom režime; po niekoľkých minútach sa modrá kontrolka bezdrôtového subwooferu zmení na červenú, pretože je v pohotovostnom režime.
- b. Aby ste sa pri používaní LS200SUB vyhli rušeniu spôsobenému iným bezdrôtovým signálom, a tým zníženiu kvality, zachovajte náležitú vzdialenosť od iného bezdrôtového Wi-Fi/2.4G zariadenia.
- c. Maximálny dosah spojenia medzi soundbarom a bezdrôtovým subwooferom je 10 metrov na otvorenom priestranstve, aby ste zachovali čo najlepšie zvukové parametre, odporúčame vzdialenosť 6 metrov.

Riešenie problémov

1. Reproduktor sa nechce zapnúť.
 - a. Skontroluje, či je zariadenie správne pripojené k el. napätiu.
2. Žiadny zvuk.
 - a. Skúste nastaviť úroveň hlasitosti, skontrolujte tlačidlo stlmenia a zdroj prehrávania.
 - b. Ak sa problém nepodarilo vyriešiť, obráťte sa na servisné centrum, ktoré vám poskytne potrebnú pomoc.
3. Zvuk je deformovaný.
 - a. Skúste prehrávať pri nižšej úrovni hlasitosti.
 - b. Skontrolujte nastavenie vysokých/nízkych tónov.
 - c. Skúste znížiť hlasitosť externého zariadenia, napríklad televízoru ap.
4. Prerušovaný zvuk pri Bluetooth režime
 - a. Skúste umiestniť Bluetooth zariadenie bližšie pri reproduktore.
5. Žiadny zvuk v optickom režime alebo HDMI(ARC).
 - a. Skontrolujte, či sú soundbar a externé zariadenie správne prepojené.
 - b. Uistite sa, či televízor podporuje rozhranie HDMI(ARC), a či je pripojený k správnejmu portu. Nastavte televízor na HDMI ARC(CEC).
 - c. Nastavte režim audio výstupu TV na rozhranie PCM.

6. Žiadny zvuk zo subwooferu.

- Stlačte a podržte tlačidlo automatického párovania WPS, ktoré sa nachádza na zadnom paneli subwoofera, zresetujú sa nastavenia a aktivuje sa bezdrôtové párovanie so soundbarom.
- Vypnite a opäť zapnite soundbar a subwoofer, a následne manuálne spárujte podľa pokynov, ktoré sú uvedené v tejto príručke.
- Ak sa problém nepodarí vyriešiť, obráťte sa na centrum technickej pomoci.

Špecifikácie

Všeobecné

Napájanie: AC 110~240 V 50/60 Hz
Príkion (v pracovnom režime): 192 W
Príkion v pohotovostnom režime: < 0,5 W
Výstupný výkon RMS: 160 W (40 W x 2 + 80 W subwoofer)
Celkové harmonické skreslenie: <1% (1 kHz, 1 W)
Citlivosť audio vstupu: 800 mV
Frekvenčné pásmo: 45 Hz – 20 KHz
Podporované zvukové formáty v USB režime: MP3/WAV
Maximálna podporovaná kapacita USB kľúča: max. 32 GB
Rozmery soundbaru: 960 x 70 x 78 mm (šírka x výška x hĺbka)
Rozmery subwoofera: 170 x 380 x 306 (šírka x výška x hĺbka)

Reproduktory

Impedancia a veľkosť reproduktorov soundbaru: 4 Ω * 4; 2,25 palca
Impedancia a veľkosť reproduktora subwooferu: 3 Ω * 1; 6,5 palca

Bluetooth

Verzia Bluetooth: V5.0
Pracovný dosah: cca 10 m
Frekvencia vysielania: 2,402 ~ 2,480 GHz
Protokoly: A2DP/AVRCP
(Poznámky: vyššie uvedené špecifikácia výrobku sa môže zmeniť bez predchádzajúceho upozornenia).

Príslušenstvo

Diaľkový ovládač x 1 ks
Batérie do diaľkového ovládača x 1 pár
Používateľská príručka x 1 ks
Záručný list x 1 ks
Audio kábel (3,5 mm RCA stereo) x 1 ks
Skrutky na montáž na stene: ST4 * 45 mm x 2 ks + plastové montážne kolíky x 2 ks

FONTOS BIZTONSÁGI UTASÍTÁSOK


FIGYELEM!
ÁRAMÜTÉS VESZÉLYE
NE NYISSA KI!


Figyelem:

Az áramütés kockázatának csökkentése érdekében, ne távolítsa el a fedelet vagy hátra alkatrészeket. A készülékben nincs felhasználó által javítható alkatrészek. Forduljon képzett szakemberhez

A szimbólumok magyarázata:


Villám szimbólum elhelyezett egyenlő oldalú háromszögben figyelmezteti a felhasználót a szigetetlen "veszélyes feszültségre" a készülékben, amely elérheti a fenyegető áramütés méretét.ü



Felkiáltójel szimbólum elhelyezett egyenlő oldalú háromszögben figyelmezteti a felhasználót, hogy most az üzemeltetés és karbantartásról információk megjelennek a dokumentációban, a készülékhez hozzáadott.

Kérjük, figyelmesen olvassa el az alábbi biztonsági utasításokat, és ezeket a későbbiekben felmerülő kérdések esetére is tartsa meg. Vegye figyelembe a használati utasításban és a készülék hátoldalán található figyelmeztetéseket és utasításokat.

Fontos információk

- Tartsa meg a használati útmutatók későbbi kérdések esetében
- Kerülje a készülék vízzel vagy nedvességgel történő érintkezését
- Ne telepítse a készüléket az alábbi helyeken:
- Kerülje a berendezés közvetlen napfényvel vagy szokatlanul sok porral történő érintkezését.
- Ne helyezzen semmilyen más melegítő készüléket a berendezés mellett.
- A készülék helye ne legyen folyamatosan rezgő helyeken.
- A készülék helye ne legyen magas páratartalmú helyiségben.
- Ne helyezzen nyílt láng vagy gyertyák mellett.
- Berendezések csak kézikönyv szerint használható.
- A berendezés bekapcsolása előtt, győződjön meg róla, hogy az áramellátás megfelelően csatlakozik.
- USB memóriát közvetlenül bekapcsolható, 25 cm-es kábellel.

A hátoldalon és a készülék oldalán található légnyelések maradjanak szabadon. Soha ne próbálja meg a hibás készüléket megjavítani, minden esetben forduljon ügyfélszolgálatához. Ne nyissa fel a készüléket - ezt csak szakember teheti meg.

BIZTONSÁGI UTASÍTÁSOK

1. Olvassa el az utasításokat - figyelmesen olvassa el a biztonsági utasításokat.
2. Tartsa meg az útmutatót - későbbiekben felmerülő kérdések esetére tartsa meg a biztonsági utasításokat.
3. Vegye figyelembe a figyelmeztetéseket - Vegye figyelembe a használati figyelmeztetéseket és utasításokat.
4. Vegye figyelembe az utasításokat - Vegye figyelembe a használati figyelmeztetéseket és utasításokat.
5. Üzembevétel - Utasítások szerint ügyeljen.
6. Áramforrás - A készüléket csatlakoztassa csak a normál hálózati feszültséghez. Ha a felhasználó nem biztos abban, milyen típusú tápegysége van a házban, akkor forduljon a forgalmazóhoz vagy a helyi áramszolgáltatóhoz.
7. Földelés vagy teljesítmény polarizációja – a földelésre nincs szükség. Győződjön meg arról, hogy a csatlakozó teljesen be van helyezve a fali csatlakozóba vagy kiterjesztésbe. A berendezés egyes verziói egy polarizált csatlakozója van (az egyik pótus szélesebb). Ez a dugó lehet illeszteni a fali aljzatba csak egyféle képpen. Ez egy biztonsági funkció. Ha nem lehet bedugni a dugót a konnektorba, próbálja fordítani őt. Ha a dugó még mindig nem illeszkedik az aljzatba, forduljon villanyszerelőhöz, hogy cseréltesse ki. Ne távolítsa el a biztonságot a polarizált dugóról. Amikor használ hosszabbítót vagy a hálózati kábel ami nem mellékelte a készülékhez, megfelelő dugaszolhatóra és az adott országban biztonsági ellenőrzésre szüksége van.
8. Tápkábel biztosítása - Úgy helyezze el a hálózati kábelt, hogy abban senki ne botoljon meg. Fordítson különös figyelmet a dugaszolhatóra, a hálózati csatlakozóra és ezekre a helyekre ahol a kábelek vezetik ki a készüléket.
9. Túlterhelés - ne terhelje túl a konnektorokat, hosszabbítót, és elektromos elosztók, mivel ez tüzet vagy áramütést okozhat.
10. Szellőzés - A készüléket szellőztetni kell. Ne tegye a készüléket puha felületre, pl. takaróra, szőnyegre vagy függönyök, falikárpit közelébe, mert a szellöző nyílások takarásba kerülhetnek, ezáltal a szükséges levegőcsere nem valósul meg.
11. Hőség - Ne helyezze a készüléket fűtőtestek vagy más hőt sugárzó források közelébe. Kerülje a berendezés közvetlen napfényvel. Nyílt láng, például gyertyák ne kerüljenek a készülékre.
12. Víz és nedvesség - Tűzveszély és egy esetleges áramütés elkerülése végett, a készüléket ne tegye ki esőnek vagy nedvességnek. A berendezést ne használja fürdőkádak, úszómedencék vagy fröcskölő vízforrás közelében.
13. Tárgyak és folyadékok a készülék - Idegen tárgyak nem tegyen be a készülékbe mert feszültség alatt lévő pontokat és alkatrészeket érinthetnek, ami tüzet vagy áramütést okozhat. Ne helyezzen folyadékkal telt tárolóedényeket a készülékre.
14. Tisztítás - A tisztítás előtt mindig húzza ki a készüléket a fali csatlakozóból. Port száraz ruhával távolítsa el. Ha a tisztításhoz aeroszolt használ, ne irányítsa közvetlenül a készülékre, de a ruhára. Ügyeljen arra, hogy ne sértse meg a meghajtó egységeket.
15. Kiegészítő berendezések - Ne használjon olyan tartozékokat, amelyek nem a gyártó által jóváhagyott, mivel azok veszélyt jelentenek.
16. Tartozékok - Ne helyezze a készüléket instabil kocsira, állványra, konzolra vagy asztalra. A készüléket megsérülheti és súlyos sérülést okozhat egy gyermek vagy egy felnőtt számára. Csak a gyártó által jóváhagyott vagy készülékkel eladó kocsit, állványt, konzolt vagy használható. A készüléket gyártói útmutató szerint felszerelhető.

17. A berendezés áthelyezése - a kocsin levő készüléket nagyon óvatosan mozdulni kell. Gyors fékezés, túlzott erőltetés és az egyenetlen felületek miatt felborulhat a készülék.
18. A berendezést nem használata - Ha a berendezést hosszabb ideig nem használja, áramtalanítsa azt.
19. Szerviz - Soha ne próbálja meg a hibás készüléket megjavítani, minden esetben forduljon ügyfélszolgálatához. Ne nyissa fel a készüléket - ezt csak szakember teheti meg. A karbantartási munkákat hagyja szakképzett személyezetre. Egyéb esetekben magát és másokat is veszélyeztet.
20. Ha a berendezést hosszabb ideig nem használja, áramtalanítsa azt. Ha a készülék csatlakoztatva van egy áramforráshoz, ez készenléti üzemmódban, és nem teljesen kizár.
21. Pótkatrészek - Alkatrészek cseréjekor ellenőrizze, hogy a szolgálati munkavállaló használt pótkatrészeket a gyártó által meghatározott, vagy ugyanilyenek, mint az eredeti rész. Nem engedélyezett részek esetében tűz, áramütés vagy egyéb veszélyes helyzet van.
22. Főbiztosítékok - Állandó készülék biztosításához megfelelő típusú és paraméterű biztosítókat használni kell. Biztosítékok paramétereit a készüléken vannak.
23. Ne növelje a hangerőt a kis hangerőjű dal vagy a bemenő audiojel hiányában mellett. Ellenkező esetben maradandó halláskárosodáshoz vezethet.
24. A villózáttal történő kicsatlakoztatáshoz a villás dugót teljesen nyomja ki a konnektorból. A aljzat vagy kábel bemeneti teljesítmény a készülék mindig elérhetőnek kell lenni a használat során a termék.
25. A készüléket a konnektor vagy hosszabbító közelében el kell helyezni, oly módon, hogy mindig rendelkezésre áll.
26. A készülék maximális környezeti hőmérséklete 35 °C.
27. Irányelvek az elektrosztatikus kislésről - ha a készülék működése zavarban van az elektrosztatikus kislés miatt, ki kell kapcsolni és újrapcsolni vagy más helyre mozdulni.
28. Elem
 - a. Ne helyezze a készüléket fűtőtestek vagy más hő sugárzó források közelébe. Kerülje a berendezés közvetlen napfényel.
 - b. Az akkumulátor kidobása alatt, fordítson figyelmet a környezetvédelemre.
 - c. Vigyázat elemek használatára vonatkozó: annak érdekében, hogy megakadályozza az elem szivárgását amely sérülést vagy kárt okozhat:
 - az elemek elhelyezése alatt, fordítson figyelmet a polaritásra (+ és -)
 - ne használjon különböző elemeket egyszerre - régi és új normál és alkalikus stb.
 - Vegye ki az elemeket a készülékből, ha nem használja hosszabb időre.

ERP2-ről megjegyzések (energiával kapcsolatos eszközök)

Ez a készülék okprojekttel megfelel a 2. szakasz biztonsági rendelet (EC) No 1275/2008 irányelvet átültető 2009/125/EK energiafogyasztásról a fogatékkal élő és működő készenléti üzemmódban elektronikus eszközökről irodában és házbán. 15 perc a bevételel jel nélkül után, a készülék automatikusan készenléti üzemmódba átkapcsol.

Információk a normál működésbe helyreállításáról az útmutatóban megtalálható.

Fontos információk

Ez a készülék fel van szerelve egy energiatakarékos üzemmóddal: 30 perc a bevételel jel nélkül után, a készülék automatikusan készenléti üzemmódba átkapcsol (ERP2 szabvány). Meg kell jegyezni, hogy az alacsony hangerő az lehet ismerni "nincs hangként": ez befolyásolhatja a jel elismerésére és automatikusan készenléti üzemmódba kapcsolására. Ebben az esetben vissza kell állítani az audiójel adása vagy növelni a hangerőt a hangforrásban (MP3-lejátszó, stb). Ha a probléma továbbra is fennáll, lépjen kapcsolatba a helyi márkaszervizzel.

FIGYELEM

A készüléket nem használhatják olyan személyek (beleértve a gyerekeket), akik testi, érzékszervi vagy szellemi fogyatékoságtól szenvednek és az elégtelen tudású és tapasztalatú is, ha a felelős személy nem felügyeli és nem kapta meg elég információt a készülékről. Felnőttek jelenlétre szüksége van ha a gyerekek használják a készüléket. Ez biztosítja a biztonságos használatát.

1. Soha ne hagyja a gépet felügyelet nélkül! Kapcsolja ki készüléket, ha nem használ, bár egy rövid ideig.
2. Ne használja a készüléket egy külső órajel időzítővel, vagy egy külön távvezérlő rendszerrel.
3. Kockázatának elkerülése érdekében a a tápkábel megsérülése esetében, a cserét gyártónak kell végezni, meghatalmazott szolgáltató, vagy más személy aki rendelkezik megfelelő képesítéssel.
4. Mielőtt használatba venné a készüléket, ellenőrizze, hogy a hálózati feszültség megegyezik a feszültséggel előforduló helyi hálózatban.
5. Ne tegye a készüléket puha felületre, pl. takaróra, szőnyegre vagy függönyök, falikárpit közelébe, mert a szellőző nyílások takarásba kerülhetnek, ezáltal a szükséges levegőcseré nem valósul meg. Győződjön meg arról, hogy a készüléktől legalább 20 cm szabad hely, és a két oldalán - legalább 5 cm-t.
6. Amennyiben a készülékbe idegen anyag, test vagy folyadék kerül, ne helyezzen folyadékkal telt tárolóedényeket, pl. vírágvázat a készülékre.
7. Tűzveszély és egy esetleges áramütés elkerülése végett, a készüléket ne tegye ki esőnek vagy nedvességnek.
8. A berendezést ne használja fürdőakádak, úszómedencék vagy fröcskölő vízfórás közelében. Tartsa meg stabil helyeken.
9. Ne tegye ki erős mágneses mezőre.
10. Ne helyezze a készüléket közvetlenül az erősítőn vagy vevőn.
11. Ne helyezze a készüléket párás helyen, mert a nedvességnek hátrányos hatása van az elektromos alkatrészekre.
12. A készülék hozása a hideg helyről meleg vagy nedves helyre páralecsapódás a lencsén a lejátszó belsejében történhet. Ebben az esetben a készülék nem helyesen működhet. Hagyja a gépet bekapcsolva körülbelül egy óráig, hogy lehetővé tegye a nedvesség párolgást.
13. Ne tisztítsa a készüléket kémiai oldószerekkel, a készülék lakk megsemmisítése miatt. Az eszköz tiszta, száraz vagy enyhén nedves ruhával tisztítható.

14. A konnektorból történő kihúzás esetén ne a kábelt, hanem a villásdugót húzza ki.
15. A készülék működik a bekapcsolt tévé mellett, ez a zaj a képernyőn forrása lehet. A TV adás hullámaintól függő. Azt nem jelenti hibás se tévé se rádió működését. Ebben az esetben távolítsa a készüléket a tévétől.
16. A hálózati csatlakozó a hálózatból kihúzásához használható. Fontos, hogy mindig elérhető.
17. Hogy megakadályozzák az esetleges halláskárosodást, ne hallgass hangosan zenét egy hosszú ideig.



FIGYELEM

Megfelelőség

A Blaupunkt Competence Center 2N-Everpol Sp. z o.o. kijelenti, hogy ez a készülék megfelel a 2014/53/EU irányelv alapvető követelményeink és más vonatkozó rendelkezéseinek. A megfelelőségi nyilatkozat a termék honlapjáról szerezhető be: www.blaupunkt.com.

Felelős fél: 2N-Everpol Sp. z o.o, Puławska 403A, 02-801 Varsó, Lengyelország, telefon: +48 22 331 99 59, e-mail: info@everpol.pl



A termék kiváló minőségű anyagokból és alkatrészekből áll, újrahasznosíthatók és újra felhasználhatók.



Ha a készüléken az áthúzott szeméttároló van, azt jelenti, hogy a termék 2012/19/EU számú európai uniós irányelv megkívánja. Kérjük, olvassa el a követelmények a helyi rendszerről a hulladék elektromossal és elektronikus berendezésekkel kapcsolatos. Helyi követelmények szerint csinálni kell. Ne dobja a terméket a normál háztartási szeméttel. Megfelelő a régi termék ártalmatlanítása segít megelőzni a lehetséges negatív következményeket a környezetre és az emberi egészségre.



A készülék fel van szerelve akkumulátorral ami megfelel a 2006/66/EC európai irányelv követelményeinek. Ne dobja az elemet a normál háztartási szeméttel. Kérjük, olvassa el a követelmények a helyi rendszerről a hulladék elektromossal és elektronikus berendezésekkel kapcsolatos. Helyi követelmények szerint csinálni kell. Ne dobja a terméket a normál háztartási szeméttel.

Információk a környezetvédelemről

A csomag csak a szükséges elemeket tartalmaz. Minden erőfeszítést tettek, hogy a csomagolóanyag három összetevője könnyen elkülönített legyen: karton (doboz), polisztirol (belső biztonság) és polietilén (zacskó, védő lap). A készülék olyan anyagból készült, melyek újrahasznosíthatók és szétszerelhetők. Kérjük, olvassa el a követelmények a helyi rendszerről a hulladék elektromossal és elektronikus berendezésekkel kapcsolatos.

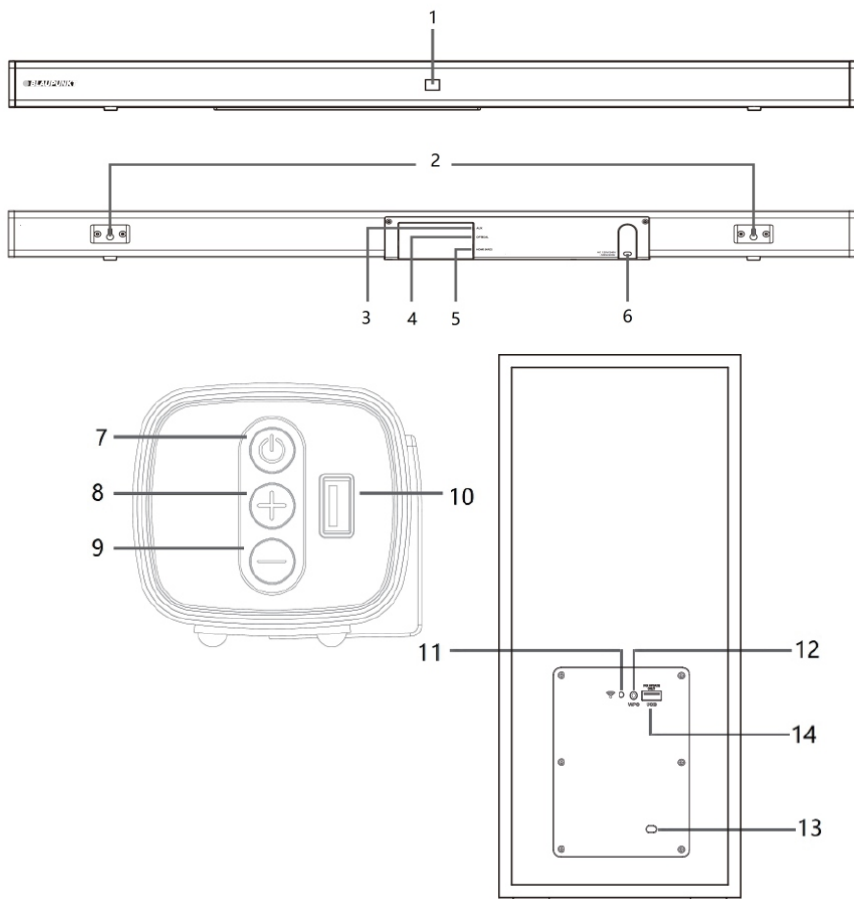
Felvételhez és lejátszáshoz engedélyre van szükség. Lásd a szerzői jogi törvényt, valamint az előadók / művészek jogairól.



A Bluetooth® szó márkajelzés és logó a Bluetooth SIG, Inc. bejegyzett védjegyei, és ezen márkajelzéseket engedéllyel használjuk. Más védjegyek és márkanevek a vonatkozó tulajdonoshoz tartoznak.

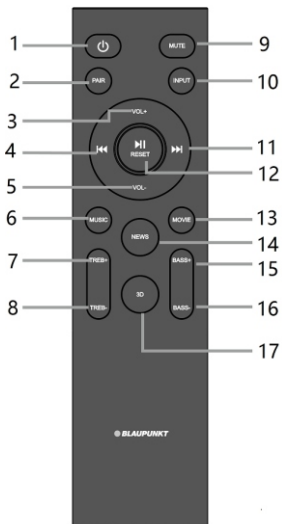
Köszönjük, hogy modellünket választotta, kérjük, a készülék bekapcsolása előtt figyelmesen olvassa el és ismerje meg ezt az útmutatót. A használati útmutatót későbbi igénybevétel céljából őrizze meg.

A kezelő elemek elhelyezése



ű

- 1 – Kijelző (BT = Bluetooth, OP = optikai bemenet, Hd = HDMI, US = USB, AU = AUX);
- 2 – Rőgzítőkonzol; 3 – AUX bemenet; 4 – Optikai bemenet; 5 – HDMI (ARC) aljzat;
- 6 – Hangprojektor váltakozó áramú tápaljzata: AC 110/240V ~ 50/60 Hz;
- 7 – Tápfeszültség/készenléti mód; 8 – Hangerő növelése;
- 9 – Hangerő csökkentése; 10 – USB aljzat lejátszáshoz;
- 11 – Kapcsolat-állapot visszajelző lámpa; 12 – WPS automatikus párosítás gomb;
- 13 – Mélynyomó váltóáramú hálózati aljzata: AC 110/240v ~ 50/60HZ; 14 – USB szervizaljzat;



Távírányító

1 – Bekapcsológomb: a készülék bekapcsolásához/kikapcsolásához nyomja meg a gombot.

2 – Párosítás gomb: Tartsa lenyomva (3 másodpercig) a gombot az aktuális Bluetooth-eszköz leválasztásához, és lépjen készenléti üzemmódba az egyéb eszközzel való párosításhoz.

3.5 – Hangerő +/- gomb: nyomja meg a hangerő beállításához.

4,11 – Előző/Következő gomb: Nyomja meg Bluetooth vagy USB lejátszási módban az előző/következő szám kiválasztásához.

6 – Zene gomb/13 – Film gomb/14 – Hírek gomb/17 – 3D gomb:

Nyomja meg a kiválasztott gombot a megfelelő hangszínszabályozó mód kiválasztásához

7, 8 – +/- Magas hang gomb: Nyomja meg a magas hangok beállításához.

9 – Némítás gomb: nyomja meg a gombot a készülék elnémítéséhez, majd ismét nyomja meg a gombot a hangerő visszaállításához.

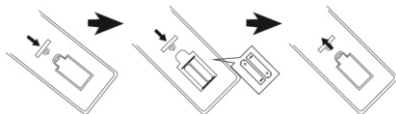
10 – Hangforrás gomb: Nyomja meg a Bluetooth/optikai bemenet/HDMI/USB/AUX lejátszási módok közötti váltáshoz.

12 – Lejátszás/szünet, visszaállítás gomb: nyomja meg a zene lejátszásához vagy szüneteltetéséhez Bluetooth vagy USB módban; Tartsa lenyomva (3 másodpercig) a készülék visszaállításához, beleértve a hangerőt, hangszínszabályozót stb.

15, 16 – Bass +/- gomb: nyomja meg a basszus szintjének beállításához.

Az elemek behelyezése a távírányítóba

Nyissa ki az elemtartót, és helyezzen be 2 db AAA elemet (a készlet tartalmazza); győződjön meg arról, hogy az elem polaritása megfelel a rekeszben feltüntetett pozitív és negatív szimbólumnak. Ezt követően zárja be az elemtartó fedelét.



Megjegyzések:

a. A távírányító 5 méteres távolságból működik a legjobban, feltéve, hogy nincs semmilyen akadály a távírányító és a hangprojektor között. A távírányító használat közben a hangprojektor elején található érzékelő felé kell irányítani.

b. A távírányító érzékenysége az elem lemerülésekor csökken. Ekkor cserélje ki az elemeket újakra.

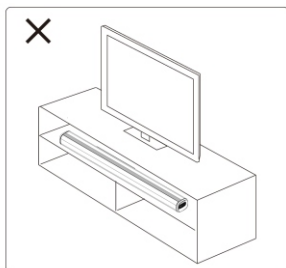
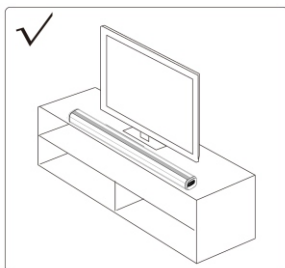
c. Ha a távírányító hosszabb ideig használaton kívül marad, vegye ki belőle az elemeket.

d. Az elemeket környezetudatos módon hasznosítsa újra. Kérjük, olvassa el a helyi hatóság követelményeit a részletekért.

Hangprojektor elhelyezése

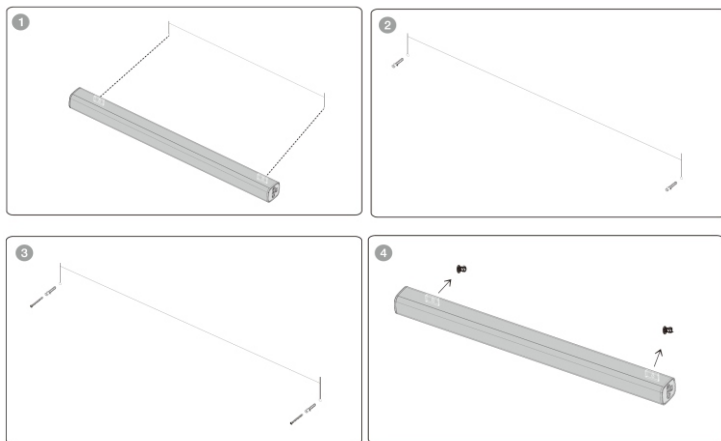
A legjobb működési távolság a hangprojektor és a vezeték nélküli mélynyomó között 6 méter (a maximális működési távolság 10 méter). Ne helyezze a mélynyomót túl messzire a hangprojektortól. A hangprojektor sima felületre helyezhető, vagy falra szerelhető az alábbi lépéseknek megfelelően:

1. Helyezze a hangprojektort vízszintes felületre: Helyezze a készüléket vízszintesen egy sima felületre, például TV-re vagy szekrényre, és igazítsa a TV képernyőjének közepéhez. Hagyon helyet a hangszóró és a fal között. Ne helyezze szekrénybe vagy polcra. A legjobb hangminőség és a hangprojektor körüli megfelelő légáramlás érdekében kövesse az alábbi tippeket.



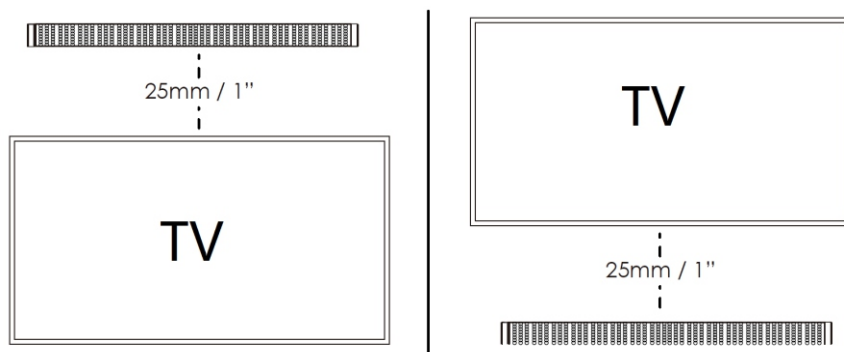
2. Falra szerelés:

- A hangprojektor segítségével jelöljön be 2 lyukat a falon egy ceruzával, a hangprojektor tartókonzolán található két nyílásnak megfelelő távolságban. Ezután fúrja ki a szerelőfuratokat.
- Helyezze a műanyag tipliket a falba, majd csavarja be a csavart a műanyag tartóelembé, de ne húzza meg teljesen a csavart. Győződjön meg, hogy maradt még némi szabad hely.
- A csavarok megfelelő becsavarását követően akassza fel a hangprojektort úgy, hogy a csavarokat a tartókonzolba helyezze.



Figyelem: Ha nem biztos abban, hogy a hangprojektort megfelelően és biztonságosan telepítette a falra, vegye igénybe tapasztalt és szakképzett személy segítségét.

A hangszórót egy megerősített falfelületre szerelje fel. Műanyag falak esetén a nagyobb biztonság érdekében ajánlott a hangszórót fali oszlopokhoz csavarozni. Az optimális teljesítmény érdekében tartson legalább 25 mm/1" távolságot a hangprojektor és a TV között.

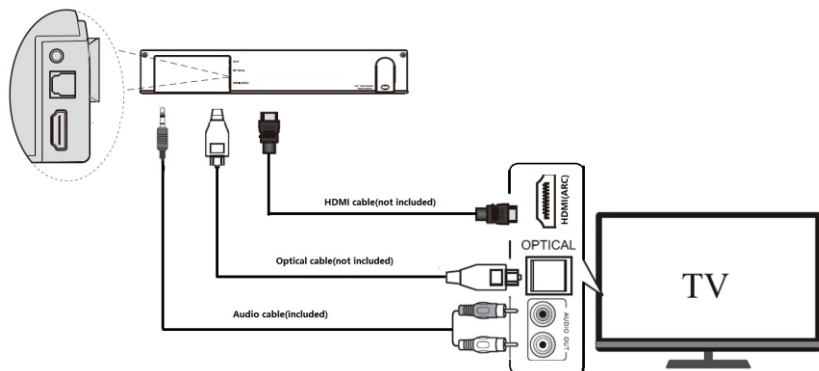


Vezetékes audio csatlakoztatás és beállítások

A hangprojektor bekapcsolása előtt csatlakoztassa az eszközt. A hangprojektor digitális (optikai és HDMI (ARC)) és analóg (AUX IN) bemenetekkel rendelkezik. Olvassa el az alábbi, Ön által birtokolt készüléknek megfelelő, csatlakoztatással kapcsolatos utasításokat.

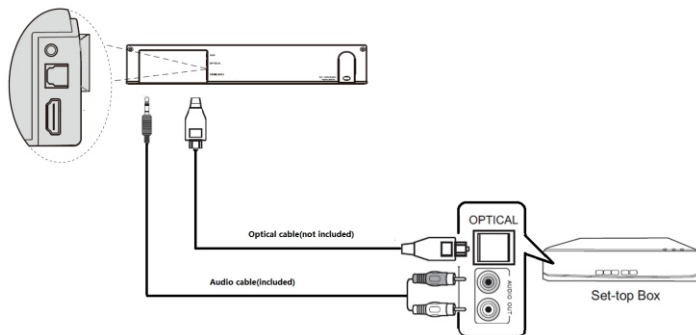
1. Hangprojektor csatlakoztatása TV-kimenethez.

Távolítsa el a védőelemet az OPTIKAI aljzatból, majd csatlakoztassa a TV OPTICAL OUT aljzatát a hangprojektor OPTIKAI bemeneti aljzatához optikai kábel segítségével (a készlet nem tartalmazza). A HDMI(ARC)/AUX kábelek csatlakoztatása ugyanígy történik.



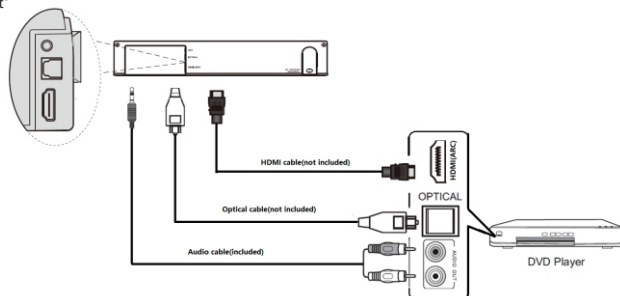
2. Hangprojektor csatlakoztatása TV dekóderhez.

Nézze meg, hogy milyen kimenetekkel rendelkezik a dekóder, majd a megfelelő kábellel csatlakoztassa a dekódert a hangprojektorhoz. A megfelelő működéshez elegendő egy típusú csatlakozó igénybevétele. Tekintse meg az alábbi ábrát.



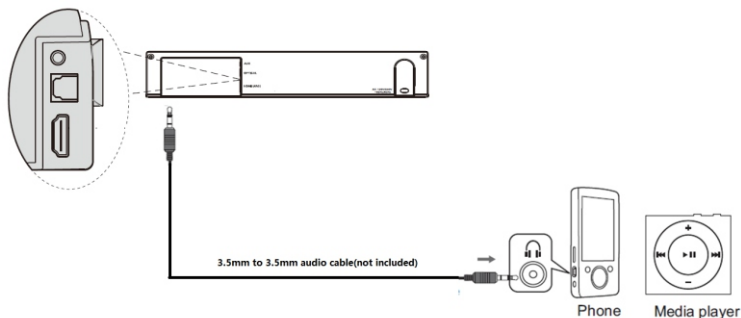
3. Hangprojektor csatlakoztatása DVD- vagy Blue-ray DVD-lejátszóhoz.

Ellenőrizze, hogy milyen kimenetekkel rendelkezik a DVD/Blue-ray DVD-lejátszó, majd csatlakoztassa a lejátszót a hangprojektorhoz a megfelelő kábellel. A megfelelő működéshez elegendő egy típusú csatlakozó igénybevétele. Tekintse meg az alábbi ábrát



4. Hangprojektor csatlakoztatása MP3-lejátszóhoz

A hangprojektor egy MP3 Link (AUX) bemenettel rendelkezik, amelyhez bármely MP3-lejátszó csatlakoztatható. Az alábbi ábrának megfelelően használjon mini-jack-vel végződő kábelt.

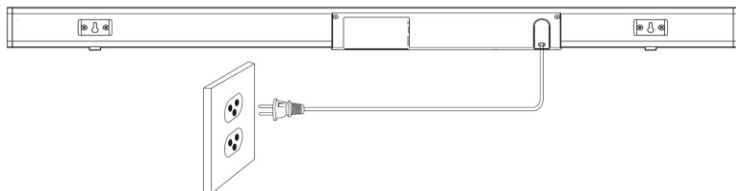


Figyelem:

1. Ha optikai kábellel vagy HDMI-vel csatlakoztatva nem hallható hang a hangprojektorból, ellenőrizze, hogy a forráseszköz digitális hangkimenetének beállítása (pl. DVD-lejátszó, játékkonzol, TV) „PCM sztereó” vagy „sztereó 2.0”. Ennek a műveletnek a végrehajtásához olvassa el a TV vagy az egyéb forráseszköz használati útmutatóját.
2. HDMI(ARC): A hangprojektor támogatja az ARC HDMI szabványt. Ha a TV HDMI ARC-kompatibilis (a részleteket lásd a TV útmutatójában), a hangprojektor segítségével egyetlen HDMI-kábellel (a készlet nem tartalmazza) játszhat le hangot a TV-ről. Előfordulhat, hogy a TV HDMI ARC aljzata más módon van jelölve. Ellenőrizze a TV útmutatójában.
3. A kimeneti hang optikai és HDMI módban hangosabb lehet, mint AUX IN módban, ami normális jelenségnek számít, mivel a digitális hangjelszint eltérhet az analóg jel szintjétől.
4. A hangprojektort a megfelelő rögzítést és csatlakoztatást követően a jelen használati utasításnak megfelelően üzemeltesse.

Használat

Áramellátás: Kérjük, ellenőrizze, hogy a tápegység megfelel-e a névleges feszültségre vonatkozó követelményeknek, amelyek a hangprojektor és a mélynyomó hátsó panelén található. Ha nem egyezik meg, kérjük, forduljon a forgalmazóhoz vagy a szervizhez. Az áramellátás biztosításához csatlakoztassa a mellékelt AC tápkábel falilámpához.



A készülék be- és kikapcsolása: röviden nyomja meg a hangprojektor bekapcsológombját a készülék bekapcsolásához; nyomja meg többször a hangforrás gombot a Bluetooth/optikai bemenet/HDMI/USB/AUX közötti váltáshoz; nyomja meg és tartsa lenyomva a bekapcsológombot (3 másodpercig) a készülék készenléti állapotba helyezéséhez. Ugyanezeket a funkciókat a távirányító bekapcsológombjának és hangforrás gombjának megnyomásával is elérheti. Ha bekapcsolja a hangprojektort és a vezeték nélküli mélynyomót, az eszközök néhány másodpercen belül automatikusan párosulnak. Ha erre nem kerül sor, próbálkozzon meg az útmutató további részében leírt kézi párosítási művelettel.

Bluetooth kezelése

A termék Bluetooth funkcióval rendelkezik, mely lehetővé teszi a vezeték nélküli zenelejátszást egy másik Bluetooth eszközzel (pl. okostelefon, tablet, TV stb.).

1. Kapcsolja be a készüléket, nyomja meg többször a távirányító hangforrás gombját a Bluetooth módba lépéshez. A „BT” szimbólum villogni kezd a kijelzőn, jelezve, hogy a készülék készen áll a párosításra.
2. Aktiválja a Bluetooth funkciót a külső eszközben, és keressen rá a párosítható készülékekre (lásd a külső eszköz használati útmutatója), majd keresse meg az elérhető Bluetooth eszközt a találati listán A párosításhoz válassza a "BP LS200" lehetőséget. A sikeres párosítás után a Bluetooth-szimbólum villogása abbamarad, és folyamatosan megjelenítésre kerül a hangprojektor kijelzőjén.
3. Válassza ki és játssza le a külső Bluetooth készüléken a kívánt zeneszámat, állítsa be a hangerőt, és a hang a hangprojektorból fog szólni.
4. Bluetooth módban a következő műveleteket hajthatja végre: előző/következő szám kiválasztása, lejátszás/szüneteltetés, némítás stb., a távirányító megfelelő gombjának megnyomásával.

Megjegyzések:

- a. A márkák közötti konstrukciós különbségek miatt nem garantálható az összes Bluetooth eszköz sikeresen párosítása.
- b. A Bluetooth leghatékonyabb működési távolsága 10 méter, amennyiben nincs akadály a készülékek között.
- c. A készüléket egyszerre csak egy Bluetooth készülékkel lehet párosítani.

d. Bluetooth lejátszás közben bejövő hívás esetén a zenelejátszás szünetel és a beszélgetés befejezése után folytatódik.
e. Az aktuális Bluetooth kapcsolatot megszakításához és egy másik készülékkel való csatlakozáshoz nyomja meg hosszan a távirányítón található párosítás gombot.

TV Bluetooth-on keresztüli csatlakoztatása: Ha a TV Bluetooth funkcióval rendelkezik, vezeték nélkül csatlakoztathatja a hangprojektorhoz, és ezáltal lejátszhatja a TV-ből érkező hangot. Kapcsolja be a Bluetooth funkciót a TV képernyőjén, és keresse meg a „BP LS200” opciót a párosítható eszközök listáján. Részletekért olvassa el a TV használati útmutatóját.

USB lejátszó kezelése

A készülék USB-lejátszási funkcióval rendelkezik, mely lehetővé teszi zene dekódolását és külső USB-tárhelyről való lejátszását. A művelet megkezdése előtt másolja át az MP3 formátumú zenefájlokat egy USB adathordozóra; helyezze be az előkészített USB adathordozót a hangprojektorba, az USB forrás csak az USB adathordozó sikeres csatlakoztatása után lesz elérhető. Ezután a készülék automatikusan kikeresi és lejátszza az MP3 formátumú zenefájlokat.

USB-lejátszás üzemmódban a távirányító megfelelő gombjának megnyomásával a következő funkciók érhetők el: zeneszám választás/Lejátszás/szüneteltetés/hangszínszabályzó/magas és mély hangok beállítása, stb.

Megjegyzések:

- Nem ajánlott USB adattároló USB hosszabbítóval való csatlakoztatása, mivel ez az adatátvitel során fellépő adatvesztéshez vezet.
- Nem garantált minden MP3/WMA-fájl lejátszása.
- Az USB-tárhely maximális kapacitása 32 GB lehet.
- Egyes USB adattárolók lejátszása igénybe vehet egy kis időt. Ez a jelenség nem minősül meghibásodásnak.

A vezeték nélküli mélynyomó és a hangprojektor kézi párosítása:

A hangprojektor alappfelszereltségként vezeték nélküli mélynyomóval van párosítva. Ha a csatlakozások során probléma lép fel, próbálkozzon az alábbiakkal:

- Csatlakoztassa a hangprojektorot a tápegységhez, kapcsolja be a készüléket, és váltson Bluetooth módba; ekkor a hangprojektor megpróbál párosulni a mélynyomóval.
- Eközben csatlakoztassa a vezeték nélküli mélynyomót is áramforráshoz és kapcsolja be. A kék LED lámpa lassan villogni fog a hátsó panelen. Nyomja meg és tartsa lenyomva 3 másodpercig a WPS AUTO PAIR gombot a mélynyomó hátsó panelén. A kék LED gyorsan villogni fog, ami azt jelenti, hogy a mélynyomó épp párosulni próbál a hangprojektorral.
- Körülbelül 20-30 másodperc elteltével a mélynyomó kék LED lámpája abbahagyja a villogást és folyamatosan világítani fog, ami a hangprojektor és a mélynyomó sikeres párosítását jelenti.
- Az első sikeres párosítás után a hangprojektor és a mélynyomó automatikusan fog egymáshoz csatlakozni.
- A vezeték nélküli mélynyomó egy másik, ugyanabba a szériába tartozó LS200SUB mélynyomóhoz csatlakoztatható. Ismételje meg a fenti műveletet, de győződjön meg arról, hogy csak a kívánt hangprojektor és vezeték nélküli mélynyomó van bekapcsolva a párosítás során.

Figyelem:

- Ha a vezeték nélküli mélynyomó be van kapcsolva, de a hangprojektor le van tiltva vagy készenléti állapotban van; néhány perc elteltével a vezeték nélküli mélynyomó kék LED lámpája pirosra vált, ezáltal jelezve a készenléti állapotot.
- Az LS200SUB használatakor megfelelő távolságot kell tartani a többi Wi-Fi/2.4G vezeték nélküli eszköztől az esetleges interferenciák elkerülése érdekében.
- A hangprojektor és a vezeték nélküli mélynyomó közötti maximális hatótávolság 10 méter nyílt tér esetén, azonban a legjobb hangparaméterek fenntartása érdekében 6 méteres távolságot javasolunk.

Problémák elhárítása

- A hangszóró nem kapcsol be.
 - Ellenőrizze, hogy az áramellátás megfelelő-e.
- Nincs hang.
 - Próbálja meg beállítani a hangerőt, ellenőrizze a némítás gombot és a hangforrást.
 - Ha a probléma továbbra is fennáll, forduljon szervizhez.
- Torzított hang.
 - Próbálja meg kisebb hangerővel lejátszani a zenét.
 - Ellenőrizze a szoprán/mélyhangok beállítását.
 - Csökkentse a hangerőt a külső eszközön, például a TV-n stb.
- Szaggat a hang Bluetooth módban.
 - Próbálja közelebb helyezni a Bluetooth eszközt a hangprojektorhoz.
- Nincs hang optikai vagy HDMI(ARC) módban.
 - Ellenőrizze, hogy a hangprojektor és a külső eszköz megfelelően van-e csatlakoztatva.
 - Győződjön meg arról, hogy a TV HDMI-kompatibilis, és hogy a megfelelő aljzatot veszi igénybe. Állítsa a TV-t HDMI ARC(CEC) módba.
 - Állítsa a TV hangkimeneti módját PCM formátumra.

6. Nem hallható hang a mélynyomóból.

a. Nyomja meg és tartsa lenyomva a WPS automatikus párosítás gombot a mélynyomó hátsó panelén a visszaállításához és a hangprojektorral való vezeték nélküli párosításhoz.

b. Kapcsolja ki és be a hangprojektort és a mélynyomót, majd manuálisan párosítsa a készüléket a jelen útmutatónak megfelelően.

c. Ha a probléma továbbra is fennáll, vegye fel a kapcsolatot a műszaki támogatási központtal.

Műszaki adatok

Általános

Tápellátás: AC110~240V 50/60Hz

Áramfelvétel (működés közben): 192 W

Teljesítményfelvétel készenléti állapotban: <0,5 W

RMS kimeneti teljesítmény: 160 W (40 W x 2 + 80 W mélynyomó)

Teljes harmonikus torzítás: <1% (1 kHz, 1 W)

Hangbemenet érzékenysége: 800mV

Sávzélesség: 45 Hz – 20 KHz

Támogatott hangformátumok USB módban: MP3/WAV

Maximális támogatott USB tárhelykapacitás: max. 32 GB.

Hangprojektor méretei: 960 x 70 x 78 mm (szél. x mag. x mély.)

Mélynyomó méretei: 170 x 380 x 306 (szél. x mag. x mély.)

Hangszórók

Hangprojektor hangszóróinak impedanciája és mérete: 4Ω *4; 2,25 hüvelyk

Mélysugárzó impedanciája és mérete: 3Ω*1; 6,5 hüvelyk

Bluetooth

Bluetooth verzió: V5.0

Működési tartomány: kb. 10 méter

Átviteli frekvencia: 2,402 ~ 2,480 GHz

Protokollok: A2DP/AVRCP

(Figyelem: a készülék műszaki adatai előzetes értesítés nélkül módosulhatnak).

Tartozékok

Távírányító x 1 db.

Távírányító eleme x 1 pár

Használati útmutató x 1 db.

Garanciaalap x 1 db.

Hangkábel (3,5 mm RCA sztereó) x 1 db

Fali rögzítőcsavarok: ST4 * 45 mm x 2 db. + műanyag rögzítőtiplik x 2 db

VAŽNE SIGURNOSNE UPUTE



OPREZ



UGROŽENJE OD ELEKTRIČNOG
UDARA NEMOJTE OTVARATI

Oprez:

Kako bi se smanjila opasnost od električnog udara, nemojte skidati poklopac niti stražnj dio uređaja. Unutar uređaja ne postoje komponente za popravak od strane korisnika. Održavanje i popravak opreme izvršava isključivo kvalificirano servisno osoblje.

Objašnjenje grafičkih simbola:



Simbol munje sa sa strelicom koji se nalazi u jednakostraničnom trokutu upozorava na prisutnost neizoliranog, opasnog napona unutar kućišta uređaja koja može postići veličinu uzrokujuću strujni udar.



Uskličnik unutar jednakostraničnog trokuta upozorava korisnika da ovdje su prezentirane važne poruke za rad i održavanje opreme u dokumentaciji priloženoj uređaju.

Pročitajte ovaj priručnik prije uporabe uređaja da se upoznate sa značajkama i kako koristiti uređaj sukladno namjeni. Ovo će osigurati dugotrajan, besprijekoran rad uređaja i zadovoljstvo uz korištenje.

Važne informacije

- Sačuvajte operativne upute i sigurnosne informacije kako bi se ih moglo koristiti u budućnosti.
- Nemojte dopustiti da na uređaj kapa ili proliva se bilo koja tekućina.
- Ne smije se također koristiti na vlažnim mjestima, kao što su npr. kupaonica.
- Ne postavljajte uređaj na sljedećim mjestima:
- Izložen suncu ili blizu grijalica.
- Na vrh druge stereo opreme koja generira toplinu.
- Tako da blokira ventilaciju ili u prašnjavom mjestu.
- U okruženju izloženom neprekidnim vibracijama.
- U područjima visoke vlage.
- Ne postavljajte uređaj blizu otvorenog plamena ili otvorene vatre.
- Uređaj se može koristiti samo na način opisan u ovim uputama.
- Prije prvog uključivanja napajanja, pobrinete se da je napajanje ispravno pripojeno.
- USB memoriju se pripaja neposredno ili preko produžnog USB kabela s dužinom do 25 cm.

Iz sigurnosnih razloga, nemojte skidati poklopce ili pristupiti unutrašnjosti uređaja. Uređaj smije popravljeti samo kvalificirano servisno osoblje.

Nemojte rastavljati uređaj ili otvarati njegovo kućište, jer unutra nema dijelova koje bi se moglo popraviti od strane korisnika. ržavanje i popravak opreme izvrši isključivo kvalificirano servisno osoblje.

Sigurnosne upute

1. Pročitajte upute - prije uporabe stroja, pročitajte sve upute i informacije o sigurnosti.
2. Sačuvajte ove upute - zadržite upute za upotrebu i održavanje kako bi se ih moglo koristiti u budućnosti.
3. Poštujte upozorenja - slijedite sva upozorenja objavljena na uređaju te koje se nalaze u uputama.
4. Slijedite upute - slijedite upute i preporuke za korisnike.
5. Montaža - montirajte uređaj prema uputama proizvođača.
6. Izvori energije - uređaj treba napajati samo iz izvora koji je naveden na naljepnicama na kabelu napajanja. Ako niste igurni koju vrstu napajanja ima vaša kuća, obratite se prodavatelju ili lokalnoj energetskoj tvrtki.
7. Uzemljenje ili polarizacija napajanja - uređaj ne mora biti uzemljen. Provjerite je li utikač potpuno umetnut u utičnicu ili u produžni kabel, kako bi se spriječio otkriće igle ili kontakata. Neke verzije stroja mogu biti opremljene polariziranim utikačem izmjenične struje (jedna lopatica je šira). Ovaj utikač se može umetnuti u utičnicu samo na jedan način. Ovo je sigurnosna značajka. Ako ne možete staviti utikač u utičnicu, pokušajte ga okrenuti. Ako utikač i dalje ne odgovara utičnici, pozovite električara da to promijeni. Ne skidajte zaštitu polariziranog utikača. Kada koristite produžni kabel ili kabel za napajanje osim isporučenog s uređajem morate imati odgovarajuće čepove i potvrdu o sigurnosti potrebnu za određenu zemlju upotrebe.
8. Osiguranje kabela za napajanje - energetski kabeli moraju biti preusmjereni na takav način kako ne bi se moglo kroz njih hoditi, pritiskivati ili obrezivati bilo kojim postavljenim objektima. Obratite posebnu pozornost na utikače, utičnice i mreže, gdje kabeli izlaze iz uređaja.
9. Preopterećenja - nemojte preopteretiti zidne utičnice, produžne kabele i električne distributere, jer ovo baš može dovesti do požara ili strujnog udara.
10. Ventilacija - uređaj mora biti pravilno provjetran. Ne postavljajte uređaj na krevet, kauč ili drugu sličnu površinu. Nemojte prekrivati stroj stolnjakom, salvetom, novinama i sl.
11. Vrućina - nemojte postavljati uređaj u blizini izvora topline kao što su grijači, radijatori, peći i ostali uređaji (pojačala) koji stvaraju toplinu. Ne stavljajte na uređaj upaljenih svijeća i drugog otvorenog plamena.
12. Voda i vlaga - kako bi se smanjio rizik od požara ili električnog udara, nemojte izlagati uređaj kiši, vlazi i vodi, na primjer u sauni ili u kupaonici. Ne koristite ovaj proizvod u blizini vode, primjerice blizu kade, umivaonika, sudopera ili kade za pranje rublja, u vlažnom podrumu ili blizu bazena (ili u drugim sličnim mjestima).

14. Čišćenje - uvijek prije čišćenja isključite uređaj iz zidne utičnice. Prašinu oko zvučnika se može ukloniti suhom krpom. Ako za čišćenje će se koristiti sredstvo u obliku aerosola, sprej ne bi se smjelo da bude usmjeren izravno na stroj, ali tkaninu. Budite oprezni da ne oštetiti pogonske jedinice.
15. Dodatna oprema - nemojte koristiti pribore koji nisu odobreni od strane proizvođača, jer mogu predstavljati prijetnju za rad uređaja i za samog korisnika.
16. Pribori - nemojte postavljati uređaj na nestabilne kolice, stalku, tronožcu, nosaču ili stolu. Uređaj se može kotrljati i oštetiti se ili uzrokovati ozbiljne ozljede djece ili odraslim osobama. Koristite samo kolice, stalke, tronožce, nosače ili stolove kojih preporučuje proizvođač ili se ih prodaje zajedno s uređajem. Montažu uređaja se mora provesti u skladu s uputama proizvođača, koristite pribore za ugradnju oobrene od strane proizvođača.
17. Premještanje stroj - uređaj postavljen na kolicama mora se premješati vrlo pažljivo. Naglo zaustavljanje, previša sila i neravne površine mogu uzrokovati da kolica s uređajem prevrne.
18. Vrijeme bez korištenja uređaja – kabel napajanja mora biti isključen iz zidne utičnice tijekom grmljavnog nevremena ili ako se ga ne koristi duže vrijeme.
19. Servisiranje - ne pokušavajte pogledati unutrašnjost uređaja sami. Otvaranje poklopca može uzrokovati opasne napone i izložiti vas drugim opasnostima. Održavanje i popravak opreme vrši isključivo kvalificirano servisno osoblje.
20. Kada stroj nije u uporabi, izvucite mrežni utikač iz zidne utičnice. Kad je uređaj pripojen na izvor napajanja, uređaj je u stanju čekanja i nije u potpunosti isključen.
21. Rezervni dijelovi – tijekom zamjene dijelova, treba provjeriti dla li serviser je koristio rezervne dijelove koje preporučuje proizvođač ili dijelove koje su identične originalnim dijelom. Izrada zamjene neodobrenih rezervnih dijelova ugrožava od požara, strujnog udara ili drugih opasnosti.
22. Glavni osigurači – da bi se konstantno osiguralo uređaj od požara, koristite osigurače samo odgovarajuće vrstu i određenih parametara. Parametri osigurača u rasponu napona su označeni na uređaju.
23. Ne smije se da se poveća glasnoća dijela kad se sluša dio s niskom glasnoćom ili u slučaju odsutnosti ulaznog audio signala. Inače, s naglim porastom snage signala možete oštetiti zvučnik.
24. Jedini način da isključite uređaj iz izvora napajanja je takav da odspojite mrežni kabel iz zidne utičnice ili uređaja. Električna utičnica ili kabel ulazne snaga na uređaju mora biti uvijek na raspolaganju kada koristite proizvod.
25. Uređaj bi trebao biti instaliran u blizini utičnice napajanja ili produžnog kabela na takav način su oni uvijek na raspolaganju.
26. Maksimalna temperatura okoline uređaja je 35°C
27. Savjeti za elektrostatička pražnjenja - ako se rad prekine zbog elektrostatičkog pražnjenja, isključite uređaj ponovno ili premjestiti ga na drugo mjesto.
28. Baterija
 - a. Baterije se ne smije izlagati pretjeranoj toplini, npr. suncu, vatri i sličnim uvjetima.
 - b. Kod zbrinjavanja baterije, obratite pažnju na aspekte okoliša.
 - c. Ponašajte se oprezno tijekom korištenjem baterija: kako bi se spriječio curenje baterije, koje može uzrokovati ozljede ili oštećenja na uređaju:
 - Pri umetanju baterija obratite pažnju na polaritet (+ i -).
 - Nemojte koristiti različite baterije u isto vrijeme - stare i nove, alkalne baterije, standardne itd.
 - Izvadite baterije iz uređaja kad se ga neće koristiti duže vrijeme.

UPOZORENJE

Uređaj ne smije biti korišten od strane osoba (uključujući djecu) sa smanjenim fizičkim, osjetilnim ili mentalnim sposobnostima te osoba s nedovoljnim znanjem i iskustvom, ako nisu one pod nadzorom osobe odgovorne za njihovu sigurnost i nisu obučeni o tome kako sigurno koristiti uređaj. Prisutnost odraslih je potrebna ako uređaj koriste djeca; ovo će osigurati sigurnu uporabu uređaja.

1. Nikada ne ostavljajte stroj da radi bez nadzora! Isključite uređaj kada nije u uporabi, čak i za kratko vrijeme.
2. Uređaj se ne može upravljati putem vanjskog sata s timerom, ili posebnim sustavom daljinskog upravljanja.
3. Da bi se izbjegla opasnost u slučaju štete za zamjenu kabela napajanja treba se obratiti proizvođaču, ovlaštenom servisu ili drugim stručnim osobama.
4. Prije uporabe uređaja, provjerite je li napon odgovara naponu koji je nastao u mrežnom naponu.
5. Nemojte prekrivati ventilacijske otvore uređaja, npr. papirom, tkaninama, zavjesama, itd. Uvjerite se da uređaj ima najmanje 20 cm slobodnog prostora, a na svakoj strani - najmanje 5 cm.
6. Nemojte dopustiti da na uređaj kapaju ili prolivaju tekućine, te nemojte stavljati posude s tekućinom, poput vaza.
7. Kako biste spriječili požar ili strujni udar, uređaj mora biti zaštićen od žarišta, kiše, vlage i prašine.
8. Ne postavljajte uređaj blizu izvora vode, npr. slavine, kade, bazena ili perlice rublja. Staviti uređaj na ravnu i stabilnu površinu.
9. Nemojte da uređaj izlažite jakim magnetskim poljima.
10. Nemojte da uređaj stavljajte izravno na pojačalu ili prijammiku.
11. Ne postavljajte uređaj na vlažnom mjestu, jer vlaga ima štetan učinak na električne komponente.
12. Dovodjenje uređaja iz hladnog u toplo vlažnom mjestu može uzrokovati kondenzaciju na leći unutar playera. U ovom slučaju, uređaj neće raditi ispravno. Uređaj se mora ostaviti uključen oko jedan sat kako bi se omogućilo isparavanje vlage.
13. Izbjegavajte korištenje kemijskih otapala, jer mogu oštetiti boju kućišta. Uređaj se obriše čistom, suhom ili vlažnom krpom.
14. Prilikom uklanjanja utikača iz zidne utičnice, uvijek povucite utikač, a ne kabel.
15. Kada uređaj se koristi u blizini uključenog televizora, ovo može biti izvor buke ili slike u obliku linije na zaslonu uređaja. Ovo ovisi o propusnosti emitiranja valova. To ne označava kvar uređaja ili televizora, ako vidite takve linije, pomaknite uređaj dalje od TV prijammika.
16. Mrežni utikač se upotrebljava za isključivanje napajanja zato mora biti uvijek na raspolaganju.
17. Da biste spriječili moguću gubitak sluha, ne slušajte glasno glazbu kroz duže vrijeme.



NAPOMENA



Izjava

Niže navedenim Blaupunkt Competence Center 2N-Everpol Sp. z o.o. izjavljuje da je ovaj proizvod u skladu sa zahtjevima i drugim relevantnim odredbama Direktive 2014/53/EU. Za potpunu Izjavu o sukladnosti posjetite stranicu www.blaupunkt.com na kartici proizvoda.

Odgovorni subjekt: 2N-Everpol Sp. Z o.o.

Puławska 403A, 02-801 Varšava, Poljska

Telefon: +48 22 331 99 59, e-mail: info@everpol.pl



Proizvod je izrađen od visokokvalitetnih materijala i dijelova koji se mogu reciklirati i ponovo upotrijebiti.



Ako vaš uređaj ima znak prekrížene kante za otpatke, ovo označava da je proizvod pokriven odredbama Europske direktive 2012/19/EU. Molimo poštuje zahtjeve lokalnog sustava za prikupljanje električnog otpada i elektroničke opreme. Radite u skladu s lokalnim propisima. Ne bacajte ovaj proizvod zajedno s kućnim otpadom. Ispravnim odlaganjem starog proizvoda spriječite ćete potencijalne negativne posljedice na okoliš i zdravlje ljudi.



Uređaj je opremljen sa baterijama obuhvaćenim Europskom direktivom 2006/66/EC. Baterije se ne smije odlagati zajedno s komunalnim otpadom. Molimo pogledajte lokalne propise o zasebnom prikupljanju baterija jer ispravnim odlaganjem spriječite ćete potencijalne negativne posljedice na okoliš i zdravlje ljudi.

Informacije o zaštiti okoliša

Paket uključuje samo nužne komponente. Svaki napor je napravljen da bit tri sastavni komponenti paketa lako odvojili: karton (kutija), polistirenska pjena (zaštita unutra) i polietilen (vrećica, zaštitna folija). Uređaj je izrađen od materijala koje se može reciklirati i ponovo upotrijebiti nakon demontaže od strane specijalizirane tvrtke. Poštujte lokalne propise o raspolaganju iskorištenih ambalažnih materijala, baterija i nepotrebne opreme.

Snimanje i reprodukcija materijala može zahtijevati pristanak. Vidi Zakon o autorskim pravima i prava izvođača/umjetnika.

Napomena o ERP2 (oprema koja se odnosi na energiju)

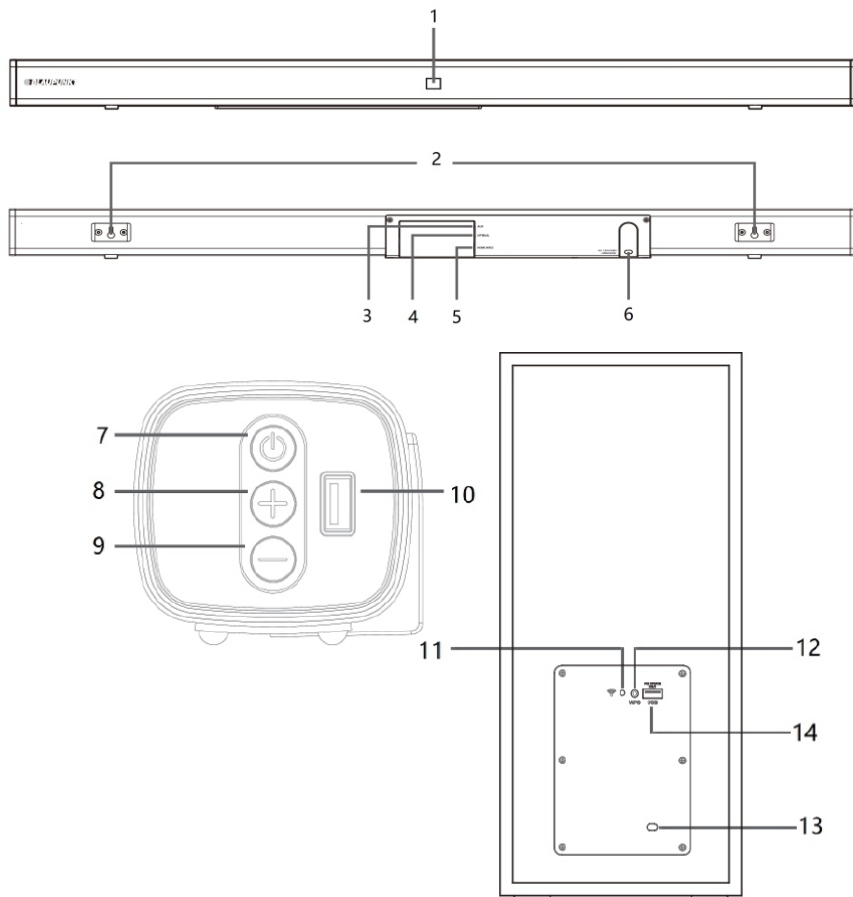
Ovaj ekodizajnirani uređaj zadovoljava zahtjeve 2. faze Uredbe Komisije (EZ) br. 1275/2008 kojom se provodi Direktivu 2009/125/EZ o potrošnji energije od strane isključenih i elektroničkih uređaja ili uređaja u modu čekanja za uredsku i kućnu uporabu.



Vlasnik zaštitnog znaka i logotipa Bluetooth® je tvrtka Bluetooth SIG, Inc. USA. Upotreba tih znakova i logotipa podliježe licenciji. Ostali zaštitni znakovi i trgovački nazivi su u vlasništvu određenih vlasnika.

Zahvaljujemo na kupnji našeg modela, pažljivo pročitajte i razumite ovaj priručnik prije pokretanja uređaja. Molimo vas da ovaj priručnik sačuvate za buduću upotrebu.

Raspored kontrolnih elemenata



1 – Prikaz (BT = Bluetooth, OP = optički ulaz, Hd = HDMI, US = USB, AU = AUX);

2 – Montažni nosači; 3 – AUX ulaz; 4 – Optički ulaz;

5 – HDMI utičnica (ARC);

6 – AC utičnica za zvučnu traku: AC 110/240 V ~ 50/60 Hz;

7 – Gumb za napajanje/stanje čekanja;

8 – Gumb za pojačavanje zvuka;

9 – Gumb za stišavanje; 10 – USB priključak za reprodukciju;

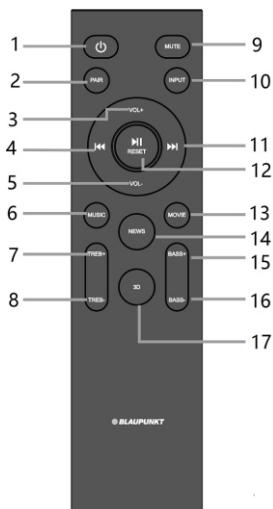
11 – LED indikator statusa veze;

12 – Gumb za WPS automatsko uparivanje;

13 – AC utičnica za subwoofer: AC 110/240v ~

50/60HZ;

14 – USB priključak za servisne svrhe;



Daljinski upravljač

1 – Gumb za napajanje: pritisnite ga za uključivanje/isključivanje uređaja.
2 – Gumb za uparivanje: Dugo pritisnite (3 sekunde) da biste odspojili trenutni Bluetooth uređaj i ušli u stanje čekanja za uparivanje s drugim uređajima.

3,5 – Gumb za glasnoću +/-: pritisnite ga za podešavanje glasnoće.

4,11 – Gumb prethodni/sljedeći: pritisnite ga za prebacivanje na prethodni/sljedeći zapis u Bluetooth ili USB načinu reprodukcije.

6 – Gumb Glazba/13 – Gumb Film/14 – Gumb Poruke/17 – Gumb 3D:

Pritisnite odabranu tipku za odabir odgovarajućeg načina ekvilajzera

7, 8 – Gumb visokih tonova +/-: pritisnite ga za podešavanje visokih tonova.

9 – Gumb za isključivanje zvuka: pritisnite ga da isključite zvuk uređaja,

pritisnite ga ponovno za nastavak zvuka.

10 – Gumb izvora zvuka: pritisnite ga za prebacivanje načina reprodukcije između Bluetooth/optičkog ulaza/HDMI/USB/AUX.

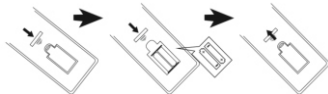
12 – Gumb Reproduciraj/zauštavi, resetiraj: pritisnite ga za reprodukciju ili pauziranje glazbe u Bluetooth ili USB načinu;

Dugo pritisnite (3 sekunde) za resetiranje uređaja, uključujući glasnoću, ekvilajzer itd.

15, 16 – gumb bas +/-: pritisnite ga za podešavanje razine basa.

Instaliranje baterija na daljinskom upravljaču

Otvorite odjeljak za baterije i umetnite 2 AAA baterije (uključene) u pretinac; pobrinite se da polaritet baterija odgovara pozitivnom i negativnom simbolu otisnutom u odjeljku. Zatim zatvorite pretinac za baterije.



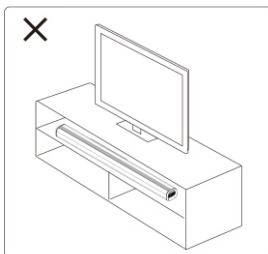
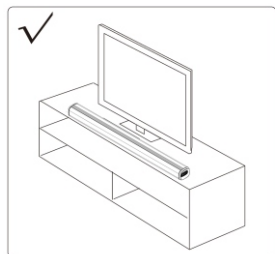
Napomene:

- Najbolja radna udaljenost za daljinski upravljač je 5 metara, bez prepreka između daljinskog upravljača i zvučne trake. Kad koristite daljinski upravljač, usmjerite ga prema senzoru daljinskog upravljača na prednjoj strani zvučne trake.
- Osjetljivost daljinskog upravljača smanjit će se kad se baterije isprazne. Tada bi ih trebalo zamijeniti novima.
- Izvadite baterije kad dulje vrijeme ne koristite daljinski upravljač.
- Baterije odložite na ekološki prihvatljiv način. Pojednosti potražite u zahtjevima lokalnih vlasti.

Postavljanje zvučne trake

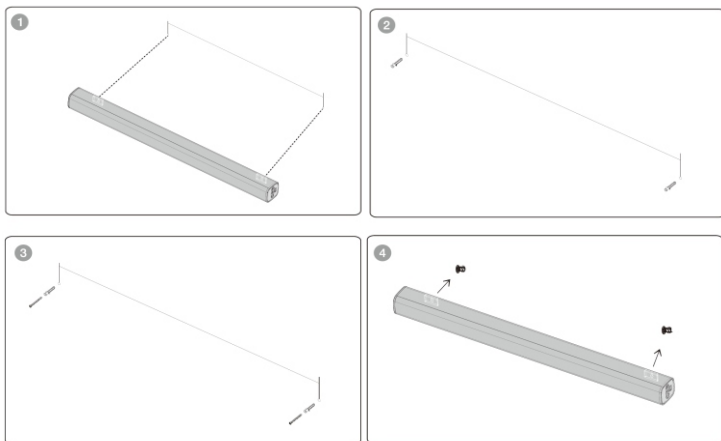
Najbolja radna udaljenost između zvučne trake i bežičnog subwoofera iznosi 6 metara (maksimalna radna udaljenost je 10 metara). Ne postavljajte subwoofer predaleko od zvučne trake. Zvučna traka može se postaviti na ravnu površinu ili postaviti na zid kako slijedi:

1. Postavite zvučnu traku na ravnu površinu: Uređaj postavite vodoravno na ravnu površinu, poput televizora ili ormarića, i poravnajte ga centralno s TV zaslonom. Ostavite malo prostora između zvučnika i zida. Ne stavljajte ga u ormar ili zidnu policu. Slijedite ove savjete za najbolju kvalitetu zvuka i dobar protok zraka oko zvučne trake.



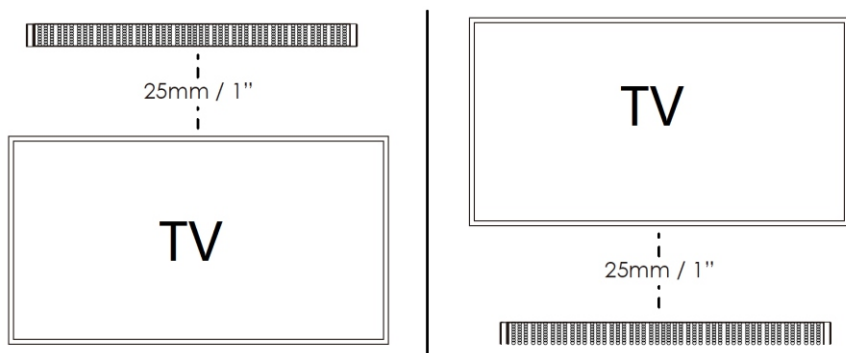
2. Montaža na zid:

- Pomoću zvučne trake olovkom olovite 2 rupe na zidu na istoj udaljenosti kao i rupe u zidnom nosaču zvučne trake. Zatim izbušite rupe za pričvršćivanje.
- Postavite plastične tiple u zid i uvrnite vijke u plastičnu kopču, nemojte pritezati vijke do kraja, pazite da ostavite malo prostora.
- Nakon što su vijci pravilno pritegnuti, objesite zvučnu traku umetanjem vijaka u nosač za zid.



Upozorenje: Ako niste sigurni kako pravilno i sigurno postaviti zvučnu traku na zid, potražite pomoć iskusne i kvalificirane osobe.

Instalirajte zvučnik na ojačanu zidnu površinu. U slučaju plastičnih zidova, preporučuje se da zvučnik privijete na zidne zavrtanje radi veće sigurnosti. Za optimalne performanse držite razmak između zvučne trake i TV-a najmanje 25 mm/1".

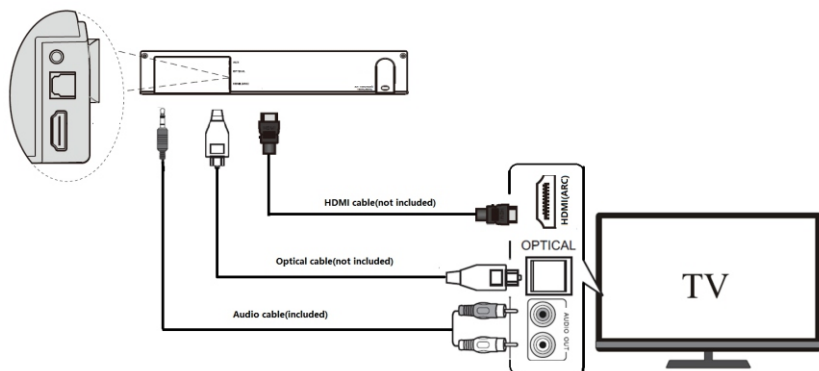


Žičana audio veza i postavke

Prvo uključite uređaj prije uključivanja zvučne trake. Zvučna traka ima digitalne (optičke i HDMI (ARC)) i analogne (AUX IN) ulaze za razne izvore. Upute za povezivanje možete pogledati u nastavku, ovisno o uređaju koji imate.

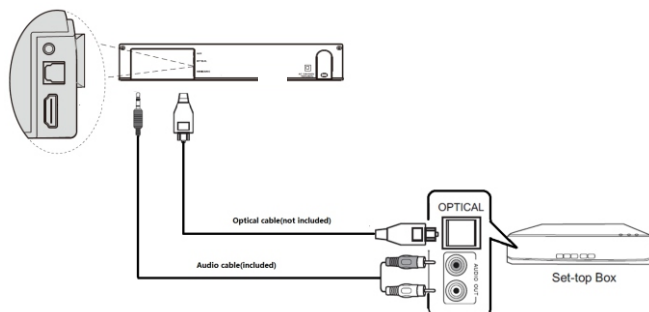
1. Spajanje zvučne trake na TV izlaze.

Uklonite zaštitnu kapicu s OPTICAL priključka, a zatim pomoću optičkog kabela (nije isporučen) spojite OPTICAL OUT priključnicu televizora na OPTICAL ulaznu utičnicu na zvučnoj traci. Veza preko HDMI (ARC) / AUX konektora je ista.



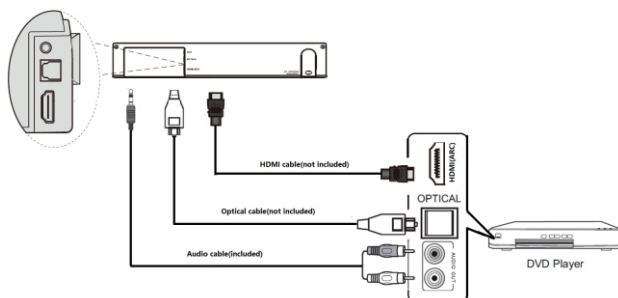
2. Spajanje zvučne trake na TV prijemnik.

Provjerite koje izlaze ima vaš dekodera, a zatim pomoću odgovarajućeg kabela povežite dekodera sa zvučnom trakom. Za ispravan rad dovoljno je spojiti se s jednom vrstom konektora. Pogledajte crtež u nastavku.



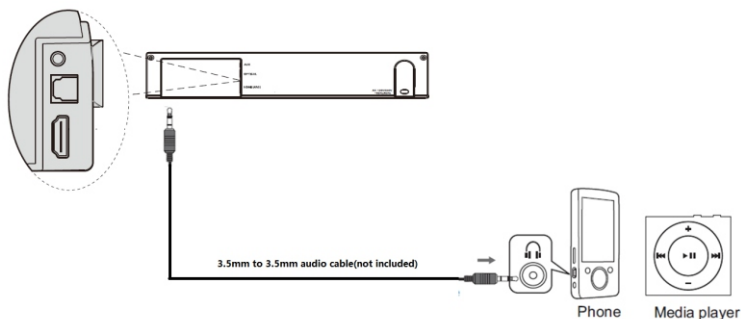
3. Spojite zvučnu traku na DVD ili Blu-ray DVD uređaj.

Provjerite koje izlaze ima vaš DVD / Blue-ray DVD uređaj, a zatim upotrijebite odgovarajući kabal za spajanje uređaja na zvučnu traku. Za ispravan rad dovoljno je spojiti se s jednom vrstom konektora. Pogledajte crtež u nastavku:



4. Spajanje zvučne trake na MP3 uređaj

Zvučna traka ima jedan ulaz MP3 Link (AUX) na koji se može spojiti bilo koji MP3 uređaj. Upotrijebite prikladni kabal završen mini utikačima kao što je prikazano na donjoj slici.

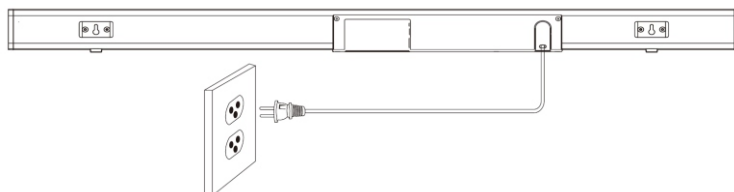


Napomena:

1. Ako sa zvučne trake nema zvuka kad je povezan optičkim ili HDMI kabelom, provjerite je li postavka digitalnog audio izlaza izvornog uređaja (npr. DVD uređaj, igraća konzola, TV) postavljena na "PCM stereo" ili "stereo 2.0". Pogledajte upute za uporabu televizora ili drugog izvornog uređaja za ovaj postupak.
2. HDMI (ARC): Zvučna traka podržava HDMI ARC standard. Ako je vaš televizor sukladan s HDMI ARC (detalje potražite u korisničkom priručniku za televizor), možete slušati zvuk s televizora putem zvučne trake pomoću jednog HDMI kabela (nije isporučen). HDMI ARC priključak na vašem televizoru može biti drugačije označen, pogledajte korisnički priručnik za vaš TV.
3. Zvučni izlaz u optičkom i HDMI načinu može biti glasniji nego u načinu AUX IN, što je normalno jer se razina digitalnog audio signala može razlikovati od razine analognog signala.
4. Nakon pravilne montaže i spajanja zvučne trake, koristite je prema ovom korisničkom priručniku.

Rukovanje

Priključak napajanja: Provjerite odgovara li izvor napajanja specifikaciji napona koja se nalazi na stražnjoj ploči zvučne trake i subwoofera. Ako ne odgovara, obratite se prodavaču ili servisnom centru. Uključite isporučeni mrežni utikač u zidnu utičnicu za izvor napajanja.



Uključivanje/isključivanje uređaja: kratko pritisnite gumb napajanja na zvučnoj traci da biste uključili uređaj; pritisnite ga više puta za prebacivanje izvora reprodukcije između Bluetooth/optičkog ulaza/HDMI/USB/AUX; pritisnite i držite (3 sekunde) tipku za uključivanje/isključivanje da biste uređaj prebacili u stanje čekanja. Iste funkcije možete dobiti i pritiskom na gumb za napajanje i zvuk na daljinskom upravljaču.

Ako uključimo zvučnu traku i bežični subwoofer, uređaji će se automatski međusobno upariti za nekoliko sekundi. Ako nije, pokušajte s ručnim uparivanjem opisanim kasnije u ovom priručniku.

Bluetooth

Ovaj proizvod ima Bluetooth funkciju koja vam omogućuje bežičnu reprodukciju glazbe s drugog Bluetooth uređaja (poput pametnog telefona, tableta, televizora itd.).

1. Uključite uređaj, pritisnite tipku izvora zvuka na daljinskom upravljaču više puta za ulazak u Bluetooth način rada, a na zaslonu će treptati simbol "BT", što znači da je uređaj spreman za uparivanje.
2. Uključite Bluetooth funkciju vanjskog uređaja i potražite dostupne uređaje za uparivanje (pogledajte korisnički priručnik za vanjski uređaj), a zatim provjerite dostupni Bluetooth uređaj na popisu. Odaberite "BP LS200" za uparivanje. Nakon uspješnog uparivanja, na zaslonu zvučne trake simbol Bluetooth prestat će treptati i postat će postojan.
3. Odaberite i reproducirajte glazbu s vanjskog Bluetooth uređaja, prilagodite glasnoću u skladu s tim, a zvuk će se emitirati kroz ovu zvučnu traku.
4. U Bluetooth načinu možete izvršiti radnje kao što su: odabir prethodne / sljedeće pjesme, reprodukcija / pauza, isključivanje zvuka itd. Pritiskom odgovarajuće tipke na daljinskom upravljaču.

Napomene:

- a. Uparivanje nije zajamčeno za sve Bluetooth uređaje zbog različitih dizajna i marki.
- b. Najbolja radna udaljenost za Bluetooth je 10 metara bez prepreka između uređaja.
- c. Uređaj istovremeno može biti uparen i raditi samo s jednim Bluetooth uređajem.
- d. Kada tijekom Bluetooth reprodukcije postoji dolazni poziv, glazba će biti privremeno zaustavljena i nastavljena nakon završetka telefonskog poziva.

e. Dugo pritiskanje tipke za uparivanje na daljinskom upravljaču može prekinuti trenutnu vezu Bluetooth uređaja i započeti uparivanje s drugim uređajem.

Bluetooth veza s televizorom: Ako vaš televizor ima Bluetooth, možete ga bežično povezati sa zvučnom trakom i reproducirati zvuk s televizora. Uključite Bluetooth na TV zaslonu i potražite "BP LS200" na popisu uređaja za uparivanje. Za detalje pogledajte upute za uporabu televizora.

Podrška za USB reprodukciju

Uređaj ima funkciju USB reprodukcije koja može dekodirati i reproducirati glazbu s vanjskog USB memorijskog uređaja. Kopirajte glazbu MP3 formata u USB memoriju prije početka postupka; umetnite pripremljeni USB stick u zvučnu traku, USB način rada dostupan je samo nakon uspješnog spajanja USB stick-a na zvučnu traku. Tada uređaj automatski otkriva i reproducira glazbu spremljenu u MP3 formatu.

U načinu USB reprodukcije, pritiskom odgovarajuće tipke na daljinskom upravljaču, dostupne su sljedeće funkcije: odabir zapisa/reprodukcija/pauza/ekvilajzer/bas i podešavanje visokih tonova, itd.

Napomene:

- Ne preporučuje se spajanje USB memorije pomoću USB produžnog kabela jer može stvoriti šum ili isprekidan zvuk zbog gubitka audio podataka tijekom prijena.
- Nisu zajamčene reprodukcije svih MP3/WMA datoteka
- Maksimalni kapacitet podržanih USB memorija je do 32 GB.
- Nekim USB flash pogonima može trebati neko vrijeme da se reproduciraju; Napominjemo da ovo nije kvar.

Ručno uparivanje bežičnog subwoofera sa zvučnom trakom:

Zvučna traka prema zadanim je postavkama uparena s bežičnim subwooferom. Ako postoji problem s vezom, isprobajte korake u nastavku:

- Spojite zvučnu traku na napajanje i uključite uređaj, pređite u Bluetooth način; tada je zvučna traka u načinu uparivanja sa subwooferom.
- U međuvremenu spojite napajanje i uključite bežični subwoofer, plava LED na stražnjoj ploči polako će treptati. Pritisnite i držite (3 sekunde) tipku WPS AUTO PAIR na stražnjoj ploči subwoofera. Plavi LED indikator će brzo treptati, što znači da se subwoofer uparuje sa zvučnom trakom.
- Nakon približno 20-30 sekundi, plava LED na subwooferu prestat će treptati i postat će stabilna, što znači da je zvučna traka uspješno uparena sa subwooferom.
- Nakon prvog uspješnog uparivanja, zvučna traka i subwoofer automatski će se povezati.
- Bežični subwoofer može se upariti s drugom LS200SUB zvučnom trakom iz iste serije. Ponovite gornji postupak, ali pri uparivanju budite sigurni da su uključeni samo željena zvučna traka i bežični subwoofer.

Napomena:

- Ako je bežični subwoofer uključen, ali je zvučna traka isključena ili je u stanju čekanja; nakon nekoliko minuta plavi LED indikator bežičnog subwoofera postat će crven dok je u stanju čekanja.
- Da biste izbjegli smetnje u kvaliteti zvuka, prilikom upotrebe LS200SUB uzrokovanog drugim bežičnim signalom držite se na dovoljno udaljenosti od drugog Wi-Fi / 2.4G bežičnog uređaja.
- Maksimalni domet veze između zvučne trake i bežičnog subwoofera iznosi 10 metara na otvorenom prostoru, kako bismo održali najbolje zvučne performanse, predlažemo udaljenost od 6 metara.

Rješavanje problema

1. Zvučnik se ne može uključiti.

- Provjerite je li mrežni priključak ispravan.

2. Nema zvuka.

- Pokušajte prilagoditi glasnoću, provjerite tipku za isključivanje zvuka i izvor reprodukcije.
- Ako se problem nastavi, obratite se servisnom centru za pomoć.

3. Izobličenje zvuka.

- Pokušajte reproducirati glazbu s nižom glasnoćom.
- Provjerite status postavke visokih tonova / basova.
- Pokušajte smanjiti glasnoću na vanjskom uređaju kao što je TV itd.

4. Prekidni zvuk u Bluetooth načinu.

- Pokušajte svoj Bluetooth uređaj približiti zvučnoj traci.

5. Nema zvuka u optičkom ili HDMI (ARC) načinu.

- Provjerite jesu li zvučna traka i vanjski uređaj pravilno povezani.
- Provjerite je li televizor kompatibilan s HDMI (ARC) i je li priključak ispravan priključak. Postavite TV na HDMI ARC (CEC).
- Postavite način audio izlaza televizora na PCM format.

6. Nema zvuka iz subwoofera.

- Pritisnite i držite tipku za automatsko uparivanje WPS na stražnjoj ploči subwoofera da biste se resetirali i bežično uparili sa zvučnom trakom.
- Isključite i ponovno uključite zvučnu traku i subwoofer, a zatim ručno uparite uređaj prema ovom vodiču.
- Ako se problem nastavi, obratite se centru za tehničku podršku.

Tehnički podaci**Opći**

Napajanje: AC110 ~ 240V 50/60Hz
Potrošnja energije (u radu): 192 W
Potrošnja energije u stanju pripravnosti: <0,5 W
RMS snaga: 160 W (40 W x 2 + 80 W subwoofer)
Ukupno harmonijsko izobličenje: <1% (1kHz, 1W)
Osjetljivost audio ulaza: 800mV
Frekvencijski odziv: 45 Hz - 20 KHz
Podržani audio formati u USB načinu: MP3 / WAV
Maksimalni podržani kapacitet USB memorije: do 32 GB maks.
Dimenzije zvučne trake: 960 x 70 x 78 mm (Š x V x D)
Dimenzije subwoofera: 170 x 380 x 306 (Š x V x D)

Zvučnici

Impedancija i veličina zvučnika zvučne trake: 4Ω *4; 2,25 inča
Impedancija i veličina woofera: 3Ω *1; 6,5 inča

Bluetooth

Verzija Bluetootha: V5.0
Raspon rada: oko 10 metara
Frekvencija prijenosa: 2.402 ~ 2.480 GHz
Protokoli: A2DP / AVRCP
(Napomene: Specifikacija proizvoda može se promijeniti bez prethodne najave).

Pribori

Daljinski upravljač x 1 kom.
Baterija za daljinsko upravljanje x 1 par
Korisnički priručnik x 1 kom.
Jamstveni list x 1 kom.
Audio kabel (3,5 mm stereo na RCA) x 1 kom.
Vijci za zidni nosač: ST4 * 45 mm x 2kom + plastični čepovi za pričvršćivanje x 2 kom.

INSTRUCȚIUNI IMPORTANTE REFERITOARE LA SIGURANȚĂ



Avertisment:

Pentru a diminua riscul de electrocutare, nu demontați capacul sau partea din spate a dispozitivului. În interiorul dispozitivului nu există elemente care să poată fi reparate de utilizator. De mentenanța și reparația echipamentului se ocupă exclusiv angajații calificați ai service-ului.

Explicarea simbolurilor grafice:



Simbolul fulgerului terminat cu o săgeată, plasat într-un triunghi echilateral, avertizează utilizatorul împotriva unei „tensiuni periculoase” neizolate în carcasa dispozitivului, care poate atinge dimensiunea pericolului de electrocutare.



Semnul exclamării într-un triunghi echilateral avertizează utilizatorul că în acest moment sunt prezentate informații importante referitoare la operarea și mentenanța echipamentului în documentația anexată la dispozitiv.

Rugăm să citiți aceste instrucțiuni înainte de a trece la operarea dispozitivului, să vă familiarizați cu funcțiile acestuia și să le folosiți conform destinației. Acest lucru va asigura o operare de lungă durată și fără avarii a dispozitivului, precum și plăcerea de a-l utiliza.

Informații importante

- Instrucțiunile de operare și informațiile referitoare la siguranță trebuie păstrate în scopul folosirii lor în viitor.
- Nu permiteți ca pe dispozitiv să picure sau să se verse vreun lichid.
- Nu îl folosiți în locuri umede, cum ar fi de ex. sala de baie.
- Dispozitivul nu poate fi montat în următoarele locuri:
- Expus la lumina directă a soarelui sau în apropierea caloriferelor.
- Plasat deasupra unui alt dispozitiv stereofonic care emite căldură.
- Blocând ventilația sau într-un loc prăfuit.
- În locuri expuse la vibrații constante.
- În locuri cu umiditate ridicată.
- Nu așezați dispozitivul în apropierea lumânărilor sau a focului deschis.
- Dispozitivul poate fi folosit exclusiv în modul descris în instrucțiunile de mai jos.
- Înainte de prima pornire, asigurați-vă că sursa de alimentare este conectată în mod corespunzător.
- Stick-urile USB se conectează direct sau folosind un prelungitor USB cu lungime de până la 25 cm.

Din motive de securitate, nu demontați carcasa, deoarece în interior nu există elemente ce ar putea fi reparate de utilizator. De mentenanța și repararea echipamentului se ocupă exclusiv angajații calificați ai service-ului.

Nu demontați și nu deschideți carcasa, deoarece în interior nu există elemente ce ar putea fi reparate de utilizator. De mentenanța și repararea echipamentului se ocupă exclusiv angajații calificați ai service-ului.

INSTRUCȚIUNI REFERITOARE LA SIGURANȚĂ

1. Citiți instrucțiunile – înainte de utilizarea dispozitivului, citiți în întregime instrucțiunile de utilizare, precum și informațiile referitoare la siguranță.
2. Urmați instrucțiunile – păstrați instrucțiunile de utilizare și operare în scopul folosirii lor în viitor.
3. Respectați avertismentele – procedați conform tuturor avertismentelor plasate pe dispozitiv, precum și conform instrucțiunilor de utilizare.
4. Urmați instrucțiunile – procedați conform instrucțiunilor de operare și indicațiilor pentru utilizator.
5. Instalare – setați dispozitivul conform instrucțiunilor producătorului.
6. Surse de alimentare – dispozitivul trebuie alimentat exclusiv de la surse cu parametrii indicați în marjele de pe cablu de alimentare. Dacă utilizatorul nu este sigur de tipul de alimentare de care dispune acasă, trebuie să contacteze vânzătorul dispozitivului sau furnizorul local de energie electrică.
7. Impănăntarea sau polarizarea alimentării – dispozitivul nu trebuie să fie împănăntat. Trebuie să vă asigurați că ștecherul este introdus complet în priză sau în prelungitor pentru a nu permite expunerea bolțurilor sau a contactelor. Unele versiuni ale dispozitivului pot fi echipate cu ștecher polarizat de curent alternativ (cu un singur bolt mai larg). Acest ștecher poate fi introdus în priză de rețea doar într-un singur mod. Aceasta este o funcție de protecție. Dacă ștecherul nu poate fi introdus în priză, trebuie încercată rotirea acestuia. Dacă ștecherul în continuare nu se potrivește la priză, trebuie solicitată înlocuirea acestui ștecher de către un electrician. Nu scoateți elementele de protecție din ștecherul polarizat. Când utilizați un prelungitor sau un cablu de alimentare altul decât cel furnizat împreună cu dispozitivul, acestea trebuie să aibă ștecherule corespunzătoare, precum și atestatul de securitate necesar în țara dată.
8. Protecția cablului de alimentare – cablurile de alimentare trebuie plasate astfel încât să nu poată fi călcate, presate sau tăiate de obiectele din jur. Acordați o atenție deosebită ștecherelor, prizelor de rețea și locurilor în care cablurile sunt direcționate de la dispozitiv.
9. Supraîncărcare – Nu supraîncărcați prizele de perete, prelungitoarele și repartitoarele electrice, deoarece acest lucru poate provoca incendii sau electrocutări.
10. Ventilație – dispozitivul trebuie să fie corect ventilat. Dispozitivul nu poate fi pus pe pat, sofa sau suprafețe similare. Nu acoperiți dispozitivul cu fețe de masă, șervețele, ziare, ș.a..
11. Căldură – nu plasați dispozitivul în apropierea unor surse de căldură, precum calorifere, radiatoare, sobe sau alte dispozitive (de asemenea amplificatoare) care generează căldură. Nu puneți pe dispozitiv lumânări aprinse și alte surse de foc deschis.

12. Apă și umezeală – pentru a reduce riscul de incendiu sau electrocutare, nu expuneți dispozitivul la ploaie, apă și umiditate directă, ca de ex. în saună sau baie. Nu folosiți dispozitivul în apropierea apei, de exemplu lângă cadă, lavoar, chiuveta de bucătărie, într-o pivniță umedă sau în apropierea unei piscine (sau în locuri similare).
13. Obiecte și lichide în dispozitiv – nu trebuie forțate niciun fel de obiecte prin deschiderile dispozitivului, deoarece acestea pot să intre în contact cu punctele de tensiune periculoasă și cu componentele, ceea ce poate provoca incendiu sau electrocutare. În niciun caz nu vărsați niciun fel de lichide pe suprafața dispozitivului. Nu puneți pe suprafața dispozitivului obiecte ce conțin lichide.
14. Curățarea – scoateți întotdeauna dispozitivul din priză înaintea de curățare. Praful din jurul difuzorului poate fi îndepărtat cu o cârpă uscată. Dacă se utilizează un aerosol pentru curățare, nu îndreptați jetul de pulverizare direct spre dispozitiv, ci spre cârpă. Aveți grijă să nu deteriorați unitățile de comandă.
15. Echipare suplimentară – nu folosiți accesorii care nu sunt aprobate de producător, deoarece pot constitui un pericol.
16. Accesorii – nu așezați dispozitivul pe un cărucior, postament, stativ, suport sau masă instabile. Dispozitivul se poate răsturna sau deteriora și poate provoca vătămări grave copiilor sau persoanelor adulte. Folosiți numai cărucioare, postamente, stativ, suporturi și mese specificate de producător sau vândute împreună cu dispozitivul. Montarea dispozitivului trebuie efectuată în conformitate cu instrucțiunile producătorului, folosind setul de montaj recomandat de producător.
17. Mutarea dispozitivului – dispozitivul plasat pe cărucior trebuie deplasat cu multă grijă. Oprirea bruscă, forța prea mare sau suprafețele neuniforme pot provoca răsturnarea căruciorului împreună cu dispozitivul.
18. Perioada de nefolosire a dispozitivului – cablul de alimentare al dispozitivului trebuie deconectat de la priza de rețea în timpul furtunilor cu descărcări atmosferice sau când dispozitivul nu va fi folosit pentru o perioadă mai lungă de timp.
19. Servisare – nu încercați să servișati singur dispozitivul. Deschiderea capacului poate duce la contactul cu o tensiune periculoasă și poate expune utilizatorul la alte pericole. De mentenanță și repararea echipamentului se ocupă exclusiv angajații calificați ai service-ului.
20. Când dispozitivul nu este utilizat, ștecherul de alimentare trebuie deconectat de la priza de rețea. Când dispozitivul este conectat la sursa de alimentare, se află în regim de stand by și nu este complet închis.
21. Piese de schimb – la înlocuirea pieselor, trebuie verificat dacă angajatul service-ului a folosit piesele de schimb recomandate de producător sau dacă aceste piese sunt identice cu cele originale. Înlocuirea cu piese neaprobate poate duce la incendii, electrocutare sau alte pericole.
22. Siguranțele principale – pentru a proteja în mod continuu dispozitivul împotriva incendiului, trebuie folosite siguranțe de tip și parametri corecți. Parametrii siguranțelor în acest interval sunt marcați pe dispozitiv.
23. Nu măriți volumul când ascultați o parte dintr-un cântec înregistrat cu volum redus sau în cazul lipsei semnalului audio de început. În caz contrar se poate ajunge la deteriorarea difuzorului în momentul creșterii rapide a intensității semnalului.
24. Singurul mod de a deconecta complet dispozitivul de la sursa de alimentare este deconectarea cablului de alimentare din priza de alimentare sau din dispozitiv. Priza de rețea sau intrarea cablului de alimentare în dispozitiv trebuie să fie mereu accesibile în timpul utilizării produsului.
25. Dispozitivul trebuie amplasat în apropierea unei prize de perete sau a unui cablu prelungitor și astfel încât să fie mereu accesibil.
26. Temperatura maximă ambiantă pentru dispozitiv este de 35°C.
27. Instrucțiuni referitoare la descărcările electrostatice – dacă funcționarea dispozitivului este perturbată de descărcări electrostatice, acesta trebuie oprit și repornit sau mutat în alt loc.
28. Bateria
 - a. Bateriile nu pot fi expuse la căldură excesivă, cum ar fi razele de soare, foc, ș.a.
 - b. Când aruncați bateriile, acordați atenție aspectelor legate de protecția mediului.
 - c. Avertisment referitor la folosirea bateriei: pentru a nu permite pierderea etanșeității bateriei, ceea ce poate provoca vătămări corporale sau deteriorare a dispozitivului:
 - În timpul introducerii bateriei, respectați polaritatea acesteia (+ și -).
 - Nu folosiți în același timp baterii diferite — vechi și noi, baterii standard și alcaline, ș.a.
 - Scoateți bateriile din dispozitiv, atunci când acesta nu este folosit pentru o perioadă mai lungă.

ATENȚIE

Dispozitivul nu trebuie folosit de persoanele (inclusiv copiii) cu capacități fizice, senzoriale sau mentale reduse, precum și de persoanele cu cunoștințe și experiență insuficiente, în cazul în care nu se află sub supravegherea unei persoane responsabile pentru siguranța lor și nu au fost instruite cum să folosească dispozitivul în condiții de siguranță. Prezența persoanelor adulte este necesară, dacă dispozitivul este folosit de copii; aceasta va permite o folosire în condiții de siguranță a dispozitivului.

1. Nu lăsați dispozitivul nesupravegheat în timpul funcționării! Dispozitivul trebuie închis când nu este folosit, chiar și pentru o perioadă scurtă de timp.
2. Dispozitivul nu poate fi folosit prin intermediul unui temporizator extern și nici cu ajutorul unui sistem separat cu comandă de la distanță.
3. Pentru evitarea pericolului în cazul deteriorării cablului de alimentare, înlocuirea trebuie efectuată de producător, de punctul autorizat de service sau de o altă persoană calificată în acest sens.
4. Înainte de a începe deservirea dispozitivului, trebuie verificat dacă tensiunea acestuia corespunde tensiunii din rețeaua locală de alimentare.
5. Nu acoperiți orificiile de ventilație ale dispozitivului cu ziare, fețe de masă, draperii, ș.a. Trebuie să vă asigurați că deasupra dispozitivului există cel puțin 20 cm de spațiu liber, iar pe fiecare parte a acestuia – cel puțin 5 cm.
6. Nu permiteți ca pe dispozitiv să picure sau să se verse vreun lichid, nu plasați pe acesta obiecte pline cu lichid, cum ar fi vasele.
7. Pentru a evita incendiile sau electrocutarea, dispozitivul trebuie protejat împotriva locurilor fierbinți, ploii, umezelii și prafului.
8. Nu așezați dispozitivul în apropierea oricărei surse de apă, de ex. robinete, căzi, mașini de spălat sau piscine. Dispozitivul trebuie plasat pe o suprafață dreaptă și stabilă.
9. Nu expuneți dispozitivul la câmpuri magnetice puternice.

10. Nu așezați dispozitivul direct pe amplificator sau amplituner.
11. Nu așezați dispozitivul într-un loc umed, deoarece umiditatea are efect dăunător asupra componentelor electrice.
12. După mutarea dispozitivului dintr-un loc rece către un loc cald sau un loc umed, se poate forma condens pe lentila din interiorul playerului. În această situație dispozitivul nu va funcționa corect. Lăsați dispozitivul să funcționeze aproximativ o oră pentru a permite evaporarea umidității.
13. Nu curățați dispozitivul cu solvenți chimici, deoarece aceștia pot distruge lacul carcasi. Dispozitivul se curăță cu o cârpă curată, uscată sau ușor umezită.
14. Când scoateți ștecherul din priză, trageți întotdeauna de ștecher, niciodată de cablul de alimentare.
15. Când dispozitivul pornit este folosit în apropierea televizorului care funcționează, acesta poate fi o sursă de interferență în imagine, sub forma de linii pe ecran. Aceasta depinde de benzile de unde ale transmisiei tv. Aceasta nu înseamnă o funcționare defectuoasă a dispozitivului sau televizorului. Dacă astfel de linii sunt vizibile, dispozitivul trebuie îndepărtat de televizor.
16. Ștecherul de rețea este folosit pentru deconectarea de la tensiunea de alimentare și trebuie să fie mereu accesibil.
17. Pentru a preveni eventuala pierdere de auz, nu ascultați muzică la volum ridicat pentru perioade lungi de timp.



ATENȚIE



Declarație

Prin prezenta Blaupunkt Competence Center 2N-Everpol Sp. z o.o. [SRL] declara că acest dispozitiv este în conformitate cu cerințele și alte dispoziții corespunzătoare ale directivei 2014/53 / UE. Declarația completă de conformitate poate fi obținută pe pagina www.blaupunkt.com în secția produsului.

Entitate responsabilă: 2N-Everpol Sp. Z o.o.
Puławska 403A, 02-801 Varșovia, Polonia
Telefon: +48 22 331 99 59, e-mail: info@everpol.pl



Produsul a fost realizat din materiale și componente de înaltă calitate, ce pot fi reciclate și reutilizate.



Dacă pe dispozitiv se află semnul coșului de gunoi tăiat, aceasta înseamnă că produsul se înscrie în dispozițiile directivei europene 2012/19/EU. Trebuie citite cerințele referitoare la sistemul local de colectare a deșeurilor electrice și electronice. Respectați reglementările locale. Nu aruncați acest produs împreună cu deșeurile menajere obișnuite. Eliminarea corectă a produsului vechi va preveni potențialele consecințe negative pentru mediu și sănătatea umană.



Dispozitivul este echipat cu baterii care fac obiectul directivei europene 2006/66/EC. Bateriile nu pot fi aruncate împreună cu deșeurile menajere. Consultați reglementările locale privind colectarea separată a bateriilor, deoarece eliminarea corectă va împiedica potențialele consecințe negative pentru mediul natural și sănătatea umană.

Informații privind protecția mediului înconjurător

Ambalajul conține doar elementele necesare. S-au făcut toate eforturile ca cele trei materiale componente ale ambalajului să fie ușor de separat: cutia de carton (cutia), spuma de polistiren (protecție interioară) și polietilena (pungi, folie protectoare). Dispozitivul a fost produs din materiale ce pot fi reciclate și reutilizate după demontarea lor de către o firmă specializată. Trebuie respectate reglementările locale referitoare la eliminarea materialelor de ambalare, bateriilor folosite și a echipamentelor inutile.

Înregistrarea și redarea materialelor poate necesita obținerea unei autorizații. Consultați legea referitoare la drepturile de autor și drepturile executanților / artiștilor.

Remarcă referitoare la ERP2 (dispozitive legate de energie)

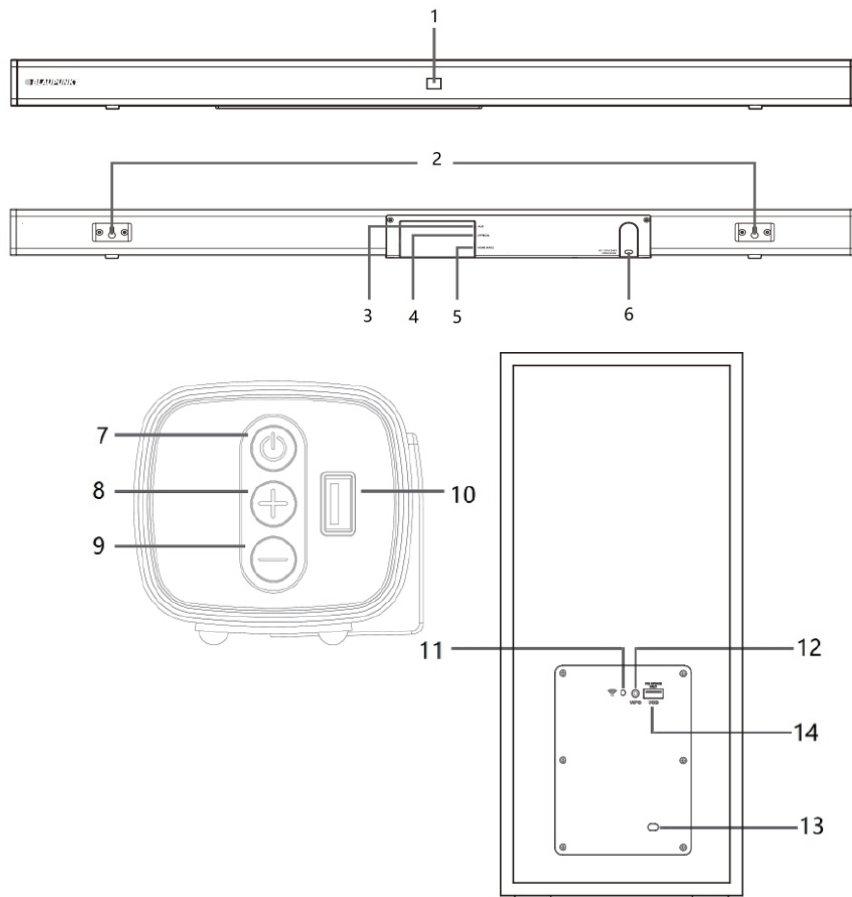
Prezentul dispozitiv cu ecoproiect îndeplinește cerințele etapei 2 din Regulamentul Comisiei (CE) nr 1275/2008 care introduce directiva 2009/125/CE referitoare la consumul de energie al dispozitivelor electronice de birou și de uz casnic, închise sau aflate în regim de stand by.



Proiectarul mărcilor comerciale și siglei Bluetooth® este compania Bluetooth SIG, Inc. USA. Folosirea acestor mărci și sigle este supusă unei licențe. Alte mărci și denumiri comerciale aparțin respectivilor proprietari.

Vă mulțumim că ați cumpărat modelul nostru, vă rugăm să citiți și să înțelegeți cu atenție acest manual înainte de a porni dispozitivul. Vă rugăm să păstrați acest manual pentru referințe viitoare.

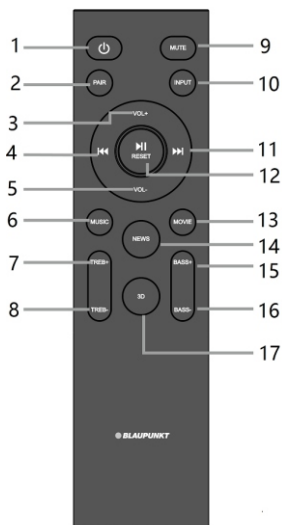
Amenajarea comenzilor



1 – Afișa (BT = Bluetooth, OP = intrare optică, Hd = HDMI, US = USB, AU = AUX);
 2 – Suporturi de montare; 3 – Intrare AUX; 4 – Intrare optică;
 6 – Priză de curent alternativ pentru barei de sunet: AC 110/240 V ~ 50/60 Hz;
 7 – Buton de alimentare/mod de așteptare;
 9 – Buton de reducere a volumului;
 11 – Indicator de stare a conexiunii LED;
 13 – Priză subwoofer de curent alternativ: AC 110/240v ~ 50/60Hz;

5 – Port HDMI (ARC);

8 – Buton de creștere a volumului;
 10 – Port USB pentru redare;
 12 – Buton de asociere automată WPS;
 14 – Port USB în scopuri de service;

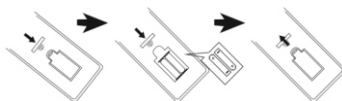


Telecomandă

- 1 – Butonul de pornire:** apăsați-l pentru a porni/opri dispozitivul.
2 – Buton de asociere: Apăsați lung (3 secunde) pentru a deconecta dispozitivul Bluetooth actual și a intra în modul de așteptare pentru asocierea cu alte dispozitive.
3,5 – Buton de volum +/-: apăsați-l pentru a regla nivelul volumului.
4,11 – Butonul Anterior/Următor: apăsați-l pentru a comuta la piesa anterioară / următoare în modul de redare Bluetooth sau USB.
6 – Buton muzică/13 – Buton film/14 – Buton știri/17 – Buton 3D: Apăsați butonul selectat pentru a selecta modul egalizator corespunzător
7, 8 – Buton înalte +/-: apăsați-l pentru a regla nivelul înalților.
9 – Butonul mute: apăsați-l pentru a dezactiva dispozitivul, apăsați-l din nou pentru a relua sunetul.
10 – Buton sursă audio: Apăsați-l pentru a comuta modul de redare între Bluetooth/Intrare optică/HDMI/USB/AUX.
12 – Butonul redare/pauză, resetare: apăsați-l pentru a reda sau întrerupe muzica în modul Bluetooth sau USB; Apăsați lung (3 secunde) pentru a reseta dispozitivul, inclusiv volumul, egalizatorul etc..
15, 16 – buton bas +/-: apăsați-l pentru a regla nivelul basului.

Instalarea bateriilor telecomenzii

Deschideți compartimentul pentru baterii și introduceți 2 baterii AAA (incluse) în compartiment; asigurați-vă că polaritatea bateriilor corespunde simbolului pozitiv și negativ imprimat în interiorul compartimentului. Apoi închideți compartimentul bateriei.



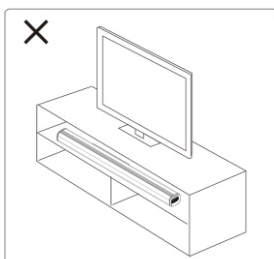
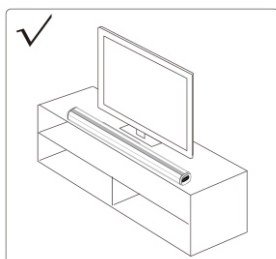
Comentarii:

- Cea mai bună distanță de lucru pentru telecomandă este de 5 metri, fără obstrucție între telecomandă și bara de sunet. Când utilizați telecomanda, îndreptați-l spre senzorul telecomenzii din partea din față a barei de sunet.
- Sensibilitatea telecomenzii va scădea atunci când bateriile sunt descărcate. Apoi, acestea ar trebui înlocuite cu altele noi.
- Scoateți bateriile atunci când nu utilizați telecomanda pentru o lungă perioadă de timp.
- Aruncați bateriile într-un mod ecologic. Consultați cerințele autorității locale pentru detalii.

Plasarea barei de sunet

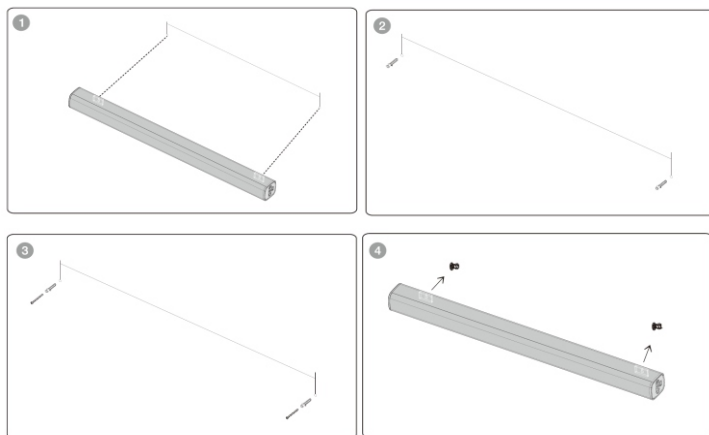
Cea mai bună distanță de lucru între bara de sunet și subwooferul wireless este de 6 metri (distanța maximă de lucru este de 10 metri). Nu amplasați subwooferul prea departe de bara de sunet. Bara de sunet poate fi așezată pe o suprafață plană sau montată pe un perete, după cum urmează:

- Amplasați bara de sunet pe o suprafață plană:** Așezați dispozitivul orizontal pe o suprafață plană, cum ar fi un televizor sau un dulap, și aliniați-l central cu ecranul televizorului. Lăsați puțin spațiu între difuzor și perete. Nu-l puneți într-un dulap sau raft de perete. Urmăți aceste sfaturi pentru cea mai bună calitate a sunetului și un flux de aer bun în jurul barei de sunet.

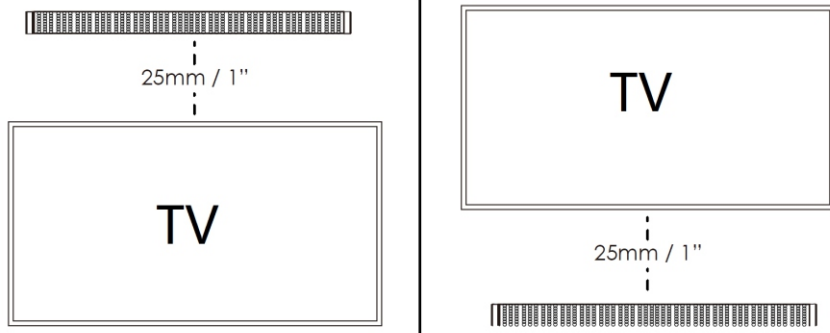


2. Montare pe perete:

- Folosind o bară de sunet, creionează 2 găuri pe perete la aceeași distanță cu găurile din suportul de perete al barei de sunet. Apoi găuriți găurile de montare.
- Așezați diblurile din plastic în perete și înșurubați șuruburile în clema de plastic, nu strângeți șuruburile până la capăt, asigurați-vă că lăsați puțin spațiu.
- După ce șuruburile sunt strânse corespunzător, suspendați barei de sunet -ul introducând șuruburile în suportul de montare pe perete.



Avvertizare: Dacă nu sunteți sigur cum să montați corect și în siguranță bara de sunet pe perete, vă rugăm să primiți ajutor de la o persoană experimentată și calificată. Instalați difuzorul pe o suprafață de perete întărită. În cazul pereților din plastic, este recomandat să înșurubați difuzorul la știfturile de perete pentru o securitate mai mare. Pentru o performanță optimă, păstrați o distanță de cel puțin 25 mm între barei de sunet și televizor.

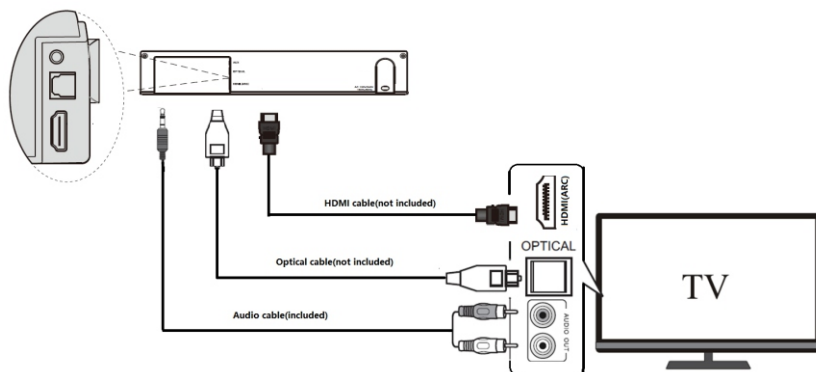


Conexiune audio prin cablu și setări

Vă rugăm să vă conectați mai întâi dispozitivul înainte de a porni bara de sunet. Bara de sunet are intrări digitale (optice și HDMI (ARC)) și analogice (AUX IN) pentru diverse surse. Puteți consulta instrucțiunile de conectare de mai jos, în funcție de dispozitivul pe care îl aveți.

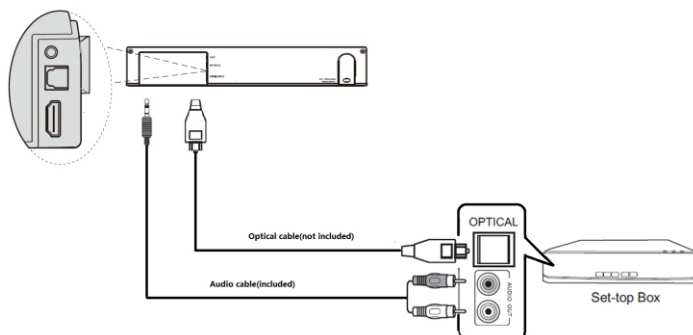
1. Conectarea barei de sunet la ieșirile TV.

Scoateți capacul de protecție din mufa OPTICAL, apoi utilizați un cablu optic (nu este furnizat) pentru a conecta mufa OPTICAL OUT a televizorului la mufa de intrare OPTICAL de pe bara de sunet. Conexiunea prin conectorul HDMI (ARC) / AUX este aceeași.



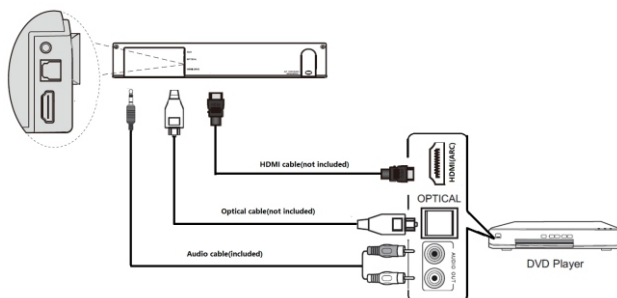
2. Conectarea barei de sunet la un set-top box TV.

Verificați ce ieșiri are decodorul dvs. și apoi utilizați cablul corespunzător pentru a conecta decodorul la bara de sunet. Pentru o funcționare corectă, este suficient să vă conectați cu un tip de conector. Verificați desenul de mai jos.



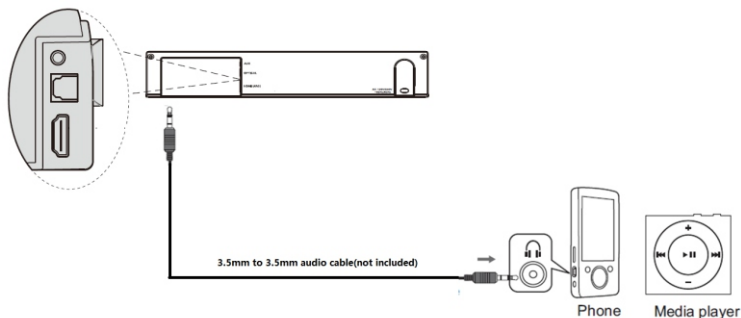
3. Conectați bara de sunet la un DVD sau Blu-ray DVD player.

Verificați ce ieșiri are playerul DVD / Blue-ray DVD, apoi utilizați cablul corespunzător pentru a conecta playerul la bara de sunet. Pentru o funcționare corectă, este suficient să vă conectați cu un tip de conector. Verificați desenul de mai jos:



4. Conectarea barei de sunet la un player MP3

Bara de sunet are o intrare MP3 Link (AUX) la care poate fi conectat orice player MP3. Utilizați un cablu adecvat terminat cu prize mini-jack, așa cum se arată în figura de mai jos.



Atenție:

1. Dacă nu există sunet provenit de la bara de sunet atunci când este conectat cu un cablu optic sau HDMI, asigurați-vă că setarea de ieșire audio digitală a dispozitivului sursă (de exemplu, DVD player, consolă de jocuri, TV) este setată la „PCM stereo” sau „stereo 2.0”. Consultați instrucțiunile de operare ale televizorului sau ale altui dispozitiv sursă pentru această operație.

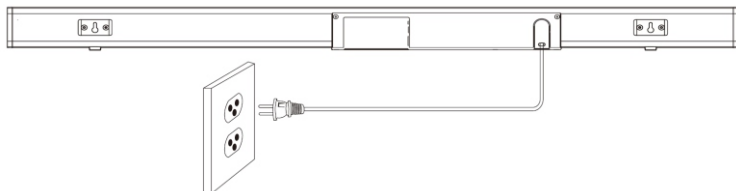
2. **HDMI (ARC):** bara de sunet acceptă standardul HDMI ARC. Dacă televizorul dvs. este compatibil HDMI ARC (consultați manualul de utilizare al televizorului pentru detalii), puteți asculta audio TV prin bara de sunet folosind un singur cablu HDMI (nu este furnizat). Conectorul HDMI ARC de pe televizor poate fi etichetat diferit, vă rugăm să consultați manualul de utilizare al televizorului.

3. Ieșirea sunetului în modul Optic și HDMI poate fi mai puternică decât în modul AUX IN, ceea ce este normal deoarece nivelul semnalului audio digital poate fi diferit de nivelul semnalului analogic.

4. După asamblarea și conectarea corectă a barei de sunet, utilizați-o conform acestui manual de utilizare.

Funcționarea

Conexiune de alimentare: Verificați dacă sursa de alimentare respectă specificațiile de tensiune de pe panoul din spate al barei de sunet și al subwooferului. Dacă nu se potrivește, consultați distribuitorul sau centrul de service. Conectați fișa de alimentare CA inclusă la o priză de perete pentru sursă zasilania.



Pornirea/oprirea dispozitivului: apăsați scurt butonul de alimentare de pe bara de sunet pentru a porni dispozitivul; apăsați-l în mod repetat pentru a comuta sursa de redare între Bluetooth/Intrare optică/HDMI/USB/AUX; țineți apăsat (3 secunde) butonul de alimentare pentru a pune dispozitivul în modul de așteptare. Puteți obține, de asemenea, aceleași funcții apăsând butonul de alimentare și audio de pe telecomandă.

Dacă pornim bara de sunet și subwooferul wireless, dispozitivele se vor împerechea automat între ele în câteva secunde. Dacă nu, încercați operația de asociere manuală descrisă mai târziu în acest manual.

Bluetooth

Acest produs are o funcție Bluetooth care vă permite să redați fără fir muzică de pe un alt dispozitiv Bluetooth (cum ar fi smartphone, tabletă, televizor etc.).

1. Porniți dispozitivul, apăsați butonul sursă audio de pe telecomandă în mod repetat pentru a intra în modul Bluetooth, iar simbolul „BT” va clipi pe afișaj, ceea ce înseamnă că dispozitivul este pregătit pentru asociere.

2. Activați funcția Bluetooth a dispozitivului extern și căutați dispozitivele de asociere disponibile (vă rugăm să consultați manualul de utilizare al dispozitivului extern), apoi verificați dispozitivul Bluetooth disponibil în listă. Selectați „BP LS200” pentru asociere. După asocierea cu succes, pe afișajul barei de sunet, simbolul Bluetooth nu va mai clipi și va deveni constant.

3. Selectați și redați muzică de pe un dispozitiv Bluetooth extern, reglați volumul în consecință, apoi sunetul va fi emis prin această bară de sunet.

4. În modul Bluetooth, puteți efectua operații precum: selecția piesei anterioare / următoare, redarea / pauzele, mutarea etc., apăsând butonul corespunzător de pe telecomandă.

Comentarii:

a. Asocierea nu este garantată pentru toate dispozitivele Bluetooth datorită diferitelor modele și mărci.

b. Cea mai bună distanță de lucru pentru Bluetooth este de 10 metri, fără obstrucție între dispozitive.

c. Dispozitivul poate fi asociat doar și poate funcționa cu un singur dispozitiv Bluetooth la un moment dat.

d. Când există un apel primit în timpul redării prin Bluetooth, muzica va fi întreruptă temporar și va fi reluată după încheierea apelului telefonic.

e. Apăsați lung butonul de asociere de pe telecomandă pentru a încheia conexiunea curentă a dispozitivului Bluetooth și pentru a începe asocierea cu un alt dispozitiv.

Conexiune Bluetooth la televizor: Dacă televizorul dvs. are Bluetooth, îl puteți conecta fără fir la bara de sunet și puteți reda audio de pe televizor. Porniți Bluetooth pe ecranul televizorului și căutați „BP LS200” în lista de dispozitive de asociere. Pentru detalii, consultați instrucțiunile de utilizare ale televizorului.

Support pentru redare USB

Dispozitivul are o funcție de redare USB care poate decoda și reda muzică de pe un dispozitiv de memorie USB extern. Înainte de a începe operațiunea, copiați muzica în format MP3 pe memoria USB; introduceți stick-ul USB pregătit în bara de sunet, modul USB este disponibil numai după conectarea cu succes a stick-ului USB la bara de sunet. Apoi, dispozitivul detectează și redă automat muzica salvată în format MP3.

În modul de redare USB, prin apăsarea butonului corespunzător de pe telecomandă, sunt disponibile următoarele funcții: selecție pistă / redare / pauză / egalizator / bas și reglare înalte etc.

Comentarii:

- Nu este recomandat să conectați o memorie USB utilizând un cablu prelungitor USB, deoarece poate genera zgomot sau sunet intermitent din cauza pierderii de date audio în timpul transferului.
- Nu toate fișierele MP3 / WMA sunt garantate pentru a fi redare
- Capacitatea maximă a stick-urilor USB acceptate este de până la 32 GB.
- Unele unități flash USB pot dura ceva timp pentru a reda; Vă rugăm să rețineți că aceasta nu este o defecțiune.

Asocierea manuală a subwooferului wireless cu bara de sunet:

Bara de sunet este asociată în mod implicit cu subwooferul wireless. Dacă există o problemă de conectare, încercați pașii de mai jos:

- Conectați bara de sunet la alimentare și porniți dispozitivul, treceți în modul Bluetooth; apoi bara de sunet este în modul de asociere cu subwooferul.
- Între timp, conectați alimentarea și porniți subwooferul wireless, LED-ul albastru de pe panoul din spate va clipi lent. Țineți apăsat (3 secunde) butonul WPS AUTO PAIR de pe panoul din spate al subwooferului. Indicatorul LED albastru va clipi rapid, înseamnă că subwooferul se imperechează cu bara de sunet.
- După aproximativ 20-30 de secunde, LED-ul albastru de pe subwoofer nu va mai clipi și va deveni constant, indicând faptul că bara de sunet a fost cuplată cu succes cu subwooferul.
- După prima asociere reușită, bara de sunet și subwooferul se vor conecta automat.
- Subwooferul wireless poate fi asociat cu o altă bară de sunet LS200SUB din același lot. Repetați operațiunea de mai sus, dar asigurați-vă că numai bara de sunet dorită și subwooferul wireless sunt activate în timpul asocierii.

Atenție:

- Dacă subwooferul wireless este pornit, dar bara de sunet este oprită sau în modul de așteptare; după câteva minute, indicatorul LED albastru al subwooferului wireless va deveni roșu, deoarece se află în modul de așteptare.
- Pentru a evita interferențele de calitate audio, atunci când utilizați LS200SUB cauzat de alt semnal wireless, păstrați o distanță suficientă de alte dispozitive wireless Wi-Fi/2.4G.
- Gama maximă de conexiune între bara de sunet și subwooferul wireless este de 10 metri într-un spațiu deschis, pentru a menține cea mai bună performanță a sunetului, vă sugerăm o distanță de 6 metri.

Probleme de dispozitiv și rezolvare

- Difuzorul nu poate porni.
 - Verificați dacă conexiunea de alimentare este corectă.
- Fără sunet.
 - Încercați să reglați volumul, verificați butonul de mutare și sursa de redare.
 - Contactați centrul de service pentru asistență dacă problema persistă.
- Distorsiunea sunetului.
 - Încercați să redați muzică la un nivel de volum mai mic.
 - Verificați starea setării pentru înalte / bas.
 - Încercați să reduceți volumul pe un dispozitiv extern, cum ar fi un televizor etc.
- Sunet intermitent în modul Bluetooth.
 - Încercați să vă apropiați de dispozitivul Bluetooth de bara de sunet.
- Nu există sunet în modul Optic sau HDMI (ARC).
 - Verificați dacă bara de sunet și dispozitivul extern sunt conectate corect.
 - Asigurați-vă că televizorul este compatibil HDMI (ARC) și că portul corect este conectat. Setări televizorul la HDMI ARC (CEC).
 - Setați modul de ieșire audio al televizorului în format PCM.
- Niciun sunet de la subwoofer.
 - Apăsăți și mențineți apăsat butonul de asociere automată WPS de pe panoul din spate al subwooferului pentru a reseta și asocia cu firul fără fir cu bara de sunet.
 - Oprțiți și reporniți bara de sunet și subwooferul, apoi asociați manual dispozitivul conform acestui ghid.
 - Contactați Centrul de asistență tehnică dacă problema persistă.

Specificații**General**

Alimentare: AC110 ~ 240V 50/60Hz
Consum de energie (în funcțiune): 192 W
Consum de energie de așteptare: <0,5W
Putere RMS: 160 W (40 W x 2 + 80 W subwoofer)
Distorsiune armonică totală: <1% (1kHz, 1W)
Sensibilitate intrare audio: 800mV
Răspuns în frecvență: 45 Hz - 20 KHz
Formate audio acceptate în modul USB: MP3 / WAV
Capacitate maximă de memorie USB acceptată: până la 32 GB max.
Dimensiunile barei de sunet: 960 x 70 x 78 mm (L x l x A)
Dimensiuni subwoofer: 170 x 380 x 306 (L x l x A)

Difuzoare

Impedanță și dimensiune difuzor barei de sunet: 4Ω *4; 2,25 inci
Impedanță și dimensiunea wooferului: 3Ω *1; 6,5 inci

Bluetooth

Versiune Bluetooth: V5.0
Domeniu de lucru: aproximativ 10 metri
Frecvența transmisiei: 2,402 ~ 2,480 GHz
Protocoloale: A2DP/AVRCP
(Note: Specificațiile produsului pot fi modificate fără notificare prealabilă).

Accesorii

Telecomandă x 1 buc
Baterie pentru telecomandă x 1 pereche
Manual de utilizare x 1 buc
Card de garanție x 1 buc.
Cablul audio (stereo de 3,5 mm la RCA) x 1 buc
Șuruburi de montare pe perete: ST4 * 45mm x 2buc + șuruburi de montare din plastic x 2buc

ВАЖНИ ИНСТРУКЦИИ ЗА БЕЗОПАСНОСТ



ОПАСНОСТ ОТ ТОКОВ



УДАР
НЕ ОТВАРЯЙ

Внимание:

За да се намали рискът от токов удар, не се разрешава демонтиране на капака, дори и на задната част на устройството. В самото устройство няма елементи, предназначени за самостоятелно ремонтване от потребителите. С обслужване и ремонтване на оборудването се занимават единствено квалифицирани служители на сервиса.

Обяснение на графичните символи:



Светкавица, завършваща със стрелка, в равностранен триъгълник предупреждава потребителя за неизолотирано, „опасно“ напрежение около устройството, което напрежение може да има размери, заплашващи с токов удар.



Удивителният знак в равностранен триъгълник предупреждава потребителя, че в този момент в документацията, прикачена към устройството, се предоставя важна информация за обслужването и запазването на оборудването.

Моля, прочетете тази инструкция, преди да пристъпите към обслужване на устройството, за да се запознаете с неговите функции и да го използвате съгласно неговото предназначение. Това ще Ви осигури дълготрайно, безаварийно обслужване на устройството и удоволствие от използването му.

Важна информация

- Запазете инструкцията за ползване, както и информацията за безопасност, с цел използване в бъдеще.
- Да не се допуска прокапване или протичане на течност върху устройството.
- Също да не се използва на влажни места като например в баня.
- Да не се инсталира това устройство на следните места:
- Изложени на непосредствено действие на слънчеви лъчи или близо до радиатори.
- Да не се поставя на повърхността на друго стереофонично оборудване, което отделя топлина.
- Ако ще блокира вентилация или в прашно помещение.
- На места, изложени на постоянна вибрация.
- На места с висока влажност.
- Да не се поставя устройството близо до свещи или открит огън.
- Устройството може да се използва единствено по начина, описан в настоящата инструкция.
- Преди първото включване на захранването трябва да се уверите, че зарядното устройство е включено правилно.
- USB паметта се свързва непосредствено или с помощта на USB кабел с дължина до 25 см.

От съображения за сигурност да не се демонтират конструкциите, както и да не се осигурява достъп до вътрешността на устройството. Забранено е отварянето на устройството, както и отварянето на неговата конструкция, тъй като вътре няма части, които биха могли да бъдат поправени от потребителя. С обслужването и поправката на оборудването се занимават единствено квалифицирани служители на сервиса.

ИНСТРУКЦИИ ЗА БЕЗОПАСНОСТ

1. Прочетете инструкцията – преди употреба прочетете цялата инструкция за обслужване, както и информацията за безопасност.
2. Запазете инструкцията – запазете инструкцията за употреба и обслужване с цел по-нататъшно използване.
3. Спазвайте предупрежденията – постъпвайте съгласно с всички предупреждения, поместени на устройството и съгласно с инструкцията за употреба.
4. Спазвайте инструкциите – постъпвайте съгласно с инструкцията за употреба и насоките за потребителя.
5. Инсталация - настройвайте устройството в съответствие с инструкциите на производителя.
6. Източници на захранване - захранвайте устройството само от източници с параметри, посочени на захранващия кабел. Ако не сте сигурни каква енергия имате въкъси, трябва да се свържете с продавача на устройството или местния доставчик на електрическа енергия.
7. Заземяване или поляризация на захранването – устройството не трябва да бъде заземявано. Уверете се, че щепселът е изцяло пъхнат в електрическата мрежа или удължителния кабел, за да не се откриват щифтовете или контактите. Някои версии на устройството могат да бъдат оборудвани с поляризиран адаптер за променлив ток (с по-широк щифт). Този щепсел може да бъде вкаран в гнездото само по един начин. Това е функция за обезопасяване. Ако не можете да поставите щепсела в гнездото, опитайте да го обърнете. Ако щепселът все още не се побира в гнездото, поискайте от електротехник да го смените. Не изваждайте предизпителите от поляризиращ щепсел. Ако използвате удължителен кабел или захранващ кабел, различен от тези, предоставени с устройството, той трябва да има съответните щепсели и одобрения за безопасност, изисквани в дадената страна.
8. Обезопасяване на захранващия кабел - Захранващите кабели трябва да бъдат насочвани така, че да не може да се стъпва по тях, да не бъдат притискани или прерязани от поставени върху тях предмети. Обърнете специално внимание на щепселите, контактите и мястото, където кабелите се извеждат от устройството.
9. Претоварване - Не претоварвайте стенните контакти, удължителите и електро-разпределителите, тъй като това може да доведе до пожар или токов удар.
10. Вентилация - устройството трябва да бъде охлаждаемо правилно. Не поставяйте устройството на легло, диван или подобни повърхности. Не покривайте уреда с покривки, салфетки, вестници и др.
11. Топлина - не поставяйте устройството в близост до източници на топлина като радиатори, лъчеви нагреватели, печки или други уреди (включително топлинни генератори), които произвеждат топлина. Не поставяйте запалени свещи или друг открит огън върху устройството.

12. Вода и влага - За да намалите риска от пожар или токов удар, не излагайте устройството на пряк дъжд, вода или влага, например в сауната или в банята. Не използвайте това устройство близо до вода като вана, мивка, кухненска мивка или вана, в мокро помещение или в близост до плувен басейн (или на подобни места).
13. Предмети и течности в устройството - не вкарвайте предмети през отворите на устройството, тъй като могат да влязат в контакт с опасни точки и компоненти на напрежение, което може да доведе до пожар или токов удар. При никакви обстоятелства не трябва да разливате течности по повърхността на устройството. Не поставяйте върху устройството предмети, съдържащи течности.
14. Почистяване - Преди почистяване винаги изключвайте устройството от контакта. Прахът около високоговорителя може да премахнете с помощта на суха кърпа. Ако за почистяването ще използвате аерозол, не насочвайте пръскачката директно към устройството, а към кърпата. Внимавайте да не повредите задвижващите устройства.
15. Допълнително оборудване - Не използвайте аксесоари, които не са одобрени от производителя, тъй като те могат да представляват риск.
16. Аксесоари - Не поставяйте устройството върху нестабилна количка, стойка, статив, конзола или маса. Устройството може да се преобръне и повреди, както и може да причини сериозни наранявания у деца или възрастни. Използвайте само колички, стойки, стативи, конзоли и маси, определени от производителя или продавани заедно с устройството. Сглобете уреда съгласно инструкциите на производителя, като използвате монтажния комплект, препоръчан от производителя.
17. Преместване на устройството - устройството, поставено на количката, трябва да се премества много внимателно. Внезапно спиране, твърде голяма сила или неравна повърхност може да доведе до преобръщане на количката заедно с устройството.
18. Период на неизползване на устройството - Изключете захранващия кабел от контакта по време на гръмотевични бури, или когато не използвате уреда за по-дълъг период от време.
19. Обслужване - не се опитвайте самостоятелно да правите преглед на устройството. Отварянето на капака може да доведе до опасно напрежение и да изложи потребителя на други опасности. С консервация и ремонтниране на оборудването се занимават единствено квалифицирани служители на сервиза.
20. Когато устройството не е в употреба, извадете захранващия кабел от контакта. Когато устройството е свързано към източник на захранване, то е в режим на готовност и не е напълно изключено.
21. Резервни части - при подмяна на части се уверете, че техникът е използвал препоръчаните от производителя резервни части или също, че частите са идентични с оригиналните. Подмяната с неодобрени части може да доведе до пожар, токов удар или други опасности.
22. Главни предпазители - за да предпазите устройството за постоянно от пожар, използвайте предпазители от съответния тип и параметри. Параметрите на предпазителите в даден обхват на напрежение са обозначени на устройството.
23. Не увеличавайте силата на звука, когато слушате част от песен с ниска сила на звука или при липсата на входен аудио сигнал. В противен случай при бързото увеличаване на силата на сигнала може да се стигне до повреда на високоговорителя.
24. Единственият начин за напълно изключване на устройството от източника на захранване е да изключите захранващия кабел от контакта или от устройството. Винаги, когато използвате устройството, трябва да има достъпен захранващ контакт или захранващ кабел.
25. Устройството трябва да се постави близо до контакт или удължителен кабел и така, че да е винаги достъпно.
26. Максималната температура на околната среда на устройството е 35 ° C.
27. Инструкции за електростатично разреждане - ако работата на устройството е прекъсната от електростатичен разряд, изключете уреда и повторно включете устройството или го преместете на друго място.
28. Батерия
 - a. Не излагайте батериите на прекомерна топлина като например слънчеви лъчи, огън и др.
 - b. Когато използвате батериите, обърнете внимание на изискванията за опазване на околната среда.
- в. Предупреждение за използване на батерията: За да не се стигне до изтичане на батерията, което може да доведе до нараняване или повреда на устройството:
 - , При поставяне на батерията, обърнете внимание на нейните полюси (+ и -).
 - , Не използвайте едновременно различни батерии - стари и нови, стандартни и алкални и др.
 - , Извадете батериите от устройството, ако няма да го използвате за по-дълъг период от време.

ВНИМАНИЕ

- Устройството не трябва да се използва от хора (включително деца) с намалени физически, сензорни или психически способности и лица с недостатъчни познания и опит, освен ако не са под наблюдението на лице, отговорно за тяхната безопасност и не са инструктирани как безопасно да използват устройството. Необходимо е присъствие на възрастни, ако устройството се използва от деца; това ще осигури безопасно използване на устройството.
1. Не оставяйте устройството без надзор! Изключвайте устройството, когато не го използвате, дори и за кратко време.
 2. Не включвайте устройството чрез възнен часовник, нито чрез отделна система за дистанционно управление.
 3. За да избегнете опасност при повреда на захранващия кабел, подмяната трябва да се извърши от производителя, от упълномощен сервизен център или от друго квалифицирано лице.
 4. Преди да използвате уреда се уверете, че напрежението му съответства на напрежението на местното захранване.
 5. Не покривайте вентилационните изходи, например с вестници, покривки, завеси и др. Уверете се, че над устройството има най-малко 20 см свободно пространство и от всяка страна на уреда - най-малко 5 см.
 6. Не допускайте да капят или да се разливат течности или не поставяйте предмети, съдържащи течности като например вази.
 7. За да избегнете пожар или токов удар, предпазвайте устройството от горещи места, дъжд, влага и прах.
 8. Не поставяйте устройството близо до водоизточници като кранове, вани, перални машини или плувни басейни. Поставете устройството на равна и стабилна повърхност.
 9. Не излагайте устройството на силни магнитни полета.
 10. Не поставяйте устройството директно върху усилвателя или приемника.
 11. Не поставяйте устройството на влажно място, тъй като влагата има вреден ефект върху електрическите компоненти.
 12. При внасяне на устройството от студено на топло или на влажно място, може да се образува конденз върху обектива въртре в плътера. В този случай устройството няма да работи правилно. Оставете включения уред в продължение на около един час, за да може влагата да се изпари.

13. Не почиствайте устройството с химически разтворители, тъй като те могат да повредят лаковото покритие на конструкцията. Избършете устройството с чиста, суха или леко влажна кърпа.

14. Когато изваждате щепсела от контакта, винаги издърпвайте щепсела, а не захранващия кабел.

15. Когато устройството е включено в близост до телевизор, то може да е източник на смущения под формата на линии на екрана. Това зависи от дължината на телевизионната вълна. Не означава неизправност на устройството или телевизора. Ако видите такива линии, преместете устройството далеч от телевизора.

16. Захранващият щепсел се използва за изключване на захранващото напрежение и трябва да е винаги на разположение.

17. За да предотвратите евентуална загуба на слух, не слушайте силна музика в продължение на дълги периоди от време.



ВНИМАНИЕ



Декларация

С настоящото Blaupunkt Competence Center 2N-Everpol Sp. z o.o. декларира, че това устройство отговаря на изискванията и други приложими разпоредби на Директива 2014/53 / на ЕС. Пълната декларация за съответствие може да бъде намерена на www.blaupunkt.com в раздела за продукти.

Отговорно лице: 2N-Everpol Sp. z o.o.

Puławska 403A, 02-801 Warszawa, Polska

Телефон: +48 22 331 99 59, e-mail: info@everpol.pl



Продуктът е произведен от висококачествени материали и компоненти, които могат да бъдат рециклирани и повторно използвани.



Ако на устройството има знак със задраскано кошче за отпадъци, това означава, че продуктът е обхванат от Европейската директива 2012/19 / ЕС. Запознайте се с изискванията на местната система за събиране на електрически и електронни отпадъци. Следвайте местните разпоредби. Не изхвърляйте този продукт заедно с обикновените битови отпадъци. Правилното изхвърляне на стария продукт ще предотврати потенциални негативни последици за околната среда и човешкото здраве.



Устройството е оборудвано с батерии, които са част от европейска директива 2006/66/ЕС. Не изхвърляйте батериите заедно с битови отпадъци. Запознайте се с изискванията на местната система за събиране на батерии, тъй като правилната употреба на стария продукт ще предотврати потенциални негативни последици за околната среда и човешкото здраве.

Информация за опазване на околната среда

Пакетът съдържа само необходимите елементи. Положени са всички усилия, за да се гарантира, че трите компонента на опаковката са лесни за разделяне: картонена кутия, полистиролова пяна (вътрешна защита) и полиетилен (торбички, защитен лист). Устройството е изработено от материали, които могат да бъдат рециклирани и повторно използвани, след като се демонтират от специализирана фирма. Спазвайте местните разпоредби за изхвърляне на опаковъчни материали, отпадъчни батерии и ненужно оборудване.

Записването и възпроизвеждането на материали може да изисква съгласие. Вижте Закона за авторските права и правата на изпълнителите/ артистите.

Забележка относно ERP2 (на устройства, свързани с енергопотребление)

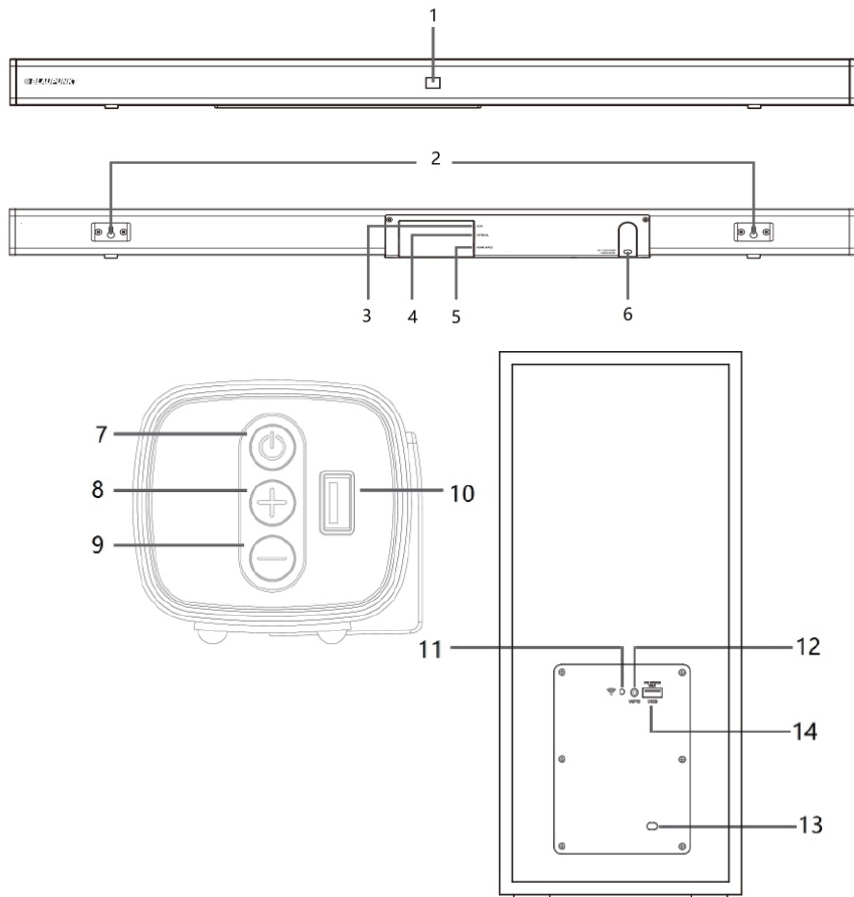
Настоящото устройство с екопроект отговаря на изискванията на етап 2 от Регламента на Комисията (ЕО) № 1275/2008 за прилагане на Директива 2009/125 / ЕО относно консумацията на енергия от електроуреди за офиса и дома.



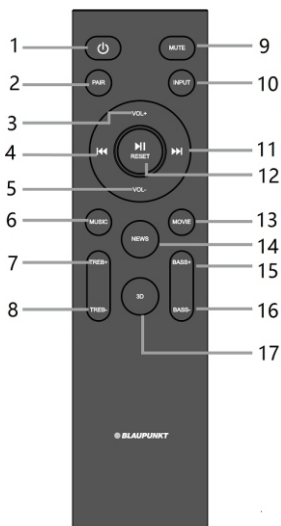
Собственик на търговските знаци и логото Bluetooth® е фирма Bluetooth SIG, Inc. USA. Използването на тези знаци и логото подлежи на лицензиране. Другите знаци и търговски названия принадлежат на съответните собственици.

Благодарим Ви, че избрахте нашия модел, моля, запознайте се внимателно с настоящата инструкция, преди да започнете да го използвате. Моля, съхранявайте инструкцията за бъдещи справки.

Разположение на елементите за управление



- 1 – Дисплей (BT = Bluetooth, OP = оптичен вход, Hd = HDMI, US = USB, AU = AUX);
 2 – Монтажни профили; 3 – Вход AUX; 4 – Оптичен вход; 5 – Гнездо HDMI (ARC);
 6 – Гнездо за захранване на саундбара с променлив ток: AC 110/240 V ~ 50/60 Hz;
 7 – Бутон на захранване/режим готовност; 8 – Бутон за увеличаване на силата на звука;
 9 – Бутон за намаляване на силата на звука; 10 – USB порт за възпроизвеждане;
 11 – Диоден индикатор за състоянието на връзката; 12 – Бутон WPS за автоматично сдвояване;
 13 – Гнездо за захранване на субфера с променлив ток: AC 110/240v ~ 50/60HZ;
 14 – USB порт за сервизни цели;

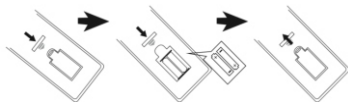


Дистанционно управление

- 1 – Бутон на захранването:** натиснете, за да включите/изключите устройството.
- 2 – Бутон за сдвояване:** Натиснете продължително (3 секунди), за да изключите текущото Bluetooth устройство и да влезете в режим готовност, за да се сдвоите с други устройства.
- 3,5 – Бутон за сила на звука +/-:** натиснете го, за да регулирате нивото на силата на звука.
- 4,11 – Бутон предишно/следващо произведение:** натиснете го, за да превключите предишното/следващото произведение в Bluetooth или USB режим на възпроизвеждане.
- 6 – Бутон Музика/13 – Бутон Филм/14 – Бутон Новини/17 – Бутон 3D:** Натиснете избрания бутон, за да изберете подходящ режим на еквалайзера
- 7, 8 – Бутон на високи тонове +/-:** натиснете го, за да зададете нивото на високите тонове.
- 9 – Бутон за изключване на звука:** натиснете, за да изключите звука на устройството, натиснете отново, за да възобновите звука.
- 10 – Бутон за източника на звука:** натиснете го, за да превключите режима на възпроизвеждане между Bluetooth/оптичен вход/HDMI/USB/AUX.
- 12 – Бутон възпроизвеждане/пауза, ресетване:** натиснете го, за да възпроизвеждате или да спрете музиката в Bluetooth или USB режим; Натиснете бутона продължително (3 секунди), за да ресетнете устройството, включително силата на звука, еквалайзера и т.н.
- 15, 16 – Бутон на баса +/-:** натиснете го, за да регулирате нивото на баса.

Инсталиране на батериите в дистанционното управление

Отворете капака на гнездото и поставете 2 батерии AAA в гнездото (доставени в комплекта); уверете се, че полярността на батериите съответства на положителния и отрицателния символ, нанесени в отделението. След това затворете гнездото на батериите.



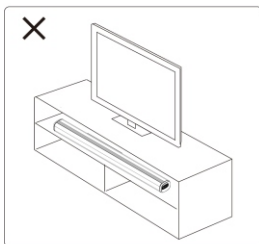
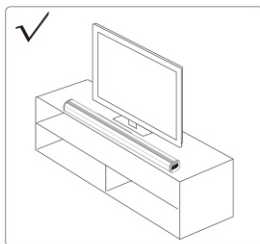
Забелжки:

- а. Най-доброто разстояние за работа на дистанционното управление е 5 метра, без никакви препятствия между дистанционното управление и саундбара. Когато използвате дистанционното управление, насочете го към датчика за дистанционно управление, разположен в предната част на саундбара.
- б. Чувствителността на дистанционното управление ще намалее, когато батериите се изтопят. Тогава те трябва да бъдат заменени с нови.
- в. Ако няма да използвате дистанционното управление през по-дълъг период от време - извадете батериите.
- г. Батериите трябва да се обезвредят по екологосъобразен начин. За повече информация моля, вижте изискванията на местните власти.

Разположение на саундбара

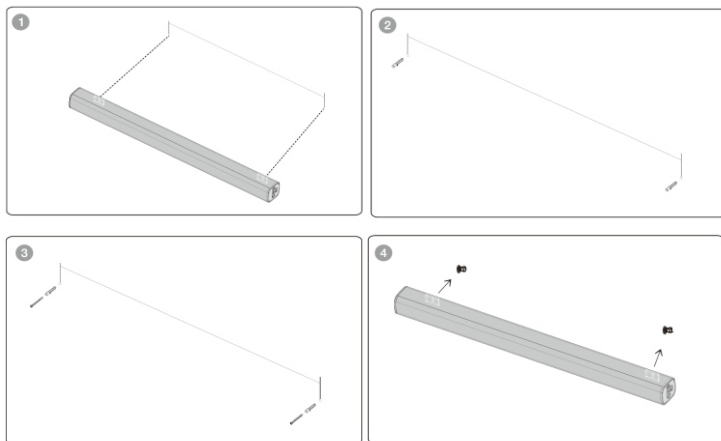
Най-доброто разстояние за работа между саундбара и безжичния субуфер е 6 метра (максималният работен обхват е 10 метра). Не поставяйте субуфера твърде далеч от саундбара. Саундбарът може да бъде поставен върху равна повърхност или монтиран на стената по следния начин:

- 1. Поставяте саундбара върху равна повърхност:** Поставете устройството хоризонтално върху равна повърхност като например телевизор или шкаф и го подравнете централно с екрана на телевизора. Оставете малко пространство между високоговорителя и стената. Не го поставяйте в шкаф или върху стенен рафт. Моля, следвайте тези указания, за да получите най-доброто качество на звука и добра циркулация на въздуха около саундбара.



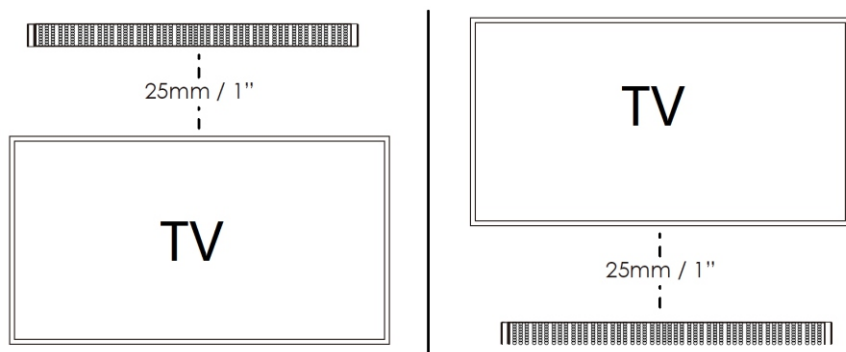
2. Монтаж на стената:

- С помощта на саундбара маркирайте 2 отвора върху стената с молив на същото разстояние като отворите в монтажните профили на саундбара. След това пробийте монтажните отвори.
- Поставете пластмасовите дюбели в стената и завийте винтовете в тях, не стягайте винтовете напълно, уверете се, че сте оставили малко място.
- След като винтовете са правилно затегнати, закачете саундбара, като поставите винтовете в монтажния профил за стенен монтаж.



Предупреждение: Ако не сте сигурни за правилния и безопасен монтаж на саундбара на стената, възползвайте се от помощта на опитно и квалифицирано лице.

Инсталирайте високоговорителя върху подсилена повърхност на стената. В случай на пластмасови стени се препоръчва да монтирате високоговорителя към стенните стълбове за по-голяма безопасност. За оптимална работа, трябва да запазите разстояние от най-малко 25 mm/1" между саундбара и телевизора.

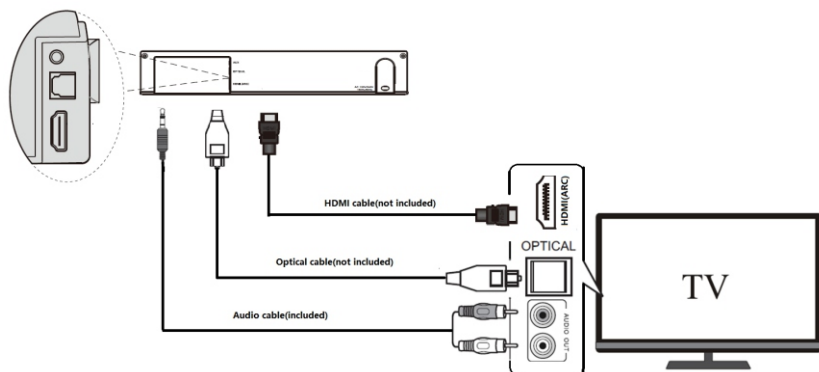


Аудио кабелна връзка и настройки

Преди да включите саундбара, моля, първо свържете устройството. Саундбарът има цифрови (оптични и HDMI (ARC)) и аналогови (AUX IN) входове за различни източници. Можете да се запознаете със следните инструкции за свързване в зависимост от даденото устройство.

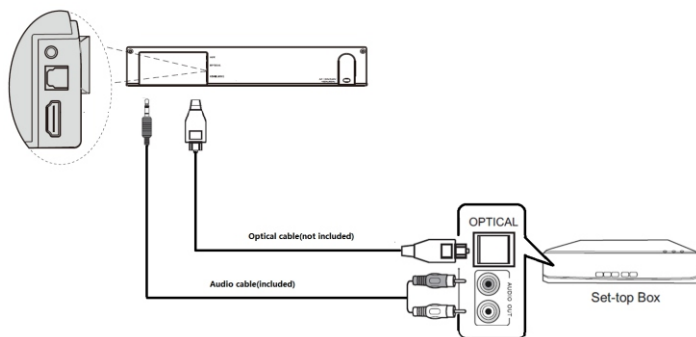
1. Свързване на саундбара с изходите на телевизора.

Отстранете защитната капачка от гнездото OPTICAL, след което с помощта на оптичен кабел (не е приложен в комплекта) свържете изходящото гнездо OPTICAL OUT на телевизора с гнездото OPTICAL на саундбара. Връзката с гнездата HDMI(ARC)/ AUX се прави по същия начин.



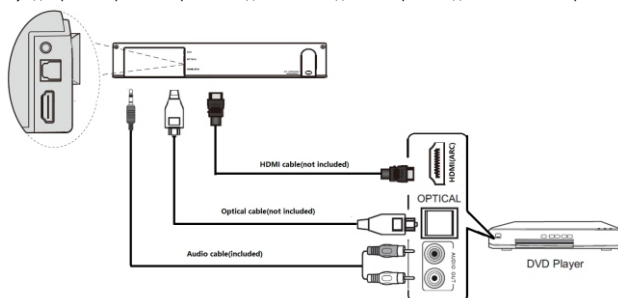
2. Свързване на саундбара с декодера на телевизора.

Проверете какви изходи има Вашият декодер и след това с помощта на подходящ кабел свържете декодера към саундбара. За правилна работа е достатъчно да се свърже с един тип конектор. Вижте фигурата по-долу.



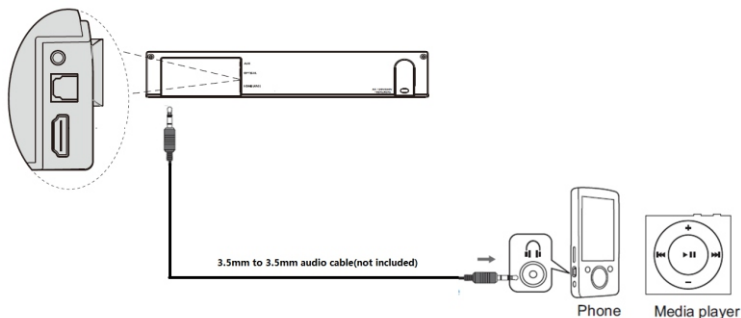
3. Свързване на саундбара към DVD или Blu-ray DVD плейър.

Проверете какви изходи има Вашият DVD/Blue-ray DVD плейър и след това с помощта на подходящ кабел свържете плейъра към саундбара. За правилна работа е достатъчно да се свърже с един тип конектор. Вижте фигурата по-долу:



4. Свързване на саундбара към MP3 плейър

Саундбарът има един вход MP3 Link (AUX), към който може да бъде свързан всеки MP3 плейър. Използвайте подходящ кабел, завършващ с буква mini-jack, както е показано по-долу.

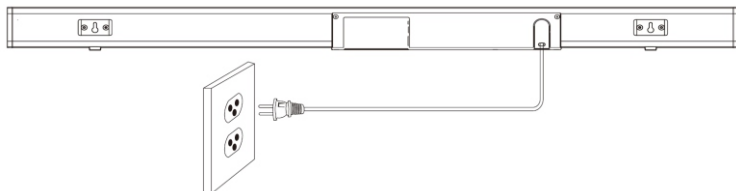


Забележка:

1. Ако от саундбара няма звук, когато е свързан чрез оптичен или HDMI кабел, трябва да се уверите, че настройката на цифровия аудио изход на източника (напр. DVD плейър, игрална конзола, телевизор) е настроена на „PCM stereo“ или „stereo 2.0“. Вижте инструкцията за употреба на телевизора или друг вид източник, за да извършите тази настройка.
2. HDMI(ARC): Саундбарът обслужва стандарт HDMI ARC. Ако Вашият телевизор съответства на стандарт HDMI ARC (за подробна информация вижте инструкцията на телевизора), можете да възпроизведате звук от телевизора си с помощта на саундбара, като използвате един HDMI кабел (не е включен в комплекта). Конекторът HDMI ARC в телевизора може да бъде маркиран по различен начин, моля, проверете инструкцията за обслужване на телевизора.
3. Изходният звук в оптичен режим и HDMI може да е по-силен, отколкото в режим AUX IN, което е нормално, тъй като нивото на цифровия аудио сигнал може да бъде различно от нивото на аналоговия сигнал.
4. След като саундбарът е правилно монтиран и свързан, използвайте го в съответствие с настоящата инструкция за употреба.

Обслужване

Свързване на захранването: Проверете, дали източникът на захранване съответства на спецификацията за номиналното напрежение, която се намира върху задния панел на саундбара и субуфера. Ако не е подходящо, моля, обърнете се към продавача или сервизен център. Включете приложения щепсел на захранването AC в стенен контакт, за да свържете устройството към източник на захранване.



Включване/изключване на устройството: натиснете за кратко бутона за захранване на саундбара, за да включите устройството; натиснете го няколко пъти, за да превключите източника на възпроизвеждане между Bluetooth/оптичен вход/HDMI/USB/AUX; натиснете и задръжте за 3 секунди бутона на захранването, за да превключите устройството в режим готовност. Можете също така да получите същите функции, като натиснете бутона за захранване и бутона за източник на звука в дистанционното управление.

Ако в ключите саундбара и безжичния субуфер, устройствата автоматично ще се сдвоят помежду си за секунди. Ако не, опитайте ръчно сдвояване, описано в следващия раздел на тази инструкция.

Обслужване на Bluetooth

Този продукт е оборудван с функция Bluetooth, която позволява безжично възпроизвеждане на музика от друго устройство Bluetooth (като смартфон, таблет, телевизор и др.).

1. устройството, натиснете няколко пъти бутона за източник на звук на дистанционното управление, за да преминете в режим Bluetooth, а символът „BT“ ще мига върху дисплея, което означава, че устройството е готово за сдвояване.
2. Включете функция Bluetooth във външното устройство и намерете достъпните за сдвояване устройства (моля, запознайте се с инструкцията за обслужване на външното устройство), след което проверете достъпните устройства Bluetooth в списъка. Изберете „BP LS200“ за сдвояване. След успешно сдвояване символът Bluetooth върху дисплея на саундбара ще спре да мига и ще стане стабилен.
3. Изберете и възпроизведете музика от външното устройство Bluetooth, регулирайте съответно силата на звука, след което звукът ще бъде излъчван от този саундбар.
4. В режим Bluetooth можете да извършвате операции като: избор на предишна/следваща песен, възпроизвеждане/пауза, изключване на звука и т.н. чрез натискане на съответния бутон на дистанционното управление.

Забележки:

- a. Не се гарантира успешно сдвояване на всички устройства Bluetooth поради разлики в конструкциите на устройствата.
- b. Най-доброто разстояние за работа за Bluetooth е 10 метра без препятствия между устройствата.

- в. Устройството може да бъде сдвоено и да работи само с едно Bluetooth устройство едновременно.
- г. В случай на телефонно обаждане по време на възпроизвеждане Bluetooth - музиката ще спре за момент и възпроизвеждането ще продължи след завършване на телефонния разговор.
- д. Натиснете продължително бутона за сдвояване на дистанционното управление, за да завършите текущата връзка с устройството Bluetooth и да започнете сдвояване с друго устройство.

Bluetooth връзка с телевизора: Ако телевизорът Ви има функция Bluetooth, можете да го свържете безжично към саундбара и да възпроизведате звук от телевизора. Включете функцията Bluetooth на екрана на телевизора и намерете „BP LS200“ в списъка с устройства за сдвояване. За повече информация моля, запознайте се с инструкцията за обслужване на телевизора.

Обслужване на възпроизвеждането от USB

Устройството е оборудвано с функция за възпроизвеждане USB, която може да декодира и да възпроизвежда музика от външни USB памети. Преди да започнете операцията, копирайте музиката във формат MP3 в USB памет; поставете подготвената USB памет в саундбара, USB режимът е достъпен само след успешно свързване на USB паметта към саундбара. След това устройството автоматично ще намери и ще възпроизведе музиката, записана във формат MP3. В режим USB възпроизвеждане, чрез натискане на съответния бутон на дистанционното управление са достъпни следните функции: избор на песен/възпроизвеждане/пауза/еквалайзер/регулиране на ниски и високи тонове и т.н.

Забележки:

- а. Не се препоръчва да свързвате USB паметта с удължителен кабел USB, тъй като това може да генерира шум или прекъсване на звука поради загуба на аудио данни по време на предаване.
- б. Не се гарантира възпроизвеждане на всички MP3/WMA файлове
- в. Максималният обслужван капацитет на USB паметта възлиза на 32 GB.
- г. Възпроизвеждането на някои USB памети може да отнеме малко време; Трябва да се отбележи, че това не е дефект на устройството.

Ръчно сдвояване на безжичния субуфер със саундбара:

Саундбарът е сдвоен с безжичния субуфер по подразбиране. Ако имате проблеми със сдвояването, опитайте следното:

- а. Свържете саундбара към захранването и включете устройството, преминете в режим Bluetooth; тогава саундбарът е в режим на сдвояване със субуфера.

- б. Междувременно включете захранването и включете безжичния субуфер, синият LED ще мига бавно на задния панел. Натиснете и задръжте за 3 секунди бутона WPS AUTO PAIR на задния панел на субуфера. Синият LED диод ще мига бързо, което означава, че субуферът е в процес на сдвояване със саундбара.

- в. След около 20-30 секунди синият LED диод на субуфера ще спре да мига и ще стане стабилен, което означава успешно сдвояване на саундбара със субуфера.

- г. След първото успешно сдвояване саундбарът и субуферът ще се сдволят автоматично.

- д. Безжичният субуфер може да бъде сдвоен с друг саундбар LS200SUB от същата партида. Повторете операцията по-горе, но се уверете, че по време на сдвояване са включени само желаните саундбар и безжичен субуфер.

Забележка:

- а. Ако безжичният субуфер е включен, но саундбарът е изключен или е в режим готовност; след няколко минути синият LED диод на безжичния субуфер ще стане червен, защото е в режим на готовност.
- б. Когато използвате LS200SUB, трябва да запазите съответно разстояние до други безжични устройства с Wi-Fi/2.4G, за да избегнете смущения в качеството на звука, причинени от друг безжичен сигнал.
- в. Максималният обхват на връзката между саундбара и безжичния субуфер е 10 метра на открито, но за да се поддържа най-добрите звукови параметри, препоръчваме разстояние от 6 метра.

Решаване на проблеми

1. Високоговорителят не може да се включи.
 - а. Проверете, дали захранването е свързано правилно.
2. Липса на звук.
 - а. Опитайте да регулирате нивото на силата на звука, проверете бутона за изключване на звука и източника на възпроизвеждане.
 - б. Свържете се със сервизен център, ако проблемът продължава.
3. Деформиране на звука.
 - а. Опитайте да възпроизведате музиката при по-ниско ниво на силата на звука.
 - б. Проверете състоянието на настройките на сопраното/баса.
 - в. Опитайте да намалите силата на звука във външното устройство като телевизор и т.н.
4. Прекъсване на звука в режим Bluetooth.
 - а. Преместете устройството Bluetooth по-близо до саундбара.
5. Няма звук в оптичен режим или HDMI(ARC).
 - а. Проверете дали саундбарът и външното устройство са правилно свързани.
 - б. Уверете се, че Вашият телевизор отговаря на изискванията на HDMI(ARC) и, че е свързан правилният порт. Настройте телевизора на HDMI ARC(CEC).
 - в. Задайте режима за аудио изход на телевизора на формат PCM.
6. Няма звук от субуфера.
 - а. Натиснете и задръжте бутона за автоматично сдвояване WPS върху задния панел на субуфера, за да го ресетнете и сдвоите безжично със саундбара.
 - б. Изключете и включете саундбара и субуфера, след което ръчно сдвоете устройствата съгласно тази инструкция.
 - в. Свържете се с центъра за помощ, ако проблемът продължава.

Спецификации**Общи**

Захранване: AC110~240V 50/60Hz
Консумация на мощност (в режим работа): 192 W
Консумация на мощност в режим готовност: < 0,5 W
Изходна мощност RMS: 160 W (40 W x 2 + 80 W суббуфер)
Общо хармонично изкривяване: < 1% (1 kHz, 1 W)
Чувствителност на аудио входа: 800mV
Честотна лента: 45 Hz – 20 KHz
Обслужвани звукови формати в режим USB: MP3/WAV
Максимален обслужван капацитет за USB памет: до 32 GB max.
Размери на саундбара: 960 x 70 x 78 mm (шир. x вис. x дълб.)
Размери на суббуфера: 170 x 380 x 306 (шир. x вис. x дълб.)

Високоговорители

Импеданс и размер на високоговорителите на саундбара: 4Ω *4; 2,25 инча
Импеданс и размер на нискотонния високоговорител: 3Ω*1; 6,5 инча

Bluetooth

Версия Bluetooth: V5.0
Работен обхват: при бл. 10 метра
Честота на трансмисия: 2,402 ~ 2,480 GHz
Протоколи: A2DP/AVRCP
(Забележка: спецификацията на продукта може да бъде променена без предизвестие).

Акcesoари

Дистанционно управление x 1 бр.
Батерии за дистанционно управление x 1 чифт
Инструкция за обслужване x 1 бр.
Гаранционна карта x 1 бр.
Аудио кабел (3,5 mm RCA стерео) x 1 бр.
Винтове за стенен монтаж: ST4 * 45 mm x 2 бр. + пластмасови монтажни дюбели x 2 бр.

ΣΗΜΑΝΤΙΚΕΣ ΠΛΗΡΟΦΟΡΙΕΣ ΣΧΕΤΙΚΑ ΜΕ ΤΗΝ ΑΣΦΑΛΕΙΑ

ΠΡΟΕΙΔΟΠΟΙΗΣΗ

**ΚΙΝΔΥΝΟΣ ΗΛΕΚΤΡΟΠΛΗΞΙΑΣ
ΜΗΝ ΑΝΟΙΓΕΤΕ**
Προειδοποίηση:

Για να μειώσετε τον κίνδυνο ηλεκτροπληξίας, δεν επιτρέπεται να αποσυναρμολογήσετε το κάλυμμα ούτε το οπίσθιο μέρος της συσκευής. Μέσα στη συσκευή δεν υπάρχουν εξαρτήματα προορισμένα για επισκευή από τον χρήστη. Η συντήρηση και η επισκευή του εξοπλισμού εκτελείται αποκλειστικά από τους εξουσιοδοτημένους υπάλληλους σέρβις.

Εξήγηση γραφικών συμβόλων


Το σύμβολο αστραπής με το βέλος στην άκρη της μέσα στο ισόπλευρο τρίγωνο προειδοποιεί τον χρήστη από μη μονωμένη, "επικίνδυνη ηλεκτρική τάση" στο περίβλημα της συσκευής που μπορεί να έχει την τιμή η οποία προκαλεί ηλεκτροπληξία.



Το σύμβολο θαυμαστικού στο ισόπλευρο τρίγωνο προειδοποιεί τον χρήστη ότι σε αυτό τον τόπο των τεκμηρίωσης που συνάπτεται στη συσκευή, παρουσιάζονται σημαντικές πληροφορίες σχετικά με τον χειρισμό και τη συντήρηση της συσκευής.

Παρακαλούμε να διαβάσετε αυτές τις οδηγίες χρήσης πριν αρχίσετε να χειρίζεστε τη συσκευή, για να γνωρίσετε τις λειτουργίες της και για τη χρησιμοποίησή της σύμφωνα με τον προορισμό της. Έτσι διασφαλίζετε τον διαρκή χειρισμό της συσκευής χωρίς βλάβες και απόλαυση από τη χρήση της συσκευής.

Σημαντικές πληροφορίες

- Πρέπει να κρατήσετε τις οδηγίες χρήσης και τις πληροφορίες σχετικά με την ασφάλεια με σκοπό τη μελλοντική χρήση τους.
- Μην επιτρέψετε κανένα υγρό να στάξει ή να χυθεί στη συσκευή.
- Δεν επιτρέπεται να χρησιμοποιήσετε τη συσκευή σε μέρη με υγρασία όπως π.χ. μπάνιο.
- Δεν επιτρέπεται να εγκαταστήσετε αυτή τη συσκευή στα ακόλουθα μέρη:
- Μέρη εκτεθειμένα στην άμεση ακτινοβολία ή κοντά σε θερμάστρες.
- Μην τοποθετείτε πάνω στη συσκευή άλλο εξοπλισμό στερεό που εκπέμπει θερμότητα.
- Όπου μπλοκάρεται ο εξαερισμός ή σε μέρος με σκόνη.
- Σε μέρη εκτεθειμένα σε συνεχείς δονήσεις.
- Σε μέρη με μεγάλη υγρασία.
- Δεν επιτρέπεται να τοποθετήσετε τη συσκευή δίπλα σε κερία και ανοιχτή φλόγα.
- Μπορείτε να χρησιμοποιήσετε τη συσκευή με τον τρόπο που περιγράφεται στις παρούσες οδηγίες χρήσης.
- Πριν από την πρώτη ενεργοποίηση, πρέπει να βεβαιωθείτε ότι το τροφοδοτικό είναι κατάλληλα συνδεδεμένο.
- Η μήνιμη USB συνδεδεμένη άμεσα ή με επέκταση USB μήκους έως 25 cm.

Για λόγους ασφαλείας δεν επιτρέπεται να αποσυναρμολογήσετε το περίβλημα ούτε να έχετε πρόσβαση στο μέσο της συσκευής. Η συσκευή πρέπει να επισκευαστεί από το εξειδικευμένο προσωπικό του σέρβις.

Δεν επιτρέπεται να ξεβιδώσετε τη συσκευή ούτε να ανοίξετε το περίβλημά της, γιατί μέσα δεν υπάρχουν εξαρτήματα που μπορεί να επισκευαστούν από τον χρήστη. Η συντήρηση και η επισκευή του εξοπλισμού εκτελείται αποκλειστικά από τους εξουσιοδοτημένους υπάλληλους σέρβις.

ΣΗΜΑΝΤΙΚΕΣ ΠΛΗΡΟΦΟΡΙΕΣ ΣΧΕΤΙΚΑ ΜΕ ΤΗΝ ΑΣΦΑΛΕΙΑ

1. Διαβάστε τις οδηγίες χρήσης – πριν χρησιμοποιήσετε τη συσκευή πρέπει να διαβάσετε όλες τις οδηγίες χρήσης και τις πληροφορίες για την ασφάλεια.
2. Φυλάξτε τις οδηγίες χρήσης – πρέπει να φυλάξετε τις οδηγίες χρήσης και χειρισμού με σκοπό να τις χρησιμοποιήσετε στο μέλλον.
3. κολουθήστε τις προειδοποιήσεις – πρέπει να ακολουθήσετε όλες τις προειδοποιήσεις που είναι τοποθετημένες πάνω στη συσκευή και να ακολουθήσετε τις οδηγίες χρήσης.
4. Ακολουθήστε τις οδηγίες χρήσης – πρέπει να ακολουθήσετε τις οδηγίες χρήσης και τις συμβουλές για τον χρήστη.
5. Εγκατάσταση – πρέπει να τοποθετήσετε τη συσκευή σύμφωνα με τις οδηγίες του κατασκευαστή.
6. Πηγή τροφοδοσίας – η συσκευή πρέπει να τροφοδοτηθεί αποκλειστικά από τις πηγές με τις παραμέτρους που αναφέρονται στις επισημανσεις του καλωδίου τροφοδοσίας. Αν ο χρήστης δεν είναι σίγουρος ποιαού τύπου τροφοδοσία έχει στο σπίτι του, πρέπει να επικοινωνήσει με τον πωλητή της συσκευής ή τον τοπικό προμηθευτή ηλεκτρικής ενέργειας.
7. Γείωση και πόλωση της συσκευής – η συσκευή πρέπει να έχει γείωση. Πρέπει να βεβαιωθείτε ότι το φως είναι τελικά τοποθετημένο στην πρίζα ηλεκτρικού δικτύου ή της επέκτασης, για να μην αφήσετε τους πεύρους ή τους επαφές το φως χωρίς κάλυμμα. Κάποιες εκδόγές της συσκευής μπορεί να είναι εξοπλισμένες με πολωμένο φως εναλασσόμενο ρεύματος (με έναν πείρο πλατύτερο). Μπορείτε να βάλετε αυτό το φως στην πρίζα μόνο με έναν τρόπο. Αυτό είναι η λειτουργία προστασίας. Αν δεν μπορείτε να βάλετε το φως στην πρίζα, πρέπει να το περιστρέψετε. Αν το φως εξακολουθεί να μην ταιριάζει στην πρίζα, πρέπει να δώσετε εντολή στον ηλεκτρολόγο να αντικαταστήσει την πρίζα. Δεν επιτρέπεται να βγάλετε τα προστατευτικά του πολωμένου φως. Όταν χρησιμοποιείτε επέκταση ή καλώδιο τροφοδοσίας διαφορετικό από αυτό που παραδίδεται μαζί με τη συσκευή, αυτά πρέπει να έχουν κατάλληλα φως και το πιστοποιητικό ασφαλείας.
8. Προστασία του καλωδίου τροφοδοσίας – τα καλώδια τροφοδοσίας πρέπει να δρομολογούνται έτσι, ώστε να μην τα πατάτε, να μην τα πιέζετε και μην τα κόβετε με τοποθετημένα πάνω τους αντικείμενα. Δώστε ειδική σημασία στα φως, τις πρίζες ηλεκτρικού δικτύου και του τόπου όπου τα καλώδια είναι τοποθετημένα μέσα στη συσκευή.
9. Υπερφόρτωση – Δεν επιτρέπεται να υπερφορτώσετε τις ηλεκτρικές πρίζες τοίχου, τις επεκτάσεις και τους διαχωριστές, γιατί αυτό προκαλεί κίνδυνο πυρκαγιάς ή ηλεκτροπληξίας.
10. Εξαερισμός – η συσκευή πρέπει να έχει κατάλληλο εξαερισμό. Δεν επιτρέπεται να τοποθετήσετε τη συσκευή πάνω σε ένα κρεβάτι, έναν καναπέ ή σε παρόμοιες επιφάνειες. Δεν επιτρέπεται να καλύψετε τη συσκευή με τραπέζιματλητα, πετσέτες, εφημερίδες κλπ.

12. Νερό και υγρασία – για να μειώσετε τον κίνδυνο πυρκαγιάς ή ηλεκτροπληξίας, δεν επιτρέπεται να εκθέτετε τη συσκευή στην άμεση επίδραση βροχής, νερού και υγρασίας όπως π.χ. στη σάουνα ή το μπάνιο. Μην χρησιμοποιείτε την παρούσα συσκευή δίπλα σε νερό, π.χ. δίπλα σε μια μπανιέρα, νιπτήρα, νεροχύτη κουζίνας ή σκάφη, σε ένα υπόγειο με υγρασία ή δίπλα σε πισίνα (ή σε παρόμοιους τόπους).
13. Αντικείμενα και υγρά μέσα στη συσκευή – δεν επιτρέπεται να πιέσετε οποιοδήποτε αντικείμενο μέσα από τα ανοίγματα της συσκευής, γιατί αυτά μπορεί να έχουν επαφή με τα σημεία της επικίνδυνης ηλεκτρικής τάσης και τα υποστήματα και αυτό μπορεί να προκαλέσει πυρκαγιά. Σε καμία περίπτωση μη χύσετε οποιοδήποτε υγρό δίπλα στη συσκευή. Δεν επιτρέπεται να βάζετε πάνω στη συσκευή τα αντικείμενα που περιέχουν υγρά.
14. Καθαρισμός – πάντα πρέπει να αποσυνδέετε τη συσκευή από την πρίζα ηλεκτρικού δικτύου πριν από καθαρισμό. Η σκόνη γύρω από το ηχείο μπορεί να αφαιρεθεί με ένα ύφασμα. Αν χρησιμοποιήσετε ένα αερόβλυστο για καθαρισμό, μην κατευθύνετε τη ροή ψεκασμού άμεσα στη συσκευή, αλλά σε ένα πανί. Πρέπει να προσέχετε να μη χαλάσετε τις μονάδες μετάδοσης κίνησης.
15. Πρόσθετος εξοπλισμός – μη χρησιμοποιήσετε αξεσουάρ που δεν επιτρέπονται από τον κατασκευαστή, γιατί αυτά μπορούν να προκαλέσουν κίνδυνο.
16. Αξεσουάρ – μην τοποθετείτε τη συσκευή σε ασταθές καροτσάκι, υποστήριγμα, τρίποδο, βάση ή τραπέζι. Η συσκευή μπορεί να ανατραπεί και να χαλάσει καθώς και να προκαλέσει σοβαρά τραύματα σε παιδιά και σε ηλικιωμένα πρόσωπα. Πρέπει να χρησιμοποιήσετε αποκλειστικά καροτσάκια, υποστήριγματα, τρίποδα, βάσεις ή τραπέζια που ορίζονται από τον κατασκευαστή ή που πωλούνται μαζί με τη συσκευή. Εκτελέστε τη συναρμολόγηση της συσκευής σύμφωνα με τις οδηγίες του κατασκευαστή με χρήση του σετ συναρμολόγησης που προτείνεται από τον κατασκευαστή.
17. Μεταφορά της συσκευής – πρέπει να μεταφέρετε τη συσκευή τοποθετημένη σε καροτσάκι πολύ προσεκτικά. Ξαφνικό σταμάτημα, υπερβολική δύναμη ή ανώμαλες επιφάνειες μπορεί να προκαλέσουν ανατροπή στο καροτσάκι μαζί με τη συσκευή.
18. Περίοδος όταν η συσκευή δεν χρησιμοποιείται – πρέπει να αποσυνδέσετε το καλώδιο τροφοδοσίας από την πρίζα ηλεκτρικού δικτύου κατά τις καταιγίδες με κεραυνούς ή όταν δεν χρησιμοποιείτε τη συσκευή πολλή ώρα.
19. Σέρβις – μην δοκιμάσετε να εκτελέσετε επιθεωρήσεις της συσκευής μόνοι σας. Το να ανοίξετε το κάλυμμα μπορεί να προκαλέσει επαφή με επικίνδυνη ηλεκτρική τάση και να εκτεθεί ο χρήστης σε άλλους κινδύνους. Η συντήρηση και η επισκευή του εξοπλισμού εκτελείται αποκλειστικά από τους εξουσιοδοτημένους υπάλληλους σέρβις.
20. Όταν δεν χρησιμοποιείτε τη συσκευή, πρέπει να αποσυνδέσετε το φως της από την πρίζα ηλεκτρικού δικτύου. Όταν η συσκευή είναι συνδεδεμένη στην πηγή ηλεκτρικής ενέργειας, είναι στον τρόπο λειτουργίας αναμονής ή δεν είναι απολύτως απενεργοποιημένη.
21. Ανταλλακτικά – όταν αντικαθιστάτε εξαρτήματα πρέπει να ελέγχετε αν ο υπάλληλος του σέρβις έχει χρησιμοποιήσει τα ανταλλακτικά που προτείνονται από τον κατασκευαστή ή τα εξαρτήματα είναι ίδια όπως τα γνήσια εξαρτήματα. Η αντικατάσταση εξαρτημάτων με μην γεγκριμένα προκαλεί κίνδυνο πυρκαγιάς, ηλεκτροπληξίας και άλλους κινδύνους.
22. Κύριες ηλεκτρικές ασφάλειες – για να προστατέψετε με συνεχή τρόπο τη συσκευή από πιθανή πυρκαγιά, πρέπει να χρησιμοποιήσετε τις ασφάλειες κατάλληλου τύπου και παραμέτρων. Οι παράμετροι των ασφαλειών του ορισμένου φάσματος της ηλεκτρικής τάσης επισημαίνονται πάνω στη συσκευή.
23. Δεν επιτρέπεται να αυξήσετε την ένταση ήχου όταν ακούτε ένα κομμάτι το οποίο έχει χαμηλή ένταση ήχου ή όταν δεν υπάρχει σήμα ήχου εισόδου. Σε αντίθετη περίπτωση, ενδέχεται να χαλάσετε το ηχείο με την ξαφνική αύξηση της έντασης του σήματος.
24. Η μοναδική λύση να αποσυνδέσετε πλήρως τη συσκευή από την πηγή ηλεκτρικής ενέργειας είναι η αποσύνδεση του καλωδίου τροφοδοσίας από την πρίζα ηλεκτρικής ενέργειας ή από τη συσκευή. Η πρίζα ηλεκτρικού δικτύου ή η υποδοχή του καλωδίου τροφοδοσίας στη συσκευή πάντα πρέπει να είναι διαθέσιμες κατά τη χρήση της συσκευής.
25. Η συσκευή πρέπει να τοποθετηθεί δίπλα σε πρίζα ηλεκτρικού δικτύου ή επέκταση έτσι ώστε να είναι πάντα διαθέσιμες.
26. Η μέγιστη θερμοκρασία περιβάλλοντος πρέπει είναι 35°C.
27. Οδηγίες σχετικά με τις ηλεκτροστατικές εκκινήσεις – αν η λειτουργία της συσκευής διαταράσσεται με τις ηλεκτροστατικές εκκινήσεις, πρέπει να την απενεργοποιήσετε και να την ενεργοποιήσετε ξανά ή να μεταφέρετε τη συσκευή σε άλλο τόπο.
28. Μπαταρία
- Δεν επιτρέπεται να εκθέτετε τις μπαταρίες στη δράση υπερβολικής ζέστης όπως π.χ. ηλιακή ακτινοβολία.
 - Κατά τη διάθεση των μπαταριών, πρέπει να δώσετε σημασία στις παραμέτρους της προστασίας του περιβάλλοντος.
 - Προειδοποίηση σχετικά με χρήση των μπαταριών: για να μην επιρρέψετε αποσφράγιση των μπαταριών που μπορεί να προκαλέσει τραύματα ή να χαλάσει τη συσκευή:
 - Όταν βάζετε τη μπαταρία δώστε σημασία στην πόλωση της (+ και -).
 - Δεν επιτρέπεται να χρησιμοποιήσετε ταυτόχρονα διαφορετικές μπαταρίες - καινούργιες και μεταχειρισμένες, τις μπαταρίες στάνταρ και αλκαλικές κλπ.
 - Πρέπει να βγάλετε τις μπαταρίες από τη συσκευή δεν τη χρησιμοποιείτε πολλή ώρα.

ΠΡΟΕΙΔΟΠΟΙΗΣΗ

Η συσκευή δεν επιτρέπεται να χρησιμοποιηθεί από πρόσωπα (συμπεριλαμβανόμενων των παιδιών) με μειωμένη φυσική και αισθητηριακή ικανότητα και τα πρόσωπα με ανεπαρκή γνώση και εμπειρία, αν δεν είναι υπό την εποπτεία του προσώπου που είναι υπεύθυνο για την ασφάλειά τους και δεν έχουν εκπαιδευθεί πως να χρησιμοποιούν τη συσκευή με ασφαλή τρόπο. Η παρουσία των ενηλίκων απαιτείται όταν τα παιδιά χειρίζονται τη συσκευή· έτσι θα διασφαλιστεί την ασφαλή χρήση της συσκευής.

- Δεν επιτρέπεται να αφήνετε τη συσκευή όταν λειτουργεί χωρίς καμία εποπτεία! Πρέπει να απενεργοποιείτε τη συσκευή όταν δεν τη χρησιμοποιείτε, ακόμη για ένα σύντομο διάστημα.
- Δεν επιτρέπεται να μεταχειρίζεστε τη συσκευή μέσα από ένα εξωτερικό ρολόι με χρονικό σύστημα ούτε με ξεχωριστό σύστημα τηλεχειρισμού.
- Για να αποφύγετε κίνδυνο σε περίπτωση βλάβης του καλωδίου τροφοδοσίας, η αντικατάστασή του πρέπει να εκτελείτε από τον κατασκευαστή, την εξουσιοδοτημένη υπηρεσία σέρβις ή άλλο πρόσωπο που διαθέτει τα κατάλληλα προσόντα.
- Πριν αρχίσετε να χειρίζεστε τη συσκευή, πρέπει να ελέγξετε αν η τάση της είναι συμβατή με την τάση του τοπικού ηλεκτρικού δικτύου.
- Δεν επιτρέπεται να καλύψετε τα ανοίγματα εξαερισμού π.χ. με εφημερίδες, τραπέζομάντηλα, κουρτίνες κλπ.. Πρέπει να βεβαιωθείτε ότι πάνω από τη συσκευή υπάρχει ένας ελεύθερο χώρος τουλάχιστον 20 cm και από κάθε πλευρά της - τουλάχιστον 5 cm.
- Δεν επιτρέπεται να στάξει ή να χυθεί κανένα υγρό στη συσκευή και δεν επιτρέπεται να βάζετε πάνω στη συσκευή κανένα αντικείμενο γεμάτο με υγρό όπως π.χ. ένα βάζο.
- Για να αποφύγετε πυρκαγιά ή ηλεκτροπληξία, πρέπει να προστατεύετε τη συσκευή από ζεστούς τόπους, τη δράση της βροχής, της υγρασίας και της σκόνης.
- Δεν επιτρέπεται να τοποθετείτε τη συσκευή κοντά σε οποιαδήποτε πηγή νερού όπως π.χ. βρύσες, μπανιέρες, πλυντήρια ή πισίνες κολύμβησης. Η συσκευή πρέπει να τοποθετηθεί σε μια ίσια και σταθερή βάση.

9. Δεν επιτρέπεται να εκθέτετε τη συσκευή σε ισχυρό μαγνητικό πεδίο.
10. Δεν επιτρέπεται να βάζετε τη συσκευή αμέσως στον ενισχυτή, δέκτη ή διακόπτη.
11. Δεν επιτρέπεται να βάζετε τη συσκευή σε ένα μέρος με υγρασία, γιατί η υγρασία έχει αρνητική επίδραση στα ηλεκτρικά συστήματα.
12. Μετά από μεταφορά της συσκευής από κρύο σε ζεστό τόπο ή σε τόπο με υγρασία, μπορεί να προκληθεί υγρασία της υγρασίας πάνω στον φακό μέσα στη συσκευή αναπαραγωγής. Σε μια τέτοια περίπτωση η συσκευή δεν θα λειτουργήσει σωστά. Πρέπει να αφήσετε τη συσκευή απενεργοποιημένη για περίπου μια ώρα, για να επιτρέψετε την εξάτμιση της υγρασίας.
13. Δεν επιτρέπεται να καθαρίζετε τη συσκευή με χημικούς διαλύτες, γιατί μπορεί να χαλάσουν το βερνίκι του περιβλήματος. Σκουπίζετε τη συσκευή με ένα καθαρό, στεγνό ή λίγο μουσκεμένο πανί.
14. Όταν βγάξετε το φως από την πρίζα τοίχου, πάντα πρέπει να τραβάτε το φως και όχι το καλώδιο.
15. Όταν η ενεργοποιημένη συσκευή χρησιμοποιείται δίπλα σε ενεργοποιημένη τηλεόραση, μπορεί να είναι πηγή διαταραχών όρασης με τη μορφή γραμμών στην οθόνη. Αυτό εξαρτάται από τη ζώνη κυμάτων μετάδοσης της TV. Αυτό δεν σημαίνει ότι η συσκευή ή η τηλεόραση δεν λειτουργούν κατάλληλα. Αν αυτές γραμμές είναι ορατές, πρέπει να απομακρύνετε τη συσκευή από την τηλεόραση.
16. Το φως ηλεκτρικού δικτύου χρησιμοποιείται για αποσύνδεση της ηλεκτρική τάσης τροφοδοσίας και πάντα πρέπει να είναι διαθέσιμο.
17. Για να μην επιτρέψετε πιθανή απώλεια ακοής, δεν επιτρέπεται να ακούτε μουσική πολύ δυνατά για πολλή ώρα.



ΠΡΟΣΟΧΗ



Δήλωση

Δια το παρόντος η εταιρεία Blaupunkt Competence Center 2N-Everpol Sp. z o.o. δηλώνει ότι η παρούσα συσκευή είναι συμβατή με τις προϋποθέσεις και τις λοιπές σχετικές προβλέψεις της οδηγίας 2014/53 / EE. Μπορείτε να λάβετε την πλήρη δήλωση συμβατότητας από την ιστοσελίδα www.blaupunkt.com στην καρτέλα του προϊόντος.

Κάτοχος άδειας κυκλοφορίας: 2N-Everpol Sp. z o.o.
Puławska 403A, 02-801 Warszawa, Πολωνία
Τηλέφωνο: +48 22 331 99 59, e-mail: info@everpol.pl



Το προϊόν κατασκευάστηκε από υλικά υψηλής ποιότητας και τα συστήματα, τα οποία μπορούν να ανακυκλωθούν και να χρησιμοποιηθούν ξανά.



Αν πάνω στη συσκευή υπάρχει το σύμβολο του διαγραμμένου κάδου, αυτό σημαίνει ότι το προϊόν καλύπτεται από τις προβλέψεις της ευρωπαϊκή οδηγίας 2012/19/EE. Πρέπει να εξοικειωθείτε με τις απαιτήσεις του τοπικού συστήματος συλλογικής απορριπτόμενων εξοπλισμού και υπολειμμάτων υλικού διάλυσης. Πρέπει να ακολουθήσετε τους τοπικούς κανονισμούς. Μην απορρίψετε το προϊόν μαζί με τα κανονικά οικιακά απορρίμματα. Η σωστή διάθεση του παλαιού προϊόντος προστατεύει από αρνητικά αποτελέσματα για το φυσικό περιβάλλον και την ανθρώπινη υγεία.



Η συσκευή είναι εξοπλισμένη με μπαταρίες οι οποίες ορίζονται με την ευρωπαϊκή οδηγία 2006/66/EC. Δεν επιτρέπεται να απορρίψετε τις μπαταρίες μαζί με τα οικιακά απορρίμματα. Πρέπει να εξοικειωθείτε με τους τοπικούς κανονισμούς για την ξεχωριστή συκέντρωση των μπαταριών, διότι η κατάλληλη διάθεση προστατεύει από πιθανά αρνητικά αποτελέσματά της για το φυσικό περιβάλλον και την ανθρώπινη ζωή.

Πληροφορίες για την προστασία του περιβάλλοντος

Η συσκευασία περιέχει μόνο τα απαραίτητα στοιχεία. Έχει καταβληθεί κάθε δυνατή προσπάθεια ώστε τα τρία συστατικά της συσκευασίας να διαχωριστούν εύκολα: χαρτί (κουτί), αφρός πολυστερίνης (προστατευτικά μέσα στη συσκευασία) και πολυαιθυλένιο (σακούλες, προστατευτικό φύλλο). Η συσκευή κατασκευάστηκε από υλικά τα οποία μπορούν να ανακυκλωθούν και να χρησιμοποιηθούν ξανά μετά την αποσυρμολόγησή τους. Πρέπει να ακολουθήσετε τους τοπικούς κανονισμούς σχετικά με τη διάθεση των υλικών συσκευασίας, των μεταχειρισμένων μπαταριών και των περιττών συσκευών.

Η εγγραφή και αναπαραγωγή υλικού μπορεί να απαιτήσει σχετική άδεια. Βλέπε το περι-πνευματικών δικαιωμάτων και των δικαιωμάτων/δημιουργιών/καλλιτεχνών νόμο.

Παράρτημα σχετικά με τις ERP2 (Συσκευές σχετικά με την ενέργεια)

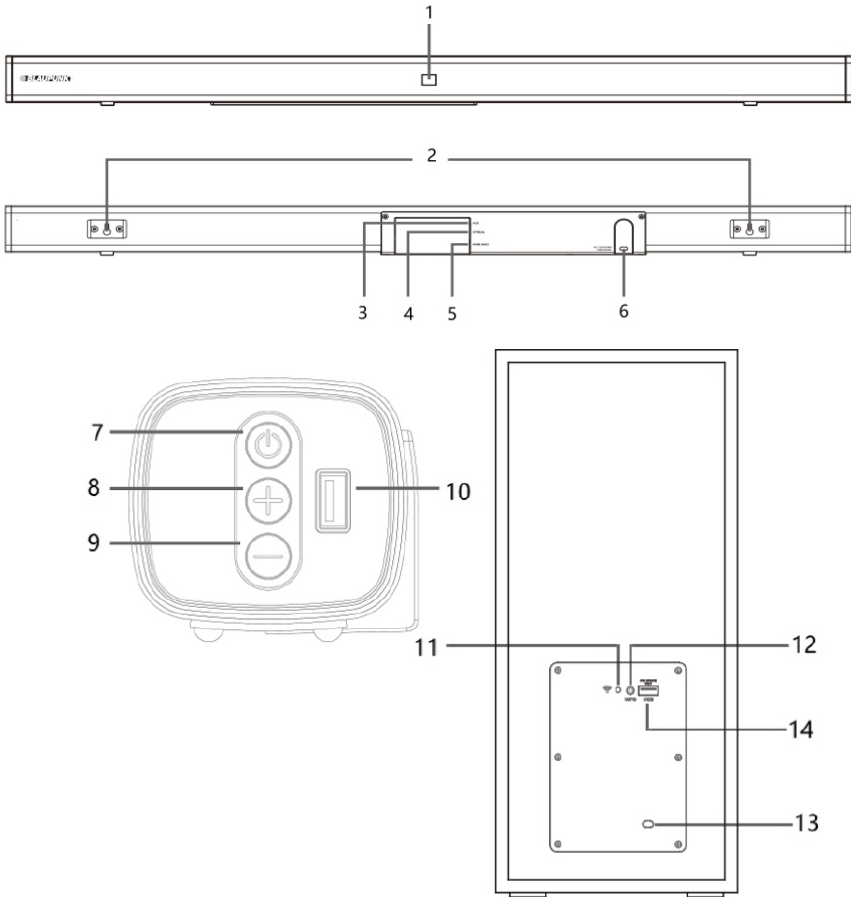
Η παρούσα συσκευή είναι οικολογικού σχεδιασμού και πληροί τις απαιτήσεις της φάσης 2 του Κανονισμού (ΕΚ) αριθ. 1275/2008 της Επιτροπής περί εφαρμογής της οδηγίας 2009/125/ΕΚ σχετικά με την κατανάλωση ενέργειας σε κατάσταση απενεργοποίησης και αναμονής του ηλεκτρικού και ηλεκτρονικού εξοπλισμού γραφείου και οικιακού εξοπλισμού.



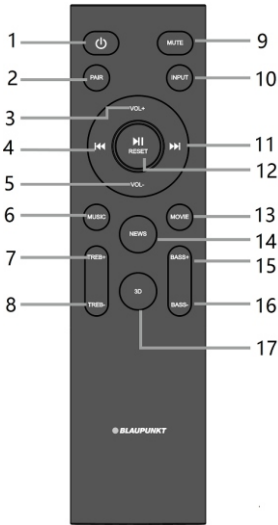
Ο κάτοχος των εμπορικών σημάτων και του λογότυπου Bluetooth® είναι η εταιρεία Bluetooth SIG, Inc. USA. Η εκμετάλλευση αυτών των σημάτων και του λογότυπου καλύπτεται από την άδεια χρήσεως. Άλλα σήματα και εμπορικές ονομασίες αποτελούν κυριότητα σχετικών ιδιοκτητών.

Σας ευχαριστούμε που αγοράσατε το μοντέλο μας, πριν ξεκινήσετε τη συσκευή, διαβάστε και διαβάστε προσεκτικά αυτό τις οδηγίες χρήσης. Κρατήστε αυτές τις οδηγίες χρήσης για μελλοντική αναφορά.

Δ



- 1 – Οθόνη (BT = Bluetooth, OP = οπτική είσοδος, Hd = HDMI, US = USB, AU = AUX).
- 2 – Βραχίονες στερέωσης 3 – Είσοδος AUX 4 – Οπτική είσοδος 5 – Υποδοχή HDMI (ARC)
- 6 – Υποδοχή εναλλασσόμενου ρεύματος για soundbar: AC 110/240V ~ 50/60 Hz;
- 7 – Κουμπί λειτουργίας/λειτουργίας αναμονής 8 – Κουμπί αύξησης της έντασης ήχου
- 9 – Κουμπί μείωσης της έντασης ήχου 10 – Θύρα USB για αναπαραγωγή
- 11 – Δείκτης διόδων της κατάστασης σύνδεσης 12 – Κουμπί αυτόματης σύζευξης WPS
- 13 – Υποδοχή εναλλασσόμενου ρεύματος για υπογούφερ: AC 110/240v ~ 50/60HZ
- 14 – Θύρα USB για ακοπούς σέρβις

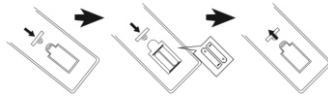


Τηλεχειριστήριο

- 1 – Κουμπί λειτουργίας:** πατήστε το για να ενεργοποιήσετε/απενεργοποιήσετε τη συσκευή.
- 2 – Κουμπί σύζευξης** Πατήστε περισσότερο (3 δευτερόλεπτα) για να αποσυνδέσετε την τρέχουσα συσκευή Bluetooth και να εισέλθετε σε λειτουργία αναμονής για να πραγματοποιήσετε ζεύξη με άλλες συσκευές.
- 3, 5 – Κουμπί έντασης +/-:** πιέστε το για να ρυθμίσετε το επίπεδο έντασης.
- 4, 11 – Κουμπί προηγούμενου/επομένου:** Πατήστε το για να αλλάξετε το προηγούμενο/επόμενο κομμάτι σε λειτουργία αναπαραγωγής Bluetooth ή USB.
- 6 – Κουμπί Μουσικής/13 – Κουμπί ταινιών/14 – Κουμπί ειδήσεων/17 – Κουμπί 3D:** Πατήστε το επιλεγμένο κουμπί για να επιλέξετε την κατάλληλη λειτουργία εξισορρόπησης ήχου
- 7, 8 – +/- Κουμπί υψηλών τόνων:** Πατήστε το για να ρυθμίσετε το επίπεδο υψηλών τόνων.
- 9 – Κουμπί σίγασης:** πατήστε το για σίγαση της συσκευής, πατήστε το ξανά για να συνεχίσετε τον ήχο.
- 10 – Κουμπί πηγής ήχου:** Πατήστε το για εναλλαγή της λειτουργίας αναπαραγωγής μεταξύ Bluetooth/Optical Input/HDMI/USB/AUX.
- 12 – Κουμπί αναπαραγωγής/πάυσης, επαναφορά:** πατήστε το για αναπαραγωγή ή πάυση μουσικής σε λειτουργία Bluetooth ή USB. Πατήστε παρατεταμένα (3 δευτερόλεπτα) για να επαναφέρετε τη συσκευή, συμπεριλαμβανομένου της έντασης, του ισοσταθμιστή κ.λπ.
- 15, 16 – κουμπί μπάσων +/-:** πατήστε το για να ρυθμίσετε το επίπεδο μπάσων.

Εγκατάσταση μπαταριών στο τηλεχειριστήριο

Ανοίξτε το καπάκι της θήκης και τοποθετήστε 2 μπαταρίες AAA (περιέχονται) στη θήκη, βεβαιωθείτε ότι η πολικότητα της μπαταρίας ταιριάζει με το θετικό και το αρνητικό σύμβολο που είναι τυπωμένο στη θήκη. Στη συνέχεια, κλείστε τη θήκη μπαταριών.



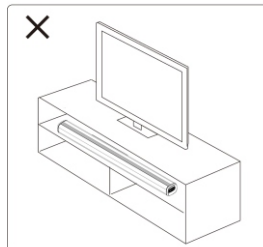
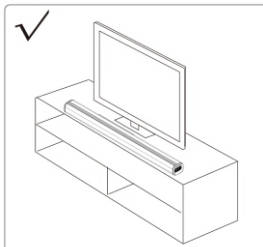
Σημειώσεις:

- Η καλύτερη απόσταση λειτουργίας του τηλεχειριστηρίου είναι 5 μέτρα, χωρίς εμπόδια μεταξύ του τηλεχειριστηρίου και της ηχητικής μπάρας. Όταν χρησιμοποιείτε το τηλεχειριστήριο, στρέψτε το στον αισθητήρα τηλεχειριστηρίου στο μπροστινό μέρος του soundbar
- Η ευαισθησία του τηλεχειριστηρίου θα μειωθεί κατά την εκφόρτιση των μπαταριών. Στη συνέχεια, θα πρέπει να αντικατασταθούν από νέες.
- Αφαιρέστε τις μπαταρίες εάν το τηλεχειριστήριο δεν έχει χρησιμοποιηθεί για μεγάλο χρονικό διάστημα.
- Η μπαταρία πρέπει να απορρίπτεται με περιβαλλοντικά ασφαλές τρόπο. Ανατρέξτε στις απαιτήσεις των τοπικών αρχών για λεπτομέρειες.

Εγκατάσταση του soundbar

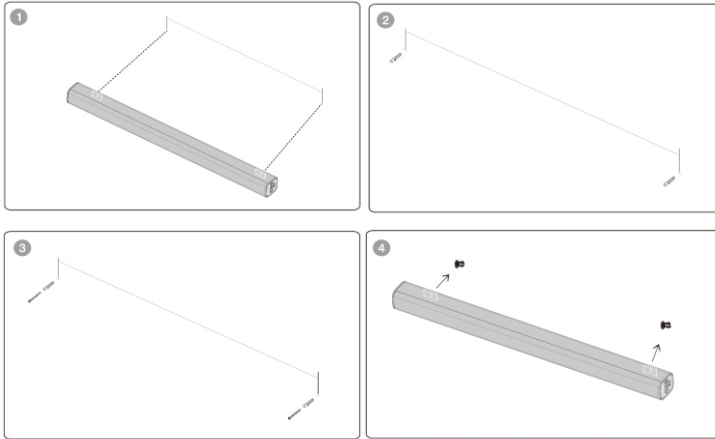
Η καλύτερη απόσταση εργασίας μεταξύ του soundbar και του ασύρματου υποδοφερ είναι 6 μέτρα (η μέγιστη εμβέλεια εργασίας είναι 10 μέτρα). Μην τοποθετείτε το υποδοφερ πολύ μακριά από το soundbar. Το soundbar μπορεί να τοποθετηθεί σε επίπεδη επιφάνεια ή σε τοίχο ως εξής:

- 1. Τοποθετήστε το soundbar σε επίπεδη επιφάνεια:** Τοποθετήστε τη συσκευή οριζόντια σε μια επίπεδη επιφάνεια, όπως μια τηλεόραση ή ένα ντουλάπι, και ευθυγραμμίστε την κεντρικά με την οθόνη της τηλεόρασης. Αφήστε λίγο χώρο μεταξύ του ηχείου και του τοίχου. Μην το τοποθετείτε σε ντουλάπι ή ράφι τοίχου. Ακολουθήστε αυτές τις συμβουλές για να έχετε την καλύτερη ποιότητα ήχου και καλή ροή αέρα γύρω από το soundbar.

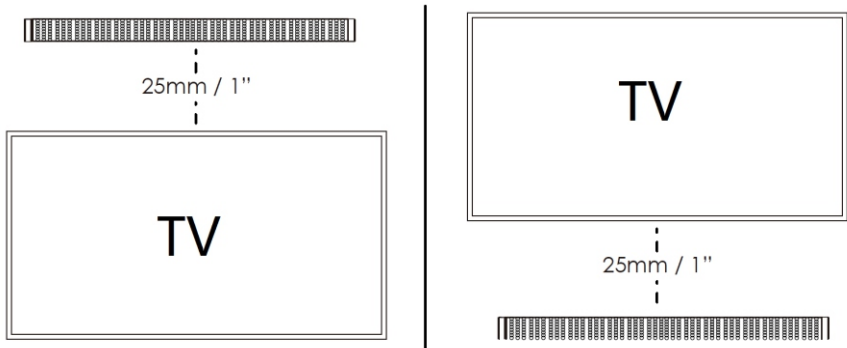


2. Επιτοίχια τοποθέτηση:

- α. Χρησιμοποιώντας ένα soundbar, σημειώστε 2 τρύπες στον τοίχο με ένα μολύβι στην ίδια απόσταση με τις τρύπες στο υποστήριγμα τοίχου του soundbar. Στη συνέχεια, τρυπήστε τις οπές στερέωσης.
 β. Τοποθετήστε τις πλαστικές ακίδες στον τοίχο και βιδώστε τις βίδες στο πλαστικό κλιπ, μην σφίξετε τελείως τις βίδες, βεβαιωθείτε ότι αφήνετε λίγο χώρο.
 γ. Μόλις σφίξετε σωστά τις βίδες, κρεμάστε το soundbar εισάγοντας τις βίδες στο στήριγμα για τοποθέτηση στον τοίχο.



Προειδοποίηση: Εάν δεν είστε σίγουροι για τη σωστή και ασφαλή εγκατάσταση του soundbar στον τοίχο, να σας βοηθήσει ένα έμπειρο και εξειδικευμένο άτομο. Τοποθετήστε το ηχείο σε μια ενισχυμένη επιφάνεια τοίχου. Στην περίπτωση των πλαστικών τοίχων, συνιστάται να βιδώσετε το ηχείο στους στύλους τοίχου για μεγαλύτερη ασφάλεια. Για βέλτιστη απόδοση, κρατήστε απόσταση τουλάχιστον 25 mm/1" μεταξύ του soundbar και της τηλεόρασης.

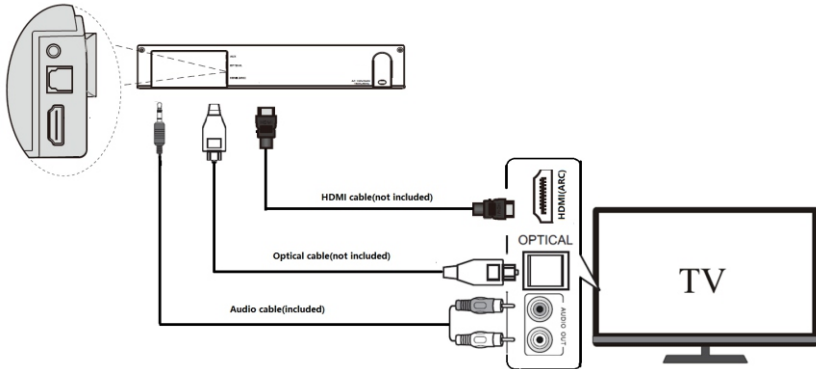


Ηχητική ενσύρματη σύνδεση και ρυθμίσεις

Πριν ενεργοποιήσετε το soundbar, συνδέστε πρώτα τη συσκευή. Το soundbar έχει ψηφιακές (οπτική και HDMI (ARC)) και αναλογικές (AUX IN) εισόδους για διαφορετικές πηγές. Μπορείτε να ανατρέξετε στις παρακάτω οδηγίες σύνδεσης ανάλογα με τη συσκευή σας.

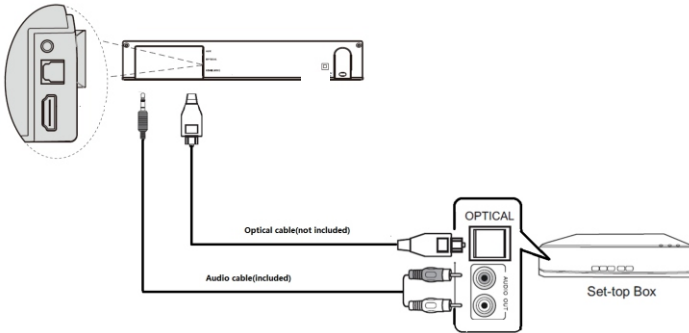
1. Σύνδεση του soundbar με τις εξόδους της τηλεόρασης.

Αφαιρέστε το προστατευτικό κάλυμμα από την υποδοχή OPTICAL και, στη συνέχεια, χρησιμοποιήστε ένα οπτικό καλώδιο (δεν παρέχεται) για να συνδέσετε την υποδοχή OPTICAL OUT της τηλεόρασης στην υποδοχή εισόδου OPTICAL στο soundbar. Η σύνδεση HDMI(ARC)/AUX γίνεται με τον ίδιο τρόπο.



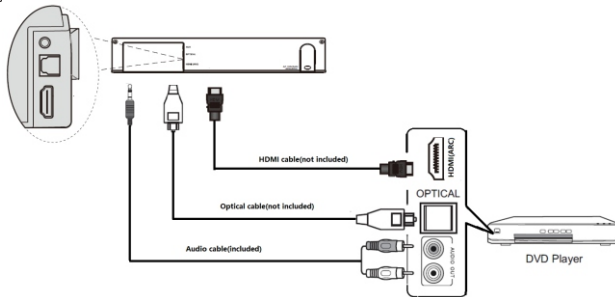
2. Σύνδεση της ηχητικής γραμμής με τον αποκωδικοποιητή της τηλεόρασης.

Ελέγξτε τι εξόδους έχει ο αποκωδικοποιητής σας και στη συνέχεια χρησιμοποιήστε το κατάλληλο καλώδιο για να συνδέσετε τον αποκωδικοποιητή στο soundbar. Για τη σωστή λειτουργία αρκεί η σύνδεση με έναν τύπο συνδέσμου. Ελέγξτε το παρακάτω σχήμα.



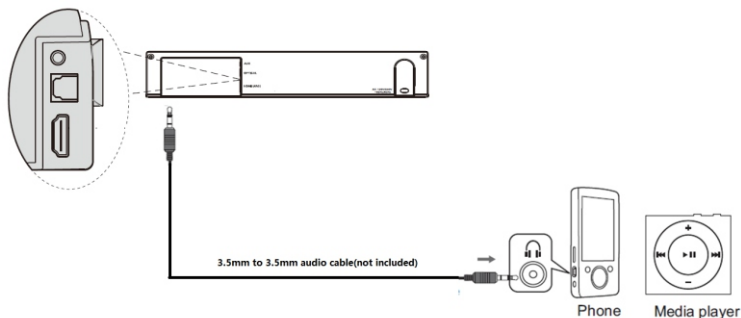
3. Σύνδεση του soundbar σε συσκευή αναπαραγωγής DVD ή Blue-ray DVD.

Ελέγξτε τι εξόδους έχει η συσκευή DVD/Blue-ray DVD και στη συνέχεια χρησιμοποιήστε το κατάλληλο καλώδιο για να συνδέσετε την συσκευή στο soundbar. Για τη σωστή λειτουργία αρκεί η σύνδεση με έναν τύπο συνδέσμου. Ελέγξτε την παρακάτω εικόμα.



4. Σύνδεση του soundbar με την συσκευή αναπαραγωγής MP3

Το soundbar έχει μία είσοδο MP3 Link (AUX) στην οποία μπορεί να συνδεθεί οποιαδήποτε συσκευή αναπαραγωγής MP3. Χρησιμοποιήστε ένα κατάλληλο καλώδιο, τερματισμένο με βύσματα mini-jack, όπως φαίνεται στην εικόνα παρακάτω.

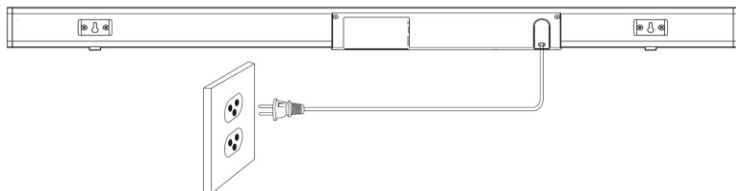


Προσοχή:

1. Εάν δεν ακουγεται ήχος απο το soundbar κατα τη συνουση μεσω οπτικου καλωσιου η HDMI, βεβαιωσετε οτι η ρυθμιση εξόδου ψηφιακού ήχου της συσκευής πηγής (π.χ. συσκευή αναπαραγωγής DVD, κονσόλα παιχνιδιών, τηλεόραση) έχει οριστεί σε «PCM stereo» ή «stereo 2.0». Ανατρέξτε στις οδηγίες χρήσης της τηλεόρασής σας ή άλλης συσκευής πηγής για αυτήν τη λειτουργία.
2. HDMI(ARC): Η γραμμή ήχου υποστηρίζει το πρότυπο HDMI ARC. Εάν η τηλεόρασή σας είναι συμβατή με το HDMI ARC (ανατρέξτε στις οδηγίες χρήσης της τηλεόρασής σας για λεπτομέρειες), μπορείτε να αναπαράγετε ήχο από την τηλεόρασή σας χρησιμοποιώντας τη γραμμή ήχου χρησιμοποιώντας ένα μόνο καλώδιο HDMI (δεν περιλαμβάνεται). Η υποδοχή HDMI ARC στην τηλεόραση μπορεί να είναι εισημισμένη με διαφορετικό τρόπο. Ελέγξτε τις οδηγίες χρήσης της τηλεόρασής σας.
3. Ο ήχος εξόδου σε οπτική λειτουργία και HDMI μπορεί να είναι δυνατότερος από ό, τι σε λειτουργία AUX IN, το οποίο είναι φυσιολογικό καθώς η στάθμη ψηφιακού σήματος ήχου μπορεί να είναι διαφορετική από την αναλογική στάθμη σήματος.
4. Μόλις το soundbar έχει εγκατασταθεί και συνδεθεί σωστά, χρησιμοποιήστε το σύμφωνα με αυτές τις οδηγίες λειτουργίας.

Χρήση

Σύνδεση τροφοδοσίας: Βεβαιωθείτε ότι η πηγή τροφοδοσίας πληροί τις προδιαγραφές βαθμολογίας τάσης που βρίσκονται στο πίσω πλαίσιο του soundbar και του υπογούφερ. Εάν δεν ταιριάζει, συμβουλευτείτε τον αντιπρόσωπο ή το κέντρο σέρβις. Συνδέστε το βύσμα αναλλασσόμενου ρεύματος που περιλαμβάνεται σε μια πρίζα για να αποκτήσετε μια πηγή τροφοδοσίας.



Ενεργοποίηση/απενεργοποίηση της συσκευής: πατήστε στιγμιαία το κουμπί ενεργοποίησης στο soundbar για να ενεργοποιήσετε τη συσκευή· πιέστε επανειλημμένα για να αλλάξετε την πηγή αναπαραγωγής μεταξύ Bluetooth/οπτική εισόδου/HDMI/USB/AUX· πατήστε και κρατήστε πατημένο (3 δευτερόλεπτα) το κουμπί λειτουργίας για να θέσετε τη συσκευή σε κατάσταση αναμονής. Μπορείτε επίσης να ενεργοποιήσετε τις ίδιες λειτουργίες πατώντας το κουμπί λειτουργίας και την πηγή ήχου στο τηλεχειριστήριο. Εάν ενεργοποιήσετε το soundbar και το ασύρματο subwoofer, οι συσκευές θα συνδεθούν αυτόματα μεταξύ τους σε δευτερόλεπτα. Εάν όχι, δοκιμάστε τη λειτουργία χειροκίνητης σύζευξης που περιγράφεται στο επόμενο κεφάλαιο αυτού του εγχειριδίου.

Λειτουργία Bluetooth

Αυτό το προϊόν διαθέτει τη λειτουργία Bluetooth, χάρη στην οποία μπορείτε να αναπαράγετε ασύρματα μουσική από άλλη συσκευή Bluetooth (όπως smartphone, tablet, τηλεόραση κ.λπ.).

1. Ενεργοποιήστε τη συσκευή, πατήστε το κουμπί πηγής ήχου στο τηλεχειριστήριο αρκετές φορές για να μεταβείτε στη λειτουργία Bluetooth και το σύμβολο «BT» θα αναβοσβήνει στην οθόνη, υποδεικνύοντας ότι η συσκευή είναι έτοιμη για σύζευξη.
2. Ενεργοποιήστε τη λειτουργία Bluetooth στην εξωτερική συσκευή και αναζητήστε τις διαθέσιμες συσκευές σύζευξης (ανατρέξτε στο εγχειρίδιο της εξωτερικής συσκευής) και, στη συνέχεια, ελέγξτε τη διαθέσιμη συσκευή Bluetooth στη λίστα. Επιλέξτε το «BP LS200» για ζεύξη. Μετά την επιτυχή σύζευξη, το σύμβολο Bluetooth θα σταματήσει να αναβοσβήνει και θα σταθεροποιηθεί στην οθόνη του soundbar.
3. Επιλέξτε και αναπαράγετε μουσική από μια εξωτερική συσκευή Bluetooth, προσαρμόστε την ένταση ανάλογα και, στη συνέχεια, ο ήχος θα εκπέμπεται χρησιμοποιώντας αυτό το soundbar.
4. Στη λειτουργία Bluetooth, μπορείτε να εκτελέσετε λειτουργίες όπως: επιλογή του προηγούμενου/επόμενου κομματιού, αναπαραγωγή/πάυση, σίγαση κ.λπ. πατώντας το κατάλληλο κουμπί στο τηλεχειριστήριο.

Σημειώσεις:

- a. Η σύζευξη δεν είναι εγγυημένη για όλες τις συσκευές Bluetooth λόγω διαφορετικών σχεδίων και επωνυμιών.

- β. Η καλύτερη απόσταση εργασίας για Bluetooth είναι 10 μέτρα χωρίς εμπόδιο μεταξύ συσκευών.
- γ. Η συσκευή μπορεί να συζευχθεί και να λειτουργήσει μόνο με μία συσκευή Bluetooth.
- δ. Στην περίπτωση εισερχόμενης κλήσης κατά την αναπαραγωγή Bluetooth, η μουσική θα σταματήσει προσωρινά και θα συνεχίσει μετά το τερματισμό της τηλεφωνικής κλήσης.
- ε. Το παρατεταμένο πάτημα του κουμπιού σύζευξης στο τηλεχειριστήριο μπορεί να τερματίσει την τρέχουσα σύνδεση της συσκευής Bluetooth και να ξεκινήσει τη σύζευξη με άλλη συσκευή.

Σύνδεση Bluetooth στην τηλεόραση: Εάν η τηλεόρασή σας διαθέτει Bluetooth, μπορείτε να τη συνδέσετε ασύρματα στο soundbar και να αναπαράγετε ήχο από την τηλεόραση. Ενεργοποιήστε τη λειτουργία Bluetooth στην οθόνη της τηλεόρασης και αναζητήστε την ένδειξη «BP LS200» στη λίστα συσκευών σύζευξης. Ανατρέξτε στις οδηγίες χρήσης της τηλεόρασής σας για λεπτομέρειες.

Λειτουργία της συσκευής αναπαραγωγής USB

Η συσκευή διαθέτει λειτουργία αναπαραγωγής USB που μπορεί να αποκωδικοποιήσει και να παίξει μουσική από εξωτερική συσκευή μνήμης USB. Πριν ξεκινήσετε τη λειτουργία, αντιγράψτε τη μουσική MP3 στη μονάδα μνήμης USB- εισαγάγετε την προετοιμασμένη μονάδα μνήμης USB στο soundbar, η λειτουργία USB είναι διαθέσιμη μόνο αφού η μονάδα μνήμης USB έχει συνδεθεί με επιτυχία στο soundbar. Στη συνέχεια, η συσκευή θα εντοπίσει και θα αναπαράγει αυτόματα τη μουσική που αποθηκεύεται σε μορφή MP3.

Στη λειτουργία αναπαραγωγής USB, πατώντας το αντίστοιχο κουμπί στο τηλεχειριστήριο, είναι διαθέσιμες οι ακόλουθες λειτουργίες: επιλογή κομματιού/αναπαραγωγή/πάυση/διόρθωση ήχου/μπάσο και ρύθμιση πρίμυμ κ.λπ.

Σημειώσεις:

- α. Δεν συνιστάται η σύνδεση μιας μονάδας μνήμης USB με καλώδιο προέκτασης USB, καθώς αυτό μπορεί να προκαλέσει θόρυβο ή διακοπόμενο ήχο λόγω απώλειας δεδομένων ήχου κατά τη διάρκεια της μετάδοσης.
- β. Δεν είναι εγγυημένη η αναπαραγωγή όλων των αρχείων MP3/WMA
- γ. Η μέγιστη χωρητικότητα της υποστηριζόμενης μνήμης USB είναι 32 GB.
- δ. Μπορεί να χρειαστεί λίγος χρόνος για να παίξετε κάποιες μονάδες μνήμης USB. Λάβετε υπόψη ότι δεν πρόκειται για σφάλμα.

Χειροκίνητη σύζευξη του ασύρματου υπογούφερ με το soundbar:

Το soundbar συνδέζεται με ένα ασύρματο υπογούφερ από προεπιλογή. Εάν αντιμετωπίζετε πρόβλημα με τη σύνδεση, δοκιμάστε τα εξής:

- α. Συνδέστε το soundbar στην παροχή ρεύματος και ενεργοποιήστε τη συσκευή, μεταβείτε στη λειτουργία Bluetooth- τότε το soundbar είναι σε λειτουργία σύζευξης με το υπογούφερ.
- β. Εν τω μεταξύ, συνδέστε το ρεύμα και ενεργοποιήστε το ασύρματο υπογούφερ, η μπλε ενδεικτική λυχνία θα αναβοσβήνει αργά στον πίσω πλάκα. Πατήστε και κρατήστε πατημένο το κουμπί WPS AUTO PAIR στο πίσω μέρος του υπογούφερ (3 δευτερόλεπτα). Η μπλε λυχνία LED θα αναβοσβήνει γρήγορα, αυτό σημαίνει ότι το υπογούφερ βρίσκεται σε διαδικασία σύζευξης με το soundbar.
- γ. Μετά από περίπου 20-30 δευτερόλεπτα, η μπλε λυχνία LED του subwoofer θα σταματήσει να αναβοσβήνει και θα σταθεροποιηθεί, πράγμα που σημαίνει επιτυχή σύζευξη του soundbar με το υπογούφερ.
- δ. Μετά την πρώτη επιτυχή αντιστοίχιση, η soundbar και το υπογούφερ θα συνδεθούν αυτόματα.
- ε. Το ασύρματο υπογούφερ μπορεί να συνδασαστεί με ένα άλλο soundbar LS200SUB από την ίδια παρτίδα. Επαναλάβετε την παραπάνω λειτουργία, αλλά βεβαιωθείτε ότι μόνο η επιθυμητή ηχομπάρα και το ασύρματο υπογούφερ είναι ενεργοποιημένα κατά τη διάρκεια της σύζευξης.

Προσοχή:

- α. Εάν το ασύρματο υπογούφερ είναι ενεργοποιημένο, αλλά η ηχητική γραμμή είναι απενεργοποιημένη ή σε κατάσταση αναμονής- μετά από λίγα λεπτά, η μπλε LED του ασύρματου υπογούφερ θα γίνει κόκκινη επειδή βρίσκεται σε κατάσταση αναμονής.
- β. Κατά τη χρήση του LS200SUB πρέπει να τηρείται επαρκής απόσταση από άλλες ασύρματες συσκευές Wi-Fi/2.4G για την αποφυγή παρεμβολών στην ποιότητα του ήχου που προκαλούνται από άλλο ασύρματο σήμα.
- γ. Η μέγιστη εμβέλεια της σύνδεσης μεταξύ του soundbar και του ασύρματου υπογούφερ είναι 10 μέτρα ανοιχτά, προκειμένου να διατηρηθούν οι καλύτερες ηχητικές παράμετροι, προτείνουμε απόσταση 6 μέτρων.

Αντιμετώπιση προβλημάτων

1. Το ηχείο δεν μπορεί να ενεργοποιηθεί.

- α. Ελέγξτε εάν η σύνδεση παροχής ρεύματος είναι σωστή.

2. Δεν υπάρχει ήχος.

- α. Δοκιμάστε να ρυθμίσετε το επίπεδο έντασης ήχου, ελέγξτε το κουμπί σίγασης και την πηγή αναπαραγωγής.
- β. Επικοινωνήστε με το κέντρο σέρβις για βοήθεια εάν το πρόβλημα παραμένει.

3. Παραμόρφωση ήχου.

- α. Προσαρμόστε να παίξετε μουσική σε χαμηλότερο επίπεδο έντασης.
- β. Ελέγξτε την κατάσταση ρύθμισης σοπράνων/μπάσων.
- γ. Δοκιμάστε να μειώσετε την ένταση σε μια εξωτερική συσκευή, όπως μια τηλεόραση κ.λπ.

4. Διαλείπων ήχος στη λειτουργία Bluetooth.

- α. β. Δοκιμάστε να τοποθετήσετε τη συσκευή Bluetooth πιο κοντά στο ηχείο.

5. Κανένας ήχος σε οπτική λειτουργία ή HDMI(ARC).

- α. Ελέγξτε ότι το soundbar και η εξωτερική συσκευή είναι σωστά συνδεδεμένες.
- β. Βεβαιωθείτε ότι η τηλεόρασή σας είναι συμβατή με HDMI(ARC) και ότι έχει συνδεθεί η σωστή θύρα. Ρυθμίστε την τηλεόραση σε HDMI ARC(CEC).
- γ. Ορίστε τη λειτουργία εξόδου ήχου τηλεόρασης σε PCM.

6. Δεν ακούγεται ήχος από το υπογούφερ.

α. Πατήστε και κρατήστε πατημένο το κουμπί WPS της αυτόματης σύζευξης στο πίσω μέρος του υπογούφερ για επαναφορά και ζεύξη ασύρματα με το soundbar.

β. Απενεργοποιήστε και ενεργοποιήστε ξανά το soundbar και το υπογούφερ και, στη συνέχεια, αντιστοιχίστε χειροκίνητα τη συσκευή σύμφωνα με τις οδηγίες χρήσης.

γ. Επικοινωνήστε με το κέντρο υποστήριξης εάν το πρόβλημα παραμένει.

Προδιαγραφές

Γενικά

Τροφοδοσία: AC110~240V 50/60Hz

Κατανάλωση ισχύος (σε λειτουργία): 192 W

Κατανάλωση ισχύος σε κατάσταση αναμονής: < 0,5 W

Ισχύς εξόδου RMS: 160 W (40 W x 2 + 80 W υπογούφερ)

Συνολική αρμονική παραμόρφωση: <1% (1 kHz, 1 W)

Ευαισθησία εισόδου ήχου: 800mV

Εύρος ζώνης: 45 Hz – 20 KHz

Υποστηριζόμενες μορφές ήχου σε λειτουργία USB: MP3/WAV

Μέγιστη υποστηριζόμενη χωρητικότητα μνήμης USB: έως 32 GB μέγ.

Διαστάσεις του soundbar: 960 x 70 x 78 mm (πλάτος x ύψος x βάρος)

Διαστάσεις του υπογούφερ: 170 x 380 x 306 (Π x Υ x Β)

Ηχεία

Εμπέδηση και μέγεθος ηχείων ηχητικών ράβδων: 4Ω *4; 2,25 in

Αντίσταση και μέγεθος του υπογούφερ: 3Ω*1; 6,5 in

Bluetooth

Έκδοση Bluetooth: V5.0

Εύρος λειτουργίας: περίπου 10 μέτρα

Συχνότητα μετάδοσης: 2,402 ~ 2,480 GHz

Πρωτόκολλα: A2DP/AVRCP

(Παρατηρήσεις: οι προδιαγραφές του προϊόντος υπόκεινται σε αλλαγές χωρίς προειδοποίηση.)

Αξεσουάρ

Τηλεχειριστήριο x 1 τεμ.

Μπαταρία τηλεχειριστηρίου x 1 ζεύγος

Οδηγίες χρήσης x 1 τεμ.

Κάρτα εγγύησης x 1 τεμ.

Καλώδιο ήχου (στερεοφωνικό RCA 3,5 mm) x 1 τεμ.

Βίδες για τοποθέτηση σε τοίχο: ST4 * 45mm x 2 τεμ. + πλαστικοί πείροι συναρμολόγησης x 2 τεμ.

HOIATUS



HOIATUS

ELEKTRILÖÖGIOHT
MITTE AVADA**Hoiatus:**

Elektrilöögi ohu vähendamiseks ei tohi seadme katet ega tagumist osa lahti monteerida. Seadmes ei ole kasutajapoolseks iseseisvaks parandamiseks ette nähtud elemente. Seadme hoolduse ja parandamisega tegelevad ainult teeninduse kvalifitseeritud töötajad.

Graafiliste sümbolite selgitus:

Välgunoole sümbol võrdkõlguses kolmnurgas hoiatab kasutajat seadme sees esinevast isoleerimata „ohtlikust pingest“, mis võib saavutada elektrilöögi ohuga ähvardava tugevuse.



Hüüumärk võrdkõlguses kolmnurgas hoiatab kasutajat sellest, et antud hetkel edastatakse seadmega kaasas olevas dokumendis seadme teenindust ja hooldust käsitlevat olulist teavet.

Enne seadme teenindamise alustamist palume käesolev juhend, selle funktsioonidega tutvumiseks ja sihtotstarbeliseks kasutamiseks, läbi lugeda. See tagab seadme kauakestva, riketeta teeninduse ja kasutusrõõmu.

Oluline informatsioon.

- Teenindusjuhend ja ohutust käsitlev teave tuleb edaspidiseks kasutuseks säilitada.
- Ei tohi lasta tekkida olukorral, kui seadmele või selle sisemusse tilgub vesi.
- Samuti ei tohi seadet kasutada niisketes kohtades, nagu nt vannituba.
- Antud seadet ei tohi paigaldada järgnevasse kohtadesse:
- Mis on avatud päikesekiirguse vahetule toimele või radiaatorite lähedusse.
- Asetada muu, soojust eraldava, stereofoonilise varustuse peale.
- Blokeerides ventilatsiooni või tolmusesse kohta.
- Pidevale vibratsioonile allutatud kohtadesse.
- Kõrge niiskustasemega kohtadesse.
- Seadet ei tohi asetada küünalde või avatud tule lähedusse.
- Seadet võib kasutada ainult käesolevas juhendis kirjeldatud viisil.
- Enne toite esimest sisselülitamist tuleb veenduda, et toide oleks õigesti ühendatud.
- USB mälu ühendatakse vahetult või kuni 25 cm pikkuse USB pikendusjuhtmega.

Ohutuse seisukohalt ei tohi korpuseid lahti võtta ega üritada seadme sisemuses tungida. Seadet võivad parandada ainult teeninduse kvalifitseeritud töötajad.

Seadet ei tohi lahti keerata ega selle korpusi avada, sest selles ei ole kasutaja poolt parandatavaid osi. Seadme hoolduse ja parandamisega tegelevad ainult teeninduse kvalifitseeritud töötajad.

OHUTUST KÄSITLEV OLULINE TEAVE

1. Luge da juhend läbi – enne seadme kasutamist alustamist tuleb kogu teenindusjuhend ja ohutus käsitlev teave läbi lugeda.
2. Säilitada juhend – kasutus- ja teenindusjuhend tuleb edaspidiseks kasutuseks säilitada.
3. Järgida hoiatusi – toimida kooskõlas kõikide seadmel paiknevate hoiatuste ja teenindusjuhendiga.
4. Järgida juhiseid – toimida kooskõlas teenindusjuhendi ja kasutajale mõeldud juhistega.
5. Paigaldada – paigaldada seade kooskõlas tootja juhistega.
6. Toiteallikad – seadme toiteks peab kasutama ainult toitekaabli märgistustel antud parameetritega allikaid. Juhul kui kasutaja ei ole kindel kodus oleva toite liigis, peab ta ühendust võtma seadme müüja või kohaliku elektrienergia tarnijaga.
7. Toite maandus ja polaarused – seade ei pea olema maandatud. Vältimaks tihvtide või klemmide paljastumist veenduda, et pistik oleks võrgupesassa või pikendusse sisestatud lõpuni. Mõned seadme versioonid võivad olla varustatud vahelduvvoolu polaarsete pistikutega (üks tihvt laiem). Selliseid pistikuid võib sisestada võrgupesassa ainult ühel viisil. See on kaitsefunktsioon. Kui pistikut ei saa pesa sisestada tuleb proovida seda pöörata. Kui pistik ei sobi ka siis pesaga tuleb elektrikut tellida selle väljavahetamine. Polaarset pistikut ei tohi kaitseid eemaldada. Kasutades muud pikendusjuhet või toitekaablit, kui seadmega koos tarnitavat, peavad neil olema asjakohased pistikud ja antud riigis nõutav ohutustunnistus.
8. Toitekaabli kaitse – toitekaabel tuleb vedada nii, et selle peal ei oleks võimalik kõndida, seda suruda või asetatud esemetega vigastada. Pöörata erilist tähelepanu pistikutele, võrgupesadele ja kohtadele, kus kaabel läbi veetakse.
9. Ülekoormamine – seinakontakte, pikendusjuhtmeid ja vargapesasid ei tohi üle koormata, sest see ohustab tulekahju puhkemise või elektrilöögiaga.
10. Ventilatsioon – seadet tuleb korralikult ventileerida. Seadet ei tohi asetada voodile, diivanile või muudele sarnastele pindadele. Seadet ei tohi katta laualinade, salvrätikute, ajalehtede jms.
11. Soojus – mitte asetada seadet soojusallikate, nagu radiaatorid, kiirgurid, ahjud või muud soojust eritavad seadmed (ka võimendid), lähedale. Mitte asetada seadmele põlevaid küünlaid ja muid avatud tule allikaid.
12. Vesi ja niiskus – tulekahju või elektrilöögi ohu vähendamiseks ei tohi seadet vihma, vee ja niiskuse vahetule toimele, nagu nt saunas või vannitoas, allutada. Mitte kasutada käesolevat seadet vee, näiteks vanni, kraanikausi, köögivalamu või pesupali, läheduses, niiskes keldris või basseini juures (või sarnastes kohtades).
13. Esemed ja vedelikud seadmes – läbi seadme avade ei tohi sisse suruda mingeid esemeid, sest need võivad kokku puutuda ohtliku pinge punktidega, mis omakorda võib põhjustada tulekahju või elektrilöögi. Mitte mingil juhul ei tohi seadme pindadele mingeid vedelikke kallata. Seadmele ei tohi asetada vedelikke sisaldavaid esemeid.
14. Puhastamine – enne puhastamist tuleb seade alati võrgupesast lahti ühendada. Kõlari ümbrusest võib tolmu eemaldada kuiva lapiga. Kasutades puhastamiseks aerosooli ei tohi pirtsimisvoogu suunata vahetult seadmele vaid lapile. Tuleb jälgida, et ajamüüksused kahjustusi ei saaks.
15. Täiendav varustus – keelatud on kasutada tarvikuid, mis ei ole tootja poolt lubatud, sest võivad osutada ohuallikateks.

16. Tarvikud – seadet ei tohi asetada ebastabiilsele kärule, alusraamile, statiivile, tugialusele või lauale. Seade võib ümber kukkuda ja saada kahjustusi ning vigastada tõsiselt last või täiskasvanut. Kasutada ainult tootja poolt määratletud või koos seadmega müüdavaid kärusid, alusraame, statiive, tugialuseid või laudu. Seadme paigaldust tuleb teostada kooskõlas tootja juhistega, kasutades tootja poolt soovitatud paigalduskomplekti.
17. Seadme teisaldamine – kärule paigutatud seadet tuleb sõidutada väga ettevaatlikult. Äkiline pidurdamine, ülemäärane jõud või ebatasane pind võivad põhjustada käruga ja seadme ümberminekku.
18. Seadme mittekasutamise periood – toitekaabel tuleb äikesetormide ajal või kui seadet pikema aja jooksul ei kasutata võrgupesast lahti ühendada.
19. Teenindus – keelatud on seadme ülevaltast omakäeliselt läbi viia. Avatud katted võivad põhjustada kokkupuudet ohtliku pingega ja osutada ohtlikuks. Seadme hoolduse ja parandamisega tegelevad ainult teeninduse kvalifitseeritud töötajad.
20. Kui seadet ei kasutata, tuleb selle pistik võrgupesast lahti ühendada. Toiteallikaga ühendatuna on seade ooterežiimis ja ei ole täielikult välja lülitatud.
21. Varuosad – osade väljavahetamisel tuleb kontrollida kas teeninduse töötaja on kasutanud tootja poolt soovitatud varuosi või kas osad on originaalosadega identsed. Väljavahetamine kinnitamata osade vastu ohustab tulekahju puhkemise, elektrilöögi ja muude turvariskidega.
22. Peakaitsmed – seadme alalise tulekahjuvastaseks kaitseks tuleb kasutada õiget tüüpi ja asjakohaste parameetritega kaitsmeid. Antud pingela kaitsmete parameetrid on märgitud seadmele.
23. Helitegevust ei tohi muusikapala valitse osakuulamisel või audio sisendsignaali puudumisel tõsta. Vastasel juhul võib signaali äkiline tugevnemine kõlarit kahjustada.
24. Seadme toiteallikast täieliku lahtiühendamise ainsaks viisiks on toitekaabli toitesepast või seadme eemaldamine. Võrgupesava või toitekaabli seadme sisend peavad toote kasutamise käigus alati juurdepääsetavad olema.
25. Seade tuleb paigutada võrgupesava või pikendusjuhtme lähedusse nii, et need oleks alati juurdepääsetavad.
26. Seadme keskkonna maksimaalne temperatuur võib olla kuni 35°C.
27. Elektrostaatilisest laadusest puudutavad juhised – kui seadme töö on häiritud elektrostaatilisest laadusest tuleb see välja lülitada ja seejärel uuesti sisse lülitada või teise kohta ümber tõsta.
28. Patareid
- a. Patareid ei tohi allutada ülemäärase soojuse, nagu nt päikesekiired, tuli jms, toimele.
- b. Patareide utiliseerimisel tuleb pöörata tähelepanu keskkonnakaitses aspektidele.
- c. Patareide kasutamist puudutav hoiatus: patareidel ei tohi lasta kuluda kuni lekkimiseni, mis võib põhjustada kehavigastusi ja seadme kahjustusi:
- Patareide sisestamisel pöörata tähelepanu nende polaarusele (+ ja -).
 - Ei tohi kasutada samaaegselt erinevaid patareid — vanu ja uusi, standardseid ja alkaalipatareid, jne.
 - Kui seadet pikema aja jooksul ei kasutata, tuleb patareid välja võtta.

HOIATUS

- Seadet ei tohi kasutada piiratud füüsiliste, sensoorsete ja psüühiliste võimetega või seadmea töötamise kogemusi või teadmisi mitte omavad inimesed (sealhulgas lapsed), kui nad ei viibi nende ohtu eest vastutavate isikute järelevalve all või kui neid ei ole seadme ohutu kasutamise teemal instrueeritud. Kui seadet teenindavad lapsed, on nõutav täiskasvanute kohaolek; see võimaldab tagada seadme ohutu kasutuse.
1. Keelatud on töötav seadet järelevalveta jätta! Kui seadet isegi lühikese aja jooksul ei kasutata, tuleb see välja lülitada.
 2. Seadet ei tohi teenindada taimeriga välise kella vahendusel ega eraldiastseva kaugjuhtimisega süsteemi abil.
 3. Toitejuhtme kahjustuste korral ohtude vältimiseks peab väljavahetamist teostama tootja, autoriseeritud teeninduspunkt või muu, asjakohast kvalifikatsiooni omav isik.
 4. Enne seadme teenindamise juurde asumist tuleb veenduda, et selle pinge vastab kohalikus toitevõrgus esinevale pingele.
 5. Seadme ventilatsioonivõime ei tohi kinni katta, nt ajalehtede, lauajala, kardinatega, jms. Tuleb veenduda, et seadme kohal on vähemalt 20 cm vaba ruumi ja sellel igal küljel — vähemalt 5 cm.
 6. Ei tohi lasta tekkida olukorral kui seadmele või selle sisemusse tilgub või voolab vedelik ega tohi sellele asetada vedelikega täidetud esemeid, selliseid nagu vaasid.
 7. Tulekahju või elektrilöögi vältimiseks tuleb seadet kaitsta kuumade kohtade, vihma, niiskuse ja tolmu toime eest.
 8. Seadet ei tohi paigutada mingite veeallikate, nt kraanide, vannide, pesumasinate või ujumisbasseinide lähedusse. Seade tuleb asetada tasasele ja stabiilsele aluspinnale.
 9. Seadet ei tohi allutada tugevate magnetväljade toimele.
 10. Vahetult võimendile või vastuvõtjale seadet asetada ei tohi.
 11. Seadet ei tohi viia niiskesse kohta, sest niiskusel on elektrilistele allüksustele kahjulik mõju.
 12. Peale seadme külmast sooja või niiskesse kohta toomist võib mönigi aja sees olevale läätsele tekkida niiskuse kondensatsioon. Sellises olukorras seade korralikult tööle ei hakka. Niiskuse aurumise vältimiseks tuleb sisselülitatud seade jätta umbes tunniks ajaks seisma.
 13. Seadet ei tohi puhastada keemiliste lahustitega, sest need võivad kahjustada korpuse lakikihti. Seadet pühitakse puhta, kuiva või vähesel määral niisutatud lapiga.
 14. Pistiku seinakontaktist eemaldamisel tuleb alati tõmmata pistikut, mitte aga toitekaablit.
 15. Kui sisselülitatud seadet kasutatakse sisselülitatud teleri läheduses võib see osutada ekraanil joontena nähtavate häirete allikaks. Sõltub TV ülekande laineribast. See ei tähenda aga ei seadme ega teleri väärat töötamist. Selliste häirete ilmumisel tuleb seade telerist eemale nihutada.
 16. Võrgupistikut kasutatakse toitepinge lahti ühendamiseks ja see peab alati juurdepääsetav olema.
 17. Võimalike kuulmiskahjustuste vältimiseks ei tohi muusikat pikemat aega valjult kuulata.



TÄHELEPANU



Deklaratsioon

Blaupunkt Competence Center 2N-Everpol Sp. z o.o. teavitab käesolevaga, et seade vastab direktiivi 2014/53 / EL nõuetele ja selle muudele asjakohastele sätetele. Täielik vastavusdeklaratsioon asub leheküljel www.blaupunkt.com toote järjehoidjas.

Vastutav ettevõtte: 2N-Everpol Sp. z o.o.

Puławska 403A, 02-801 Varssavi, Poola

Telefon: +48 22 331 99 59, e-mail: info@everpol.pl



Toode on toodetud kõrgkvaliteetsetest taastootmisesse suunatavatest ja taaskasutatavatest materjalidest ning allüksustest.



Seadmel paiknev läbitõmmatud prügikorvi sümbol tähendab, et toode on hõlmatud Euroopa direktiivi 2012/19/EU sätetega. Tutvuda kohaliku süsteemi elektriliste ja elektrooniliste jäätmete käitlemist puudutavate nõuetega. Toimida kooskõlas kehtivate eeskirjadega. Käesolevat toodet ei tohi ära visata koos tavaliste olmejäätmetega. Vana toote õige kõrvaldamine väldib potentsiaalseid looduskeskkonnale ja inimtervisele kahju tekitavaid tagajärgi.



Seade on varustatud Euroopa direktiiviga 2006/66/EC hõlmatud patareidega. Patareide äraviskamine koos kodumajapidamisjäätmetega on keelatud. Tutvuda patareide eraldi asetsevalt kogumist käsitlevate kohalike eeskirjadega, sest õige utiliseerimine väldib potentsiaalseid looduskeskkonnale ja inimtervisele kahju tekitavaid tagajärgi.

Looduskeskkonna kaitset käsitlev teave

Pakend sisaldab ainult vajalikke elemente. Tehtud on kõik endast olenev, et kolm koostismaterjali oleks hõlpsasti eraldatavad: papp (kast), polüstüreenvaht (seesmine kaitse) ja polüetüleen (kotid, kaitsepoogen). Toode on toodetud materjalidest, mida saab suunata taastootmisesse ja peale nende eriotstarbelise ettevõtte poolt demonteerimist, uuesti kasutada. Järgida pakendmaterjalide, patareide ja kasutatud seadmete utiliseerimist käsitlevaid kohalikke ettekirjutusi. Materjalide salvestamiseks ja esitamiseks võib vaja minna nõusolekut. Tutvuge autoriõiguse ja esinejate/kunstnike õiguste seadusega.

ERP2 (elektrienergiaga seotud seadmed) puudutav märkus

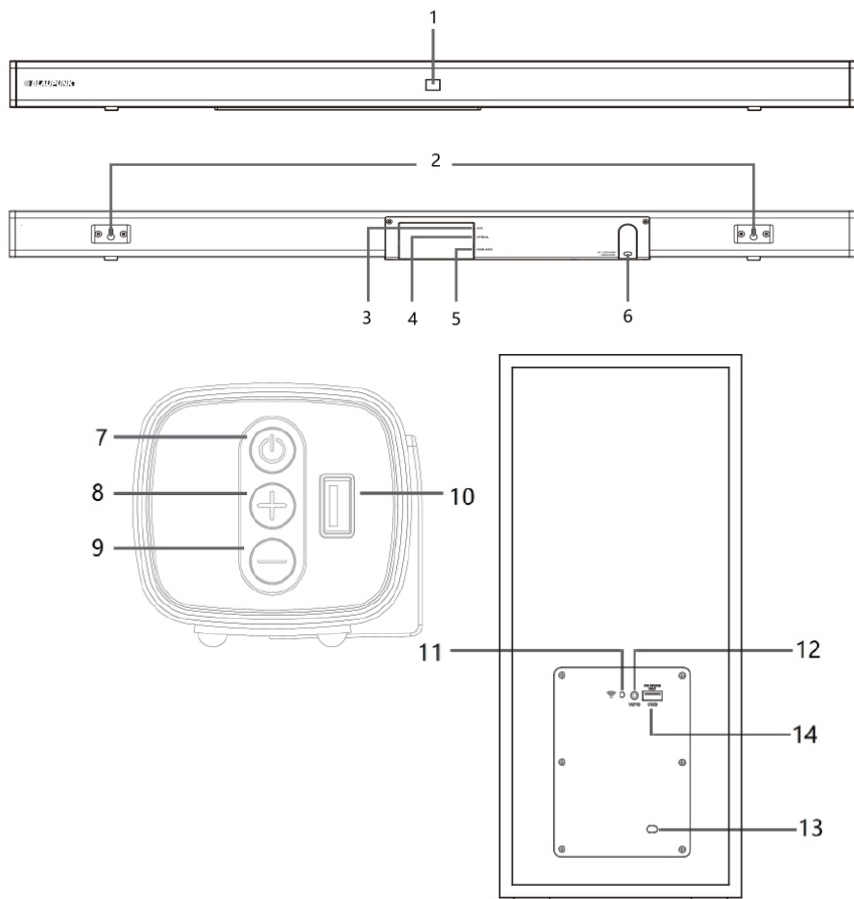
Käeolev ökoprojektiga seade vastab vastab ökoprojektide nõudeid käsitleva KOMISJONI (EÜ) MÄÄRUSE nr 1275/2008 kontori- ja kodukasutuseks mõeldud seadmete väljalülitatuna ja ooterežiimis energiatarbimist puudutava direktiivi 2009/125/WE jõustava 2. etapi nõuetele.



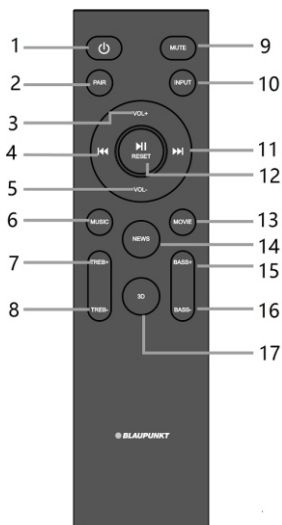
Kaubamärgi ja logo Bluetooth® omanik on ettevõtte Bluetooth SIG, Inc. USA. Asjaomaste kaubamärkide ja logo kasutamine on litsentseeritud. Muud märgid ja kaubanimed kuuluvad asjakohastele omanikele.

Täname meie mudeli ostmise eest, enne seadme käivitamist palume käesolev juhend hoolikalt läbi lugeda ja sellega tutvuda. Palume säilitada juhend tulevikus kasutamiseks.

Teeninduselementide paigutus



- 1 – Kuvar (BT = Bluetooth, OP = optiline sisend, Hd = HDMI, US = USB, AU = AUX);
 2 – Kinnitusklambri; 3 – AUX sisend; 4 – Optiline sisend; 5 – HDMI pesa (ARC);
 6 – Soundbari vahelduvvoolu toite pesa: AC 110/240 V ~ 50/60 Hz;
 7 – Toite/ooterežiimi nupp; 8 – Helitugevuse suurendamise nupp;
 9 – Helitugevuse vähendamise nupp; 10 – USB port esitamiseks;
 11 – Ühenduse seisundi diodnädik; 12 – Automaatse paarimise WPS nupp;
 13 – Subwooferi vahelduvvoolu toite pesa: AC 110/240v ~ 50/60Hz;
 14 – USB hooldetöödeks;



Kaugjuhtimispuul

1 – Toitenupp: Vajuta seadme sisse/väljalülitamiseks.

2 – Paarimise nupp: Jooksva Bluetooth seadme lahtiuhendamiseks ja teise seadmega paarimiseks valmisoleku režiimi minekuks vajuta pikemalt (3 sekundit).

3,5 – Nupp Helitugevus +/-: vajuta vajuse taseme määramiseks.

4,11 – Nupp eelmine/järgmine: vajuta Bluetooth või USB režiimis eelmisele/järgmisele muusikapalale ümberlülitamiseks.

6 – Nupp Muusika/13 – Nupp Film/14 – Nupp Uudised/17 – Nupp 3D: Vajuta sobiva helikorrektori valimiseks valitud nuppu

7, 8 – Kõrgete toonide nupp +/-: vajuta kõrgete toonide taseme määramiseks.

9 – Vaigistamise nupp: vajuta seadme vaigistamiseks, heli taastamiseks vajuta seda uuesti.

10 – Heliallika nupp: vajuta Bluetooth/optiline sisend/HDMI/USB/AUX esitusrežiimide vahel ümberlülitamiseks.

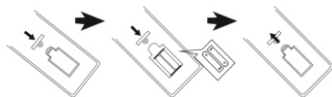
12 – Esitamise/pausi, lähtestamise nupp: vajuta Bluetooth või USB režiimis muusika esitamiseks või peatamiseks;

Vajuta pikemalt (3 sekundit), seadme lähtestamiseks, sealhulgas tugevuse, korrektori jms.

15, 16 – nupp bass +/-: vajuta basside taseme määramiseks.

Kaugjuhtimispuuldi patareide paigaldamine

Ava patareikambri kaas ja sisesta 2 AAA patareid (komplektis) kambrisse; Veendu, et patareide polaarsus on kambrile trükitud positiivse ja negatiivse polaarsuse tähistega kooskõlas. Seejärel sulge patareikamber.



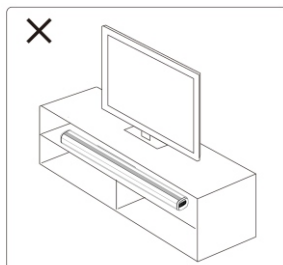
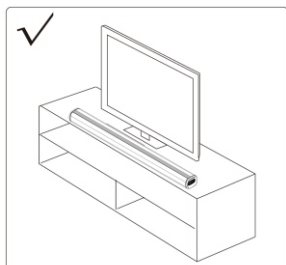
Märkused:

- Kaugjuhtimispuuldi parim kaugus, ilma mingite puldi ja soundbari vaheliste takistusteta, on 5 meetrit. Puldi kasutamisel tuleb see suunata soundbari esiküljel paiknevale kaugjuhtimispuuldi andurile.
- Patareide tühjakslaadimisel puldi tundlikkus väheneb. Siis tuleb need uute vastu välja vahetada.
- Puldi pikema mittekasutamise korral võtta patareid välja.
- Patarei tuleb utiliseerida keskkonnasõbralikul viisi. Üksikasjaliku teabe saamiseks, tutvu kohalike võimude nõudmistega.

Soundbari asetus

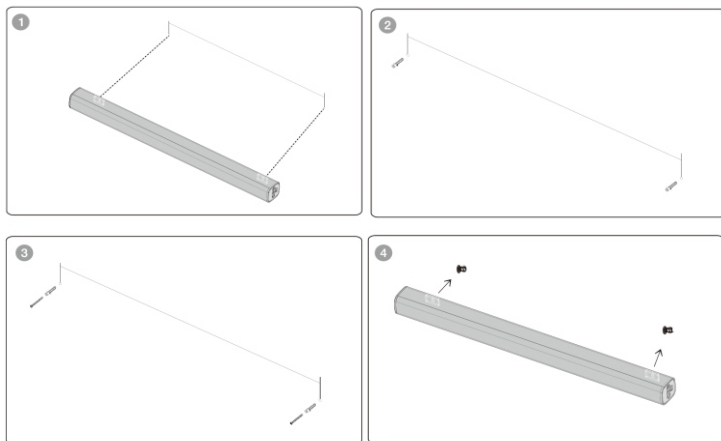
Parimaks soundbari ja juhtmevaba subwooferi vaheliseks töökauguseks on 6 meetrit (maksimaalne tööulatus on 10 meetrit). Ära paiguta subwooferit soundbarist liiga kaugemale. Soundbari võib panna tasasele pinnale või järgneval viisil seinale paigaldada:

1. Paiguta soundbar tasasele pinnale: Aseta seade horisontaalselt tasasele pinnale, nagu teler või kapp ja pane see teleri ekraani suhtes tsentraalselt. Jäta kõlari ja seina vahele veidi ruumi. Ära paiguta seda kappi või seinariiulisse. Parima helikvaliteedi ja soundbari ümber parima õhu läbivoolu saavutamiseks järgi neid juhiseid.



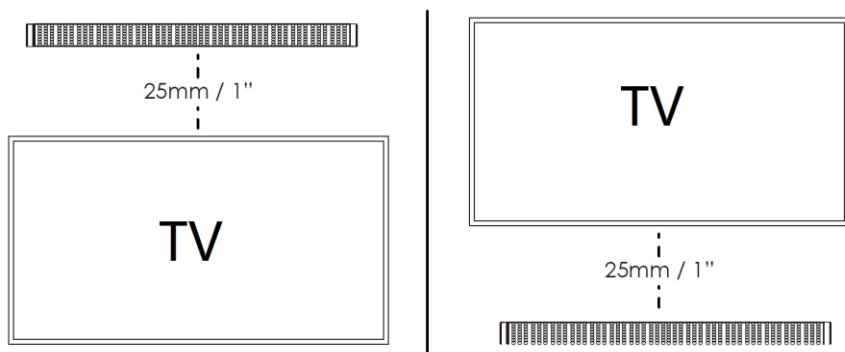
2. Paigaldamine seinale:

- Märgi soundbari abil pliitsiga seinale 2 avaust samasuguse vahemaaga kui soundbari seinaklambri avauste vahel. Seejärel puuri montaažiavad.
- Paiguta plasttüüblid seina ja keera kruvid plastklambri, kruvisid lõpuni keeramata, veendu, et veidi ruumi jääks.
- Pärast kruvide õigesti sissekeeramist riputa soundbar, kruvisid montaažiklambri sissestades, seinale.



Hoiatus: Kui Sa soundbari korraliku ja ohutu seinale paigaldamise suhtes kindel ei ole, kasuta kogunud ning kvalifitseeritud inimese abi.

Paigalda kõlar seina tugevatud pinnale. Tehismaterjalist seinte korral on suuremaks turvalisuseks soovitatav kõlar kinni keerata seinapostide külge. Optimaalse jõudluse saavutamiseks tuleb teleri ja soundbari vahele jätta vähemalt 25 mm/1".

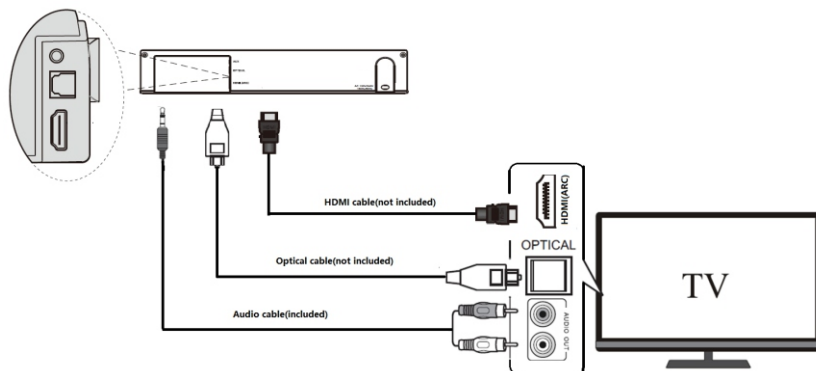


Audio juhtmeühendus ja seaded

Enne soundbari sisselülitamist palun kõigepealt ühendada seade. Soundbaril on erinevate allikate tarbeks digitaalsed (optiline ja HDMI (ARC)) ja analoogsed sisendid (AUX IN). Võid tutvuda Sinu kasutusesele olemale seadmele vastavalt alltoodud ühendust puudutavate juhistega.

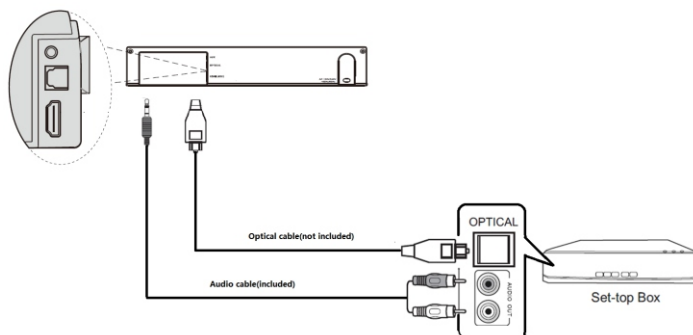
1. Soundbari ühendamine teleri väljunditega.

Eemalda pesalt OPTICAL otsakate ja ühenda seejärel optilise juhtme (ei kuulu komplekti) abil teleri väljundpesa OPTICAL OUT soundbari sisendpesaga OPTICAL. HDMI(ARC)/AUX liidese ühendamine toimub samal viisil.



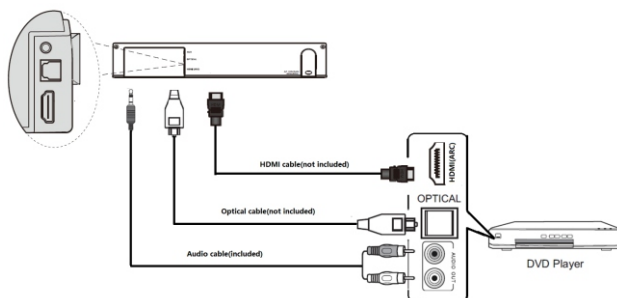
2. Soundbari ühendamine teleri dekodeeriga.

Kontrolli millised väljundid Sinu dekodeeril on ja kasuta seejärel selle soundbariga ühendamiseks sobivat juhet. Õigesti töötamiseks piisab ühte tüüpi ühenduse kasutamisest. Vaata joonist allpool.



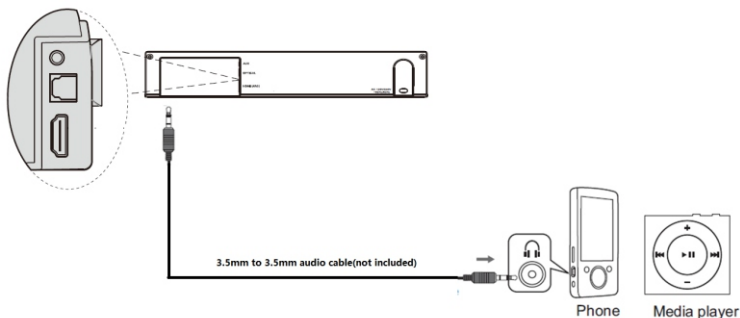
3. Soundbari ühendamine DVD või Blue-ray DVD mängijaga.

Kontrolli millised väljundid Sinu DVD/Blue-ray DVD mängijal on ja kasuta seejärel selle soundbariga ühendamiseks sobivat juhet. Õigesti töötamiseks piisab ühte tüüpi ühenduse kasutamisest. Vaata joonist allpool:



4. Soundbari ühendamine MP3 mängijaga

Soundbaril on üks sisend MP3 Link (AUX), millega võib ühendada vabaltvalitud MP3 mängija. Kooskõlas alltoodud joonisega kasuta mini-jack otsikutega sobivat juhet.

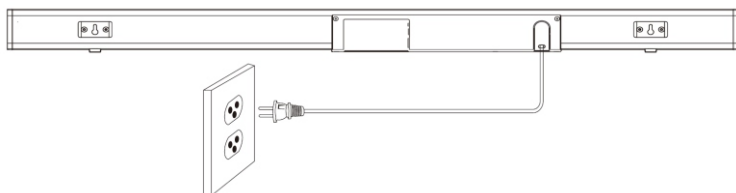


Tähelepanu:

1. Kui optilises või HDMI kaabli abil ühendamisel ei kõla soundbarist mingit heli, kontrolli, et allika seadme (nt DVD mängija, arvutikonsooli, teleri) digitaalse audioväljundi seade oleks määratud „PCM stereo“ või „stereo 2.0“ peale. Selle toimingu teostamiseks tutvuta teleri või muu seadme kasutusjuhendiga.
2. HDMI(ARC): Soundbar teenindab HDMI ARC standardit. Kui teler on HDMI ARC standardile vastav (üksikasjaliku teabe võib leida teleri kasutusjuhendist), võib teleri heli esitada soundbari abil üksikut HDMI kaablit (ei kuulu komplekti) kasutades. HDMI ARC ühendused võivad teleris olla teisiti tähistatud, palun kontrollida teleri kasutusjuhendist.
3. Optilises ja HDMI režiimis võib heli olla valjem kui AUX IN režiimis, mis on normaalne, sest digitaalse audiosignaali tase võib analoogse signaali tasemest erineda.
4. Pärast soundbari õigesti teostatud paigaldamist ja ühendamist kasuta seda kooskõlas käesoleva kasutusjuhendiga.

Kasutamine

Toite ühendamine: Kontrolli, kas toiteallikas vastab soundbari ja subwooferi tagapaneelil paiknevale nimipinge spetsifikatsioonile. Kui ei vasta, konsulteeri me müüja või teeninduskeskusega. Toiteallika saamiseks ühenda kaasasoleva vahelduvvoolu toitekaabli pistik seinakontakti.



Seadme sisse/väljalülitamine: seadme sisselülitamiseks vajuta lühidalt soundbaril paiknevat toitenuppu; Vajuta seda korduvalt esituse allika Bluetooth/optilise sisendi/HDMI/USB/AUX vahel ümberlülitamiseks; seadme lülitamiseks valmisoleku režiimi vajuta ja hoida toitenuppu all (3 sekundit). Samuti võid need funktsioonid saavutada puldil toite ja heliallika nuppu vajutades.

Soundbari ja juhtmevaba subwooferi sisselülitamisel paarivad seadmed teineteisega automaatselt mõne sekundi jooksul. Kui ei, proovi käsitsi paarimist, mida on kirjeldatud käesoleva juhendi edasises jaos.

Bluetooth kasutamine

Käesoleval seadmel on Bluetooth funktsioon, tänu millele saab teiselt Bluetooth seadmelt (nagu nutitelefoni, tahvelarvuti, teleri, jne) juhtmevabalt muusikat esitada.

1. Vajuta Bluetooth režiimi minekuks korduvalt puldil olevale heliallika nupule ja kuvaryl hakkab vilkuma sümbol „BT“, mis tähendab, et seade on paarimiseks valmis.
2. Lülita välisel seadmel sisse Bluetooth funktsioon ja leia paarimiseks saadaolevad seadmed (palun tutvuda välise seadme kasutusjuhendiga), seejärel kontrolli saadaolevat Bluetooth seadet loendist. Vali paarimiseks „BP LS200“. Pärast vaikimisi paarimist lõpetab Bluetooth sümbol soundbari kuvaryl vilkumise ja jääb stabiilseks.
3. Vali ja esita muusika väliselt Bluetooth seadmelt, kohanda asjakohaselt helitugevuse tase ja seejärel hakatakse heli esitatama käesoleva soundbari abil.
4. Puldil asjakohaseid nuppe vajutades võib Bluetooth režiimis teha järgnevaid toiminguid, nagu: eelmise/järgmise muusikapala valimine, esitamine/paus, vaigistamine, jms.

Märkused:

- a. Seoses erinevate konstruktsioonide ja kaubamärkidega ei tagata kõikide Bluetooth seadmete vaikimisi paarimist.
- b. Bluetooth parim tööolatus on seadmete vaheliste tõkete puudumisel 10 meetrit.
- c. Seadme võib paardida ja see töötab üheaegselt ainult ühe Bluetooth seadmega.
- d. Bluetooth esituse ajal sissetuleva ühenduse korral peatub muusika hetkeks ja taastub pärast telefoniühenduse lõppemist.
- e. Puldil paarimise nupu pikalt vajutamine võib Bluetooth seadme jooksva ühenduse lõpetada ja muu seadmega paarimise alustada.

Bluetooth ühendamine teleriga: Kui teleril on Bluetooth funktsioon, võib selle soundbariga juhtmevabalt ühendada ja heli telerist esitada. Lülita teleri ekraanil sisse Bluetooth funktsioon ja leia paarimiseks valmis seadmete loendist „BP LS200“. Üksikasjaliku teabe saamiseks, tutvuta teleri kasutusjuhendiga.

USB mängija kasutamine

Seadmel on väliselt USB mäluult muusika dekodeerimist ja esitamist võimaldav USB mängimise funktsioon. Enne toimingu alustamist kopeeri MP3 formaadis muusika USB mällu; sissest valmispannud USB mälu soundbari, USB režiim on saadaval alles pärast USB mälu vaikimisi soundbariga ühendamist. Seejärel tuvastab ja esitab seade automaatselt MP3 vormingusse salvestatud muusikat.

USB mängimise režiimis on puldil vastavate nuppude vajutamise läbi saadaval järgnevad funktsioonid: heliraja valimine/esitamine/paus/heli korrektor/madalate ja kõrgete toonide reguleerimine, jms.

Märkused:

- USB mälu ühendamine USB pikendusjuhtme abil ei ole soovitatav, sest seoses audio andmete kaoga ülekande käigus võib see põhjustada müra või katkendlikku heli.
- Kõikide MP3/WMA vormingus salvestatud failide esitamine ei ole garanteeritud
- Kasutatavate USB mäluude maksimaalne maht võib olla kuni 32 GB.
- Mõnede USB mäluude avamine võib veidi aega võtta; Tuleb meele pidada, et see ei ole viga.

Juhtmevaba subwooferi ühendamine soundbariga:

Soundbar paaritakse juhtmevaba subwooferiga vaikimisi. Ühenduse probleemide korral proovi alltoodud toiminguid:

- Ühenda soundbar toitega ja lülita seade sisse, mine Bluetooth režiimi; siis on soundbar subwooferiga paarimise režiimis.
 - Vahepeal ühenda toide ja lülita sisse juhtmevaba subwoofer, tagapaneelil hakkab aeglaselt vilkuma sinine LED diod. Vajuta ja hoiu (3 sekundit) subwooferi tagapaneelil paiknevat nuppu WPS AUTO PAIR. Sinine LED näidik hakkab kiiresti vilkuma, see tähendab, et subwoofer on soundbariga paarimise käigus.
 - Pärast umbes 20-30 sekundit lõpetab subwooferi sinine LED diod vilkumise ja jääb stabiilseks, mis tähendab soundbari ning subwooferi õnnestunud paarimist.
 - Pärast esimest õnnestunud paarimist hakkavad soundbar ja subwoofer ühenduma automaatselt.
 - Juhtmevaba subwooferi võib paarida samast partiist pärineva muu soundbariga LS200SUB. Korda ülaltoodud toiminguid, aga veendu, et paarimise ajal oleks sisse lülitatud ainult soovitud soundbar ja juhtmevaba subwoofer.
- Tähelepanu:
- Kui juhtmevaba subwoofer on sisse lülitatud, aga soundbar on välja lülitatud või valmisoleku režiimis; muutub juhtmevaba subwooferi sinine LED näidik mõne minuti pärast punaseks, sest on valmisoleku režiimis.
 - Muu juhtmevaba signaali poolt põhjustatud helikvaliteedi häirete vältimiseks tuleb LS200SUB kasutamise ajal säilitada muust juhtmevabast Wi-Fi /2,4G seadmest asjakohane kaugus.
 - Soundbari ja juhtmevaba subwooferi vahelise ühenduse maksimaalne ulatus on avatud ruumis 10 meetrit, heli parimate näitajate säilitamiseks soovitage kaugust 6 meetrit.

Probleemide lahendamine

1. Kõlarit ei saa sisse lülitada.

- Kontrolli kas toide on õigesti ühendatud.

2. Puudub heli.

- Proovi reguleerida helitugevuse taset, kontrolli vaigistamise nuppu ja esituse allikat.
- Probleemi jätkuva esinemise korral võta abi saamiseks ühendust teeninduskeskusega.

3. Heli on moonutatud.

- Proovi esitada muusikat madalamal helitugevuse tasemel.
- Kontrolli sopranite/basside seadeid.
- Proovi vähendada helitugevuse taset välises seadmes, nagu teler jms.

4. Katkev heli Bluetooth režiimis.

- Proovi Bluetooth seade soundbarile lähemale asetada.

5. Puudub heli optilises või HDMI(ARC) režiimis.

- Kontrolli, kas soundbar ja väline seade on ühendatud õigesti.
- Veendu, et teler vastab HDMI(ARC) standardile ja on ühendatud õigesse porti. Seadista teler HDMI ARC(CEC) peale.
- Sea teleri audioväljund PCM formaati.

6. Subwooferi heli puudub.

- Lähtestamiseks ja soundbariga juhtmevabaks paarimiseks vajuta ning hoiu subwooferi tagapaneelil paiknevat automaatse paarimise WPS nuppu.
- Lülita soundbar ja subwoofer välja ning uuesti sisse ja paari seejärel seade kooskõlas käesoleva juhendiga käitsi.
- Kui probleem ei kao, võta ühendust tehnilise abi keskusega.

Spetsifikatsioonid**Üldine**

Toide: AC110~240V 50/60Hz
Võimsustarbimine (töörežiimis): 192 W
Võimsustarbimine valmisoleku režiimis: < 0,5 W
RMS väljundvõimsus: 160 W (40 W x 2 + 80 W subwoofer)
Summaarne harmooniline moonutustegur: <1% (1 kHz, 1 W)
Audiosisendi tundlikkus: 800mV
Ülekanderiba: 45 Hz – 20 KHz
Teenindatavad helivormingud USB režiimis: MP3/WAV
USB mälu maksimaalne teenindatav maht: kuni 32 GB max.
Soundbari mõõtmed: 960 x 70 x 78 mm (lai. x kõrg. x süg.)
Subwooferi mõõtmed: 170 x 380 x 306 (lai. x kõrg. x süg.)

Kõlarid

Soundbari kõlarite takistus ja suurus: 4Ω *4; 2,25 tolli
Madalate toonide kõlari takistus ja suurus: 3Ω*1; 6,5 tolli

Bluetooth

Bluetooth versioon: V5.0
Tööulatus: u 10 meetrit
Ülekande sagedus: 2,402 ~ 2,480 GHz
Protokollid: A2DP/AVRCP
(Toote spetsifikatsioon võib ilma eelneva hoiatamiseta muudatustele alluda).

Tarvikud

Kaugjuhtimispult x 1 tk.
Kaugjuhtimispuldi patareid x 1 paar
Kasutusjuhend x 1 tk.
Garantiikaart x 1 tk.
Audiokaabel (3,5 mm stereo RCA-le) x 1 tk.
Kruvid seinale paigaldamiseks: ST4 * 45 mm x 2 tk. + plastikust paigaldustüüblid x 2 tk.

SVARBIOS SAUGOS INSTRUKCIJOS

**ELEKTROS SMŪGIO GRĖSMĖ
DRAUDŽIAMA ATIDARYTI**
Įspėjimas:

Kad sumažintumėte elektros smūgio riziką, draudžiama išmontuoti įrenginio dangtelį ar galinę dalį. Įrenginyje nėra komponentų skirtų vartotojui savarankiškai taisyti. Techninė priežiūra ir remontas aptarnaujami tik kvalifikuoto techninio personalo.

Grafinių simbolių paaiškinimas:


Zaibo simbolis užbaigtas rodykle lygiakraščiame trikampyje įspėja vartotoją apie neizoliuotą "pavojingą įtampą" esančią įrenginio korpusė, kuri gali pasiekti dydį sukeltą elektros smūgio pavojų.



Šauktuko ženklas lygiakraščiame trikampyje įspėja vartotoją, kad šiame punkte pateikiama svarbi informacija apie įrangos veikimą ir techninę priežiūrą dokumentuose pateikiamuose su įrenginiu.

Prašome perskaityti šias instrukcijas prieš pradėdami įrenginio naudojimą, kad susipažinti su jo funkcijomis ir naudoti jį taip, kaip numatyta. Tai užtikrins ilgalaikį įrenginio veikimą be gedimų ir jo naudojimo malonumą.

Svarbi informacija

- Privaloma išsaugoti šias naudojimo instrukcijas ir saugos informaciją būsimam naudojimui.
- Neleiskite skysčiams lašėti ar išsilieti ant įrenginio.
- Draudžiama taip pat naudoti jį drėgnose vietose, pvz. vonios kambaryje.
- Draudžiama įrengti šį įrenginį tokiose vietose:
- Vietos neapsaugotos nuo tiesioginių saulės spindulių ar šalia radiatorių.
- Dėti jį ant viršaus kitos stereofoninės įrangos, kuri išleidžia šilumą.
- Blokuojant ventiliaciją arba dulkečioje vietoje.
- Vietose, kuriose vyksta nuolatinė vibracija.
- Vietose, kur yra didelė drėgmė.
- Draudžiama dėti įrenginį arti žvakių ar atviros liepsnos.
- Įrenginys gali būti naudojamas tik šiame vadove aprašytu būdu.
- Prieš jungdami maitinimą pirmą kartą, įsitikinkite, kad srovės adapteris yra tinkamai prijungtas.
- USB atmintinė jungiami tiesiogiai arba su USB pratęsimo laidu iki 25 cm ilgio.

Dėl saugumo priežasčių, draudžiamas gaubūtų išmontavimas bei įrenginio vidaus atskleidimas. Įrenginio remontas turėtų būti aptarnaujamas kvalifikuoto techninio personalo.

Draudžiama ardyti įrenginį bei atidarinėti jo korpusą, nes jo viduje nėra jokių dalių, kurias galėtų naudotojas pataisyti. Techninė priežiūra ir remontas aptarnaujami tik kvalifikuoto techninio personalo.

SAUGOS INSTRUKCIJOS

1. Perskaitykite instrukcijas – prieš naudodami įrenginį perskaitykite visą naudojimo instrukciją ir saugos informaciją.
2. Išsaugokite instrukcijas – privaloma išsaugoti naudojimo ir valdymo instrukcijas būsimam naudojimui.
3. Laikykitės įspėjimų – privaloma laikytis visų prietaiso įspėjimų pateiktų ant įrenginio ir vadovautis naudojimo instrukcijomis.
4. Laikykitės instrukcijų – privaloma vadovautis naudojimo instrukcijomis bei nurodymais vartotojų.
5. Diegimas – nustatykite įrenginį pagal gamintojo instrukcijas.
6. Maitinimo šaltiniai – įrenginys turi būti maitinamas tik iš šaltinių, kurių parametrai nurodyti maitinimo laido žymenyse. Jei vartotojas nėra tikras, kokios energijos tipą turi namuose, turėtų susisiekti su savo įrenginio platintoju arba vietiniu elektros energijos tiekėju.
7. Maitinimo šaltinio įžeminimas arba poliarizacija – įrenginys neturi būti įžemintas. Privaloma įsitikinti, kad kištukas yra visiškai įdėtas į elektros tinklo lizdą arba pratęsimo laidą, kad išvengtų kaiščių ar kontaktų ekspozicijos. Kai kuriose įrenginio versijose gali būti polarizuotas kintamosios srovės maitinimo kaiščių (su vienu platesniu kaiščiu). Šis kištukas gali būti įjungtas į elektros tinklo lizdą tik vienu būdu. Tai apsaugos funkcija. Jei negalite įkišti kištuko į lizdą, pabandykite jį apsukti. Jei kištukas vis dar netelpa į lizdą, elektrikas turėtų jį pakeisti. Draudžiama nuimti apsaugos priemonės nuo polarizuoto kištuko. Jeigu naudojamas pratęsimo laidas ar maitinimo laidas kitokie nei pateikti kartu su įrenginiu, jie turėtų turėti tinkamus kištukus ir saugos sertifikatus reikalaujamus tam tikroje šalyje.
8. Maitinimo laido apsaugos priemonės – maitinimo kabeliai turi būti nuvesti taip, kad po juos negalėtų vaikščioti, jų prispausti ar prikišti padėtais objektais. Atkreipkite ypatingą dėmesį į kištukus, maitinimo lizdus ir vietas, kuriose laidai išvesti iš įrenginio.
9. Perkrovimas – draudžiama perkrauti sieninius lizdus, pratęsimo laidus ir elektros skirstytuvus, nes tai gali sukelti gaisrą arba elektros smūgį.
10. Vėdinimas – įrenginys turi būti tinkamai vėdinamas. Draudžiama dėti įrenginį ant lovos, sofos ar ant panašių paviršių. Draudžiama pridengti įrenginį staltiesėmis, servetėlėmis, laikraščiais ir pan.
11. Šiluma – nedėkite įrenginio arti šilumos šaltinių, tokių kaip šildytuvai, radiatoriai, krosnys ar kiti prietaisai (įskaitant stipriklus), kurie gamina šilumą. Nedėkite ant įrenginio uždegtų žvakių ar kitokių atviros ugnies šaltinių.
12. Vanduo ir drėgmė – norėdami sumažinti gaisro ar elektros smūgio pavojų, saugokite įrenginį nuo tiesioginio lietaus, vandens ir drėgmės poveikio, tokio kaip pvz. saunoje ar vonioje. Nenaudokite šio įrenginio šalia vandens, pavyzdžiui, prie vonios, kriauklės, virtuvės ar kubelio, šlapiame rūsyje arba prie baseino (ar panašiose vietose).
13. Objektai ir skysčiai įrenginyje – draudžiama kišti bet kokius daiktus per įrenginio angas, nes jie gali liestis su pavojingomis įtampomis taškais ir komponentais, dėl ko gali kilti gaisras arba įvykti elektros smūgis. Griežtai draudžiama išpilti bet kokius skysčius ant įrenginio paviršiaus. Draudžiama dėti ant įrenginio viršaus objektus, kuriuose yra skysčių.

14. Valymas – prieš valydamis visada išjunkite įrenginį iš elektros tinklo lizdo. Dulkes aplink garsiakalbį galima nuvalyti sausu skudurėliu. Jei valymui naudojamas aerosolis, nepartartina kreipti purškimo srauto tiesiai į prietaisą, bet ant skudurėlio. Būkite atsargūs, kad nesugadintumėte pavaro šaltinį.
15. Papildoma įranga – draudžiama naudoti priedus, kurie nėra patvirtinti gamintojo, nes jie gali kelti pavojų.
16. Priedai – draudžiama statyti įrenginį ant nestabilius vežimėlio, stovo, trikojo, atramos ar stalo. Prietaisas gali apsversti ir susigadinti, bei sunkiai sužeisti vaiką ar suaugusį asmenį. Privaloma naudoti tik gamintojo nurodytus vežimėlius, stovus, trikojus, atramas ar stalus arba paruošamus kartu su įrenginiu. Įrenginio surinkimą privaloma atlikti pagal gamintojo instrukcijas naudojant gamintojo rekomenduojamą surinkimo komplektą.
17. Prietaiso perkėlimas – ant vežimėlio padėti įrenginį būtina stumti labai atsargiai. Staigus stabdymas, per didelė jėga arba netolygūs paviršiai gali sukelti vežimėlio išsivertimą kartu su įrenginiu.
18. Įrenginio nenaudojimo laikas – atjunkite maitinimo laidą nuo elektros lizdo audros su žaibais metu arba jeigu įrenginys nebus naudojamas ilgą laiką.
19. Techninis aptarnavimas – draudžiama savarankiškai bandyti asmeniškai naršyti įrenginį. Dangčio atidarymas gali sukelti kontaktą su pavojinga įtampa ir sukelti vartotojui kitus pavojus. Techninė priežiūra ir remontas aptarnaujami tik kvalifikuoto techninio personalo.
20. Kai įrenginys nenaudojamas, atjunkite jo maitinimo kištuką nuo elektros lizdo. Kai prietaisas prijungtas prie maitinimo šaltinio, jis veikia budėjimo režime ir nėra visiškai išjungtas.
21. Atsarginės dalys – keičiant dalis, įsitikinkite, kad techninės priežiūros darbuotojas panaudojo gamintojo rekomenduotas atsargines dalis arba kad dalys yra identiškos originalioms dalims. Nepatvirtintų dalių panaudojimas sukelia gaisro, elektros smūgio pavojų ar kitus pavojus.
22. Pagrindiniai saugikliai – kad prietaisas būtų nuolat apsaugotas nuo gaisro, naudokite tinkamo tipo ir parametrų saugiklius. Saugiklių parametrai tam tikrame įtampos diapazone yra pažymėti ant įrenginio.
23. Draudžiama didinti garsumą klausydamis nedidelio garsumo kūrinių dalies arba nesant įvesties audio signalui. Kitaip garsiakalbis gali sugesti jei signalo stiprumas sparčiai padidėja.
24. Vienintelis būdas visiškai atjungti įrenginį nuo maitinimo šaltinio tai ištraukti maitinimo laidą iš elektros srovės lizdo arba iš įrenginio. Naudojant įrenginį, visada turi būti prieinamas elektros tinklo lizdas arba maitinimo laido įėjimas į įrenginį.
25. Įrenginys turi būti dedamas šalia maitinimo tinklo lizdo arba pratęsimo laido taip, kad jis visada būtų prieinamas.
26. Didžiausia įrenginio aplinkos temperatūra tai 35°C.
27. Patarimai dėl elektrostatinių iškrovų – jei prietaiso veiksmingumas yra veikiamas elektrostatinių iškrovimų, išjunkite jį ir vėl įjunkite arba perkelkite įrenginį į kitą vietą.
28. Baterija
 - a. Baterijos negali būti veikiamos per didelės temperatūros, pavyzdžiui, saulės spindulių, ugnies ir t.
 - b. Išmesdami baterijas, atkreipkite dėmesį į aplinkosaugos aspektus.
 - c. Įspėjimas dėl baterijų naudojimo: norėdami išvengti baterijų nutekėjimo, dėl kurio galite sužaloti savo kūną ar sugadinti įrenginį:
 - Įdėdami bateriją atkreipkite dėmesį į jos poliarizaciją (+ ir -).
 - Nenaudokite skirtingų baterijų tuo pačiu laiku – senų ir naujų, standartinių ir šarminių baterijų ir kt.
 - Ilgesnį laiką nesinaudojant įrenginiu, išimkite iš jo baterijas.

ĮSPĖJIMAS

Įrenginiu neturėtų naudotis asmenys (įskaitant vaikus), turintys mažesnes fizines, juslines ar psichines galimybes, ir asmenys, neturintys pakankamai žinių ir patirties, jei jie nėra prižiūrimi asmenų atsakingų už jų saugą, ir nebuvo jiems įnurodyta, kaip saugiai naudoti įrenginį. Suaugusių asmenų buvimas reikalingas, jei vaikai naudoja prietaisą; tai užtikrins saugų įrenginio naudojimą.

1. Niekada nepalikite veikiančio įrenginio be priežiūros. Išjunkite prietaisą, kai jis nenaudojamas, net trumpą laiką.
2. Prietaiso negalima valdyti per išorinį laikrodį su sinchronizavimo grandinėmis arba per atskirą nuotolinio valdymo sistemą.
3. Norėdami išvengti pavojaus maitinimo laido sužalojimo atveju, jį pakeisti turėtų gamintojas, įgaliotas aptarnavimo centras ar kitas kvalifikuotas asmuo.
4. Prieš pradėdant įrenginio naudojimą patikrinkite, ar jo įtampa atitinka vietos maitinimo įtampą.
5. Draudžiama uždengti prietaiso ventiliacijos angas, pvz. laikraščiais, staltiese, užuolaidomis ir pan. Įsitikinkite, kad virš įrenginio yra ne mažiau kaip 20 cm laisvos vietos ir bent 5 cm iš kiekvienos jo pusės.
6. Neleiskite, kad ant įrenginio nutekėtų ar išsilietų skystis, be to, nedėkite ant jo pripildytų skysčiais objektų, tokių kaip vazos.
7. Norėdami išvengti gaisro ar elektros smūgio, apsaugokite prietaisą nuo karštų vietų, lietaus, drėgmės ir dulkių poveikio.
8. Draudžiama statyti įrenginį arti bent kokių vandens šaltinių, pvz. čiupų, vonių, skalbimo mašinų ar plaukiojimo baseinų. Įrenginį dėkite ant lygaus ir stabilaus paviršiaus.
9. Saugokite įrenginį nuo stipraus magnetinio lauko.
10. Draudžiama statyti įrenginį tiesiai ant stiprintuvo ar AV imtuvo.
11. Draudžiama statyti įrenginį drėgnoje vietoje, nes drėgmė neigiamai veikia elektrinius komponentus.
12. Kai įrenginys atnešamas iš šaltos į šiltą vietą arba į drėgną vietą, ant objektyvo, esančio grotuvo viduje, gali įvykti drėgmės kondensacija. Tokiu atveju įrenginys dirbs netinkamai. Palikite įrenginį maždaug vienai valandai, kad drėgmė išgaruotų.
13. Draudžiama valyti įrenginį cheminiais tirpikliais, nes jie gali pažeisti dengiamąjį laką. Prietaisą valykite švariu, sausu arba šiek tiek drėgnu skudurėliu.
14. Ištraukdami kištuką iš sieninio lizdo, visada traukite už kištuko, niekadus už maitinimo laido.
15. Jeigu įjungtas įrenginys naudojamas šalia įjungto televizoriaus, jis gali sukelti vaizdo iškraipymą linijos ekrane pavidalu. Tai priklauso nuo TV transliacijos bangų juostos. Tai nereiškia, kad įrenginys arba televizorius yra sutrikę. Jei matote tokias linijas, atitolinkite įrenginį nuo televizoriaus.
16. Maitinimo kištukas naudojamas maitinimo įtampos atjungimui ir visada turėtų būti prieinamas.
17. Norėdami išvengti galimo klausos praradimo, ilgai neklausykite garsios muzikos.



DĖMESIO



Deklaracija

Šiuo Blaupunkt Competence Center 2N-Everpol Sp. z o.o. deklaruoja, kad šis įrenginys atitinka Direktyvos 2014/53 / ES reikalavimus ir kitas atitinkamas nuostatas. Visą atitiktą deklaraciją galite rasti interneto svetainėje www.blaupunkt.com gaminio skyriuje.

Atsakingas subjektas 2N-Everpol Sp. Z o.o.

Puławska 403A, 02-801 Warszawa, Polska

Telefonas: +48 22 331 99 59, e. paštas: info@everpol.pl



Produktas pagamintas iš aukštos kokybės medžiagų ir komponentų, kuriuos galima perdirbti ir pakartotinai naudoti.



Jei ant jūsų įrenginio randasi išbrauktas šiukšliadėžės žymeklis, tai reiškia, kad gaminį reglamentuoja Europos direktyvos 2012/19 /ES nuostatos. Privaloma susipažinti su vietos elektros ir elektroninių atliekų surinkimo sistemos reikalavimais. Privaloma laikytis vietinių taisyklių. Draudžiama išmesti šį įrenginį kartu su įprastomis buitinėmis atliekomis. Tinkamas senjojo produkto pašalinimas užtikrins galimų neigiamų pasekmių aplinkai ir žmonių sveikatai prevenciją.



Šiame įrenginyje yra baterijos, kurioms taikoma Europos direktyva 2006/66/EC. Baterijas draudžiama išmesti kartu su buitinėmis atliekomis. Privaloma susipažinti su vietos atskirų medžiagų rinkimo reglamentus, nes dėl teisingo šalinimo bus išvengta galimų neigiamų pasekmių aplinkai ir žmonių sveikatai.

Informacija apie aplinkos apsaugą

Pakuotėje yra tik būtini elementai. Buvo imtasi visų pastangų, kad būtų galima lengvai atskirti tris pakuotės sudedamąsias dalis: kartoną (dėžę), polistirolo putplastį (apsauginė dangą) ir polietileną (krepšeliai, apsauginis lakštas). Prietaisas pagamintas iš medžiagų, kurios gali būti perdirbamos ir pakartotinai panaudotos, kai jas išmontuoja specializuota įmonė. Privaloma laikytis vietinių pakavimo medžiagų, sunaudotų baterijų ir nereikalingų įrenginių šalinimo taisyklių. Medžiagų įrašymui ir atkūrimui gali reikėti sutikimo. Žr. autorių teisių ir atlikėjų/artistų teisių įstatymą.

Pastaba apie ERP2 (su energija susijusių įrangą)

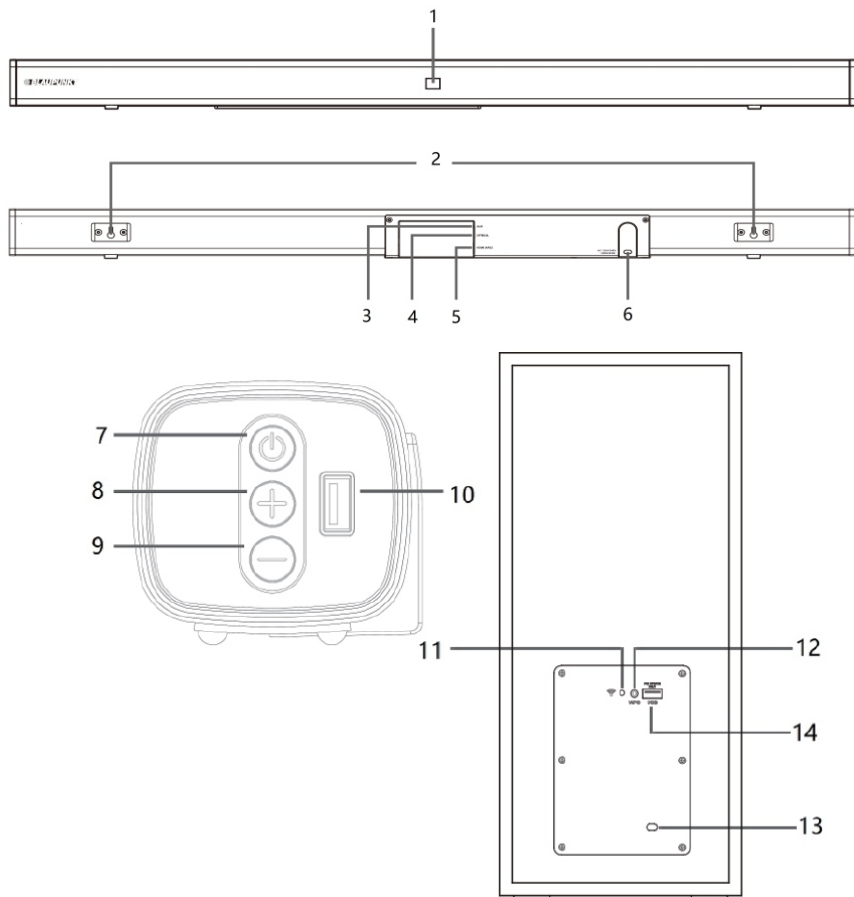
Šis ekologinio projektavimo įrenginys atitinka Komisijos reglamento (EB) Nr. 1275/2008, kuriuo įgyvendinama Direktyva 2009/125/EB dėl nenaudojamų ir budėjimo režimo elektroninių prietaisų energijos vartojimo biure ir buities reikmėms, 2 etapui.



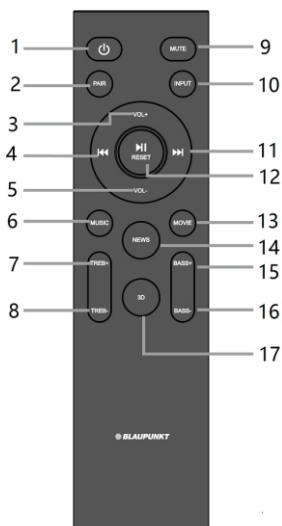
Bluetooth® prekės ženklai ir logotipai priklauso įmonei Bluetooth SIG, Inc. JAV. Šių ženklų ir logotipų naudojimas pagal licenciją. Kiti prekių ženklai ir prekių pavadinimai priklauso atitinkamiems savininkams.

Dėkojame, kad pasirinkote mūsų modelį. Atidžiai perskaitykite šią instrukciją prieš pradėdami naudotis. Prašome išsaugoti šią instrukciją, kad galėtumėte ja vadovautis ir ateityje.

Valdymo elementų išdėstymas



- 1 – Ekranas (BT = „Bluetooth“, OP = optinė įvestis, Hd = HDMI, US = USB, AU = AUX)
- 2 – Tvirtinimo laikikliai 3 – AUX įvestis 4 – Optinė įvestis 5 – HDMI (ARC) lizdas
- 6 – Kintamosios srovės (AC) garso juostos maitinimo lizdas: AC 110/240V ~ 50/60 Hz
- 7 – Įjungimo / budėjimo režimo mygtukas 8 – Garsumo didinimo mygtukas
- 9 – Garsumo mažinimo mygtukas 10 – USB prievadas atkūrimui
- 11 – LED ryšio būsenos indikatorius 12 – WPS automatinės sąsajos mygtukas
- 13 – AC žemų dažnių garsiakalbio maitinimo lizdas: AC 110/240v ~ 50/60HZ
- 14 – USB prievadas techninės priežiūros tikslais

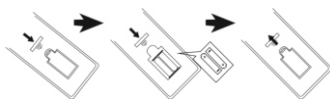


Nuotolinio valdymo pultelis:

- 1 – Maitinimo mygtukas:** paspauskite jį, kad įjungtumėte / išjungtumėte prietaisą.
- 2 – Poravimo mygtukas:** Palaikykite paspaudę (3 sekundes), kad atjungtumėte dabartinį „Bluetooth“ prietaisą, įjungtumėte budėjimo režimą ir galėtumėte susieti su kitais įrenginiais.
- 3,5 – Mygtukas Garsumas +/-:** paspauskite jį, kad nustatytumėte garsumo lygį.
- 4,11 – Mygtukas Ankstesnis / kitas:** paspauskite jį, norėdami perjungti ankstesnį / kitą kūrinį „Bluetooth“ ar USB atkūrimo režimu.
- 6 – Mygtukas Muzika/13 – Mygtukas Filmas/14 – Mygtukas Žinios/17 – Mygtukas 3D:** Paspauskite pasirinktą mygtuką, kad pasirinktumėte tinkamą ekvalaizerio režimą
- 7,8 – Aukštų tonų +/- mygtukas:** paspauskite, kad sureguliuotumėte aukštų tonų lygį.
- 9 – Nutildymo mygtukas:** paspauskite jį, kad nutildytumėte prietaisą, dar kartą paspauskite, kad sugrąžintumėte garsą.
- 10 – Garso šaltinio mygtukas:** paspauskite jį, norėdami perjungti atkūrimo režimą tarp „Bluetooth“ / optinės įvesties / HDMI / USB / AUX.
- 12 – Paleidimo / pauzės, atkūrimo mygtukas:** paspauskite, norėdami paleisti ar sustabdyti muziką „Bluetooth“ ar USB režimu; Palaikykite paspaudę (3 sekundes), kad iš naujo nustatytumėte prietaisą, taip pat ir garsumą, ekvalaizerį ir kt.
- 15, 16 – Žemųjų dažnių +/- mygtukas:** paspauskite, kad sureguliuotumėte žemųjų dažnių lygį.

Maitinimo elementų įdėjimas į nuotolinio valdymo pultą

Atidarykite elementų skyrelį ir įdėkite 2 AAA elementus (pridedamos) į skyrelį. Įsitikinkite, kad elementų poliškumas atitinka teigiamą ir neigiamą simbolius, nurodytus skyrelio viduje. Po to uždarykite elementų skyrelį.



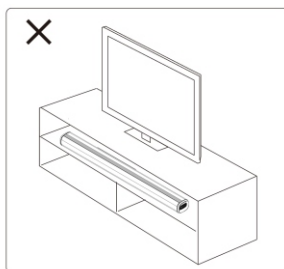
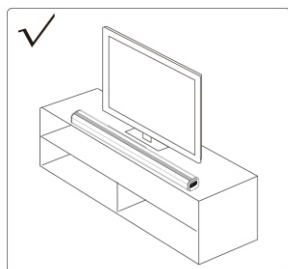
Pastabos

- a. Geriausias nuotolinio valdymo pulto veikimo atstumas yra 5 metrai, be jokių kliūčių tarp nuotolinio valdymo pulto ir garso sistemos. Naudodami nuotolinį valdymo pultą, nukreipkite jį į nuotolinio valdymo pulto jutiklį, esantį garso sistemos priekyje.
- b. Išsikrovus elementams, nuotolinio valdymo pulto jautrumas sumažės. Tada juos būtina pakeisti naujais.
- c. Išimkite elementus, jei nuotolinio valdymo pultas nenaudojamas ilgą laiką.
- d. Elementai turi būti šalinami aplinkai nekenksmingu būdu. Norėdami gauti daugiau informacijos, susipažinkite su vietos valdžios institucijų reikalavimais.

Garso sistemos tvirtinimas

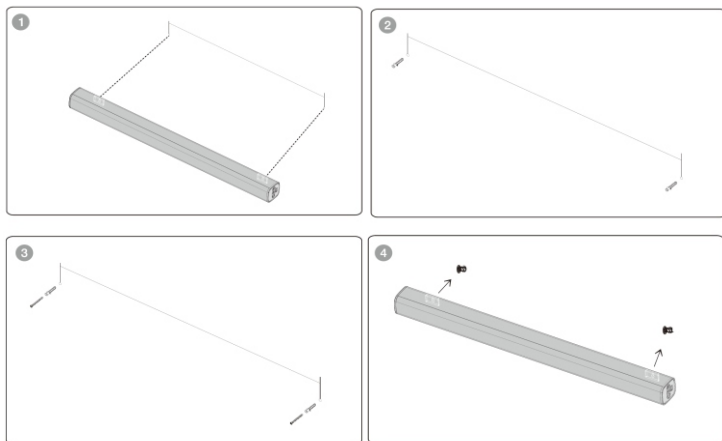
Geriausias darbinis atstumas tarp garso sistemos ir belaidžio žemų dažnių garsiakalbio yra 6 metrai (maksimalus darbinis diapazonas yra 10 metrų). Nestatykite žemų dažnių garsiakalbio per toli nuo garso sistemos. Garso sistemą galima padėti ant lygaus paviršiaus arba pritvirtinti prie sienos toliau nurodytu būdu.

- 1. Padėkite garso sistemą ant lygaus paviršiaus:** Padėkite horizontaliai ant lygaus paviršiaus, pvz., televizoriaus ar spintos, ir sulygiuokite su televizoriaus ekranu. Palikite šiek tiek vietos tarp garsiakalbio ir sienos. Nedėkite į spintą ar sieninę lentyną. Norėdami gauti geriausią garso kokybę ir pakankamą oro srautą aplink garso sistemą, vadovaukitės šioje instrukcijoje pateiktais nurodymais.



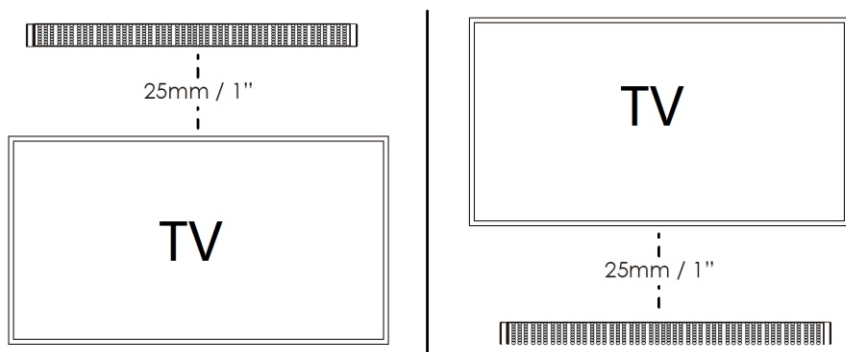
2. Tvirtinimas prie sienos

- Laikydami garso sistemą, pieštuku ant sienos pasižymėkite 2 taškus tokiu pat atstumu kaip ir skylutės garso sistemos tvirtinimo laikiklyje. Tada išgręžkite tvirtinimo angas.
- Įdėkite plastikinius kaiščius į sieną ir prisukite varžtus prie plastikinio spaustuko, nepriveržkite iki galo, įsitikinkite, kad palikote šiek tiek vietos.
- Tinkamai priveržę varžtus, pakabinkite garso sistemą užkabindami laikiklį ant išsikišusių varžtų.



Įspėjimas. Jei nesate tikri dėl tinkamo ir saugaus garso sistemos kabavimo ant sienos, kreipkitės į patyrusį ir kvalifikuotą specialistą.

Garsiakalbį sumontuokite ant sustiprinto sienos paviršiaus. Jei sienos plastikinės, dėl saugumo garsiakalbį rekomenduojama prisukti prie sienos stulpelių. Norėdami pasiekti optimalų našumą, išlaikykite mažiausiai 25 mm (1 colio) atstumą tarp garso sistemos ir televizoriaus.

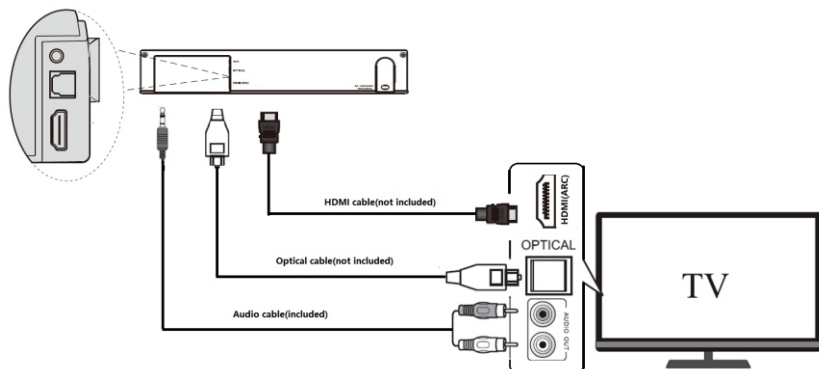


Laidinis garso ryšys ir nustatymai

Prieš įjungdami garso sistemą, pirmiausia prijunkite prietaisą. Garso sistemoje yra skaitmeninės (optinės ir HDMI (ARC)) ir analoginės (AUX IN) įvestys skirtingiems šaltiniams. Priklausomai nuo turimo įrenginio, galite vadovautis toliau pateiktomis prijungimo instrukcijomis.

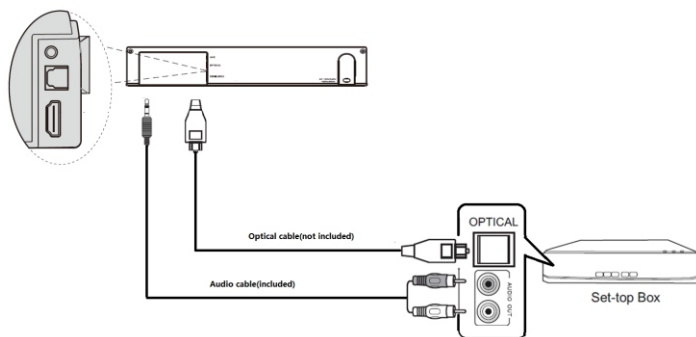
1. Garso sistemos prijungimas prie TV išvesčių.

Nuimkite apsauginį dangtelį nuo OPTICAL lizdo, tada naudokite optinį laidą (nepriedamas), kad prijungtumėte televizoriaus OPTICAL OUT išvesties lizdą prie garso juostos OPTICAL įvesties lizdo. Prijungimas per HDMI (ARC)/AUX jungtį atliekamas tokiu pat būdu.



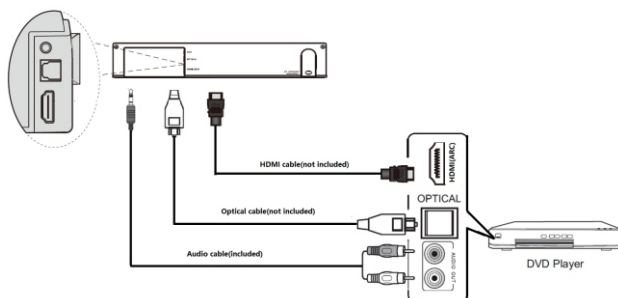
2. Garso sistemos prijungimas prie TV dekoderio.

Patikrinkite, kokias išvestis turi jūsų dekoderis, tada naudodami atitinkamą laidą prijunkite dekoderį prie garso juostos. Kad sistema veiktų tinkamai, pakanka prijungti su vieno tipo jungtimi. Žiūrėkite žemiau esantį paveikslėlį.



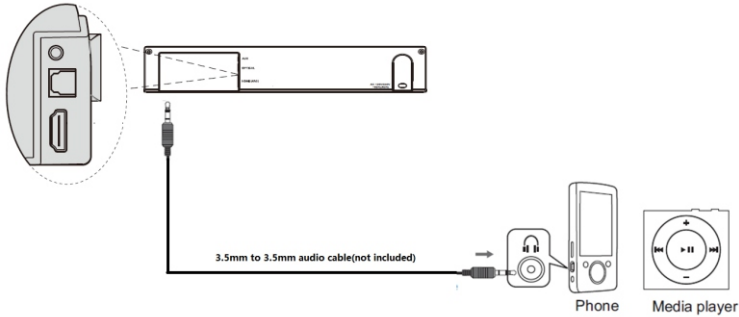
3. Garso sistemos prijungimas prie DVD arba „Blue-ray“ DVD grotuvo.

Patikrinkite, kokias išvestis turi Jūsų DVD / „Blue-ray“ DVD grotuvas, tada naudodami tinkamą laidą prijunkite grotuvą prie garso sistemos. Kad sistema veiktų tinkamai, pakanka prijungti su vieno tipo jungtimi. Žiūrėkite žemiau esantį paveikslėlį:



4. Garso sistemos prijungimas prie MP3 grotuvo

Garso sistemoje yra viena MP3 Link (AUX) įvestis, prie kurios galima prijungti bet kurį MP3 grotuvą. Naudokite tinkamą laidą su „mini-jack“ kištukais, kaip parodyta paveikslėlyje.

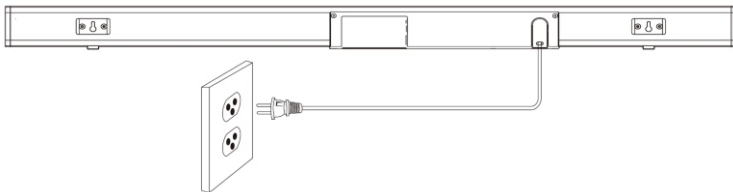


Dėmesio.

1. Jei prijungus optiniu arba HDMI laidu garso sistema neskleidžia jokio garso, įsitikinkite, kad jūsų šaltinio įrenginio (pvz., DVD grotuvo, žaidimų konsolės, televizoriaus) skaitmeninio garso išvesties nustatymai nustatyti į „PCM stereo“ arba „stereo 2.0“. Norėdami atlikti šį veiksma, žiūrėkite televizoriaus ar kito šaltinio įrenginio naudojimo instrukciją.
2. HDMI (ARC). Garso sistema palaiko HDMI ARC standartą. Jei jūsų televizorius suderinamas su HDMI ARC (išsamesnės informacijos ieškokite televizoriaus naudojimo instrukcijoje), televizijos garšą galite atkurti per garso sistemą, naudodami vieną HDMI laidą (nepriedamas). HDMI ARC jungtis ant televizoriaus gali būti pažymėta kitaip, žr. televizoriaus naudojimo instrukciją.
3. Optiniu ir HDMI režimu išvesties garšas gali būti stipresnis nei AUX IN režimu, tai yra normalu, nes skaitmeninio garso signalo lygis gali skirtis nuo analoginio signalo lygio.
4. Tinkamai surinkę ir prijungę garso sistemą, naudokite ją laikydamiesi šios naudojimo instrukcijos nurodymų.

Valdymas

Maitinimo prijungimas. Patikrinkite, ar maitinimo šaltinis atitinka galinės garso sistemos ir žemųjų dažnių garsiakalbio skydelyje nurodytą įtampą. Jei netinka, kreipkitės į savo pardavėją arba aptarnavimo centrą. Įkiškite pridėdamą kintamosios srovės AC kištuką į sieninį elektros lizdą.



Prietaiso įjungimas / išjungimas: norėdami įjungti prietaisą, spustelėkite garso sistemos maitinimo mygtuką; paspauskite jį kelis kartus, kad perjungtumėte atkūrimo šaltinį tarp „Bluetooth“ / optinės įvesties / HDMI / USB / AUX; norėdami perjungti prietaisą į budėjimo režimą, paspauskite maitinimo mygtuką ir palaikykite paspaudę (3 sekundes). Tą patį galite padaryti ir spausdami maitinimo ir garso šaltinio mygtuką nuotolinio valdymo pulte.

Jei įjungsite garso sistemą ir belaidį žemųjų dažnių garsiakalbį, prietaisai automatiškai susies per kelias sekundes. Jei ne, išbandykite rankinę sąsają, aprašytą kitame šios instrukcijos skyriuje.

„Bluetooth“ valdymas

Šis prietaisas turi „Bluetooth“ funkciją, kuri leidžia belaidžiu ryšiu atkurti muziką iš kito „Bluetooth“ įrenginio (išmaniojo telefono, planetinio kompiuterio, televizoriaus ir pan.).

1. Įjunkite prietaisą, paspauskite nuotolinio valdymo pulto garso šaltinio mygtuką kelis kartus, kad įjungtumėte „Bluetooth“ režimą. Ekране mirksės simbolis „BT“, nurodantis, kad prietaisas paruoštas susieti.
2. Įjunkite „Bluetooth“ funkciją išoriniame įrenginyje ir ieškokite įrenginių, kuriuos norite susieti (žr. išorinio įrenginio naudojimo instrukciją), tada patikrinkite prieinamus „Bluetooth“ įrenginius sąrašė. Pasirinkite „BP LS200“ sąsajai. Po sėkmingo susiejimo „Bluetooth“ simbolis nustos mirksėti ir švies nepertraukiamai garso sistemos ekране.
3. Pasirinkite ir atkurkite muziką iš išorinio „Bluetooth“ įrenginio, atitinkamai sureguliuokite garsumą ir tada garšas bus skleidžiamas iš šios garso sistemos.
4. „Bluetooth“ režimu galite atlikti tokius veiksmus: pasirinkti ankstesnį / kitą kūrinį, paleisti / pristabdyti, nutildyti ir pan., paspausdami atitinkamą nuotolinio valdymo pultelio mygtuką.

Pastabos.

- a. Dėl skirtingų konstrukcijų ir prekės ženklų, negarantuojame, kad visus „Bluetooth“ įrenginius pavyks sėkmingai susieti.
- b. Geriausias „Bluetooth“ darbinis atstumas yra 10 metrų be jokių kliūčių tarp įrenginių.
- c. Prietaisas vienu metu gali būti suporuotas ir gali veikti tik su vienu „Bluetooth“ įrenginiu.
- d. Jei „Bluetooth“ atkūrimo metu yra gaunamas skambutis, muzika bus laikinai pristabdyta ir toliau gros, kai baigsite pokalbį telefonu.

e. Ilgai spaudžiant nuotolinio valdymo pultelio sąsajos mygtuką galima nutraukti esamą „Bluetooth“ įrenginio ryšį ir pradėti susiejimą su kitu įrenginiu.

„Bluetooth“ ryšys su televizoriumi. Jei televizorius turi „Bluetooth“ funkciją, galite belaidžiu būdu prijungti jį prie garso sistemos ir atkurti garso iš televizoriaus. Televizoriaus ekrane įjunkite „Bluetooth“ funkciją ir susiejimui prieinamų prietaisų sąrašė ieškokite „BP LS200“. Norėdami gauti daugiau informacijos, žr. televizoriaus naudojimo instrukciją.

USB atkūrimo valdymas

Prietaisas turi USB atkūrimo funkciją, kuri gali iššifruoti ir atkurti muziką iš išorinės USB atminties. Prieš pradėdami veiksmą, nukopijuokite muziką MP3 formatu į USB atmintinę. Įdėkite paruoštą USB atmintinę į garso sistemą, USB režimas galimas tik sėkmingai prijungus USB atmintinę prie garso sistemos. Tada prietaisas automatiškai aptiks ir atkurs MP3 formatu išsaugotą muziką.

USB atkūrimo režimu, paspaudus atitinkamą nuotolinio valdymo pultelio mygtuką, prieinamos šios funkcijos: takelio pasirinkimas / paleidimas / pauzė / ekvalaizeris / žemųjų ir aukštųjų dažnių reguliavimas ir kt.

Pastabos.

- USB atmintinės nerekomenduojama jungti su USB ilginamuoju laidu, nes tai gali sukelti triukšmą arba garso trūkiniųjimą dėl garso duomenų praradimo perdavimo metu.
- Negarantuojama, kad bus atkurti visi MP3/WMA formatu išsaugoti failai.
- Didžiausia palaikomų USB atmintinių talpa yra iki 32 GB.
- Kai kurių USB atmintinių atkūrimas gali šiek tiek užtrukti. Atkreipiame dėmesį, kad tai nėra gedimas.

Belaidžio žemųjų dažnių garsiakalbio susiejimas su garso sistema rankiniu būdu.

Garso sistema pagal numatytuosius nustatymus, yra susieta su belaidžiu žemųjų dažnių garsiakalbiu. Jei kilo ryšio problemų, pabandykite atlikti toliau nurodytus veiksmus.

- Prijunkite garso sistemą prie maitinimo šaltinio ir įjunkite prietaisą, pereinkite prie „Bluetooth“ režimo; tada garso sistema yra susiejimo režime su žemųjų dažnių garsiakalbiu.
- Tuo tarpu prijunkite maitinimą ir įjunkite belaidį žemų dažnių garsiakalbį, mėlynas šviesos diodas lėtai mirksės galiniame skydelyje. Paspauskite ir palaikykite paspaudę (3 sekundes) žemųjų dažnių garsiakalbio galiniame skydelyje esantį mygtuką WPS AUTO PAIR. Mėlynas šviesos diodas greitai mirksės, tai reiškia, kad žemųjų dažnių garsiakalbis susietas su garso sistema.
- Po maždaug 20–30 sekundžių mėlynas žemų dažnių garsiakalbio šviesos diodas nustos mirksėti ir švies nepertaukiamai. Tai reiškia, kad garso sistema buvo sėkmingai susieta su žemų dažnių garsiakalbiu.
- Po pirmo sėkmingo susiejimo garso sistema ir žemų dažnių garsiakalbis jungsis automatiškai.
- Belaidį žemų dažnių garsiakalbį galima susieti su kita tos pačios partijos LS200SUB garso sistema. Pakartokite anksčiau aprašytą veiksmą, bet įsitikinkite, kad susiejimo metu įjungta tik norima garso sistema ir belaidis žemų dažnių garsiakalbis.

Dėmesio.

- Jei belaidis žemų dažnių garsiakalbis yra įjungtas, bet garso sistema yra išjungta arba veikia budėjimo režimu, po kelių minučių mėlynas belaidžio žemų dažnių garsiakalbio šviesos diodas ims šviesti raudonai, nes jis yra budėjimo režime.
- Naudojant LS200SUB, būtina išlaikyti tinkamą atstumą nuo kitų „Wi-Fi“/2.4G belaidžių įrenginių, kad būtų išvengta garso kokybės trūkščių, kuriuos sukelti kitas belaidis signalas.
- Didžiausias ryšio tarp garso sistemos ir belaidžio žemų dažnių garsiakalbio diapazonas yra 10 metrų atviroje erdvėje, tačiau siekiant išlaikyti geriausius garso parametrus, siūlome 6 metrų atstumą.

Problemų sprendimas

1. Garsiakalbis neįsijungia.

- Patikrinkite, ar maitinimo laidas prijungtas teisingai.

2. Nėra garso.

- Pabandykite reguliuoti garsumo lygį, patikrinkite nutildymo mygtuką ir atkūrimo šaltinį.
- Jei problema išlieka, kreipkitės į techninės priežiūros centrą, kad išspręstų problemą.

3. Iškraipytas garsas.

- Pabandykite atkurti muziką mažesniu garso lygiu.
- Patikrinkite aukštųjų ir žemųjų dažnių nustatymo būseną.
- Pabandykite sumažinti garsumą išoriniame įrenginyje, pvz., televizoriuje ir pan.

4. Trūkiniųjantis garsas „Bluetooth“ režime.

- Pabandykite pastatyti „Bluetooth“ įrenginį arčiau garso sistemos.

5. Nėra garso optiniame režime arba HDMI(ARC).

- Patikrinkite, ar tinkamai prijungta garso sistema ir išorinis įrenginys.
- Įsitikinkite, kad jūsų televizorius suderinamas su HDMI(ARC) standartu ir yra prijungtas tinkamas prievadas. Nustatykite televizorių į HDMI ARC(CEC).
- Nustatykite TV garso išvesties režimą į PCM.

6. Nėra garso iš žemųjų dažnių garsiakalbio.

- Paspauskite ir palaikykite nuspaudę WPS automatinės sąsajos mygtuką žemų dažnių garsiakalbio galiniame skydelyje, kad nustatytumėte iš naujo ir belaidžiu ryšiu susietumėte su garso sistema.
- Įjunkite ir vėl įjunkite garso sistemą ir žemųjų dažnių garsiakalbį, tada rankiniu būdu suporuokite prietaisą pagal šį vadovą.
- Jei problema išlieka, kreipkitės į techninės priežiūros centrą.

Specifikacijos**Pagrindinės**

Maitinimas: AC110~240V 50/60Hz
Energijos sąnaudos (darbo režimu) 192 W
Energijos sąnaudos (budėjimo režimu) < 0,5 W
RMS išėjimo galia 160 W (40 W x 2 + 80 W žemųjų dažnių garsiakalbis)
Bendrasis harmoninis iškraipymas < 1 % (1 kHz, 1 W)
Garso įvesties jautrumas 800 mV
Dažnių juostos plotis 45 Hz – 20 KHz
Palaikomi garso formatai USB režimu: MP3, WAV
Didžiausia palaikoma USB atmintinės talpa iki 32 GB.
Garso sistemos matmenys: 960x70x78 mm (plotis x aukštis x gylis)
Žemų dažnių garsiakalbio matmenys: 170x380x306 (plotis x aukštis x gylis)

Garsiakalbiai

Garso sistemos garsiakalbių pilnutinė varža ir dydis: 4 Ω * 4; 2,25 colio
Žemų dažnių garsiakalbio pilnutinė varža ir dydis: 3 Ω * 1; 6,5 colio

„Bluetooth“

„Bluetooth“ versija V5.0
Veikimo diapazonas – apie 10 metrų
Perdavimo dažnumas: 2,402 ~ 2,480 GHz
Protokolai: A2DP/AVRCP
(Dėmesio: produkto specifikacija gali būti keičiama be išankstinio įspėjimo).

Priedai

Nuotolinio valdymo pultas – 1 vnt.
Elementai nuotolinio valdymo pultui – 1 pora
Naudojimo instrukcija – 1 vnt.
Garantinis lapas – 1 vnt.
Garso laidas (3,5 mm RCA stereo) – 1 vnt.
Varžtai tvirtinimui prie sienos: ST4 * 45 mm x 2 vnt. + plastikiniai tvirtinimo kaiščiai x 2 vnt.

POMEMBNA POROČILA O VARNOSTI

Pozor:

Da bi zmanjšali nevarnost električnega udara, ne razstavljajte pokrova in zadnjega dela naprave. Znotraj naprave ni elementov, ki bi jih lahko uporabnik samostojno popravil. Vzdrževalna dela in popravila lahko opravljajo le usposobljeni serviserji.

Razlaga grafičnih simbolov:


Simbol strele s puščico na koncu, v enakostraničnem trikotniku opozarja uporabnika na neizolirano »nevarno napetost« v ohišju naprave. Napetost lahko doseže vrednost, ki predstavlja tveganje električnega udara.



Klicaj v enakostraničnem trikotniku opozarja uporabnika na pomembne informacije o uporabi in vzdrževanju naprave, ki jih vsebuje dokumentacija, priložena napravi.

Prosimo, da pred uporabo naprave preberete ta navodila, da bi se seznanili s funkcijami naprave in jo uporabljali skladno z namenom. S tem lahko zagotovite dolgotrajno, nemoteno in prijetno uporabo naprave.

Pomembni podatki

- Shranite ta navodila za uporabo in poročila o varnosti, ker jih boste lahko potrebovali v prihodnosti.
- Ne dovolite, da se na napravo razlije oziroma nanjo kaplja tekočina.
- Naprave ne uporabljajte v vlažnih prostorih, kot je na primer kopalnica.
- Naprave ne smete namestiti na naslednji način:
- Naprava ne sme biti izpostavljena neposrednemu vplivu sončnih žarkov oz. se ne sme nahajati v bližini grelcev.
- Naprava se ne sme postaviti na drugo stereofonsko napravo, ki oddaja toploto.
- Naprava ne sme ovirati prezračevanja oz. se ne sme nahajati v zaprašenem prostoru.
- Naprava ne sme biti izpostavljena stalnim vibracijam.
- Naprava se ne sme nahajati v prostorih z visoko vlažnostjo.
- Naprava se ne sme nahajati v bližini sveč ali odprtega ognja.
- Napravo uporabljajte le na način, opisan v teh navodilih.
- Pred prvim vklopom napajanja se je treba prepričati, da je napajalnik pravilno prikljopljen.
- USB-spomin se priklopi neposredno oz. s pomočjo USB-podaljška dolžino do 25 cm.

Zaradi varnosti ni dovoljeno razstavljanje ohišja oz. pronicanje v notranjost naprave. Napravo lahko popravi le usposobljeno servisno osebje.

Ne razstavljajte in ne odpirajte ohišja naprave, kajti noter ni delov, ki bi jih lahko popravil uporabnik. Vzdrževalna dela in popravila lahko opravljajo le usposobljeni serviserji.

POROČILA O VARNOSTI

1. Preberite navodila za uporabo – pred uporabo naprave je treba prebrati vsa navodila za uporabo in poročila o varnosti.
2. Shranite navodila za uporabo – navodila za uporabo je treba shraniti za primer kasnejše uporabe.
3. Upošteвайте opozorila – ukrepajte skladno z vsemi opozorili, ki jih vidite na napravi ter z opozorili, omenjenimi v navodilih za uporabo.
4. Sledite navodilom – ukrepajte skladno z navodili za uporabo in navseti za uporabnika.
5. Namestitev – napravo postavite skladno s proizvajalčevimi navodili.
6. Viri napajanja – napravo napajajte izključno iz virov, ki odgovarjajo parametrom, navedenim na napajalnem kablu. Če niste prepričani, kakšno napajanje imate doma, obrnite se na prodajalca naprave oz. lokalnega dobavitelja električne energije.
7. Ozemljitev in polarizacija napajanja – napravo lahko uporabljate brez ozemljitve. Prepričajte se, da je vtič v celoti nameščen v omrežni vtičnici oz. podaljšku, tako da se stiki ne vidijo. Nekatere različice naprave so lahko opremljene s polariziranim vtičem za izmenični tok (en stik je debelejši). Takšen vtič lahko vklopite v omrežno vtičnico le na en način. To je zavarovalna funkcija. Če vtiča ne morete vklopiti v vtičnico, ga poskusite obrniti. Če se vtič še vedno ne ujema z vtičnico, naj vam jo električar zamenja. Zavarovanje iz polariziranega vtiča ne smete odstranjevati. Če uporabljate podaljšek ali napajalni kabel, ki nista priložena napravi, se prepričajte, da imata ustrezne vtiče in potrdilo o varnosti, ki se zahteva v določeni državi.
8. Zavarovanje napajalnega kabla – napajalni kabel je treba namestiti na način, ki omejuje nevarnost potepanja, pritiskanja oz. naključnega razrezanja. Bodite posebej pozorni na vtiče, omrežne vtičnice in mesta, kjer kabli izhajajo iz naprave.
9. Preobremenitev – preobremenitev zidnih vtičnic, podaljškov in električnih razdelilnikov ni dovoljena, saj lahko to privede do požara ali električnega udara.
10. Prezračevanje – napravo je treba pravilno prezračevati. Ne postavite je na posteljo, kavč ali podobne površine. Ne prekrivajte je s prti, robci, revijami idr.
11. Toplota – naprave ne postavite v bližino virov toplote, kot so grelci, sevalniki, peči in druge naprave (tudi ojačevalniki), ki oddajajo toploto. Na napravo ne postavite gorečih svečk in drugih virov odprtega ognja.
12. Voda in vlaga – da bi zmanjšali tveganje požara ali električnega udara, naprave ne izpostavite neposrednemu vplivu dežja, vode in vlage, na primer ne postavite je v savni ali kopalnici. Te naprave ne smete uporabljati v bližini vode, na primer zavrni kadi, umivalnika, korita oz. škafo, v vlažni kleti oz. v bližini bazena (in podobnih mest).
13. Predmeti in tekočine v napravi – skozi odprtine v napravi ne potiskajte nobenih predmetov, saj se tisti predmeti lahko dotaknejo točk z nevarno napetostjo in s komponentami, kar lahko privede do požara oz. električnega udara. Nikakor ne razlize nobenih tekočin na površino naprave. Na napravo ne smete postaviti predmetov, ki vsebujejo tekočine.

14. Čiščenje – preden začnete s čiščenjem, napravo vedno odklopite iz omrežne vtičnice. Prah, ki je okoli zvočnika, lahko obrišete s suho krpo. Če za čiščenje uporabljate aerosol, razpršilo usmerite na krpo, ne pa neposredno na napravo. Pazite, da se ne poškodujejo pogonske enote.
15. Dodatna oprema – ne uporabljajte pripomočkov, ki jih proizvajalec ne potrdi, ker lahko predstavljajo nevarnost.
16. Pripomočki – naprave ne postavite na nestabilen voziček, stojalo, stativo, konzolo ali mizo. Naprava se lahko prevrne in poškoduje, lahko tudi hudo poškoduje otroka ali odraslo osebo. Uporabite le vozičke, stojala, stative, konzole in mize, ki jih priporoča proizvajalec oz. ki se prodajajo skupaj z napravo. Namestitvev naprave mora potekati skladno z navodili proizvajalca, ob uporabi montažnega seta, ki ga priporoča proizvajalec.
17. Prestavljanje naprave – napravo postavite na voziček in zelo previdno prestavite. Nenadna ustavitve vozička, prevelika moč oz. neravne površine lahko pripeljejo do prevrnitve vozička z napravo.
18. Obdobje mirovanja naprave – napajalni kabel je treba odklopiti iz omrežne vtičnice v primeru neviht s strelami oz. ko naprave ne boste dlje časa uporabljali.
19. Servisiranje - naprave ne smete servisirati samostojno. Po odpiranju ohišja je uporabnik izpostavljen visoki napetosti in drugi nevarnosti. Vzdrževalna dela in popravila lahko opravljajo le usposobljeni serviserji.
20. Ko naprave ne uporabljate, odklopite njen vtič iz omrežne vtičnice. Ko je naprava priključena na vir napajanja, ni nikoli popolnoma izklopljena, vendar je v stanju pripravljenosti.
21. Nadomestni deli – ob zamenjavi delov je treba preveriti, ali je serviser uporabil nadomestne dele proizvajalca oz. ali nadomestni deli ustrezajo originalnim delom. Uporaba nepotrjenih delov lahko privede do požara, električnega udara oz. drugih nevarnih razmer.
22. Glavne varovalke – da bi napravo trajno zavarovali pred požarom, uporabite varovalke ustrezne vrste in parametrov. Parametri varovalk glede napetosti so označeni na napravi.
23. Ne povečajte glasnosti ob poslušanju tihega posnetka oz. ko ni vhodnega zvočnega signala. Z nenadnim povečanjem intenzitete signala lahko poškodujete zvočnik.
24. Edini način popolnega odklopa naprave iz vira napajanja je odklop napajalnega kabla iz omrežne vtičnice oz. iz naprave. Omrežna vtičnica oz. vhod za napajalni kabel morata biti vedno dostopna med uporabo naprave.
25. Napravo je treba postaviti v bližini omrežne vtičnice oz. podaljška, na tak način, da je vtičnica vedno dostopna.
26. Maksimalna temperatura v prostoru, kje je naprava, je 35 °C.
27. Nasveti glede električnih razelektritev – če delovanje naprave motijo električne razelektritve, je treba napravo izklopiti in ponovno vklopiti oz. jo prestaviti na drugo mesto.
28. Baterija
- Baterije ne smejo biti izpostavljene vplivu prekomerne toplote, npr. sončnih žarkov, ognja idr.
 - Pri odstranjevanju baterij je treba biti posebno pozoren na okoljevarstvena vprašanja.
 - Opozorilo glede uporabe baterije: da se prepreči puščanje baterije, ki lahko privede do poškodb telesa oz. naprave:
 - Ob namestitvi baterij pazite na polarizacijo (+ in -).
 - Skupaj ne smete uporabljati novih in starih baterij, standardnih in alkalnih idr.
 - Če naprave več časa ne uporabljate, odstranite baterije.

OPOZORILO

- Naprave ne smejo uporabljati osebe (vključno z otroki) z zmanjšano fizično, senzorično ali mentalno sposobnostjo ali brez izkušenj oz. znanja, razen če so pod nadzorom osebe, ki je odgovorna za njihovo varnost, oz. če so se poučile z navodili o varni uporabi naprave. Prisotnost odraslih je obvezna, če napravo uporabljajo otroci. S tem se lahko zagotovi varna uporaba naprave.
- Vključene naprave ne smete pustiti brez nadzora! Napravo izklopite, tudi če naprava le nekaj časa počiva.
 - Naprave ne smete uporabljati preko zunanje ure s časovnim sistemom oz. preko ločenega sistema z daljinskim upravljanjem.
 - Da bi se izognili nevarnosti v primeru poškodovanja napajalnega kabla, zamenjave lahko opravi le proizvajalec, pooblaščen servisno podjetje oz. ustrezno usposobljen strokovnjak.
 - Pred začetkom uporabe naprave je treba preveriti, ali napetost naprave ustreza napetosti lokalnega električnega omrežja.
 - Prezračevalni odprtini ne prekrivajte, npr. z revijami, prti, zavesami idr. Prepričajte se, da je nad napravo ohranjenega najmanj 20 cm prostega prostora, na straneh pa vsaj 5 cm.
 - Ne dovolite, da na napravo kaplja oz. da se nanjo razlije tekočina, na napravo ne postavite predmetov s tekočino, npr. vaz.
 - Da se prepreči nastajanje požara ali nevarnost električnega udara, napravo zaščitite pred vročino, vplivom dežja, vlage in praha.
 - Naprave ne postavite v bližini katerih koli virov vode, npr. umivalnikov, kadi, pralnih strojev oz. bazenov. Napravo postavite na ravno in stabilno podlago.
 - Naprave ne izpostavite močnemu magnetnemu polju.
 - Naprave ne postavite neposredno na ojačevalnik ali sprejemnik.
 - Naprave ne postavite na vlažno mesto, ker ima vlaga negativni vpliv na električne komponente.
 - Ko napravo prestavite iz hladnega prostora v tople oz. vlažen prostor, lahko pride do kondenzacije vlage na leči znotraj predvajalnika. To lahko povzroči nepravilno delovanje naprave. Napravo pustite vklopljeno vsaj na eno uro, da vlaga izpari.
 - Naprave ne čistite s kemijskimi topili, ker se lahko na ta način poškoduje lakirana površina ohišja. Napravo obrišete s čisto, suho oz. rahlo navlaženo krpicco.
 - Med odklopom vtiča iz omrežne vtičnice je treba vedno vleči za vtič, nikoli za napajalni kabel.
 - Ko se vklopljena naprava uporablja v bližini vklopljenega TV-ja, lahko pride do motenj slike v obliki črt na zaslonu. To je odvisno od valov TV-prenosa. To ne pomeni, da naprava oz. TV ne delujeta pravilno. Če se vidijo črte, premaknite napravo stran od TV-ja.
 - Omrežni vtič se uporablja za odklop napajanja in zato mora biti vedno dostopen.
 - Da bi preprečili nevarnost izgube sluha, glasne glasbe ne poslušajte dlje časa.



POZOR



Izjava

S tem Blaupunkt Competence Center 2N-Everpol Sp. z o.o. izjavlja, da je ta naprava v skladu z zahtevami in drugimi ustreznimi določili uredbe 2014/53/EU. Celotno izjavo o skladnosti si lahko ogledate na spletni strani www.blaupunkt.com v zavihku izdelka.

Odgovorni subjekt: 2N-Everpol Sp. Z o.o.

Puławska 403A, 02-801 Warszawa, Polska

Telefon: +48 22 331 99 59, e-naslov: info@everpol.pl



Naprava je izdelana iz visokokakovostnih materialov ter komponent, ki se lahko reciklirajo in ponovno uporabijo.



Če je na napravi oznaka prekrizan zabojnik za odpadke, to pomeni, da za izdelek veljajo določila evropske smernice 2012/19/EU. Seznaniti se je treba z lokalnimi zahtevami za zbiranje električnih ter elektronskih odpadkov. Ukrepiti je treba v skladu z lokalnimi predpisi. Izdelek se ne sme odstranjevati skupaj z navadnimi odpadki. Ustrezno odstranjevanje starega izdelka pomaga izključiti morebitne negativne učinke na okolje in človekovo zdravje.



Naprava je opremljena z baterijo, ki jo določa evropska smernica 2006/66/EC. Baterija se ne sme odstranjevati skupaj z gospodinjstskimi odpadki. Treba se je seznaniti z lokalnimi predpisi za ločeno zbiranje odpadnih baterij, ker le ustrezna odstranitev preprečuje morebitne negativne učinke za okolje in človekovo zdravje.

Podatki za varovanje okolja

Komplet vsebuje samo potrebne elemente. Prizadevali smo si, da bodo vsi trije elementi embalaže lahko odstranljivi: karton (škatla), polistirenska pena (zunanja zaščita) in polietilen (vreče, zaščitna plast). Naprava je izvedena iz materialov, ki se lahko reciklirajo, ter jih lahko po demontaži s strani strokovnega podjetja ponovno uporabljamo. Upoštevati je treba lokalne predpise za odstranjevanje embalaž, porabljenih baterij ter nepotrebnih naprav.

Za zapisovanje in predvajanje je treba obvezno pridobiti soglasje. Glej Zakon o avtorskih pravicah in pravicah izvajalcev/umetnikov.

Opomba glede ERP2 (naprav, povezanih z energijo)

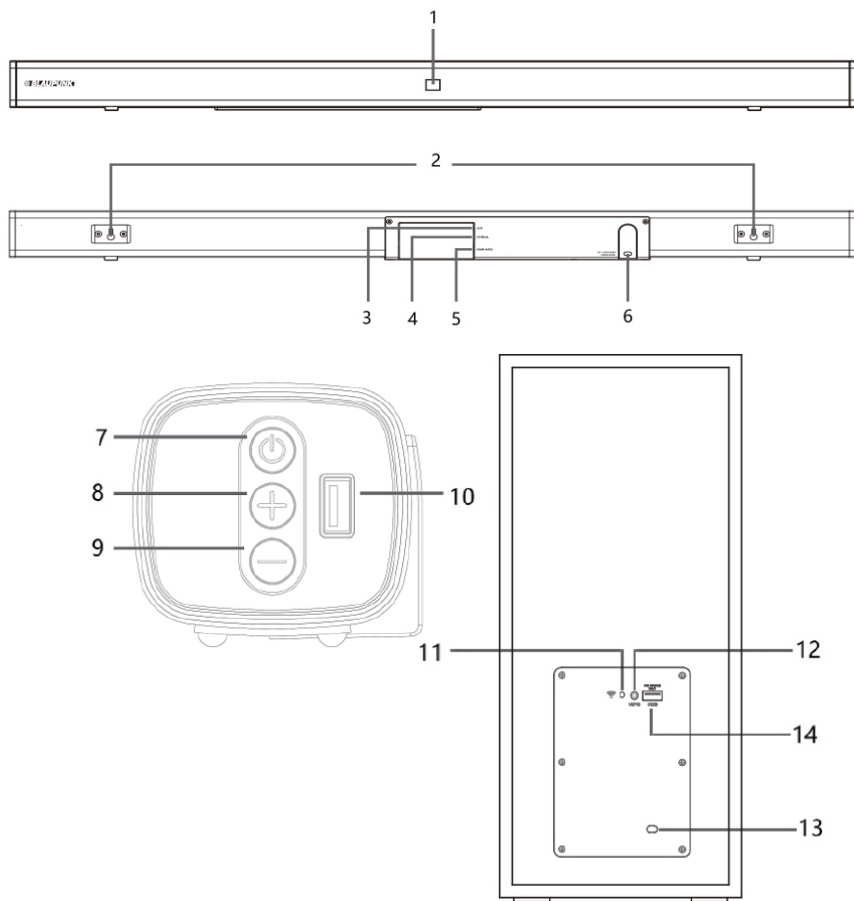
Ta naprava z ekonačrtom izpolnjuje zahteve 2. etape Uredbe Komisije (ES) št. 1275/2008 o izvajanju Uredbe 2009/125/ES glede porabe energije o vzpostavitvi okvira za določanje zahtev za primerno okoljsko zasnovane izdelke, povezane z energijo.



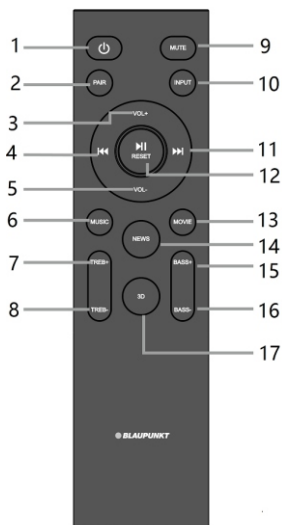
Podjetje Bluetooth SIG, Inc. USA je lastnik blagovnih znamk in logotipa Bluetooth®. Za uporabo teh znamk in logotipa se zahteva licenca. Druge znamke in trgovska imena so v lasti ustreznih lastnikov.

Zahvaljujemo se Vam za nakup našega modela. Prosimo, da pred uporabo naprave natančno preberete ta navodila in se seznanite z vsebino v njih. Shranite ta navodila za kasnejšo uporabo.

Razmeščenosť elementov upravljanja z napravo



- 1 - Zaslon (BT = Bluetooth, OP = optični vhod, Hd = HDMI, US = USB, AU = AUX);
- 2 - Pritrdilna nosilca; 3 - Vhod AUX; 4 - Optični vhod; 5 - Vtičnica HDMI (ARC);
- 6 - Vtičnica za napajanje Soundbarja z izmeničnim tokom: AC 110/240 V ~ 50/60 Hz;
- 7 - Tipka za vklop napajanja/stanje pripravljenosti; 8 - Tipka za povečanje glasnosti;
- 9 - Tipka za zmanjšanje glasnosti; 10 - Vhod USB za predvajanje;
- 11 - LED indikator stanja povezave; 12 - Tipka za samodejno seznanitev z WPS;
- 13 - Vtičnica za napajanje globokotona z izmeničnim tokom: AC 110/240V~ 50/60HZ;
- 14 - Vhod USB za servisne namene;

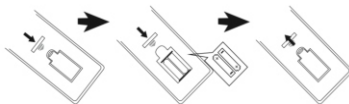


Daljinski upravljalnik:

- 1 - tipka za napajanje:** pritisnite jo za vklop/izklop naprave.
2 - tipka za seznanjanje: pritisnite jo za dlje časa (3 sekunde) za odklop trenutne naprave Bluetooth in prehod v stanje pripravljenosti, za seznanjanje z drugimi napravami.
3,5 - tipka Glasnost +/-: pritisnite jo, da prilagodite glasnost.
4,11 - tipka Prejšnja/Naslednja: pritisnite jo za prehod na prejšnjo/naslednjo skladbo v načinu predvajanja Bluetooth ali USB.
6 - tipka Glasba/13 - Tipka Film/14 - Tipka Novice/17 - Tipka 3D: Pritisnite izbrano tipko, da izberete ustrezen način korektorja zvoka (izenačevalnika)
7,8 - tipka za visoke tone +/-: pritisnite jo, da prilagodite nivo visokih tonov.
9 - tipka za izklop zvoka: pritisnite jo za utišanje zvoka naprave, ponovno jo pritisnite za povrnitev zvoka.
10 - tipka za vir zvoka: uporabljajte jo za preklapljanje med načini predvajanja Bluetooth/Optični vhod/HDMI/USB/AUX.
12 - tipka za predvajanje/premor, ponastavitev: pritisnite jo za predvajanje ali prekinitev predvajanja glasbe v načinu Bluetooth ali USB; Pritisnite za dlje časa (3 sekunde), da ponastavite napravo, vključno z glasnostjo, izenačevalnikom itd.
15,16 - nizki toni +/-: pritisnite, da nastavite raven nizkih tonov.

Namestitev baterijskih vložkov daljinskega upravljalnika

Odprite prostor za baterije in vložite vanj 2 bateriji AAA (priloženi); zagotovite, da bosta vložka vstavljena skladno s simboloma plus in minus, odtisnjenima v prostoru za baterije. Nato zaprite prostor za baterije.



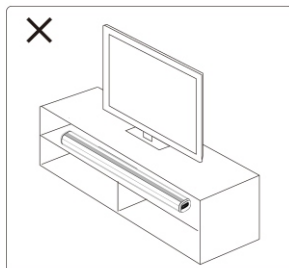
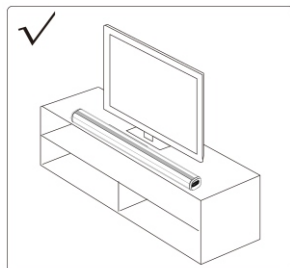
Opozorila:

- (a) Najboljša delovna razdalja za daljinski upravljalnik je 5 metrov, brez ovir med daljinskim upravljalnikom in Soundbar. Pri uporabi je treba daljinski upravljalnik usmerjati proti senzorju na sprednji strani Soundbarja.
 (b) Občutljivost daljinskega upravljalnika se zmanjša, ko se baterije izpraznejo. V takem primeru jih je treba zamenjati z novimi.
 c. Če daljinskega upravljalnika ne boste dlje časa uporabljali, je treba odstraniti baterije iz njega.
 d) Baterije odstranite iz uporabe na okolju prijazen način. Za podrobne informacije se seznanite z zahtevami lokalnih predpisov.

Namestitev Soundbarja

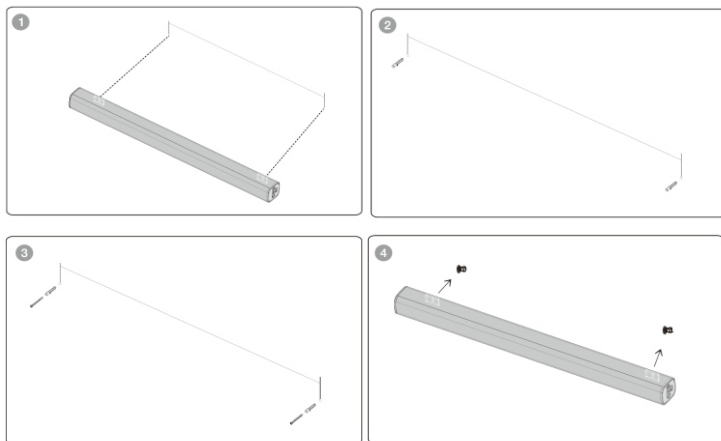
Najboljša delovna razdalja med Soundbar in brezžičnim globokotoncem je 6 metrov (največja možna delovna razdalja je 10 metrov). Ne nameščajte globokotonca predaleč od Soundbarja. Soundbar lahko namestite na ravno površino ali pritrдите na steno na naslednji način:

- 1. Namestitev Soundbarja na ravno površino:** Napravo postavite v vodoravno lego na ravni površini, kot je npr. vrhnja ploskev televizorja ali omarice, in jo namestite centralno glede na TV zaslon. Pustite nekaj prostora med zvočnikom in steno. Ne vmeščajte palice je v omarico ali med stenske police. Ravnajte skladno s temi navodili za doseg najboljše kakovosti zvoka in dobrega pretoka zraka okoli Soundbarja.



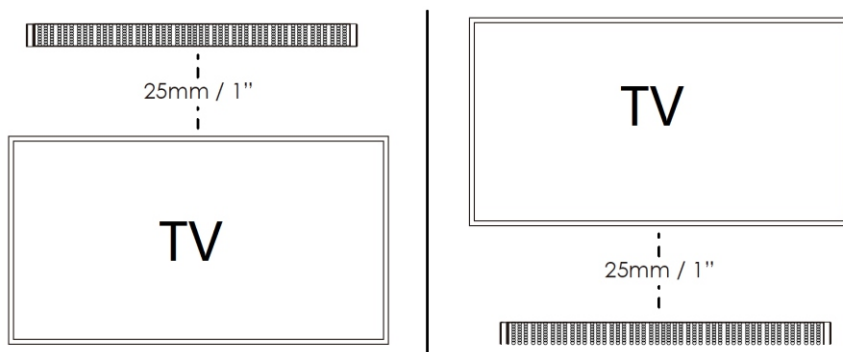
2. Pritrditev na steno:

- S pomočjo Soundbarja s svinčnikom označite 2 luknji na steni v medsebojni razdalji enaki razdalji med luknjama v stenskem nosilcu Soundbarja. Nato izvrtajte pritrtilne luknje.
- Vstavite v luknji plastična vložka in uvijte vanju vijaka ter ju privijajte, a ne privijte do konca, pustite nekaj prostora.
- Po pravilnem privitju vijakov obesite Soundbar tako, da jo z luknjama na nosilcu nataknete nanju.



Opozorilo: Če niste prepričani glede tega, kako pravilno namestiti Soundbar na steno, se obrnite po pomoč na izkušeno in usposobljeno osebo.

Zvočnik namestite na ojačan del stenske površine. V primeru sten iz umetnih materialov se iz razlogov varnosti priporoča priviti zvočnik na nosilne stebriče takih sten. Za optimalno delovanje naj bo razdalja med Soundbar in televizorjem najmanj 25 mm/1".

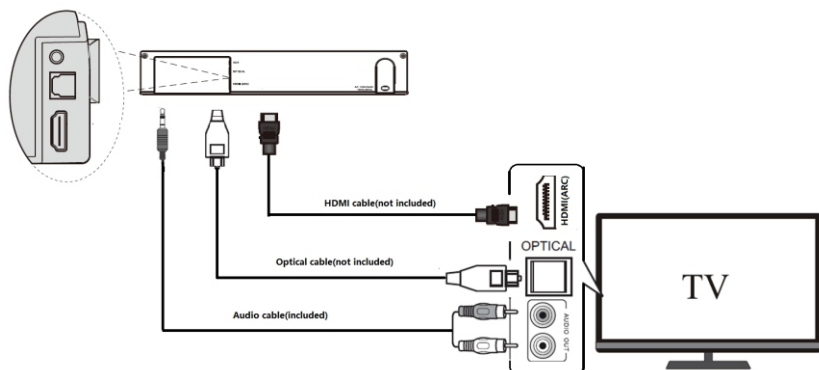


Zvočna kableska povezava in nastavitve

Pred vklopom Soundbarja je treba priključiti napravo. Soundbar ima digitalna (optični in HDMI (ARC)) in analogni (AUX IN) vhod za različne vire. Lahko se seznanite s spodnjimi navodili v zvezi s povezovanjem in jim sledite ob upoštevanju tega, katero napravo imate.

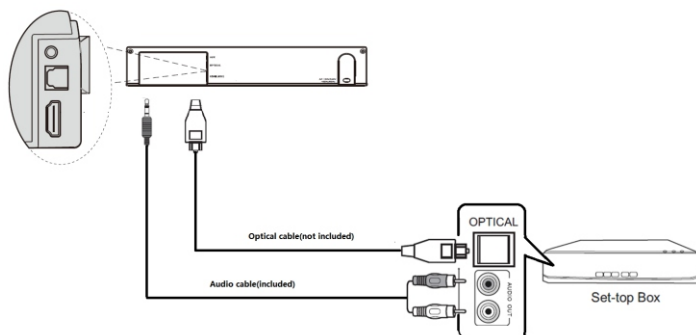
1. Povezava Soundbarja z izhodi televizorja.

Odstranite z vtičnice OPTICAL maskirni pokrovček ter nato z optičnim kablom (ni priložen) povežite izhodno vtičnico OPTICAL OUT na televizorju z vhodno vtičnico OPTICAL na Soundbarju. Povezava prek konektorja HDMI(ARC)/AUX se izvede na enak način.



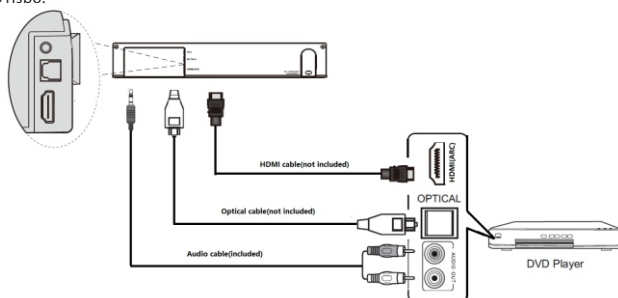
2. Povezava Soundbarja s televizijskim odkodirnikom

Preverite, kakšne izhode ima vaš odkodirnik, nato z ustreznim vodom povežite odkodirnik z Soundbar. Za pravilno delovanje je dovolj izvesti povezavo z enim tipom konektorja. Glejte spodnjo risbo.



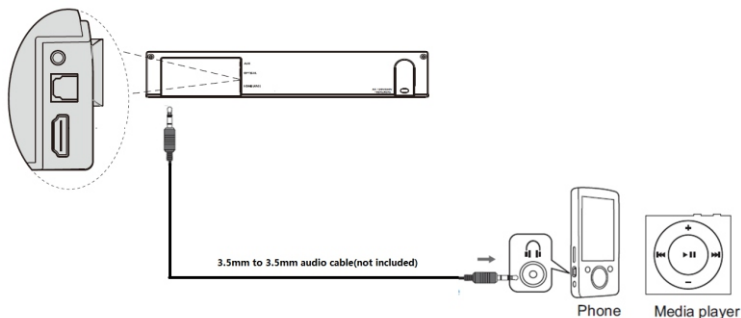
3. Povezava Soundbarja s predvajalnikom DVD ali Blue-ray DVD.

Preverite, kakšne izhode ima vaš predvajalnik DVD/Blue-ray DVD, nato z ustreznim vodom povežite predvajalnik z Soundbar. Za pravilno delovanje je dovolj izvesti povezavo z enim tipom konektorja. Glejte spodnjo risbo.



4. Povezava Soundbarja s predvajalnikom MP3

Soundbar ima en vhod MP3 Link (AUX), na katerega se lahko priklopi kateri koli predvajalnik MP3. Uporabite ustrezen vod s priključkom mini-jack, kot prikazano na spodnji sliki.

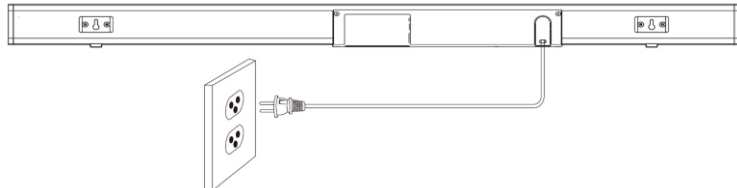


Pozor:

1. Če ob priklapljenosti z optičnim kablom ali kablom HDMI iz Soundbarja ne prihaja noben zvok, je treba preveriti, ali ni digitalni zvočni izhod izvorne naprave (npr. predvajalnika DVD, igralna konzola, televizorja) nastavljen na "PCM stereo" ali "stereo 2.0". V cilju opravitve tega glejte navodila za uporabo televizorja ali druge izvorne naprave.
2. HDMI(ARC): Soundbar podpira standard HDMI ARC. Če je televizor skladen s standardom HDMI ARC (podrobne informacije lahko najdete v navodilih za uporabo televizorja), lahko zvok iz televizorja predvajate prek Soundbarja ob uporabi enega kabla HDMI (ni priložen). Priključek HDMI ARC na televizorju je lahko označen drugače, glejte navodila za uporabo televizorja.
3. Izhodni zvok v optičnem načinu in v načinu HDMI je lahko glasnejši kot v načinu AUX IN, kar je normalno, ker se lahko raven digitalnega zvočnega signala razlikuje od ravni analognega signala.
4. Po pravilni namestitvi in priključitvi Soundbarja le-to uporabljajte skladno s temi navodili za uporabo.

Uporaba

Priklop napajanja: Preverite, ali vir napajanja ustreza specifikaciji nazivne napetosti na zadnji plošči Soundbarja in globokotona. Če ne ustreza, se posvetujte s prodajalcem ali servisnim centrom. Vtknite priloženi vtič v stensko vtičnico za napajanje z izmeničnim tokom.



Vklop/izklop naprave: na kratko pritisnite tipko za vklop na Soundbarju, da napravo vklopite; večkrat pritisnite na tipko za preklapljanje med viri predvajanja Bluetooth/optični vhod/HDMI/USB/AUX; pritisnite in držite pritisnjeno (3 sekunde) tipko za vklop, da napravo preklomite v stanje pripravljenosti. Enake funkcije lahko aktivirate tudi s pritiskanjem tipk napajanja in vira zvoka na daljinskem upravljalniku.

Če vklopite Soundbar in brezžični globokotonec, se napravi samodejno seznanita v nekaj sekundah. Če se to ne zgodi, poskusite izvesti seznanitev ročno, kot opisano kasneje v teh navodilih za uporabo.

Uporaba Bluetooth

Ta izdelek ima funkcijo Bluetooth, ki omogoča brezžično predvajanje glasbe iz druge naprave Bluetooth (na primer s pametnega telefona, tabličnega računalnika, televizorja ipd.).

1. Vključite napravo, nekajkrat pritisnite tipko vira zvoka na daljinskem upravljalniku za vstop v način Bluetooth in na zaslonu bo začel utripati simbol "BT", kar pomeni, da je naprava pripravljena na seznanjanje.
2. Vključite funkcijo Bluetooth zunanje naprave in poiščite razpoložljive naprave za seznanjanje (glejte navodila za uporabo zunanje naprave), nato na seznamu preverite razpoložljivo napravo Bluetooth. Izberite "BP LS200" za seznanitev. Po uspešni izvedbi seznanitve bo simbol Bluetooth na zaslonu Soundbarja prenehal utripati in začel neprekinjeno svetiti.
3. Izberite si in predvajajte glasbo iz zunanje naprave Bluetooth, ustrezno prilagodite glasnost in prek tega Soundbarja bo oddajal zvok.
4. V načinu Bluetooth lahko s pritiski ustreznih tipk na daljinskem upravljalniku koristite funkcije, kot so: izbor prejšnje/naslednje skladbe, predvajanje/prekinitev, utišanje ipd.

Opozorila:

- a. Ni jamstva uspešnosti seznanitve vseh naprav Bluetooth, zaradi možnih njihovih narazličnejših izvedb in znamk.
- b. Najboljša delovna razdalja Bluetooth je 10 metrov brez ovir med napravami.
- c. Naprava je lahko hkrati seznanjena in lahko istočasno deluje samo skupaj z eno napravo Bluetooth.
- d. V primeru zunanega klica tekom predvajanja Bluetooth, se predvajanje glasbe začasno prekine in nadaljuje po koncu telefonske povezave.
- e. Z dolgim pritiskom na tipko za seznanjanje na daljinskem upravljalniku lahko prekinete trenutno povezavo naprave Bluetooth in aktivirate seznanjanje z drugo napravo.

Vzpostavitev povezave Bluetooth s televizorjem: Če ima televizor funkcijo Bluetooth, se ga lahko brezžično poveže s Soundbarjem in predvaja zvok s televizorja. Vključite funkcijo Bluetooth na TV zaslonu in poiščite »BP LS200« na seznamu naprav za seznanjanje. Za podrobne informacije glejte navodila za uporabo televizorja.

Predvajanje USB

Naprava ima funkcijo predvajanja USB, ki lahko odkodira in predvaja glasbo iz zunanega pomnilnika USB. Pred začetkom tega postopka skopirajte glasbo v formatu MP3 v pomnilnik USB; vstavite pripravljeni pomnilnik USB v Soundbar, način USB je na voljo šele po uspešnem priklopu pomnilnika USB na Soundbar. Nato naprava samodejno zazna in začne predvajati glasbo, shranjeno v formatu MP3.

V načinu predvajanja USB so s pritiskom ustrezne tipke na daljinskem upravljalniku na voljo naslednje funkcije: izbor posnetka/predvajanje/premor/izenačevalnik/uravnavanje nizkih in visokih tonov ipd.

Opozorila:

- Ne priporoča se priklapljanje pomnilnika USB z uporabo podaljška USB, saj lahko to zaradi izgube zvočnih podatkov med prenosom povzroči šume ali prekinitve zvoka.
- Ni zagotovila uspešnega predvajanja vseh datotek v formatih MP3/WMA.
- Podpirani pomnilniki USB imajo lahko zmogljivost do 32 GB.
- Začetek predvajanja nekaterih pomnilnikov USB se lahko nekoliko zavleče; upoštevajte, da to ni napaka.

Ročna seznanitev brezžičnega globokotona s Soundbarjem:

Soundbar je privzeto seznanjen z brezžičnim globokotonom. V primeru težave s povezavo poskusite opraviti naslednje:

- Soundbar priključite na napajanje in vklopite napravo, preklopite v način Bluetooth; tedaj bo Soundbar v načinu seznanjanja z globokotonom.

- Medtem priključite na napajanje in vklopite brezžični globokotonec, na zadnji plošči bo počasi utripala modra LED. Pritisnite in pridržite (3 sekunde) pritisnjeno tipko WPS AUTO PAIR na zadnji plošči globokotona. Modri indikator LED bo začel hitro utripati, kar bo pomenilo, da se globokotonec seznanja s Soundbarjem.

- Po približno 20–30 sekundah modra dioda LED na globokotonu preneha utripati in začne svetiti neprekinjeno, kar bo pomenilo, da je Soundbar uspešno seznanjen z globokotonom.

- Po prvi uspešni seznanitvi se bosta Soundbar in globokotonec povezovala samodejno.

- Brezžični globokotonec je možno seznaniti z drugim Soundbarjem LS200SUB iz iste serije. Ponovite zgornji postopek, vendar se prepričajte, da sta med seznanjanjem vklopljena samo izbrani Soundbar in brezžični globokotonec.

Opozorila:

- Če je brezžični globokotonec vklopljen, Soundbar pa je izklopljena ali v stanju pripravljenosti, bo po nekaj minutah modro svetleči indikator LED brezžičnega globokotona zasvetil v rdeči barvi, ker je v stanju pripravljenosti.
- V preprečitev motenj kakovosti zvoka pri uporabi LS200SUB, ki bi jih lahko povzročil drug brezžični signal, je treba poskrbeti za ustrezno oddaljenost od druge brezžične naprave Wi-Fi /2,4G.
- Povezava med Soundbarjem in brezžičnim globokotonom je možna na razdalji do maksimalno 10 metrov na prostem, vendar predlagamo za ohranitev najboljših zvočnih parametrov razdaljo 6 metrov.

Reševanje problemov

1. Zvočnika ni možno vklopiti.

- Preverite, ali je priključitev na napajanje pravilna.

2. Ni zvoka.

- Poskusite prilagoditi glasnost, preverite tipko utišanja zvoka in vira predvajanja.

- Če s tem težave ne odpravite, se za pomoč obrnite na servisni center.

3. Popačenost zvoka.

- Poskusite predvajati glasbo z nižjo glasnostjo.

- Preverite stanje nastavitve visokih in nizkih tonov.

- Poskusite znižati glasnost na zunanji napravi, kot je npr. televizor ipd.

4. Prekinitve zvoka v načinu Bluetooth.

- Poskusite prestaviti napravo Bluetooth bližje Soundbarju.

5. Ni zvoka v optičnem načinu ali v načinu HDMI (ARC).

- Preverite, ali sta Soundbar in zunanja naprava pravilno povezana.

- Prepričajte se, da je televizor skladen s standardom HDMI (ARC) in da je priključen ustrezni port. Nastavite televizor na HDMI ARC(CEC).

- Nastavite način zvočnega izhoda televizorja v format PCM.

6. Ni zvoka iz globokotona.

- Pritisnite in držite pritisnjeno tipko za samodejno seznanjanje WPS na zadnji plošči globokotona, da ga ponastavite in brezžično seznanite z Soundbarjem.

- Izklopite in ponovno vklopite Soundbar in globokotonec, nato pa ročno seznanite napravo skladno s temi navodili za uporabo.

- Če se s tem težave ne odpravi, se obrnite na center za tehnično pomoč.

Specifikacije**Splošne**

Napajanje: AC110 ~ 240V 50/60Hz
Poraba moči (v delovnem načinu): 192 W
Poraba moči v stanju pripravljenosti: < 0,5 W
Izhodna moč RMS: 160 W (40 W x 2 + 80 W globokotonec)
Skupno harmonično popačenje: <1% (1kHz, 1W)
Očutljivost zvočnega vhoda: 800mV
Pas prenosa: 45 Hz - 20 KHz
Podpirani formati zvoka v načinu USB: MP3/WAV
Maksimalna podpirana zmogljivost pomnilnika USB: do največ 32 GB
Dimenzije Soundbarja: 960 x 70 x 78 mm (Š x V x G)
Dimenzije globokotona: 170 x 380 x 306 (Š x V x G)

Zvočniki

Impedanca in velikost zvočnikov Soundbarja: 4Ω *4; 2,25 palca
Impedanca in velikost zvočnika globokotona: 3Ω *1; 6,5 palcev

Bluetooth

Različica Bluetooth: V5.0
Delovno območje: pribl. 10 metrov
Frekvenca prenosa: 2,402 ~ 2,480 GHz
Protokoli: A2DP/AVRCP
(Opomba: specifikacija izdelka se lahko spremeni brez predhodnega obvestila).

Dodatki

Daljninski upravljalnik x 1 kos
Baterija za daljninski upravljalnik x 1 kos
Navodila za uporabo x 1 kos
Garancijski list x 1 kos
Zvočni kabel (3,5 mm stereo na RCA) x 1 kos
Vijaki za pritrditev na steno: ST4 * 45 mm x 2 kosa + plastični pritrdilni vložki x 2 kosa

Svarīgas drošības instrukcijas



Brīdinājums:

Lai samazinātu elektrošoka risku, nedrīkst demontēt ierīces vāku un tās aizmugurējo daļu. Ierīces iekšā nav elementu, ko lietotājs var patstāvīgi remontēt. Ierīces tehnisko apkopi un remontu var veikt tikai kvalificēti servisa centra darbinieki.

Grafisko simbolu paskaidrojums:



Zibens simbols ar bultīņu galā vienādmalu trijstūrī brīdina lietotāju par neizolētu "bīstamu spriegumu" ierīces korpusa iekšā, kas var sasniegt līmeni, radot elektrošoka risku.



Izsaukuma zīme vienādmalu trijstūrī brīdina lietotāju, ka šajā brīdī tiek sniegta svarīga informācija par ierīces lietošanu un tehnisko apkopi, kas ietverta ierīcei pievienotajā dokumentācijā.

Izlasiet šo instrukciju pirms ierīces lietošanas sākšanas, lai iepazītos ar ierīces funkcijām un izmantotu tās atbilstoši paredzētajam mērķim. Tas nodrošinās ilglaicīgu un nevainojamu ierīces darbību un patikamu lietošanu.

Svarīga informācija

- Saglabājiet lietošanas instrukciju un informāciju par drošību turpmākai izmantošanai.
- Nepieļaujiet šķidruma pilēšanu vai izliešanu uz ierīces. Ierīci nedrīkst arī lietot mitrās vietās, piemēram, vannas istabā.
- Šo ierīci nedrīkst uzstādīt šādās vietās:
- vietās, kas pakļautas tiešai saules staru iedarbībai, vai radiatoru tuvumā;
- novietojot to uz cita stereoaprikojuma, kas rada siltumu;
- bloķējot ventilāciju vai putekljainā vietā;
- vietās, kas pakļautas nepārtrauktām vibrācijām;
- vietās ar augstu mitruma līmeni.
- Ierīci nedrīkst uzstādīt sveču vai atklātas uguns tuvumā.
- Ierīci var lietot tikai šajā instrukcijā aprakstītajā veidā.
- Pirms ierīces pirmās ieslēgšanas reizes pārliecinieties, ka barošanas bloks ir pareizi pievienots.
- Pievienojiet USB atmiņu tiešā veidā vai izmantojot 25 cm garu USB pagarinātāju.

Drošības apsverumu nedrīkst demontēt korpusus un iekļūt ierīces iekšpusē. Ierīces remonts jāveic kvalificētam servisa centra personālam.

Neizjauciet ierīci un neatveriet tās korpusu, jo tas iekšā nav nekādu elementu, ko lietotājs var remontēt patstāvīgi. Ierīces tehnisko apkopi un remontu var veikt tikai kvalificēti servisa centra darbinieki.

DROŠĪBAS INSTRUKCIJAS

1. Izlasiet instrukcijas — pirms ierīces lietošanas sākšanas izlasiet visu lietošanas instrukciju un informāciju par drošību.

2. Saglabājiet instrukcijas — saglabājiet lietošanas instrukcijas turpmākai izmantošanai.

3. Ievērojiet brīdinājumus — ievērojiet visus brīdinājumus, kas sniegti uz ierīces, un lietošanas instrukcijas.

4. Ievērojiet instrukciju — ievērojiet lietošanas instrukciju un norādījumus lietotājam.

5. Uzstādīšana — uzstādiet ierīci atbilstoši ražotāja instrukcijām.

6. Barošanas avoti — ierīcei ir jābūt barotai tikai no avotiem ar parametriem, kas norādīti marķējumā uz barošanas kabeļa. Ja lietotājs nav pārliecināts, kāda veida barošanas avots ir viņa mājās, viņam ir jāsazinās ar ierīces pārdevēju vai vietējo elektroenerģijas piegādātāju.

7. Barošanas avota izemēšana vai polarizācija — ierīcei nav jābūt izemētai. Pārliecinieties, ka kontaktdakša ir pilnībā ievietota elektrotīkla kontaktligzdā vai pagarinātājā, lai nepieļautu kontakttapu vai kontaktu atklāšanu. Dažas ierīces versijas var būt aprīkotas ar polarizētu mainstrāvas kontaktdakšu (ar vienu platāku kontakttapu). Šo kontaktdakšu var pievienot elektrotīkla kontaktligzdai tikai vienā veidā. Tā ir aizsardzības funkcija. Ja kontaktdakšu nav iespējams ievietot kontaktligzdā, mēģiniet to apgriezti otrādi. Ja kontaktdakša joprojām neatbilst kontaktligzdai, uzdodiet tās nomainīt elektrīķim. Nenovietojiet aizsargus no polarizētās kontaktdakšas. Izmantojot pagarinātāju vai citu barošanas vadu, kas neietilpst ierīces komplektā, tiem ir jābūt atbilstošām kontaktdakšām un drošības sertifikātam, kas nepieciešams noteiktā valstī.

8. Barošanas kabeļa aizsargs — novietojiet barošanas kabeļus tā, lai nebūtu iespējams staigāt pa tiem, saspiest vai sagriezt tos ar citiem priekšmetiem. Pievērsiet īpašu uzmanību kontaktdakšām, elektrotīkla kontaktligzdām un vietām, kur kabeļi tiek izvadīti no ierīces.

9. Pārslodze — nepārslogojiet sienas kontaktligzdas, pagarinātājus un elektriskos sadalītājus, jo tas var izraisīt ugunsgrēku vai elektrošoku.

10. Ventilācija — ierīcei jābūt atbilstoši vēdinātai. Ierīci nedrīkst uzstādīt uz gultas, dīvāna vai līdzīgām virsmām. Ierīci nedrīkst aizseg ar galdautiem, salvetēm, avīzēm utt.

11. Siltums — neuzstādiet ierīci siltuma avotu, piemēram, radiatoru, sildītāju, krāšņu vai citu ierīču (tostarp pastiprinātāju), kas rada siltumu, tuvumā. Neuzstādiet aizdegta sveces un citus atklātas uguns avotus uz ierīces.

12. Ūdens un mitrums — lai samazinātu ugunsgrēka vai elektrošoka risku, nepakļaujiet ierīci tiešai lietus, ūdens un mitruma iedarbībai, piemēram, pirti vai vannas istabā. Nelietojiet šo ierīci ūdens tuvumā, piemēram, vannas, izlietnes, virtuves izlietnes vai veļas tveru tuvumā, mitrā pagrabā vai pelnbāseina tuvumā (vai līdzīgās vietās).

13. Priekšmeti un šķidrums ierīcē — neievietojiet nekādus priekšmetus cauri ierīces atverēm, jo tie var saskarties ar vietām zem bīstamā sprieguma un detaļām, kas var izraisīt ugunsgrēku vai elektrošoku. Nekādā gadījumā nedrīkst izliet nekādus šķidrumus uz ierīces virsmas. Uz ierīces augšpusē nedrīkst novietot priekšmetus, kas satur šķidrumus.

14. Tīrīšana — pirms ierices tīrīšanas vienmēr atvienojiet to no elektrotīkla kontaktligzdas. Putekļus ap skaļruni var ņemt ar sausu lupatīni. Ja tīrīšanai ir jāizmanto aerosols, nevērsiet izsmidzināmo strūklu tieši pret ierīci, bet gan uz lupatīni. Pievērsiet uzmanību tam, lai nesabojātu piedziņas vienības.

15. Papildaprīkojums — nedrīkst lietot piederumus, ko ražotājs nav apstiprinājis, jo tie var radīt risku.

16. Piederumi — ierīci nedrīkst uzstādīt uz nestabiliem ratiņiem, statīva, balsta vai galdā. Ierīce var apgāzties, sabojāties un radīt nopietnas traumas bērnam vai pieaugušajam. Izmantojiet tikai ratiņus, statīvus, balstus un galdus, ko norādījis ražotājs vai kas tiek pārdoti kopā ar ierīci. Ierices salikšana ir jāveic atbilstoši ražotāja instrukcijām, izmantojot ražotāja ieteikto montāžas komplektu.

17. Ierices pārvietošana — pārvietojiet ierīci, kas novietota uz ratiņiem, ļoti piesardzīgi. Pēkšņa apstāšanās, pārmērīgs spēks vai nelīdzsvarotība var izraisīt ratiņu ar ierices apgāšanos.

18. Ierices nelietošanas laiks — atvienojiet barošanas kabeli no elektrotīkla kontaktligzdas pērkona negaisa laikā vai ja ierīce netiks lietota ilgāku laiku.

19. Tehniskā apkope un remonts — nemēģiniet patstāvīgi veikt ierices apskati. Vāka atvēršana var izraisīt saskari ar bīstamu spriegumu un citā veidā apdraudēt lietotāju. Ierices tehnisko apkopi un remontu var veikt tikai kvalificēti servisa centra darbinieki.

20. Ja ierīce netiek lietota, atvienojiet tās kontaktkabeļus no elektrotīkla kontaktligzdas. Ja ierīce ir pievienota barošanas avotam, tā ir gaidstāves režīmā un nav pilnīgi izslēgta.

21. Rezerves daļas — nomainiet ierices daļas pret jaunām, pārliecinieties, ka servisa centra darbinieks ir izmantojis ražotāja ieteiktās rezerves daļas vai ka tās ir identiskas oriģinālajām daļām. Daļas nomaina pareizi veikt, izmantojot neapstiprinātas daļas, var izraisīt ugunsgrēku, elektrošoku vai citus riskus.

22. Galvenie drošinātāji — lai nodrošinātu nepārtrauktu ierices aizsardzību pret uguni, izmantojiet drošinātājus ar atbilstošu tipu un parametriem. Drošinātāju parametri noteiktā sprieguma diapazonā ir norādīti uz ierices.

23. Nepaaugstiniet skaļumu, klausoties dziesmas fragmentu ar zemu skaļumu vai ja nav ieejas audio signāla. Pretējā gadījumā signāla intensitātes straujā paaugstināšanās var izraisīt skaļruņa bojājumu.

24. Vienīgais veids, kā pilnībā atvienot ierīci no barošanas avota, ir atvienot barošanas kabeli no barošanas kontaktligzdas vai ierices. Elektrotīkla kontaktligzdai vai barošanas kabeļa ieejai ierīcē ir vienmēr jābūt pieejamām ierices lietošanas laikā.

25. Ierīce ir jānovieto elektrotīkla kontaktligzdas vai pagarinātāja tuvumā tā, lai tie vienmēr būtu pieejami.

26. Maksimālā temperatūra ierices apkārtņē ir 35 °C.

27. Norādījumi par elektrostatisķajām izlādēm — ja ierices darbību traucē elektrostatisķās izlādes, izslēdziet ierīci un atkārtoti ieslēdziet to vai pārvietojiet ierīci citā vietā.

28. Baterija

a. Baterijas nedrīkst pakļaut pārmērīga siltuma, piemēram, saules staru, uguns un tml. iedarbībai.

b. Utilizējot baterijas, pievērsiet uzmanību apkārtējās vides aizsardzības aspektiem.

c. Brīdinājums par bateriju lietošanu: lai novērstu baterijas noplūdi, kas var izraisīt traumas vai ierices bojājumus:

- ievietojot bateriju, ņemiet vērā tā polaritāti (+ un -);
- nedrīkst vienlaicīgi lietot dažāda veida baterijas — vecās un jaunās, standart un sārma baterijas utt.;
- izņemiet baterijas no ierices, kad tā netiek lietota ilgāku laiku.

Piezīmes par ERP2 (ar enerģiju saistītām iekārtām)

Šī ekodizaina ierīce atbilst Komisijas Regulas (EK) Nr. 1275/2008, ar ko īsteno Eiropas Parlamenta un Padomes Direktīvu 2005/32/EK iestrādātās ekodizaina prasības attiecībā uz elektrisko, elektronisko mājaisaimniecības un biroja iekārtu elektroenerģijas patēriņu gatavības un izslēgtā režīmā, 2. posma prasībām.

Pēc 30 minūtēm bez ieejas audio signāla ierīce automātiski pāriet gaidstāves režīmā. Informāciju par normālas darbības atjaunošanu var atrast lietošanas instrukcijā.

Svarīga informācija

Šī ierīce ir aprīkota ar enerģijas taupīšanas režīma funkciju: ja 15 minūšu laikā tai netiek nosūtīts ieejas signāls, ierīce automātiski pāriet gaidstāves režīmā, lai taupītu enerģiju (ERP 2 standarts). Ņemiet vērā, ka zema skaļuma līmeņa iestāšana audio signāla avotā var tikt atzīta par stāvokli "nav audio signāla": tas var ietekmēt ierices spēju uztvert signālu no ierices un izraisīt automātisku pāreju gaidstāves režīmā. Šādā gadījumā ir jāatjauno audio signāla avotā vai jāpaaugstina skaļuma līmenis audio signāla avotā (MP3 atskaņotājā u. tml.), lai atsāktu atskaņošanu. Ja problēma joprojām pastāv, sazinieties ar vietējo servisa centru.

BRĪDINĀJUMS Ierīci nedrīkst lietot personas (tostarp bērni) ar samazinātām fiziskām, maņu vai garīgām spējām un personas ar nepietiekamām zināšanām un pieredzi, ja vien viņas neatrodas personas, kas atbilst par viņu drošību, uzraudzību un nav apmācītas, kā droši lietot ierīci. Pieaugušo klātbūtnē ir nepieciešama, ja ierīci lieto bērni, lai nodrošinātu drošu ierices lietošanu.

1. Neatstājiet ierīci darbības laikā bez uzraudzības! Izslēdziet ierīci, ja tā netiek lietota, pat īsu brīdi.
2. Ierīci nedrīkst apkalpot, izmantojot ārējo taimeru vai atsevišķu sistēmu ar tālvadību.
3. Lai izvairītos no riska, kas rodas barošanas kabeļa bojājuma gadījumā, tās nomaina ir jāveic ražotājam, pilnvarotam servisa centram vai citai personai ar atbilstošu kvalifikāciju.
4. Pirms ierices lietošanas sākšanas pārliecinieties, ka tās spriegums atbilst spriegumam vietējā barošanas tīklā.
5. Neaizsedziet ierices ventilācijas atveres, piemēram, ar avīzēm, galdautu, aizkariem u. tml. Pārliecinieties, ka virs ierices ir vismaz 20 cm brīvas vietas un vismaz 5 cm katrā tās pusē.
6. Nepieļaujiet šķidruma pilēšanu vai izliešanu uz ierices un nenovietojiet uz tās priekšmetus, kas piepildīti ar šķidrumiem, piemēram, vāzes.
7. Lai izvairītos no ugunsgrēka vai elektrošoka, aizsargājiet ierīci no karstām vietām, lietus, mitruma un putekļu iedarbības.
8. Novietojiet ierīci nekādā ūdens avotā, piemēram, krānu, vannu, veļas mazgājamo mašīnu vai peldbaseinu tuvumā.
9. Uzstādiet ierīci uz līdzenas un stabilas pamatnes.
9. Nepakļaujiet ierīci spēcīga magnētiskā lauka iedarbībai.

10. Nenovietojiet ierīci tieši uz pastiprinātāja vai resīvera.
11. Nenovietojiet ierīci mitrā vietā, jo mitrums negatīvi ietekmē elektriskās detaļas.
12. Pēc ierīces pārvietošanas no aukstas siltā vietā vai mitrā vietā mitrums var kondensēties uz atskaņotāja lēcas. Šādā gadījumā ierīce nedarbosies pareizi. Atstājiet ierīci ieslēgtu uz aptuveni vienu stundu, lai mitrums iztvaikotu.
13. Ierīci nedrīkst tīrīt ar ķīmiskiem šķīdinātājiem, jo tie var sabojāt korpusa lakas pārklājumu. Noslaukiet ierīci ar tīru, sausu vai nedaudz samitrinātu lupatiņu.
14. Izvelkot kontaktdakšu no sienas kontaktligzdas, vienmēr velciet aiz kontaktdakšas, nevis aiz barošanas kabeļa.
15. Ja ieslēgta ierīce tiek lietota ieslēgta televizora tuvumā, tas var radīt attēla traucējumus liniju uz ekrāna veidā. Tas ir atkarīgs no TV pārraides viļņu joslas. Tas nenozīmē, ka ierīce vai televizors darbojas nepareizi. Ja ir redzamas šādas linijas, attāliniet ierīci no televizora.
16. Elektrotīkla kontaktdakša ir paredzēta atvienošanai no barošanas sprieguma, un tai ir vienmēr jābūt pieejamai.
17. Lai izvairītos no iespējamās dzirdes zaudēšanas, neklausieties mūziku skaļi pārāk ilgi.



PIEZĪME
Deklarācija



Ar šo uzņēmums Blaupunkt Competence Center 2N-Everpol Sp. z o.o. apliecina, ka šī ierīce atbilst Direktīvas 2014/53/ES prasībām un citiem attiecīgajiem noteikumiem. Pilnu atbilstības deklarāciju var iegūt produkta cilnē timeklajā vietnē www.blaupunkt.com.

Reģistrācijas apliecības īpašnieks: 2N-Everpol Sp. z o.o., Puławska 403A, 02-801 Warszawa, Polija, tālrunis: +48 22 331 99 59, e-pasts: info@everpol.pl



Produkts ir izgatavots no augstas kvalitātes materiāliem un sastāvdaļām, ko var nodot otrreizējai pārstrādei un izmantot atkārtoti.



Ja uz ierīces ir pārsvitrotas atkritumu tvertnes zīme, tas nozīmē, ka produktam piemēro Eiropas direktīvas 2012/19/ES prasības. Iepazīstieties ar prasībām par vietējo elektrisko un elektronisko iekārtu atkritumu savākšanas sistēmu. Rīkojieties atbilstoši vietējo tiesību aktu noteikumiem. Šo produktu nedrīkst izmest kopā ar parastiem mājāsaimniecības atkritumiem. Vecā produkta pareiza likvidēšana novērš iespējamās negatīvas sekas apkārtējai videi un cilvēku veselībai.



Ierīce ir aprīkota ar baterijām, kurām piemēro Eiropas direktīvu 2006/66/EK. Baterijas nedrīkst izmest kopā ar mājāsaimniecības atkritumiem. Iepazīstieties ar vietējo tiesību aktu noteikumiem par bateriju atsevišķu savākšanu, jo to pareiza izmantošana novērš iespējamās negatīvas sekas apkārtējai videi un cilvēku veselībai.

Informācija par apkārtējās vides aizsardzību

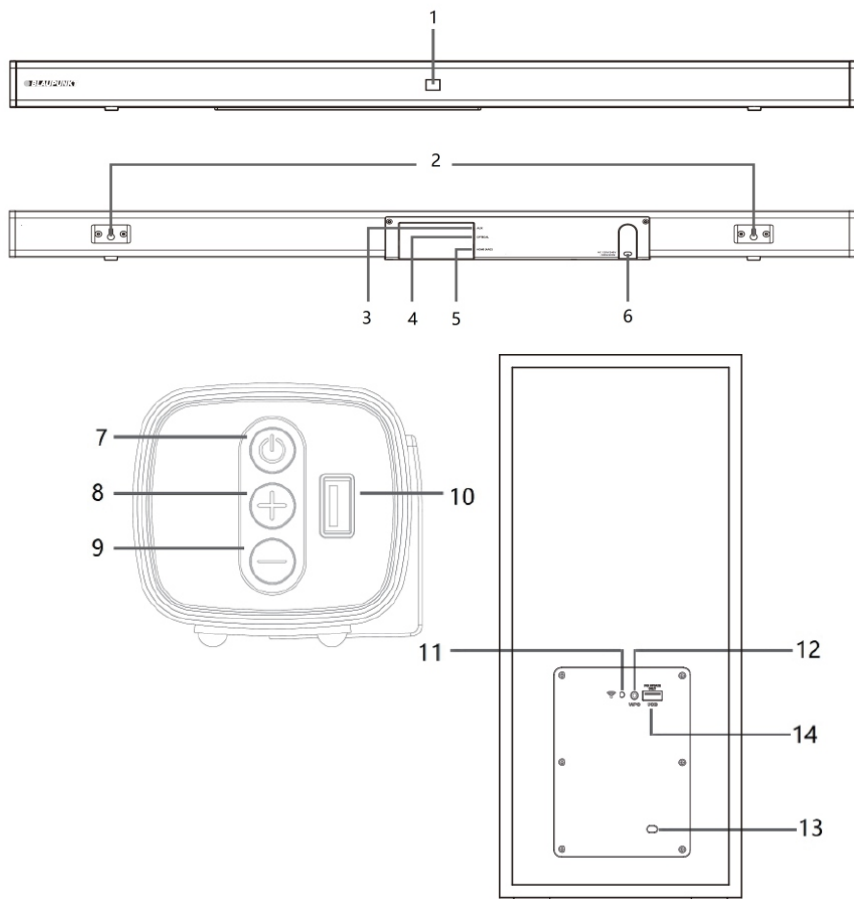
Iepakojums ietver tikai nepieciešamus elementus. Ir izdarīts viss iespējams, lai trīs materiāli, no kuriem izgatavots iepakojums, būtu viegli atdalāmi: kartons (kastīte); polistirola putas (iekšējie aizsargelementi) un polietilēns (maisiņi, aizsargplēve). Ierīce ir izgatavota no materiāliem, ko var nodot otrreizējai pārstrādei un izmantot atkārtoti pēc to demontāžas specializētā uzņēmumā. Ievērojiet vietējo tiesību aktu noteikumus par iepakojuma materiālu, nolietoto bateriju un nevajadzīgu ierīču izmantošanu. Materiālu ierakstīšanai un atskaņošanai var būt nepieciešama atļaujas iegūšana. Skatīt likumu par autortiesībām un izpildītāju/mākslinieku tiesībām.



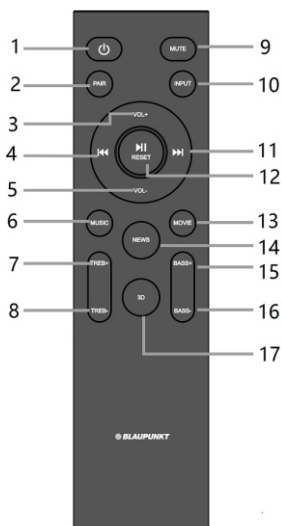
Preču zīmju un logotipa Bluetooth® īpašnieks ir uzņēmums Bluetooth SIG, Inc. USA. Šo preču zīmju un logotipu izmantošanai ir vajadzīga licence. Citas preču zīmes un tirdzniecības nosaukumi pieder to attiecīgajiem īpašniekiem.

Paldies par mūsu modeļa iegādi. Pirms iedarbiniet ierīci, uzmanīgi izlasiet šo instrukciju un iepazīstieties ar to. Saglabājiet instrukciju turpmākai izmantošanai.

Vadības elementu izvietojums



- 1 — displejs (BT = Bluetooth, OP = optiskā ieeja, Hd = HDMI, US = USB, AU = AUX);
 2 — montāžas balsteņi; 3 — AUX ieeja; 4 — optiskā ieeja; 5 — HDMI ligzda (ARC);
 6 — Audio sistēmas maiņstrāvas barošanas ligzda: AC 110/240 V~, 50/60 Hz
 7 — barošanas/gaidstāves režīma poga; 8 — skaļuma paaugstināšanas poga;
 9 — skaļuma samazināšanas poga; 10 — USB pieslēgvietas atskaņošanai;
 11 — savienojuma stāvokļa gaismas diodes indikators; 12 — WPS automātiskās savienošanas pāri poga;
 13 — zemfrekvēncu skaļruņa maiņstrāvas barošanas ligzda: AC 110/240 V~, 50/60 Hz;
 14 — USB pieslēgvietas servisa vajadzībām.

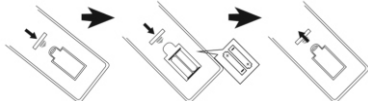


Tālvadības pults

- 1 — **Barošanas poga:** nospiediet to, lai ieslēgtu/izslēgtu ierīci.
- 2 — **Savienošanas pāri poga:** paturiet to nospiestu ilgāk (trīs sekundes), lai atvienotu pašreizējo Bluetooth ierīci un pārietu uz gatavības režīmu, lai veiktu savienošanu pāri ar citām ierīcēm.
- 3, 5 — **Poga "Skaļums +/-":** nospiediet to, lai iestatītu skaļuma līmeni.
- 4, 11 — **Poga "Iepriekšējā/Nākamā":** nospiediet to, lai pārslēgtu iepriekšējo/nākamo dziesmu Bluetooth vai USB atskaņošanas režīmā.
- 6 — **Poga "Mūzika"/13 — Poga "Filma"/14 — Poga "Jaunumi"/17 — Poga "3D":** nospiediet vēlamo pogu, lai izvēlētos atbilstošu izlīdzinātāja režīmu.
- 7, 8 — **Augsto frekvenču poga +/-:** nospiediet to, lai iestatītu augsto frekvenču līmeni.
- 9 — **Skaņas izslēgšanas poga:** nospiediet to, lai izslēgtu skaņu, nospiediet to atkārtoti, lai atkal ieslēgtu skaņu.
- 10 — **Skaņas avota poga:** nospiediet to, lai pārslēgtu atskaņošanas režīmu starp Bluetooth/optisko ieeju/HDMI/USB/AUX.
- 12 — **Atskaņošanas/pauzes, atiestatīšanas poga:** nospiediet to, lai atskaņotu vai apturētu mūziku Bluetooth vai USB režīmā. Turiet to nospiestu ilgāk (trīs sekundes), lai atiestatītu ierīci, tostarp skaļuma līmeni, izlīdzinātāju u. tml.
- 15, 16 — **Poga "Bass +/-":** nospiediet to, lai iestatītu basa līmeni.

Tālvadības pults bateriju uzstādīšana

Atveriet bateriju nodalījumu un ievietojiet tajā divas AAA baterijas (ietilpst komplektā); pārliecinieties, ka bateriju polaritāte atbilst pozitīvajiem un negatīvajiem simboliem, kas uzdrukāti nodalījumā. Pēc tam aizveriet bateriju nodalījumu.



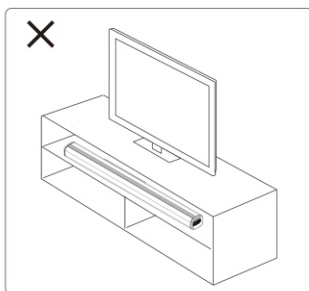
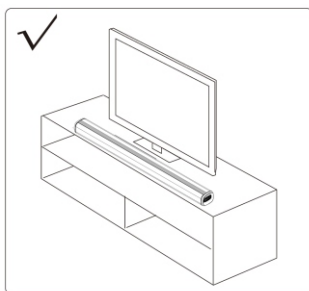
Piezīmes

- a. Labākais tālvadības pults darbības attālums ir pieci metri, bez nekādiem šķēršļiem starp tālvadības pulti un skaņas sistēmu. Tālvadības pults lietošanas laikā vēršiet to pret sensoru skaņas joslas priekšpusē.
- b. Tālvadības pults jutība samazinās, ja baterijas ir izlādējušās. Šādā gadījumā nomainiet tās pret jaunām.
- c. Ja tālvadības pults netiks lietota ilgāku laiku, izņemiet no tās baterijas.
- d. Utilizējiet baterijas videi draudzīgā veidā. Lai iegūtu sīkāku informāciju, iepazīstieties ar vietējo varas iestāžu prasībām.

Skaņas sistēmas novietojums

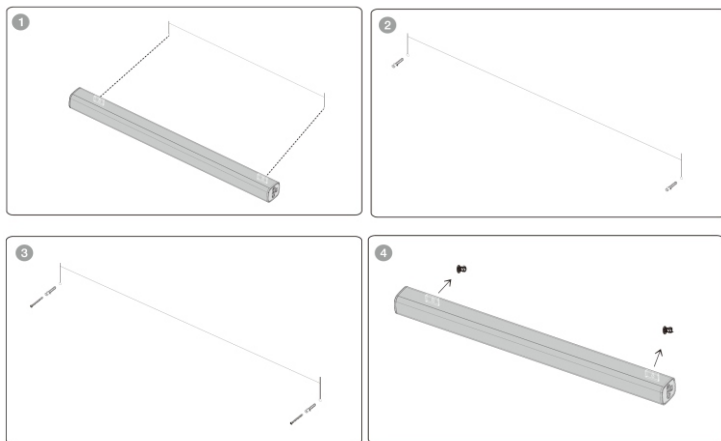
Labākais darba attālums starp skaņas sistēmu un bezvadu zemfrekvenču skaļruni ir seši metri (maksimālais darba tālums ir 10 metri). Novietojiet zemfrekvenču skaļruni pārāk tālu no skaņas sistēmas. Skaņas sistēmu var novietot uz plakanas virsmas vai uzstādīt uz sienas tālāk aprakstītajā veidā.

1. Novietojiet skaņas sistēmu uz plakanas virsmas: novietojiet ierīci horizontāli uz plakanas virsmas, piemēram, uz televizora vai skapja, un centrējiet to attiecība pret televizora ekrānu. Atstājiet nedaudz vietas starp skaļruni un sienu. Novietojiet to skapi vai sienas plauktā. Rīkojieties atbilstoši šiem norādījumiem, lai nodrošinātu labāko skaņas kvalitāti un labu gaisa plūsmu ap skaņas sistēmu.



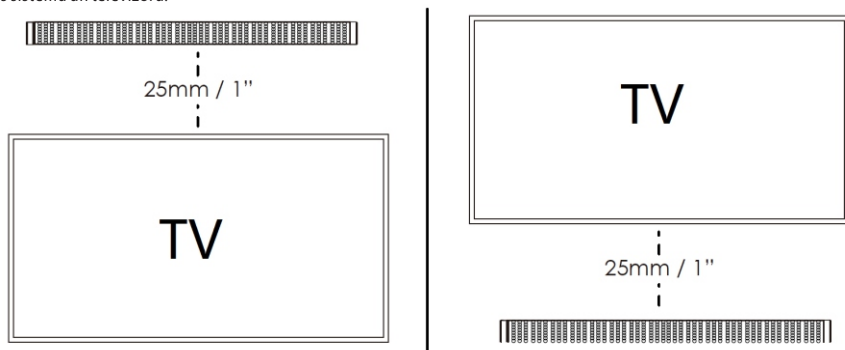
2. Uzstādīšana uz sienas

- Izmantojot skaņas sistēmu, atzīmējiet divus caurumus uz sienas ar zīmuli ar tādu pašu atstarpi kāda ir starp caurumiem skaņas sistēmas sienas balsteni. Pēc tam izurbiet montāžas caurumus.
- Ievietojiet plastmasas dibeljus sienā un pieskrūvējiet skrūves pie plastmasas klipša, nepievelciet skrūves līdz galam, pārliedzinieties, ka esat atstājis nelielu atstarpi.
- Pēc skrūvju pareizas ieskrūvēšanas, pakariniet skaņas sistēmu, ievietojot skrūves balsteni stiprināšanai uz sienas.



Bridinājums! Ja neesat pārliecināts par skaņas sistēmas pareizu un drošu uzstādīšanu uz sienas, izmantojiet pieredzējušas un kvalificētas personas palīdzību.

Uzstādiet skaļruni uz pastiprinātas sienas virsmas. Plastmasas sienu gadījumā ieteicams pieskrūvēt skaļruni pie sienas statņiem, lai garantētu lielāku drošību. Lai nodrošinātu optimālu veiktspēju, saglabājiet vismaz 25 mm / 1" attālumu starp skaņas sistēmu un televizoru.

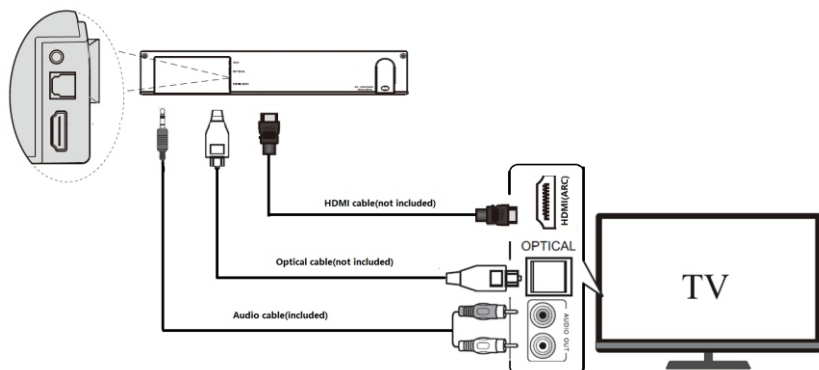


Audio vadu savienojums un iestatījumi

Pirms skaņas sistēmas ieslēgšanas vispirms pievienojiet ierīci. Skaņas sistēma ir aprīkota ar ciparu (optiskā un HDMI (ARC)) un analogām (AUX IN) ieejām dažādiem avotiem. Jūs varat iepazīties ar tālāk sniegtajām instrukcijām par savienojumu atkarībā no jūsu ierīces.

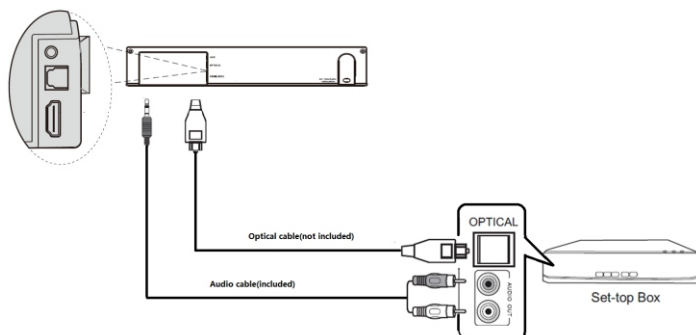
1. Skaņas sistēmas savienošana ar televizora izejām.

Noņemiet aizsargvāciņu no ligzdas "OPTICAL", pēc tam, izmantojot optisko kabeli (neietilpst komplektā), savienojiet televizora izejas ligzdu "OPTICAL OUT" ar skaņu sistēmas ieejas ligzdu "OPTICAL". Savienošana ar HDMI (ARC)/AUX pieslēgumu tiek veikta tāpat.



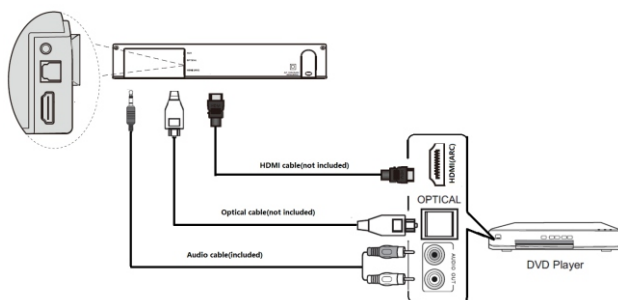
2. Skaņas sistēmas savienošana ar televīzijas dekoderi.

Pārbaudiet, ar kādām izejām ir aprīkots Jūsu dekoderis, pēc tam izmantojiet atbilstošu kabeli, lai savienotu dekoderi ar skaņas sistēmu. Lai nodrošinātu ierīces pareizu darbību, pietiek to savienot, izmantojot vienu pieslēguma veidu. Sk. tālāk parādīto attēlu.



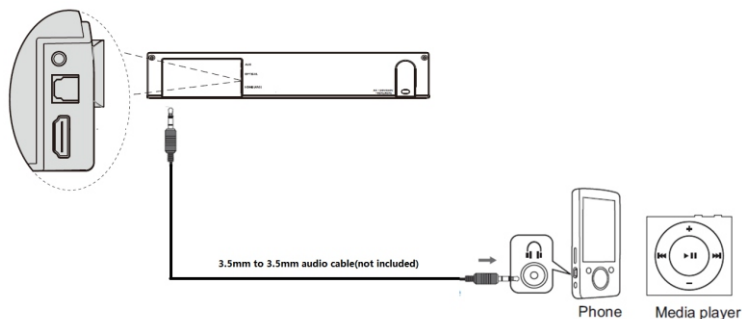
3. Skaņas sistēmas savienošana ar DVD vai Blue-ray DVD atskaņotāju.

Pārbaudiet, ar kādām izejām ir aprīkots Jūsu DVD/Blue-ray DVD atskaņotājs, pēc tam izmantojiet atbilstošu kabeli, lai savienotu atskaņotāju ar skaņas sistēmu. Lai nodrošinātu ierīces pareizu darbību, pietiek to savienot, izmantojot vienu pieslēguma veidu. Sk. tālāk parādīto attēlu.



4. Skaņas sistēmas savienošana ar MP3 atskaņotāju

Skaņas sistēma ir aprīkota ar vienu MP3 Link (AUX) ieeju, kurai var pievienot jebkuru MP3 atskaņotāju. Izmantojiet atbilstošu kabeli ar mini-jack spraudņiem, kā parādīts šajā attēlā.

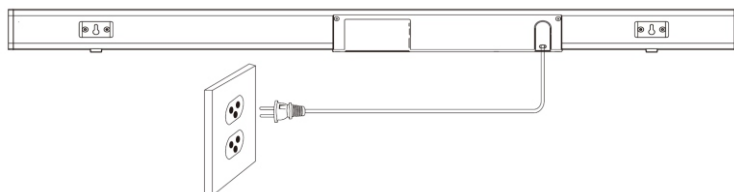


Piezīme:

1. Ja, savienojot skaņas sistēmu ar optisko vai HDMI kabeli netiek atskaņota neviena skaņa, pārlicinieties, ka avota ierīces (piemēram, DVD atskaņotāja, spēļu konsoles, televizora) ciparu audio izejai ir iestatījums "PCM stereo" vai "stereo 2.0". Iepazīstieties ar televizora vai citas avota ierīces instrukciju, lai veiktu šo darbību.
2. **HDMI (ARC):** Skaņas sistēma atbalsta ARC HDMI standartu. Ja Jūsu televizors ir saderīgs ar HDMI ARC standartu (sīkāka informācija ir pieejama televizora lietošanas instrukcijā), skaņu no televizora var atskaņot, izmantojot vienu HDMI kabeli (neietilpst komplektā). HDMI ARC pieslēgums televizorā var būt apzīmēts citādi, pārbaudiet apzīmējumu televizora lietošanas instrukcijā.
3. Izejas skaņu optiskajā un HDMI režīmā var būt skaļāka nekā AUX IN režīmā. Tas ir normāli, jo ciparu audio signāla līmenis var atšķirties no analogā signāla līmeņa.
4. Pēc skaņas sistēmas pareizas uzstādīšanas un pievienošanas lietojiet to atbilstoši šai lietošanas instrukcijai.

Apkalpošana

Barošanas avota pievienošana: Pārlicinieties, ka barošanas avots atbilst nominālā sprieguma specifikācijai uz skaņas sistēmas un zemfrekvences skaļruņa aizmugurējā paneļa. Ja tas neatbilst, konsultējieties ar pārdevēju vai servisa centru. Pievienojiet komplektā ietilpstošo maiņstrāvas kontaktdakšu sienas kontaktligzdai, lai iegūtu barošanas avotu.



Ierīces ieslēgšana/izslēgšana: Iši nospiediet barošanas pogu uz skaņas sistēmas, lai ieslēgtu ierīci; nospiediet to vairākas reizes, lai pārslēgtu atskaņošanas avotu starp Bluetooth/optisko ieeju/HDMI/USB/AUX; nospiediet barošanas pogu un turiet to nospiestu (tris sekundes), lai pārslēgtu ierīci gatavības režīmā. Tās pašas funkcijas var iegūt, nospiežot barošanas un skaņas avota pogu uz tālvadības pults.

Pēc skaņu sistēmas un bezvadu zemfrekvēncu skaļruņa ieslēgšanas ierīces dažu sekunžu laikā automātiski savienojas pāri. Ja tas nenotiek, mēģiniet savienot tās pāri manuāli, kā aprakstīts šīs instrukcijas tālākā nodaļā.

Bluetooth apkalpošana

Šī ierīce ir aprīkota ar Bluetooth funkciju, kas ļauj atskaņot mūziku no citas ierīces (piemēram, viedtālruna, planšetdatora, televizora u. tml.) bez vada.

1. Ieslēdziet ierīci, vairākas reizes nospiediet skaņas avota pogu uz tālvadības pults, lai pārietu uz Bluetooth režīmu, un simbols "BT" sāk mirgot uz displeja, kas nozīmē, ka ierīce ir gatava savienošanai pāri.
2. Ieslēdziet Bluetooth funkciju ārējā ierīcē un sameklējiet ierīces, kas pieejamas savienošanai pāri (iepazīstieties ar ārējās ierīces lietošanas instrukciju), pēc tam pārbaudiet pieejamo Bluetooth ierīču sarakstā. Izvēlieties "BP LS200" savienošanai pāri. Pēc veiksmīgas savienošanas pāri Bluetooth simbols uz skaņas sistēmas displeja pārstāj mirgot un kļūst stabils.
3. Izvēlieties un atskaņojiet mūziku no Bluetooth ārējās ierīces, atbilstoši noregulējiet skaļuma līmeni, pēc tam skaņa tiek atskaņota ar šo skaņas sistēmu.
4. Nospiežot atbilstošu pogu uz tālvadības pults, Bluetooth režīmā var veikt tādas darbības kā iepriekšējās/nākamās dziesmas izvēle, atskaņošana/pauze, skaņas izslēgšana u. tml.

Piezīmes

- a. Konstruktīvas un zīmolu atšķirību dēļ netiek garantēta visu Bluetooth ierīču savienošana pāri.
- b. Labākais Bluetooth darba attālums ir 10 metri bez nekādiem šķēršļiem starp ierīcēm.
- c. Ierīce var tikt savienota pāri un darboties kopā tikai ar vienu Bluetooth ierīci vienlaikus.
- d. Gadījumā, ja ienāk zvans Bluetooth atskaņošanas laikā, mūzika tiek apturēta uz laiku un atjaunota pēc zvana beigām.
- e. Ilgi turot nospiestu savienošanas pāri pogu uz tālvadības pults, var izbeigt pašreizējo Bluetooth ierīces savienojumu un sākt tās savienošana pāri ar citu ierīci.

Bluetooth savienojums ar televizoru: ja Jūsu televizors ir aprīkots ar Bluetooth funkciju, to var savienot ar skaņas sistēmu un atskaņot skaņu no televizora bez vada. Ieslēdziet Bluetooth uz televizora TV ekrāna un sameklējiet "BP LS200" ierīcu savienošanai pāri sarakstā. Lai iegūtu sīkāku informāciju, iepazīstieties ar televizora lietošanas instrukciju.

USB atskaņošanas apkalpošana

Ierīce ir aprīkota ar USB atskaņošanas funkciju, kas ļauj dekodēt un atskaņot mūziku no ārējās USB atmiņas ierīces. Pirms darbības sākšanas kopējiet mūziku MP3 formātā USB atmiņā; ievietojiet sagatavoto USB atmiņu skaņas sistēmā; USB režīms ir pieejams tikai pēc USB atmiņas veiksmīgas pievienošanas skaņas sistēmai. Pēc tam ierīce automātiski atklāj un atskaņo MP3 formātā saglabāto mūziku.

Nospiežot attiecīgu pogu uz tālvadības pults, USB atskaņošanas režīmā ir pieejamas šādas funkcijas: celiņa izvēle/atkaņošana/pauze/izlīdzinātājs/zemo un augsto frekvenču regulēšana u. tml.

Piezīmes

- Nav ieteicams pievienot USB atmiņu, izmantojot USB pagarinātāju, jo tas var radīt troksni vai pārtraukt skaņu audio datu zaudēšanas dēļ pārraides laikā.
- Nav garantēta visu MP3/WMA formātā saglabātu failu atskaņošana.
- Maksimālā atbalstīta USB atmiņu ietilpība ir 32 GB.
- Dažu USB atmiņu atskaņošana var aizņemt vairāk laika. Ņemiet vērā, ka tas nav darbības traucējums.

Bezvadu zemfrekvenču skaļruņa manuāla savienošana pāri ar skaņas sistēmu:

Skaņas sistēma ir pēc noklusējuma savienota pāri ar bezvadu zemfrekvenču skaļruņi. Gadījumā, ja ir problēmas ar savienošanu, mēģiniet veikt tālāk aprakstītās darbības.

- Pievienojiet skaņas sistēmu barošanas avotam un ieslēdziet ierīci, pārejiet uz Bluetooth režīmu; pēc tam skaņas sistēma tiek savienota pāri ar zemfrekvenču skaļruņi.
- Šajā laikā pievienojiet barošanas avotu un ieslēdziet bezvadu zemfrekvenču skaļruņi, zilā gaismas diode uz aizmugurējā paneļa lēni mirgo. Nospiediet un turiet nospiestu (tris sekundes) pogu "WPS AUTO PAIR" uz zemfrekvenču skaļruņa aizmugurējā paneļa. Zilais gaismas diodes indikators sāk ātri mirgot. Tas nozīmē, ka zemfrekvenču skaļruņis tiek savienots pāri ar skaņas sistēmu.
- Pēc aptuveni 20–30 sekundēm zemfrekvenču skaļruņa zilā gaismas diode pārstāj mirgot un kļūst stabila, kas nozīmē, ka skaņu sistēma ir veiksmīgi savienota pāri ar zemfrekvences skaļruņi.
- Pēc pirmās veiksmīgās savienošanas pāri skaņas sistēma un zemfrekvenču skaļruņis savienojas automātiski.
- Bezvadu zemfrekvenču skaļruņi var savienot pāri ar citu skaņas sistēmu no LS200SUB tāš pašas partijas. Atkārtotiet iepriekš aprakstīto darbību, taču pārlicinieties, ka savienošanas pāri laikā ir ieslēgta tikai vēlamā skaņas sistēma un bezvadu zemfrekvenču skaļruņis.

Piezīme:

- Ja bezvadu zemfrekvenču skaļruņis ir ieslēgts, bet skaņas sistēma ir izslēgta vai atrodas gatavības režīmā; pēc dažām minūtēm bezvadu zemfrekvenču skaļruņa zilais gaismas diodes indikators maina krāsu uz sarkanu, jo tas ir gatavības režīmā.
- Lai izvairītos no skaņas kvalitātes traucējumiem LS200SUB lietošanas laikā, ko rada cits bezvadu signāls, saglabājiet atbilstošu attālumu no citas bezvadu Wi-Fi/2,4G ierīces.
- Maksimālais savienojuma tālums starp skaņas sistēmu un bezvadu zemfrekvenču skaļruņi ir 10 metri atklātā telpā. Lai saglabātu labākos skaņas parametrus, mēs iesakām sešu metru attālumu.

Problēmu risināšana

- Skaļruņi nevar ieslēgt.
 - Pārlicinieties, ka barošanas avots ir pareizi pievienots.
- Nav skaņas.
 - Mēģiniet noregulēt skaļuma līmeni, pārbaudiet skaņas izslēgšanas pogu un atskaņošanas avotu.
 - Ja problēma joprojām pastāv, sazinieties ar servisa centru, lai saņemtu palīdzību.
- Skaņas kropļojumi.
 - Mēģiniet atskaņot mūziku ar zemāku skaļuma līmeni.
 - Pārbaudiet soprāna/basa iestatījuma stāvokli.
 - Mēģiniet samazināt skaļuma līmeni ārējā ierīcē, piemēram, televizorā u. tml.
- Pārtraukta skaņa Bluetooth režīmā.
 - Mēģiniet pārvietot Bluetooth ierīci tuvāk skaņas sistēmai.
- Nav skaņas optiskajā vai HDMI (ARC) režīmā.
 - Pārlicinieties, ka skaņas sistēma un ārējā ierīce ir pareizi savienotas.
 - Pārlicinieties, ka televizors ir saderīgs ar HDMI (ARC) standartu un ir pievienota pareiza pieslēgvietā. Iestatiet televizoru uz HDMI ARC (CEC).
 - Iestatiet televizora audio ieejas režīmu uz PCM formātu.
- Nav skaņas no zemfrekvenču skaļruņa.
 - Nospiediet un turiet nospiestu WPS automātiskās savienošanas pāri pogu uz zemfrekvenču skaļruņa aizmugurējā paneļa, lai to atiestatītu un savienotu pāri ar skaņas sistēmu bez vada.
 - Izslēdziet un atkārtoti ieslēdziet skaņas sistēmu un zemfrekvenču skaļruņi, pēc tam manuāli savienojiet ierīci pāri atbilstoši šai instrukcijai.
 - Ja problēma joprojām pastāv, sazinieties ar tehniskā atbalsta centru.

Specifikācija**Vispārīgā**

Jauda: 110~240 V AC, 50/60 Hz
Jaudas patēriņš (darbības režīmā): 192 W
Jaudas patēriņš gatavības režīmā: < 0,5 W
RMS izejas jauda: 160 W (40 W × 2 + 80 W zemfrekvenču skaļrunis)
Kopējie harmoniskie kropļojumi: < 1 % (1 kHz, 1 W)
Audio ieejas jutība: 800 mV
Pārraides josla: 45 Hz – 20 KHz
Atbalstītie skaņas formāti USB režīmā: MP3/WAV
Maksimālā atbalstītā USB atmiņas ietilpība: maks. 32 GB
Skaņas sistēmas izmēri: 960 × 70 × 78 mm (plat. × augst. × dziļ.)
Zemfrekvenču skaļruņa izmēri: 170 × 380 × 306 (plat. × augst. × dziļ.)

Skaļruņi

Skaņas sistēmas skaļruņu pretestība un izmērs: 4 Ω × 4; 2,25 collas
Zemfrekvenču skaļruņa pretestība un izmērs: 3 Ω × 1; 6,5 collas

Bluetooth

Bluetooth versija: V5.0
Darbības tālums: aptuveni 10 metri
Pārraides frekvence: 2,402~2,480 GHz
Protokoli: A2DP/AVRCP
(Piezīmes: ierīces specifikācija var tikt izmainīta bez iepriekšēja paziņojuma.)

Piederumi

Tālvadības pults — 1 gab.
Baterijas tālvadības pultij — 1 pāris
Lietošanas instrukcija — 1 gab.
Garantijas karte — 1 gab.
Audio kabelis (3,5 mm RCA stereo) — 1 gab.
Skrūves uzstādīšanai uz sienas: ST4 × 45 mm — 2 gab. + plastmasas montāžas dibelji — 2 gab.

Competence Center

2N-Everpol Sp. z o.o.
ul. Puławska 403A
02-801 Warsaw, Poland
phone: +48 22 331 99 59
e-mail: info@everpol.pl
www.blaupunkt.com

W przypadku pytań lub problemów
prosimy o kontakt z naszym serwisem.
In case of questions or problems
please contact our service.
Tel. 00 48 22 331 99 53
E-mail: info@blaupunkt-audio.pl

Wszelkie prawa zastrzeżone. Wszystkie nazwy marek są zarejestrowanymi
znakami towarowymi należącymi do odpowiednich podmiotów.
Dane i parametry techniczne mogą ulec zmianie bez wcześniejszego uprzedzenia.

All rights reserved. All brand names are registered trademarks of their
respective owners. Specifications are subject to change without prior notice.

A dark blue horizontal bar containing the slogan "Enjoy it." in a white, italicized, sans-serif font.

Enjoy it.