

BLAUPUNKT

BC3010/5010

Original instruction manual
Bedienungsanleitung
Instrukcja obsługi
Návod k použití
Návod na použitie
Használati utasítás
Navodila

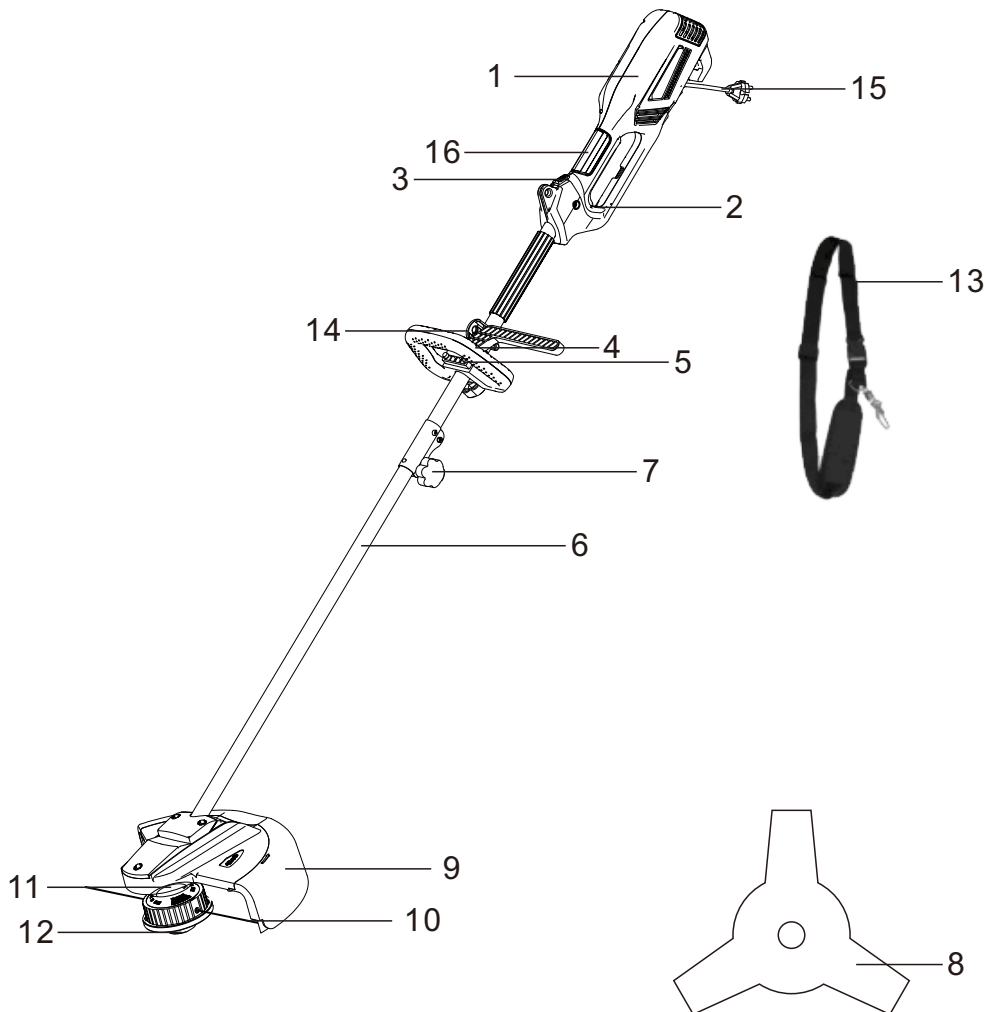
Upute za uporabu
εγχειρίδιο οδηγιών
инструкциязаупотреба
Manual de instructiuni
Instrukcijų vadovas
Kasutusjuhendit
Ekspluatācijas instrukcija

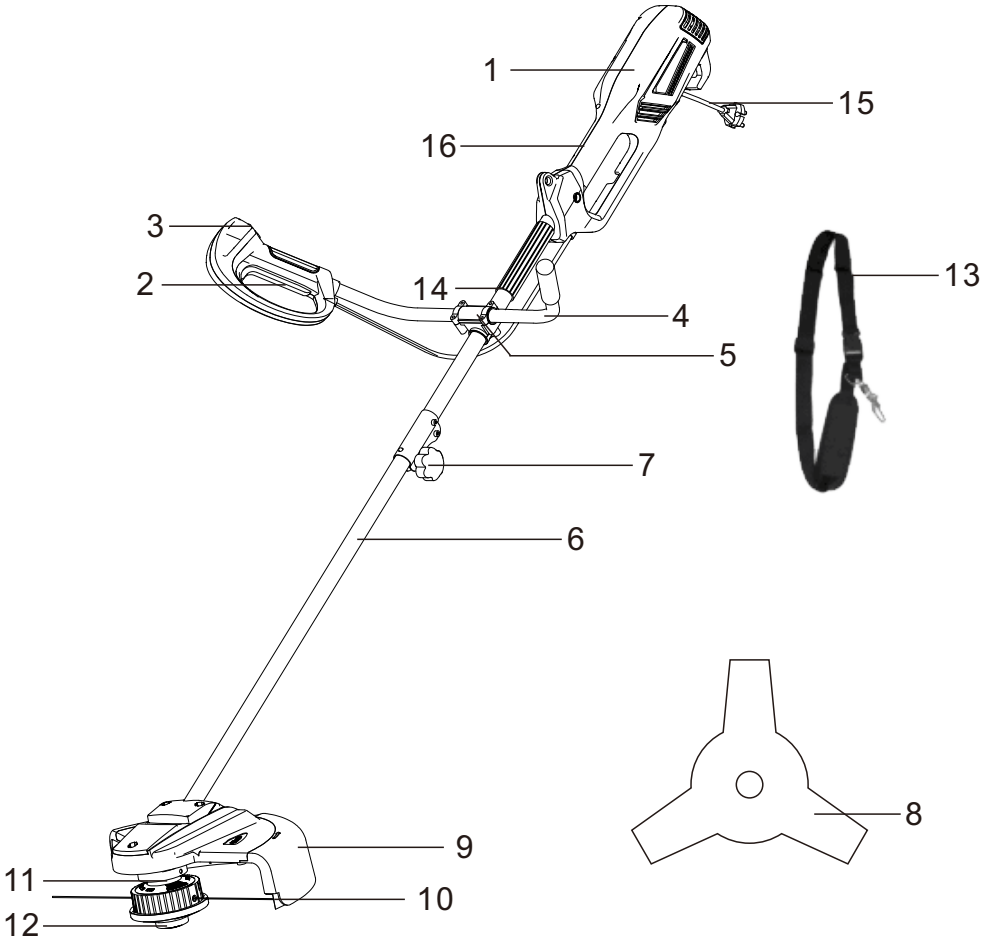


Enjoy it.

Електрическа коса
Elektrický krovínorez
Ηλεκτρικό δρεπάνι
Elektrivikat
Električna kosa
Elektriskais izkaptis

Kosa elektryczna
Brush cutter
Električna kosilnica
Elektrinis dalgis
Elektrická kosa
Elektromos fűkasza
Coasă electrică





IMPORTANT INFORMATION

To achieve the highest satisfaction, enjoy the product's performance and learn about all its features and functions, please read this manual before using the product.

Before using the device, read the Operating Instructions and comply to its contents. The manufacturer shall not be liable for any damage caused by the use of the device other than for its intended purpose or by improper handling.

Keep these Operating Instructions for future reference.

- This device is for domestic use only. Do not use for any other purposes.
- The device should only be connected to a socket with values corresponding to the values on the rating label.
- It is necessary to check, if total current consumption of all devices plugged into the wall outlet does not exceed the fuse in the circuit.
- If you are using an extension cord, make sure that the total power consumption of the equipment plugged into the extension cord does not exceed the extension cord power rating. Extension cords should be arranged in such a way as to avoid tripping hazards.
- Do not let cord hang over edge of counter, or touch any hot surface.
- The device is not designed to be controlled via an external timer, separate remote control, or other equipment that can turn the device on automatically.
- Before maintenance work always disconnect the unit from the power supply.
- When unplugging the power cord from electrical outlet, hold it by the plug only and remove the plug carefully. Never pull the cable as it may cause damage to the plug or power cord. Damage to the power cord or plug can lead to an electrocution hazard.

- Never leave the product connected to the power source without supervision.
- Never put the power cable, the plug or the whole device into the water or any other liquids.
- The device should be cleaned regularly complying with the recommendations described in the section on cleaning and maintenance.
- Do not place the device near sources of heat, flame, an electric heating element or a hot oven. Do not place on any other device.
- The appliance must not be used by children. Keep the appliance and its cord out of the reach of children.
- The appliance may be used by individuals with limited physical, sensory or mental capability as well as those without knowledge of or previous experience in the use of similar appliances, provided such individuals are supervised or instructed with regard to the safe operation of the appliance and are informed about the potential hazards.
- Additional precautions should be taken when using this device in the presence of children or pets. Do not allow children to play with the device.
- Never use the product close to combustibles.
- Never expose the product to atmospheric conditions such as direct sun light or rain, etc... Never use the product in humid conditions (like bathroom or camping house).
- The power cable should be periodically checked for damage. If the power cable is damaged the product should be taken to a professional service location to be fixed or replaced to prevent any hazards from arising.
- Never use the product with a damaged power cable or if it was dropped or damaged in any other way or if it does not work properly. Do not try to repair the defected product by yourself as it can lead to electric shock. Always return the damaged device to a professional service in order to repair it.

All the repairs should only be performed by authorized service professionals. Any attempted unauthorised repairs performed can be a hazard to the user.

- Only Original accessories should be used, as well as accessories recommended by the manufacturer. Using accessories which are not recommended by the manufacturer may result in damage of the device and may render the device unsafe for use.
- Keep your workplace tidy and well lit.
- Disorder and insufficient lighting lead to accidents.
- Do not use power tools in explosive atmospheres, i.e. in the presence of flammable liquids, gases or dust.
- A moment of carelessness may cause losing control of your tool.
- If it is possible to fit power tools for dust extraction or collection, check that they are fitted and working correctly. Using such power tools reduces the risk posed by the presence of dust.
- Do not lean out too far when working with your power tool. Maintain a stable posture and balance. This allows you to keep better control of your power tool in unforeseen situations.
- Avoid starting the power tool unintentionally. Make sure the power switch is in the OFF position before connecting the power tool to the mains. Carrying a power tool with your finger on its trigger or plugging in a power tool after switching it on can lead to accidents.
- Wear appropriate clothing. Do not work in loose clothing and do not wear jewellery while working. Keep your hair, clothing and gloves away from moving parts. The moving parts of a power tool can catch and pull in loose pieces of clothing, jewellery or long hair.
- Remove any spanners or tools from the power tool before starting it. A tool or spanner still connected to the rotating

part of the power tool may cause personal injury.

- Be careful when working with power tools, concentrate on your work and use common sense. Do not use a power tool when tired or under the influence of drugs, alcohol or medication. Even a moment of carelessness while working with a power tool can lead to a serious accident.
- Keep children away from the work area and **DO NOT** allow children to pull on the power cord - this can cause serious injury.
- Before making any adjustments, changing accessories or storing the power tool, move the switch to the off position to disconnect the power tool from the power supply. Such precautions reduce the risk of accidentally starting the power tool.
- Ensure that the vents are free from debris.
- The device may only be used in a dry, well-lit environment.
- This tool should not be used by anyone under the age of 16.

Electrical safety

Connect the device only to an electrical supply of characteristics in accordance with the information on the data plate.

The power tool plugs must match the power sockets. Never alter the power cord plug in any way. Unmodified plugs and suitable electrical sockets reduce the risk of an electric shock. Avoid touching grounded or shorted to ground surfaces such as piping, radiators, radiators and refrigerators. If parts that are grounded or shorted to ground are touched, the risk of electric shock increases.

Do not expose electric devices to rain or humid conditions. If water enters the power tool, the risk of an electric shock increases.

Do not tighten the connection cables. Never use the connection cable to carry, pull electrical equipment or pull the

plug out of the socket. Keep the connection cable away from heat sources, oils, sharp edges or moving parts. Damaged or entangled connection cables increase the risk of an electric shock.

Before starting the work, check the power cord before starting the work. Do not operate if the power cord or extension cord is abraded, cut or otherwise damaged. If the power cord is damaged during use, switch off the device and unplug it from the socket.

If the power tool is used outdoors, the connection cables should be extended with waterproof extension cords designed to operate outdoors. Using such an extension cord reduces the risk of an electric shock. The cross-section area of the extension cord conductors should be at least 1.5 mm^2 when the length of the cable is less than 20 m, and if the length of the cable is between 20 and 50 m, the minimum cross-section is 2.5 mm^2 . A residual current protection device (RCD) must be used as protection against shock from the supply voltage. Using the RCD reduces the risk of electric shock. The equipment should be supplied through an RCD with a rated current not exceeding 30 mA.

General information

The device is intended for house gardening use only as described and protected by these instructions for use. After switching off the trimmer, the string/blade rotates for some time. Wait until the motor and the string/blade completely stop before restarting the device.

Do not turn the trimmer on or off at short intervals.

The operator of the trimmer should wear proper footwear with non-slip soles and long trousers to protect the legs. Do not work barefoot or in flip-flops, sandals.

Always use the trimmer holding it with both hands.

Operate the device only during the day or in good artificial lighting.

	Read the user manual.		Use ear protection
	General warning		Wear protective gloves
	Fire hazard		Wear protective clothing
	Electric shock hazard		Wear a protective mask
	Wear safety glasses		Wear respiratory protection

SYMBOLS

- The following symbols may appear in the operating instructions or on the tool's nameplate.
- These signs contain important information about the product and instructions on how to use it.



When this crossed-out wheeled bin symbol is attached to a product it means that the product is covered by the European Directive 2012/19/EU. Please inform yourself about the local separate collection system for electrical and electronic products. Used appliance should be delivered to the dedicated collecting points due to hazardous components, which may affect the environment. Do not dispose this appliance in the common waste bin.



Your products is designed a manufactured with high quality materials and components, which can be recycled and reused.

Intended use:

The gardening tool is designed for home use, for trimming grass and weeds, usually in areas that cannot be reached with a lawnmower. The gardening tool is not intended for commercial or industrial use.

Before starting the device:

Check the technical condition of the device and make sure that none of the components are damaged and that the reel with the string or the blade is properly installed and fastened.

Before using the trimmer, check that there are no signs of wear or damage and, if necessary, return it to an authorised service centre.

Check that bystanders and animals are at a safe distance from the trimmer's workplace (at least 15 meters).

The trimmer should be disconnected from the power supply in the event of breaks in work, before moving it to another workplace, and before any work on the power tool (e.g. setting or cleaning) .

WEAR PERSONAL PROTECTIVE EQUIPMENT

- Wear safety glasses according to En166
- Use protective masks in accordance with En149
- Use other types of proper personal protective equipment, depending on the type of work involved.

Description of the device

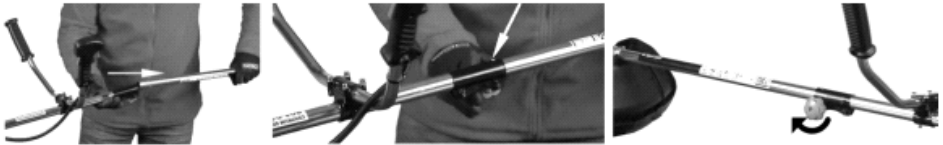
- | | |
|--|--|
| 1. Motor | 9. Cover of the cutting unit /safety cover |
| 2. Switch trigger | 10. String cutter |
| 3. Switch lock | 11. Gear |
| 4. Handle | 12. Locking screw |
| 5. Handle (guide) mounting cover | 13. Shoulder strap |
| 6. Cutting unit mounting pipe | 14. Attachment point of the shoulder strap |
| 7. Drive shaft guard connector | 15. Power cord |
| 8. Cutting unit (cutting disc, head with string) | 16. Handle |

Installing the cutting unit guard (installing the safety guard):

Unscrew the strap holding the safety cover. Replace the cover, attach the fastening band which must then be tightened with the screws.

Drive shaft connection:

Connect the two parts of the tube in which the drive shaft is located until the locking pin 1 engages. Tighten the fixing nut.



Changing the reel:

1. Check that the switch is in the off position and remove the plug from the socket.
2. Press the side latches of the reel cover, remove the inner cover from the reel, then remove it from the inside and replace with a new one.
3. Push the reel back into the reel holder ensuring it is securely seated.

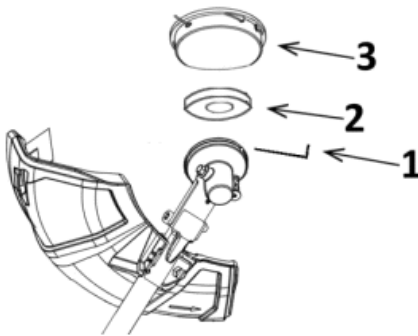
Installing the string reel



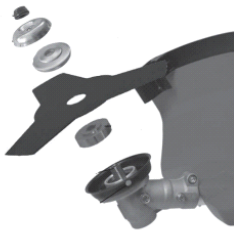
Remove the nut by turning it clockwise.

Remove the moulded plate washer, remove the spacer.

Lock the cutting attachment drive axis with a hex key. Screw the reel with the cutting string by rotating it counter-clockwise, remembering to lock it with the hex key of the drive shaft 1.



Installing the blade:



Remove the nut by turning it clockwise. Remove the washer from the moulded plate, remove the spacer. Install the triple blade on the drive shaft axle. Install the spacer, then install the washer from the pressed plate. Lock the cutting attachment drive axis with a hex key. Screw the nut 5 with the supplied spanner counter-clockwise. Diagram: 1 hex key, 2 washer, 3 triple arm blade, 4 spacer, 5 moulded plate washer, 6 nut.

Carrying strap:

Before working, properly adjust the carrying strap or harness to fit the user. The strap should be positioned so that, with the strap on the left shoulder, the strap hook be mounted on the scythe extension at the height of the right hip. The harness is placed on the left arm and the hip guard on the right side of the operator, where the scythe suspension point is located. This cover protects the user against vibrations from the working scythe and also prevents contact with the scythe.

GRASS mowing:

Do not mow wet grass. The best mowing results are achieved when the grass is dry. Insert the extension cord through the back of the arm, making sure that it is always behind the user when cutting.

Keep the device tilted at an angle of 20 degrees to the grass being mowed, moving it in a pendulum motion, to the left and right. Make sure to keep the device away from yourself – see figure.



Effective mowing of the grass with the device is possible only if the grass not higher than 15 cm. Keep the grass trimmer away from hard objects. When the string or blade comes into contact with a hard object, the string or blade may break. Stones can be thrown away and hit the surrounding objects at high speed causing damage. It is prohibited to use the device without a safety cover. When using the trimmer, remember to maintain proper body posture during work.

MOWING AROUND SHRUBS AND TREES

When mowing grass and weeds around shrubs and trees be extremely careful and do not allow them to come into contact with the rotating string or blade. Damage to the bark may result in the death of the tree or shrub .

String ejection:

If the string is too short, pull it out. The unit is equipped with an automatic dispense head. Press the reel lightly against the ground to eject the string automatically.

During this operation, please note that pressing the reel too hard or too hard against the ground may cause damage to the reel, so it is recommended to do it manually to prevent damage.

Cleaning and maintenance

1. After each use clean the entire device of plant residues and the lower cover of the collected compacted mass.
2. Ventilation slots and motor housing should be kept free of dust and dirt, as much as possible. Wipe the device with a clean cloth, brush or purge with compressed air.
3. It is recommended to clean immediately after every use.
4. Do not use any cleaning agents or solvents to clean the device; they may damage the plastic parts. Take care not to allow water to enter the device.
5. Check the condition of the cutting string regularly, as well as the

tightening of the screws. With new devices, the bolt tightening should be checked after about 2 first hours of operation. Tighten the loosened bolts if necessary.

6. Ensure that all components of the power tool are in good working order and do not overload or carry out any work for which the device is not intended

Brush cutter

Motor type: electric, brush

Motor power: 1400 W

Rotational speed: 7500 rpm

Cutting diameter of the string: 420 mm

Type and type of head: semi-automatic/double string

Recommended string diameter: from 1.6 mm to 2.0 mm

Noise and vibrations.

The noise and vibrations have been measured in accordance with 2000/14/EC, 2005/88/EC.

Noise emission: Sound pressure level (LpA): 75.51 dB (A)

KpA deviation: 3,00 dB (A)

Measured sound power level LwA: 95.51 dB (A)

KwA deviation: 0.93 dB (A)

Guaranteed sound power level: LwA: 96.00 dB (A)

Total vibration value and measurement uncertainty (K):

The value of vibrations acting on the upper limbs: 7.95 m/s^2 , $k=1.5 \text{ m/s}^2$

The declared total vibration value has been measured according to the standard test method and can be used to compare

one device to another. The given vibration emission value may be used for the preliminary estimation of the negative impact.

After every 15 minutes of work allow 15 minutes break.

WAŻNE INFORMACJE

Aby osiągnąć najwyższą satysfakcję, cieszyć się wydajnością produktu i poznać jego wszystkie cechy i funkcje, prosimy o przeczytanie niniejszej instrukcji przed przystąpieniem do korzystania z tego produktu.

Przed rozpoczęciem użytkowania urządzenia przeczytać instrukcję obsługi i postępować według wskazówek w niej zawartych. Producent nie odpowiada za szkody spowodowane użytkowaniem urządzenia niezgodnie z jego przeznaczeniem lub niewłaściwą jego obsługą.

Instrukcję obsługi należy zachować, aby można było korzystać z niej również w trakcie późniejszego użytkowania wyrobu.

- Urządzenie należy podłączyć wyłącznie do gniazdka z uziemieniem o charakterystyce zgodnej z wartościami na tabliczce znamionowej.
- Należy sprawdzić, czy całkowity pobór prądu wszystkich urządzeń podłączonych do gniazdka ściennego nie przekracza maksymalnego obciążenia bezpiecznika.
- Jeżeli wykorzystywany jest przedłużacz, należy sprawdzić, czy łączny pobór mocy sprzętu podłączonego do przedłużacza, nie przekracza parametrów obciążenia przedłużacza. Przewód przedłużacza należy ułożyć w taki sposób by uniknąć przypadkowych pociągnięć i potknięcia się o niego. Upewnij się, że przedłużacz jest z uziemieniem, 3-żyłowy z gniazdkiem z bolcem uziemiającym.
- Urządzenie nie jest przeznaczone do sterowania za pomocą zewnętrznego wyłącznika czasowego, osobnego pilota lub innego sprzętu, który może włączać urządzenie automatycznie.
- Przed pracami konserwacyjnymi należy zawsze bezwzględnie odłączyć urządzenie od zasilania. Odłączając kabel zasilający należy zawsze wyciągać go z gniazdka trzymając za wtyczkę. Nigdy nie należy wyciągać przewodu zasilającego ciągnąc za kabel, ponieważ uszkodzeniu może

ulec wtyczka lub kabel, w skrajnym wypadku może dojść nawet do śmiertelnego porażenia prądem.

- Nie wolno pozostawiać włączonego urządzenia do gniazdka bez nadzoru.
- Nie zanurzaj urządzenia w wodzie lub żadnym innym płynie.
- Urządzenie powinno być regularnie czyszczone według zaleceń opisanych w części o Czyszczeniu i konserwacji urządzenia.
- Nie umieszczaj urządzenia blisko źródeł ciepła, płomieni, elektrycznego elementu grzewczego lub na gorącym piekarniku. Nie umieszczaj na żadnym innym urządzeniu.
- Należy zachować szczególną ostrożność podczas korzystania z urządzenia, gdy w pobliżu przebywają dzieci lub zwierzęta domowe.
- Nie należy dopuszczać dzieci do zabawy urządzeniem.
- Nie korzystaj z urządzenia w pobliżu materiałów łatwopalnych.
- Nie wystawiaj urządzenia na działanie warunków atmosferycznych (deszczu, słońca, etc.) ani nie używaj w warunkach podwyższonej wilgotności (łazienki, wilgotne domki kempingowe).
- Okresowo sprawdzaj stan przewodu zasilającego. Jeżeli przewód zasilający nieodłączalny ulegnie uszkodzeniu, to powinien on być wymieniony u wytwórcy lub w specjalistycznym zakładzie naprawczym albo przez wykwalifikowaną osobę w celu uniknięcia zagrożenia.
- Nie używaj urządzenia z uszkodzonym przewodem zasilającym, wtyczką lub jeśli zostało upuszczone lub uszkodzone w jakikolwiek inny sposób lub nieprawidłowo pracuje. Nie naprawiaj urządzenia samodzielnie, gdyż grozi to porażeniem. Uszkodzone urządzenie oddaj do właściwego punktu serwisowego w celu sprawdzenia lub dokonania naprawy. Wszelkich napraw mogą dokonywać wyłącznie uprawnione punkty serwisowe. Nieprawidłowo wykonana naprawa może spowodować poważne zagrożenie dla

użytkownika.

- Używaj tylko oryginalnych akcesoriów oraz części zamiennych do urządzenia lub rekomendowanych przez producenta. Używanie akcesoriów lub części nierekomendowanych przez producenta może doprowadzić do uszkodzenia urządzenia oraz zagrozić bezpieczeństwu użytkownika.
- Dbaj o porządek i dobre oświetlenie w miejscu pracy.
- Nieporządek i niewystarczające oświetlenie prowadzą do wypadków.
- Nie używaj elektronarzędzi w przestrzeniach zagrożonych wybuchem, tj. w obecności łatwopalnych cieczy, gazów lub pyłów.
- Chwila nieuwagi grozi utratą panowania nad narzędziem.
- Jeżeli istnieje możliwość zamontowania elektronarzędzi do odprowadzania lub zbierania pyłu, sprawdź, czy zostały one zamocowane i działają prawidłowo. Używanie takich elektronarzędzi zmniejsza zagrożenie stwarzane przez obecność kurzu.
- Nie wychylaj się z elektronarzędziem zbyt daleko. Utrzymuj stabilną postawę i równowagę. Dzięki temu zachowasz lepszą kontrolę nad elektronarzędziem w nieprzewidzianych sytuacjach.
- Unikaj niezamierzonego uruchomienia elektronarzędzia. Przed podłączeniem elektronarzędzia do sieci elektrycznej sprawdź, czy wyłącznik zasilania znajduje się w położeniu wyłączonym (OFF). Przenoszenie elektronarzędzia z palcem na spuście lub podłączanie elektronarzędzia do sieci już po włączeniu może prowadzić do wypadków.
- Zakładaj odpowiednią odzież. Nie pracuj w luźnym ubraniu i nie noś biżuterii podczas pracy. Włosy, odzież i rękawice trzymać z dala od ruchomych części. Ruchome części elektronarzędzia mogą pochwycić i wciągnąć luźne części odzieży, biżuterię lub długie włosy.
- Przed uruchomieniem elektronarzędzia wyjmij z niego

wszystkie klucze lub narzędzia. Narzędzie lub klucz nadal połączony z częścią obrotową elektronarzędzia może spowodować obrażenia ciała.

- Podczas pracy z elektronarzędziami zachowuj ostrożność, skoncentruj się na pracy i stosuj zdrowy rozsądek. Nie używaj elektronarzędzia w razie zmęczenia lub pod wpływem środków odurzających, alkoholu lub leków. Nawet chwila nieuwagi podczas pracy z elektronarzędziem grozi poważnym wypadkiem.
- Trzymaj dzieci z dala od miejsca wykonywania pracy i NIE pozwalaj dzieciom na pociąganie za kabel zasilający – może to spowodować poważne obrażenia.
- Przed dokonaniem jakichkolwiek regulacji, wymianą akcesoriów lub odstawieniem elektronarzędzia do przechowania przestaw wyłącznik do położenia wyłączenia, aby odłączyć elektronarzędzie od zasilania. Takie działania zapobiegawcze zmniejszają ryzyko przypadkowego uruchomienia elektronarzędzia.
- Upewnij się, że otwory wentylacyjne są wolne od osadów.
- Z urządzenia można korzystać wyłącznie w suchym, dobrze oświetlonym otoczeniu.
- Z tego narzędzia nie powinny korzystać osoby poniżej 16 roku życia.

Bezpieczeństwo elektryczne

Urządzenie należy podłączyć wyłącznie do gniazdka o charakterystyce zgodnej z wartościami na tabliczce znamionowej.

Wtyczki elektronarzędzi muszą pasować do gniazdek elektrycznych. Nigdy w żaden sposób nie należy przerabiać wtyczki przewodu zasilającego. Niezmodyfikowane wtyczki i odpowiednie gniazdka elektryczne zmniejszają ryzyko porażenia prądem elektrycznym.

Należy unikać dotykania powierzchni uziemionych lub

zwartych z masą, takich jak rury, ogrzewacze, grzejniki i chłodziarki. W przypadku dotknięcia części uziemionych lub zwartych z masą, wzrasta ryzyko porażenia prądem elektrycznym.

Nie należy narażać urządzeń zasilanych elektrycznie na działanie deszczu lub warunków wilgotnych. W przypadku przedostania się wody do elektronarzędzia, wzrasta ryzyko porażenia prądem elektrycznym.

Nie należy napinać przewodów przyłączeniowych. Nigdy nie należy używać przewodu przyłączeniowego do przenoszenia, ciągnięcia sprzętu zasilanego elektrycznie lub wyciągania wtyczki z gniazdka. Należy trzymać przewód przyłączeniowy z daleka od źródeł ciepła, olejów, ostrych krawędzi lub ruchomych części. Uszkodzone lub zaplątane przewody przyłączeniowe zwiększają ryzyko porażenia prądem elektrycznym.

Przed przystąpieniem do pracy sprawdzić przewód zasilający. Nie przystępować do pracy, jeżeli przewód zasilający lub przedłużacz są przetarte, przecięte lub w inny sposób ulegnie uszkodzeniu należy wyłączyć urządzenie i wyciągnąć wtyczkę z gniazda sieciowego.

W przypadku, gdy elektronarzędzie używane jest na zewnątrz, przewody przyłączeniowe należy przedłużać przedłużaczami wodoszczelnymi przeznaczonymi do pracy w warunkach zewnętrznych. Używanie takiego przedłużacza zmniejsza ryzyko porażenia prądem elektrycznym. Przekrój żyły przedłużacza powinien wynosić co najmniej $1,5 \text{ mm}^2$ kiedy długość kabla jest krótsza niż 20 m, natomiast jeżeli długość kabla wynosi między 20 a 50 m, przekrój minimalny to $2,5 \text{ mm}^2$. Jako ochronę przed porażeniem przez napięcie zasilania należy stosować zabezpieczenie różnicowoprądowe (RCD).

Zastosowanie wyłącznika RCD zmniejsza ryzyko porażenia prądem elektrycznym. Sprzęt należy zasilac poprzez wyłącznik różnicowoprądowy o prądzie znamionowym

nieprzekraczającym 30 mA.

Informacja ogólna

Urządzenie jest przeznaczone wyłącznie do prac w ogrodzie przydomowym zgodnie z opisem i zasadami bezpieczeństwa zawartymi w niniejszej instrukcji użytkownika.

Po wyłączeniu podkaszarki żyłka/ostrze obraca się jeszcze przez jakiś czas. Odczekać do całkowitego zatrzymania silnika oraz żyłki/ostrza przed ponownym uruchomieniem urządzenia.

Nie włączać i nie wyłączać podkaszarki w krótkich odstępach czasu.

Operator podkaszarki powinien nosić porządne obuwie o podeszwach przeciwpoślizgowych i długie spodnie do ochrony nóg. Nie wolno pracować boso lub w klapkach, sandałach.

Z podkaszarki zawsze korzystać oburącz.

Należy używać urządzenia tylko podczas dnia lub przy dobrym oświetleniu sztucznym.

	Przeczytaj podręcznik użytkownika.		Stosuj ochronę uszu
	Ostrzeżenie ogólne		Zakładaj rękawice ochronne
	Niebezpieczeństwo pożaru		Zakładaj odzież ochronną
	Niebezpieczeństwo porażenia prądem		Zakładaj maskę ochronną
	Zakładaj okulary ochronne		Stosuj ochronę dróg oddechowych

SYMBOLS

- W instrukcji obsługi lub na tabliczce znamionowej narzędzia mogą pojawić się poniższe symbole.
- Te oznaczenia zawierają ważne informacje na temat produktu i wskazówki dotyczące sposobu jego użytkowania.



Jeśli na urządzeniu znajduje się znak przekreślonego kosza na śmieci, oznacza to, że produkt jest objęty postanowieniami dyrektywy europejskiej 2012/19/EU. Należy zapoznać się z wymaganiami dotyczącymi lokalnego systemu zbiórki odpadów elektrycznych i elektronicznych. Należy postępować zgodnie z lokalnymi przepisami. Nie wolno wyrzucać tego produktu razem ze zwykłymi odpadami domowymi. Prawidłowe usunięcie starego produktu zapobiegnie potencjalnym negatywnym skutkom dla środowiska naturalnego i zdrowia ludzkiego.

Szczegółowe informacje o najbliższym punkcie zbiórki można uzyskać bezpośrednio od sprzedawcy lub w firmie:

Blaupunkt Competence Center, 2N-Everpol Sp. z o.o., ul. Puławska 403A, 02-801 Warszawa, tel. +48 22 688 08 00, email: info@everpol.pl



Produkt został wyprodukowany z wysokiej jakości materiałów i podzespołów, które można poddać recyklingowi i ponownie użyć.

STOSOWAĆ ŚRODKI OCHRONY OSOBISTEJ

- Stosuj okulary ochronne zgodnie z normą En166
- Stosuj maski ochronne zgodnie z normą En149
- Stosuj inne precyzyjne środki ochrony indywidualnej, w zależności od rodzaju wykonywanej pracy.

Przeznaczenie

Narzędzie ogrodnicze przeznaczone jest do użytku przydomowego, do przycinania trawy i chwastów, zazwyczaj do przestrzeni do których kosiarka nie ma dostępu. Narzędzie ogrodowe nie jest przeznaczone do użytku komercyjnego ani przemysłowego.

Przed uruchomieniem urządzenia

Należy sprawdzać stan techniczny urządzenia i upewnić się, czy żaden z elementów nie jest uszkodzony i czy szpula z żytką lub ostrze jest poprawnie założone i zamocowane.

Przed użyciem podkaszarki należy sprawdzić, czy nie ma ona oznak zużycia lub uszkodzeń i w razie potrzeby oddać do autoryzowanego serwisu.

Należy sprawdzać czy osoby postronne i zwierzęta znajdują się w bezpiecznej odległości od miejsca pracy podkaszarki (co najmniej 15 metrów).

Podkaszarkę należy odłączyć od sieci zasilającej w przypadku przerw w pracy, przed przenoszeniem jej w inne miejsce pracy, oraz przed wszelkimi pracami przy elektronarzędziu (np. nastawianie lub czyszczenie).

Opis urządzenia

- | | |
|---|---|
| 1. Silnik | 9. Osłona zespołu tnącego / osłona bezpieczeństwa |
| 2. Spust włącznika | 10. Nożyk do obcinania żytki |
| 3. Blokada włącznika | 11. Przekładnia |
| 4. Uchwyt | 12. Śruba zabezpieczająca |
| 5. Pokrywa mocowania uchwytu (kierownicy) | 13. Pasek naramienny |
| 6. Rura mocowania zespołu tnącego | 14. Miejsce mocowania paska naramiennego |
| 7. Łącznik osłony wału napędowego | 15. Przewód zasilający |
| 8. Zespół tnący (tarcza tnąca, głowica z żytką) | 16. Rękojeść |

Montaż osłony zespołu tnącego (montaż osłony bezpieczeństwa):

Odkręcić opaskę mocującą osłonę bezpieczeństwa. Założyć osłonę, założyć opaskę mocującą, którą następnie należy przykręcić śrubami.

Łączenie wału napędowego:

Połączyć dwie części rury, w których znajduje się wał napędowy aż do zatrzaśnięcia się trzpienia blokującego 1. Dokręcić nakrętkę mocującą.



Wymiana szpuli:

1. Należy sprawdzić czy przełącznik jest w pozycji wyłączonej i wyjmij wtyczkę z kontaktu.
2. Wcisnąć boczne zatrzaski osłony szpuli, zdjąć wewnętrzną osłonę ze szpulki, a następnie wyjąć ją ze środka i zastąpić nową.
3. Wcisnąć szpulkę z powrotem do uchwyty szpuli, upewniając się, że jest dobrze osadzona na swoim miejscu.

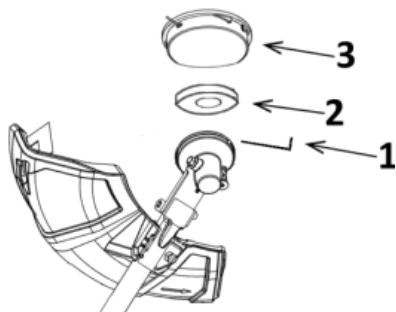
Montaż szpuli z żyłką



Odkręcić nakrętkę, nakrętka odkręca się zgodnie z ruchem wskazówek zegara.

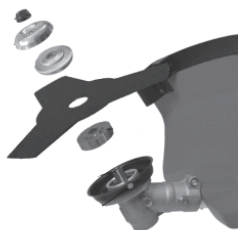
Zdjąć podkładkę z przetłoczonej blachy, zdjąć podkładkę dystansową.

Zablokować kluczem sześciokątnym oś napędu przystawki tnącej. Przykręcić szpulę z żyłką tnącą obracając ją w kierunku odwrotnym do kierunku wskazówek zegara, pamiętając przy tym o blokowaniu kluczem sześciokątnym wału napędu 1.



Montaż ostrza:





Odkręcić nakrętkę, nakrętka odkręca się zgodnie z ruchem wskazówek zegara. Zdjąć podkładkę z przetłoczonej blachy, zdjęć podkładkę dystansową. Zamontować nóż trójramienny na oś wału napędowego. Zamontować podkładkę dystansową, następnie podkładkę z przetłoczonej blachy. Zablokować kluczem sześciokątnym oś napędu przystawki tnącej. Przykręcić nakrętkę 5, za pomocą dołączonego do zestawu klucza w kierunku odwrotnym do kierunku wskazówek zegara. Schemat: 1 klucz sześciokątny, 2 podkładka, 3 nóż trójramienny, 4 podkładka dystansowa, 5 podkładka z przetłoczonej blachy, 6 nakrętka.

Pas nośny:

Przed pracą należy właściwie ustawić zaczep pasa nośnego lub uprząż (szelek) do użytkownika. Pas należy ustawić tak, aby przy założonym pasie na lewym ramieniu zaczep pasa zamontować wysięg kosy znajdował się na wysokości prawego biodra. Uprząż zakłada się na lewe ramię i osłona stawu biodrowego będzie znajdował się po prawej stronie operatora, w miejscu gdzie znajduje się punkt zawieszenia kosy. Osłona ta zabezpiecza użytkownika przed wibracjami pracującej kosy, a także zabezpiecza przed kontaktem z kosą.

Koszenie TRAWY:

Nie kosić mokrej trawy. Najlepsze wyniki koszenia uzyskuje się, gdy trawa jest sucha. Przewód przedłużający należy przełożyć przez ramię do tyłu, zwracając uwagę, by podczas cięcia znajdował się on zawsze za użytkownikiem.

Należy trzymać urządzenie pochyloną pod kątem 20 stopni w stosunku do koszonej trawy, poruszając nią ruchem wahadłowym, w lewą i prawą stronę. Zwracać uwagę, aby trzymać urządzenie z dala od siebie - patrz rysunek.



Efektywne koszenie trawy urządzeniem możliwe jest tylko w przypadku trawy nie wyższej niż 15 cm. Nie zbliżać podkaszarki do twardych przedmiotów. Gdy żyłka lub ostrze będzie miało kontakt z twardym przedmiotem może dojść do zerwania, uszkodzenia się żyłki lub ostrza. Kamienie mogą zostać odrzucone i uderzyć w okoliczne przedmioty z dużą prędkością przyczyniając się do uszkodzeń. Zabronione jest używanie urządzenia bez osłony bezpieczeństwa.

Używając podkaszarki pamiętaj by zachować odpowiednią postawę ciała podczas pracy.

KOSZENIE WOKÓŁ KRZEWÓW I DRZEW

Podkaszając trawę i chwasty wokół krzewów i drzew, należy zachować wyjątkową ostrożność i nie dopuszczać do ich zetknięcia się z wirującą żyłką lub ostrzem. Uszkodzenie kory może skutkować obumarcie drzewa lub krzewu.

Wysuwanie żyłki:

Jeśli żyłka jest za krótka należy ją wysunąć. Urządzenie wyposażone jest w głowicę z automatycznym wysuwem. Aby wysunąć żyłkę automatycznie – należy przycisnąć lekko szpulę do ziemi. Podczas tej czynności należy pamiętać, że zbyt mocne lub zbyt gwałtowne przyciskanie szpuli do ziemi może spowodować jej uszkodzenie, dlatego zaleca się wykonać czynność ręcznie by nie dopuścić do uszkodzenia szpuli.

Czyszczenie, konserwacja:

1. Po każdorazowym użyciu urządzenia, należy oczyścić całe urządzenie z resztek roślinnych, a osłonę dolną z zebranej, zbitej masy.
2. Szczeliny wentylacyjne i obudowa silnika powinny być w miarę możliwości zawsze wolne od pyłu i zanieczyszczeń. Urządzenie wycierać czystą ściereczką, pędzlem lub przedmuchać sprężonym powietrzem.
3. Zaleca się czyszczenie bezpośrednio po każdorazowym użyciu.
4. Do czyszczenia urządzenia nie używać żadnych środków czyszczących ani rozpuszczalników; mogą one uszkodzić części urządzenia wykonane z tworzywa sztucznego. Należy uważać, aby do wnętrza urządzenia nie dostała się woda.
5. Należy regularnie kontrolować stan żyłki tnącej, a także dokręcenie śrub. Przy nowych maszynach, pierwszą kontrolę dokręcenia śrub należy przeprowadzić po około 2 godzinach pracy podkaszarki. W razie konieczności dokręcić poluzowane śruby.
6. Należy dbać o prawidłowy stan wszystkich elementów elektronarzędzia, a także nie przeciążanie urządzenia lub wykonywanie prac, do których maszyna nie została przeznaczona

Kosa elektryczna

Typ silnika: elektryczny, szczotkowy

Moc silnika: 1400 W

Prędkość obrotowa: 7500 rpm

Średnica koszenia żyłką: 420 mm

Rodzaj i typ głowicy: półautomatyczna / podwójna żyłka

Zalecana średnica żyłki: od 1,6 mm do 2,0 mm

Hałas i wibracje.

Hałas i wibracje zostały zmierzone zgodnie z normą 2000/14/EC, 2005/88/EC.

Emisja hałasu: Poziom ciśnienia akustycznego LpA: 75,51 dB (A)

Odchylenie KpA: 3,00 dB (A)

Zmierzony poziom mocy akustycznej LwA: 95,51 dB (A)

Odchylenie KwA: 0,93 dB (A)

Gwarantowany poziom mocy akustycznej: LwA: 96,00 dB (A)

Całkowita wartość drgań i niepewność pomiarowa (K):

Wartość wibracji działających na kończyny górne: $7,95 \text{ m/s}^2$, $k=1,5 \text{ m/s}^2$

Zadeklarowana całkowita wartość drgań została zmierzona zgodnie z użyciem standardowej metody badawczej i może być stosowana do porównania jednego urządzenia z drugim. Podana wartość emisji drgań może być używana do wstępnego oszacowania negatywnego oddziaływania.

Po każdych 15 min pracy – 15 min przerwy.

DŮLEŽITÁ INFORMACE

Chcete-li dosáhnout nejvyšší spokojenosti, užít si výkon produktu a naučit se všechny jeho vlastnosti a funkce, přečtěte si před použitím tohoto produktu tento návod.

Před použitím zařízení si přečtěte návod k obsluze a dodržujte pokyny v něm uvedené. Výrobce neručí za škody způsobené používáním zařízení v rozporu s jeho určením nebo nesprávnou obsluhou.

Návod k obsluze uschovejte tak, aby jej bylo možné použít i při pozdějším použití produktu.

- Zařízení je určeno výhradně k domácímu použití.
Nepoužívejte je k jiným účelům, než pro které je určeno.
- Zařízení připojujte výhradně do zásuvky, která splňuje parametry uvedené na popisném štítku.
- Ujistěte se, že celkový odběr proudu všech zařízení připojených do nástěnné zásuvky nepřekračuje maximální zatížení pojistek.
- Jestliže používáte prodlužovací kabel, zkontrolujte, zda celkový příkon spotřebiče připojeného k prodlužovacímu kabelu nepřekračuje parametry zatížení prodlužovacího kabelu. Prodlužovací kabel uložte tak, abyste předešli nežádoucím zachycením a zakopnutí.
- Napájecí kabel zařízení nesmí nikdy viset dolů přes hranu stolu či police, nesmí přicházet do kontaktu s horkým povrchem.
- K ovládání zařízení nesmí být používán vnější časový spínač, samostatný dálkový ovladač nebo jiný přístroj, který může zařízení automaticky zapnout.
- Než přistoupíte k údržbovým činnostem, vždy vypněte napájení přístroje.
- Napájecí kabel odpojte tak, že jej uchopíte za vidlici a vytáhnete ze zásuvky. Nikdy
- kabel neodpojujte tahem za samotný kabel, mohlo by dojít k poškození vidlice

- nebo kabelu, v krajním případě může dojít až ke smrtelnému úrazu elektrickým proudem.
- Neponechávejte zařízení zapojené do zásuvky bez dozoru.
- Je zakázáno ponořovat zařízení do vody nebo do jiné tekutiny.
- Zařízení je nutné pravidelně čistit podle doporučení uvedených v oddíle o Čištění a údržbě zařízení.
- Zařízení neumísťujte v blízkosti zdrojů tepla, ohně, elektrického topného přístroje nebo na horké troubě. Nepokládejte je na jiný přístroj.
- Přístroj a kabel uchovávejte mimo dosah dětí.
- Přístroj mohou používat osoby s omezenými fyzickými, smyslovými nebo duševními schopnostmi nebo s nedostatkem zkušeností a znalostí, pokud jsou tyto osoby pod dohledem nebo byly řádně poučeny ohledně použití spotřebiče bezpečným způsobem a chápou možná rizika spojená s jeho používáním.
- Jestliže se v blízkosti zapnutého spotřebiče pohybují děti či domácí zvířata, dbejte zvýšené opatrnosti. Nedovolte dětem, aby si se spotřebičem hrály.
- Nepoužívejte zařízení v blízkosti snadno zápalných látek.
- Spotřebič nevystavujte působení atmosférických vlivů (deště, slunce atd.) a nepoužívejte jej v podmínkách zvýšené vlhkosti (koupelny, vlhké kempové chatky).
- Pravidelně kontrolujte stav napájecího kabelu. Jestliže dojde k poškození neodpojitelného napájecího kabelu, je nutné jej v zájmu prevence rizika vyměnit u výrobce, ve specializovaném servisu nebo zajistit provedení výměny kvalifikovanou osobou.
- Nepoužívejte zařízení s poškozeným napájecím kabelem či vidlicí, jestliže zařízení spadlo nebo bylo jakkoliv jinak poškozeno či nefunguje správně. Nikdy neprovádějte opravy přístroje, hrozí nebezpečí úrazu. Poškozené zařízení odevzdejte do příslušného servisu, který provede kontrolu

či opravu. Jakékoliv opravy mohou provádět pouze autorizované servisní podniky. Nesprávně provedená oprava může vést k vážnému ohrožení uživatele.

- Používejte pouze originální příslušenství nebo příslušenství doporučená výrobcem. Používání příslušenství nedoporučených výrobcem může vést k poškození zařízení a ohrozit bezpečnost uživatele.
- Udržujte své pracoviště uklizené a dobře osvětlené.
- Nepořádek a nedostatečné osvětlení vedou k nehodám.
- Elektrické nářadí nepoužívejte v prostředí s nebezpečím výbuchu, tzn. v přítomnosti hořlavých kapalin, plynů nebo prachu.
- Chvilka nepozornosti může vést ke ztrátě kontroly nad nářadím.
- Pokud jsou k dispozici elektrická nářadí pro odsávání nebo sběr prachu, zkontrolujte, zda jsou připojeny a správně fungují. Použití takového elektrického nářadí snižuje riziko přítomnosti prachu.
- Nenaklánějte se s elektrickým nářadím příliš daleko. Udržujte stabilní polohu těla a rovnováhu. Díky tomu si zachováte lepší kontrolu nad elektrickým nářadím v nepředvídaných situacích.
- Vyhněte se nechtěnému spuštění elektrického nářadí. Před připojením elektrického nářadí k elektrické síti zkontrolujte, zda se vypínač nachází ve vypnuté poloze (OFF). Přenášení elektrického nářadí s prstem na spoušti nebo připojování elektrického proudu k síti po jeho zapnutí může vést k nehodě.
- Noste vhodné oblečení. Nepracujte ve volném oblečení a při práci nenoste šperky. Udržujte své vlasy, oděv a rukavice mimo pohyblivé části. Pohyblivé části elektrického nářadí mohou zachytit a vtáhnout volný oděv, šperky nebo dlouhé vlasy.
- Před spuštěním elektrického nářadí z něj odstraňte všechny

- klíče nebo nástroje. Nástroj nebo klíč, který je stále připojen k rotující části elektrického nářadí, může způsobit zranění.
- Při práci s elektrickým nářadím buďte opatrní, soustřeďte se na práci a používejte zdravý rozum. Nepoužívejte elektrické nářadí, jste-li unavení nebo pod vlivem drog, alkoholu nebo léků. Chvilka nepozornosti při práci s elektrickým nářadím může vést k vážné nehodě.
 - Udržujte děti mimo pracovní oblast a NEDOVOLTE dětem, aby tahaly za napájecí kabel - mohlo by to způsobit vážné zranění.
 - Před prováděním jakýchkoli úprav, výměnou příslušenství nebo před odložením elektrického nářadí otočte hlavní vypínač do polohy vypnuto, abyste nářadí odpojili od zdroje napájení. Taková preventivní opatření snižují riziko náhodného spuštění elektrického nářadí.
 - Ujistěte se, že jsou ventilační otvory bez nečistot.
 - Zařízení lze používat pouze v suchém, dobře osvětleném prostředí.
 - Toto nářadí by neměly používat osoby mladší 16 let.

Bezpečnost elektrického systému

Zařízení smí být připojeno pouze k zásuvce s charakteristikami uvedenými na typovém štítku.

Zástrčky elektrického nářadí musí odpovídat zásuvce. Nikdy žádným způsobem neupravujte zástrčku napájecího kabelu. Nemodifikovaná zástrčka, která pasuje do zásuvky, snižuje riziko úrazu elektrickým proudem.

Vyvarujte se tělesného kontaktu s uzemněnými povrchy, jako jsou potrubí, topidla, radiátory a chladničky. Pokud se dotknete uzemněných nebo zkratovaných částí, zvyšuje se riziko úrazu elektrickým proudem.

Nevystavujte elektricky napájená zařízení působení deště nebo vlhkosti. Pokud by se do elektrického nářadí dostala voda, zvyšuje se riziko úrazu elektrickým proudem.

Připojovací kabely by neměly být natažené. Nikdy

nepoužívejte napájecí kabel k přenášení, tahání nebo pohyblivých částí. Poškozené nebo zamotané napájecí kabely zvyšují riziko úrazu elektrickým proudem.

Před zahájením práce zkontrolujte napájecí kabel.

Nepokoušejte se pracovat s napájecím nebo prodlužovacím kabelem roztřepeným, přeríznutým nebo jinak poškozeným.

Pokud se během používání napájecí kabel poškodí, vypněte zařízení a vytáhněte zástrčku ze zásuvky.

Pokud je elektrické nářadí používáno venku, propojovací kabely by měly být prodlouženy vodotěsnými prodlužovacími kabely určenými pro venkovní použití. Použití takového prodlužovacího kabelu snižuje riziko úrazu elektrickým proudem. Průřez vodiče prodlužovacího kabelu by měl být alespoň $1,5 \text{ mm}^2$, pokud je délka kabelu menší než 20 m, a pokud je délka kabelu mezi 20 a 50 m, minimální průřez by měl být $2,5 \text{ mm}^2$.

Jako ochranu před úrazem elektrickým proudem použijte proudový chránič (RCD). Použití RCD snižuje riziko úrazu elektrickým proudem. Zařízení by mělo být napájeno proudovým chráničem se jmenovitým proudem nepřesahujícím 30 mA.

Všeobecné informace

Zařízení je určeno pouze pro práci v domácí zahradě v souladu s popisem a bezpečnostními pravidly obsaženými v tomto návodu k použití.

Po vypnutí sekačky se struna/nůž ještě chvíli otáčí. Počkejte až se úplně zastaví motor a struna/nůž před opětovným spuštěním zařízení.







Nezapínejte a nevypínejte sekačku v krátkých časových intervalech.

Obsluha sekačky by měla nosit správnou obuv s protiskluzovou podrážkou a dlouhé kalhoty chránící nohy. Není dovoleno pracovat naboso nebo v žabkách, sandálech.

Sekačku používejte vždy oběma rukama.

Používejte zařízení pouze během dne nebo při dobrém

umělem osvětlení.

	Přečtěte si uživatelskou příručku.		Používejte ochranu sluchu
	Všeobecné varování		Používejte ochranné rukavice.
	Nebezpečí požáru		Používejte ochranný oděv.
	Nebezpečí úrazu elektrickým proudem		Používejte ochrannou masku
	Používejte ochranné brýle		Používejte ochranu dýchacích cest:

SYMBOLY

- V návodu k použití nebo na typovém štítku náradí se mohou objevit následující symboly.
- Tyto symboly obsahují důležité informace o produktu a tipy, jak jej používat.



Je-li produkt označen tímto symbolem přeškrtnuté popelnice, podléhá produkt evropské směrnici 2012/19/EU. Seznamte se s požadavky místního systému zpětného odběru elektrických a elektronických zařízení. Postupujte v souladu s místními platnými předpisy. Výrobek nevyhazujte s běžným domácím odpadem. Odborná likvidace starého produktu předchází potenciálnímu poškození životního prostředí a zdraví.



Produkt byl vyroben z vysoce kvalitních materiálů a složek, které lze recyklovat a opakovaně používat.

POUŽÍVEJTE OSOBNÍ OCHRANNÉ PROSTŘEDKY

- Používejte ochranné brýle v souladu s normou En166
- Používejte ochranné masky v souladu s normou En149
- Používejte jiné přesné osobní ochranné prostředky v závislosti na druhu prováděné práce.

Určení:

Zahradní nářadí je určeno pro domácí použití, k vyžínání trávy a plevele, typicky ploch, které nejsou pro klasickou sekačku přístuné. Zahradní nářadí není určeno pro komerční nebo průmyslové použití.

Před spuštěním zařízení:

Zkontrolujte stav zařízení a ujistěte se, že žádný z prvků není poškozen, a že cívka vlasce nebo nůž jsou správně nainstalovány a upevněny.

Před použitím sekačky zkontrolujte, zda nejeví známky opotřebení nebo poškození, a v případě potřeby ji odevzdejte do autorizovaného servisního střediska.

Ujistěte se, že kolemjdoucí a zvířata jsou v bezpečné vzdálenosti od pracovního prostoru sekačky (nejméně 15 metrů).

V případě přerušování práce, před přemístěním na jiné pracoviště a před jakoukoli prací na elektrickém nářadí (např. seřizování nebo čištění) odpojte sekačku od sítě.

POUŽÍVEJTE OSOBNÍ OCHRANNÉ PROSTŘEDKY

- Používejte ochranné brýle v souladu s normou En166
- Používejte ochranné masky v souladu s normou En149
- Používejte jiné přesné osobní ochranné prostředky v závislosti na druhu prováděné práce.

Popis přístroje:

- | | |
|---|---|
| 1. Horní rukojeť | 9. Skříň motoru |
| 2. Tlačítko spínače | 10. Bezpečnostní kryt |
| 3. Držák kabelu | 11. Sekací hlava |
| 4. Napájecí kabel | 12. Omezovač |
| 5. Prostřední knoflík blokády (pro nastavení délky) | 13. Matice pro upevnění přídavné rukojeti |
| 6. Teleskopická trubka | 14. Montážní šroub |
| 7. Tlačítko nastavení hlavy | 15. Pomocná rukojeť |
| 8. Tlačítko nastavení úhlu náklonu | 16. Cívka |

Montáž ochranného krytu řezného zařízení (montáž ochranného krytu):

Odšroubujte svorku zajišťující bezpečnostní kryt. Nasadte kryt, nasadte upevňovací svorku a následně utáhněte šrouby.

Připojení hnacího hřídele:

Spojte obě části trubky s hnací hřídelí, dokud pojistný kolík 1 nezapadne. Utáhněte upínací matici.


Výměna cívky:

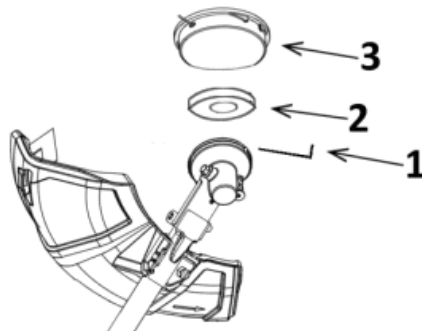
1. Zkontrolujte, zda je vypínač ve vypnuté poloze a vytáhněte zástrčku ze zásuvky.
2. Stiskněte boční západky krytu cívky, sejměte vnitřní kryt cívky, poté ji vyjměte zevnitř a nahraďte ji novou.
3. Zatlačte cívku zpět do držáku cívky a ujistěte se, že je pevně usazena na svém místě.

Montáž cívky se strunou


Odšroubujte matici, matice se odšroubovává ve směru hodinových ručiček.

Vyjměte podložku z vyraženého plechu, vyjměte distanční vložku.

Zablokujte hnací osu řezného nástavce šestihránným klíčem. Našroubujte cívku se strunou otáčením proti směru hodinových ručiček a nezapomeňte zablokovat hnací hřídel 1 šestihránným klíčem.



Montáž nože:

Odšroubujte matici, matice se odšroubovává ve směru hodinových ručiček. Vyměňte podložku z vyraženého plechu, vyměňte distanční podložku. Namontujte tříramenný nůž na osu hnacího hřídele. Nainstalujte distanční podložku a poté podložku z vylišaného plechu. Zablokujte hnací osu řezného nástavce šestihyraným klíčem. Utáhněte matici 5, pomocí dodaného klíče proti směru hodinových ručiček. Schéma: 1 šestihyraný klíč, 2 podložka, 3 tříramenný nůž, 4 distanční podložka, 5 lisovaná ocelová podložka, 6 matice.

Popruh pro přenášení:

Před prací správně přizpůsobte popruh nebo postroj (šle) uživateli

Pás by měl být nastaven tak, aby s pásem založeném na levém rameni výstupek kosy byl na úrovni pravé kyčle. Postroj si nasadte na levé rameno a ochrana kyčelního kloubu bude na pravé straně operátora, kde je místo pro zavěšení kosy. Tento kryt chrání uživatele před vibracemi pracující kosy a také chrání před kontaktem s kosou.

Sekání TRÁVY:

Nesekejte mokrou travu. Nejlepších výsledků sečení dosáhnete, pokud je tráva suchá. Prodlužovací kabel protáhněte rámem dozadu a ujistěte se, že je při sekání vždy za uživatelem.

Udržujte zařízení nakloněné pod úhlem 20 stupňů k travě, kterou sekáte, pohybujíc jím kyvadlovým pohybem doleva a doprava. Dávejte pozor, abyste zařízení drželi dál od sebe - viz obrázek.



Efektivní sekání trávy se zařízením je možné pouze na trávě nepřesahující 15 cm. Udržujte sekačku mimo dosah tvrdých předmětů. Pokud se struna nebo nůž dostane do kontaktu s tvrdým předmětem, může se struna nebo nůž zlomit nebo poškodit. Kameny mohou být vymrštěny a zasáhnout blízké předměty vysokou rychlostí a způsobit poškození. Je zakázáno používat zařízení bez bezpečnostního krytu.

Při používání sekačky nezapomeňte při práci udržovat správnou polohu těla.

SEČENÍ KOLEM KEŘŮ A STROMŮ

Při sekání trávy a plevele kolem keřů a stromů buďte velmi opatrní, aby se nedostaly do kontaktu s rotující strunou nebo nožem. Poškození kůry může mít za následek odumření stromu nebo keře.

Vysouvání struny:

Pokud je struna příliš krátká, vytáhněte ji. Zařízení je vybaveno hlavou s automatickým vysouváním. Chcete-li strunu automaticky vysunout - přitlačte cívku lehce k zemi.

Během této operace pamatujte, že příliš silné nebo příliš náhlé přitlačení cívky k zemi ji může poškodit, proto se doporučuje provést operaci ručně, aby nedošlo k poškození cívky.

Čištění, údržba:

1. Po každém použití zařízení očistěte celé zařízení od rostlinných zbytků a spodní kryt od nasbírané hmoty.
2. Větrací štěrby a kryt motoru by měly být pokud možno zbaveny prachu a nečistot. Zařízení otřete čistým hadříkem, kartáčem nebo vyfoukejte stlačeným vzduchem.
3. Doporučuje se čistit ihned po každém použití.
4. K čištění zařízení nepoužívejte žádné čisticí prostředky nebo rozpouštědla; mohou poškodit plastové části zařízení. Dávejte pozor, aby se dovnitř zařízení nedostala voda.
5. Pravidelně kontrolujte stav struny a také utažení šroubů. U nových strojů by měla být první kontrola dotažení šroubů provedena po cca 2 hodinách provozu sekačky. V případě potřeby dotáhněte všechny uvolněné šrouby.
6. Měli byste dbát na řádný stav všech součástí elektrického nářadí a nepřetěžovat zařízení nebo provádět práce, pro které není stroj určen.

Hluk a vibrace.

Hluk a vibrace byly měřeny v souladu s 2000/14/EC, 2005/88/EC .

Emise hluku: Hladina akustického tlaku (LpA): 75,51 dB(A)

Odchylka KpA: 3,00 dB (A)

Naměřená hladina akustického výkonu LwA: 95,51 dB (A)

Odchylka KwA: 0,93 dB (A)

Zaručená hladina akustického výkonu: LwA: 96,00 dB (A)

Celková hodnota vibrací a nejistota měření (K):

Hodnota vibrací působících na horní končetiny: $7,95 \text{ m/s}^2$, $k=1,5 \text{ m/s}^2$

Deklarovaná celková hodnota vibrací byla změřena podle standardní zkušební metody a lze ji použít pro srovnání

jednoho zařízení s druhým. Stanovenou hodnotu emise vibrací lze použít pro předběžné posouzení negativního vlivu.

Po každých 15 minutách práce - 15 minut přestávka.

DÔLEŽITÁ INFORMÁCIA

Ak chcete dosiahnuť najvyššiu spokojnosť, užiť si výkon produktu a naučiť sa všetky jeho vlastnosti a funkcie, prečítajte si pred použitím tohto produktu tento návod.

Pred použitím zariadenia si prečítajte návod na obsluhu a dodržujte pokyny v ňom uvedené. Výrobca neručí za škody spôsobené používaním zariadenia v rozpore s jeho určením alebo nesprávnou obsluhou.

Návod na obsluhu uschovajte tak, aby ho bolo možné použiť aj pri neskoršom použití produktu.

- Zariadenie slúži výhradne na domáce použitie. Nepoužívajte ho na iné účely, ktoré sa nezhodujú s jeho určením.
- Zariadenie pripojte len k zásuvke s uzemnením s charakteristikou zodpovedajúcou hodnotám na typovom štítku.
- Skontrolujte, či celkový príkon všetkých zariadení pripojených k nástennej zásuvke neprekračuje maximálnu záťaž poistky.
- Pokiaľ využívate predlžovaciu šnúru, skontrolujte, či celkový príkon techniky pripojenej na predlžovacej šnúre neprekračuje parametre zaťaženia predlžovacej šnúry. Kábel predlžujúcej šnúry položte tak, aby sa zamedzilo náhodným potiahnutím a zakopnutím o neho.
- Nedovoľte, aby napájací kábel visel na hrane stolu alebo police alebo aby sa dotýkal horúcich povrchov.
- Zariadenie je určené na ovládanie s pomocou externého časového spínača, samostatného diaľkového ovládača alebo iného zariadenia, ktorým možno prístroj automaticky spúšťať.
- Počas údržby zariadenie vždy bezpodmienečne odpojte od napájania.
- Pri odpájaní napájacieho kábla ho vždy vytiahnite zo zásuvky tak, že ho budete držať za zástrčku. Nikdy nevyťahujte napájací kábel ťahaním za kábel, pretože by sa mohla poškodiť zástrčka alebo kábel a v extrémnom prípade môže

dokonca dôjsť k smrteľnému úrazu prúdom.

- Je zakázané ponechávať zariadenie zapnuté a zapojené do zásuvky bez dozoru.
- Zariadenie neponárajte do vody ani do žiadnej inej kvapaliny.
- Zariadenie musí byť pravidelne čistené podľa pokynov popísaných v časti o čistení a údržbe zariadenia.
- Zariadenie neumiestňujte blízko zdrojov tepla, elektrických vykurovacích telies alebo na horúcu rúru. Neumiestňujte ho na žiadne iné zariadenia.
- Toto zariadenie môžu používať osoby s obmedzenými fyzickými, senzorickými a rozumovými schopnosťami, ako aj osoby, ktoré nemajú dostatočné vedomosti ani skúsenosti s používaním podobných zariadení, ibaže budú pod dohľadom, alebo ak budú príslušne preškolené ako sa toto zariadenie bezpečne používa a budú informovaní o potenciálnych rizikách.
- Počas používania zariadenia zachovávajte zvláštnu opatrnosť, pokiaľ sa v blízkosti nachádzajú deti alebo domáce zvieratá. Nepripusťte, aby si so zariadením hrali deti. Deti bez dohľadu nesmú vykonávať čistenie a údržbu zariadenia.
- Počas používania zariadenia zachovávajte zvláštnu opatrnosť, pokiaľ sa v blízkosti nachádzajú deti alebo domáce zvieratá. Nepripusťte, aby si so zariadením hrali deti.
- Zariadenie nepoužívajte v blízkosti horľavých materiálov.
- Zariadenie nevystavujte pôsobeniu atmosférických podmienok (dažďa, slnka atď.), ani ho nepoužívajte v podmienkach so zvýšenou vlhkosťou (kúpeľne, vlhké chaty).
- Pravidelne kontrolujte stav napájacieho kábla. Pokiaľ sa poškodil neodpojitelný kábel napájania, musí byť vymenený u výrobcu alebo v špecializovanom servise, prípadne inou kvalifikovanou osobou, aby nevzniklo nebezpečenstvo.
- Nepoužívajte zariadenie s poškodeným napájacím káblom, zástrčkou alebo pokiaľ Vám spadlo alebo bolo poškodené

- akýmkoľvek iným spôsobom, prípadne pokiaľ nepracuje správne. Zariadenie sami neopravujte, inak hrozí úraz. Poškodené zariadenie odovzdajte do príslušného servisu kvôli kontrole alebo vykonaniu opravy. Všetky opravy môžu robiť výhradne oprávnené servisy. Nesprávne urobená oprava môže pre užívateľa predstavovať vážne nebezpečenstvo.
- Používajte iba originálne príslušenstvo k zariadeniu alebo príslušenstvo odporúčané výrobcom. Používanie príslušenstva neodporúčaného výrobcom môže viesť k poškodeniu zariadenia a ohroziť bezpečnosť používania.
 - Udržujte svoje pracovisko upratané a dobre osvetlené.
 - Neporiadok a nedostatočné osvetlenie vedú k nehodám.
 - Elektrické náradie nepoužívajte v prostredí s nebezpečenstvom výbuchu, tzn. v prítomnosti horľavých kvapalín, plynov alebo prachu.
 - Chvíľka nepozornosti môže viesť k strate kontroly nad náradím.
 - Ak sú k dispozícii elektrické náradie na odsávanie alebo zber prachu, skontrolujte, či sú pripojené a správne fungujú. Použitie takéhoto elektrického náradia znižuje riziko prítomnosti prachu.
 - Nenakláňajte sa s elektrickým náradím príliš ďaleko. Udržujte stabilnú polohu tela a rovnováhu. Vďaka tomu si zachováte lepšiu kontrolu nad elektrickým náradím v nepredvídaných situáciách.
 - Vyhnite sa nechcenému spusteniu elektrického náradia. Pred pripojením elektrického náradia k elektrickej sieti skontrolujte, či sa vypínač nachádza vo vypnutej polohe (OFF). Prenášanie elektrického náradia s prstom na spúšti alebo pripájanie elektrického prúdu k sieti po jeho zapnutí môže viesť k nehode.
 - Noste vhodné oblečenie. Nepracujte vo voľnom oblečení a pri práci nenoste šperky. Udržujte svoje vlasy, odev a rukavice mimo pohyblivých častí. Pohyblivé časti elektrického náradia

- môžu zachytiť a vziať voľný odev, šperky alebo dlhé vlasy.
- Pred spustením elektrického náradia z neho odstráňte všetky kľúče alebo nástroje. Nástroj alebo kľúč, ktorý je stále pripojený k rotujúcej časti elektrického náradia, môže spôsobiť zranenie.
 - Pri práci s elektrickým náradím buďte opatrní, sústreďte sa na prácu a používajte zdravý rozum. Nepoužívajte elektrické náradie, ak ste unavení alebo pod vplyvom drog, alkoholu alebo liekov. Chvíľka nepozornosti pri práci s elektrickým náradím môže viesť k vážnej nehode.
 - Udržujte deti mimo pracovnej oblasti a **NEDOVOLTE** deťom, aby ťahali za napájací kábel - mohlo by to spôsobiť vážne zranenie.
 - Pred vykonávaním akýchkoľvek úprav, výmenou príslušenstva alebo pred odložením elektrického náradia otočte hlavný vypínač do polohy vypnuté, aby ste náradie odpojili od zdroja napájania. Také preventívne opatrenia znižujú riziko náhodného spustenia elektrického náradia.
 - Uistite sa, že sú ventilačné otvory bez nečistôt.
 - Zariadenie je možné používať iba v suchom, dobre osvetlenom prostredí.
 - Toto náradie by nemali používať osoby mladšie ako 16 rokov.

Elektrická bezpečnosť

Zariadenie pripojte výhradne iba do el. zásuvky el. obvodu, ktorého parametre sa zhodujú s parametrami, ktoré sú uvedené na výrobnom štítku.

Zástrčka elektrického náradia musí byť kompatibilná s používanou elektrickou zásuvkou. Zástrčku napájacieho kábla nikdy žiadnym spôsobom neupravujte, neprerábajte, nemeňte.

Originálne (tzn. nemoifikované) zástrčky a adekvátne elektrické zásuvky znižujú riziko zásahu el. prúdom.

Nedotýkajte sa uzemnených povrchov alebo povrchov, ktoré sú spojené s uzemnením (uzemňovacím obvodom), ako napr.

rúry, potrubia, radiátory, chladiace boxy ap. V prípade kontaktu s uzemnenými povrchmi alebo s povrchmi, ktoré sú spojené s uzemnením, riziko zásahu el. prúdom je oveľa vyššie.

Elektrické zariadenie chráňte pred zrážkami (dažďom, snehom) ako aj pred vlhkosťou. V prípade, ak do elektronáradia prenikne voda, zvyšuje sa riziko zásahu el. prúdom.

Nenapínajte prípojné káble. Napájací kábel v žiadnom prípade nepoužívajte na prenášanie, ťahanie elektronáradia, ani nevyťahujte z el. zásuvky ťahaním za kábel. Napájací kábel musí byť umiestnený v bezpečnej vzdialenosti od zdrojov tepla, olejov, ostrých hrán alebo pohyblivých častí. Poškodené alebo zamotané napájacie káble zvyšujú riziko zásahu el. prúdom.

Vždy predtým, než začnete pracovať, najprv skontrolujte napájací kábel. Nezačínajte pracovať, ak je napájací alebo predlžovací kábel predretý, prestrihnutý alebo akýmkoľvek iným spôsobom poškodený. Ak sa počas používania poškodí napájací kábel, zariadenie okamžite vypnite a vytiahnite zástrčku z el. zásuvky.

Keď elektronáradie používate vonku, môžete používať iba vodotesné predlžovacie káble, ktoré sú určené na používanie v exteriéri. Používanie predlžovacích káblov správneho typu znižuje riziko zásahu el. prúdom. Vodiče predlžovacieho kábla musia mať prierez aspoň $1,5 \text{ mm}^2$, ak je kábel kratší než 20 m, a ak je kábel dlhší, v rozpätí od 20 do 50 m, prierez aspoň $2,5 \text{ mm}^2$.

Aby ste zabezpečili náležitú ochranu pred zásahom el. prúdom, používaný el. obvod má mať vhodný prúdový chránič (RCD).

Používanie prúdového chrániča (RCD) znižuje riziko zásahu el. prúdom. Zariadenie môže byť pripojené (napájané) k el. obvodu, ktorý je chránený prúdovým chráničom, s menovitým aktivačným prúdom najviac 30 mA.

Všeobecné informácie

Toto zariadenie je určené výhradne iba na používanie, vykonávanie prác v domácich záhradách a záhradkách, v súlade s opisom a bezpečnostnými pravidlami, ktoré sú uvedené v tejto príručke.

Keď vypnete strunovú kosačku, struna/čepel ešte istý čas môže rotovať. Počkejte, kým sa motor ako aj struna/čepel úplne nezastavia, predtým než zariadenie opäť spustíte.

Strunovú kosačku nevypínajte a nezapínajte v krátkych časových odstupoch.

Operátor strunovej kosačky musí mať obutú vhodnú obuv s protišmykovou podrážkou, a oblečené dlhé nohavice na ochranu nôh. Nepracujte naboso ani v žabkách alebo sandáloch.

Strunovú kosačku vždy držte oboma rukami.

Zariadenie používajte iba počas dňa alebo pri náležitom umelom osvetlení.

SYMBOLY

- Nasledujúce symboly môžu byť uvedené v príručke, návode alebo na výrobnom štítku náradia.
- Tieto označenia obsahujú dôležité informácie o výrobku, ako aj pokyny ohľadne používania výrobku.

	Prečítajte si používateľskú príručku.		Noste ochranu uší
	Všeobecné upozornenie		Používajte ochranné rukavice.
	Nebezpečenstvo požiaru		Noste ochranný odev
	Nebezpečenstvo zásahu el. prúdom		Noste ochrannú masku
	Noste ochranné okuliare		Používajte ochranu dýchacích ciest



Pokiaľ sa na zariadení nachádza symbol preškrtnutého odpadkového koša, znamená to, že sa na tento výrobok vzťahujú ustanovenia európskej smernice 2012/19/EU. Zoznámte sa s podmienkami týkajúcimi sa miestneho systému zberu elektrického a elektronického odpadu. Postupujte v súlade s miestnymi predpismi. Tento produkt nie je možné vyhodiť spoločne s bežným domácim odpadom. Správne odstránenie starého výrobku zabraňuje prípadným negatívnym následkom na prírodné prostredie a na ľudské zdravie.



Výrobok bol vyprodukovaný z vysoko kvalitných materiálov a súčiastok, ktoré možno recyklovať a znovu použiť.

POUŽÍVAJTE OSOBNÉ OCHRANNÉ PROSTRIEDKY

- Noste ochranné okuliare v súlade s normou EN 166
- Noste ochrannú masku v súlade s normou EN 149
- Používajte iné špecifické osobné ochranné prostriedky, podľa typu vykonávanej práce.

Určenie:

Záhradné náradie je určené na domáce (neprofesionálne) používanie, na kosenie trávy a buriny, väčšinou na miestach, ktoré sa nedajú pokosiť kosačkou. Záhradné náradie nie je určené na komerčné ani priemyselné používanie.

Pred spustením zariadenia:

Skontrolujte technický stav zariadenia a uistite sa, či žiadny prvok nie je poškodený, a či je kotúč (hlavica) so strunou alebo čepeľ správne založený a upevnený. Predtým, než začnete pracovať so strunovou kosačkou, skontrolujte, či nemá príznaky opotrebovania alebo poškodenia, a keď je to potrebné, odovzdajte ju do autorizovaného servisu. Kontrolujte, či na postranné osoby ako aj zvieratá nachádzajú v bezpečnej vzdialenosti od pracovnej zóny strunovej kosačky (tzn. aspoň 15 metrov). Strunovú kosačku odpojte od el. napätia, keď robíte prestávky, pred prenesením na iné miesto, ako aj pred všetkými prácami vykonávanými na elektronáradí (napr. nastavovanie alebo čistenie).

Popis zariadenia:

- | | |
|---|---------------------------------------|
| 1. Horná rúčka | 9. Korpus motora |
| 2. Spúšť zapínača | 10. Bezpečnostný kryt |
| 3. Držiak kábla | 11. Rezná hlavica |
| 4. Napájací kábel | 12. Obmedzovač |
| 5. Stredné koliesko blokády (na nastavenie dĺžky) | 13. Upevňovacia matica pomocnej rúčky |
| 6. Teleskopická násada | 14. Montážna skrutka |
| 7. Tlačidlo nastavenia hlavice | 15. Pomocná rúčka |
| 8. Tlačidlo nastavenia uhla sklonu | 16. Cievka |

Montáž krytu reznej jednotky (montáž bezpečnostného krytu):

Odskrutkujte pásku, ktorá upevňuje bezpečnostný kryt. Založte kryt, založte upevňovaciu pásku, ktorú následne utiahnite skrutkami.

Spájanie hnacieho hriadeľa:

Spojte dve časti násady, v ktorých je umiestnený hnací hriadeľ, až kým nezapadne blokovací čap 1. Utiahnite upevňovaciu maticu.



Výmena cievky:

1. Skontrolujte, či je prepínač na vypnutej polohe, a následne vytiahnite zástrčku zo zásuvky.
2. Stlačte bočné západky krytu cievky, zložte vnútorný kryt z cievky, a potom cievku vytiahnite zvnútra a vložte novú.
3. Vtlačte cievku naspäť do držiaka cievky, uistite sa, či je dobre osadená na svojom mieste.

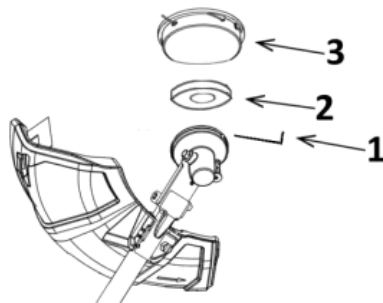
Montáž cievky so strunou



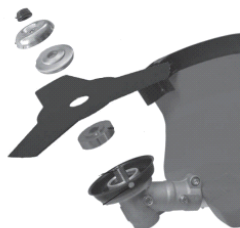
Odskrutkujte maticu, matica sa odskrutkováva v smere pohybu hodinových ručičiek.

Zložte podložku z prelisovaného plechu, zložte dištančnú podložku.

Os pohonu rezného nástroja zablokujte šesťhranným kľúčom. Zaskrutkujte cievkvu s reznou strunou otáčaním proti smeru pohybu hodinových ručičiek, pričom nezabudnite, aby ste zablokovali hnací hriadeľ 1 šesťhranným kľúčom.



Montáž čepele:



Odskrutkujte maticu, matica sa odskrutkováva v smere pohybu hodinových ručičiek. Zložte podložku z prelisovaného plechu, zložte dištančnú podložku. Na os hnacieho hriadeľa namontujte trojramenný nôž. Namontujte dištančnú podložku, následne podložku z prelisovaného plechu. Os pohonu rezného nástroja zablokujte šesťhranným kľúčom. Zaskrutkujte maticu 5, použite v súprave dodaný kľúč, ktorý krúťte proti smeru hodinových ručičiek. Schéma: 1 šesťhranný kľúč, 2 podložka, 3 trojramenný nôž, 4 dištančná podložka, 5 podložka z prelisovaného plechu, 6 matica.

Nosný popruh:

Popruh nastavte nasledovne: preložte popruh cez ľavé rameno, hák popruhu upevnite k násade krovinoresu, ktorý sa musí nachádzať približne vo výške pravého bedra. Postroj sa zakladá na ľavé rameno a bedrový chránič bude umiestnený na pravej strane operátora, na mieste, kde sa nachádza bod zavesenia krovinoresu. Tento kryt chráni používateľa pred vibráciami pracujúceho krovinoresu, a tiež chráni pred kontaktom s krovinoresom.

KOSENIE TRÁVY:

Nekoste mokrávnu. Najlepšie výsledky kosenia dosiahnete, keď je tráva suchá. Predlžovací kábel preložte cez rameno dozadu, pričom dávajte pozor, aby bol počas kosenia vždy za operátorom. Zariadenie držte pod uhlom 20 stupňov voči rovine kosenej trávy, kosačku presúvajte vahadlovým pohybom, vľavo a vpravo. Dávajte pozor, aby sa zariadenie vždy nachádzalo ďalej – pozrite obrázok.



Tráva sa dá efektívne kosiť vtedy, keď má výšku aspoň 15 cm. Krovinores nepribližujte k tvrdým predmetom. V prípade, keď dôjde ku kontaktu struny alebo čepele s tvrdým predmetom, struna alebo čepeľ sa môžu poškodiť. Kamene môžu byť vymrštené s vysokou rýchlosťou a udrieť s veľkou silou do predmetov v okolí, následkom čoho sa môžu poškodiť. Zariadenia v žiadnom prípade nepoužívajte bez bezpečnostného krytu.

Pri používaní strunovej kosačky nezabúdajte, aby ste počas práce vždy stáli správnym spôsobom.

KOSENIE OKOLO KRÍKOV A STROMOV

Pri kosení trávy a buriny okolo kríkov a stromov, postupujte mimoriadne opatrne, dávajte pozor, aby nedošlo ku kontaktu s rotujúcou strunou alebo čepeľou. Následkom poškodenia kôry môže viesť k smrti stromu alebo kríka.

Vysúvanie struny:

Ak je struna príliš krátka, vysuňte ju. Zariadenie má hlavicu s automatickým vysúvaním. Keď chcete automaticky vysunúť strunu – jemne pritlačte cievku k zemi.

Počas tejto činnosti nezabúdajte, že ak cievku stlačíte k zemi príliš silno alebo prudko, môže sa poškodiť, preto odporúčame, aby ste tú činnosť vykonali ručne, aby nedošlo k poškodeniu cievky.

Čistenie, údržba:

1. Po každom použití zariadenia vyčistite celé zariadenie, odstráňte zvyšky rastlín, a z dolného krytu odstráňte nahromadenú, ubitú hmotu.
2. Vetracie otvory a plášť motora musia byť, nakoľko je to možné, bez prachu a nečistôt. Zariadenie utierajte čistou handričkou, štetcom, kefou, alebo vyfúkajte stlačeným vzduchom.
3. Odporúčame, aby ste zariadenie čistili ihneď po každom použití.
4. Na čistenie zariadenia nepoužívajte žiadne čistiace prostriedky ani rozpúšťadlá; môžu poškodiť časti zariadenia, ktoré sú vyrobené z plastu. Zabráňte, aby do zariadenia prenikla voda.
5. Pravidelne kontrolujte stav reznej struny, a či sú náležite dotiahnuté skrutky. V prípade nových

zariadení, prvú kontrolu utiahnutia skrutiek vykonajte približne po cca 2 hodinách používania strunovej kosačky. Keď je to potrebné, uvoľnené skrutky utiahnite.

6. Starajte sa o správny stav všetkých prvkov elektronáradia, a zariadenie nepreťažujte ani nevykonávajte práce, na vykonávanie ktorých zariadenie nie je určené.

Elektrický krovínorez

Typ motora: elektrický, kefový

Príkonnosť motora: 1400 W

Uhlová rýchlosť: 7500 rpm.

Priemer kosenia strunou: 420 mm

Druh a typ hlavice: poloautomatická / dvojité struna

Odporúčaný priemer struny : od 1,6 mm do 2,0 mm

Hluk a vibrácie.

Hluk a vibrácie boli merané v súlade s 2000/14/EC, 20005/88/EC .

Hlučnosť: Úroveň akustického tlaku LpA: 75,51 dB (A)

Odchýlka (nepresnosť) KpA: 3,00 dB (A)

Nameraná úroveň akustického výkonu LwA: 95,51 dB (A)

Odchýlka (nepresnosť) KwA: 0,93 dB (A)

Zaručená úroveň akustického tlaku: LwA: 96,00 dB (A)

Celková hodnota vibrácií a odchýlka (nepresnosť) merania (K):

Hodnota vibrácií pôsobiacich na horné končatiny: $7,95 \text{ m/s}^2$, $k = 1,5 \text{ m/s}^2$

Deklarovaná celková hodnota vibrácií bola meraná štandardnou testovacou metódou a môže sa používať na porovnanie

jedno náradia/zariadenie s druhým. Uvedená hodnota emisií vibrácií sa môže používať na predbežný odhad negatívnych vplyvov.

Po každých 15 minútach práce – 15 minútová prestávka.

FONTOS INFORMÁCIÓK

A legnagyobb elégedettség elérése, a termék teljesítményének élvezete, valamint a termék összes jellemzőjének és funkciójának megismerése érdekében kérjük, a termék használata előtt olvassa el ezt a kézikönyvet.

A készülék használata előtt olvassa el a kezelési útmutatót, és kövesse az abban foglalt utasításokat. A gyártó nem vállal felelősséget a készülék rendeltetésétől eltérő használatából vagy helytelen kezeléséből eredő károkért.

A kezelési útmutatót meg kell őrizni, hogy a termék későbbi használata során is felhasználható legyen.

- A készülék kizárólag háztartási használatra alkalmas. Más, nem rendeltetészerű célokra nem használható.
- A készüléket az adattáblán feltüntetett értékeknek megfelelő aljzatba csatlakoztassa.
- Győződjön meg arról, hogy az aljzatba csatlakoztatott berendezések teljes áramfelvétele nem haladja meg a biztosíték maximális teljesítményét.
- Amennyiben hosszabbítót vesz igénybe, ellenőrizze, hogy a hosszabbítóhoz csatlakoztatott berendezések teljes áramfelvétele nem haladja meg a hosszabbító teljesítményének paramétereit. A hosszabbító vezetékét helyezze el úgy, hogy véletlen ne lehessen rálépni vagy megbotlani.
- Ne engedje, hogy a tápvezeték az asztal vagy pult szélén lelógjon, illetve forró felülethez érjen.
- A készüléket külső időzített kapcsolóval, külön távirányítóval vagy egyéb, a berendezés automatikus kapcsolását biztosító készülékkel nem használható.
- Karbantartás előtt mindig és feltétlenül, a csatlakozódugót húzza ki az aljzataból.
- A tápvezetéket az aljzataból mindig a csatlakozódugónál tartva húzza ki. A tápvezetéket az aljzataból vezetéknél fogva sose húzza, mivel a csatlakozódugó vagy a vezeték

megsérülhet,

- szélsőséges esetekben halállal járó áramütést okozhat.
- Soha ne hagyja a készüléket felügyelet nélkül, amíg csatlakoztatva van az aljzathoz.
- A készüléket vízbe vagy egyéb folyadékba ne merítse.
- A készüléket a Tisztítás és karbantartás részben foglaltak szerint, rendszeresen tisztítsa.
- A készüléket hőforrás, láng, elektromos fűtőelem közelében vagy forró sütőre ne helyezze. A készüléket egyéb más berendezésre ne tegye.
- A készüléket és a tápkábelt gyermekektől tartsa távol. A készüléket használhatják fizikai, érzékszervi vagy mentális fogyatékossgal rendelkező, valamint a hasonló típusú készülékek használata terén tapasztalattal és tudással nem rendelkező személyek, amennyiben felügyelet alatt állnak, vagy utasításokkal és információkkal látják el őket a készülék biztonságos használatát, valamint a fennálló veszélyeket illetően.

Gyermekeknek tilos a készülékkel játszani. Felügyelet nélkül a gyermekek a készülék tisztítását és karbantartását nem végezhetik.

- Különös óvatossággal használja a készüléket, ha a közelben gyermekek vagy háziállatok tartózkodnak. Ne engedje, hogy a gyermekek a készülékkel játszanak.
- A készüléket gyúlékony anyagok közelében ne használja.
- A készüléket kültéri behatások (eső, nap, stb.) előtt védje, valamint magas páratartalmú helyiségekben ne használja (fürdőszoba, nyirkos faházak).
- A tápvezeték állapotát rendszeresen ellenőrizze. Amennyiben leválaszthatatlanul rögzített tápkábel hibásodik meg, a veszély elkerülése érdekében kizárólag a gyártó, szakosodott szakszerviz vagy szakképesítéssel rendelkező személy cserélheti ki.
- Hibás tápvezetékekkel vagy csatlakozódugóval, illetve ha a

készülék leesett, más módon megsérült vagy nem megfelelő módon üzemel, a készüléket sosem vegye használatba. A készüléket önállóan ne javítsa, áramütést okozhat. A hibás készüléket ellenőrzés vagy javítás céljával megfelelő szakszervizben adja le. A készüléket kizárólag erre jogosult szervizek javíthatják. A nem megfelelőképpen végzett javítás a felhasználó számára komoly kockázatot jelent.

- A készülékhez kizárólag eredeti vagy a gyártó által ajánlott kellékeket használjon. A gyártó által nem ajánlott kellékek használata a készülék meghibásodását okozhatja és a felhasználó biztonságát veszélyezteti.
- Tartsa rendben és jól megvilágítva a munkahelyét.
- A rendetlenség és a nem megfelelő világítás balesetekhez vezethet.
- Ne használjon elektromos szerszámokat robbanásveszélyes környezetben, azaz gyúlékony folyadékok, gázok vagy por jelenlétében.
- Egy pillanatnyi figyelmetlenség a szerszám feletti uralom elvesztését kockáztatja.
- Ha van lehetőség porszívó vagy porgyűjtő elektromos szerszámok felszerelésére, ellenőrizze, hogy azok fel vannak-e szerelve és megfelelően működnek-e. Az ilyen elektromos szerszámok használata csökkenti a por jelenléte által jelentett kockázatot.
- Ne dőljön túlságosan rá az elektromos kéziszerszámmra. Tartsa meg a stabil testtartását és az egyensúlyát. Ez segíthet abban, hogy előre nem látható helyzetekben jobban kézben tarthassa az elektromos szerszámot.
- Kerülje az elektromos szerszám akaratlan elindítását. Győződjön meg róla, hogy a hálózati kapcsoló OFF állásban van, mielőtt az elektromos szerszámot a hálózatra csatlakoztatja. Balesethez vezethet, ha az elektromos szerszámot úgy viszi, hogy az ujja a gombon van, vagy ha bekapcsolás után dugja be az elektromos szerszámot.

- Viseljen megfelelő ruházatot. Ne dolgozzon laza ruhában, és ne viseljen ékszereket munka közben. Tartsa távol a haját, a ruházatot és a kesztyűt a mozgó alkatrészekről. Az elektromos szerszám mozgó részei megragadhatják és behúzhatják a laza ruhadarabokat, ékszereket vagy a hosszú haját.
- Elindítás előtt távolítsa el a villanykulcsokat vagy szerszámokat az elektromos eszközből. Az elektromos szerszám forgó részéhez még mindig csatlakoztatott szerszám vagy kulcs személyi sérülést okozhat.
- Legyen óvatos, amikor elektromos szerszámokkal dolgozik, koncentráljon a munkájára, és józan ésszel járjon el. Ne használjon elektromos szerszámot fáradtan, illetve kábítószer, alkohol vagy gyógyszer hatása alatt. Egy pillanatnyi figyelmetlenség is súlyos balesethez vezethet az elektromos szerszámmal végzett munka során.
- Tartsa távol a gyerekeket a munkaterülettől, és NE engedje, hogy a gyerekek meghúzzák a tápkábelt - ez súlyos sérülést okozhat.
- Mielőtt bármilyen beállítást elvégezne, tartozékot cserélne vagy tárolná az elektromos szerszámot, állítsa a kapcsolót kikapcsolt állásba, hogy az elektromos szerszámot leválassza az áramforrásról. Az ilyen óvintézkedések csökkentik az elektromos szerszám véletlen elindításának kockázatát.
- Győződjön meg arról, hogy a szellőzőnyílásokban nincsenek lerakódások.
- A készüléket csak száraz, jól megvilágított környezetben szabad használni.
- Ezt az eszközt 16 év alattiak nem használhatják.

Elektromos biztonság

A készüléket az adattáblán feltüntetett értékeknek megfelelő aljzatba csatlakoztassa.

A szerszám dugójának illeszkednie kell az elektromos aljzatba.

Soha ne módosítsa a tápkábel csatlakozóját semmilyen módon. A nem módosított csatlakozók és a megfelelő elektromos aljzatok csökkentik az elektromos áramütés kockázatát.

Kerülje a földelt vagy földzárlatos készülékek, pl. csövek, fűtőtestek, radiátorok, hűtőszekrények megérintését. A földelt vagy földzárlatos alkatrészek érintése növeli az elektromos áramütés kockázatát.

Ne tegye ki a terméket eső vagy nedvesség hatásának. Ha víz kerül a szerszámba, nő az áramütés veszélye.

Ne feszítse meg a csatlakozókábeleket. Soha ne a kábelnél fogva hordozza vagy húzza az elektromosan működtetett készüléket és ne a kábelnél fogva húzza ki a dugót a konnektorból. Tartsa távol a csatlakozókábelt a hőforrásoktól, az olajtól, az éles peremektől és a mozgó alkatrészekről. A sérült vagy összegabalyodott kábelek növelik az elektromos áramütés kockázatát.

A munka megkezdése előtt ellenőrizze a tápkábelt. Ne használja a készüléket, ha a tápkábel vagy a hosszabbító kopott, vágott vagy egyéb módon sérült. Ha a tápkábel megsérül a használat során, kapcsolja ki a készüléket, és húzza ki a konnektorból.

A szerszám kültéri használata esetén a csatlakozókábeleket vízálló hosszabbítóval kell meghosszabbítani. Ilyen hosszabbító használata csökkenti az elektromos áramütés kockázatát. A hosszabbító kábelének keresztmetszete legalább $1,5 \text{ mm}^2$ legyen, ha a kábel hossza kisebb, mint 20 m, és ha a kábel hossza 20 és 50 m között van, a minimális keresztmetszet $2,5 \text{ mm}^2$ legyen.

A hálózati feszültség okozta áramütés elleni védelemként áram-védőkapcsolót (RCD) kell használni. Az RCD használata csökkenti az áramütés kockázatát. A berendezést legfeljebb 30 mA névleges áramerősségű árammegszakítóval kell ellátni.

Általános információ

Ez a készülék kizárólag a jelen használati útmutatóban leírtak szerint használható, kerti munkák során.

A szegélynyíró kikapcsolása után a damil/kés még egy ideig forog. Várja meg, hogy teljesen megálljon a motor és damil/tárcsa, mielőtt ismét bekapcsolná a készüléket.

Ne kapcsolja be és ki a fűnyírót rövid időközönként.

A lábak védelme érdekében a szegélynyíró kezelőjének megfelelő, csúszásmentes talpú cipőt és hosszú szárú nadrágot kell viselnie. Ne dolgozzon mezítláb, papucsban vagy szandálban.

A szegélynyírót mindig két kézzel használja.

Csak nappal vagy jó mesterséges megvilágítás mellett használja a készüléket.

SZIMBÓLUMOK

- A használati utasításban vagy a szerszám adattábláján a következő szimbólumok jelenhetnek meg.
- Ezek a jelölések fontos információkat tartalmaznak a termékkel és a használati útmutatóval kapcsolatban.

	Olvassa el a használati útmutatót.		Viseljen fülvédőt
	Általános figyelmeztetés		Használjon védőkesztyűt
	Tűzveszély		Viseljen védőruházatot
	Áramütés veszélye		Viseljen védőmaszkot
	Viseljen védőszemüveget		Viseljen légszűrő készüléket



Amennyiben a berendezésen áthúzott szemeteskosár jelölés található, a termék a 2012/19/EU irányelv rendelkezései hatálya alá tartozik. Kérjük, ismerkedjen meg a helyi elektromos és elektronikus hulladékgyűjtési rendszer szabályaival. A helyi előírások szerint járjon el. A terméket háztartási hulladékokkal együtt nem dobja ki. Az elhasznált termék megfelelő ártalmatlanításával a természetre és emberi egészségre gyakorolt esetleges káros hatásait akadályozza meg.



A termék kiváló minőségű, újrahasznosítható anyagokból és alkatrészekből készült.

HASZNÁLJON SZEMÉLYI VÉDŐFELSZERELÉST

- Viseljen az EN166 szabványnak megfelelő védőszemüveget
- Viseljen az EN149 szabványnak megfelelő védőmaszkot
- Az elvégzett munka típusától függően használjon más precíziós személyi védőeszközt.

Rendeltetés:

A kerti szerszámot otthoni használatra tervezték, fű és gyom nyírására, általában olyan helyeken, amelyekhez a fűnyíró nem fér hozzá. A kerti szerszám nem használható kereskedelmi vagy ipari célokra.

A készülék elindítása előtt:

Ellenőrizze a gép műszaki állapotát, és győződjön meg arról, hogy egyik alkatrész sem sérült meg, és hogy a damilorsó vagy a penge megfelelően van felszerelve és rögzítve.

A szegélynyíró használata előtt ellenőrizze, hogy nem láthatók-e rajta elhasználódás vagy sérülés jelei, és szükség esetén adja le a terméket hivatalos márkaszervizben.

Ellenőrizze, hogy a közelben tartózkodó személyek és állatok biztonságos távolságban vannak-e a szegélynyíró munkaterületétől (legalább 15 méter).

A munkavégzés szüneteltetésekor a szegélynyírót le kell választani az áramellátásról, mielőtt áthelyezné azt máshová, és mielőtt bármilyen munkát végezne a szerszámon (pl. beállítás vagy tisztítás).

Termékleírás:

- | | |
|--|--------------------------------------|
| 1. Felső fogantyú | 9. Motorház |
| 2. Kapcsolóavasz | 10. Biztonsági védőelem |
| 3. Kábeltartó | 11. Vágófej |
| 4. Tápkábel | 12. Ütköző |
| 5. Középső reteszelőgomb (hosszbeállításhoz) | 13. Segédfogantyú rögzítő anyacsavar |
| 6. Teleszkópcső | 14. Rögzítőcsavar |
| 7. Fejbeállító gomb | 15. Segédfogantyú |
| 8. Dőlésszög-beállító gomb | 16. Orsó |

A vágóegység burkolatának felszerelése (a biztonsági burkolat felszerelése):

Csavarja le a biztonsági védőburkolatot rögzítőszalagot. Helyezze vissza a fedelet, rögzítse a rögzítőszalagot, amelyet ezután csavarokkal meg kell húzni.

A hajtótengely csatlakoztatása:

Rögzítse egymáshoz a cső két részét, amelyekben a hajtótengely található, amíg az 1. reteszelőcsap be nem ugrik a helyére. Húzza meg a rögzítőanyát.



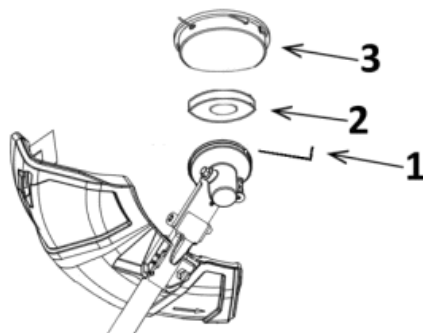
Az orsó cseréje:

1. Ellenőrizze, hogy a kapcsoló kikapcsolt helyzetben van-e, és húzza ki a dugót a konnektorból.
2. Nyomja meg az orsófedél oldalsó reteszzeit, távolítsa el a belső fedelet az orsóról, majd vegye ki az orsót belülről, és cserélje ki.
3. Tolja be az orsót az orsótartóba, ügyelve arra, hogy az megfelelően a helyére kerüljön.

Damilorsó rögzítése



Csavarja ki az anyát az óramutató járásával megegyező irányban. Távolítsa el az alátétet a préselt lemezről, és távolítsa el a távtartó alátétet. Rögzítse a vágóegység hajtótengelyét egy dugókulccsal. Csavarja be a damilorsót úgy, hogy az óramutató járásával ellentétes irányba csavarja, és ne felejtse el lezárni az 1-es hajtótengelyt a dugókulccsal.



Penge rögzítése:



Csavarja ki az anyát az óramutató járásával megegyező irányban. Távolítsa el az alátétet a préselt lemezről, és távolítsa el a távtartót. Szerelje fel a háromágú kést a hajtótengelyre. Szerelje fel a távtartót, majd szerelje fel a préselt lemez alátétet. Rögzítse a vágóegység hajtótengelyét egy dugókulccsal. Csavarja be az 5-ös anyát a mellékelt kulccsal az óramutató járásával ellentétes irányba. Séma: 1 db dugókulcs, 2 db alátét, 3 db háromágú kés, 4 db távtartó alátét, 5 db préselt fémlemez alátét, 6 db anya.

Teherhordó öv:

A munka megkezdése előtt állítsa be megfelelően a biztonsági övet vagy a hevedert. Az övet úgy kell beállítani, hogy az öv a bal vállon legyen, és az övhorog a jobb csípő magasságában legyen rögzítve. A hevedert a bal vállra kell felvenni, a csípővédő pedig a kezelő jobb oldalán fog elhelyezkedni, ahol a fűkasza felfüggesztési pontja található. Ez a burkolat védi a felhasználót a gép rezgéseitől, valamint a kaszával való érintkezéstől.

FÜNYÍRÁS:

Ne nyírjon nedves fűvet. A legjobb nyírási eredmény akkor érhető el, ha a fű száraz. A hosszabbító zsinórt hátrafelé kell elvezetni, ügyelve arra, hogy mindig a felhasználó mögött legyen vágás közben. Tartsa a gépet 20 fokos szögben a vágott fűhöz képest, és mozgassa inga mozgással balra és jobbra. Ügyeljen arra, hogy a készüléket tartsa távol a testétől - lásd a képet.



Hatékony fűnyírás csak 15 cm-nél nem nagyobb fű esetén lehetséges. Tartsa távol a szegélynyírót a kemény tárgyaktól. Ha a damil vagy a penge kemény tárggyal érintkezik, a damil elszakadhat vagy a penge sérülhet. A kövek kidobásra kerülhetnek, és a környező tárgyakba ütközhetnek nagy sebességgel, ezáltal kárt okozva. Tilos a készüléket védőburkolat nélkül használni. A szegélynyíró használatakor ügyeljen a megfelelő testtartásra.

BOKROK ÉS FÁK NYÍRÁSA

Fű és gyom bokrok és fák közelében való nyírásakor különösen ügyelni kell arra, hogy azok ne érintkezzenek a forgó damillal vagy pengével. A kéreg károsítása a fa vagy bokor elhalásához vezethet.

Damil kihúzása:

Ha a damil túl rövid, húzza ki. A készülék automatikus előtollóval ellátott fejjel rendelkezik. A vezeték automatikus előtollásához nyomja hozzá az orsót enyhén a talajhoz. A művelet során szem előtt kell tartani, hogy a tekercs túl erős vagy túl hirtelen megütése károsíthatja az orsót, ezért javasoljuk, hogy a műveletet kézzel végezze el a tekercs károsodásának megelőzése érdekében.

Tisztítás és karbantartás:

1. Az eszköz minden egyes használata után tisztítsa meg a teljes eszközt a növényi maradványoktól és az alsó fedelet az összegyűlt, tömörített fűtől.
2. A szellőzőnyílásoknak és a motorháznak mindig por- és szennyeződésmentesnek kell lenniük, amennyire csak lehetséges. Törölje le a készüléket tiszta ronggyal, kefével vagy fújja le sürített levegővel.
3. Javasolt a készülék minden használat utáni, azonnali megtisztítása.
4. Ne használjon tisztítószereket vagy oldószereket a készülék tisztításához; ezek károsíthatják a

- készülék műanyag alkatrészeit. Ügyeljen rá, hogy ne kerüljön víz a készülékbe.
5. Rendszeresen ellenőrizze a vágódamil állapotát, valamint a csavarok meghúzását. Új gépek esetén a csavarok első meghúzási ellenőrzését a szegélynyíró kb. 2 órás működése után kell elvégezni. Szükség esetén húzza meg a meglazított csavarokat.
 6. Ügyeljen a szerszám valamennyi alkatrészének megfelelő állapotára, valamint arra, hogy ne terhelje túl a készüléket, és ne végezzen olyan munkát, amelyre a gép nem alkalmas

Elektromos fűkasza

Motortípus: elektromos, szénkefés

Motor teljesítménye: 1400 W

Fordulatszám: 7500 rpm

A damil vágási átmérője: 420 mm

Fej változata és típusa: félautomata / dupla damil

Ajánlott damilátmérő: 1,6 mm-től 2,0 mm-ig

Zaj és rezgés.

A zaj és a rezgés mérése az 2000/14/EC, 2005/88/EC szabvány szerint történt.

Zajkibocsátás: Hangnyomásszint LpA: 75,51 dB (A)

KpA eltérés: 3,00 dB (A)

Mért LwA-hangteljesítményszint: 95,51 dB (A)

KwA eltérés: 0,93 dB (A)

Garantált zajnyomás: LwA: 96,00 dB (A)

Teljes rezgésérték és mérési bizonytalanság (K):

Felső végtag rezgési értéke: $7,95 \text{ m/s}^2$, $k=1,5 \text{ m/s}^2$

A megadott rezgési összértéket a szabványos vizsgálati módszer szerint mérik, és eszközök összehasonlításra alkalmas.

Az adott rezgés kibocsátási érték felhasználható a negatív hatás előzetes becslésére.

Minden 15 perc üzemelés után – 15 perc szünet.

POMEMBNE INFORMACIJE

Prosimo, da za zagotovitev kar največjega zadovoljstva z napravo in njeno učinkovitostjo ter v cilju seznanitve z vsemi njenimi značilnostmi in funkcijami, pred začetkom dela z napravo preberete ta navodila za uporabo.

Pred začetkom uporabe naprave preberite navodila za uporabo in ravnajte skladno z v njih vsebovanimi navodili in opozorili.

Proizvajalec ne odgovarja za nobeno škodo, nastalo zaradi uporabe naprave neskladno z njeno namembnostjo ali na nepravilen način.

Navodila za uporabo je treba varno shraniti, da bodo na voljo, če bodo morebiti potrebna v zvezi s kasnejšo uporabo izdelka.

- Naprava je namenjena uporabi izključljivo v gospodinjstvu. Uporabljati napravo izključljivo v skladu z namenom.
- Napravo se sme priključiti le na vtičnico, ki odgovarja opisu na podatkovni ploščici.
- Preveriti je treba, ali skupna poraba toka naprav, ki so priklopljene na stensko vtičnico ne presega maksimalne obremenitve varovalke.
- Le se uporablja podaljšek, je treba preveriti, ali skupna poraba moči naprav, ki so priklopljene na podaljšek, ne presega parametrov obremenitve podaljška. Žico podaljška je treba namestiti na način, ki izključuje naključno spotikanje.
- Napajalna žica ne sme biti obešena na robu mize ali police, isto tako ne sme se dotikati vročih površin.
- Napravo se ne sme upravljati z zunanjim časovnim stikalom, daljinskim upravljalnikom oz. drugo opremo, ki napravo lahko avtomatsko izklopi.
- Pred začetkom vzdrževalnih del je treba napravo nujno izklopiti iz napajanja.
- Med odstranjevanjem napajalne žice je treba vedno držati za vtičnico. Nikoli
- ne vleci za kabel, ker na ta način se lahko poškoduje vtičnica

- oz. kabel, v skrajnih primerih pa celo pride do smrtonosnega električnega udara.
- Ko je naprava priklopljena na vtičnico, je ne smete pustiti brez nadzora.
- Naprave na dati v vodo ali kakšno drugo tekočino.
- Napravo je treba redno čistiti, skladno s priporočili, ki jih določa poglavje o Čiščenju in vzdrževanju.
- Naprave na nameščati v bližini virov toplote, plamena, električnega grelca oz. na vroči pečici. Naprava se ne sme nahajati na kakšni drugi napravi.
- Naprava se ne sme nahajati na kakšni drugi napravi. Naprave ne smejo uporabljati otroci. Skupaj s kablom jo hranite zunaj dosega otrok. Napravo lahko uporabljajo osebe z omejeno fizično, čutno ali duševno sposobnostjo pa tudi osebe, ki niso usposobljene za uporabo oz. nimajo izkušenj uporabe tovrstnih naprav, in sicer pod pogojem, da bodo nadzorovane oz. da jim bodo razloženi uporaba te naprave na varen način ter morebitna tveganja.
- Če so v bližini naprave ali hišni ljubimčki, je treba med uporabo aparata biti posebno pozoren. Otroki se ne smejo igrati z napravo.
- Naprave ne uporabljati v bližini vnetljivih snovi.
- Naprave ne izpostavljati vremenskim razmerjem (dež, sonce in drugo) ter ne uporabljati v pogojih povišane vlažnosti (kopalnica, vlažne kemping hiše).
- Občasno je treba preveriti stanje napajalne žice. V primeru, ko pride do poškodbe napajalne žice, jo je treba zamenjati pri proizvajalcu oz. v pooblaščenem servisnem podjetju, da se preprečijo morebitne nevarnosti.
- Ne uporabljati naprave, ko sta napajalna žica ali vtičnica pokvarjena, ko je naprava na katerikoli drugi način poškodovana oz. njeno delovanje ni pravilno. Naprave ne popravljajte sami (nevarnost električnega udara). Poškodovano napravo dostavite v pristojno servisno

podjetje, kjer bo le-ta pregledana in po potrebi popravljena. Kakršnakoli popravila naj opravljajo samo pooblaščen servisna podjetja. Neustrezno popravilo predstavlja veliko nevarnost za uporabnika.

- Uporabljajte samo originalne oz. s strani proizvajalca priporočene dodatke in pripomočke. Uporaba neustreznih dodatkov lahko privede do poškodbe naprave ter nevarnosti za človekovo zdravje.
- Skrbite za red na delovnem mestu in za njegovo dobro osvetljenost.
- Nered in nezadostna osvetljenost sopovzročata nesreče.
- Ne uporabljajte električnega orodja v potencialno eksplozivnem okolju, tj. v bližini vnetljivih tekočin, plinov ali prahu.
- Trenutek nepazljivosti lahko povzroči izgubo kontrole nad orodjem.
- Če obstaja možnost montaže orodja za odsesavanje ali zbiranje prahu, preverite, ali so ta orodja nameščena in ali pravilno delujejo. Uporaba takšnih dodatnih električnih orodij zmanjša nevarnost, ki jo ustvarja prisotnost prahu.
- Ne nagibajte se predaleč z električnim orodjem v rokah. Ohranjajte stabilno držo in ravnotežje. Tako boste ohranili kontrolo nad električnim orodjem v nepredvidenih situacijah.
- Preprečujte možnost nenamernega zagona električnega orodja. Pred priklopom električnega orodja na električno omrežje se prepričajte, da je vklopno stikalo v položaju OFF. Prenašanje električnega orodja s prstom na sprožilcu ali priklop električnega orodja na omrežje po predhodnem vklopu stikala na napravi lahko povzroči nesrečo.
- Nosite primerna oblačila. Za delo ne uporabljajte ohlapnih oblačil in med delom ne nosite nakita. Držite lase, oblačila in rokavice stran od gibljivih delov. Premični deli električnega orodja lahko zagrabijo za dele takih ohlapnih

- oblačil, za nakit ali dolge lase ter jih potegnejo v napravo.
- Pred zagonom električnega orodja odstranite iz njega vse ključe. Orodje ali ključ, ki ostane priklopljen na vrtljivi del električnega orodja, lahko povzroči telesne poškodbe.
 - Pri delu z električnim orodjem bodite previdni, osredotočeni na izvajano delo ter miselno in zdravorazumsko prisotni. Ne sme se uporabljati električnega orodja v primeru utrujenosti ali pod vplivom drog, alkohola ali zdravil. En sam trenutek nepazljivosti med uporabo električnega orodja lahko povzroči hudo nesrečo.
 - Skrbite za to, da bodo otroci stran od delovnega območja in NE dovoljajte, da bi otroci vlekli za napajalni kabel – to lahko povzroči hude telesne poškodbe.
 - Pred izvedbo kakršne koli ponastavitve, menjave pribora ali pred odložitvijo električnega vedno prej izklopite napravo s stikalom, da lahko potem električno orodje odklopite od vira napajanja. Takšno previdnostno ravnanje zmanjša nevarnost nenamerne zagona električnega orodja.
 - Prepričati se je treba, da v prezračevalnih odprtinah ni usedlin.
 - Napravo se sme uporabljati samo v suhem, dobro osvetljenem okolju.
 - Tega orodja ne smejo uporabljati osebe, mlajše od 16 let.

Električna varnost

Napravo se sme priključiti le na vtičnico, ki odgovarja opisu na podatkovni ploščici.

Vtič električnega orodja se mora ujemati z električno vtičnico. Nikoli in na nobeden način ne spreminjajte konstrukcije vtiča. Originalni vtiči in primerne električne vtičnice omejujejo tveganje električnega udara.

Izogibajte se stiku z ozemljenimi površinami oz. površinami, zavarovanimi pred kratkim stikom, kot so cevi, grelci, radiatorji in hladilniki. V primeru stika z ozemljeno površino oz. površino

zavarovano pred kratkim stikom se poveča tveganje električnega udara.

Ne izpostavljajte naprav z električnim pogonom dežju ali vlagi. Ko voda prodre v električno orodje, raste tveganje električnega udara.

Ne napenjajte priključnih kablov. Ne uporabljajte priključnega kabla za prenašanje ali vlečenje naprave z električnim pogonom. Ne vlecite za kabel, ko hočete odklopiti napravo iz napajanja. Priključni kabel držite stran od virov toplote, olj, ostrih robov in premičnih delov. Poškodovanju ali zataknenju kablov povečajo tveganje električnega udara.

Pred začetkom del preverite stanje priključnega kabla. Ne začenjajte z delom, če sta napajalni kabel ali podaljšek pretrgana, prerezana ali na kateri koli drug način poškodovana. Če se napajalni kabel poškoduje med delom, takoj izklopite napravo in povlecite vtič iz omrežne vtičnice.

Če električno orodje uporabljate na prostem, podaljšajte priključne kable s pomočjo podaljškov. Podaljški morajo biti neprepustni za vodo in primerni za delo na prostem. Z uporabo tovrstnega podaljška zmanjšate tveganje električnega udara. Premer jedra podaljška mora biti najmanj $1,5 \text{ mm}^2$, če je dolžina kabla manjša od 20 m, pri dolžini kabla med 20 in 50 m pa najmanjši premer $2,5 \text{ mm}^2$.

Kot zaščito pred električnim udarcem uporabite odklopnik na preostali tok (RCD). Z uporabo odklopnika RCD zmanjšate tveganje električnega udara. Napravo napajajte preko stikala na diferenčni tok z nazivnim tokom ne več kot 30 mA.

Splošne informacije

Naprava je namenjena delom na vrtu v skladu z opisom in varnostnimi načeli iz teh navodil za uporabo.

Po izklopu kosilnice se nitka/rezilo še nekaj časa vrti. Počakajte, da se motor in nitka/rezilo popolnoma ustavita, preden ponovno vklopite napravo.

Ne vklopite kosilnice takoj po tem, ko ste jo izklopili.
Operater kosilnice mora nositi primerno, nedrsečo obutev in dolge hlače za zaščito nog. Ne uporabljajte naprave, če ste bosih ali imate natikače/sandale.

Kosilnico vedno držite z obema rokama.

Napravo uporabljajte le podnevi ali pri dobri umetni svetlobi.

SIMBOLI

- V priročniku ali na tipski tablici orodja se lahko pojavijo spodaj navedeni simboli.
- Te oznake prinašajo pomembne informacije o izdelku in nasvete glede uporabe le-tega.

	Prebrati uporabniški priročnik.		Nositi zaščito za sluh
	Splošna opozorila		Nositi zaščitne rokavice
	Nevarnost požara		Nositi zaščitno obleko
	Tveganje električnega udara		Nositi zaščitno masko
	Nositi zaščitna očala		Uporabite zaščito za dihala



Če se na napravi nahaja oznaka - prekrižan zabojnik za odpadke, to pomeni, da za izdelek veljajo določila evropske smernice 2012/19/EU. Seznaniti se je treba z lokalnimi zahtevami za zbiranje električnih ter elektronskih odpadkov. Ukrepati je treba v skladu z lokalnimi predpisi. Izdelka se ne sme odstranjevati skupaj z navadnimi odpadki. Ustrezno odstranjevanje starega izdelka pomaga izključiti morebitne negativne učinke na okolje in človekovo zdravje.



Naprava izdelana iz visokokakovostnih materialov ter komponent, ki se lahko reciklirajo in ponovno uporabijo.

UPORABLJATI OSEBNO VAROVALNO OPREMO

- Nositi zaščitna očala po standardu En166
- Nositi zaščitne maske po standardu En149
- Uporabljati drugo osebno varovalni opremo, odvisno od vrste delovnih obveznosti.

Namen:

Vrtno orodje je namenjeno za domačo uporabo, za košenje trave in plevela, običajno na površinah, ki niso dostopne navadni kosilnici. Vrtno orodje ni namenjeno za komercialno ali industrijsko uporabo.

Pred zagonom naprave:

Preverite stanje naprave in se prepričajte, da kateri od elementov ni poškodovan in da je kolut z nitko ali rezilo pravilno nameščen in pritrjeno.

Pred uporabo kosilnice preverite, ali naprava ne kaže znakov obrabe ali poškodovanja. Po potrebi odnesite kosilnico na pooblaščen servis.

Prepričajte se, da so tretje osebe in živali na varni razdalji od delovnega območja kosilnice (vsaj 15 metrov).

Kosilnico odklopite iz električnega omrežja pred odmorom, preden napravo prestavite na drugo delovno mesto in pred kakršnimi koli posegi (npr. nastavljanje ali čiščenje).

Opis naprave

- | | |
|--|--|
| 1. Motor | 9. Pokrov rezalnega sklopa / varnostni ščitnik |
| 2. Sprožilec | 10. Nož za odrezovanje nitke |
| 3. Blokada stikala | 11. Prestava |
| 4. Ročaj | 12. Varovalni vijak |
| 5. Pokrov pritrdilnega dela ročaja (volana) | 13. Trak za čez ramo |
| 6. Cev za pritrditev rezalnega sklopa | 14. Točka za pritrditev traka |
| 7. Spojka ščitnika pogonske gredi | 15. Napajalni kabel |
| 8. Rezalni sklop (rezalni disk, glava z nitko) | 16. Ročaj |

Namestitev ščitnika rezalnega sklopa (namestitev varnostnega ščitnika):

Odvijte obroč za pritrditev varnostnega ščitnika. Namestite ščitnik, nato namestite obroč in privijte vijake.

Povezovanje pogonske gredi:

Povežite dva dela cevi, v katerih se nahaja pogonska gred, dokler se ne zaklene vreteno 1. Zategnite pritrdilno matico.



Zamenjava koluta:

1. Prepričajte se, da je naprava izklopljena s stikalom. Izvlecite vtič iz omrežne vtičnice.
2. Pritisnite bočne zapahе ščitnika koluta, snemite notranji ščitnik koluta, nato odstranite star kolut in ga nadomestite z novim
3. Potisnite kolut nazaj v držalo. Prepričajte se, da je pravilno nameščen.

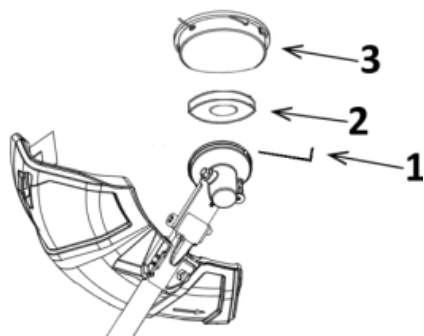
Namestite kolut z nitko



Odvijte matico v smeri urinega kazalca.

Odstranite podložko iz pločevine, odstranite distančno podložko.

S šesterkotnim ključem zaklenite pogonsko os rezalnega nastavka. Privijte kolut z rezalno nitko tako, da ga obrnete v nasprotni smeri urinega kazalca. Ne pozabite blokirati pogonske gredi s šesterkotnim ključem.



Namestitev rezila:



Odvijte matico v smeri urinega kazalca. Odstranite podložko iz pločevine, odstranite distančno podložko. Namestite trikraki nož na osi pogonske gredi. Namestite distančno podložko in nato še podložko iz pločevine. S šesterkotnim ključem zaklenite pogonsko os rezalnega nastavka. S pomočjo priloženega ključa privijte matico 5 nasprotno smeti urinega kazalca. Shema: 1 šesterkotni ključ, 2 podložka, 3 trikraki nož, 4 distančna podložka, 5 podložka iz pločevine, 6 matica

Jermen:

Pred delom ustrezno nastavite zanko jermena ali naramnic proti uporabniku.

Jermen prilagodite tako, da se kosilnica nahaja na višini desnega kolka, ko imate jermen nameščen čez levo ramo. Jermen je namesti čez levo ramo. Ščitnik za kolke je na desni strani operaterja, tam, kjer se nahaja točka obešanja kosilnice. Ščitnik varuje pred vibracijami, ki jih ustvari kosilnica, kakor tudi pred stikom s kosilnico.

Košnja TRAVE:

Ne kosite mokre trave. Najboljše učinke košnje dosežete, ko je trava suha. Kabel za podaljšanje napeljite nazaj skozi ramo in pazite, da se ta med košnjo vedno nahaja za uporabnikom.

Naprava naj bo nagnjena za 20 stopinj glede na travo, ki jo kosite. Med košnjo napravo nihajte levo in desno. Pazite, da bo naprava stran od vas – glejte sliko.



Učinkovita košnja trave z napravo je možna le, če trava ni višja od 15 cm. Kosilnici ne približajte trdih predmetov. Če prideta nitka ali rezilo v stik s trdim predmetom, se lahko zlomita ali poškodujeta. Kamenje lahko odleti in z veliko hitrostjo zadane bližnje predmete ter povzroči škodo. Ne uporabljajte naprave brez varnostnega ščitnika.

Med uporabo kosilnice ohranite pravilno držo telesa.

KOŠNJA OKOLI GRMOV IN DREVES

Ko kosite travo in plevel okoli grmovja in dreves, bodite izjemno previdni, da le-tisti ne pridejo v stik z vrtečo se nitko ali rezilom. Če poškodujete lubje, lahko privedete do odmiranja drevesa ali grmovja.

Izmet nitke:

Če je nitka prekratka, jo je treba izvleči. Naprava je opremljena z glavo z avtomatskim izmetom nitke. Za avtomatski izmet nitke rahlo pritisnite kolut na tla.

Ne pozabite, da premočno ali preneglo pritiskanje koluta na tla ga lahko poškoduje, zato je priporočljivo, da postopek izvedete ročno, da preprečite poškodovanje koluta.

Čiščenje, vzdrževanje:

- Po vsaki uporabi celotno napravo očistite rastlinskih ostankov, spodnji pokrov pa od nabrane, kompaktne mase.
- Prezračevalne reže in ohišje motorja naj bodo karseda brez prahu in umazanije. Napravo obrišite s čisto krpo ali čopičem oz. prepričajte s stisnjenim zrakom.
- Napravo očistite takoj po uporabi.
- Za čiščenje naprave ne uporabljajte nobenih čistilnih sredstev ali topil; ta sredstva lahko poškodujejo plastične dele naprave. Pazite, da voda ne prodre v notranjost naprave.
- Redno preverjajte stanje rezalne nitke ter popolnost vijakov. Pri novih napravah prvo kontrolo tesnosti vijakov opravite po približno 2 urah delovanja kosilnice z nitko. Po potrebi zategnite popuščene vijake.
- Poskrbite za pravilno stanje vseh elementov električnega orodja, ne preobremenjujte naprave in ne opravljajte del, za katere ta naprava ni primerna.

Električna kosilnica

Tip motorja: električni, krtačni

Moč motorja: 1400 W

Vrtilna hitrost: 7500 rpm

Premer košnje z nitko: 420 mm

Vrsta in tip glave: polavtomatska / dvojna nitka

Priporočen premer nitke: od 1,6 mm do 2,0 mm

Hrup in vibracije.

Hrup in vibracije so izmerjene v skladu s standardom 2000/14/EC, 2005/88/EC .

Hrup: Raven zvočnega tlaka LpA: 75,51 dB (A)

Odstopanje KpA: 3,00 dB (A)

Izmerjena raven zvočne moči LwA: 95,51 dB (A)

Odstopanje KwA: 0,93 dB (A)

Zajamčena raven zvočne moči: LwA: 96,00 dB (A)

Celotna vrednost vibracij in merilna negotovost (K):

Vibracije, ki učinkujejo na roke: $7,95 \text{ m/s}^2$, $k= 1,5 \text{ m/s}^2$

Deklarirana skupna vrednost vibracij je bila izmerjena v skladu s standardno preskusno metodo in se lahko uporablja za primerjavo

dveh naprav. Navedena vrednost emisije vibracij se lahko uporabi za predhodno oceno negativnega vpliva.

Po vsakih 15 minutah dela – 15 minut odmora.

VAŽNA INFORMACIJA

Kako biste postigli najveće zadovoljstvo, uživali u učinkovitosti proizvoda i naučili sve njegove karakteristike i funkcije, pročitajte ove upute prije korištenja ovog proizvoda. Prije uporabe uređaja pročitajte upute za uporabu i slijedite smjernice sadržane u njima. Proizvođač ne preuzima odgovornost za štete nastale nenamjenskim korištenjem uređaja.

Sačuvajte sve sigurnosne napomene i upute za buduću uporabu.

- Uređaj se koristi samo za domaću upotrebu. Ne koristiti za druge svrhe, koje nisu u skladu sa svojom namjenom.
- Uređaj mora biti priključan isključivo u utičnicu s obilježjima u skladu s vrijednostima na tipskoj pločici.
- Pobrinite se da ukupna potrošnja energije svih uređaja priključenih na zidnu utičnicu ne prelazi maksimalno opterećenje osigurača.
- Ako koristite produžni kabel, provjerite da ukupna potrošnja energije uređaja koji su priključeni na produžni kabel ne prekorači parametra njegovog opterećenja. Žicu produžnog kabela treba smjestiti na takav način da se izbjegnu slučajne udarce i okidanje.
- Nemojte dopustiti da kabel napajanja visi na rubu stola ili police ili dodira vruće površine.
- Uređaj nije namijenjen za upravljanje preko vanjskog timera, odvojenog daljinskog upravljača, ili druge opreme koja može automatski uključiti uređaj.
- Prije radova održavanja treba uvijek bezuvjetno isključiti uređaj iz jedinice napajanja.
- Prilikom isključivanja kabela za napajanje uvijek ga izvući iz utičnice držeći utikač. Nikad ne iskopčajte strujni kabel povlačenjem kabela jer bi to moglo dovesti do oštećenja utikača ili kabela, u ekstremnim slučajevima može čak dovesti do fatalnog strujnog udara.

- Ne ostavljajte opremu uključenu u utičnicu bez nadzora.
- Ne uranjajte uređaj u vodu ili neku drugu tekućinu.
- Uređaj treba redovito čistiti u skladu s preporukama opisanim u odjeljku o čišćenju i održavanju.
- Ne postavljajte uređaja blizu izvora topline, plamena, električnog grijaćeg elementa ili na vrućoj peći. Nemojte stavljati na bilo kojem drugom uređaju.
- Uređaj mogu koristiti osobe s ograničenim fizičkim, osjetilnim ili mentalnim sposobnostima, kao i osobe koje nemaju iskustva ili nisu upoznate s načinom korištenja uređaja tog tipa, ako uređaj koriste uz nadzor ili ako su dobile upute za korištenje uređaja na siguran način i ako su obaviještene o mogućim opasnostima.
- Budite oprezni prilikom korištenja uređaja kada u blizini ima djece ili kućnih ljubimaca. Nemojte dopustiti djeci da se igraju s uređajem.
- Ne upotrebljavajte uređaja u blizini zapaljivih materijala.
- Nemojte izlagati uređaj vremenskim uvjetima (kiša, sunce, itd) i nemojte koristiti u uvjetima visoke vlage (kupaonice, vlažne kabine).
- Povremeno provjeravajte status kabela napajanja. Ako je neodvojivi kabel za napajanje oštećen treba ga zamijeniti kod proizvođača ili u specijalističkoj servisnoj radionici ili kod kvalificirane osobe radi izbjegavanja opasnosti.
- Ne koristite uređaj s oštećenim kabelom za napajanje ili utikačom ako su pale ili su oštećene na bilo koji način ili nepravilno rade. Nemojte samostalno popravljati uređaj jer to može uzrokovati strujni udar. Neispravan uređaj donesi u odgovarajući servisni centar za provjeravanje ili popravak. Potrebni popravci mogu se izvršavati samo od strane ovlaštenih servisa. Nepravilan popravak može dovesti do ozbiljnih opasnosti za korisnika.
- Koristite samo originalni pribor za uređaj ili preporučeni od strane proizvođača. Koristanje pribora koji nisu preporučeni

od strane proizvođača može dovesti do oštećenja uređaja i ugroziti sigurnost korištenja.

- Održavajte radno područje dobro osvijetljenim.
- Nered ili tamna područja izazivaju nesreće.
- Ne rukujte električnim alatima u eksplozivnoj atmosferi, na primjer u prisutnosti zapaljivih tekućina, plinova ili prašine.
- U slučaju nepažnje možete izgubiti kontrolu nad električnim alatom
- Ako je moguće montirati usisivač i sustav za prihvatanje prašine, morate ih priključiti i ispravno koristiti. Uporaba usisivača može smanjiti opasnost zbog prašine.
- Izbjegavajte neprirodan položaj tijela. Pobrinite se da čvrsto stojite i održavajte ravnotežu u svakom trenutku. Na taj ćete način moći bolje kontrolirati električni alat u neočekivanim situacijama.
- Izbjegavajte nehotično uključivanje uređaja. Uvjerite se da je električni alat isključen (OFF) prije nego ga priključite na napajanje. Ako prilikom nošenja električnog alata prst držite na sklopci ili priključite napajanje uključenog uređaja, može doći do nezgode.
- Nosite prikladnu odjeću. Ne nosite široku odjeću ili nakit. Kosu i odjeću držite podalje od pokretnih dijelova. Pokretni dijelovi mogu zahvatiti labavu, široku odjeću, nakit ili dugu kosu.
- Alat za namještanje ili ključeve za matice uklonite prije uključivanja električnog alata. Alat ili ključ koji se nalazi u rotirajućem dijelu električnog alata mogu uzrokovati ozljede.
- Budite oprezni, pazite što radite i koristite zdrav razum pri rukovanju električnim alatom. Ne koristite električni alat dok ste umorni ili pod utjecajem droga, alkohola ili lijekova. Trenutak nepažnje tijekom rada s električnim alatom može dovesti do ozbiljnih ozljeda.
- Držite djecu podalje od radnog područja i NEMOJTE dopustiti djeci da vuku kabel za napajanje - to može uzrokovati

ozbiljne ozljede.

- Prije bilo kakvih podešavanja, promjene pribora ili spremanja električnih alata, okrenite prekidač za napajanje u položaj isključeno kako biste isključili električni alat iz izvora napajanja. Takve preventivne mjere smanjuju rizik od slučajnog pokretanja električnog alata.
- Provjerite jesu li otvori za ventilaciju bez ostatke.
- Uređaj se smije koristiti samo u suhom, dobro osvijetljenom okruženju.
- Ovaj alat ne smiju koristiti osobe mlađe od 16 godina.

Električna sigurnost

Uređaj se smije priključiti samo na utičnicu s karakteristikama na natpisnoj pločici.

Utikači za električni alat moraju odgovarati utičnici. Nikada ni na koji način ne mijenjajte utikač kabela za napajanje.

Nepromijenjeni utikači i odgovarajuće utičnice će smanjiti rizik od strujnog udara.

Izbjegavajte kontakt tijela s uzemljenim ili uzemljenim površinama, kao što su cijevi, grijači, radijatori i hladnjaci. Ako dodirnete uzemljene ili kratko spojene dijelove, povećava se rizik od strujnog udara.

Ne izlažite uređaje na električni pogon kiši ili mokrim uvjetima. Ako voda uđe u električni alat, povećat će se rizik od strujnog udara.

Spojni kabeli ne smiju biti rastegnuti. Nikada nemojte koristiti kabel za napajanje za nošenje, povlačenje ili izvlačenje opreme na električni pogon iz utičnice. Držite kabel za napajanje dalje od topline, ulja, oštih rubova ili pokretnih dijelova. Oštećeni ili zapetljani kabeli povećavaju rizik od strujnog udara.

Prije početka rada provjerite kabel za napajanje. Nemojte pokušavati raditi s kabelom za napajanje ili produžnim kabelom izlizanim, izrezanim ili na drugi način oštećenim. Ako se strujni kabel ošteti tijekom uporabe, isključite uređaj i izvucite utikač iz utičnice.

Ako se električni alat koristi na otvorenom, priključne kabele treba produžiti voodootpornim produžnim kabelima namijenjenim za vanjsku upotrebu. Korištenje produžnog kabela smanjuje rizik od strujnog udara. Poprečni presjek žice produžnog kabela treba biti najmanje $1,5 \text{ mm}^2$ kada je duljina kabela manja od 20 m, a ako je duljina kabela između 20 i 50 m, minimalni poprečni presjek je $2,5 \text{ mm}^2$.

Za zaštitu od strujnog udara upotrijebite zaštitni uređaj (RCD). Korištenje RCD-a smanjuje rizik od strujnog udara. Opremu treba napajati preko prekidača kvara na diferencijalnu struju s nazivnom strujom koja ne prelazi 30 mA.

Opće informacije

Uređaj je namijenjen samo za rad u kućnom vrtu u skladu s opisom i sigurnosnim pravilima sadržanim u ovim uputama za uporabu.

Nakon isključivanja trimera, struna/oštrica se još neko vrijeme okreće. čekati do potpuno zaustavite motor i konac/oštricu prije ponovnog pokretanja stroja.

Nemojte brzo uključivati i isključivati trimer.

Rukovatelj trimenom treba nositi dobre cipele s protukliznim potplatom i duge hlače kako bi zaštitio noge. Nemojte raditi bosi ili u japankama ili sandalama.







Trimer uvijek koristite s obje ruke.

Koristite uređaj samo danju ili uz dobro umjetno osvjetljenje.

SIMBOLI

- U uputama za upotrebu ili na natpisnoj pločici alata mogu se pojaviti donji simboli.
- Te oznake sadrže važne informacije o proizvodu i upute za njegovu upotrebu.

	Pročitajte korisnički priručnik		Nosite sredstva za zaštitu ušiju
	Opće upozorenje		Nosite zaštitne rukavice

	Opasnost od požara		Nosite zaštitnu odjeću
	Opasnost strujnog udara		Nosite zaštitnu masku
	Nosite zaštitne naočale		Koristite zaštitu za dišne puteve



Ako uređaj ima znak prekrštenog kontejnera za smeće, to znači da je proizvod pokriven odredbama Europske direktive 2012/19/EU. Molimo pogledajte zahtjeve lokalnog sustava za prikupljanje električnog i elektroničnog otpada. Postupajte u skladu s lokalnim propisima. Ne bacajte ovaj proizvod zajedno s kućnim otpadom. Pravilno odlaganje isluženog uređaja će spriječiti potencijalne negativne posljedice za prirodni okoliš i ljudsko zdravlje.



Proizvod je izrađen od visokokvalitetnih materijala, koji se mogu reciklirati i ponovo upotrijebiti.

KORISTITE OSOBNA ZAŠTITNA SREDSTVA

- Koristite zaštitne naočale u skladu s normom En 166
- Koristite zaštitne maske u skladu s normom En 149
- Koristite ostala precizna osobna sredstva za zaštitu, ovisno o radu koji se izvodi.

Namjena:

Vrtlarski alat je namijenjen za kućnu upotrebu, za šišanje trave i korova, obično na područjima gdje kosilica nema pristup. Vrtni alat nije namijenjen za komercijalnu ili industrijsku uporabu.

Prije pokretanja uređaja:

Provjerite tehničko stanje uređaja i uvjerite se da niti jedan element nije oštećen i da je špula sa linijom netaknuta ili oštrica je pravilno postavljena i pričvršćena.

Prije uporabe trimera provjerite ima li znakova istrošenosti ili oštećenja i po potrebi ga odnesite u ovlaštenu servis.

Provjerite jesu li promatrači i životinje na sigurnoj udaljenosti od radnog područja trimera (najmanje 15 metara).

Trimer mora biti isključen iz napajanja tijekom pauza u korištenju, prije premještanja na drugo mjesto rada i prije bilo kakvih radova na električnom alatu (npr. podešavanje ili čišćenje).

Opis uređaja

- | | |
|--|--|
| 1. Motor | 9. Štitnik rezne jedinice / sigurnosni štitnik |
| 2. Okidač prekidača | 10. Nož za rezanje strune |
| 3. Zaključavanje prekidača | 11. oprema |
| 4. Ručka | 12. Sigurnosni vijak |
| 5. Poklopac za pričvršćivanje upravljača (upravljač) | 13. naramenica |
| 6. Montažna cijev rezne jedinice | 14. Točka pričvršćivanja naramenice |
| 7. Priključak poklopca pogonskog vratila | 15. Kabel za napajanje |
| 8. Jedinica za rezanje (ploča za rezanje, glava s linijom) | 16. Ručka |

Montaža zaštite kosilice (instalacija sigurnosne zaštite):

Odvijte stezaljku koja pričvršćuje sigurnosni poklopac. Stavite poklopac, stavite traku za pričvršćivanje koju zatim zavrnite.

Spajanje pogonske osovine:

Spojite dva dijela cijevi koji sadrže pogonsko vratilo dok se zatik za zaključavanje 1 ne uklopi. Zategnite pričvrstnu maticu.



Zamjena špule:

1. Provjerite je li prekidač u isključenom položaju i izvucite utikač iz utičnice.
2. Pritisnite bočne zasune poklopca kalema, uklonite unutarnji poklopac s kalema, zatim ga uklonite iznutra i zamijenite novim.
3. Gurnite kalem natrag u držač kalema, pazeći da je čvrsto na mjestu.

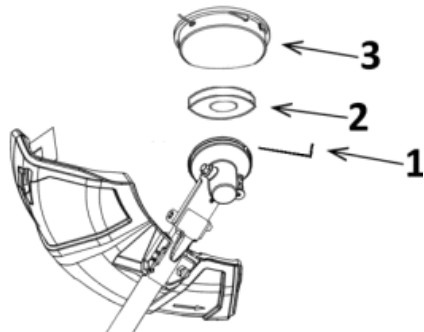
Ugradnja špule s linijom za pecanje



Odvijte maticu, matica se odvrće u smjeru kazaljke na satu.

Izvadite podlošku iz utisnutog lima, uklonite odstožnik.

Zaključajte pogonsku osovinu nastavka za rezanje imbus ključem. Uvrnite kalem s reznom nitom okrećući ga u smjeru suprotnom od kazaljke na satu, ne zaboravite blokirati pogonsku osovinu 1 šesterkutnim ključem.



Sklop oštrice:





Odvijte maticu, matica se odvrtće u smjeru kazaljke na satu. Izvadite podlošku iz utisnutog lima, uklonite odstojnik. Ugradite oštricu s tri oštrice na osovinu pogonskog vratila. Ugradite distantnu podlošku, zatim podlošku od štancanog lima. Zaključajte pogonsku osovinu nastavka za rezanje imbus ključem. Zategnite maticu 5 pomoću ključa koji ste dobili u kompletu u smjeru suprotnom od kazaljke na satu. Shema: 1 imbus ključ, 2 podloška, 3 trokraki nož, 4 odstojna podloška, 5 prešana podloška, 6 matica.

Remen za nošenje:

Prije rada, kuku remena za nošenje ili remena (uprtača) treba pravilno prilagoditi korisniku. Pojas treba namjestiti tako da, kada se pojas nosi na lijevom ramenu, brava pojasa bude u razini desnog kuka. Uprtač se nosi preko lijevog ramena, a štitnik za kukove nalazi se s desne strane operatera gdje kosa visi. Ovaj štitnik štiti korisnika od vibracija radne kose, a također štiti od kontakta s kosom.

Košnja TRAVE:

Nemojte kositi mokru travu. Najbolji rezultati košnje postižu se kada je trava suha. Produžni kabel treba provući kroz okvir prema stražnjoj strani, pazeći da je uvijek iza korisnika prilikom rezanja. Držite stroj pod kutom od 20 stupnjeva u odnosu na travu koju kosite, njišući ga lijevo i desno. Pazite da uređaj držite dalje od sebe - pogledajte sliku.



Učinkovito košenje trave s uređajem moguće je samo ako trava nije viša od 15 cm. Držite trimer podalje od tvrdih predmeta. Kad je linija ili oštrica dođe u dodir s tvrdim predmetom, kabel može puknuti ili se oštetiti odnosno oštrice. Kamenje se može odbaciti i velikom brzinom pogoditi okolne objekte, uzrokujući štetu. Zabranjeno je koristiti uređaj bez sigurnosnog poklopca.

Kada koristite trimer, ne zaboravite održavati pravilan položaj tijela tijekom rada.

KOŠNJA ŽBRINJA I DRVEĆA

Kad podrezujete travu i korov oko grmlja i drveća, budite iznimno oprezni i ne dopustite da dođu u dodir s linijom za pređenje ili oštricu. Oštećenje kore može dovesti do smrti stabla ili grma.

Izbacivanje linije:

Ako je uzica prekratka, izvucite je. Uređaj je opremljen glavom s automatskim izvlačenjem. Za automatsko izbacivanje strune - lagano pritisnite kalem prema tlu.

Tijekom ove radnje imajte na umu da prejako ili prejako pritiskanje kalema na tlo može oštetiti pa se preporuča da postupak izvedete ručno kako biste spriječili oštećenje kalema.

Čišćenje, održavanje:

1. Nakon svake uporabe uređaja očistite cijeli uređaj od biljnih ostataka, a donji pokrov od sakupljene, zbijene mase.
2. Ventilacijski otvori i kućište motora trebaju uvijek biti čisti od prašine i krhotina što je više moguće. Obrišite uređaj čistom krpom, četkom ili ga ispuhajte komprimiranim zrakom.
3. Preporuča se čišćenje odmah nakon svake uporabe.
4. Nemojte koristiti sredstva za čišćenje ili otapala za čišćenje uređaja; mogu oštetiti plastične dijelove uređaja. Pazite da voda ne uđe u uređaj.
5. Redovito provjeravajte stanje rezne niti i zategnutost vijaka. Na novim strojevima, prvu provjeru zategnutosti vijaka treba izvršiti nakon otprilike 2 sata rada. Po potrebi zategnite olabavljene vijke.
6. Održavajte sve dijelove električnog alata u dobrom stanju i nemojte preopteretiti uređaj niti obavljati radove za koje stroj nije namijenjen

Električna kosa

Tip motora: električni, četkasti

Snaga motora: 1400W

Brzina vrtnje: 7500 rpm

Linija promjera rezanja: 420 mm

Vrsta i vrsta glave: poluautomatska / dvostruka linija

Preporučeni promjer žice: 1,6 mm do 2,0 mm

Buka i vibracije.

Buka i vibracije izmjerene u skladu s 2000/14/EC, 2005/88/EC .

Emisija buke: Razina zvučnog tlaka LpA: 75,51 dB (A)

KpA odstupanje: 3,00 dB(A)

Izmjerena razina zvučne snage LwA: 95,51 dB (A)

KwA odstupanje: 0,93 dB(A)

Zajamčena razina zvučne snage: LwA: 96,00 dB (A)

Ukupna vrijednost vibracija i mjerna nesigurnost (K):

Vrijednost vibracija koje djeluju na gornje udove: $7,95 \text{ m/s}^2$, $k=1,5 \text{ m/s}^2$

Deklarirana ukupna vrijednost vibracija izmjerena je standardnom metodom ispitivanja i može se koristiti za usporedbu

jednog uređaja na drugi. Zadana vrijednost emisije vibracija može se koristiti za preliminarnu procjenu negativnog utjecaja.

Nakon svakih 15 minuta rada - 15 minuta pauze.

ΣΗΜΑΝΤΙΚΕΣ ΠΛΗΡΟΦΟΡΙΕΣ

Για να επιτύχετε την υψηλότερη δυνατή ικανοποίηση, να μείνετε ευχαριστημένοι με την απόδοση του προϊόντος και να μάθετε όλα τα χαρακτηριστικά και τις λειτουργίες του, παρακαλούμε διαβάστε το παρόν εγχειρίδιο πριν χρησιμοποιήσετε το προϊόν.

Πριν χρησιμοποιήσετε τη συσκευή, διαβάστε το εγχειρίδιο και ακολουθήστε τις οδηγίες που περιέχονται σε αυτό. Ο κατασκευαστής δεν ευθύνεται για ζημιές που προκαλούνται από τη χρήση της συσκευής με τρόπο ασύμφωνο με τον προορισμό της ή λόγω ακατάλληλου χειρισμού.

Διατηρήστε αυτές τις οδηγίες χρήσεως για μελλοντική αναφορά.

- Η συσκευή προορίζεται μόνο για οικιακή χρήση. Μην χρησιμοποιήσετε τη συσκευή για τους σκοπούς άλλους από τον προορισμό της.
- Πρέπει να συνδέσετε τη συσκευή αποκλειστικά στην πρίζα με τα χαρακτηριστικά που να είναι συμβατά με τις τιμές που αναφέρονται στην ονομαστική πινακίδα.
- Πρέπει να ελέγξετε αν η πλήρης λήψη ηλεκτρικού ρεύματος από όλες τις συνδεδεμένες στην πρίζα μηχανές τοίχου να μην υπερβεί τη μέγιστη επιβάρυνση της ηλεκτρικής ασφάλειας.
- Αν χρησιμοποιήσετε την επέκταση, πρέπει να ελέγξετε αν η λήψη ενέργειας του συνδεδεμένου στην επέκταση εξοπλισμού αυτού να μην υπερβεί τις παραμέτρους επιβάρυνσής της. Το καλώδιο επέκτασης πρέπει να τοποθεθεί έτσι ώστε να αποφύγετε τυχαίο τράβηγμα ή να μη σκοντάψετε σε αυτό.
- Μην επιτρέψετε το καλώδιο τροφοδοσίας να κρεμαστεί κάτω από την άκρη ενός τραπεζιού ή ραφιού ή να μην αγγίξει ζεστή επιφάνεια.
- Η συσκευή δεν προορίζεται για έλεγχο με εξωτερικό χρονοδιακόπτη, ξεχωριστό τηλεχειριστήριο ή άλλη διάταξη η οποία μπορεί να απενεργοποιήσει τη συσκευή αυτομάτως.

- Πριν από τις εργασίες συντήρησης πρέπει να αποσυνδέετε πάντα και πλήρως τη συσκευή από την ηλεκτρική ενέργεια.
- Αποσυνδέοντας το καλώδιο τροφοδοσίας πάντα πρέπει να το τραβάτε κρατώντας το φισ. Ποτέ μη
- βγάλετε το καλώδιο τροφοδοσίας τραβώντας μόνο το καλώδιο γιατί έτσι μπορείτε να χαλάσετε το φισή το καλώδιο, και σε ακραίες περιπτώσεις, μπορείτε να πάθετε ηλεκτροπληξία.
- Δεν επιτρέπεται να αφήνετε τη συσκευή συνδεδεμένη στην πρίζα χωρίς εποπτεία.
- Μη βυθίζετε τη συσκευή στο νερό ή σε κανένα άλλο υγρό.
- Η συσκευή πρέπει να καθαρίζεται τακτικά σύμφωνα με τις προτάσεις που αναφέρονται στο μέρος περί Καθαρισμού και συντήρησης της συσκευής.
- Μην τοποθετείτε τη συσκευή κοντά σε πηγές θερμότητας, φλόγα, ηλεκτρική μονάδα θέρμανσης ή πάνω σε ζεστό φούρνο. Μην τοποθετείτε τη συσκευή μέσα σε άλλη συσκευή.
- Η συσκευή μπορεί να χρησιμοποιηθεί από τα πρόσωπα με προορισμένες φυσικές, αντιληπτικές ή νοητικές ικανότητες ή τα πρόσωπα τα οποία δεν έχουν εμπειρία και πώς να χρησιμοποιήσουν συσκευές τέτοιου τύπου υπό τον όρο ότι αυτά είναι υπό εποπτεία ή να εξοικειωθούν με το θέμα πώς να χρησιμοποιήσουν αυτή τη συσκευή με τον ασφαλή τρόπο και αν ενημερωθούν για πιθανούς κινδύνους.
- Πρέπει να είστε ιδιαίτερα προσεκτικοί όταν χρησιμοποιείτε τη συσκευή και όταν κοντά της βρίσκονται παιδιά ή ζώα συντροφιάς. Μην επιτρέπετε στα παιδιά να παίζουν με τη συσκευή.
- Μην χρησιμοποιήσετε εύφλεκτα υλικά κοντά στη συσκευή.
- Μην εκθέτετε τη συσκευή στη δράση των καιρικών συνθηκών (βροχή, ήλιος κλπ.) και μην τη χρησιμοποιήσετε σε συνθήκες αυξημένης υγρασίας (μπάνια, μουσκεμένα κάμπινγκ κλπ.).
- Περιοδικά ελέγχετε την κατάσταση του καλωδίου τροφοδοσίας. Αν το μη αφαιρούμενο καλώδιο τροφοδοσίας

υποστεί φθορές πρέπει να αντικατασταθεί από τον κατασκευαστή ή σε ένα εξειδικευμένο συνεργείο ή από τον εξουσιοδοτημένο αντιπρόσωπο με σκοπό να αποφύγετε ενδεχόμενο κίνδυνο.

- Μην χρησιμοποιείτε τη συσκευή με χαλασμένο καλώδιο τροφοδοσίας, χαλασμένο φικ ή όταν η συσκευή πέσει ή χαλάσει με οποιοδήποτε άλλο τρόπο ή όταν δεν λειτουργεί κατάλληλα. Μην επισκευάσετε τη συσκευή μόνοι σας. Παραδώστε τη χαλασμένη συσκευή στην κατάλληλη υπηρεσία σέρβις με σκοπό να ελεγχθεί ή να επισκευαστεί. Όλες οι επισκευές μπορούν να εκτελεστούν αποκλειστικά από τις εξουσιοδοτημένες υπηρεσίες σέρβις. Ακατάλληλα εκτελεσμένες επισκευές μπορεί να αποτελέσουν σημαντικό κίνδυνο για τον χρήστη της.
- Χρησιμοποιείτε μόνο τα γνήσια αξεσουάρ για τη συσκευή ή τα αξεσουάρ που προτείνονται από τον κατασκευαστή. Το να χρησιμοποιήσετε τα αξεσουάρ που δεν προτείνονται από τον κατασκευαστή μπορεί να προκαλέσει βλάβες στη συσκευή και να προκαλέσει κίνδυνο για τη χρήση της.
- Φροντίστε ο χώρος εργασίας σας να είναι τακτοποιημένος και φωτισμένος.
- Η αταξία και ο ανεπαρκής φωτισμός οδηγούν σε ατυχήματα.
- Μην χρησιμοποιείτε ηλεκτρικά εργαλεία σε εκρηκτικές ατμόσφαιρες, δηλαδή σε χώρους όπου υπάρχουν εύφλεκτα υγρά, αερία ή σκόνες.
- Μια στιγμή απροσεξίας μπορεί να οδηγήσει σε απώλεια του ελέγχου του μηχανήματος.
- Εάν υπάρχει η δυνατότητα χρήσης ηλεκτρικών εργαλείων για την εξαγωγή ή τη συλλογή της σκόνης, βεβαιωθείτε ότι έχουν εγκατασταθεί και λειτουργούν σωστά. Η χρήση τέτοιων ηλεκτρικών εργαλείων μειώνει τον κίνδυνο από τη σκόνη.
- Μην χρησιμοποιείτε το ηλεκτρικό εργαλείο πολύ μακριά από το σώμα σας, έχοντας τα χέρια τεντωμένα. Κρατήστε το σταθερά με τα χέρια και διατηρήστε την ισορροπία σας. Αυτό

θα σας παρέχει καλύτερο έλεγχο του ηλεκτρικού εργαλείου σε περίπτωση απρόβλεπτων καταστάσεων.

- Αποφύγετε την ακούσια εκκίνηση του ηλεκτρικού εργαλείου. Βεβαιωθείτε ότι ο διακόπτης ενεργοποίησης βρίσκεται στη θέση OFF πριν συνδέσετε το ηλεκτρικό εργαλείο στην πρίζα. Η μεταφορά του ηλεκτρικού εργαλείου με το δάχτυλο στη σκανδάλη ή η σύνδεση του ηλεκτρικού εργαλείου στην πρίζα μετά το πάτημα του κουμπιού ενεργοποίησης μπορεί να οδηγήσει σε ατυχήματα.
- Φορέστε κατάλληλο ρουχισμό. Μην εργάζεστε με χαλαρά ρούχα και μην φοράτε κοσμήματα κατά την εργασία. Κρατήστε τα μαλλιά, τα ρούχα και τα γάντια μακριά από τα κινούμενα στελέχη. Τα κινούμενα μέρη του ηλεκτρικού εργαλείου μπορεί να αρπάξουν και να τραβήξουν χαλαρά ρούχα, κοσμήματα ή μακριά μαλλιά.
- Αφαιρέστε όλα τα κλειδιά ή τα εργαλεία από το ηλεκτρικό εργαλείο πριν το ενεργοποιήσετε. Ένα εργαλείο ή κλειδί που παραμένει προσαρτημένο στο περιστρεφόμενο τμήμα του ηλεκτρικού εργαλείου μπορεί να προκαλέσει τραυματισμό.
- Η χρήση του ηλεκτρικού εργαλείου πρέπει να γίνεται με προσοχή, συγκέντρωση και κοινή λογική. Μην χρησιμοποιείτε το ηλεκτρικό εργαλείο όταν είστε κουρασμένοι ή βρίσκεστε υπό την επήρεια ναρκωτικών, αλκοόλ ή φαρμάκων. Ακόμη και μια στιγμή απροσεξίας κατά τη χρήση ενός ηλεκτρικού εργαλείου μπορεί να προκαλέσει σοβαρό ατύχημα.
- Κρατήστε τα παιδιά μακριά από την περιοχή εργασίας και ΜΗΝ αφήνετε τα παιδιά να τραβούν το καλώδιο τροφοδοσίας - αυτό μπορεί να προκαλέσει σοβαρό τραυματισμό.
- Πριν από οποιαδήποτε ρύθμιση, αλλαγή εξαρτημάτων ή αποθήκευση του ηλεκτρικού εργαλείου, μετακινήστε τον διακόπτη στη θέση απενεργοποίησης ώστε να αποσυνδέσετε το ηλεκτρικό εργαλείο από την παροχή ρεύματος. Τέτοια προφυλακτικά μέσα μειώνουν τον κίνδυνο ακούσιας

εκκίνησης του ηλεκτρικού εργαλείου.

- Βεβαιωθείτε ότι τα ανοίγματα εξαερισμού δεν έχουν υπολείμματα.
- Το εργαλείο πρέπει να χρησιμοποιείται μόνο σε στεγνό, καλά φωτισμένο περιβάλλον.
- Αυτό το εργαλείο δεν πρέπει να χρησιμοποιείται από άτομα κάτω των 16 ετών.

Ασφάλεια στο χώρο εργασίας

Εξασφαλίστε καλό φωτισμό και τάξη στον χώρο εργασίας. Η ακαταστασία και ο κακός φωτισμός συμβάλλουν σε ατυχήματα. Πριν ξεκινήσετε την εργασία, προετοιμάστε και καθαρίστε την περιοχή, αφαιρέστε όλες τις πέτρες, τα κλαδιά, τα σύρματα και άλλα ξένα αντικείμενα που προεξέχουν από το έδαφος, τα οποία δημιουργούν κίνδυνο σκοντάμματος.

Να είστε ιδιαίτερα προσεκτικοί εάν η εργασία γίνεται σε επικλινές έδαφος ή πλαγιές.

Μην χρησιμοποιείτε την ηλεκτρική συσκευή σε εκρηκτικά περιβάλλοντα, δημιουργούμενα από εύφλεκτα υγρά, αέρια ή σκόνη. Η συσκευή μπορεί να παράγει σπινθήρες που μπορούν να προκαλέσουν ανάφλεξη της σκόνης ή των αναθυμιάσεων. Μην χρησιμοποιείτε το ηλεκτρικό πριόνι σε χώρους με μεγάλο κίνδυνο πυρκαγιάς ή έκρηξης.

Το πριόνι δεν προστατεύεται από το νερό. Η εργασία σε περιβάλλον βροχής ή υγρασίας μπορεί να προκαλέσει ηλεκτροπληξία.

Τα παιδιά και οι παρατηρητές δεν πρέπει να επιτρέπεται να βρίσκονται σε σημεία που χρησιμοποιείται συσκευή με ηλεκτροκίνητο κινητήρα. Η διάσπαση προσοχής μπορεί να σας κάνει να χάσετε τον έλεγχο της συσκευής. Ο ηλεκτρικός εξοπλισμός κήπου πρέπει να φυλάσσεται μακριά από μη εξουσιοδοτημένα άτομα.

Ο χειριστής ή ο χρήστης είναι υπεύθυνος για ατυχήματα ή κινδύνους που συμβαίνουν σε άλλα άτομα ή στο περιβάλλον.

Ηλεκτρική ασφάλεια

Η συσκευή πρέπει να συνδέεται μόνο σε πρίζα με χαρακτηριστικά που αντιστοιχούν στις τιμές της πινακίδας ονομαστικών τιμών.

Τα φισ των ηλεκτροεργαλείων πρέπει να ταιριάζουν με τις ηλεκτρικές πρίζες. Ποτέ μην τροποποιείτε το φισ του καλωδίου τροφοδοσίας με οποιονδήποτε τρόπο. Τα μη τροποποιημένα φισ και οι κατάλληλες ηλεκτρικές πρίζες μειώνουν τον κίνδυνο ηλεκτροπληξίας.

Αποφύγετε την επαφή του σώματος με γειωμένες ή συγκολλημένες με τη μάζα επιφάνειες, όπως σωλήνες, θερμάστρες, καλοριφέρ και ψυγεία. Εάν αγγίξετε γειωμένα μέρη ή με γείωση, ο κίνδυνος ηλεκτροπληξίας αυξάνεται.

Μην εκθέτετε τον ηλεκτρικό εξοπλισμό σε συνθήκες βροχής ή υγρασίας. Εάν το νερό εισέλθει στο ηλεκτρικό εργαλείο, ο κίνδυνος ηλεκτροπληξίας αυξάνεται.

Τα καλώδια σύνδεσης δεν πρέπει να τεντώνονται. Ποτέ μην χρησιμοποιείτε το καλώδιο τροφοδοσίας για μεταφορά, έλξη ηλεκτρικού εξοπλισμού ή τράβηγμα του φισ από την πρίζα. Κρατήστε το καλώδιο σύνδεσης μακριά από πηγές θερμότητας, λάδια, αιχμηρές άκρες ή κινούμενα μέρη. Τα χαλασμένα ή μπλεγμένα καλώδια σύνδεσης αυξάνουν τον κίνδυνο ηλεκτροπληξίας.

Ελέγξτε το καλώδιο τροφοδοσίας πριν από την εργασία. Μην επιχειρήσετε να εργαστείτε με το καλώδιο τροφοδοσίας ή το καλώδιο επέκτασης φθαρμένο, κομμένο ή κατεστραμμένο με άλλο τρόπο. Αν το καλώδιο τροφοδοσίας καταστρέφεται κατά τη χρήση, απενεργοποιήστε τη συσκευή και τραβήξτε το βύσμα από την πρίζα.

Εάν το ηλεκτρικό εργαλείο χρησιμοποιείται σε εξωτερικό χώρο, τα καλώδια σύνδεσης θα πρέπει να επεκταθούν με αδιάβροχα καλώδια προέκτασης που προορίζονται για χρήση σε εξωτερικούς χώρους. Η χρήση ενός τέτοιου καλωδίου προέκτασης μειώνει τον κίνδυνο ηλεκτροπληξίας. Η διατομή του

καλωδίου προέκτασης πρέπει να είναι τουλάχιστον 1,5 mm² όταν το μήκος του καλωδίου είναι μικρότερο από 20 m και εάν το μήκος του καλωδίου είναι μεταξύ 20 και 50 m, η ελάχιστη διατομή είναι 2,5 mm².

Χρησιμοποιήστε μια συσκευή υπολειπόμενου ρεύματος (RCD) ως προστασία από ηλεκτροπληξία. Η χρήση της συσκευής RCD μειώνει τον κίνδυνο ηλεκτροπληξίας. Ο εξοπλισμός θα πρέπει να τροφοδοτείται μέσω μιας συσκευής υπολειπόμενου ρεύματος με ονομαστικό ρεύμα που δεν υπερβαίνει τα 30 mA.

Γενικές πληροφορίες

Η συσκευή προορίζεται αποκλειστικά για εργασία στον κήπο της αυλής σύμφωνα με τους κανόνες περιγραφής και ασφάλειας που περιέχονται σε αυτές τις οδηγίες χρήσης.

Μετά την απενεργοποίηση του χορτοκοπτικού, η μεσινέζα/λεπίδα περιστρέφεται ακόμη για κάποιο χρονικό διάστημα. Περιμένετε μέχρι

να σταματήσει εντελώς ο κινητήρας και η μεσινέζα/λεπίδα πριν επανεκκινήσετε τη συσκευή.





Μην ενεργοποιείτε ή απενεργοποιείτε το χορτοκοπτικό σε σύντομα χρονικά διαστήματα.

Ο χειριστής του χορτοκοπτικού πρέπει να φορά κατάλληλα υποδήματα με αντιολισθητικές σόλες και μακριά παντελόνια για την προστασία των ποδιών. Μην εργάζεστε ξυπόλητοι ή σε σαγιονάρες ή σανδάλια.

Χρησιμοποιείτε πάντα το χορτοκοπτικό και με τα δύο χέρια. Λειτουργείτε τη συσκευή μόνο κατά τη διάρκεια της ημέρας ή κάτω από καλό τεχνητό φως.

ΣΥΜΒΟΛΑ

- Τα ακόλουθα σύμβολα ενδέχεται να εμφανίζονται στις οδηγίες χρήσης ή στην πινακίδα ονομασίας του εργαλείου.
- Αυτές οι σημάνσεις περιέχουν σημαντικές πληροφορίες για το προϊόν και οδηγίες για τον τρόπο χρήσης του.

	Διαβάστε τις οδηγίες χρήστη.		Φοράτε προστασία αυτιών
	Γενικές προειδοποιήσεις		Φοράτε προστατευτικά γάντια

	Κίνδυνος πυρκαγιάς		Φοράτε προστατευτική ενδυμασία
	Κίνδυνος ηλεκτροπληξίας		Φοράτε προστατευτική μάσκα
	Φοράτε γυαλιά ασφαλείας		Φοράτε αναπνευστική προστασία



Αν πάνω στη συσκευή βρίσκεται το σύμβολο του διαγραμμένου κάδου αυτό σημαίνει ότι το προϊόν καλύπτεται με τους κανονισμούς της ευρωπαϊκής οδηγίας 2012/19/EU. Πρέπει να εξοικειωθείτε με τις σχετικές απαιτήσεις του τοπικού συστήματος συγκέντρωσης απορριπτόμενου εξοπλισμού και υπολειμμάτων υλικού διάλυσης. Πρέπει να ακολουθήσετε τους τοπικούς κανονισμούς. Μην απορρίψετε το προϊόν μαζί με κανονικά οικιακά απορρίμματα. Η κατάλληλη απόρριψη παλιού προϊόντος προστατεύει από τα αρνητικά αποτελέσματα για το φυσικό περιβάλλον και την ανθρώπινη υγεία.



Το προϊόν κατασκευάστηκε από υλικά υψηλής ποιότητας και από συστήματα τα οποία μπορούν να ανακυκλωθούν και να χρησιμοποιηθούν ξανά.

ΧΡΗΣΙΜΟΠΟΙΕΙΤΕ ΤΑ ΜΕΣΑ ΑΤΟΜΙΚΗΣ ΠΡΟΣΤΑΣΙΑΣ

- Φοράτε γυαλιά ασφαλείας σύμφωνα με το πρότυπο En 166
- Φοράτε προστατευτικές μάσκες σύμφωνα με το πρότυπο En 149
- Χρησιμοποιείτε άλλο εξοπλισμό ατομικής προστασίας ακριβείας, ανάλογα με το είδος της εργασίας που εκτελείται.

Προβλεπόμενη χρήση:

Το εργαλείο κήπου προορίζεται για χρήση σε κήπους οικίων, για το κλάδεμα χόρτου και ζιζανίων, συνήθως σε περιοχές στις οποίες δεν μπορεί να έχει πρόσβαση η χλοοκοπτική μηχανή. Το εργαλείο κήπου δεν προορίζεται για εμπορική ή βιομηχανική χρήση.

Πριν ξεκινήσετε τη συσκευή:

Ελέγξτε την τεχνική κατάσταση της συσκευής και βεβαιωθείτε ότι κανένα από τα εξαρτήματα δεν έχει υποστεί ζημιά ότι το καρούλι με τη μεσινέζα ή η λεπίδα έχει εγκατασταθεί και στερεωθεί σωστά.

Πριν χρησιμοποιήσετε το χορτοκοπτικό, ελέγξτε το για σημάδια φθοράς ή φθοράς και επιστρέψτε το σε εξουσιοδοτημένο κέντρο σέρβις, εάν είναι απαραίτητο.

Ελέγξτε εάν οι παρευρισκόμενοι και τα ζώα βρίσκονται σε ασφαλή απόσταση από τον χώρο εργασίας του χορτοκοπτικού (τουλάχιστον 15 μέτρα).

Το χορτοκοπτικό πρέπει να αποσυνδεθεί από την παροχή ρεύματος σε περίπτωση διακοπής της εργασίας, πριν μετακινηθεί σε άλλο χώρο εργασίας και πριν από οποιαδήποτε εργασία στο ηλεκτρικό εργαλείο (π.χ. ρύθμιση ή καθαρισμός).

Περιγραφή συσκευής

1. Κινητήρας
2. Σκανδάλη διακόπτη
3. Μπλοκάρισμα διακόπτη
4. Λαβή
5. Κάλυμμα στερέωσης λαβής (τιμόνι)
6. Σωλήνας στερέωσης μονάδας κοπής
7. Σύνδεσμος προστατευτικού άξονα μετάδοσης κίνησης
8. Μονάδα κοπής (δίσκος κοπής, κεφαλή με μεσινέζα)
9. Προστατευτικό μονάδας κοπής / προστατευτικό ασφάλειας
10. Μαχαίρι κοπής μεσινέζας
11. Κιβώτιο ταχυτήτων
12. Βίδα ασφάλισης
13. Λουρί ώμου
14. Θέση πρόσδεσης για λουρί ώμου
15. Καλώδιο τροφοδοσίας
16. Λαβή

Εγκατάσταση του προστατευτικού της μονάδας κοπής (εγκατάσταση του προστατευτικού ασφαλείας):

Ξεβιδώστε τον ιμάντα που ασφαλίζει το προστατευτικό ασφαλείας. Επανατοποθετήστε το προστατευτικό, συνδέστε τον ιμάντα στερέωσης, ο οποίος πρέπει στη συνέχεια να σφίγγεται με βίδες.

Σύνδεση του άξονα μετάδοσης κίνησης:

Συνδέστε τα δύο μέρη του σωλήνα στα οποία βρίσκεται ο άξονας μετάδοσης κίνησης μέχρι να κλείσει ο πέρος ασφάλισης 1. Σφίξτε το παξιμάδι στερέωσης.



Αντικατάσταση του καρουλιού:

1. Ελέγξτε εάν ο διακόπτης είναι στη θέση απενεργ. και αφαιρέστε το βύσμα από την επαφή.
2. Πατήστε τους πλαϊνούς σφικτήρες του προστατευτικού, αφαιρέστε το εσωτερικό προστατευτικό από το καρούλι, κατόπιν το αφαιρέστε το από μέσα και αλλάξτε με ένα νέο.
3. Σπρώξτε το καρούλι πίσω στην υποδοχή του καρουλιού, διασφαλίζοντας ότι έχει στερεωθεί καλά.

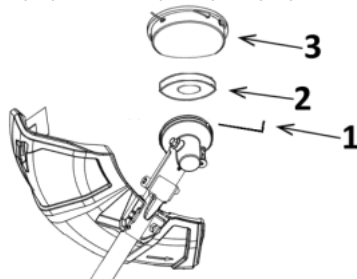
Εγκατάσταση καρουλιού με μεσινέζα



Ξεβιδώστε το παξιμάδι, το παξιμάδι ξεβιδώνεται δεξιόστροφα.

Αφαιρέστε το παξιμάδι από το συμπιεσμένο φύλλο και αφαιρέστε το διαχωριστικό.

Κλείστε με το εξαγώνο κλειδί τον άξονα κίνησης του μηχανισμού κοπής. Βιδώστε το πηνίο με μεσινέζα στρέφοντάς το αριστερόστροφα, να θυμάστε να κλειδώσετε με το εξαγώνο κλειδί τον άξονα κίνησης 1.



Εγκατάσταση της λεπίδας:





Ξεβιδώστε το παξιμάδι, το παξιμάδι ξεβιδώνεται δεξιόστροφα. Αφαιρέστε το παξιμάδι από το συμπιεσμένο φύλλο και αφαιρέστε τον αποστάτη. Τοποθετήστε το μαχαίρι με τρεις λεπίδες στον άξονα του κινητήριου άξονα. Τοποθετήστε το διαχωριστικό, στη συνέχεια τη ροδέλα από το πιεσμένο φύλλο. Κλείστε με το εξάγωνο κλειδί ον άξονα κίνησης του μηχανισμού κοπής. Βιδώστε το παξιμάδι 5 με το παρεχόμενο κλειδί αριστερόστροφα. Διάγραμμα: 1 εξάγωνο κλειδί, 2 ροδέλα, 3 μαχαίρια τριών βραχιόνων, 4 ροδέλα αποστάτη, 5 ροδέλα από σταμπωτή λαμαρίνα, 6 παξιμάδι.

Ιμάντας μεταφοράς:

Πριν από την εργασία, το άγκιστρο του ιμάντα μεταφοράς ή της εξάρτησης (λουριά) θα πρέπει να είναι κατάλληλα προσαρμοσμένο στο χρήστη

Ο ιμάντας πρέπει να τοποθετηθεί έτσι ώστε με τον ιμάντα στον αριστερό ώμο, το άγκιστρο του ιμάντα να στερεωθεί στην επέκταση του δρεπανιού στο ύψος του δεξιού ισχίου. Η εξάρτηση τοποθετείται στον αριστερό βραχίονα και το προστατευτικό ισχίου θα βρίσκεται στη δεξιά πλευρά του χειριστή, όπου βρίσκεται το σημείο κρεμάσματος του δρεπανιού. Αυτό το προστατευτικό προστατεύει τον χρήστη από τις δονήσεις του δρεπανιού εν λειτουργία και προστατεύει τα από την επαφή με το δρεπάνι.

Κούρεμα ΧΛΟΟΤΑΠΗΤΑ:

Μην κουρεύετε υγρά χόρτα. Τα καλύτερα αποτελέσματα κουρέματος επιτυγχάνονται όταν το γρασίδι είναι ξηρό. Το καλώδιο προέκτασης πρέπει να περνά από τον βραχίονα προς τα πίσω, προσέχοντας να βρίσκεται πάντα πίσω από τον χρήστη κατά την κοπή.

Κρατήστε τη συσκευή κεκλιμένη σε γωνία 20 μοιρών σε σχέση με το γρασίδι που έχει κουρευτεί, μετακινώντας την σε κίνηση εκκρεμούς, προς τα αριστερά και προς τα δεξιά. Δώστε προσοχή για να κρατήσετε τη συσκευή μακριά η μία από την άλλη - δείτε την εικόνα.



Η αποτελεσματική κοπή του χόρτου με τη συσκευή είναι δυνατή μόνο στην περίπτωση όταν το γρασίδι δεν υπερβαίνει τα 15 cm. Κρατήστε το χορτοκοπτικό μακριά από σκληρά αντικείμενα. Όταν η μεσινέζα ή η λεπίδα

έρθει σε επαφή με ένα σκληρό αντικείμενο, μπορεί να σπάσει, να προκαλέσει ζημιά στη μεσινέζα ή τη λεπίδα. Οι πέτρες μπορούν να πεταχτούν και να χτυπήσουν τα γύρω αντικείμενα με μεγάλη ταχύτητα, συμβάλλοντας στην πρόκληση ζημιάς. Απαγορεύεται η χρήση της συσκευής χωρίς προστατευτικό ασφαλείας.

Όταν χρησιμοποιείτε το χορτοκοπτικό, θυμηθείτε να διατηρείτε τη σωστή στάση του σώματος κατά τη διάρκεια της εργασίας.

ΚΟΥΡΕΜΑ ΓΥΡΩ ΑΠΟ ΘΑΜΝΟΥΣ ΚΑΙ ΔΕΝΤΡΑ

Κατά το κούρεμα χόρτου και ζιζανίων γύρω από θάμνους και δέντρα, πρέπει να δίνεται ιδιαίτερη προσοχή ώστε να αποφεύγεται η επαφή τους με την περιστρεφόμενη μεσινέζα ή λεπίδα. Βλάβη στο φλιό μπορεί να οδηγήσει στο θάνατο ενός δέντρου ή ενός θάμνου.

Εξαγωγή γραμμής:

Εάν η μεσινέζα είναι πολύ μικρή, πρέπει να τραβηχτεί. Η συσκευή είναι εξοπλισμένη με κεφαλή με αυτόματη προέκταση. Για να αφαιρέσετε τη μεσινέζα αυτόματα - πιέστε ελαφρά το καρούλι στο έδαφος.

Κατά τη διάρκεια αυτής της ενέργειας, θα πρέπει να θυμάστε ότι σπρώχνοντας τον καρούλι πολύ δυνατά ή πολύ απότομα πάνω στο έδαφος μπορεί να προκληθεί ζημιά στο καρούλι, γι' αυτό συνιστάται να εκτελέσετε τη λειτουργία χειροκίνητα για να αποφύγετε ζημιά στον καρούλι.

Καθαρισμός, συντήρηση:

1. Μετά από κάθε χρήση της συσκευής, καθαρίστε ολόκληρη τη συσκευή από τα υπολείμματα των φυτών και το κάτω προστατευτικό από τη συλλεγόμενη, συμπυκνωμένη μάζα.
2. Οι οπές εξαερισμού και το περίβλημα του κινητήρα πρέπει πάντα να είναι απαλλαγμένα από σκόνη και ακαθαρσίες στο μέτρο του δυνατού. Σκουπίστε τη συσκευή με ένα καθαρό πανί, βουρτσίστε ή φυσήξτε με πιεσιμένο αέρα.
3. Συνιστάται ο καθαρισμός να γίνεται αμέσως μετά από κάθε χρήση.
4. Μην χρησιμοποιείτε καθαριστικά ή διαλύτες για να καθαρίσετε τη συσκευή· μπορεί να προκαλέσουν ζημιά σε μέρη της συσκευής που είναι κατασκευασμένα από πλαστικό. Προσέξτε να μην μπει νερό στο εσωτερικό της συσκευής.
5. Ελέγχετε τακτικά την κατάσταση της μεσινέζας κοπής καθώς και το σφίξιμο των βιδών. Σε νέα μηχανήματα, ο πρώτος έλεγχος στεγανότητας βιδών πρέπει να πραγματοποιείται μετά από περίπου 2 ώρες λειτουργίας. Εάν είναι απαραίτητο, σφίξτε τις βίδες που έχουν χαλαρώσει.
6. Φροντίστε για τη σωστή κατάσταση όλων των εξαρτημάτων των ηλεκτρικού εργαλείου, καθώς και για τη μην υπερφόρτωση της συσκευής ή την εκτέλεση εργασιών για τις οποίες η μηχανή δεν προορίζεται

Ηλεκτρικό δρεπάνι

Τύπος κινητήρα: ηλεκτρικός, με ψήκτρες

Ισχύς κινητήρα: 1400 W

Περιστροφές: 7500 rpm

Διάμετρος κοπής μεσινέζα: mm / δίσκος: 420 mm

Είδος και τύπος κεφαλής: ημιαυτόματη / διπλή μεσινέζα

Συνιστώμενη διάμετρος μεζινέζας: από 1,6 mm έως 2,0 mm

Θόρυβος και δονήσεις.

Ο θόρυβος και οι δονήσεις έχουν μετρηθεί σύμφωνα με το πρότυπο 2000/14/EC, 2005/88/EC.

Εκπομπή θορύβου: Στάθμη ηχητικής πίεσης LpA: 75,51 dB (A)

Απόκλιση KpA: 3,00 dB (A)

Η μετρούμενη στάθμη ηχητικής ισχύος LwA: 95,51 dB (A)

Απόκλιση KwA: 0,93 dB (A)

Η εγγυημένη στάθμη ηχητικής ισχύος: LwA: 96,00 dB (A)

Συνολική τιμή δονήσεων και αβεβαιότητα μέτρησης (K):

Τιμή δονήσεων άνω άκρου: $7,95 \text{ m/s}^2$, $k=1,5 \text{ m/s}^2$

Η δηλωμένη συνολική τιμή δονήσεων έχει μετρηθεί σύμφωνα με την πρότυπη μέθοδο δοκιμής και μπορεί να χρησιμοποιηθεί για σύγκριση

μιας συσκευής με μια άλλη. Η δεδομένη τιμή εκπομπής δονήσεων μπορεί να χρησιμοποιηθεί για την προκαταρκτική εκτίμηση των αρνητικών επιπτώσεων.

Μετά από κάθε 15 λεπτά λειτουργίας – 15 λεπτά διάλειμμα.

Важни информации

За да постигнете максимална удовлетвореност, да се насладите на работата на продукта и да се запознаете с всички негови характеристики и функции, моля, прочетете това ръководство, преди да използвате този продукт. Преди да използвате устройството, прочетете ръководството и следвайте инструкциите, съдържащи се в него. Производителят не носи отговорност за щети, причинени от използването на устройството за цели, различни от тези, за които е предназначено, или от неправилно обслужване с него.

Съхранявайте настоящото ръководство да бъде използвано също и по време на по-нататъшната употреба на продукта.

- Уредът е предназначен за използване само в домакинството. Не го използвайте за други цели, различни от неговото предназначение.
- Уредът трябва да бъде включен само към захранващ контакт с характеристика, отговаряща на стойностите, посочени върху информационната таблица.
- Трябва да проверите, дали общата консумация на ток от всички устройства, свързани към стенния контакт не надвишава максималното натоварване на предпазителя.
- Ако използвате удължител, трябва да проверите, дали общата консумация на мощност от включеното към удължителя оборудване не надвишава натоварването на предпазителя. Кабелът на удължителя трябва да бъде разположен така, че да се избегне случайно дърпане и спъване.
- Не позволявайте на захранващия кабел да провисва над ръба на маса или рафт, или да допира до горещи повърхности.
- Уредът не е предназначен за управление с помощта на външен таймер, отделно дистанционно управление или друго оборудване, което може автоматично да включи

уреда.

- Преди извършването на дейностите по поддръжка трябва задължително да изключите уреда от захранването.
- Винаги трябва да изключвате захранващия кабел като издърпате щепсела. Никога не
- бива да изключвате захранващия кабел дърпайки за кабела, тъй като това може да повреди щепсела или кабела, а в краен случай да доведе дори до смъртоносен токов удар.
- Не бива да оставяте включен към контакта уред без надзор.
- Не потапяйте уреда във вода или в друга течност.
- Уредът трябва да бъде редовно почистван съгласно препоръките, описани в раздел Почистване и поддръжка на уреда.
- Не поставяйте уреда в близост до източници на топлина, пламък, електрически отоплителен елемент или върху гореща фурна; Не поставяйте върху никакъв друг уред.
- Уредът може да се използва от хора с ограничени физически, сетивни или умствени способности, както и непритежаващи познания или опит за използване на този вид оборудване, при условие, че те са под надзор или са получили инструкции за безопасния начин на работата с този уред и са информирани за потенциалните опасности. Когато в близост до включения уред са на мират деца или домашни животни, трябва да запазите особено внимание при работа с уреда. Децата не бива да си играят с уреда.
- Не използвайте уреда в близост до лесно запалими материали.
- Не излагайте уреда на въздействието на атмосферни фактори (дъжд, слънце и др.), нито не го използвайте в помещения с повишена влажност (баня, влажни бунгала).

- Периодично проверявайте състоянието на захранващия кабел. Ако захранващият кабел е повреден, той трябва да бъде сменен от представител на производителя или на специализиран ремонтен сервиз или от квалифицирано лице, за да се избегне опасност.
- Не използвайте уред с повреден захранващ кабел, щепсел или ако е бил изпуснат или повреден по друг начин, или ако не работи правилно. Не ремонтирайте самостоятелно уреда, тъй като това може да доведе до токов удар. Повредения уред трябва да предадете в съответен сервизен пункт за проверка и ремонт. Всички ремонти трябва да бъдат извършени само от оторизирани сервизни пунктове. Неправилно извършен ремонт може да причини сериозна опасност за потребителя.
- Използвайте само оригинални аксесоари или препоръчани от производителя. Използването на други аксесоари, различни от препоръчаните от производителя, може да доведе до повреда на уреда или да причини опасност за безопасната експлоатация.
- Поддържайте работното си място подредено и добре осветено.
- Безредицата и недостатъчното осветление водят до инциденти.
- Не използвайте електроинструменти във взривоопасна атмосфера, т.е. в присъствието на запалими течности, газове или прах.
- Дори при миг невнимание рискувате да изгубите контрол над инструмента.
- Ако е възможно да се монтират електрически инструменти за извличане или събиране на прах, проверете дали те са монтирани и работят правилно. Използването на такива електроинструменти намалява риска, свързан с наличието на прах.
- Не се накланяйте прекалено много с електроинструмента.

Поддържайте стабилна стойка и равновесие. Това ще ви осигури по-добър контрол върху електроинструмента в неочаквани ситуации.

- Избягвайте случайното стартиране на електроинструмента. Уверете се, че превключвателят на захранването е в положение OFF (изключено), преди да включите електроинструмента. Пренасянето на електроинструмента с пръст върху спусъка или свързването на електроинструмента към електрическата мрежа след включването му може да доведе до злополуки.
- Носете подходящо облекло. Не работете със свободни дрехи и не носете бижута по време на работа. Пазете косата, дрехите и ръкавиците далеч от движещите се части. Движещите се части на електроинструмента могат да се захванат и да издърпат свободно облекло, бижута или дълга коса.
- Преди да стартирате електроинструмента, извадете от него всички гаечни ключове или инструменти. Инструмент или гаечен ключ, който все още е прикрепен към въртящата се част на електроинструмента, може да причини телесни повреди.
- При работа с електроинструменти използвайте повишено внимание, концентрация и здрав разум. Не използвайте електроинструмента, когато сте уморени или сте под въздействието на наркотици, алкохол или лекарства. Само миг невнимание по време на работа с електроинструмент може да доведе до сериозен инцидент.
- Пазете децата далеч от работната зона и НЕ позволявайте на децата да дърпат захранващия кабел - това може да доведе до сериозни наранявания.
- Преди да извършвате каквито и да било настройки, да сменяте аксесоари или да съхранявате електроинструмента, преместете превключвателя в

положение "Изключено", за да изключите електроинструмента от захранването. Тези предпазни мерки намаляват риска от случайно стартиране на електроинструмента.

- Уверете се, че вентилационните отвори са свободни от отлагания.
- Инструментът може да се използва само в суха и добре осветена среда.
- Този инструмент не трябва да се използва от лица под 16-годишна възраст.

Електрическа безопасност

Продуктът трябва да бъде включен само в електрически контакт с характеристика, съответстваща на стойностите, посочени в номиналната табелка.

Щепселите на електроинструментите трябва да бъдат съвместими с електрическите контакти. Никога и по никакъв начин не модифицирайте щепсела на захранващия кабел. Непроменени щепсели и съответните електрически контакти намаляват риска от токов удар.

Избягвайте да допирате заземени или свързани с нулевия потенциал повърхности като тръби, нагреватели, радиатори и хладилници. При контакт със заземени или свързани с нулевия потенциал повърхности опасността от токов удар се увеличава.

Не излагайте електрическото оборудване на въздействието на дъжд или влажни условия. Ако водата навлезе в електрическия инструмент, рискът от токов удар се увеличава.

Не излагайте електрическото оборудване на въздействието на дъжд или влажни условия. Ако водата навлезе в електрическия инструмент, рискът от токов удар се увеличава.

Не опъвайте захранващите кабели. Никога не използвайте

захранващия кабел за пренасяне, теглене на електрическото оборудване или за изтегляне на щепсела на уреда от контакта. Пазете захранващия кабел далеч от източници на топлина, масла, остри ръбове или движещи се части. Повредени или заплетени захранващи кабели повишават опасността от токов удар.

Преди да започнете работа, проверете захранващия кабел. Не започвайте работа, ако захранващият кабел или удължителят е протрит, срязан или повреден по друг начин. Ако захранващият кабел е повреден по време на употреба, изключете уреда и извадете щепсела от електрическия контакт.

В случай че електроинструментът се използва на открито, захранващите кабели трябва да бъдат удължени с водоустойчиви удължители, предназначени за работа на открито. Използването на такъв удължител намалява риска от токов удар. Напречното сечение на удължителния кабел трябва да бъде най-малко $1,5 \text{ mm}^2$, когато дължината на кабела е по-малка от 20 m, а ако дължината на кабела е между 20 и 50 m, минималното напречно сечение е $2,5 \text{ mm}^2$.

Като защита срещу удар от захранващо напрежение трябва да се използва диференциалнотокова защита (RCD). Използването на дефектнотоково устройство RCD намалява опасността от токов удар. Оборудването трябва да се захранва чрез диференциално токов прекъсвач с номинален ток не по-голям от 30 mA.

Обща информация

Този уред е предназначен да се използва само в домашна градина, съгласно описанието и правилата за безопасност от настоящата инструкция за употреба.

След изключване на тримера, кордата/острието се върти още известно време. Изчакайте, докато движението на двигателя и кордата/острието спре напълно,

преди да рестартирате уреда.

Не включвайте и не изключвайте тримера на кратки интервали.

Операторът на тримера трябва да носи подходящи обувки с противоплъзгащи се подметки и дълги панталони за защита на краката. Не работете боси или в джапанки или сандали.

Винаги дръжте тримера с двете ръце.

Използвайте уреда само през деня или при добро изкуствено осветление.

СИМВОЛИ

- В инструкции боравене или На чиния табелка с данни инструменти те могат се появи себе си следнотосимволи.
- Тезимаркировките съдържат важна информация за продукта и инструкции как да го използвате.

	Прочетете ръководството за потребителя.		Използвайте защита за ушите
	Общо предупреждение		Носете защитни ръкавици
	Пожарна опасност		Носете защитно облекло
	Опасност от токов удар		Носете гозащитна маска
	Носете предпазни очила		Използвайте респираторна защита



Ако продуктът е означен със символ на зачеркната кофа за боклук, това означава, че продуктът е в съответствие с Европейската директива 2012/19/EU. Трябва да се запознаете с изискванията относно местното разделно събиране на излязлото от употреба електронно и електрическо оборудване. Да се следват действащите местни разпоредби. Този продукт не бива да се изхвърля заедно с битовите отпадъци. Правилното утилизиране на излезлия от употреба продукт ще предотврати потенциалните негативни ефекти върху природната среда и човешкото здраве.



Уредът е произведен от висококачествени материали и подвззли, които подлежат на рециклиране и повторно използване.

ИЗПОЛЗВАЙТЕ ЛИЧНА ЗАЩИТА

- Използвайте предпазни очила в съответствие със стандарта En166
- Използвайте защитни маски в съответствие със стандарта En149
- Използвайте други прецизни лични предпазни средства, в зависимост от вида на извършваната работа.

Предназначение:

Градинският инструмент е предназначен за домашна употреба, за подрязване на трева и плевели, обикновено в зони, до които косата няма достъп. Градинският инструмент не е предназначен за търговска или промишлена употреба.

Преди стартиране на устройството:

Проверете техническото състояние на уреда и се уверете, че нито един от компонентите не е повреден и че макарата с кордата или острието е правилно монтирана и закрепена.

Преди да използвате тримера, проверете за признаци на износване или повреда и при необходимост го предайте в оторизиран сервизен център.

Проверете дали случайните минувачи и животните са на безопасно разстояние от работното място на тримера (най-малко 15 метра).

Тримерът трябва да бъде изключен от захранването в следните случаи: ако прекъсвате работата, преди преместването му на друго работно място и преди всякакви работни дейности по електроинструмента (напр. регулиране или почистване).

Описание на уреда:

- | | |
|--|------------------------------------|
| 1. Двигател | 9. Защита на режещия блок / защита |
| 2. Спусък за действие | 10. Нож за рязане на кордата |
| 3. Блокада на спусъка | 11. Редуктор |
| 4. Ръкохватка | 12. Обезопасителен винт |
| 5. Капак на закрепването на ръкохватката (кормилото) | 13. Колан за носене на рамо |
| 6. Тръба за монтаж на режещия блок | 14. Място за закрепване на колана |
| 7. Съединителен елемент на защитата на задвижващия вал | 15. Захранващ кабел |
| 8. Режещ блок (режещ диск, глава с корда) | 16. Ръкохватка |

Монтиране на защитата на режещия блок (монтиране на предпазната защита):

Демонтирайте лентата, която обезопасява предпазната защита. Поставете защитата, монтирайте монтажната лента, която след това трябва да бъде затегната с винтове.

Свързване на задвижващия вал:

Свържете двете части на тръбата, в които се намира задвижващият вал, докато заключващият щифт 1 се задейства. Затегнете гайката за закрепване.



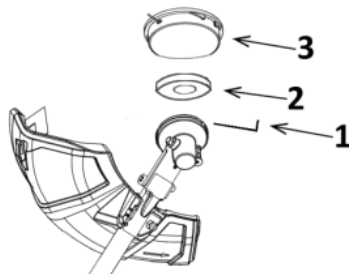
Подмяна на макарата:

1. Проверете дали превключвателят е в положение изключено и извадете щепсела от контакта.
2. Натиснете страничните ключалки на капака на макарата, извадете вътрешната защита от макарата, след което я извадете и я заменете с нова.
3. Поставете макарата обратно в държача, като се уверите, че тя е поставена на правилното място.

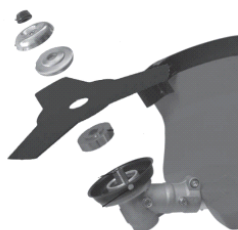
Монтаж на макара с корда



Развийте гайката, гайката се развива по посока на часовниковата стрелка. Отстранете шайбата от пресована ламарина, извадете дистанционната вложка. Блокирайте оста на задвижване на приставката за рязане с шестограмен ключ. Завийте макарата с кордата, като я завъртите обратно на часовниковата стрелка, като не забравяйте да заключите задвижващия вал 1 с шестограмния ключ.



Монтаж на острието:



Развийте гайката, гайката се развива по посока на часовниковата стрелка. Отстранете шайбата от пресована ламарина, извадете дистанционната вложка. Монтирайте ножа с три остриета върху оста на задвижващия вал. Инсталирайте дистанционната вложка, след което монтирайте шайбата от пресованата ламарина. Блокирайте оста на задвижване на приставката за рязане с шестограмен ключ. Завийте гайката 5 с предоставения гаечен ключ обратно на часовниковата стрелка. Схема: 1 шестограмен ключ, 2 шайба, 3 нож с три остриета, 4 дистанционна вложка, 5 шайба от пресована ламарина, 6 гайка.

Презрамка за носене:

Преди да започнете работа, регулирайте правилно колана или сбруята към потребителя. Коланът трябва да бъде поставен така, че поставен на лявото рамо куката на колана да бъде монтирана върху удължението на косата на височината на дясното бедро. Коланът се поставя на лявото рамо, а предпазителят на тазобедрената става ще бъде разположен от дясната страна на оператора, където е разположена точката на окачване на косата. Този предпазиел защитава потребителя от вибрации на работещия инструмент и също така предпазва от контакт с косачката.

Косене на ТРЕВА:

Не косете мокра трева. Най-добри резултати при косене се получават, когато тревата е суха. Удължителният кабел трябва да се прекарва през рамото назад, като се внимава винаги да бъде зад потребителя при работа.

Дръжте уреда наклонен под ъгъл от 20 градуса спрямо косената трева, като го движите с люлеещо движение наляво и надясно. Обърнете внимание да държите уреда далеч от себе си - вижте фигурата.



Ефективно косене на трева с уреда е възможно само в случай на трева не по-висока от 15 cm. Дръжте тримера далеч от твърди предмети. Когато кордата или острието влезе в контакт с твърд предмет, то може да се скъса, да се повреди кордата или острието. Камъните могат да бъдат изхвърлени и да ударят околните обекти с висока скорост, водейки до повреди. Забранено е използването на уреда без предпазна защита.

Когато използвате тримера, не забравяйте да поддържате правилната стойка на тялото по време на работа.

КОСЕНЕ ОКОЛО ХРАСТИ И ДЪРВЕТА

При подрязване на тревата и плевелите около храстите и дърветата трябва да се внимава изключително много, за да се избегне контактът им с въртящата се корда или острие. Повреда на кордата може да доведе до смърт на дървото или храста.

Изтегляне на кордата:

Ако кордата е твърде къса, издърпайте я. Уредът е оборудван с глава с автоматично изтегляне на кордата. За да извадите кордата автоматично - натиснете макаратата леко към земята.

По време на тази дейност трябва да се помни, че твърде силното или внезапно натискане на макаратата към земята може да причини повреда на макаратата, затова се препоръчва тази дейност да се извърши ръчно, за да се предотврати повреда на макаратата.

Почистване, поддръжка:

1. След всяка употреба на устройството почиствайте цялото устройство от растителни остатъци и долната защита от събраната, сбита маса.
2. Вентилационните слотове и корпусът на двигателя трябва винаги да са чисти от прах и замърсявания, доколкото е възможно. Избършете уреда с чиста кърпа, четка или продухайте със сгъстен въздух.
3. Препоръчва се да се почисти веднага след всяка употреба.
4. Не използвайте почистващи препарати или разтворители за почистване на уреда; могат да повредят елементите на изделието, изработени от пластмаса. Внимавайте в уреда да не прониква вода.

- Редовно трябва да се проверява състоянието на кордата, както и затягането на винтовете. При нови машини първата проверка за затягане на болтовете трябва да се извърши след около 2 часа работа на тримера. Ако е необходимо, затегнете разхлабените винтове.
- Погрижете се за правилното състояние на всички компоненти на електроинструмента, както и не го претоварвайте и не извършвайте работа, за която уредът не е предназначен

Електрическа коса

Тип двигател: електрически, четков

Мощност на двигателя: 1400 W

Скорост на въртене: 7500 rpm

Диаметър на косене с корда : 420 mm

Вид и тип на главата: полуавтоматична / двойна линия

Препоръчителен диаметър на кордата: от 1,6 mm до 2,0 mm

Шум и вибрации.

Шумът и вибрациите са измерени в съответствие със стандарт 2000/14/EC, 2005/88/EC .

Емисия на шум: Ниво на акустично налягане LpA: 75,51 dB (A)

Отклонение KpA: 3,00 dB (A)

Измерено ниво на звукова мощност LwA: 95,51 dB (A)

Отклонение KwA: 0.93 dB (A)

Гарантирано ниво на звукова мощност: LwA: 96,00 dB (A)

Обща стойност на вибрациите и неопределеност на измерването (K):

Стойност на вибрациите, въздействащи на горните крайници: $7,95 \text{ m/s}^2$, $k=1,5 \text{ m/s}^2$

Декларираната обща стойност на вибрациите е измерена по стандартния метод на изпитване и може да се използва за сравняване на

едно устройство с друго. Посочената стойност на вибрационните емисии може да се използва за предварителна оценка на отрицателното въздействие.

След всеки 15 минути работа – 15 минути почивка.

INFORMAȚII IMPORTANTE

Pentru a obține cea mai mare satisfacție, a vă bucura de performanța produsului și pentru a afla toate caracteristicile și funcțiile acestuia, vă rugăm să citiți acest manual înainte de a utiliza acest produs.

Înainte de a utiliza dispozitivul, citiți instrucțiunile de utilizare și urmați instrucțiunile conținute în acestea. Producătorul nu este responsabil pentru nicio daune cauzate de utilizarea dispozitivului contrar utilizării prevăzute sau de funcționare necorespunzătoare.

Manualul de instrucțiuni trebuie păstrat astfel încât să poată fi utilizat și în timpul utilizării ulterioare a produsului.

- Aparatul este utilizat numai pentru uz casnic. Nu utilizați în alte scopuri decât cele prevăzute.
- Aparatul trebuie conectat exclusiv la o priză cu caracteristici compatibile cu valorile înscrise pe plăcuța de identificare.
- Asigurați-vă că consumul total de energie al tuturor dispozitivelor conectate la priza de perete nu depășește sarcina maximă a siguranței.
- În cazul în care utilizați un cablu prelungitor, asigurați-vă că consumul total de energie al aparatului conectat la cablul prelungitor nu depășește parametrii de sarcină ai cablului prelungitor. Cablul prelungitor trebuie să fie aranjat astfel, încât să se evite tragerea sa accidentală și împiedicarea de acesta.
- Nu permiteți ca cablul de alimentare a aparatului să atârne pe marginea unei mese sau un raft, sau să atingă o suprafață fierbinte.
- Aparatul nu este proiectat pentru a fi controlat prin intermediul unui temporizator extern, a unei telecomenzi separate sau a altui echipament, care poate porni aparatul în mod automat.
- Înainte de efectuarea lucrărilor de întreținere trebuie să deconectați neapărat aparatul de la sursa de alimentare.

- Deconectând cablul de alimentare trebuie să trageți întotdeauna de ștecher. Niciodată nu
- trebuie să scoateți cablul de alimentare din priză trăgând de cablu, deoarece priza sau cablul poate să se deterioreze sau în cazuri extreme se poate ajunge la o electrocutare soldată cu moartea.
- Nu lăsați echipamentul conectat la priză fără supraveghere.
- Nu scufundați aparatul în apă sau orice alt lichid.
- Dispozitivul ar trebui să fie curățat în mod regulat în conformitate cu recomandările descrise în secțiunea privind curățarea și întreținerea.
- Nu așezați aparatul în apropierea surselor de căldură, de flăcări, sau lângă un element de încălzire electric sau un cuptor fierbinte. Nu-l plasați pe nici un alt dispozitiv.
- Aparatul poate fi utilizat de persoanele cu dezabilități fizice, senzoriale sau mentale limitate, precum și de cele care nu au cunoștințe sau experiență în utilizarea acestui tip de echipament, cu condiția, ca acestea să fie supravegheate sau instruite cu privire la modul de utilizare a acestui aparat într-un mod sigur și să fie informate cu privire la pericolele potențiale.
- Este necesară o prudență maximă atunci când utilizați aparatul în apropierea copiilor sau animalelor de companie. Nu permiteți copiilor să se joace cu aparatul.
- Nu folosiți aparatul în apropierea materialelor inflamabile.
- Nu expuneți aparatul la acțiunea condițiilor meteorologice (ploaie, soare, etc.) și nu-l utilizați în condiții de umiditate ridicată (băi, case de camping umede).
- Verificați periodic starea cablului de alimentare. În cazul în care, cablul de alimentare ne deconectat se va deteriora, atunci acesta trebuie înlocuit la producător sau la un punct de service specializat sau de către o persoană calificată, pentru a evita pericolul.
- Nu utilizați aparatul cu un cablu de alimentare, un ștecher

deteriorat sau dacă a fost scăpat pe jos sau deteriorat în vreun alt mod sau funcționează defectuos. Nu reparați singuri aparatul, deoarece acest lucru poate provoca șoc electric. Aparatul deteriorat trebuie dus la un centru de service corespunzător pentru verificare sau reparații. Orice reparații pot fi efectuate numai de punctele de service autorizate. Reparația necorespunzătoare poate duce la un pericol serios pentru utilizator.

- Utilizați numai accesorii originale la aparat sau recomandate de către producător. Utilizarea accesoriilor nerecomandate de producător poate duce la deteriorarea aparatului și punerea în pericol a siguranței de utilizare.
- Păstrați-vă locul de muncă ordonat și bine iluminat.
- Dezordinea și iluminarea insuficientă duc la accidente.
- Nu utilizați unelte electrice în atmosfere potențial explozive, adică în prezența lichidelor, gazelor sau prafului inflamabile.
- Un moment de neatenție poate duce la pierderea controlului instrumentului.
- Dacă sunt disponibile instrumente de extracție sau colectare a prafului, verificați dacă acestea sunt atașate și funcționează corect. Utilizarea unor astfel de scule electrice reduce riscul prezentat de prezența prafului.
- Nu vă aplecați prea departe cu unealta electrică. Mențineți o postură și un echilibru stabil. Datorită acestui lucru, veți avea un control mai bun asupra uneltei electrice în situații neprevăzute.
- Evitați pornirea accidentală a uneltei electrice. Asigurați-vă că întrerupătorul de alimentare este în poziția OPRIT înainte de a conecta unealta electrică la rețea. Mutarea uneltei electrice cu degetul pe declanșator sau conectarea uneltei electrice la rețeaua de alimentare după pornire poate duce la accidente.
- Purtați îmbrăcăminte adecvată. Nu lucrați în haine largi și nu purtați bijuterii în timpul lucrului. Păstrați părul,

Îmbrăcămintea și mănușile departe de piesele în mișcare. Piesele mobile ale uneltei electrice pot prinde și trage hainele largi, bijuteriile sau părul lung.

- Scoateți toate cheile sau uneltele de pe unealta electrică înainte de a o porni. O unealtă sau o cheie conectată în continuare la partea rotativă a uneltei electrice poate provoca vătămări corporale.
- Când lucrați cu unelte electrice, fiți atenți, concentrați-vă asupra muncii și folosiți bunul simț. Nu utilizați unealta electrică dacă sunteți obosit sau sub influența drogurilor, alcoolului sau medicamentelor. Chiar și un moment de neatenție atunci când lucrați cu unealta electrică poate duce la un accident grav.
- Țineți copiii departe de zona de lucru și NU permiteți copiilor să tragă de cablul de alimentare - acest lucru poate provoca vătămări grave.
- Înainte de a face orice reglare, de a schimba accesoriile sau de a depozita unelte electrice, rotiți comutatorul de alimentare în poziția oprit pentru a deconecta unealta electrică de la sursa de alimentare. Aceste acțiuni preventive reduc riscul de pornire accidentală a uneltei electrice.
- Asigurați-vă că orificiile de ventilație nu prezintă depuneri.
- Aparatul poate fi utilizat numai într-un mediu uscat, bine luminat.
- Acest instrument nu trebuie utilizat de către persoanele sub 16 ani.

Securitate electrică

Aparatul trebuie conectat exclusiv la o priză cu caracteristici compatibile cu valorile înscrise pe plăcuța de identificare. Ștecherile uneltelor electrice trebuie să se potrivească cu prizele electrice. Nu modificați niciodată ștecherul cablului de alimentare în niciun fel. Fișele nemodificate și prizele electrice adecvate reduc riscul de electrocutare.

Evitați să atingeți suprafețele împământate sau legate la masă, cum ar fi țevi, încălzitoare, radiatoare și frigidere. În cazul în care atingeți piesele împământate sau legate la masă, riscul de electrocutare crește.

Nu expuneți echipamentul alimentat electric la ploaie sau condiții de umiditate. Dacă apa pătrunde în unealta electrică, riscul de electrocutare crește.

Nu întindeți excesiv cablurile de conectare. Nu utilizați niciodată cablul de conectare pentru a transporta, a trage echipamentul electric sau a scoate ștecherul din priză. Păstrați cablul de conectare departe de surse de căldură, uleiuri, muchii ascuțite sau piese mobile. Cablurile de conectare, deteriorate sau încurcate, cresc riscul de electrocutare.

Înainte de a începe lucrul, verificați cablul de alimentare. Nu lucrați în cazul în care cablul de alimentare sau prelungitorul sunt roase, tăiate sau deteriorate în alt mod. În cazul în care cablul de alimentare este deteriorat în timpul utilizării, opriți dispozitivul și scoateți ștecherul din priză.

Dacă unealta electrică este utilizată în aer liber, cablurile de conectare trebuie prelungite cu prelungitoare impermeabile destinate funcționării în condiții externe. Utilizarea unui astfel de prelungitor reduce riscul de electrocutare. Secțiunea transversală a unui fir de prelungitor trebuie să fie de cel puțin $1,5 \text{ mm}^2$ atunci când lungimea cablului este mai mică de 20 m, iar dacă lungimea cablului este cuprinsă între 20 și 50 m, secțiunea transversală minimă este de $2,5 \text{ mm}^2$.

Protecția la curenți reziduali (RCD) trebuie utilizată ca protecție împotriva șocurilor cauzate de tensiunea de alimentare.

Utilizarea unui RCD reduce riscul de electrocutare. Echipamentul trebuie alimentat printr-un întrerupător de curenți diferențiali cu un curenți nominal care nu depășește 30 mA.

Informații generale

Acest dispozitiv este destinat utilizării numai în grădina de

acasă, conform descrierii și regulilor de securitate incluse în aceste instrucțiuni de utilizare.

După oprirea trimmer-ului, firul/lama se mai rotește un timp.

Așteptați până la

oprirea completă a motorului și a firului/lamei înainte de a reporni dispozitivul.

Nu porniți sau opriți trimmer-ul la intervale scurte de timp.

Operatorul trimmer-ului trebuie să poarte încălțăminte adecvată cu tălpi antiderapante și pantaloni lungi pentru a-și proteja picioarele. Nu lucrați desculț sau purtând șlapi sau sandale.

Lucrați întotdeauna cu trimmer-ul cu ambele mâini.

Utilizați dispozitivul numai în cursul zilei sau cu o bună iluminare artificială.

SIMBOLURI

- Următoarele simboluri pot apărea în instrucțiunile de utilizare sau pe plăcuța de identificare a sculei.
- Aceste marcaje conțin informații importante despre produs și sfaturi privind modul de utilizare a acestuia.

	Citiți manualul de utilizare.		Utilizați mijloace de protecție a urechilor
	Avertisment general		Purtați mănuși de protecție
	Pericol de incendiu		Purtați îmbrăcăminte de protecție
	Pericol de electrocutare		Purtați mască de protecție
	Purtați ochelari de protecție		Utilizați mijloace de protecție a căilor respiratorii



Dacă pe aparat se află simbolul coș de gunoi barbat, aceasta înseamnă că produsul care intră sub incidența Directivei Europene 2012/19/EU. Vă rugăm să consultați cerințele sistemului local de colectare a echipamentelor electrice și electronice uzate. Trebuie să procedați în conformitate cu reglementările locale. Se interzice aruncarea acestui produs împreună cu gunoiul menajer. Eliminarea corectă a produsului dumneavoastră vechi va preveni consecințe negative asupra mediului înconjurător și asupra sănătății umane.



Produsul a fost fabricat din materiale și componente de înaltă calitate care pot fi supuse reciclării și utilizate din nou.

UTILIZAȚI ECHIPAMENTE DE PROTECȚIE INDIVIDUALĂ

- Purtați ochelari de protecție în conformitate cu standardul En166
- Purtați măști de protecție în conformitate cu standardul En149
- Folosiți alte echipamente de protecție personală de precizie, în funcție de tipul de muncă desfășurat.

Destinație:

Unealta de grădină este concepută pentru lucrări în jurul casei, pentru tăierea ierbii și a buruienilor, de obicei în zone la care mașina de cosit nu are acces. Unealta de grădină nu este destinată utilizării comerciale sau industriale.

Înainte de pornirea dispozitivului:

Verificați starea tehnică a dispozitivului și asigurați-vă că niciuna dintre componente nu este deteriorată și că bobina cu firul sau lama este instalată și fixată corect.

Înainte de a utiliza trimmer-ul, verificați dacă există semne de uzură sau deteriorare și predați-l la un centru de service autorizat, dacă este necesar.

Verificați dacă persoanele terțe și animalele se află la o distanță sigură de locul de muncă al trimmer-ului (cel puțin 15 metri).

Trimmer-ul trebuie să fie deconectat de la sursa de alimentare în caz de pauze de lucru, înainte de a-l muta la un alt loc de muncă și înainte de orice intervenții la unealta electrică (de exemplu, reglare sau curățare).

Descrierea dispozitivului

- | | |
|---|---|
| 1. Motor | 9. Apărătoarea unității de tăiere/apărătoare de siguranță |
| 2. Declanșator de pornire | 10. Cuțit de tăiere a firului |
| 3. Blocadă pornire | 11. Transmisie |
| 4. Mâner | 12. Șurub de protecție |
| 5. Capac de fixare a mânerului (ghidon) | 13. Curea de umăr |
| 6. Tubul de fixare a unității de tăiere | 14. Locul de fixare a curelei de umăr |
| 7. Conector al apărătorii arborelui de acționare | 15. Cablu de alimentare |
| 8. Unitate de tăiere (disc de tăiere, cap cu fir) | 16. Mâner |

Instalarea apărătorii unității de tăiere (instalarea apărătorii de siguranță):

Deșurubați brașara care fixează apărătoarea de siguranță. Așezați apărătoarea, instalați brașara de fixare, care trebuie apoi strânsă cu șuruburi.

Conectarea arborelui de acționare:

Conectați cele două elemente ale tubului în care este amplasat arborele de acționare până la închiderea știftului de blocare 1. Strângeți piulița de fixare.



Înlocuirea bobinei:

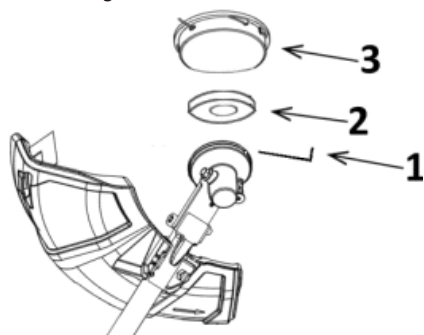
1. Verificați dacă comutatorul este în poziția oprit și scoateți ștecherul din priză.
2. Apăsăți încuietorile laterale ale apărătorii bobinei, scoateți apărătoarea interioară de pe bobină, apoi scoateți-o afară și înlocuiți-o cu alta nouă.
3. Împingeți bobina înapoi în suportul bobinei, asigurându-vă că aceasta este bine fixată în poziția sa.



Deșurubați piulița, piulița se deșurubează în sensul acelor de ceasornic.

Scoateți șaiba din foaia de tablă presată, scoateți șaiba de distanțare.

Blocați arborele de acționare a accesoriului de tăiere cu o cheie hexagonală. Înșurubați bobina cu firul de tăiere rotind-o în sensul invers acelor de ceasornic, nu uitați să blocați arborele de acționare 1 cu cheia hexagonală.



Instalarea lamei:



Deșurubați piulița, piulița se deșurubează în sensul acelor de ceasornic. Scoateți șaiba din foaia de tablă presată, scoateți șaiba de distanțare. Instalați cuțitul cu trei brațe pe osia arborelui de acționare. Instalați șaiba de distanțare, apoi șaiba din foaia de tablă presată. Blocați osia arborelui de acționare a accesoriului de tăiere cu o cheie hexagonală. Înșurubați piulița 5 cu cheia furnizată în sensul invers al acelor de ceasornic. Schemă: 1 cheie hexagonală, 2 șaibă, 3 cuțit cu trei brațe, 4 șaibă de distanțare, 5 șaibă din foaia de tablă presată, 6 piuliță.

Curea portantă:

Înainte de a lucra, reglați corect cârligul curelei portante sau a hamului pentru a-l potrivi la utilizator. Cureaua trebuie reglată astfel încât, cu curea plasată pe umărul stâng, cârligul pentru curea să fie montat pe extensia coasei, la înălțimea șoldului drept. Hamul este amplasat pe brațul stâng, iar apărătoarea șoldului se va afla în partea dreaptă a operatorului, în locul în care se află punctul de suspendare al coasei. Acest capac protejează utilizatorul împotriva vibrațiilor coasei de lucru și, de asemenea, protejează împotriva contactului cu coasa.

Cositul IERBII:

Nu tundeți iarba udă. Cele mai bune rezultate de cosit sunt obținute atunci când iarba este uscată. Cablul prelungitor trebuie trecut peste braț spre spate, având grijă ca acesta să se afle întotdeauna în spatele utilizatorului în timpul tăierii.

Țineți dispozitivul înclinat la un unghi de 20 de grade față de iarba cosită, deplasându-l cu o mișcare de pendul, spre stânga și spre dreapta. Acordați atenție păstrării dispozitivului departe de sine - consultați figura.



Tunderea eficientă a ierbii cu ajutorul dispozitivului este posibilă numai în cazul în care iarba nu depășește lungimea de 15 cm. Nu apropiați trimmer-ul de obiecte dure. În cazul în care firul sau lama intră în contact cu un obiect dur, firul se poate rupe, iar firul sau lama se pot deteriora. Pietrele pot fi aruncate și pot lovi obiectele din jur cu o viteză mare, provocând pagube. Este interzisă utilizarea dispozitivului fără apărătoarea de siguranță.

În timp ce utilizați trimmer-ul, nu uitați să mențineți o postură adecvată a corpului în timpul lucrului.

COSITUL ÎN JURUL ARBUȘTILOR ȘI COPACILOR

Atunci când tăiați iarba și buruienile din jurul arbuștilor și copacilor, trebuie să aveți grijă deosebită și să evitați contactul lor cu firul sau lama care se rotesc. Deteriorarea scoarței poate duce la moartea copacului sau a unui arbust.

Eliberarea firului:

Dacă firul este prea scurt, trageți-l afară. Dispozitivul este echipat cu un cap cu o eliberare automată. Pentru a scoate firul automat - apăsați ușor bobina pe sol.

În timpul acestei operațiuni, trebuie să rețineți că apăsarea bobinei pe sol prea tare sau prea brusc poate provoca deteriorarea acesteia, astfel încât este recomandat să efectuați operațiunea manual pentru a preveni deteriorarea bobinei.

Curățare, întreținere:

1. După fiecare utilizare a dispozitivului, curățați întregul dispozitiv de resturi de plante, iar apărătoarea inferioară de masa colectată compactă.

2. Duzele de ventilație și carcasa motorului trebuie să fie întotdeauna lipsite de praf și murdărie, pe cât posibil. Ștergeți dispozitivul cu o lavetă curată, pensulă sau suflați cu aer comprimat.
3. Se recomandă curățarea imediat după fiecare utilizare.
4. Nu utilizați agenți de curățare sau solvenți pentru a curăța dispozitivul; aceștia pot deteriora componentele dispozitivului executate din material sintetic. Aveți grijă să nu lăsați apa să pătrundă în interiorul dispozitivului.
5. Verificați sistematic starea firului de tăiere, precum și strângerea șuruburilor. La dispozitivele noi, prima verificare a strângerii șuruburilor trebuie efectuată după aproximativ 2 ore de funcționare a trimmer-ului. Dacă este necesar, strângeți șuruburile slăbite.
6. Aveți grijă de starea corectă a tuturor componentelor unelei electrice, și nu supraîncărcați dispozitivul sau să efectuați lucrări pentru care mașina nu a fost destinată.

Coasă electrică

Tip motor: electric, cu perii

Putere motor: 1400 W

Turație: 7500 rpm

Diametru de tăiere fir: 420 mm

Tipul capului: semiautomat /fir dublu

Diametrul recomandat al firului: de la 1,6 mm la 2,0 mm

Zgomot și vibrații.

Zgomotul și vibrațiile au fost măsurate în conformitate cu standardul 2000/14/EC, 2005/88/EC .

Emisie de zgomot: Nivel de presiune acustică (LpA): 75,51 dB (A)

Deviație KpA: 3,00 dB (A)

Nivel de putere acustică măsurat LwA: 95,51 dB (A)

Deviație KwA: 0,93 dB (A)

Nivel de putere acustică garantat: LwA: 96,00 dB (A)

Valoarea totală a vibrațiilor și incertitudinea de măsurare (K):

Valoarea vibrațiilor care acționează asupra membrilor superiori: $7,95 \text{ m/s}^2$, $k=1,5 \text{ m/s}^2$

Valoarea totală declarată a vibrațiilor a fost măsurată în conformitate cu metoda standard de testare și poate fi aplicată pentru a compara dispozitive. Valoarea dată a emisiilor de vibrații poate fi utilizată pentru estimarea preliminară a impactului negativ.

După fiecare 15 minute de funcționare – pauză de 15 minute.

SVARBI INFORMACIJA

Siekdami pasiekti didžiausią pasitenkinimą, mėgautis gaminio efektyvumu ir sužinoti visas jo savybes ir funkcijas, prieš naudodami šį gaminį perskaitykite šią instrukciją.

Prieš naudodami įrenginį, perskaitykite naudojimo instrukciją ir laikykitės joje pateiktų nurodymų. Gamintojas neatsako už žalą, atsiradusią dėl prietaiso naudojimo ne pagal paskirtį arba netinkamo jo naudojimo.

Naudojimo instrukciją reikia saugoti, kad ja būtų galima naudotis ir vėliau naudojant gaminį.

- Prietaisas namų vartojimui. Nenaudoti ne pagal paskirtį.
- Prietaisą reikia prijungti tik prie lizdo pagal charakteristika specifikacijos lentelėje.
- Įsitinkite, kad bendras energijos suvartojimas visų prietaisų prijungtų prie sieninio lizdo neviršija maksimalios saugiklio apkrovos.
- Jei naudojate ilgintuvą įsitinkite, ar bendras prijungtų prie lygintuvo įrenginių galios suvartojimas neviršija ilgintuvo parametrų. Ilgintuvo kabelis turi būti padėtas taip, kad išvengtų atsitiktinių patraukimų ir užkliuvimų.
- Neleiskite, kad prietaiso maitinimo kabelis kabotų ant stalo ar lentynos briaunos arba kad liestų karštą paviršių.
- Prietaisas nėra skirtas valdyti su išoriniu laikmačiu, atskiru valdymo pultu ar kitu įrenginiu, kuris gali automatiškai įjungti prietaisą.
- Prieš priežiūros darbus reikia visada atjungti prietaisą nuo elektros šaltinio.
- Atjungiant maitinimo kabelį reikia visada ištraukti jį iš lizdo laikant už kištuko. Niekada negalima atjungti maitinimo kabelio traukiant už kabelio, nes taip galima sugadinti kištuką arba kabelį, kraštutiniais atvejais gali netgi sukelti mirtiną elektros šoką.
- Negalima palikti įjungto į lizdą prietaiso be priežiūros.
- Nemerkite prietaiso vandenyje ar kitame skystyje.

- Prietaisas turi būti reguliariai valomas pagal rekomendacijas aprašytas dalyje: Prietaiso valymas ir priežiūra.
- Nedėkite prietaiso arti šilumos šaltinių, liepsnos, elektrinio šildomojo elemento ar ant karštos orkaitės. Nedėkite ant jokio kito prietaiso.
- Įrenginys negali būti naudojamas vaikų. Įrenginį ir laidą laikyti atokiau nuo vaikų. Įrenginiu gali naudotis fiziškai ir protiškai riboti asmenys bei asmenys neturintys patirties ir nežinantys įrenginio, jei bus užtikrinta priežiūra ir mokymai apie saugų įrenginio naudojimą, taip kad susijusi su prekės naudojimu rizika būtų suprantama.
- Būkite itin atsargūs naudojant prietaisą, kai netoliese yra vaikai ar namų gyvūnai. Neleiskite vaikams žaistu su prietaisu.
- Nenaudoti prietaiso netoli degių medžiagų.
- Saugokite prietaisą nuo oro sąlygų veikimo (lietaus, saulės ir pan.) bei nenaudokite padidintos drėgmės sąlygose (vonios kambarys, drėgni vasarnamiai).
- Periodiškai tikrinkite maitinimo kabelio būklę. Jei neatjungiamas maitinimo kabelis bus sužalotas, tai turi būti jis iškaičiamas pas gamintoją ar specializuotame servise arba kvalifikuoto asmens dėl pavojaus išvengimo. Nenaudokite prietaiso su sugadintu maitinimo kabeliu, kištuku ar jei buvo jis numestas ar sužalotas koku nors kitu būdu arba veikia netinkamai. Netaisykite prietaiso savarankiškai, nes tai gali sukelti elektros šoką. Sugadintą prietaisą atiduokite į atitinkamą servisą dėl patikrinimo arba taisymo. Visi taisymai gali būti atliekami tik autorizuotuose servisuose. Neatitinkamai atliktas taisymas gali sukelti vartotojui rimtą pavojų.
- Naudokite originalius arba gamintojo rekomenduojamus prietaiso priedus. Gamintojo nerekomenduojamų priedų naudojimas gali sukelti žalas bei pavojų.
- Laikykite savo darbo vietą tvarkingą ir gerai apšviestą.

- Netvarkingumas ir nepakankamas apšvietimas sukelia nelaimingų atsitikimų.
- Nenaudokite elektrinių įrankių potencialiai sprogoje aplinkoje, t. y. ten, kur yra degių skysčių, dujų ar dulkių.
- Akimirka neatidumo gali sukelti įrankio valdymo praradimą.
- Jei galima prijungti elektrinius įrankius prie dulkių nusiurbimo arba surinkimo įrankių, patikrinkite, ar jie pritvirtinti ir tinkamai veikia. Naudojant tokius elektrinius įrankius sumažina pavojaus dėl dulkių riziką.
- Nesilenkite per toli naudodami elektriniu įrankiu. Išlaikykite stabilią laikyseną ir pusiausvyrą. Dėl to galėsite geriau valdyti elektrinį įrankį ištikus nenumatytiems atvejams.
- Stenkitės netyčia neįjungti elektrinio įrankio. Prieš prijungdami elektrinį įrankį prie elektros tinklo, įsitikinkite, kad maitinimo išjungiklis yra išjungtoje padėtyje (OFF). Elektrinį įrankį nešant pirštu ant gaiduko arba prijungiant elektrinį įrankį prie tinklo įjungus elektrinį įrankį, gali sukelti nelaimingus atsitikimus.
- Dėvėkite tinkamus drabužius. Nedirbkite dėvėdami laisvus drabužius ir nenešiokite papuošalų dirbdami. Plaukus, drabužius ir pirštines laikykite toliau nuo judančių dalių. Judančios elektrinio įrankio dalys gali sugriebti ir įtraukti laisvus drabužius, papuošalus ar ilgus plaukus.
- Prieš paleisdami elektrinį įrankį, išimkite iš jo visus veržliarakčius arba įrankius. Prie besisukančios elektrinio įrankio dalies vis dar prijungtas įrankis arba veržliaraktis gali sukelti sužalojimą.
- Dirbdami su elektriniais įrankiais būkite atsargūs, susikaupkite atlikdami darbą ir vadovaukitės sveika nuovoka. Nenaudokite elektrinio įrankio, kai esate pavargę arba apsvaigę nuo narkotikų, alkoholio ar vaistų. Net akimirka neatidumo naudojant elektrinius įrankius gali sukelti rimtą nelaimingą atsitikimą.
- Saugokite vaikus nuo darbo zonos ir **NELEISKITE** vaikams

- traukti maitinimo laido – tai gali sukelti rimtą sužalojimą.
- Prieš atlikdami bet kokius reguliavimus, keisdami priedus arba laikydami elektrinius įrankius, pasukite maitinimo jungiklį į išjungimo padėtį, kad atjungtumėte elektrinį įrankį nuo maitinimo šaltinio. Tokios prevencinės priemonės sumažina elektrinio įrankio netyčinio įjungimo riziką.
 - Įsitikinkite, kad ventiliacijos angose nėra nuosėdų.
 - Prietaisą galima naudoti tik sausoje, gerai apšviestoje aplinkoje.
 - Šio įrankio neturėtų naudoti jaunesni nei 16 metų asmenys.

Elektros saugumas

Įrenginys turi būti prijungtas tik prie lizdo atitinkančio gamyklinės lentelės verčių charakteristiką.

Elektrinių įrankių kištukai turi atitikti elektros lizdus. Niekada joku būdu nekeiskite maitinimo laido kištuko. Nemodifikuoti kištukai ir tinkami elektros lizdai sumažina elektros smūgio riziką.

Stenkitės neliesti įžemintų arba su mase sujungtų paviršių, tokių kaip vamzdžiai, šildytuvai, radiatoriai ir šaldytuvas Palietus įžemintas arba su mase sujungtas dalis, padidėja elektros smūgio pavojus.

Saugokite elektra varomą įrangą nuo lietaus ar drėgmės. Jei į elektrinį įrankį patenka vandens, padidėja elektros smūgio pavojus.

Neįtempkite jungiamųjų kabelių. Niekada nenaudokite jungiamojo kabelio elektros įrangai nešioti, traukti ar kištukui iš lizdo ištraukti. Laikykite jungiamąjį kabelį atokiau nuo šilumos šaltinių, alyvų, aštrių kraštų ar judančių dalių. Sugadinti ar susipainioję kabeliai padidina elektros smūgio riziką.

Prieš pradėdami darbą patikrinkite maitinimo laidą.

Nenaudokite, jei maitinimo laidas ar ilgintuvas yra nutrinti, įpjauti ar kitaip pažeisti. Jei naudojant maitinimo laidą pažeistas, išjunkite įrenginį ir ištraukite kištuką iš maitinimo

lizdo.

Jei elektrinis įrankis naudojamas lauke, jungiamuosius kabelius reikia pailginti naudoti lauko sąlygomis skirtais vandeniu atspariais ilgintuvais. Tokio ilgintuvo naudojimas sumažina elektros smūgio riziką. Ilgintuvo skerspjūvis turėtų būti bent 1,5 mm², kai kabelio ilgis mažesnis nei 20 m, o jei kabelio ilgis yra nuo 20 iki 50 m, mažiausias skerspjūvis yra 2,5 mm².

Liekamosios srovės apsauga (RCD) turi būti naudojama kaip apsauga nuo smūgio, kurį sukelia maitinimo įtampa. RCD jungiklio panaudojimas mažina elektros srovės smūgio riziką. Įranga turi būti maitinama per liekamosios srovės grandinės pertraukiklį, kurio vardinė srovė yra ne didesnė kaip 30 mA.

Bendroji informacija

Prietaisas skirtas tik darbui namų sode pagal šios naudojimo instrukcijos aprašymą ir saugos taisykles.

Išjungus žoliapjovę, valas/geležties kurį laiką sukasi. Palaukite, kol visiškai sustos variklis ir valas/geležtę prieš iš naujo užvesdami mašiną.

Neįjunkite ir neišjunkite žoliapjovės trumpais intervalais.

Žoliapjovės operatorius turi dėvėti tinkamą avalynę su neslystančiais padais ir ilgas kelnes, kad apsaugotų kojas.

Nedirbkite basomis, su šlepetėmis ar sandalais.







Visada naudokite žoliapjovę abiem rankomis.

Naudokite įrenginį tik dieną arba gerame dirbtiniame apšvietime.

SIMBOLIAI

- Naudojimo instrukcijoje arba įrankio vardinėje lentelėje gali būti pateikti šie simboliai.
- Šiuose simboliai pateikiama svarbi informacija apie gaminį ir nurodymai, kaip jį naudoti.

	Perskaitykite naudojimo instrukciją.		Naudokite ausų apsaugą
	Bendro pobūdžio įspėjimai		Mūvėkite apsaugines pirštines

	Gaisro pavojus		Dėvėkite apsauginę aprangą
	Elektros smūgio pavojus		Dėvėkite apsauginę kaukę
	Dėvėkite apsauginius akinius		Taikykite kvėpavimo takų apsaugą



Jei prietaise yra perbrauktos šiukšliadėžės ženklas, reiškia tai, kad produktas apimtas 2012/19/EU direktyva. Reikia susipažinti su vietiniais reikalavimais dėl elektros ir elektronikos atliekų surinkimo. Reikia veikti pagal vietines taisykles. Nemeskite šio produkto kartu su kitomis namų apyvokos šiukšlėmis. Teisingas senų produktų šalinimas leidžia išvengti galimų neigiamų pasekmių aplinkai ir žmonių sveikatai.



Produktas pagamintas iš aukštos kokybės medžiagų ir komponentų, kuriuos galima perdirbti ir vėl panaudoti.

NAUDOTI ASMENINES APSAUGOS PRIEMONES

- Dėvėkite apsauginius akinius pagal En166
- Dėvėkite apsaugines kaukes pagal En149
- Naudokite kitas tiksliai asmenines apsaugos priemones pritaikytas prie atliekamo darbo tipo.

Paskirtis:

Sodo įrankis skirtas naudoti namuose, žolei ir piktžolėms pjauti, dažniausiai tose vietose, į kurias veėjaprovė negali patekti. Sodo įrankis nėra skirtas komerciniam ar pramoniniam naudojimui.

Prieš paleisdami įrenginį:

Patikrinkite techninę mašinos būklę ir įsitinkinkite, kad nė vienas komponentas nėra pažeistas ir kad ritė su valu ar geležtė yra tinkamai sumontuota ir pritvirtinta.

Prieš naudodami žoliapjovę patikrinkite, ar nėra nusidėvėjimo ar pažeidimo požymių, ir, jei reikia, perduokite ją įgaliotam techninės priežiūros centrui.

Patikrinkite, ar pašaliniai asmenys ir gyvūnai yra saugiu atstumu nuo žoliapjovės darbo vietos (bent 15 metrų).

Žoliapjovę reikia atjungti nuo maitinimo šaltinio, jei yra pertrauka darbe, prieš perkeliant ją į kitą darbo vietą ir prieš atliekant bet kokius darbus su elektriniu įrankiu (pvz., nustatant ar valant).

Įrenginio aprašas:

- | | |
|--|--|
| 1. Variklis | 9. Pjovimo įtaiso apsauga/ saugumo gaubtas |
| 2. Jungiklio gaidukas | 10. Valo pjoviklis |
| 3. Jungiklio blokada | 11. Pavara |
| 4. Rankena | 12. Apsauginis varžtas |
| 5. Rankenos (vairo) dangtis | 13. Peties diržas |
| 6. Pjovimo įtaiso montavimo vamzdis | 14. Peties diržo tvirtinimo vieta |
| 7. Pavaros veleno apsaugos ilgintuvas | 15. Maitinimo laidas |
| 8. Pjovimo įtaisas (pjovimo diskas, galvutė su valu) | 16. Rankena |

Pjovimo įtaiso saugumo gaubto montavimas (saugumo gaubto montavimas):

Atsukite diržą, kuriuo pritvirtintas saugumo gaubtas. Uždėkite gaubtą, pritvirtinkite tvirtinimo juostą, kurią tada reikia priveržti varžtais.

Pavaros veleno sujungimas:

Sujunkite dvi vamzdžio, kuriame yra pavaros velenas, dalis, kol užsifiksuos fiksavimo kaištis 1.

Priveržkite tvirtinimo veržlę.



Ritės keitimas:

1. Įsitikinkite, kad jungiklis išjungtoje padėtyje, ištraukite kištuką iš kontakto.
2. Paspauskite ritės dangčio šoninius skląščius, nuimkite vidinį dangtį nuo ritės, tada išimkite ją iš vidaus ir pakeiskite nauja.
3. Įstumkite ritę atgal į ritės laikiklį ir įsitikinkite, kad ji tvirtai įstatyta.

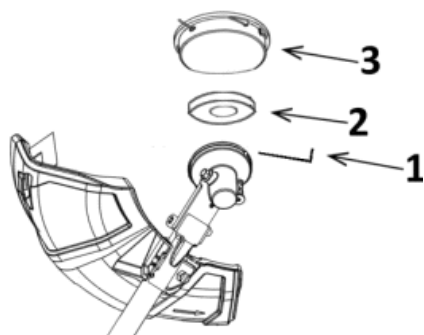
Valo ritės montavimas



Atsukite veržlę pagal laikrodžio rodyklę.

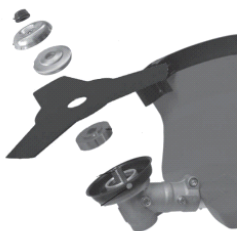
Nuimkite poveržlę iš presuotos skardos, nuimkite distancinį tarpiklį.

Užfiksukite pjovimo priedo pavaros ašį šešiakampiu veržliarakčiu. Prisukti ritę pjovimo valu, pasukant ją prieš laikrodžio rodyklę, nepamirštant užfiksuoti užšėšibriauniu pavaros veleno raktu 1.



Geležtės montavimas:





Atsukite veržlę pagal laikrodžio rodyklę. Nuimkite poveržlę iš presuotos skardos, nuimkite distancinį tarpiklį. Sumontuokite trijų svirčių peilį ant varomojo veleno ašies. Uždėkite distancinį tarpiklį, tada uždėkite poveržlę nuo skardos. Užfiksukite pjovimo priedo pavaros ašį šešiakampių veržliarakčiu. Prisukite veržlę 5 pateiktu veržliarakčiu prieš laikrodžio rodyklę. Schema: 1 šešiakampis raktas, 2 poveržlė, 3 trigubas peilis, 4 distancinis tarpiklis, 5 poveržlės iš presuotos skardos, 6 veržlė.

Laikantysis diržas:

Prieš dirbdami tinkamai sureguliuokite laikantįjį diržą arba diržų komplektą (diržų komplektą). Diržas turi būti nustatytas taip, kad diržas būtų ant kairiojo peties, diržo kabelys būtų pritvirtintas prie krumpliaračio ilgintuvo dešiniojo klubo aukštyje. Diržų komplektas uždedamas ant kairiosios rankos, o klubų apsauga bus dešinėje operatoriaus pusėje, kur yra dalgio pakabinimo vieta. Šis dangtis apsaugo naudotoją nuo darbinės dalgio vibracijos, taip pat apsaugo nuo kontakto su dalgiu.

ŽOLĖS pjovimas:

Nepjaukite šlapios žolės. Geriausi pjovimo rezultatai pasiekiami, kai žolė yra sausa. Prailginimo laidas turi būti nutiestas per rėmą į galą, užtikrinant, kad pjaunant jis visada būtų už naudotojo. Laikykite įrenginį pasvirusį 20 laipsnių kampu pjaunamos žolės atžvilgiu, judindami jį švytuokle į kairę ir į dešinę. Atkreipkite dėmesį, kad įrenginys būtų atokiau vienas nuo kito - žr. paveikslėlį.



Efektyviai nupjauti žolę įrenginiu galima tik tuo atveju, jei žolė yra ne aukštesnė kaip 15 cm. Laikykite žoliapjovę atokiau nuo kietų daiktų. Kai vena ar geležtė susiliečia su kietu daiktu, ji gali sulūžti, pažeisti valą ar geležtę. Akmenys gali būti išmesti ir smogti į aplinkinius objektus dideliu greičiu, prisidedant prie žalos. Draudžiama naudoti įrenginį be gaubto. Naudodami žoliapjovę nepamirškite darbo metu išlaikyti tinkamą kūno laikyseną.

PJOVIMAS APLINK KRŪMUS IR MEDŽIUS

Pjaunant žolę ir piktžoles aplink krūmus ir medžius, reikia būti ypač atsargiems, kad jos nesiliestų su

besisukančių valų ar geležte. Pažeista žievė gali sukelti medžio ar krūmo nudžiūvimą.

Valo išstūmimas:

Jei valas per trumpas, jį ištraukite. Įrenginyje yra galvutė su automatinio pailginimu. Norėdami išstumti valą automatiškai - lengvai paspauskite ritę ant žemės.

Atliekant šią operaciją reikia nepamiršti, kad per stipriai stumiant ritę į žemę, ritė gali būti sugadinta, todėl rekomenduojama operaciją atlikti rankiniu būdu, kad ritė nebūtų pažeista.

Valymas ir priežiūra:

1. Kiekvieną kartą panaudoję įrenginį, nuvalykite visą įrenginį nuo augalų likučių ir apatinį dangtį nuo surinktos, sutankintos masės.
2. Vėdinimo angose ir variklio korpuse negali nebūti dulkių ir nešvarumų. Švaria šluoste, šepečiu arba suslėgtu oru nupūskite įrenginį.
3. Rekomenduojama valyti iš karto po kiekvieno naudojimo.
4. Nenaudokite jokių valymo priemonių ar tirpiklių įrenginiui valyti; jie gali pažeisti iš plastiko pagamintas įrenginio dalis. Saugokitės, kad į įrenginį nepatektų vandens.
5. Reguliariai tikrinkite pjovimo valo būklę ir varžtų prisukimą. Naudojant naujus įrenginius, pirmą varžtų priveržimo patikrą reikia atlikti po maždaug 2 valandų nuo žoliapjovės naudojimo. Prireikus priveržkite atsilaisvinusius varžtus.
6. Pasirūpinkite tinkama visų elektrinio įrankio komponentų būkle, taip pat neperkraukite įrenginio ir neatlikite darbų, kuriems įrenginys nėra skirtas.

Elektrinis dalgis

Variklio tipas: elektrinis, šepetinis

Variklio galia: 1400 W

Apsisukimų greitis: 7500 rpm

Pjovimo valo skersmuo: 420 mm

Tipas ir galvutės tipas: pusiau automatinis / dvigubas valas

Rekomenduojamas valo skersmuo: nuo 1,6 mm iki 2,0 mm

Triukšmas ir vibracijos.

Triukšmas ir vibracija buvo išmatuoti pagal 2000/14/EC, 2005/88/EC .

Skleidžiamas triukšmas. Garso slėgio lygis (LpA): 75,51 dB (A)

KpA nuokrypis: 3,00 dB (A)

Išmatuotas akustinė galios lygis LwA: 95,51 dB (A)

KwA nuokrypis: 0,93 dB (A)

Garantuotas akustinė galios lygis: LwA: 96,00 dB (A)

Bendra vibracijos vertė ir matavimo neapibrėžtis (K):

Viršutinę galūnę veikiančios vibracijos vertė: $7,95 \text{ m/s}^2$, $k=1,5 \text{ m/s}^2$

Deklaruota bendra vibracijos vertė buvo išmatuota pagal standartinį bandymo metodą ir gali būti naudojama palyginant vieną įrenginį su kitu.

Pateikta vibracijos emisijos vertė gali būti naudojama preliminariam neigiamo poveikio įvertinimui.

Po 15 min. darbo – 15 min. pertrauka.

OLULINE TEAVE

Suurima rahulolu saavutamiseks, toote jõudluse nautimiseks ning kõigi selle omaduste ja funktsioonide tundmaõppimiseks lugege enne toote kasutamist käesolev juhend läbi.

Enne seadme kasutamist lugege läbi kasutusjuhend ja toimige selles sisalduvate suuniste kohaselt. Tootja ei vastuta kahjude eest, mis on põhjustatud seadme kasutamisest vastuolus selle otstrabega või väärast käsitlemisest.

Hoidke kasutusjuhend alles, et seda saaks kasutada ka toote hilisema kasutamise käigus.

- Seade on ette nähtud üksnes kodumajapidamises kasutamiseks. Mitte kasutada muul eesmärgil, mis ei vasta seadme otstarbele.
- Seade tuleb ühendada üksnes maandatud toitepesasse, mille andmed vastavad seadme andmesildile märgitud väärtustele.
- Kontrollige, kas kõikide seinakontakti ühendatud seadmete poolt kasutatud voolutarve ei ületa kaitsme maksimaalset koormust.
- Kui kasutate pikendusjuhet, tuleb kontrollida, kas pikendusjuhtmega ühendatud seadme koguvool ei ületa pikendusjuhtme koormuse parameetreid. Pikendusjuhtme kaabel tuleb juhtida nii, et vältida selle juhuslikku tõmbamist ja selle taha komistamist.
- Vältige seadme toitejuhtme rippumist üle laua või riiulite servade ja selle kokkupuudet kuumade pindadega.
- Seade ei ole ette nähtud juhtimiseks välise viitlüliti, eraldi kaugjuhtimispuldi või muu seadme abil, mis võib seadme automaatselt välja lülitada.
- Enne hooldustööde alustamist tuleb alati seade toitevõrgust välja võtta.
- Toitekaabli eemaldamisel seinakontaktist tuleb seda alati tõmmata pistikust. Ärge võtke toitejuhet kunagi pesast kaablist tõmmates, kuna pistik või juhe võib saada

kahjustada, äärmisel juhul võib see põhjustada isegi surmaga lõppevat elektrilööki.

- Ärge jätke toitepesasse sisselülitatud seadet järelevalveta.
- Ärge pange seadet vette ega muude vedelikku.
- Seadet tuleb regulaarselt puhastada vastavalt punktis „Seadme puhastamine ja hooldus” kirjeldatud juhistele.
- Ärge pange seadet soojusallikate, leekide, elektriliste kütteelementide või kuuma ahju lähedale. Ärge pange seda mistahes muu seadme peale.
- Piiratud füüsiliste, sensoorsete või psüühiliste võimetega aga ka seadmega töötamise kogemusi või teadmisi mitte omavad inimesed võivad seadet kasutada järelvalve all või tingimusel, et neid on selle seadme turvalise kasutamise teemal instrueeritud ja potentsiaalsetest ohtudest teavitatud.
- Olge eriti ettevaatlikud seadme kasutamisel, kui selle läheduses viibivad lapsed või koduloomad. Ärge laske lapsi seadmega mängida.
- Ärge kasutage seadet kergestiüttivate materjalide läheduses.
- Ärge jätke seadet ilmastikutingimuste mõju kätte (vihm, päike, etc.) ning ärge kasutage seda kõrgema niiskustasemega tingimustes (vannitoad, niisked suveelamud).
- Kontrollige toitejuhtme seisundit regulaarselt. Juhul, kui seadmega integreeritud toitejuhe on vigastada saanud, tuleb see välja vahetada tootja poolt või spetsiaalses remonditöökojas või kvalifitseeritud isiku poolt ohu vältimise eesmärgil.
- Ärge kasutage vigastatud toitejuhtmega, pistikuga seadet või seadet, mis on maha kukkunud või mistahes muul viisil vigastada saanud ega tööta korrektselt. Ärge parandage seadet omavoliliselt, kuna see võib põhjustada elektrilöögi ohtu. Kahjustatud seade tuleb viia vastavasse teeninduspunkti selle kontrollimise või remondi otstarbel.

Mistahes parandustöid on lubatud teostada üksnes volitatud teeninduspunktides. Ebakorrektselt tehtud parandus võib kujutada endast kasutajale tõsist ohtu.

- Kasutage ainult seadme originaaltarvikuid või tootja poolt soovitatud tarvikuid. Tarvikute kasutamine, mida tootja ei soovita, võib põhjustada seadme kahjustumist ja ohustada kasutamisohtust.
- Hooolitsege töökoha korrasoleku ja korraliku valgustuse eest.
- Korratus ja ebapiisav valgustus põhjustavad õnnetusi.
- Ärge kasutage elektritööriistu plahvatusohtlikus keskkonnas, st tuleohtlike vedelike, gaaside või tolmu läheduses.
- Hetkeline tähelepanematus võib põhjustada kontrolli kaotamise tööriista üle.
- Kui on olemas elektritööriistade tolmuärastus- või -kogumisseadmete külge paigaldamise võimalus, kontrollige, kas need on korralikult kinnitatud ja töötavad nõuetekohaselt. Selliste elektritööriistade kasutamine vähendab tolmu tekitatavat ohtu.
- Ärge küünitage elektritööriistaga liiga kaugele. Hoidke stabiilset rühti ja tasakaalu. Tänu sellele on teil elektritööriista üle ettenägematutes olukordades parem kontroll.
- Vältige elektritööriista juhuslikku käivitumist. Enne elektritööriista vooluvõrku ühendamist veenduge, et toitelüliti oleks väljalülitatud asendis (OFF). Elektritööriista kandmine sõrmega päästikul või sisselülitatud elektritööriista vooluvõrku ühendamine võib põhjustada õnnetusi.
- Kandke sobivat riietust. Ärge töötage lohvakates riietes ega kandke töötamise ajal ehteid. Hoidke oma juuksed, riided ja kindad liikuvatest osadest eemal. Elektritööriista liikuvad osad võivad endaga kaasa haarata ja sisse tõmmata riiete ja ehte lahtised osad või pikad juuksed.

- Enne elektritööriista käivitamist eemaldage sellelt kõik võtmed või tööriistad. Elektritööriista pöörleva osaga ühendatud tööriist või võti võib põhjustada kehavigastusi.
- Elektritööriistadega töötades olge ettevaatlik, keskenduge tööle ja kasutage tervet mõistust. Ärge kasutage elektritööriista, kui olete väsinud või uimastite, alkoholi või ravimite mõju all. Isegi hetkeline tähelepanematus elektritööriistaga töötamise ajal võib põhjustada tõsise õnnetuse.
- Hoidke lapsed töökohast eemal ja ÄRGE laske lastel toitejuhtmest tõmmata – see võib põhjustada tõsiseid vigastusi.
- Enne mis tahes reguleerimist, tarvikute vahetamist või elektritööriistade hoiulepanekut seadke lüliti väljalülitatud asendisse, et elektritööriist vooluvõrgust lahti ühendada. Sellised ennetusmeetmed vähendavad elektritööriista juhusliku käivitumise ohtu.
- Veenduge, et ventilatsiooniavades ei oleks prahti.
- Seadet tohib kasutada ainult kuivas, hästi valgustatud keskkonnas.
- Seda tööriista ei tohi kasutada alla 16-aastased isikud.

Elektriline ohutus

Seade tuleb ühendada ainult andmeplaadil olevate näitajate väärtustega kooskõlas oleva pesaga.

Elektritööriistade pistikud peavad voolupesadega sobima. Iialgi ei tohi toitejuhtme pistikut mingil viisil modifitseerida.

Modifitseerimata pistikud ja asjakohased voolukupesad vähendavad elektrilöögi ohtu.

Vältida maandatud või massiga ühendatud pindade, nagu torude, kütteseadmete, radiaatorite ja külmikute puudutamist.

Maandatud või massiga ühendatud osade puudutamisel elektrilöögi oht kasvab.

Elektritoitel seadmeid vihma või niiskuse toimele mitte allutada.

Elektrilise tööriista sisse vee sattumise korral elektrilöögi oht kasvab.

Ühenduskaableid mitte pingutada. Iialgi ei tohi ühenduskaablit kasutada elektritoitel seadmete kandmiseks või tõmbamiseks või pistiku voolupesast väljatõmbamiseks. Hoida ühenduskaabel eemal soojusallikatest, õlidest, teravatest servadest või liikuvatest osadest. Kahjustatud või sassis ühenduskaablid suurendavad elektrilöögi ohtu. Kontrollida toitekaablit enne töö alustamist. Kulunud, lõigatud või muul viisil kahjustatud toitekaabli või pikendusjuhtmega seadet mitte kasutada. Kui toitekaabel saab kasutamise ajal kahjustada, lülitada seade välja ja tõmmata pistik voolupesast välja.

Elektrilise tööriista välitingimustes kasutamise korral pikendada ühenduskaableid välitingimustes kasutamiseks mõeldud veekindlate pikendusjuhtmetega. Sellise pikendusjuhtme kasutamine vähendab elektrilöögi ohtu. Pikendusjuhtme soone ristlõige peab olema vähemalt $1,5 \text{ mm}^2$, kui kaabel on lühem kui 20 m, aga kui kaabli pikkus on vahemikus 20 kuni 50 m, on minimaalne ristlõige $2,5 \text{ mm}^2$.

Elektrilöögi eest kaitsmiseks tuleb kasutada rikkevoolu kaitseseadmeid (RCD). RCD kaitselüliti kasutamine vähendab elektrilöögi ohtu. Seadmed peavad saama voolu läbi rikkevoolu kaitselüliti, mille nimivool ei ületa 30 mA.

Üldinformatsioon

Seade on vastavalt käesolevas kasutusjuhendis esitatud kirjeldusele ja ohutusjuhistele ette nähtud ainult koduaedades kasutamiseks.

Pärast trimmeri väljalülitamist jätkab tamiil/tera veel mõnda aega pöörlemist. Oodata enne masina taaskäivitamist mootori ja tamiili/tera täieliku seiskumiseni.

Mitte lülitada trimmerit sisse ja välja lühikeste ajavahemike järel. Trimmeri operaator peaks jalgade kaitsmiseks kandma korralikke libisemisvastase tallaga jalanõusid ja pikki pükse. Ei

tohi töötada paljajalu ega plätudes või sandaalides.
Töötades hoida trimmerit alati mõlema käega.
Kasutada seadet ainult päevavalguses või hea kunstliku valgustusega.

SÜMBOLID

- Kasutusjuhendis või tööriista andmeplaadil võivad paikneda järgmised sümbolid.
- Need märgistused sisaldavad toote kohta olulist teavet ja selle kasutamist puudutavaid nõuandeid.

	Lugege läbi kasutusjuhend.		Kasutage kõrvakaitseid
	Üldhoiatus		Kandke kaitsekindaid
	Tulekahjuoht		Kandke kaitseriietust
	Elektrilöögi oht		Kandke kaitsemaski
	Kandke kaitseprille		Kasutage hingamisteede kaitset



Juhul, kui seadmel on läbikriipsutatud prügikasti sümbol, tähendab see, et toode on kooskõlas Euroopa direktiivi 2012/19/EU sätetega. Tutvuge elektri- ja elektroonikaseadmete jäätmete kohaliku kogumissüsteemi nõuetega. Tuleb tegutseda vastavalt kohalikele eeskirjadele. Antud toodet ei tohi kõrvaldada koos olmeprügiga. Kasutatud toote nõuetekohane utiliseerimine aitab vältida selle kahjulikku toimet keskkonnale ja inimestevisele.



Toode on valmistatud kvaliteetsetest materjalidest ja komponentidest, mida on võimalik uuesti ringluse võtta ja taaskasutada.

KASUTADA INDIVIDUAALKAITSEVAHENDEID

- Kandke kaitseprille kooskõlas standardiga En166
- Kandke kaitsemaski kooskõlas standardiga En149
- Kasutage sõltuvalt tööde tüübist muid sihtotstarbelisi individuaalkaitsevahendeid.

Kasutusotstarve:

Aiatööriist on mõeldud koduseks kasutuseks, tavaliselt kohtades, kuhu muruniiduk ligi ei pääse, muru ja umbrohu niitmiseks. Aiatööriist ei ole ette nähtud kaubanduslikuks või tööstuslikuks kasutamiseks.

Enne seadme käivitamist:

Kontrollida seadme seisukorda ja veenduda, et ükski osa ei ole kahjustatud ning et tamiiliga pool või -tera on õigesti sisestatud ja kinnitatud.

Enne trimmeri kasutamist kontrollida seda kulumise või kahjustuste märkide seisukohalt ja vajaduse korral tagastada see volitatud teenindusse.

Kontrollida, et kõrvalseisjad ja loomad oleksid trimmeri töötamise kohast ohutus kauguses (vähemalt

15 meetrit).

Elektrilise tööriista tööpauside korral, enne selle teisdamist teise tööpiirkonda ja enne mis tahes selle kallal tehtavaid töid (nt reguleerimine või puhastamine) tuleb trimmer vooluvõrgust lahti ühendada.

Seadme kirjeldus

- | | |
|---|----------------------------------|
| 1. Mootor | 9. Lõikeüksuse kate / kaitsekate |
| 2. Käivituspäästik | 10. Tamiilinuga |
| 3. Lülitilukustus | 11. Ülekanne |
| 4. Käepide | 12. Kinnituspolt |
| 5. Käepideme (juhtraua) kinnituse kate | 13. Õlarihm |
| 6. Lõikeüksuse kinnitustoru | 14. Õlarihma kinnituspunkt |
| 7. Ajamivõlli katte ühendus | 15. Toitejuhe |
| 8. Lõikeüksus (lõikeketas, tamiiliga pea) | 16. Käepide |

Lõikeüksuse katte paigaldamine (kaitsekatte paigaldamine):

Keerake kaitsekatte kinnitusvõru lahti. Asetada kate tagasi, paigaldada kinnitusvõru, mis tuleb seejärel poldidega kinni keerata.

Ajamivõlli ühendamine:

Ühendada toru kaks osa, kus ajamivõll paikneb, kuni lukustustihvt 1 lukustub. Keerata



Pooli väljavahetamine:

1. Kontrollida, et lüliti oleks väljalülitatud asendis ja eemaldada pistik kontaktist.
2. Vajutada pooli katte külgmised lukustused sisse, eemaldada poolilt sisemine kate, seejärel võtta see välja ning asendada uuega.
3. Lükata pool poolihoidikusse tagasi, veendudes, et see on kindlalt paigas.

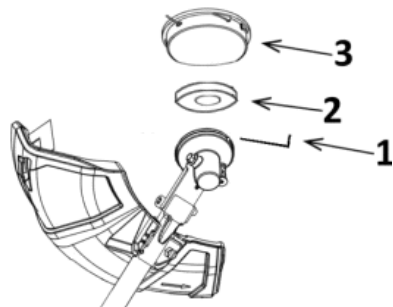
Tamiiliga pooli paigaldamine



Keerata mutter lahti, mutter keeratakse lahti päripäeva.

Eemaldada seib valtsplekilt, eemaldada distantsetas.

Blokeerida lõikeüksuse ajamitelg kuuskantvõtmega. Kinnitada lõiketamiili pool, seda vastupäeva keerates, külge, pidades meeles ajamivõlli 1 kuuskantvõtmega blokeerimist.



Tera paigaldus:


Keerata mutter lahti, mutter keeratakse lahti päripäeva. Eemaldada seib valtsplekilt, eemaldada distantsketas. Paigaldada kolmiktera ajamivõlli teljele. Paigaldada distantsketas, seejärel seib valtsplekilt. Blokeerida löikeüksuse ajamitelg kuuskantvõtmega. Keerata mutter 5 kaasasoleva mutrivõtmega vastupäeva kinni. Skeem: 1 kuuskantvõti, 2 seib, 3 kolmiktera, 4 distantsketas, 5 seib valtsplekilt, 6 mutter.

Kanderihm:

Enne töö alustamist tuleb kanderihma või rakmete (trakside) kinnitus kasutaja külge õigesti reguleerida

Rihm tuleb seada nii, et kui see on vasakul õlal paikneks vöö kinnitus vikati külge parema puusa kõrgusel. Rakmeid kantakse vasakul õlal ja puusakaitse on operaatori paremal küljel, kus asub vikati riputuskoht. See kaitse kaitseb kasutajat töötava vikati vibratsiooni eest ja hoiab ära kokkupuute vikatiga.

MURU niitmine:

Märga muru mitte niita. Parimad niitmistulemused saadakse kuiva muru korral. Pikendusjuhe tuleb viia läbi raami tahapoole, jälgides, et see oleks lõikamise ajal alati kasutaja taga.

Hoida seadet niidetava muru suhtes 20-kraadise nurga all, liigutades seda pendelliikumisega vasakule ja paremale. Pöörata tähelepanu seadme endast eemal hoidmisele - vaata joonist.



Seadmega on võimalik muru tõhusalt niita ainult kuni 15 cm kõrguse muru korral. Trimmerit kõvadele esemetele mitte lähendada. Kui tamiil või tera kõva esemega kokku puutub, võib tamiil või tera puruneda või kahju saada. Kivid võivad üles paiskuda ja ümbritsevaid objekte suure kiirusega tabada, põhjustades sellega kahjustusi. Seadme ilma kaitsekatteta kasutamine on keelatud. Trimmerit kasutades tuleb töö ajal õige kehahoiaku säilitamist meeles pidada.

NIITMINE PÕÖSASTE JA PUUDE ÜMBER

Põõsaste ja puude ümber muru ning umbrohu niitmisel olge äärmiselt ettevaatlik ja ärge laske neid pöörleva tamiili või teraga kokkupuutesse. Koore kahjustus võib põhjustada puu või põõsa kärbumise.

Tamiili väljatõmbamine:

Kui tamiil on liiga lühike, tuleb see välja tõmmata. Seade on varustatud automaatse etteandmisega peaga. Tamiili automaatseks etteandmiseks vajutada pooli kergelt vastu maad. Seda tehes on oluline meeles pidada, et liiga tugevalt või liiga järsult vastu maad vajutades võib pooli kahjustada, seega on selle vältimiseks soovitatav seda käsitsi teha.

Puhastamine, hooldamine:

1. Pärast igat kasutust tuleb kogu seade puhastada taimeprahist ja alumine kate kogunenud, kokkupressitud rohumassist.
2. Ventilatsiooniavad ja mootori korpus tuleb võimalusel alati tolmust ning mustusest puhtana hoida. Pühkida seadet puhta lapiga, harjaga või puhuda läbi suruõhuga.
3. Soovitatav on puhastada vahetult peale igat kasutust.
4. Mitte kasutada seadme puhastamiseks mingeid puhastusvahendeid ega lahusteid; need võivad kahjustada seadme plastosasid. Hoolitseda, et seadme sisemusse ei satuks vett.
5. Regulaarselt kontrollida löiketamiili seisundit ning samuti poltide kinnitust. Uute masinate puhul tuleks poltide kinnitust esimest korda kontrollida pärast trimmeri umbes 2 tundi töötamist. Vajaduse korral keerata lödvenenud poldid kinni.
6. Veenduda, et kõik elektritööriista elemendid on heas korras ja et masin ei ole ülekoormatud ega tee tööd, milleks see ei ole ette nähtud

Elektrivikat

Mootori tüüp: elektriline, harjadega
Mootori võimsus: 1400 W
Pöördekiirus: 7500 rpm
Löikeraadius tamiil: 420 mm
Pea liik ja tüüp: poolautomaatne / topelt tamiil
Soovitatav tamiili läbimõõt: 1,6 mm kuni 2,0 mm

Müra ja vibratsioon.

Müra ja vibratsiooni mõõdeti vastavalt standardile 2000/14/EC, 2005/88/EC.
Müra emissioon: Akustilise rõhu tase LpA: 75,51 dB (A)
KpA kõrvalekalle: 3,00 dB (A)
Mõõdetud helivõimsuse tase LwA: 95,51 dB (A)
KwA kõrvalekalle: 0,93 dB (A)
Helivõimsuse garanteeritud tase: LwA: 96,00 dB (A)

Vibratsiooni koguväärtus ja mõõtemääramatus (K):
Ülemistele jäsometele mõjuva vibratsiooni väärtus: $7,95 \text{ m/s}^2$, $k=1,5 \text{ m/s}^2$
Deklareeritud koguvibratsiooni väärtus on mõõdetud standardse katsemeetodi kohaselt ja seda saab kasutada ühe seadme teisega võrdlemiseks. Antud vibratsiooni emissiooni väärtust võib kasutada negatiivse mõju esialgseks hindamiseks.

Pärast igat 15 minutit tööd - 15 minutit pausi.

SVARĪGA INFORMĀCIJA

Lai izjutu vislielāko gandarījumu, izbaudītu izstrādājuma produkta veiktspēju un apgūtu visas tā īpašības un funkcijas, lūdzu, pirms šī izstrādājuma lietošanas izlasiet šo instrukciju. Pirms ierīces lietošanas izlasiet lietošanas instrukciju un ievērojiet tajā ietvertos norādījumus. Ražotājs nav atbildīgs par jebkādiem bojājumiem, kas radušies, lietojot ierīci pretēji tās paredzētajam lietojumam vai nepareizai lietošanai. Saglabājiet lietošanas pamācību turpmākai izstrādājuma lietošanai.

- Ierīce ir paredzēta tikai lietošanai mājās. Neizmantojiet citiem mērķiem pretēji paredzētajam lietojumam.
- Ierīci drīkst pievienot tikai tādai kontaktligzdai, kuras parametri tika norādīti obligātajā izgatavotāja plāksnītē.
- Pārliedzinieties, vai visu sienas kontaktligzdai pievienoto ierīču kopējais strāvas patēriņš nepārsniedz drošinātāja maksimālo slodzi.
- Ja tiek izmantots pagarinātājs, pārliedzinieties, vai pagarinātājam pievienotā aprīkojuma kopējais jaudas patēriņš nepārsniedz pagarinātāja slodzes parametrus. Novietojiet pagarinātāju tā, lai izvairītos no nejaušas vilkšanas un pakļupšanas.
- Neļaujiet ierīces strāvas vadam karāties zem galda vai plaukta malas vai pieskarties karstai virsmai.
- Ierīce nav paredzēta vadīšanai ar ārēju laika aiztures slēdzi, atsevišķu tālvadības pulti vai citu aprīkojumu, kas varētu automātiski ieslēgt ierīci.
- Pirms jebkādiem apkopes darbiem vienmēr atvienojiet ierīci no strāvas padeves.
- Atvienojot strāvas vadu, vienmēr izvelciet to no kontaktligzdas, turot aiz kontaktdakšas. Nekad nevelciet strāvas vadu aiz vada, jo var tikt bojāts spraudnis vai kabelis, ārkārtējos gadījumos tas var izraisīt pat elektrotraumu. Ierīci nedrīkst atstāt bez uzraudzības, kad tā ir pievienota.

- Neiegremdējiet ierīci ūdenī vai citā šķidrumā.
- Ierīce regulāri jātīra saskaņā ar ieteikumiem, kas aprakstīti sadaļā par ierīces «Tīrīšanu un apkopi».
- Nenovietojiet ierīci siltuma avotu, liesmu, elektriskā sildelementa vai uz karstas cepeškrāsns tuvumā. Nenovietojiet uz citas ierīces.
- Šo ierīci drīkst lietot bērni, kas ir vismaz 8 gadus veci, kā arī personas ar ierobežotām fiziskajām, garīgajām spējām un personas bez pieredzes vai zināšanām par iekārtu, ja tiks nodrošināta uzraudzība vai viņi tiks instruēti par ierīces drošu lietošanu, lai ar to saistīts risks būtu saprotams. Bērni nedrīkst spēlēt ar ierīci. Bērni nedrīkst tīrīt vai veikt ierīces apkopi bez uzraudzības.
- Esiet īpaši uzmanīgs, lietojot ierīci, ja tuvumā atrodas bērni vai mājdzīvnieki. Bērniem nedrīkst ļaut spēlēt ar ierīci.
- Neizmantojiet ierīci viegli uzliesmojošu materiālu tuvumā.
- Nepakļaujiet ierīci laikstākļiem (lietus, saules un citu iedarbībai) un neizmantojiet to augsta mitruma apstākļos (vannas istabā, mitrās pārvietojamās mājās).
- Periodiski pārbaudiet strāvas vada stāvokli. Ja neatdalāmais strāvas vads tika bojāts, tas jānomaina pie ražotāja vai specializētā remondarbnīcā vai kvalificētai personai, lai izvairītos no apdraudējumiem.
- Nelietojiet ierīci ar bojātu strāvas vadu, kontaktdakšu vai ja tā ir nokritusi vai jebkādā veidā bojāta, vai arī tā nedarbojas pareizi. Nelabojiet ierīci pats, jo tas var izraisīt elektriskās strāvas triecienu. Nogādājiet bojāto ierīci atbilstošā servisa punktā pārbaudei vai remontam. Jebkādus remontdarbus drīkst veikt tikai pilnvarotie servisa punkti. Nepareizi veikts remonts var izraisīt nopietnus apdraudējumus lietotājam.
- Izmantojiet tikai oriģinālos ierīces piederumus vai tos, kurus ieteicis ražotājs. Ražotāja neieteiktu piederumu izmantošana var sabojāt ierīci un apdraudēt tās drošu lietošanu.
- Saglabājiet savu darba vietu kārtīgu un labi apgaismotu.

- Nekārtība un nepietiekams apgaismojums izraisa negadījumus.
- Neizmantojiet elektroinstrumentus potenciāli sprādzienbīstamā vidē, t.i., uzliesmojošu šķidrumu, gāzu vai putekļu klātbūtnē.
- Neuzmanības mirklis var izraisīt kontroles zaudēšanu pār instrumentu.
- Ja ir pieejami putekļu novadīšanas vai savākšanas instrumenti, pārbaudiet, vai tie ir piestiprināti un darbojas pareizi. Šādu elektroinstrumentu izmantošana samazina risku, ko rada putekļu veidošanās.
- Neliecieties pārāk tālu ar elektroinstrumentu. Saglabājiet stabilu stāju un līdzsvaru. Pateicoties tam, neparedzētās situācijās varēsiet labāk kontrolēt elektroinstrumentu.
- Izvairieties no nejaušas elektroinstrumenta iedarbināšanas. Pirms elektroinstrumenta pievienošanas elektrotīklam pārliedzinieties, vai strāvas slēdzis ir izslēgtā pozīcijā (OFF). Elektroinstrumenta nēsāšana, turot pirkstu uz sprūda vai elektroinstrumenta pieslēgšana pie tīkla pēc tā ieslēgšanas, var izraisīt negadījumus.
- Valkājiet atbilstošu apģērbu. Nestrādājiet valkājot brīvu apģērbu un nevalkājiet rotaslietas darba laikā. Sargājiet matus, apģērbu un cimdus tāli no kustīgajām daļām. Kustīgas elektroinstrumenta daļas var satvert un ievilkāt brīvas apģērba daļas, rotaslietas vai garus matus.
- Pirms elektroinstrumenta iedarbināšanas noņemiet no tā visas uzgriežņu atslēgas vai instrumentus. Instruments vai uzgriežņu atslēga, kas joprojām ir pievienota elektroinstrumenta rotējošajai daļai, var izraisīt fiziskus bojājumus.
- Strādājot ar elektroinstrumentiem, esiet piesardzīgs, koncentrējieties uz darbu un ļaujieties uz veselo saprātu. Neizmantojiet elektroinstrumentu, ja esat noguris vai narkotiku, alkohola vai medikamentu ietekmē. Neuzmanības

brīdis, strādājot ar elektroinstrumentu, var izraisīt nopietnu negadījumu.

- Turiet bērnus prom no darba zonas un NEĻAUJIET bērniem vilkt aiz strāvas vada – tas var izraisīt nopietnus ievainojumus.
- Pirms jebkādu regulējumu veikšanas, piederumu maiņas vai elektroinstrumentu uzglabāšanas, pagrieziet strāvas slēdzi izslēgtā pozīcijā, lai atvienotu elektroinstrumentu no strāvas avota. Šādas preventīvas darbības samazina elektroinstrumenta nejaušas iedarbināšanas risku.
- Pārliedcinieties, vai ventilācijas atverēs nav duļķu.
- Ierīci drīkst lietot tikai sausā, labi apgaismotā vidē.
- Šo instrumentu nedrīkst lietot personas, kas jaunākas par 16 gadiem.

Elektriskā drošība

Ierīce ir jāpievieno tikai kontaktligzdai ar raksturojumu, kas atbilst uz datu plāksnītes norādītajām vērtībām.

Elektroinstrumentu kontaktdakšām ir jābūt piemērotām elektrotīkla kontaktligzdām. Nekādā gadījumā nedrīkst modificēt barošanas kabeļa kontaktdakšu. Nemodificētās kontaktdakšas un piemērotas elektrotīkla kontaktligzdas samazina elektrošoka risku.

Izvairieties no pieskaršanās iezemētām vai savienotām ar masu virsmām tādām kā caurules, sildītāji un ledusskapji. Pieskāriena iezemētajām vai savienotajām ar masu daļām gadījumā paaugstinās elektrošoka risks.

Nepakļaujiet elektroierīces lietus vai mitruma iedarbībai. Ūdens iekļūšanas elektroinstrumenta iekšā gadījumā paaugstinās elektrošoka risks.

Nenosprīgojiet pieslēgšanas kabeļus. Nekad neizmantojiet pieslēgšanas kabeli elektroierīces pārņemšanai vai vilkšanai vai kontaktdakšas izvilkšanai no kontaktligzdas. Turiet pieslēgšanas kabeli tālu no siltuma avotiem, eļļām, asām malām vai kustīgām

daļām. Bojāti vai sapinušies kabeļi paaugstina elektrošoka risku. Pirms sākat darbu, pārbaudiet barošanas kabeļus. Neuzsāciet darbu, ja barošanas kabelis vai pagarinātājs ir noberzts, sagriezts vai citādi bojāts. Ja barošanas kabelis tiek bojāts ierīces lietošanas laikā, izslēdziet ierīci un atvienojiet kontaktdakšu no kontaktlīdzda.

Ja elektroinstruments tiek lietots ārpus telpām, pagariniet pieslēgšanas kabeļus ar ūdensnecaurlaidīgiem pagarinātājiem, kas paredzēti darbam ārpus telpām. Šāda pagarinātāja lietošana samazina elektrošoka risku. Pagarinātāja dzīslas šķērsgrīzumam ir jābūt vismaz $1,5 \text{ mm}^2$, ja kabeļa garums ir mazāks par 20 m, un, ja kabeļa garums ir no 20 līdz 50 m, minimālais šķērsgrīzums ir $2,5 \text{ mm}^2$.

Kā aizsardzība pret elektrošoku ir jāizmanto RCD automātslēdzis. RCD automātslēdža izmantošana samazina elektrošoka risku. Ierīce ir jābaro caur automātslēdzi ar nominālo strāvu, kas nepārsniedz 30 mA.

Vispārīgā informācija

Šī ierīce ir paredzēta tikai lietošanai piemājas dārzā atbilstoši aprakstam un drošības noteikumiem, kas ietverti šajā lietošanas instrukcijā.

Pēc zāles trimmera izslēgšanas aukla/asmens griežas vēl kādu laiku. Pirms ierīces atkārtotas iedarbināšanas pagaidiet, līdz dzinējs un aukla/asmens pilnībā apstājas.

Neieslēdziet un neizslēdziet zāles trimmeri īsos intervālos.

Zāles trimmera lietotājam ir jāvalkā stingri apavi ar pretslīdes zoli un garas bikses, lai nodrošinātu kāju aizsardzību. Nedrīkst strādāt basām kājām vai iešļūcenēs, sandalēs.

Vienmēr turiet zāles trimmeri ar abām rokām.

Lietojiet ierīci tikai dienas laikā vai labā mākslīgajā apgaismojumā.

SIMBOLI

• Lietošanas pamācībā vai uz datu plāksnītes var būt norādīti šādi simboli.

- Šie apzīmējumi satur svarīgu informāciju par produktu u n norādījumus par tā lietošanu.

	lepazīties ar lietotāja rokasgrāmatu.		Lietot ausu aizsargus
	Vispārīgi brīdinājumi		Lietot aizsargcimdus
	Ugunsgrēka draudi		Lietot aizsargapgērbu
	Elektriskās strāvas trieciena risks		Lietot aizsargmasku
	Lietot aizsargbrilles		Lietot līdzekļus elpceļu aizsardzībai



Ja uz ierīces ir pārsvītrotā atkritumu konteīnera zīme, tas nozīmē, ka uz to attiecas Eiropas direktīvas 2012/19/ES prasības. Iepazīstieties ar prasībām par vietējo elektrisko un elektronisko iekārtu atkritumu savākšanas sistēmu. Rīkojieties atbilstoši vietējo tiesību aktu noteikumiem. Šo izstrādājumu nedrīkst izmest kopā ar parastiem mājsaimniecības atkritumiem. Vecā izstrādājuma pareiza likvidēšana novērš iespējamās negatīvas sekas apkārtējai videi un cilvēku veselībai.



Izstrādājums ir izgatavots no augstas kvalitātes materiāliem un sastāvdaļām, ko var pakļaut otrreizējai pārstrādei un izmantot atkārtoti.

LIETOT INDIVIDUĀLĀS AIZSARDZĪBAS LĪDZEKĻUS

- Lietot aizsargbrilles saskaņā ar standarta EN166 prasībām
- Lietot aizsargmasku saskaņā ar standarta EN149 prasībām
- Lietot citus individuālās aizsardzības līdzekļus, atkarībā no veicamā darba veida.

Paredzētais pielietojums

Dārza instruments ir paredzēts lietošanai mājsaimniecībās, zāles un nezāļu piegriešanai, parasti vietās, kas nav pieejamas zāles plāvējam. Dārza instruments nav paredzēts komerciālai vai rūpnieciskai lietošanai.

Pirms ierīces iedarbināšanas

Pārbaudiet ierīces tehnisko stāvokli un pārliecinieties, ka neviens no elementiem nav bojāts un ka spole ar auklu vai asmens ir pareizi uzstādīts un nostiprināts.

Pirms zāles trimmera lietošanas pārliecinieties, ka tam nav nodiluma pazīmju vai bojājumu, un, ja nepieciešams, nododiet to autorizētajā servisa centrā.

Pārliecinieties, ka apkārtējie cilvēki un dzīvnieki atrodas drošā attālumā no zāles trimmera darba vietas (vismaz 15 metru attālumā).

Atvienojiet zāles trimmeri no barošanas avota darba pārtraukumu gadījumā, pirms tā pārņemšanas citā darba vietā un pirms jebkādiem darbiem ar elektroinstrumentu (piemēram, iestatīšanas vai tīrīšanas).

Ierīces apraksts

- | | |
|---|---|
| 1. Dzinējs | 9. Griezējmezgla pārsegs/drošības pārsegs |
| 2. Slēdža mēlīte | 10. Nazis auklas nogriešanai |
| 3. Slēdža bloķētājs | 11. Pārvals |
| 4. Rokturis | 12. Bloķēšanas skrūve |
| 5. Roktura (stūres) stiprinājuma pārsegs | 13. Plecu sikсна |
| 6. Griezējmezgla stiprinājuma caurule | 14. Plecu siksnas stiprināšanas vieta |
| 7. Piedziņas vārpstas pārsega savienotājs | 15. Barošanas kabelis |
| 8. Griezējmezgls (griezējdisks, galva ar auklu) | 16. Rokturis |

Griezējmezgla pārsega uzstādīšana (drošības pārsega uzstādīšana)

Atskrūvējiet drošības pārsega stiprināšanas skavu. Uzlieciet pārsegu, uzlieciet stiprināšanas skavu un pēc tam pieskrūvējiet to ar skrūvēm.

Piedziņas vārpstas savienošana

Savienojiet divas caurules daļas, kurās atrodas piedziņas vārpsta, līdz bloķēšanas tapas saslēdzas. Pievelciet stiprināšanas uzgriezni.



Spoles nomaiņa

1. Pārlicinieties, ka slēdzis ir pozīcijā "izslēgts", un izņemiet kontaktdakšu no kontaktligzdas.3. Nospiediet spoles pārsega sānu fiksatorus, noņemiet iekšējo pārsegu no spoles, pēc tam izņemiet to no iekšpuses un nomainiet pret jaunu.
4. Iespiediet spoli atpakaļ spoles turētājā, pārlicinoties, ka tā ir droši uzstādīta.

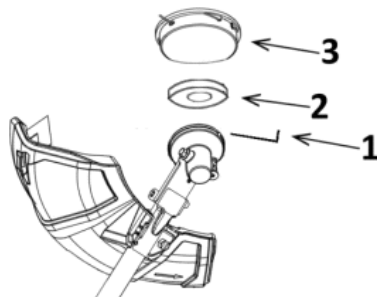
Spoles ar auklu uzstādīšana



Atskrūvējiet uzgriezni, pagriežot to pulksteņrādītāja virzienā.

Noņemiet paplāksni no presētās metāla loksnes, noņemiet starpliku.

Bloķējiet griešanas pierīces piedziņas asi ar seškanšu atslēgu. Pieskrūvējiet spoli ar griezējauklu, pagriežot to pretēji pulksteņrādītāja virzienam, atceroties, lai bloķētu piedziņas vārpstas ar seškanšu atslēgu (1).



Asmens uzstādīšana



Atskrūvējiet uzgriezni, pagriežot to pulksteņrādītāja virzienā. Noņemiet paplāksni no presētās metāla loksnes, noņemiet starpliku. Uzstādiet trīspolecu nazi uz piedziņas vārpstas ass. Uzstādiet starpliku un pēc tam starpliku no presētās metāla loksnes. Bloķējiet griešanas pierīces piedziņas asi ar seškanšu atslēgu. Pieskrūvējiet uzgriezni (5) ar komplektā ietilpstošo atslēgu pretēji pulksteņrādītāja virzienam. Shēma: 1. seškanšu atslēga; 2. paplāksne; 3. trīspolecu nazis; 4. starplika; 5. paplāksne no presētās metāla loksnes; 6. uzgrieznis.

Pārvešanas siksna

Pirms darba pareizi uzstādiet pārvešanas siksnu vai lietotāja iejūga āķi. Uzstādiet siksnu tā, lai, ja siksna ir uzlikta uz kreisā pleca, siksna āķis atrastos labā gurna augstumā. Iejūgs tiek uzvilkt uz kreiso plecu un gūžas locītavas pārsegs atrodas lietotāja labajā pusē, vietā, kur atrodas izkopts pakāršanas punkts. Šis pārsegs aizsargā lietotāju pret vibrācijām, kas rodas izkopts darbības laikā, un pirms saskares ar izkapti.

ZĀLES PĻAUŠANA

Nepļaujiet slapju zāli. Vislabākie pļaušanas rezultāti tiek iegūti, ja zāle ir sausa. Izvelciet pagarinātāju pāri plecam uz aizmuguri, pievēršot uzmanību tam, lai tas vienmēr atrastos aiz lietotāja.

Turiet ierīci nolietu 20 grādu leņķī attiecībā pret pļaujamu zāli, pārvietojot to ar svārstveida kustību pa kreisi un pa labi. Pievēršiet uzmanību tam, lai turētu ierīci tālu no sevis — skatīt attēlu.



Efektīva zāles pļaušana ar ierīci ir iespējama tikai tad, ja zāle nav augstāka par 15 cm. Nepietuviniet zāles trimmeri cietiem priekšmetiem. Ja aukla vai asmens saskaras ar cietu priekšmetu, pastāv auklas vai asmens pārraušanas, bojājuma risks. Akmeņi var tikt izsviesti un triekt pa apkārtējiem priekšmetiem ar lielu ātrumu, izraisot bojājumus. Nedrīkst lietot ierīci bez drošības pārsega. Lietojot zāles trimmeri, uzturiet atbilstošu ķermeņa pozu darba laikā.

ZĀLES PĻAUŠANA AP KRŪMIEM UN KOKIEM

Piegriežot zāli un nezāles ap krūmiem un kokiem, ievērojiet īpašu piesardzību, lai tie nesaskartos ar rotējošo auklu vai asmeni. Mizas bojājumi var izraisīt koka vai krūma bojāeju.

Auklas izbīdīšana

Ja aukla ir pārāk īsa, izbīdiet to. Ierīce ir aprīkota ar galvu ar automātisku izbīdīšanas mehānismu. Lai izbīdītu auklu automātiski, viegli piespiediet spoli pie zemes. Šīs darbības laikā jāatceras, ka pārāk spēcīga vai pārāk strauja spoles piespiešana pie zemes var izraisīt spoles bojājumu, tāpēc ieteicams veikt šo darbību manuāli, lai novērstu spoles bojājumu.

Tīrīšana, tehniskā apkope

1. Pēc katras ierīces lietošanas reizes iztīriet visu ierīci no augu atliekām un apakšējo pārsegu no savāktās, sablīvētās masas.
2. Ventilācijas atverēm un dzinēja korpusam ir vienmēr jābūt brīviem no putekļiem un netīrumiem. Noslaukiet ierīci ar tīru lupatiņu, otu vai izpūtiet to ar saspiesto gaisu.
3. Tīrīšanu ieteicams veikt tieši pēc katras lietošanas reizes.
4. Neizmantojiet ierīces tīrīšanai nekādus tīrīšanas līdzekļus vai šķīdinātājus. Tie var sabojāt ierīces plastmasas daļas. Pievērsiet uzmanību tam, lai ūdens neiekļūstu ierīces iekšpusē.
5. Regulāri pārbaudiet griezējauklas stāvokli un skrūvju pievilkšanu. Jaunu ierīču gadījumā pirmā skrūvju pievilkšanas pārbaude ir jāveic pēc aptuveni 2 stundām zāles trimmera darbības. Ja nepieciešams, pievelciet vajīgās skrūves.
6. Rūpējieties par visu elektroinstrumenta elementu pareizu stāvokli, nepārslogojiet ierīci un neveiciet darbus, kuriem ierīce nav paredzēta.

Elektriskais izkopts

Dzinēja veids: elektrisks, suku

Dzinēja jauda: 1400 W

Griešanās ātrums: 7500 rpm

Pļaušanas diametrs — aukla: 420 mm

Galvas veids un tips: pusautomātiska/dubultā aukla

Ieteicamais auklas diametrs: no 1,6 mm līdz 2,0 mm

Troksnis un vibrācijas

Troksnis un vibrācijas ir izmērīti atbilstoši standartam 2000/14/EC, 20005/88/EC .

Troksņa emisija: Akustiskā spiediena līmenis LpA: 75,51 dB (A)

Novirze KpA: 3,00 dB (A)

Izmērītais akustiskās jaudas līmenis LwA: 95,51 dB (A)

Novirze KwA: 0,93 dB (A)

Garantētais akustiskās jaudas līmenis: LwA: 96,00 dB (A)

Kopējā vibrāciju vērtība un mērījumu nenoteiktība (K):

Vibrāciju, kas iedarbojas uz augšējām ekstremitātēm, vērtība: $7,95 \text{ m/s}^2$, $k = 1,5 \text{ m/s}^2$

Deklarētā kopējā vibrāciju vērtība ir izmērīta ar standarta testa metodi un var tikt izmantota, lai salīdzinātu

vienu ierīci ar otru. Norādīto vibrāciju emisijas vērtību var izmantot, lai sākotnēji novērtētu negatīvo iedarbību.

Ik pēc katrām 15 minūtēm darbības — 15 minūšu pārtraukums.

EU – DECLARATION OF CONFORMITY

01/2022/BC3010/BC5010

MANUFACTURER:

BLAUPUNKT COMPETENCE CENTER

2N-Everpol Sp. z o.o.

ul. Puławska 403A

02-801 Warsaw, Poland

Authorized person to prepare the technical documentation:

Tomasz Jakóbczyk

ul. Puławska 403A

02-801 Warsaw, Poland



Blaupunkt Competence Center
2N-Everpol Sp. z o.o.

Registered office:
Puławska 403A
02-801 Warsaw, Poland

Correspondence address:
Puławska 12
05-532 Baniocha, Poland
Phone +48 22 688 08 00

We declare under our sole responsibility that our product:

Type of device: **Brush cutter**
Name: **BC3010 , BC5010**

If used for its intended use complies with the essential protection requirements relating to the:

2014/30/EU (EMC Directive)

2014/35/EU (LVD Directive)

2006/42/EC (MD Machinery Directive)

2011/65/EU (RoHS Directive) and its Annex II amending directive 2015/863/EU

The assessment of this product has been based on the following standards:

EMC standards:

EN IEC 61000-3-2:2019+A1:2021

EN 61000-3-3:2013+A2:2021

EN 55014-1:2017+A1:2020 | EN IEC 55014-1:2021

EN 55014-2:2015 | EN IEC 55014-2:2021

MD and LVD standards:

EN ISO 11806-1:2022

EN 60335-1:2012+A11:2014+A13:2017+A1:2019+A14:2019+A2:2019+A15:2021

EN 50636-2-91:2014

EN 62233:2008

RoHS standards:

EN IEC 63000:2018

Warsaw, 21.11.2022

PREZES Zarządu
Tomasz Jakóbczyk
Tomasz Jakóbczyk
President
authorized person to issue the declaration of conformity

DEKLARACJA ZGODNOŚCI UE

01/2022/BC3010/BC5010

PRODUCENT:

BLAUPUNKT COMPETENCE CENTER

2N-Everpol Sp. z o.o.

ul. Puławska 403A

02-801 Warszawa, Polska

Osoba upoważniona do przygotowania dokumentacji technicznej:

Tomasz Jakóbczyk

ul. Puławska 403A

02-801 Warszawa, Polska



Blaupunkt Competence Center
2N-Everpol Sp. z o.o.

Dane rejestrowe:
Puławska 403A
02-801 Warszawa, Polska

Adres korespondencyjny:
Puławska 12
05-532 Baniocha, Poland
Telefon +48 22 688 08 00

Deklarujemy, na naszą wyłączną odpowiedzialność, że produkt:

Typ urządzenia: **Kosa elektryczna**
Symbol: **BC3010, BC5010**

Jeżeli jest stosowany zgodnie z przeznaczeniem, spełnia zasadnicze wymogi w zakresie poniższych dyrektyw:

2014/30/WE (Dyrektywa EMC)

2014/35/WE (Dyrektywa LVD)

2006/42/WE (Dyrektywa maszynowa MD)

2011/65/WE (Dyrektywa RoHS) oraz załącznik II do dyrektywy zmieniającej

2015/863/UE

Ocena tego produktu została oparta na następujących normach:

Normy EMC:

EN IEC 61000-3-2:2019+A1:2021

EN 61000-3-3:2013+A2:2021

EN 55014-1:2017+A1:2020 | EN IEC 55014-1:2021

EN 55014-2:2015 | EN IEC 55014-2:2021

Normy MD oraz LVD:

EN ISO 11806-1:2022

EN 60335-1:2012+A11:2014+A13:2017+A1:2019+A14:2019+A2:2019+A15:2021

EN 50636-2-91:2014

EN 62233:2008

Norma RoHS:

EN IEC 63000:2018

PREZES Zarządu
Tomasz Jakóbczyk
President
Tomasz Jakóbczyk

Imię i nazwisko osoby upoważnionej do wystawienia deklaracji zgodności

Warszawa, 21.11.2022



Competence Center

2N-Everpol Sp. z o.o.
ul. Puławska 403A
02-801 Warsaw, Poland
phone: +48 22 688 08 00
e-mail: info@everpol.pl
www.blaupunkt.com

W przypadku pytań lub problemów
prosimy o kontakt z naszym serwisem.
In case of questions or problems
please contact our service.
Tel. 00 48 22 688 08 33
Email: tools@blaupunkt.pl

Wszelkie prawa zastrzeżone. Wszystkie nazwy marek są zarejestrowanymi
znakami towarowymi należącymi do odpowiednich podmiotów.
Dane i parametry techniczne mogą ulec zmianie bez wcześniejszego uprzedzenia.

All rights reserved. All brand names are registered trademarks of their
respective owners. Specifications are subject to change without prior notice.

Enjoy it.