

Owner's Manual
Instrukcja obsługi
Návod k použití
Navodila za uporabo
Használati útmutató
Upute za upotrebu

Instrucțiune de deservire
Инструкция за употреба
Οδηγίες χρήσης
Kasutusjuhend
Naudojimo instrukcijos
Užívateľská príručka



Enjoy it.

CD Boombox

IMPORTANT SAFETY INSTRUCTIONS

**CAUTION**

RISK OF ELECTRIC SHOCK
DO NOT OPEN

Important Safety Instructions

Caution:

To reduce the risk of electric shock, do not remove cover (or back). No user serviceable parts inside. Refer servicing to qualified service personnel.

Explanation of Graphical Symbols:



The lightning flash within an equilateral triangle is intended to alert you to the presence of uninsulated dangerous voltage within the product's enclosure that may be of sufficient magnitude to constitute an electric shock to a person or persons.



The exclamation point within an equilateral triangle is intended to alert you to the presence of important operating and maintenance (servicing) instructions in the literature accompanying the product.

To achieve the utmost in enjoyment and performance, and in order to become familiar with its features, please read this manual carefully before attempting to operate this product. This will assure you years of trouble free performance and listening pleasure.

Important Notes

- This safety and operating instruction should be retained for future reference.
- The apparatus should not be exposed to dripping or splashing or placed in a humid atmosphere such as a bathroom.
- Do not install the product in the following areas:
 - Places exposed to direct sunlight or close to radiators.
 - On top of other stereo equipment that radiate too much heat.
 - Blocking ventilation or in a dusty area.
 - Areas where there is constant vibration.
 - Humid or moist places.
- Do not place near candles or other naked flames.
- Operate the product only as instructed in this manual.
- Before turning on the power for the first time, make sure the power adaptor is properly connected.
- Plug-in the USB stick directly or use an USB-extension cable which is not longer than 25 cm.

For safety reasons, do not remove any covers or attempt to gain access to the inside of the product. Refer any servicing to qualified personnel.

Do not attempt to remove any screws, or open the casing of the unit; there are no user serviceable parts inside. Refer all servicing to qualified service personnel.

SAFETY INSTRUCTIONS

1. **Read Instructions** - All the safety and operating instructions must be read before the product is operated.
2. **Retain Instructions** - The safety and operating instructions should be kept with the product for future reference.
3. **Heed warnings** - All warnings on the product and in the operating instructions should be adhered to.
4. **Follow instructions** - All operating and users' instructions should be followed.
5. **Installation** - Install in accordance with the manufacturer's instructions.
6. **Power sources** - This product should be operated only from the type of power source indicated by the marking adjacent to the power cord entry. If you are not sure of the type of power supply to your home, consult your product dealer or local power company.
7. **Grounding or polarization** - the product is not required to be grounded. Ensure that the plug is fully inserted into the wall outlet or extension cord receptacle to prevent blade or pin exposure. Some versions of the product are equipped with a power cord fitted with a polarized alternating line plug (a plug having one blade wider than the other). This plug will fit onto the power outlet only one way. This is a safety feature. If you are unable to insert the plug fully into the outlet, try reversing the plug. If the plug should still fail to fit, contact your electrician to replace your obsolete outlet. Do not defeat the safety purpose of the polarized plug. When using an extension power-supply cord or a power-supply cord other than that supplied with the appliance, it should be fitted with the appropriate molded plugs and carry safety approval appropriate to the country of use.
8. **Power cord protection** - Power-supply cords should be routed so that they are not likely to be walked on, kinked or pinched by items placed on or against them, paying particular attention to cords from plugs, receptacles and the point where they exit from the product.
9. **Overloading** - Do not overload wall outlets, extension cords, or multiple sockets, as this can result in a risk of fire or electric shock.
10. **Ventilation** - The product must be properly ventilated. Do not place the product on a bed, sofa, or other similar surface. Do not cover the product with any items such as tablecloths, newspapers, etc.
11. **Heat** - The product should be situated away from heat sources such as radiators, heat registers, stoves, or other products, including amplifiers that produce heat. No naked flame sources, such as lighted candles, should be placed on the apparatus.
12. **Water and moisture** - To reduce the risk of fire or electric shock, do not expose the product to rain, dripping, splashing or excessive moisture such as in a sauna or bathroom. Do not use this product near water, for example, near a bathtub, washbowl, kitchen sink, laundry tub, in a wet basement or near a swimming pool (or similar).
13. **Object and Liquid Entry** - Never push objects of any kind into this product through openings, as they may touch dangerous voltage points or short-circuit parts that

could result in a fire or electric shock. Never spill liquid of any kind on the product. Do not place any object containing liquid on top of the product.

14. **Cleaning** - Unplug the product from the wall outlet before cleaning. Dust in the woofer may be cleaned with a dry cloth. If you wish to use an aerosol cleaning spray, do not spray directly on the cabinet; spray onto the cloth. Be careful not to damage the drive units.
15. **Attachments** - Do not use attachments not recommended by the product manufacturer, as they may cause hazards.
16. **Accessories** - Do not place this product on an unstable cart, stand, tripod, bracket or table. The product may fall, causing serious injury to a child or adult, and serious damage to the product. Use only with a cart, stand, tripod, bracket or table recommended by the manufacturer or sold with the product. Any mounting of the product should follow the manufacturer's instructions and should use a mounting accessory recommended by the manufacturer.
17. **Moving the product** - A product and cart combination should be moved with care. Quick stops, excessive force and uneven surfaces may cause the product and cart combination to overturn.
18. **Unused periods** - The power cord of the appliance should be unplugged from the outlet during lightning storms or when the apparatus is left unused for a long period of time.
19. **Servicing** - Do not attempt to service this product yourself, as opening or removing covers may expose you to dangerous voltage or other hazards. Refer all servicing to qualified service personnel.
20. Please remove the power plug from the main power source or wall power source when not in use. When plugged in to a power source, the system is in standby mode, so the power is not entirely cut off.
21. **Replacement parts** - When replacement parts are required, ensure that the service technician has used replacement parts specified by the manufacturer or have the same characteristics as the original part. Unauthorized substitutions may result in fire, electric shock or other hazards.
22. **Mains fuses** - For continued protection against fire hazard, use fuses only of the correct type and rating. The correct fuse specification for each voltage range is marked on the product.
23. Do not turn up the volume while listening to a section with very low level inputs or no audio signals. If you do, the speaker may be damaged when a peak level section is suddenly played.
24. The only means of completely disconnecting the product from the power supply is by removing the power cord from the wall outlet or the product. The wall outlet or the power cord entry to the product must remain freely accessible at all times while the product is in use.
25. Try to install the product near a wall socket or extension cord and shall be easily accessible.
26. The highest environmental temperature suitable for this product is 35°C.
27. **ESD hints** - If the product maybe reset or not reset to operation of control due to electrostatic discharge, just switch off and reconnect again, or move the product to another location.

28. Battery



- 1) The batteries must not be exposed to excessive heat such as sunshine, fire or the like.
- 2) The batteries should be drawn to the environmental aspects of battery disposal.
- 3) Battery usage CAUTION-to prevent battery leakage which may result in body injuries, property damage, or damage to the apparatus:
 - Install all batteries correctly, + and – as marked on the apparatus.
 - Do not mix batteries (old and new or carbon and alkaline, etc.)
 - Remove batteries when the unit is not used for a long time.


WARNING

This appliance is not intended for use by persons (including children) with reduced physical sensory or mental capabilities, or lack of experience and knowledge, unless they have been given supervision or instruction concerning use of the appliance by a person responsible for their safety. Children should be supervised to ensure that they do not play with the appliance.

1. Never use the device unsupervised! Switch off the device whenever you are not using it, even if this only for a short while.
2. The appliance is not intended to be operated by means of an external timer or separate remote control system.
3. If the supply cord is damaged, it must be replaced by the manufacturer, its service agent or similarly qualified persons in order to avoid a hazard.
4. Before operating this system, check the voltage of this system to see if it is identical to the voltage of your local power supply.
5. The unit should not be impeded by covering the ventilation opening with items such as newspaper, table-cloths, curtains etc. Make sure that there are at least 20 cm of space above and at least 5 cm of space on each side of the unit.
6. The apparatus must not be exposed to dripping or splashing and that objects filled with liquids, such as vases, must not be placed on the apparatus.
7. To prevent fire or shock hazard, do not expose this equipment to hot places, rain, moisture or dust.
8. Do not locate this unit near any water sources e.g. taps, bathtubs, washing machines or swimming pools. Ensure that you place the unit on a dry, stable surface.
9. Do not place this unit close to a strong magnetic field.
10. Do not place the unit on a amplifier or receiver.
11. Do not place this unit in a damp area as the moisture will affect the life of electric components.
12. If the system is brought directly from a cold to a warm location, or is placed in a very damp room, moisture may condense on the lens inside the player. If this occurs, the system will not operate properly. Please leave the system turned on for about an hour until the moisture evaporates.
13. Do not attempt to clean the unit with chemical solvents as this might damage the finish. Wipe with a clean, dry or slightly damp cloth.
14. When removing the power plug from the wall outlet, always pull directly on the

- plug, never pull on the cord.
15. Depending on the electromagnetic waves used by a television broadcast, if a TV is turned on near this unit while it is also on, lines might appear on the TV screen. Neither this unit nor the TV is malfunctioning. If you see such lines, keep this unit well away from the TV set.
 16. The mains plug is used as the disconnect device, the disconnect device must remain readily operable.
 17. To keep the laser pickup clean, do not touch it, and always close the disc tray.
 18. During playback, the disc rotates at high speed. DO NOT lift or move the unit during playback, doing so may damage the disc or the unit.
 19. When changing places of installation or packing the unit for moving, be sure to remove the disc and return the disc tray to its closed position in the player. Then, press switch to turn the power off and disconnect the power cord. Moving this unit with the disc loaded may result in damage to this unit.
 20. Put discs back in their case after playing them. Never expose discs to direct sunlight or heat sources. Never leave discs inside a car parked in full sunlight.
 21. Do not touch the playback side of disks. Hold discs by the edges to avoid leaving fingerprints on the surface. Any dust, fingerprints or scratches may cause a malfunction. Never attach a label or sticky tape to the disc.



 22. Use a clean soft lint-free cloth to clean the disc, working from the center outwards in a straight line, thinners, commercially available cleaners or anti static sprays for vinyl discs.


 23. To prevent possible hearing damage, do not listen at high volume levels for long periods.



WARNING: DANGER OF RADIATION

CLASS 1 LASER PRODUCT
LUOKAN 1 LASERLAITE
KLASS 1 LASERAPPARAT

This label means that this unit contains a laser component. Opening the CD compartment lid and defeating the safety interlocks will expose the user to radiation from the laser beam. Do not stare into the laser while it is operating.

BEFORE OPERATION

Notes: Concerning compact discs.

Since dirty, damaged or warped discs may damage the appliance, care should be taken of the followings items:

- a. Usable compact discs. Use only compact disc with the mark shown below.



- b. CD compact disc only with digital audio signals.

NOTICE



Conformity

Hereby, Blaupunkt Competence Center 2N-Everpol Sp. z o.o., declares that this equipment is in compliance with the essential requirement and other relevant provisions of Directive 2014/53/EU. Declaration of conformity can be obtained from the product page at www.blaupunkt.com.
Responsible party: 2N-Everpol Sp. z o.o, Puławska 403A, 02-801 Warsaw, Poland,
Phone: +48 22 331 99 59, E-mail: info@everpol.pl



Your products is designed an manufactured with high quality materials and components, which can be recycled and reused.



When this crossed-out wheeled bin symbol is attached to a product it means that the product is covered by the European Directive 2002/96/EC. Please inform yourself about the local separate collection system for electrical and electronic products. Please cat according to your local rules and do not dispose of your old products with your normal household waste. Correct disposal of your old product helps to prevent potential negative consequences for the environment and human health.



Your product contains batteries covered by the European Directive 2013/56/EU , which cannot be dispose with normal household waste. Please inform yourself about the local rules on separate collection of batteries because correct disposal helps to prevent negative consequences for the environmental and human health.

Environmental information

All unnecessary packaging has been omitted. We have tried to make the packaging easy to separate into three materials: cardboard(box), polystyrene foam(buffer) and poly ethylene (bags, protective foam sheet). Your system consists of material which can be recycled and reused if disassembled by a specialized company. Please observe the local regulations regarding the disposal of packaging materials, exhausted batteries and old equipment.

Recording and playback of material might require consent. See Copyright Act 1956 and The Performer's Protection Acts 1958 to 1972.

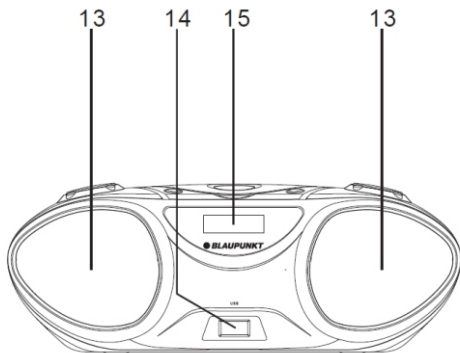
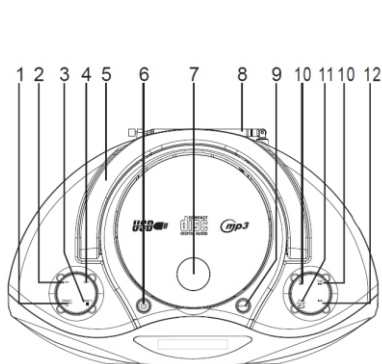
ERP2 - (Energy Related Products) note

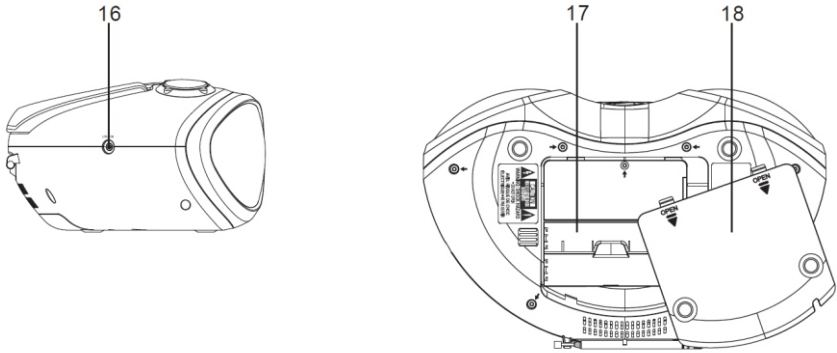
This product with ecodesign complies with the stage 2 requirements of Commission Regulation (EC) NO. 1275/2008 implementing Directive 2009/125/EC regard to standby and off mode electric power consumption of electronic household and office equipment. After 30 minutes without any audio input, the device will automatically switch into standby mode. Follow up the instruction manual to resume the operation.

Important note:

This device is equipped with an energy saving mode: if no signal is given during 30 minutes the device will switch automatically into standby mode in order to save energy (ERP 2 standard). Please note that low volume setting in the audio source may be recognized as "no audio signal": this will affect the capability of signal detection from the device and can also originate an automatic switch into standby mode. If this happens please reactivate the audio signal transmission or increase the volume setting on the audio source player (MP3 player, etc.), in order to resume playback. Please contact the local service center if the problem remains.

LOCATION OF CONTROLS





Name of controls

- 1- Preset - / folder + /10 + button
- 2- Volume – button;
- 3- Preset + / stop button;
- 4- Volume + button;
- 5- Handle;
- 6- Standby button;
- 7- CD door;
- 8- FM antenna;
- 9- Source button;
- 10- Tune +/- & previous / next button;
- 11- Program / clock set / repeat button
- 12- Play/pause button;
- 13- Speaker;
- 14- USB
- 15- Display;
- 16- Line in jack;
- 17- Battery compartment(power cord hide inside);
- 18- Battery door;

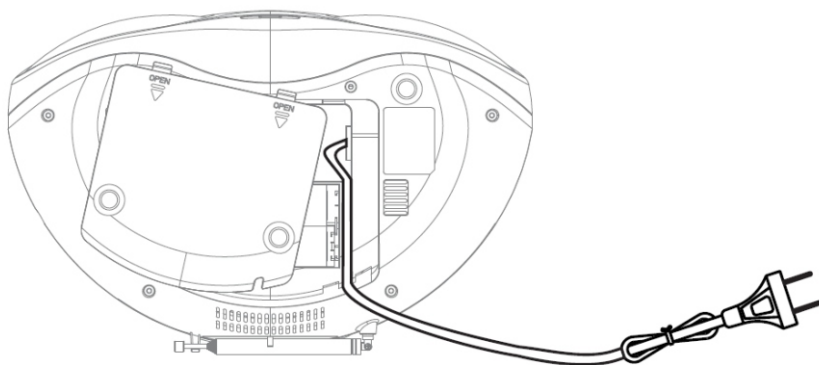
Power source and connection

AC operation: Open the bottom battery door and loose the power cord from the inner compartment; then order the power cord to follow the cable management slot and fully extent it through the open hole of battery door; and close the boattery door. Insert the power plug into the AC wall outlet in order get the power, meanwhile, the display will light up. The batteries power will be disconnected automatically once AC power is available.

DC operation(battery power): open the battery door and insert 6pcs x UM2/1.5V batteries(not include) according to the engraved positive and negative polarity symbol. Then recover the battery door.

Notes:

- Please kindly note the power cord is fixed and hided inside of the battery compartment.
- The sound will become distortion due to low or exhausted battery power, please replace it with fresh battery. Please deposal the battery in environmental friendly way, please reference and follow the requirement by your local government.
- Please do not install the battery with mix up brand; please take out the battery in case of no operation in a long time to avoid liquid leakage issue.



Clock time setting

The display will light up once the power source ready, which means the unit is in power standby mode. Press and hold the clock set button 2 seconds, the hour digits will flare on display; short press the tune +/- button to adjust the hours; short press the clock set button to confirm the selection and skip to minute setting; adjust the minute by tune +/- button and short press the clock set button again to complete the clock time setting.

Notes:

- Only 24 hours format is supported.
- The clock time is only available when the AC or DC power is provided. Please set the clock time again in case of power interrupted.
- The display will auto resume to clock time interface after 5 seconds in audio playing mode.

CD operation

This unit can playback CD disc which is under CD/CD-R/CD-RW/MP3 format. Before start the playback, please check the CD disc format first, and make sure the CD disc is clean and no damages.

CD playback: Open the CD door and load a CD disc, then close the door. Press the standby button to power on the unit ; press the source button to switch into CD mode; then the unit will read out the CD and get sound output automatically.

In CD playback mode, press the volume +/- button to adjust the volume output level; press the play/pause button to pause or resume the playback; press stop button for playing stop; short press the previous and next button to select the track, press hold and release it for fast-forwarding or fast-rewinding playback selection; Press the repeat button for repeat one/repeat all/repeat folder selection;

Short press the 10+ button to select the playing per 10 tracks; press folder + button 2 seconds to switch the playback as per folder in case over 2 folders inside(for MP3 disc only).

Programming playback (up to 20 tracks for CD disc, and 99 tracks for MP3 disc): press the stop button to stop the CD playback first; press the program button to start programming; and the display will show " P01 " with " PROG "; press the previous and next button to switch and select the track which you desire to be programmed, then press the program button to confirm the selection; and the track will be saved as P01. Repeat the operation till " P20 " or " P99 " show on display which mean the programming memory is full. Press the play/pause button to play the programmed track; open the CD door or press the stop button twice to cancel and remove the programmed CD.

Radio operation

Before start the radio operation, please kindly full extent the FM antenna and try to put the unit next to the window in order to get better signal and reception.

Scan and auto scan: press the tune +/- button to tune the FM frequency step by step, press and hold it 2 seconds to auto scan the available station in upward or downward frequency; press and hold the program button 2 seconds to auto scan and save the available station.(Max supported preset station up to 40). Press the preset +/-button to pick up and switch the preset station.

Station manual memory: When you tuned a favorite station, press the program button first; then press the previous and next button to select the desirable preset station number, and press the program button again, then the station will be saved. Repeat the operation can save other station.

USB playback operation

Before start the USB playback operation, please copy the MP3 audio file into the USB stick (max supported device up to 32GB), then insert the USB stick into the USB port properly. Power on the unit and press the source button repeatedly enter to the USB mode, then the unit will auto decode the audio file and get sound output after a while.

In USB mode, press the play/pause button to pause or resume the playback; press stop button for playing stop; short press the previous and next button to select the track, press hold and release it for fast-forwarding or fast-rewinding playback selection; Press the repeat button for repeat one/repeat all/repeat folder selection; short press the 10+ button to switch the playing per 10 tracks, press folder + button 2 seconds to switch the playback as per folder in case over 2 folders inside.

Note:

- a. Using a extension cable for USB stick connection and playback is not recommended due to audio signal transfer which may cause sound output intermittently
- b. Not guarantee all USB stick devices are supported due to different design and brand.
- c. Not guarantee all MP3 audios can playback successfully.

AUX IN/Line in/MP3 Link operation

Using the 3.5mm stereo to 3.5mm audio cable and connect the LINE IN jack on the rear panel of unit with other player(like MP3 player etc..). Power on the unit and press source button repeatedly enter to LINE IN mode; Select and play the music from your player, then the sound will output from unit. Please kindly note the main control is on your player side, but you can adjust the volume level on the speaker side.

Specification

Power source:	AC 230V/50Hz; DC 9V battery power(6pcs x UM2 size,1.5V; battery not include);
FM frequency:	87.5~108.0MHz;
RMS power output:	2 x 1Watt;
USB rating output:	5V/100Ma;
USB supported:	up to 32GB, MP3 audio file;
CD optical pick-up:	3 beam semiconductor laser;
Power consumption:	12W
Standby power consumption:	< 1W

(the above spec may update without prior notice)

Trouble shooting

1. Cannot power on the unit.
 - a. Please check if the DC power has connected properly.
 - b. Please contact the service center for support in case of the problem remains.

2. The radio station sounds not good.
 - a. Please move the unit next to window or adjust the direction of antenna in order to get better reception.
 - b. Please try switch to another station for listening.
 - c. Please contact the service center for support in case of the problem remains.

3. The unit cannot read out the CD disc or USB stick.
 - a. Please double check if the CD disc or audio file format is correct or not.
 - b. Please contact the service center for support in case of the problem remains.

WAŻNE INSTRUKCJE DOTYCZĄCE BEZPIECZEŃSTWA



PRZESTROGA



ZAGROŻENIE PORAZENIEM
ELEKTRYCZNYM
NIE OTWIERAĆ

Ważne instrukcje dotyczące bezpieczeństwa

Przeestroga:

Aby zmniejszyć ryzyko porażenia prądem, nie wolno demontować pokrywy ani tylnej części urządzenia. Wewnątrz urządzenia nie znajdują się elementy przeznaczone do samodzielnej naprawy przez użytkownika. Konserwacją i naprawą sprzętu zajmują się wyłącznie wykwalifikowani pracownicy serwisu.

Objaśnienie symboli graficznych:



Symbol błyskawicy zakończonej strzałką umieszczonej w trójkącie równobocznym ostrzega użytkownika przed nieizolowanym „niebezpiecznym napięciem” w obrębie obudowy urządzenia, które może osiągnąć wielkość grożącą porażeniem prądem elektrycznym.



Znak wykrzyknika w trójkącie równobocznym ostrzega użytkownika, że w tym momencie przedstawione są ważne informacje dotyczące obsługi i konserwacji sprzętu w dokumentacji, dołączonej do urządzenia.

Prosimy o przeczytanie tej instrukcji przed przystąpieniem do obsługi urządzenia, aby zapoznać się z jego funkcjami i wykorzystać je zgodnie z przeznaczeniem. Zapewni to długotrwałą, bezawaryjną obsługę urządzenia i przyjemność z użytkowania.

Ważne informacje

- Należy zachować instrukcję obsługi oraz informacje dotyczące bezpieczeństwa w celu wykorzystania ich w przyszłości.
- Nie należy dopuszczać do tego, aby na urządzenie kapała lub wylewała się ciecz.
- Nie wolno też używać go w wilgotnych miejscach, jak np. łazienka.
- Nie wolno instalować tego urządzenia w następujących miejscach:
- Wystawionych na bezpośrednie działanie promieni słonecznych lub w pobliżu grzejników.
- Kłaść go na wierzchu innego sprzętu stereofonicznego który wydziela ciepło.
- Blokując wentylację lub w zapyłonym miejscu.
- W miejscach narażonych na ciągłe drgania.
- W miejscach o wysokiej wilgotności.
- Nie wolno stawiać urządzenia w pobliżu świec lub otwartego ognia.
- Urządzenia można używać wyłącznie w sposób opisany w niniejszej instrukcji.
- Przed pierwszym włączeniem zasilania należy upewnić się, że zasilacz został

prawidłowo podłączony.

- Pamięć USB podłącza się bezpośrednio lub przy użyciu przedłużacza USB o długości do 25 cm.

Ze względów bezpieczeństwa nie należy demontować obudów ani uzyskiwać dostępu do wnętrza urządzenia. Urządzenie powinno być naprawiane przez wykwalifikowany personel serwisu.

Nie wolno rozkręcać urządzenia ani otwierać jego obudowy, gdyż wewnątrz nie ma żadnych części, które mogłyby być naprawiane przez użytkownika. Konserwacją i naprawą sprzętu zajmują się wyłącznie wykwalifikowani pracownicy serwisu.

INSTRUKCJE DOTYCZĄCE BEZPIECZEŃSTWA

1. **Przeczytać instrukcje** – przed korzystaniem z urządzenia należy przeczytać całość instrukcji obsługi oraz informacje o bezpieczeństwie.
2. **Zachować instrukcje** – należy zachować instrukcje użytkownika i obsługi w celu wykorzystania ich w przyszłości.
3. **Przestrzegać ostrzeżeń** – należy postępować zgodnie z wszystkimi ostrzeżeniami zamieszczonymi na urządzeniu oraz zgodnie z instrukcją obsługi.
4. **Przestrzegać instrukcji** – należy postępować zgodnie z instrukcją obsługi oraz wskazówkami dla użytkownika.
5. **Instalacja** – należy ustawić urządzenie zgodnie z instrukcjami producenta.
6. **Źródła zasilania** – urządzenie powinno być zasilane wyłącznie ze źródeł o parametrach podanych na oznaczeniach na kablu zasilania. Jeżeli użytkownik nie jest pewien, jakiego rodzaju zasilaniem dysponuje w domu, powinien skontaktować się ze sprzedawcą urządzenia lub lokalnym dostawcą energii elektrycznej.
7. **Uziemienie lub polaryzacja zasilania** – urządzenie nie musi być uziemione. Należy upewnić się, że wtyczka jest do końca włożona do gniazdka sieciowego lub przedłużacza, aby nie dopuścić do odsłonięcia bolców lub styków. Niektóre wersje urządzenia mogą być wyposażone w spolaryzowaną wtyczkę prądu przemiennego (z jednym bolcem szerszym). Tę wtyczkę można włożyć do gniazdka sieciowego tylko w jeden sposób. Jest to funkcja zabezpieczająca. Jeśli nie można włożyć wtyczki do gniazda, należy spróbować ją odwrócić. Jeśli wtyczka nadal nie pasuje do gniazda, należy zlecić elektrykowi jego wymianę. Nie wolno zdejmować zabezpieczeń z wtyczki spolaryzowanej. Gdy korzysta się z przedłużacza lub kabla zasilania innego niż dostarczony razem z urządzeniem, powinny mieć właściwe
8. **Zabezpieczenie kabla zasilania** – kable zasilania należy poprowadzić w taki sposób, aby nie można było po nich chodzić, przycisnąć lub przyciąć postawionymi przedmiotami. Zwrócić szczególną uwagę na wtyczki, gniazdka sieciowe i miejsca, w którym kable są wprowadzone z urządzenia.
9. **Przeciążanie** – nie wolno przeciążać gniazdek ściennych, przedłużaczy i rozdzielaczy elektrycznych, ponieważ grozi to wybuchem pożaru lub porażeniem prądem elektrycznym.
10. **Wentylacja** – urządzenie musi być poprawnie wentylowane. Nie wolno ustawiać urządzenia na łóżku, sofie lub podobnych powierzchniach. Nie wolno przykrywać urządzenia obrusami, serwetkami, gazetami itd.

11. **Ciepło** – nie ustawiać urządzenia w pobliżu źródeł ciepła, takich jak grzejniki, promienniki, piece lub innych urządzeń (również wzmacniacze) wytwarzających ciepło. Nie stawiać na urządzeniu zapalonych świec i innych źródeł otwartego ognia.
12. **Woda i wilgoć** – aby zmniejszyć zagrożenie pożarem lub porażeniem elektrycznym, nie wolno narażać urządzenia na bezpośrednie działanie deszczu, wody i wilgoci, jak np. w saunie czy w łazience. Nie używać niniejszego urządzenia w pobliżu wody, na przykład obok wanny, umywalki, zlewu kuchennego lub balii, w wilgotnej piwnicy lub w pobliżu basenu (lub w podobnych miejscach).
13. **Przedmioty i ciecze w urządzeniu** – nie należy wciskać jakichkolwiek przedmiotów przez otwory urządzenia, ponieważ mogą one zetknąć się z punktami niebezpiecznego napięcia i podzespołami, co może wywołać pożar lub porażenie prądem. Pod żadnym pozorem nie należy rozlewać jakichkolwiek cieczy na powierzchni urządzenia. Nie wolno kłaść na wierzchu urządzenia przedmiotów zawierających ciecze.
14. **Czyszczenie** – należy zawsze odłączyć urządzenie od gniazdka sieciowego przed czyszczeniem. Kurz dookoła głośnika można usunąć suchą szmatką. Jeśli do czyszczenia ma być użyty aerozol, nie należy kierować rozpylanego strumienia bezpośrednio na urządzenie, ale na szmatkę. Należy uważać, aby nie uszkodzić jednostek napędowych.
15. **Wyposażenie dodatkowe** – nie wolno używać akcesoriów, które nie są dopuszczone przez producenta, gdyż mogą stwarzać zagrożenie.
16. **Akcesoria** – nie wolno ustawiać urządzenia na niestabilnym wózku, stojaku, statywie, wsporniku czy stole. Urządzenie może ulec przewróceniu i uszkodzeniu oraz spowodować poważne obrażenia u dziecka lub osoby dorosłej. Należy używać wyłącznie wózków, stojaków, statywów, wsporników i stołów określonych przez producenta albo sprzedawanych wraz z urządzeniem. Montaż urządzenia należy przeprowadzać zgodnie z instrukcjami producenta, przy użyciu zestawu montażowego zalecanego przez producenta.
17. **Przenoszenie urządzenia** – urządzenie umieszczone na wózku należy przesuwać bardzo ostrożnie. Gwałtowne zatrzymanie, zbyt duża siła lub nierówne powierzchnie mogą spowodować przewrócenie wózka wraz z urządzeniem.
18. **Okres nieużywania urządzenia** – kabel zasilania urządzenia należy odłączyć od gniazdka sieciowego w trakcie burz z wyładowaniami atmosferycznymi lub gdy urządzenie nie będzie używane przez dłuższy czas.
19. **Serwisowanie** – nie należy próbować własnoręcznego przeglądania urządzenia. Otwieranie pokrywy może spowodować kontakt z niebezpiecznym napięciem i narazić użytkownika na inne niebezpieczeństwa. Konserwacją i naprawą sprzętu zajmują się wyłącznie wykwalifikowani pracownicy serwisu.
20. Gdy urządzenie nie jest używane, należy odłączyć jego wtyczkę zasilania od gniazdka sieciowego. Gdy urządzenie jest podłączone do źródła zasilania, znajduje się w trybie czuwania i nie jest całkowicie wyłączone.
21. **Części zamienne** – przy wymianie części należy sprawdzić, czy pracownik serwisu użył części zamiennych zalecanych przez producenta lub też czy części są identyczne jak część oryginalna. Dokonywanie wymiany na niezatwierdzone części grozi wybuchem pożaru, porażeniem prądem elektrycznym lub innymi niebezpieczeństwami.

22. **Główne bezpieczniki** – aby zabezpieczyć w sposób ciągły urządzenie przed pożarem, należy używać bezpieczników właściwego typu i parametrów. Parametry bezpieczników w danym zakresie napięcia są zaznaczone na urządzeniu.
23. Nie wolno zwiększać głośności przy słuchaniu części utworu o małej głośności lub przy braku wejściowego sygnału audio. W innym wypadku może dojść do uszkodzenia głośnika przy gwałtownym wzroście natężenia sygnału.
24. Jedynym sposobem całkowitego odłączenia urządzenia od źródła zasilania jest odłączenie kabla zasilania z gniazdka zasilania lub z urządzenia. Gniazdko sieciowe lub wejście kabla zasilania do urządzenia muszą być zawsze dostępne w trakcie używania produktu.
25. Urządzenie powinno się ustawić w pobliżu gniazdka sieciowego lub przedłużacza i w taki sposób, aby zawsze było dostępne.
26. Maksymalna temperatura otoczenia urządzenia wynosi 35°C.
27. **Wskazówki dotyczące wyładowań elektrostatycznych** – jeśli działanie urządzenia jest zakłócone wyładowaniami elektrostatycznymi, należy go wyłączyć i ponownie włączyć lub przenieść urządzenie w inne miejsce.
28. **Bateria**
 - a. Baterie nie mogą być narażone na działanie nadmiernego ciepła, jak np. promieni słonecznych, ognia itp.
 - b. Podczas użycia baterii należy zwrócić uwagę na aspekty ochrony środowiska.
 - c. Przestroga dotycząca używania baterii: aby nie dopuścić do rozszczelnienia baterii, które może spowodować obrażenia ciała bądź uszkodzenie urządzenia:
 - Podczas wkładania baterii zwrócić uwagę na jej polaryzację (+ i -).
 - Nie wolno jednocześnie używać różnych baterii — starych i nowych baterii standardowych i alkalicznych itd.
 - Należy wyjąć baterie z urządzenia, gdy nie będzie ono używane przez dłuższy czas.

OSTRZEŻENIE

Urządzenie nie powinno być używane przez osoby (w tym dzieci) o obniżonej sprawności fizycznej, sensorycznej lub umysłowej oraz osoby z niewystarczającą wiedzą i doświadczeniem, jeśli nie znajdują się one pod nadzorem osoby odpowiedzialnej za ich bezpieczeństwo i nie zostały poinstruowane jak bezpiecznie używać urządzenia. Obecność osób dorosłych jest wymagana, jeśli urządzenie obsługują dzieci; pozwoli to zapewnić bezpieczne korzystanie z urządzenia.

1. Nie wolno pozostawić pracującego urządzenia bez nadzoru! Należy wyłączać urządzenie, gdy nie jest ono używane, nawet przez krótką chwilę.
2. Urządzenia nie wolno obsługiwać za pośrednictwem zewnętrznego zegara z układem czasowym ani za pomocą oddzielnego układu ze zdalnym sterowaniem.
3. Aby uniknąć zagrożenia w przypadku uszkodzenia przewodu zasilania, wymianę powinien wykonać producent, autoryzowany punkt serwisowy lub inna osoba posiadająca odpowiednie kwalifikacje.
4. Przed przystąpieniem do obsługi urządzenia należy sprawdzić, czy jego napięcie odpowiada napięciu występującemu w lokalnej sieci zasilającej.
5. Nie wolno zakrywać otworów wentylacyjnych urządzenia np. gazetami, obrusem,

zasłonami itp. Należy upewnić się, że nad urządzeniem jest co najmniej 20 cm wolnego miejsca, a z każdej jego strony — co najmniej 5 cm.

6. Nie należy dopuszczać do tego, aby na urządzenie kapąła lub wylewała się ciecz, ani nie należy stawiać na nim przedmiotów wypełnionych cieczami, takich jak wazony.
7. Aby uniknąć pożaru lub porażenia prądem elektrycznym, należy chronić urządzenie przed gorącymi miejscami, działaniem deszczu, wilgoci i pyłu.
8. Nie wolno ustawiać urządzenia w pobliżu jakichkolwiek źródeł wody, np. kranów, wanien, pralek lub basenów pływackich. Urządzenie należy ustawić na równym i stabilnym podłożu.
9. Nie wolno narażać urządzenia na silne pole magnetyczne.
10. Nie wolno stawiać urządzenia bezpośrednio na wzmacniaczu lub amplitunerze.
11. Nie wolno stawiać urządzenia w wilgotnym miejscu, gdyż wilgoć ma szkodliwy wpływ na podzespoły elektryczne.
12. Po wniesieniu urządzenia z zimnego miejsca lub do ciepłego miejsca może dojść do kondensacji wilgoci na soczewce wewnątrz odtwarzacza. W takiej sytuacji urządzenie nie będzie działać prawidłowo. Należy pozostawić włączone urządzenie na około jedną godzinę, aby umożliwić odparowanie wilgoci.
13. Nie wolno czyścić urządzenia rozpuszczalnikami chemicznymi, gdyż mogą one zniszczyć lakier obudowy. Urządzenie wyciera się czystą, suchą lub nieznacznie zwilżoną ściereczką.
14. Podczas wyciągania wtyczki z gniazdka ściennego należy zawsze ciągnąć za wtyczkę, nigdy za kabel zasilania.
15. Gdy włączone urządzenie jest używane w pobliżu włączonego telewizora, może to być źródłem zakłóceń obrazu w postaci linii na ekranie. Zależy to od pasma fal transmisji TV. Nie oznacza to nieprawidłowego działania urządzenia ani telewizora. Jeśli są widoczne takie linie, należy odsunąć urządzenie od telewizora.
16. Wtyczka sieciowa jest używana do odłączania napięcia zasilającego i powinna być zawsze dostępna.
17. Aby zachować głowicę laserową do odczytu płyt CD w czystości, nie wolno jej dotykać i zawsze zamykać kieszeń na płyty.
18. W trakcie odtwarzania płyta obraca się z dużą prędkością. **NIE WOLNO** podnosić ani przesuwać urządzenia podczas odtwarzania, gdyż może to być przyczyną uszkodzenia płyty lub samego urządzenia.
19. Przed przeniesieniem urządzenia w inne miejsce lub na czas przeprowadzki należy wyjąć płytę i zamknąć kieszeń na płyty. Następnie należy wyłączyć zasilanie i odłączyć kabel zasilania. Przenoszenie urządzenia z płytą w kieszeni może być przyczyną jego uszkodzenia.
20. Po odtworzeniu płyty należy umieścić w opakowaniu. Nie wolno wystawiać płyt na bezpośrednie działanie promieni słonecznych i źródła ciepła. Nie wolno zostawiać płyt wewnątrz samochodu zaparkowanego w pełnym słońcu.
21. Nie wolno dotykać strony płyt bez etykiety. Trzymać płyty za krawędź, aby nie pozostawić odcisków palców. Pył, odciski palców lub zadrapania płyt mogą być przyczyną niepoprawnego działania odtwarzacza. Nie wolno naklejać karteczek lub taśmy samoprzylepnej na płytę.



22. Do czyszczenia płyty używa się czystej, niepozostawiającej kłaczek ściereczki. Zaczyna się czyszczenie ruchem prostoliniowym od środka płyty do jej krawędzi, używając do tego celu powszechnie dostępnych środków czyszczących lub środków antystatycznych do płyt winylowych.
23. Aby nie dopuścić do ewentualnej utraty słuchu, nie wolno słuchać głośno muzyki przez dłuższy czas.



OSTRZEŻENIE: ŹRÓDŁO PROMIENIOWANIA

CLASS 1 LASER PRODUCT
LUOKAN 1 LASERLAITE
KLASS 1 LASERAPPARAT

Ta etykieta oznacza, że wewnątrz urządzenia znajdują się podzespoły laserowe. Otwarcie pokrywy kieszeni na płyty CD i pominięcie blokad zabezpieczających naraża użytkownika na działanie promieniowania laserowego. Nie wolno patrzeć się na wiązkę lasera podczas pracy urządzenia.

PRZED ROZPOCZĘCIEM PRACY

Uwagi: dotyczące płyt kompaktowych.

Ponieważ zabrudzone, uszkodzone lub odkształcone płyty mogą być przyczyną uszkodzenia urządzenia, należy zwrócić uwagę na następujące elementy:

- a. Płyty kompaktowe, których można używać. Można używać tylko wskazanych poniżej płyt.



- b. Płyty CD wyłącznie z cyfrowym dźwiękiem audio.

UWAGA



Deklaracja

Niniejszym Blaupunkt Competence Center 2N-Everpol Sp. z o.o. oświadcza, że to urządzenie jest zgodne z wymogami i innymi odpowiednimi postanowieniami dyrektywy 2014/53 / UE. Pełną deklarację zgodności można uzyskać na stronie www.blaupunkt.com w zakładce produktu.

Podmiot odpowiedzialny: 2N-Everpol Sp. z o.o., Puławska 403A, 02-801 Warszawa, Polska, Telefon: +48 22 331 99 59, e-mail: info@everpol.pl



Produkt został wyprodukowany z wysokiej jakości materiałów i podzespołów, które można poddać recyklingowi i ponownie użyć.



Jeśli na urządzeniu znajduje się znak przekreślonego kosza na śmieci, oznacza to, że produkt jest objęty postanowieniami dyrektywy europejskiej 2002/96/WE. Należy zapoznać się z wymaganiami dotyczącymi lokalnego systemu zbiórki odpadów elektrycznych i elektronicznych. Należy postępować zgodnie z lokalnymi przepisami. Nie wolno wyrzucać tego produktu razem ze zwykłymi odpadami domowymi. Prawidłowe usunięcie starego produktu zapobiegnie potencjalnym negatywnym skutkom dla środowiska naturalnego i zdrowia ludzkiego.



Urządzenie jest wyposażone w baterie objęte dyrektywą europejską 2013/56/EU. Baterie nie wolno wyrzucać razem z odpadami gospodarstwa domowego. Należy zapoznać się z lokalnymi przepisami dotyczącymi oddzielnej zbiórki baterii, ponieważ prawidłowa utylizacja zapobiegnie potencjalnym negatywnym skutkom dla środowiska naturalnego i zdrowia ludzkiego.

Informacje o ochronie środowiska naturalnego

Opakowanie zawiera tylko niezbędne elementy. Dołożono wszelkich starań, aby trzy materiały składowe opakowania były łatwe do oddzielenia: karton (pudełko), pianka polistyrenowa (zabezpieczenia wewnątrz) i polietylen (torebki, arkusz ochronny). Urządzenie wyprodukowano z materiałów, które można poddać recyklingowi i użyć ponownie po ich demontażu przez wyspecjalizowaną firmę. Należy przestrzegać lokalnych przepisów dotyczących utylizacji materiałów opakowaniowych, zużytych baterii i niepotrzebnych urządzeń.

Nagrywanie i odtwarzanie materiałów może wymagać uzyskania zgody. Patrz ustawa o prawach autorskich i prawach wykonawców/artystów.

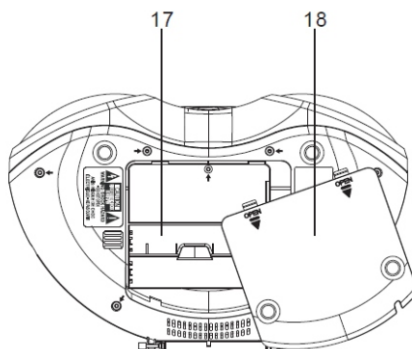
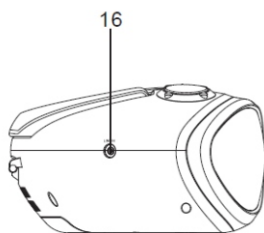
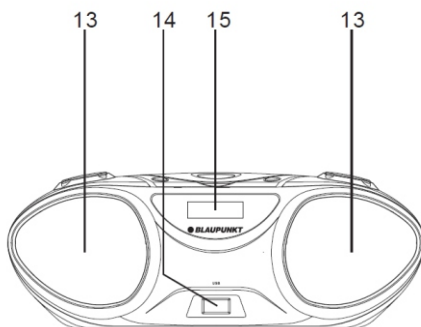
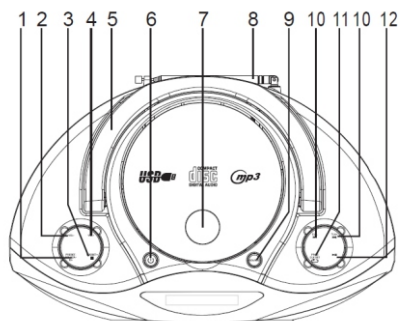
Uwaga dotycząca ERP2 (urządzeń związanych z energią)

Niniejsze urządzenie z ekoprojektem spełnia wymagania etapu 2 Rozporządzenia Komisji (WE) nr 1275/2008 wprowadzającego dyrektywę 2009/125/WE dotyczącą poboru energii przez wyłączone i znajdujące się w trybie czuwania urządzenia elektroniczne do zastosowań biurowych i domowych. Po upływie 30 minut bez wejściowego sygnału audio urządzenie automatycznie przejdzie w tryb czuwania. Informacje na temat przywrócenia normalnego działania można znaleźć w instrukcji obsługi.

Ważna informacja:

Niniejsze urządzenie jest wyposażone w funkcję trybu oszczędzania energii: jeśli w ciągu 30 minut nie jest podawany do niego żaden sygnał wejściowy, urządzenie automatycznie przejdzie w tryb czuwania w celu oszczędzania energii (norma ERP 2). Należy zauważyć, że ustawienie niskiego poziomu głośności w źródle sygnału audio może zostać rozpoznane jako stan „braku sygnału audio”: może to mieć wpływ na zdolność wykrywania sygnału z urządzenia oraz spowodować automatycznie przejście w tryb czuwania. W takim wypadku należy przywrócić transmisję sygnału audio lub zwiększyć poziom głośności w źródle sygnału audio (odtwarzacz MP3 itp.) w celu wznowienia odtwarzania. Jeśli problem nie ustąpi, prosimy o kontakt z lokalnym serwisem.

LOKALIZACJA ELEMENTÓW STEROWANIA



Lokalizacja elementów sterowania

- 1 - Preset - / folder + / przycisk + 10
- 2 - Przycisk Głośność -
- 3 - Przycisk Preset + / zatrzymania;
- 4 - Przycisk Głośność +;
- 5 - Uchwyt;
- 6 - Przycisk trybu gotowości;
- 7 - Pokrywa napędu CD;
- 8 - Antena FM;
- 9 - Przycisk wyboru źródła dźwięku;
- 10 - Przycisk strojenia Tune +/- i poprzedni / następny;
- 11 - Przycisk programowania / zegara / powtórzenia
- 12 - Przycisk odtwarzania / pauzy;
- 13 - Głośnik;
- 14 - USB
- 15 - Wyświetlacz;
- 16 - Wejście zewnętrznego źródła dźwięku;
- 17 - Komora baterii (kabel zasilania ukryty w środku);
- 18 - Pokrywa komory baterii;

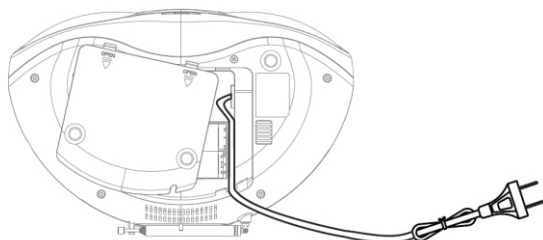
Źródło zasilania i podłączenie

Zasilanie AC: otwórz pokrywę komory baterii i wyjmij z niej kabel zasilający; następnie należy w pełni go rozwinąć i przełożyć przez otwór w pokrywie komory baterii; zamknij pokrywę komory baterii. Włóż wtyczkę przewodu zasilającego do gniazda ściennego AC, aby uzyskać zasilanie, następnie włączy się wyświetlacz. Zasilanie z baterii zostanie automatycznie odłączone, gdy zasilanie sieciowe będzie dostępne.

Zasilanie DC (zasilanie akumulatorowe): otwórz pokrywę komory baterii i włóż 6szt baterii typu UM2 / 1,5V (nie załączone w zestawie) zgodnie z wygrawerowanym dodatnim i ujemnym symbolem polaryzacji. Następnie zamknij komorę baterii.

Uwagi:

- a. Należy pamiętać, że kabel zasilający jest zamocowany i schowany wewnątrz komory baterii.
- b. Dźwięk będzie zniekształcony z powodu wyczerpanej baterii lub niskiego poziomu jej naładowania, wówczas należy wymienić baterie na nowe. Baterie należy składać w sposób przyjazny dla środowiska, należy stosować się do wymagań lokalnych władz.
- c. Nie należy instalować baterii różnych producentów; aby uniknąć wycieku cieczy należy wyjąć baterie w przypadku braku używania urządzenia przez dłuższy czas.



Ustawienie zegara

Gdy po podłączeniu zasilania wyświetlacz jest włączony, oznacza to, że urządzenie jest w trybie gotowości do pracy. Naciśnij i przytrzymaj przycisk ustawiania zegara 2 sekundy, cyfry godzin zaczną migać na wyświetlaczu; krótko naciśnij przycisk Tune +/-, aby dostosować godziny; ponownie krótko naciśnij przycisk ustawiania zegara, aby potwierdzić wybór i przejść do ustawiania minut; ustaw minuty za pomocą przycisku Tune +/- i krótko naciśnij przycisk ustawiania zegara, aby zakończyć ustawianie czasu.

Uwagi:

- Obsługiwany jest tylko format 24-godzinny.
- Zegar dostępny jest tylko w przypadku zasilania AC lub DC. Proszę ponownie ustawić czas zegara w przypadku przerwania zasilania.
- Po 5 sekundach w trybie odtwarzania dźwięku na wyświetlaczu zostanie automatycznie wznowione wyświetlanie zegara.

Obsługa CD

Urządzenie może odtwarzać płyty CD, nagrane w formacie CD / CD-R / CD-RW / MP3. Przed rozpoczęciem odtwarzania sprawdź najpierw format dysku CD i upewnij się, że płyta CD jest czysta i nie uszkodzona.

Odtwarzanie płyty CD: otwórz pokrywę napędu CD i załaduj płytę CD, a następnie zamknij pokrywę. Naciśnij przycisk trybu gotowości, aby włączyć urządzenie; naciśnij przycisk wyboru źródła, aby włączyć tryb CD; wtedy jednostka odczyta płytę CD i automatycznie ją odtworzy.

W trybie odtwarzania płyt CD naciśnij głośność +/-, aby wyregulować poziom głośności; naciśnij przycisk odtwarzania / pauzy, aby wstrzymać lub wznowić odtwarzanie; naciśnij przycisk zatrzymania aby zatrzymać odtwarzanie; krótko naciśnij przycisk poprzedni lub następny, aby wybrać utwór, naciśnij i przytrzymaj go, aby szybko przewinąć utwór do przodu lub do tyłu; naciśnij przycisk powtarzania, aby powtórzyć jeden utwór / powtórzyć wszystkie / powtórzyć odtwarzanie folderu;

Krótkie naciśnięcie przycisku 10+ umożliwia wybranie odtwarzania co 10 utworu; naciśnij przycisk folder + przez 2 sekundy, aby przełączyć odtwarzanie kolejnego folderu w przypadku gdy dostępne są co najmniej 2 foldery (tylko w przypadku płyt MP3).

Programowanie odtwarzania (do 20 utworów na płycie CD i 99 utworów na płytach MP3):

naciśnij przycisk zatrzymania, aby zatrzymać odtwarzanie CD; naciśnij przycisk programowania, aby rozpocząć programowanie; na wyświetlaczu pojawi się "P01" i "PROG"; naciśnij poprzedni lub następny przycisk, aby przełączyć i wybrać utwór, który chcesz zaprogramować, a następnie naciśnij przycisk programowania, aby potwierdzić wybór; utwór zostanie zapisany jako P01. Powtarzaj czynność, aż na wyświetlaczu pojawi się "P20" lub "P99", co oznacza, że zaprogramowana pamięć jest zapełniona. Naciśnij przycisk odtwarzania / pauzy, aby odtworzyć zaprogramowane utwory; otwórz pokrywę napędu CD lub naciśnij dwukrotnie przycisk zatrzymania, aby anulować i usunąć zaprogramowane ustawienia odtwarzania.

Obsługa radia FM

Przed rozpoczęciem obsługi radia należy w pełni wysunąć antenę FM i spróbować umieścić urządzenie obok okna w celu uzyskania lepszego odbioru sygnału.

Skanowanie i automatyczne skanowanie: naciskaj przycisk strojenia Tune +/-, aby stopniowo dostroić częstotliwość FM, naciśnij i przytrzymaj przez 2 sekundy, aby automatycznie przeszukiwać dostępną stację w górę lub w dół pasma; naciśnij i przytrzymaj przycisk programowania 2 sekundy, aby automatycznie zeskanować i zapisać dostępne stacje (maksymalna ilość zaprogramowanych stacji wynosi 40). Naciśnij przycisk Preset +/-, aby wybrać lub zmienić zaprogramowaną w trybie automatycznym stację.

Ręczne programowanie stacji: Po dostrojeniu do ulubionej stacji za pomocą przycisku strojenia Tune +/- naciśnij najpierw przycisk programowania; a następnie naciśnij przycisk poprzedni lub następny, aby wybrać żądany numer, pod którym chcesz zapisać bieżącą stację, następnie naciśnij przycisk programowania, aby potwierdzić wybór. Powtarzaj powyższe czynności w celu zapamiętania pozostałych stacji.

Obsługa odtwarzania USB

Przed rozpoczęciem operacji odtwarzania plików USB należy skopiować plik audio MP3 do pamięci USB (obsługiwane urządzenia o maksymalnej pojemności do 32 GB), a następnie prawidłowo umieścić pamięć USB w gnieździe USB. Włącz urządzenie i naciśnij kilkakrotnie przycisk wyboru źródła, aby wejść w tryb USB, urządzenie automatycznie zdekoduje plik audio i uruchomi jego odtwarzanie.

W trybie USB naciśnij przycisk odtwarzania / pauzy, aby wstrzymać lub wznowić odtwarzanie; naciśnij przycisk zatrzymania, aby zatrzymać odtwarzanie; krótko naciśnij przycisk poprzedni lub następny, aby wybrać utwór, naciśnij i przytrzymaj go, aby szybko przewinąć utwór do przodu lub do tyłu; Naciśnij przycisk powtarzania, aby powtórzyć jeden utwór/ powtórzyć wszystkie utwory / powtórzyć odtwarzanie folderu; krótko naciśnij przycisk 10+, aby przełączyć odtwarzanie o kolejnych 10 ścieżkach, naciśnij przycisk folder + przez 2 sekundy, aby przełączyć odtwarzanie kolejnego folderu w przypadku gdy dostępne są co najmniej 2 foldery.

Uwaga:

- a. Użycie przedłużacza do podłączenia urządzenia USB nie jest zalecane, ponieważ może powodować zakłócenia podczas odtwarzania
- b. Nie gwarantuje się, że wszystkie urządzenia USB będą obsługiwane ze względu na różne konstrukcje i producentów.
- c. Nie gwarantuje się, że wszystkie pliki MP3 będą odtwarzane prawidłowo.

Obsługa trybu AUX IN / Wejścia liniowego/ MP3 Link

Za pomocą przewodu audio 3,5 mm połącz gniazdo LINE IN na panelu tylnym urządzenia z wyjściem sygnału audio z zewnętrznego odtwarzacza (np. Odtwarzacza MP3 itp.). Włącz urządzenie i wciśnij przycisk wyboru źródła, aby wejść do trybu LINE IN; Wybierz i odtwarzaj muzykę z odtwarzacza zewnętrznego a dźwięk zostanie odtworzony za pomocą głośników niniejszego urządzenia. Należy zwrócić uwagę, że główne sterowanie odbywa się za pomocą odtwarzacza zewnętrznego, a w niniejszym urządzeniu można wyregulować poziom głośności.

Specyfikacja

Źródło zasilania: AC 230V / 50Hz;

Zasilanie DC 9V (6 szt. x UM2, 1.5V, brak baterii w zestawie);

Częstotliwość FM: 87,5 ~ 108,0 MHz;

Moc wyjściowa RMS: 2 x 1Watt;

Napięcie wyjściowe USB: 5V / 100Ma;

Parametry portu USB: obsługa pamięci do 32 GB, pliki audio MP3;

Optyka napędu CD: 3 wiązki laserowe półprzewodnikowe;

Pobór mocy: 12W

Pobór mocy w trybie gotowości: <1W

(powyższa specyfikacja może ulec zmianie bez wcześniejszego powiadomienia)

Rozwiązywanie problemów

1. Nie można włączyć urządzenia.

- a. Sprawdź, czy zasilanie DC zostało poprawnie podłączone.
- b. Skontaktuj się z centrum serwisowym w razie problemów.

2. Stacja radiowa brzmi źle.

- a. Proszę przesunąć urządzenie obok okna lub wyregulować kierunek anteny, aby uzyskać lepszy odbiór.
- b. Spróbuj przełączyć się na inną stację.
- c. Skontaktuj się z centrum serwisowym w razie problemów.

3. Urządzenie nie może odczytać dysku CD lub pamięci USB.

- a. Proszę sprawdzić czy dysk CD lub plik audio jest poprawny.
- b. Skontaktuj się z centrum serwisowym w razie problemów.

DŮLEŽITÉ BEZPEČNOSTNÍ POKYNY



CAUTION



NEBEZPEČÍ ÚRAZU ELEKTRICKÝM
PROUDEM NEOTVÍREJTE

CZECH

Důležité bezpečnostní pokyny

Upozornění:

Pro snížení rizika úrazu elektrickým proudem nezasahujte do vnitřních částí přístroje a neodstraňujte jeho kryt. V případě poruchy svěřte servis produktu autorizovanému servisu.

Vysvětlení grafických symbolů:



Symbol blesku v trojúhelníku označuje neizolovaný materiál v jednotce, který může způsobit úraz elektrickým proudem. Pro bezpečnost všech ve vaší domácnosti, prosím, neodstraňujte kryt výrobku.



Symbol vykřičníku v trojúhelníku upozorňuje na funkce, o kterých byste si měli pozorně přečíst příložené informace, abyste zabránili potížím s provozem a údržbou zařízení.

K dosažení vaší nejvyšší spokojenosti a radosti z používání našeho produktu, přečtěte si prosím nejdříve pečlivě tento návod a seznamte se s jeho funkcemi před tím, než jej začnete používat. To vám zajistí léta bezproblémového výkonu produktu a požitek z hudby.

Důležitá upozornění

- Tyto bezpečnostní a provozní pokyny uchovejte pro budoucí použití.
- Přístroj nesmí být vystaven vodě a umístěn ve vlhkém prostředí (např. v koupelně).
- Výrobek by neměl být umístěn:
 - na místech vystavených přímému slunečnímu záření nebo v blízkosti topných těles.
 - na jiných stereofonních zařízeních, která vyzařují příliš tepla.
 - na místech, kde by bylo zamezeno ochlazování přístroje pomocí jeho ventilátoru nebo v prašném prostředí.
 - na místech, která konstantně vibrují.
 - na vlhkých a mokrých prostorech.
- v blízkosti zapálených svíček nebo jiných zdrojů otevřeného ohně.
- Výrobek používejte pouze podle pokynů v této příručce.
- Před prvním zapnutím přístroje se ujistěte, že je napájecí kabel správně připojen.
- Přes USB propojujte přímo, nebo použijte USB-prodlužovací kabel, který není delší než 25 cm.

Z bezpečnostních důvodů neodstraňujte žádné kryty ani se nepokoušejte získat přístup k vnitřku výrobku. Nepokoušejte se odstranit šroubky, nebo otevírat kryt jednotky. Servis produktu a veškeré opravy vždy svěřte autorizovanému servisu a jeho kvalifikovanému personálu.

BEZPEČNOSTNÍ POKYNY

1. Čtete pokyny – před uvedením přístroje do provozu si přečtete veškeré bezpečnostní a provozní pokyny a návod k obsluze.
2. Uchovejte návod k obsluze – tento návod k obsluze uschovejte pro budoucí použití.
3. Dbejte varování – všechna varování na produktu a v návodu k obsluze je třeba dodržovat.
4. Postupujte podle pokynů – pokyny pro provoz a bezpečnostní pokyny je třeba dodržovat.
5. Instalace – instalujte výrobek v souladu s pokyny výrobce.
6. Napájecí zdroje – tento produkt napájejte pouze z druhu zdroje, který je uveden na napájecím kabelu. Pokud si nejste jistí, jaký typ napájení máte doma, obraťte se na svého prodejce výrobků nebo místní energetickou společnost.
7. Uzemnění nebo polarizace – výrobek nemusí být uzemněn. Ujistěte se, že zástrčka napájecího kabelu je zcela zasunuta do elektrické zásuvky nebo do prodlužovacího kabelu tak, aby bylo zamezeno vzniku přechodového odporu a tím možného rizika vzniku požáru. Používáte-li prodlužovací napájecí kabel nebo neoriginální napájecí kabel od jiného výrobce, než který je dodáván jako součást balení s výrobkem, musí být tento neoriginální kabel vybaven příslušnými kontakty pro propojení s výrobkem a musí mít bezpečnostní schválení pro použití v dané zemi.
8. Ochrana napájecího kabelu – napájecí kabely by měly být vedeny tak, aby nebyly přehnuty, stačeny předměty umístěnými na nebo proti nim, po napájecím kabelu by nemělo být chozeno. Před těmito nežádoucími vlivy chraňte zejména konektory kabelů na zapojení do zásuvky a pro napojení s produktem.
9. Přetížení – nepřetěžujte elektrické zásuvky, prodlužovací kabely nebo vícenásobné zásuvky, následkem takového přetěžování je zvýšené riziko požáru nebo úrazu elektrickým proudem.
10. Větrání – výrobek musí být umístěn na řádně větrané místo. Nepokládejte výrobek na postel, pohovku, nebo jiný podobný povrch. Nezakrývejte výrobek věcmi, jako jsou ubrusy, noviny, apod.
11. Teplo – tento produkt by neměl být umístěn v blízkosti zdrojů tepla, jako jsou radiátory, regulátory tepla, kamna, zesilovače a jiná zařízení, která produkují teplo. Na přístroji nesmí být umístěn žádný zdroj otevřeného ohně, například zapálené svíčky.
12. Voda a vlhkost – pro snížení rizika požáru nebo úrazu elektrickým proudem, nevystavujte výrobek kapající, stříkající nebo tekoucí vodě a nadměrné vlhkosti, např. v sauně či koupelně. Nepoužívejte tento výrobek v blízkosti vody, například u vany, umyvadla, dřezu, kádě, ve vlhkém sklepě, v blízkosti bazénu apod.
13. Vniknutí předmětů a tekutin – nikdy nevkládejte jakékoli cizí předměty do otvorů výrobku, mohly by se dotknout míst pod vysokým napětím nebo by mohly způsobit zkrat, což může vést k požáru nebo úrazu elektrickým proudem. Nikdy nelijte jakoukoli tekutinu jakéhokoliv druhu na výrobek ani do výrobku.

Neumísťujte jakýkoli předmět obsahující tekutinu na povrch výrobku (např. váza, sklenička s vodou apod.).

14. Čištění – před čištěním odpojte výrobek z elektrické zásuvky. Prach z přístroje odstraňujte suchým hadříkem. Chcete-li používat aerosolové čisticí spreje, nestříkejte přímo na výrobek; nastříkejte čisticí prostředek na hadřík a poté aplikujte. Dávejte pozor, aby nedošlo k poškození hrací jednotky.
15. Příslušenství – nepoužívejte neoriginální příslušenství, které není doporučeno výrobcem produktu, neoriginální příslušenství může ohrozit bezpečné používání a funkci výrobku.
16. Umístění – neumísťujte výrobek na nestabilní vozík, stojan, trojnožku, konzolu nebo stolek. Výrobek může spadnout a způsobit vážné zranění dětem nebo dospělým a může dojít k vážnému poškození výrobku. Používejte pouze se stabilním vozíkem, stojanem, trojnožkou, držákem nebo stolem, nebo zařízením doporučeným výrobcem nebo prodáváním spolu s výrobkem. Pokud je nutná jakákoliv montáž výrobku, řiďte se pokyny výrobce a používejte pouze montážní příslušenství doporučené výrobcem.
17. Manipulace s produktem – při přemísťování produktu na vozíku je nutno dodržovat opatrnost. Prudká změna směru, prudké zastavení, vysoká rychlost nebo nerovný povrch mohou způsobit převrnutí vozíku a tím případné poškození produktu.
18. Období nepoužívání – pokud je zařízení delší dobu nepoužíváno musí být napájecí kabel přístroje odpojen z elektrické zásuvky. Odpojte napájecí kabel z elektrické zásuvky během bouřky.
19. Servis – nepokoušejte se o servis nebo o opravu tohoto přístroje svépomocí, otevření nebo odstranění krytů přístroje vás může vystavit nebezpečí úrazu elektrickým proudem nebo jinému nebezpečí. Veškeré opravy přístroje svěřte kvalifikovanému servisnímu personálu autorizovaného servisu.
20. Prosím, pokud není v provozu, odpojte napájecí kabel z hlavního zdroje energie nebo z elektrické zásuvky ve zdi. Ve chvíli, kdy je napájecí kabel zapojen ke zdroji elektrické energie, je systém v pohotovostním režimu, to znamená, že přístroj není zcela vypnutý a proudí do něj elektrická energie.
21. Náhradní díly – pokud jsou potřeba náhradní díly, ujistěte se, že servisní technik použil náhradní díly, které jsou specifikované výrobcem nebo mají stejné vlastnosti jako originální díly. Neoprávněná výměna může vést k požáru, úrazu elektrickým proudem nebo způsobit jiné nebezpečí.
22. Sítové pojistky – pro trvalou ochranu proti požáru, používejte pouze správný typ pojistek. Správná specifikace pojistek je pro každý rozsah napětí vyznačena na výrobku.
23. Nezvyšujte příliš hlasitost při poslechu pasáží s velmi nízkou úrovní hlasitosti nebo při náhlé úplné absenci zvuku. Pokud tak učiníte, může ve chvíli opětovného zvýšení úrovně hlasitosti přehrávané pasáže dojít k poškození reproduktorů.
24. Pokud chcete přístroj úplně odpojit od napájení, musíte odpojit napájecí kabel od přístroje nebo od elektrické zásuvky. Elektrická zásuvka nebo a vstup pro napájecí kabel k výrobku musí zůstat volně přístupné po celou dobu používání přístroje v provozu.
25. Je vhodné umístit produkt do blízkosti elektrické zásuvky nebo prodlužovačky, které musí být snadno přístupné.
26. Nejvyšší teplota prostředí vhodná pro tento výrobek je 35 °C.

27. ESD tip – Pokud dojde k vyresetování přístroje nebo není obnoven jeho provoz z důvodu elektrostatického výboje, je třeba výrobek vypnout, odpojit napájecí kabel a pak jej znovu připojit, případně přesunout přístroj na jiné místo.

28. Baterie

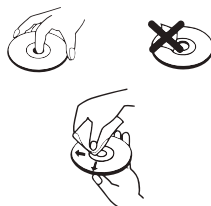
1. Baterie nesmí být vystaveny nadměrnému teplu, jako například působení přímého slunečního světla, ohně a podobně.
2. Používané baterie by měly být vhodné pro ekologickou likvidaci baterií.
3. **UPOZORNĚNÍ pro používání baterií** – pro zamezení úniku elektrolytu z baterie, který může způsobit poranění, poškození majetku nebo přístroje:
 - Všechny baterie nainstalujte správně, + a - jak je vyznačeno na přístroji.
 - Nekombinujte baterie (staré a nové nebo uhlíkové a alkalické apod.)
 - Pokud nebudete přístroj delší dobu požívat, vyjměte baterie ven.

VAROVÁNÍ

Tento spotřebič není určen pro používání osobami (včetně dětí) se sníženými fyzickými, smyslovými nebo duševními schopnostmi, nebo osobami bez patřičných zkušeností a znalostí, pokud jim nebyl poskytnut dohled nebo instrukce týkající se použití spotřebiče osobou zodpovědnou za jejich bezpečnost. Děti by měly být pod dozorem, aby se zajistilo, že si se spotřebičem nebudou hrát.

1. Nikdy nenechávejte zapnutý přístroj bez dozoru! Vypněte přístroj vždy, kdy jej nepoužíváte, byť jen na krátkou dobu.
2. Spotřebič není určen pro provoz prostřednictvím externího časovače nebo samostatného dálkového ovládání.
3. Je-li napájecí kabel poškozen, musí být nahrazen výrobcem, jeho servisním zástupcem (autorizovaným servisem) nebo obdobně kvalifikovanými pracovníky, aby se předešlo nebezpečí.
4. Před použitím tohoto systému zkontrolujte napětí, abyste se ujistili, že je totožné s napětím vaší místní elektrické sítě.
5. Přístroj nesmí mít zakryté větracích otvorů předměty, jako jsou noviny, ubrusy, záclony, atd. Ujistěte se, že nad přístrojem je nejméně 20 cm volného prostoru a kolem něj z každé strany nejméně 5 cm volného prostoru.
6. Přístroj nesmí být vystaven tekoucí, kapající nebo stříkající vodě. Předměty naplněné kapalinami, jako jsou např. vázy, nesmí být umístěny na přístroji.
7. Aby nedošlo k požáru nebo úrazu elektrickým proudem, neumísťujte toto zařízení na horkých místech, nevystavujte ho dešti, vlhkosti nebo prachu.
8. Neumisťujte tento přístroj v blízkosti jakýchkoliv zdrojů vody, např. kohouty, vany, pračky nebo bazény. Ujistěte se, že je přístroj umístěn na suchém, stabilním povrchu.
9. Neumisťujte tento přístroj v blízkosti silného magnetického pole.
10. Nepokládejte přístroj na zesilovače nebo přijímače.
11. Neumisťujte tento přístroj na vlhkém prostředí, vlhkost bude mít vliv na životnost elektrických komponent.
12. Pokud systém bezprostředně přemístíte z chladného do teplého prostředí, nebo pokud je umístěn ve velmi vlhké místnosti, může dojít ke kondenzaci vlhkosti uvnitř přehrávače. Pokud

13. k tomu dojde, systém může být poškozen a nebude fungovat správně. Prosím, nechte systém zapnutý přibližně po dobu jedné hodiny, dokud se vlhkost neodpaří.
13. Nečistěte jednotku chemickými rozpouštědly, ta mohou poškodit povrch zařízení. Přístroj otřete čistým, suchým nebo lehce navlhčeným hadříkem.
14. Při odpojování napájecího kabelu ze zásuvky, tahejte přímo za zástrčku, nikdy ne za kabel.
15. Pokud je přístroj zapnut v blízkosti televizoru, může vlivem působení elektromagnetických vln dojít k ovlivnění funkčnosti obou zařízení. Na televizní obrazovce se mohou objevit čáry, rozpadat obraz, může být ovlivněn zvuk televizoru i přístroje, případně může být jak televizor, tak přístroj zcela nefunkční. Tomu zamezíte umístěním přístroje v dostatečné vzdálenosti od televizoru.
16. Síťová zástrčka je používána jako odpojovací zařízení, odpojovací zařízení musí být vždy připraveno k použití.
17. Chcete-li zachovat čtečku disků s laserovým paprskem v čistotě, nedotýkejte se jí, a vždy zavírejte zásuvku disku.
18. Během přehrávání se disk otáčí vysokou rychlostí. NEZVEDEJTE a nepřesouvejte jednotku během přehrávání, mohlo by dojít k poškození disku nebo jednotky.
19. Pokud budete zařízení přemísťovat nebo s ním manipulovat, vyjměte disk z přehrávače a vraťte zásuvku disku do uzavřené polohy. Poté stiskněte spínač pro vypnutí napájení a odpojte napájecí kabel. Stěhování přístroje s vloženým diskem, může způsobit poškození tohoto přístroje nebo disku.
20. Pokud chcete disk přehrát, vložte jej zpět do zásuvky pro disk. Nevystavujte disky přímému slunečnímu světlu ani zdrojům tepla. Nikdy nenechávejte disky v automobilu zaparkovaném na plném slunci.
21. Nedotýkejte se spodní plochy disků se zapsanými daty (skladbami). Držte disk za okraje tak, aby se zabránilo otisku prstů na povrchu disku. Jakýkoliv prach, otisky prstů nebo škrábance mohou způsobit poškození disku. Nikdy na disk nelepte nálepky nebo lepicí pásku.
22. Pro čištění disku použijte čistý měkký hadřík bez vlasu, který není zaprášený. Nepoužívejte k čištění disku ředidla, komerčně dostupné čisticí prostředky nebo antistatické spreje na vinylové desky. Disk čistěte od středu směrem ven ke kraji v přímé lince.
23. Chcete-li zabránit možnému poškození sluchu, neposlouchejte delší dobu hudbu a rádio puštěné příliš nahlas.



VAROVÁNÍ: NEBEZPEČÍ ZÁŘENÍ

CLASS 1 LASER PRODUCT
LUOKAN 1 LASERLAITE
KLASS 1 LASERAPPARAT

Toto označení znamená, že součástí tohoto přístroje je laser. Otevřením víka zásuvky na CD a prolomením bezpečnostních zámků bude uživatel vystaven působení záření laserového paprsku. Nedívejte se do laserového paprsku, pokud je v provozu.

PŘED UVEDENÍM DO PROVOZU

Poznámka: V případě kompaktních disků.

Špinavé, poškozené nebo deformované disky mohou poškodit přístroj, proto je třeba dbát následujících pokynů:

- a. Kompaktní disky, které lze použít. Používejte pouze kompaktní disky s označením uvedeným níže.



- b. Používejte CD kompaktní disky pouze s digitálními zvukovými signály.

POZNÁMKA



Prohlášení o shodě

Blaupunkt Competence Center 2N-Everpol Sp. z o.o. tímto prohlašuje, že je toto zařízení v souladu se základními požadavky a dalšími příslušnými ustanoveními směrnice 2014/53 / EU. Prohlášení o shodě lze získat ze stránky produktu na www.blaupunkt.com.

Odpovědná strana: 2N-Everpol Sp. z o.o, Puławska 403A, 02-801 Varšava, Polsko,
Tel: +48 22 331 99 59, E-mail: info@everpol.pl



Naše produkty jsou navrženy a vyrobeny z vysoce kvalitních materiálů a komponent, které jsou recyklovatelné a znovu použitelné.



Je-li tento symbol přeškrtnutého kontejneru uveden na výrobku, znamená to, že výrobek podléhá směrnici EU 2002/96/ES. Informujte se prosím o místní systém sběru tříděného odpadu pro elektrické a elektronické výrobky. Prosím řiďte se místními pravidly a nelikvidujte staré produkty spolu s běžným komunálním odpadem. Správnou likvidací starého výrobku pomůžete předejít možným negativním dopadům na životní prostředí a lidské zdraví.



Výrobek obsahuje baterie podléhající směrnici EU 2013/56/EU, které nelze vyhazovat do běžného domovního odpadu. Informujte se prosím o místních pravidlech o sběru baterií, neboť správnou likvidací pomůžete předcházet negativním důsledkům pro životní prostředí a lidské zdraví.

Informace týkající se životního prostředí

Výrobek je zabalen pouze v nezbytném obalu pro jeho ochranu. Snahou naší firmy je, aby byl obalový materiál snadno rozdělitelný na tři materiály: lepenku (krabice), polystyrén (ochranné balení) a polyethylen (sáčky, ochranné fólie z lehčeného plastu). Výrobek se skládá z materiálů, které lze recyklovat a znovu použít v případě demontáže odbornou firmou. Dodržujte prosím místní předpisy týkající se likvidace obalových materiálů, vybitých baterií a starého zařízení.

Na nahrávání a přehrávání materiálů může být vyžadován souhlas. Viz Zákon o Copyrightu Act 1956 a Zákon na ochranu umělců Sk 1958-1972.

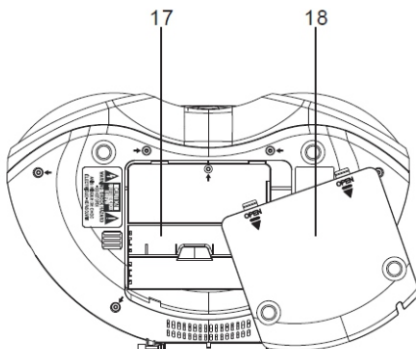
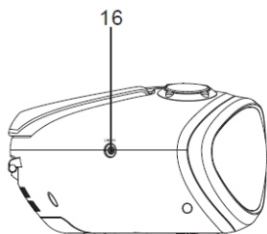
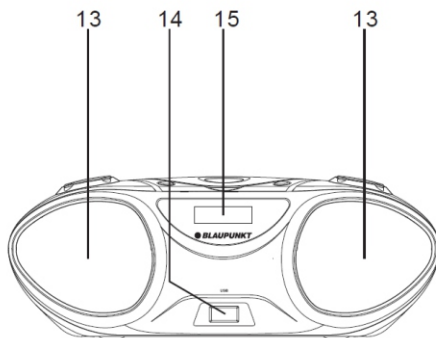
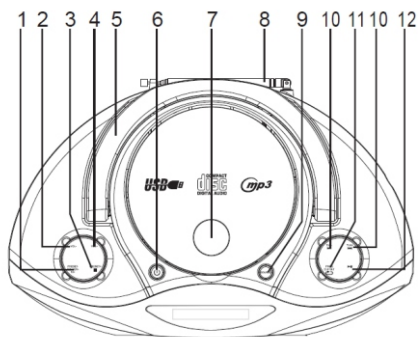
ERP2 - (EnergyRelatedProducts)poznámka

Tento výrobek je ve shodě s ecodesignem a požadavky 2. stupně (EC)1275/2008 provádějící Nařízení EU2009/125/EC ohledně spotřeby elektrické energie elektronických zařízení pro domácnosti a kanceláře v pohotovostním režimu a vypnutém stavu. Přístroj se automaticky přepne do pohotovostního režimu, pokud po dobu 30 minut nepřichází do audio vstupu žádný signál.

Důležité upozornění:

Tento přístroj je vybaven režimem pro úsporu energie: přehrávač se automaticky přepne do pohotovostního režimu, pokud po dobu 30 minut nepřichází do audio vstupu žádný signál (dle ERP2 standardu). Vezměte prosím na vědomí, že nízká hlasitost přicházejícího signálu může být interpretována zařízením jako situace kdy nepřichází žádný audio signál a může dojít k přepnutí do pohotovostního režimu. Pokud tato situace nastane, připojte znovu zdroj zvukového signálu, nebo zvýšte hlasitost zdrojového signálu (mp3 přehrávače, atp.).

Umístění řídicích prvků



Umístění řídicích prvků

- 1 - předvolba - /složka + /tlačítko + 10
- 2- Tlačítko Hlasitost -
- 3- Tlačítko Předvolba + /pozastavení;
- 4- Tlačítko Hlasitost +;
- 5- Držadlo;
- 6- Tlačítko režimu připravenosti;
- 7- Kryt mechaniky CD;
- 8- Anténa FM;
- 9 - Tlačítko výběr zdroje zvuku;
- 10- Tlačítko ladění Tune +/- a předchozí/následující;
- 11- Tlačítko programování/hodiny/opakování
- 12- Tlačítko přehrávání/pauza;
- 13- Reproduktor;
- 14- USB
- 15- Displej;
- 16- Vstup externího zdroje zvuku;
- 17- Prostor pro baterie (napájecí kabel je složen uprostřed);
- 18- Kryt prostoru pro baterie

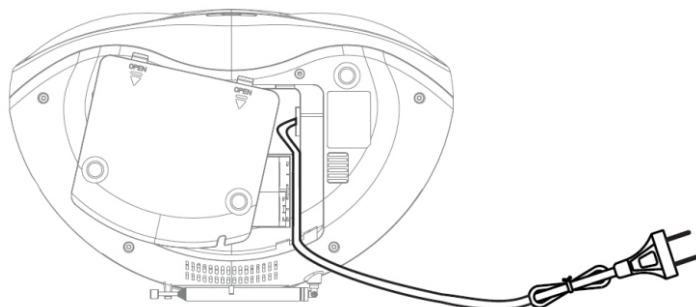
Zdroj napájení a připojení

Napájení AC: Otevřete kryt prostoru pro baterie, vyjměte z něj napájecí kabel; kabel zcela rozvíjíte a provlékněte otvorem v krytu prostoru pro baterie; prostor pro baterie krytem opět uzavřete. Zasuňte zástrčku napájecího kabelu do síťové zásuvky, jakmile je napájení připojeno, rozsvítí se displej. Při zapojení síťového napájení se napájení z baterií automaticky odpojí.

Napájení DC (akumulátorové napájení): otevřete kryt prostoru pro baterie a vložte 6 ks baterií typu UM2/1,5V (nespojených v sestavě) podle vygravírovaného symbolu kladného a záporného pólu. Prostor pro baterie uzavřete.

Poznámky:

- a. Upozorňujeme, že, že napájecí kabel je upevněný a uložený uvnitř bateriového prostoru.
- b. Jsou- li baterie téměř vybité nebo úroveň jejich nabití je nízká, bude zvuk zkeslený, je třeba baterie vyměnit. Vybité baterie je třeba odkládat způsobem šetrným k životnímu prostředí, je třeba se řídit nařízením orgánů místní správy.
- c. Neinstalujte baterie od různých výrobců, při delší přestávce v používání baterie vyjměte, zamezíte tak výtok elektrolytu z baterií.



Nastavení hodin

Je-li po zapojení napájecího kabelu do sítě displej zapnutý, znamená to, že zařízení je v režimu připravenosti k práci. Stiskněte a přidržte tlačítko Nastavení hodin po dobu 2 sekund, číslice hodin začnou na displeji blikat; pro nastavení správného času krátce stiskněte tlačítko Tune +/-; znovu krátce stiskněte tlačítko Nastavení hodin, tím nastavení potvrdíte a přejdete do nastavení minut; minuty nastavíte tlačítkem Tune +/- a po správném nastavení ukončíte nastavování času krátkým stiskem tlačítka Nastavení hodin.

Poznámky:

- Podporovaný je pouze časový formát 24 hodin.
- Hodiny jsou dostupné pouze v případě napájení AC nebo DC. V případě výpadku napájení je třeba znovu hodiny nastavit.
- Po 5 sekundách v režimu přehrávání zvuku se na displeji automaticky obnoví zobrazování hodin.

Pokyny pro přehrávání CD

Zařízení může přehrávat CD nahrané ve formátu CD / CD-R / CD-RW / MP3. Před přehráváním formát nejprve formát CD zkontrolujte a přesvědčte se, že CD je čisté a nepoškozené.

Přehrávání CD: otevřete kryt mechaniky CD, vložte disk a kryt zavřete. Pro zapnutí zařízení stiskněte tlačítko režimu připravenosti, stiskněte tlačítko Výběr zdroje, mechanika načte CD a automaticky začne CD přehrávat.

Pro regulaci hlasitosti v režimu přehrávání CD stiskněte tlačítko Hlasitost +/-; pro pozastavení nebo obnovení přehrávání stiskněte tlačítko Přehrávání/pauza; pro výběr skladby stiskněte tlačítko Pozastavení; krátkým stiskem tlačítka Předchozí nebo následující vyberte skladbu, stiskněte a krátce přidržte, aby se skladba rychle převinula dopředu nebo dozadu; stiskněte tlačítko opakování pro opakování jedné skladby/opakovat všechny/ opakovat otevření složky; Krátké stisknutí tlačítka 10+ umožní vybrat přehrávání vždy 10 skladeb; stisknutím tlačítka Složka + po dobu více než 2 sekundy přejdete na přehrávání další složky v případě, kdy jsou dostupné alespoň dvě složky (pouze u desek MP3).

Programování přehrávání (do 20 skladeb na CD a 99 skladeb na deskách MP3): pro pozastavení přehrávaného CD stiskněte tlačítko Pozastavení; stiskněte tlačítko Programování, na displeji se objeví znaky "P01" a "PROG"; pro výběr skladby, kterou chcete naprogramovat, stiskněte tlačítko Předchozí nebo následující a dále stiskněte tlačítko Programování, tím potvrdíte výběr a skladba bude uložena jako P01. Opakujte tak dlouho, dokud se na displeji neobjeví "P20" nebo "P99", což znamená, že naprogramovaná paměť je plná. Stiskněte tlačítko Přehrávání/pauza, budete tak přehrávat naprogramované skladby; otevřením krytu mechaniky CD nebo dvojitým stiskem tlačítka Pozastavení anulujete a odstraníte naprogramované přehrávání.

Rádio FM

Než začnete používat rádio, zcela vysuňte anténu FM a vyzkoušejte její umístění v blízkosti okna tak, abyste získali co nejlepší signál.

Skenování a automatické skenování: pro stupňovité doladění frekvence FM stiskněte tlačítko ladění Tune +/-, stiskněte a přidržte 2 sekundy a budete tak automaticky prohledávat dostupnou stanici v daném pásmu směrem nahoru a dolů; stiskněte a 2 sekundy přidržte tlačítko Programování a budete automaticky skenovat a zapisovat dostupné stanice (max. počet naprogramovaných stanic je 40). Pro výběr nebo změnu naprogramování stanic v automatickém režimu stiskněte tlačítko Předvolba +/-.

Ruční programování stanic: Po nastavení oblíbené stanice tlačítkem Tune +/- nejprve stiskněte tlačítko programování a potom tlačítko Předchozí/následující, zvolíte tak požadované číslo, pod kterým chcete zvolenou stanicí uložit, potom stiskněte tlačítko Programování a tím nastavení potvrdíte. Pro uložení zbývajících stanic výše uvedené činnosti opakujte.

Pokyny pro přehrávání USB

Před zahájením operací přehrávání souborů USB je třeba zkopírovat soubor audio MP3 do paměti USB (podpora zařízení do max. objemu dat do 32 GB) a potom správně paměť USB umístit do portu USB. Pro vstup do režimu USB zařízení zapojte a několikrát stiskněte tlačítko Výběr zdroje, zařízení automaticky rozezná audio soubor a spustí jeho přehrávání.

V režimu USB stiskněte tlačítko Přehrávání/pauza, pozastavíte tak nebo obnovíte přehrávání; pro výběr skladby stiskněte tlačítko Pozastavení; krátce stiskněte tlačítko Předchozí nebo následující, po vybrání skladby stiskněte a krátce přidržte toto tlačítko, aby se skladba rychle převinula dopředu nebo dozadu; Stiskněte tlačítko opakování pro opakování jedné skladby/opakovat všechny/ opakovat otevření složky;

krátké stisknutí tlačítka 10+ umožní vybrat přehrávání vždy 10 skladeb; stisknutím tlačítka Složka + po dobu více než 2 sekundy přejdete na přehrávání další složky v případě, kdy jsou dostupné alespoň dvě složky.

Poznámka:

- Použití prodlužovacího kabelu k zapojení zařízení USB se nedoporučuje, protože může dojít k přerušení přehrávání
- Vzhledem k různým konstrukcím a různým výrobcům se nezaručuje, že budou podporována všechna zařízení USB.
- Nezaručuje se, že všechny soubory MP3 se budou přehrávat správně.

Pokyny pro použití vstupu AUX IN / Line In / MP3

Audío kabelem 3,5 mm spojte konektor LINE IN na zadním panelu s výstupem audio signálu z externího přehrávače (např. přehrávače MP3 atd.). Zapojte zařízení a stiskněte tlačítko Výběr zdroje pro vstup do režimu LINE IN; Vyberte a přehrávejte hudbu z externího přehrávače, zvuk se bude přehrávat reproduktory tohoto místního zařízení. Upozorňujeme, že hlavní regulace se provádí v externím přehrávači, v tomto zařízení můžeme regulovat úroveň hlasitosti.

Specifikace

Zdroj napájení: AC 230V / 50Hz;

Napájení DC 9V (6 ks x UM2, 1.5V, baterie nejsou v sestavě);

Frekvence FM: 87,5 ~ 108,0 MHz;

Výstupní výkon RMS: 2 x 1 Watt;

Výstupní napětí USB: 5V/100 mA;

Parametry portu USB: podpora paměti do 32 GB, soubory audio MP3;

Optika mechaniky CD: 3 polovodičové laserové paprsky

Spotřeba energie: 12W

Spotřeba energie v režimu připravenosti: <1 W

(ve výše uvedené specifikaci může dojít ke změnám bez předchozího oznámení)

Řešení problémů

1. Zařízení nejde zapnout.

- a. Zkontrolujte, zda napájení DC je správně zapojené
- b. V případě problémů kontaktujte servisní centrum.

2. Rozhlasová stanice má špatný zvuk.

- a. Přesuňte zařízení blízko k oknu nebo upravte směr antény tak, abyste získali lepší příjem.
- b. Zkuste přeladit na jinou stanici.
- c. V případě problémů kontaktujte servisní centrum.

3. Zařízení nemůže načíst CD nebo paměť USB.

- a. Zkontrolujte, zda je CD nebo soubor audio v pořádku.
- b. V případě problémů kontaktujte servisní centrum.

DÔLEŽITÉ BEZPEČNOSTNÉ POKYNY



CAUTION



NEBEZPEČIE ÚRAZU ELEKTRICKÝM PRÚDOM
NEOTVÁRAJTE

Dôležité bezpečnostné pokyny

Upozornenie:

Pre zníženie rizika úrazu elektrickým prúdom nezasahujte do vnútorných častí prístroja a neodstraňujte jeho kryt. V prípade poruchy zverte servis produktu autorizovanému servisu.

Vysvetlenie grafických symbolov:



Symbol blesku v trojuholníku označuje neizolovaný materiál v jednotke, ktorý môže spôsobiť úraz elektrickým prúdom. Kvôli bezpečnosti všetkých v domácnosti, prosím neodstraňujte kryt výrobku.



Symbol výkričníku v trojuholníku upozorňuje na funkcie, o ktorých by ste si mali pozorne prečítať priložené informácie, aby ste zabránili problémom s prevádzkou a údržbou zariadenia.

K dosiahnutiu vašej najvyššej spokojnosti a radosti z používania nášho produktu, prečítajte si prosím najskôr pozorne tento návod a zoznámte sa s jeho funkciami pred tým, ako ho začnete používať. To vám zaisťí roky bezproblémového výkonu produktu a pôžitok z hudby.

DÔLEŽITÉ UPOZORNENIA

- Tieto bezpečnostné a prevádzkové pokyny uchovajte pre budúce použitia.
- Prístroj nesmie byť vystavený vode a umiestnený vo vlhkom prostredí (napr. v kúpeľni).
- Výrobok nesmie byť umiestnený:
 - na miestach vystavených priamemu slnečnému žiareniu alebo v blízkosti kúrenia.
 - na iných stereofónnych zariadeniach, ktoré vyžarujú príliš tepla
 - na miestach, kde by bolo obmedzené chladenie prístroja pomocou jeho ventilátora alebo v prašnom prostredí
 - na miestach, ktoré konštantne vibrujú.
 - vo vlhkých a mokrych priestoroch.
 - v blízkosti zapálených sviečok alebo iných zdrojoch otvoreného ohňa.
- Výrobok používajte iba podľa pokynov v tejto príručke. Cez USB prepojujte priamo, alebo použite USB - predlžovací kábel, ktorý nie je dlhší ako 25 cm.

Z bezpečnostných dôvodov neodstraňujte žiadne kryty ani sa nepokúšajte získať prístup k vnútrajšku výrobku. Nepokúšajte sa odstrániť skrutky alebo otvárať kryt jednotky. Servis

produktu a všetky opravy vždy zverte autorizovanému servisu a jeho kvalifikovanému personálu.

BEZPEČNOSTNÉ POK

1. Prečítajte si pozorne – pred uvedením prístroja do prevádzky si prečítajte všetky bezpečnostné a prevádzkové pokyny a návod k použitiu.
2. Schovajte si návod k obsluhu - tento návod k obsluhu uschovajte pre budúce použitie.
3. Dbajte na varovania – všetky varovania na produkte a v návode k použitiu je treba dodržiavať
4. Postupujte podľa pokynov – pokyny pre prevádzku a bezpečnostné pokyny je treba dodržiavať.
5. Inštalácia – inštalujte výrobok v súlade s pokynmi výrobcu.
6. Napájacie zdroje – tento produkt napájajte iba zo zdroja zdroje, ktorý je uvedený na napájacom káble. Ak si nie ste istí, aký typ napájania máte doma, obráťte sa na svojho predajcu výrobkov alebo na miestnu energetickú spoločnosť.
7. Uzemnenie a polarizácia – výrobok nemusí byť uzemnený. Uistite sa, že zástrčka napájacieho káblu je presne zasunutá do elektrickej zásuvky alebo do predlžovacieho káblu tak, aby bolo zamedzené vzniku prechodného odporu a tým pádom možného rizika vzniku požiaru. Ak používate predlžovací napájací kábel alebo neoriginálny napájací kábel od iného výrobcu, než ktorý je dodávaný ako súčasť balenia s výrobkom, musí byť tento neoriginálny kábel vybavený príslušnými kontaktmi pre prepojenie s výrobkom a musí mať bezpečnostné schválenie pre použitie v danej zemi.
8. Ochrana napájacieho káblu – napájacie káble by mali byť vedené tak, aby neboli pretrhnuté, otočené okolo predmetov okolo nich alebo proti nim, po napájacom káble nie je doporučené chodiť. Pred týmito nežiaducimi vplyvmi chráňte hlavne konektory káblov k zapojeniu do zásuvky a pre napojenie s produktom.
9. Preťaženie – nepreťažujte elektrické zásuvky, predlžovacie káble či viacnásobné zásuvky, následkom takéhoto preťažovania je zvýšené riziko požiaru či úrazu elektrickým prúdom.
10. Vetranie – výrobok musí byť umiestnený na vetrané miesto. Nepokladajte výrobok na posteľ, pohovku alebo iný podobný povrch. Nezakrývajte výrobok vecami, ako obrusmi, novinami apod.
11. Teplo – tento produkt by nemal byť umiestnený v blízkosti zdrojov tepla, ako sú radiátory, regulátory tepla, pece, zosilňovače a iné zariadenia, ktoré produkujú teplo. Na prístroji nesmie byť umiestnený žiadny zdroj otvoreného ohňa, napr. zapálenej sviečky.
12. Voda a vlhkosť – pre zníženie rizika požiaru alebo úrazu elektrickým prúdom, nevystavujte výrobok kvapkajúcej, striekajúcej alebo tečúcej vode a nadmernej vlhkosti, napr. v saune či kúpeľni. Nepoužívajte tento výrobok v blízkosti vody napríklad pri vani, umývadle, dreze, vo vlhkej pivnici, v blízkosti bazénu apod.
13. Vniknutie predmetov a tekutín – nikdy nevkladajte akékoľvek cudzie predmety do otvorov výrobku, mohli by sa dotknúť miest pod vysokým napätím alebo by mohli spôsobiť skrat, čo môže viesť k požiaru alebo úrazu elektrickým prúdom. Nikdy nelejte akúkoľvek tekutinu akéhokoľvek druhu na výrobok alebo do výrobku.

Neumiestňujte akýkoľvek predmet obsahujúci tekutinu na povrch výrobku (napr. váza, pohár s vodou apod.).

14. Čistenie – pred čistením odpojte výrobok z elektrickej zásuvky. Prach z prístroja odstraňujte suchou handričkou. Ak chcete používať aerosolové čistiace spreje, nestriekajte priamo na výrobok; naneste čistiaci prostriedok na handričku a následne aplikujte. Dávajte pozor, aby nedošlo k poškodeniu hracej jednotky.
15. Príslušenstvo – nepoužívajte neoriginálne príslušenstvo, ktoré nie je doporučené výrobcom produktu, neoriginálne príslušenstvo môže ohroziť bezpečné používanie a funkciu výrobku.
16. Umiestnenie – neumiestňujte výrobok na nestabilný vozík, stojan, trojnožku konzolu alebo stolík. Výrobok môže spadnúť s spôsobiť vážne zranenia deťom či dospelým a môže dojsť k vážnemu poškodeniu výrobku. Používajte iba so stabilným vozíkom, stojanom, trojnožkou, držiakom či na stole, alebo zariadením doporučeným výrobcom alebo predávaným spolu s výrobkom. Ak je nutná akákoľvek montáž výrobku, riadte sa pokynmi výrobcu a používajte iba montážne príslušenstvo doporučené výrobcom.
17. Manipulácia s výrobkom – pri premiestňovaní produktu na vozíku je nutné dodržiavať opatrnosť. Prudká zmena smeru, prudké zastavenie, vysoká rýchlosť alebo nerovný povrch môžu spôsobiť prevrátenie vozíku a tým aj prípadné poškodenie produktu.
18. Obdobie nepoužívania – ak nie je zariadenie dlhší čas používané, musí byť napájací kábel prístroja odpojený z elektrickej zásuvky. Odpojte napájací kábel z elektrickej zásuvky počas búrky.
19. Servis – nepokúšajte sa o servis alebo opravu tohto prístroja svojvoľne, otvorenie alebo odstránenie krytov prístroja vás môže vystaviť nebezpečenstvu úrazu elektrickým prúdom alebo inému nebezpečenstvu. Všetky opravy prístroja zverte kvalifikovanému servisnému personálu autorizovaného servisu.
20. Prosím, ak nie je v prevádzke, odpojte napájací kábel z hlavného zdroja energie, alebo z elektrickej zásuvky. Vo chvíli, keď je napájací kábel zapojený do zdroja elektrickej energie, je systém v pohotovostnom režime, to znamená, že prístroj nie je úplne vypnutý a prúdi do neho elektrická energia.
21. Náhradné diely – ak sú potreba náhradné diely, uistite sa, že servisný technik použil náhradné diely, ktoré sú špecifikované výrobcom alebo majú rovnaké vlastnosti ako originálne diely. Neoprávnená výmena môže viesť k požiaru, úrazu elektrickým prúdom alebo spôsobiť iné nebezpečenstvo.
22. Sieťové poistky – pre trvalú ochranu proti požiaru, používajte iba správny typ poistiek. Správna špecifikácia poistiek je pre každý rozsah napätia označená na výrobku.
23. Nezvyšujte príliš hlasitosť pri počúvaní pasáží s veľmi nízkou úrovňou hlasitosti alebo pri náhlej úplnej absencii zvuku. Ak tak učinite, môže vo chvíli opätovného zvýšenia úrovne hlasitosti prehrávanej pasáže dojsť k poškodeniu reproduktorov.
24. Ak chcete prístroj úplne odpojiť od napájania, musíte odpojiť napájací kábel od prístroja alebo z elektrickej zásuvky. Elektrická zásuvka alebo vstup pre napájací kábel k výrobku musia zostať voľne prístupné po celý čas používania prístroja v prevádzke.
25. Je vhodné umiestniť produkt do blízkosti elektrickej zásuvky alebo predlžovačky, ktoré by mali byť ľahko prístupné.



26. Najvyššia teplota prostredia vhodná pre tento výrobok je 35 °C.
27. ESD tip – Ak dôjde k vyresetovaniu prístroja alebo nie je obnovená jeho prevádzka z dôvodu elektrostatického výboja, je potreba výrobok vypnúť, odpojiť napájací kábel a potom ho znovu pripojiť, prípadne presunúť na iné miesto.
28. Batérie
 1. Batérie nesmú byť vystavené nadmernému teplu, ako napríklad pôsobeniu priameho slnečného svetla, ohňa a podobne.
 2. Používané batérie by mali byť vhodné pre ekologickú likvidáciu batérií.
 3. **UPOZORNENIE** pre používanie batérií – proti zamedzeniu úniku elektrolytu z batérie, ktorý môže spôsobiť poranenie, poškodenie majetku alebo prístroja:
 - Všetky batérie nainštalujte správne, + a – ako je vyznačené na prístroji.
 - Nekombinujte batérie (staré a nové alebo uhlíkové a alkalické apod.)
 - Pokiaľ nebudete prístroj dlhší čas používať, vyťahnite ich z prístroja.

VAROVANIE

Tento spotrebič nie je určený pre používanie osobami (vrátane detí) so zníženými fyzickými, zmyslovými alebo duševnými schopnosťami, alebo osobami bez patričných skúseností a vedomostí, pokiaľ im nebol poskytnutý dohľad alebo inštrukcie týkajúce sa použitia spotrebiča osobou zodpovednou za ich bezpečnosť. Deti by mali byť pod dozorom, aby bolo zaistené, že si so spotrebičom nebudú hrať.

1. Nikdy nenechávajte prístroj bez dozoru! Vypnite prístroj vždy, keď ho nepoužívate aj keď iba na krátku chvíľu.
2. Spotrebič nie je určený na prevádzku prostredníctvom externého časovača alebo samostatného diaľkového ovládania.
3. Ak je napájací kábel poškodený, musí byť nahradený výrobcom, jeho servisným zástupcom (autorizovaným servisom) alebo podobne kvalifikovanými pracovníkmi, aby sa predišlo nebezpečenstvu.
4. Pred použitím tohto systému skontrolujte napätie, aby ste sa uistili že je totožné s napätím vašej miestnej elektrickej siete.
5. Prístroj nesmie mať zakryté vetracie otvory predmetmi, ako sú noviny, obrusy, záclony atd. Uistite sa, že nad prístrojom je najmenej 20cm voľného priestoru a okolo neho z každej strany najmenej 5cm voľného priestoru.
6. Prístroj nesmie byť vystavený tečúcej, kvapkajúcej či striekajúcej vode. Predmety naplnené kvapalinou, ako sú napr. vázy, nesmú byť umiestnené na prístroji.
7. Aby nedošlo k požiaru alebo úrazu elektrickým prúdom, neumiestňujte toto zariadenie na horúcich miestach, nevystavujte ho dažďu, vlhkosti alebo prachu.
8. Neumiestňujte tento prístroj v blízkosti akýchkoľvek zdrojov vody, napr. kohútiky, vane, pračky alebo bazény. Uistite sa, že je prístroj umiestnený na suchom, stabilnom povrchu.
9. Neumiestňujte tento prístroj v blízkosti silného magnetického pola.
10. Nepokladajte prístroj na zosilňovače alebo prijímače.
11. Neumiestňujte tento prístroj do vlhkého prostredia, vlhkosť bude mať vplyv na životnosť elektrických komponentov.
12. Ak systém bezprostredne premiestnite z chladného do teplého prostredia, alebo ak je umiestnený vo veľmi vlhkom prostredí, môže dojsť ku kondenzácii vlhkosti vo

vnútri prehrávača. Ak k tomu dôjde, systém môže byť poškodený a nebude fungovať správne. Prosím, nechajte systém zapnutý približne na hodinu, dokiaľ sa vlhkosť nevyparí.

13. Nečistite jednotku chemickými rozpúšťadlami, tie môžu poškodiť povrch zariadenia. Prístroj oprite čistou, suchou alebo mierne navlhčenou handričkou.
14. Pri odpojení napájacieho káblu zo zásuvky, ťahajte priamo za zástrčku, nikdy nie za kábel.
15. Ak je prístroj zapnutý v blízkosti vášho televízoru, môže vplyvom pôsobenia elektromagnetických vln doísť k ovplyvneniu funkčnosti oboch zariadení. Na televíznej obrazovke sa môžu objaviť čiary, rozpadáť sa obraz, môže byť ovplyvnený zvuk televízoru aj prístroja, prípadne môže byť ak televízor, tak prístroj úplne nefunkčný. Tomu zamedzíte umiestnením prístroja v dostatočnej vzdialenosti od televízora.
16. Sieťová zástrčka je používaná ako odpojovacie zariadenie, ktoré musí byť vždy pripravené k použitiu.
17. Ak chcete zachovať čítačku diskov s laserovým lúčom v čistote, nedotýkajte sa jej a vždy zatvárajte zásuvku disku.
18. Behom prehrávania sa disk otáča vysokou rýchlosťou. NEZDVÍHAJTE a nepresúvajte jednotku behom prehrávania, mohlo by dojsť k poškodeniu disku alebo jednotky.
19. Ak budete zariadenie premiestňovať alebo s ním manipulovať, vytiahnite disk z prehrávača a vráťte zásuvku disku do uzavretej polohy. Potom stlačte spínač pre vypnutie napájania a odpojte napájací kábel. Sťahovanie prístroja s vloženým diskom, môže spôsobiť poškodenie tohto prístroja alebo disk.
20. Ak chcete disk prehrať, vložte ho späť do zásuvky pre disk. Nevystavujte disky priamemu slnečnému svetlu ani zdrojom tepla. Nikdy nenechávajte disky v automobile zaparkovanom na priamom slnku.
21. Nedotýkajte sa spodnej plochy diskov so zapísanými dátami (skladbami). Držte disk za okraje tak, aby sa zabránilo odtlačkom prstov na povrchu disku. Akýkoľvek prach, otlacky prstov alebo škrabance môžu spôsobiť poškodenie disku.  Nikdy na disk nelepte nálepky alebo lepiacu pásku.
22. Pre čistenie disku použite čistú mäkkú handričku bez vlasov, ktorá nie je zaprášená. Nepoužívajte k čisteniu disku riedidlá, komerčne dostupné čistiace prostriedky alebo antistatické spreje na vinylové dosky. Disk čistite od stredu smerom von ku kraju v priamej linke. 
23. Ak chcete zabrániť možnému poškodeniu sluchu, nepočúvajte dlhší čas hudbu a rádio príliš nahlas.



VAROVANIE: NEBEZPEČIE ŽIARENIA

CLASS 1 LASER PRODUCT
LUOKAN 1 LASERLAITE
KLASS 1 LASERAPPARAT

Toto označenie znamená, že súčasťou tohto prístroja je laser. Otvorením veka zásuvky na CD a prelomením bezpečnostných zámkov bude užívateľ vystavený pôsobeniu žiarenia laserového lúču. Neďívajte sa do laserového lúču, pokiaľ je v prevádzke.

PRED UVEDENÍM DO PREVÁDZKY

Poznámka: V prípade kompaktných diskov.

Špinavé, poškodené alebo deformované disky môžu poškodiť prístroj, preto je treba sa držať nasledujúcich pokynov:

- a. Kompaktné disky, ktoré je možné použiť. Používajte iba kompaktné disky s označením uvedeným nižšie.



- b. Používajte CD kompaktné disky iba s digitálnymi zvukovými signálmi.

POZNÁMKA



Prehlásenie o zhode

Blaupunkt Competence Center 2N-Everpol Sp. z o.o. týmto prehlasuje, že je toto zariadenie v súlade so základnými požiadavkami a ďalšími príslušnými ustanoveniami smernice 2014/53 / EU.

Prehlásenie o zhode je možné získať zo stránky produktu na www.blaupunkt.com.

Zodpovedná strana: 2N-Everpol Sp. z o.o, Puławska 403A, 02-801 Varšava, Poľsko,

Tel: +48 22 331 99 59, E-mail: info@everpol.pl



Naše produkty sú navrhnuté a vyrobené z vysoko kvalitných materiálov a komponentov, ktoré sú recyklovateľné a opäť použiteľné.



Ak je tento symbol preškrtnutého kontajneru uvedený na výrobku, znamená to, že výrobok podlieha smernici EU 2002/96/ES. Informujte sa prosím na miestny systém zberu triedeného odpadu pre elektrické a elektronické výrobky. Prosím riadte sa miestnymi pravidlami a nelikvidujte staré produkty spolu s bežným komunálnym odpadom. Správnu likvidáciu starého výrobku pomôžete predísť možným negatívnym dopadom na životné prostredie a ľudské zdravie.



Výrobok obsahuje batérie podliehajúce smernici EÚ 2013/56/EÚ , ktoré nie je možné vyhadzovať do bežného domáceho odpadu. Informujte sa prosím o miestnych pravidlách zberu batérií, pretože správnu likvidáciou pomôžete predchádzať negatívnym dôsledkom pre životné prostredie a ľudské zdravie.

Informácie týkajúce sa životného prostredia

Výrobok je zabalený len v nutnom obale pre jeho ochranu. Snahou našej firmy je, aby bol obalový materiál jednoducho rozdeliteľný na tri materiály: lepenku (škatuľa), polystyrén (ochranné balenie) a polyetylén (sáčky, ochranné fólie z odľahčeného plastu). Výrobok sa skladá z materiálov, ktoré je možné recyklovať a znovu použiť v prípade demontáže odbornou firmou. Dodržujte prosím miestne predpisy týkajúce sa likvidácie obalových materiálov, vybitých batérií a starého zariadenia.

Na nahrávanie a prehrávanie materiálov môže byť vyžadovaný súhlas. Viz. Zákon o Copyright Act 1956 a Zákon na ochranu umelcov Sk 1958-1972.

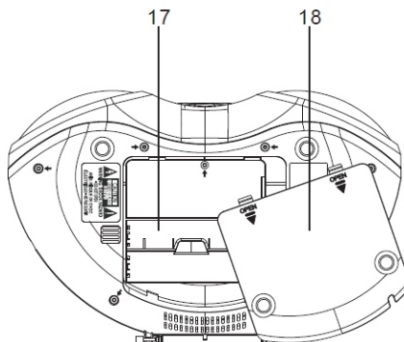
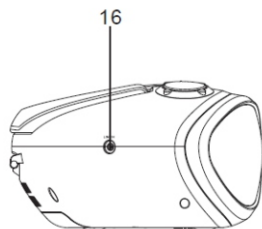
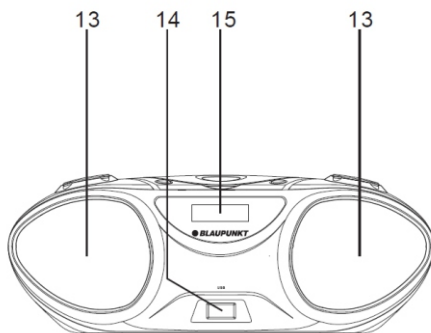
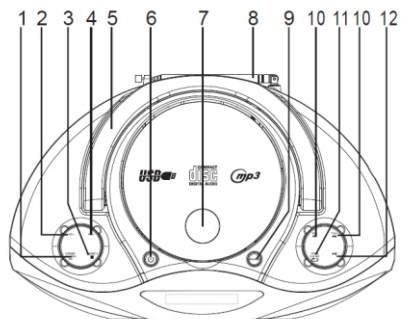
ERP2 - (Energy Related Products) poznámka

Tento výrobok je v zhode s EcoDesign a požiadavky 2. stupňa (EC) 1275/2008 vykonávajúci Nariadenie EÚ 2009/125 / EC ohľadom spotreby elektrickej energie elektronických zariadení pre domácnosti a kancelárie v pohotovostnom režime a vypnutom stave. Prístroj sa automaticky prepne do pohotovostného režimu, ak po dobu 30 minút neprichádza do audio vstupu žiadny signál.

Dôležité upozornenia:

Tento prístroj je vybavený režimom pre úsporu energie: prehrávač sa automaticky prepne do pohotovostného režimu, ak po dobu 30 minút neprichádza do audio vstupu žiadny signál podľa ERP2 štandardu). Vezmite prosím na vedomie, že nízka hlasitosť prichádzajúceho signálu môže byť interpretovaná zariadením, ako situácia kedy neprichádza žiadny audio signál a môže dôjsť k prepnutiu do pohotovostného režimu. Ak táto situácia nastane, pripojte znovu zdroj zvukového signálu, alebo zvýšte hlasitosť zdrojového signálu (mp3 prehrávače, atp.).

Umiestnenie ovládacích prvkov



Umiestnenie ovládacích prvkov

- 1 - preset - / priečinok + / tlačidlo + 10
- 2- Tlačidlo Hlasitosť -
- 3- Tlačidlo Preset + / zastavenie;
- 4- Tlačidlo Hlasitosť +;
- 5- Držiak;
- 6- Tlačidlo pohotovostného režimu;
- 7- Veko CD prehrávača;
- 8- FM anténa;
- 9- Tlačidlo voľby zdroja (režimu) prehrávania;
- 10- Tlačidlo ladenia Tune +/- a predchádzajúce / nasledujúce;
- 11- Tlačidlo programovania / hodín / opakovania
- 12- Tlačidlo prehrávania / pauzy;
- 13- Reprodukotor;
- 14- USB
- 15- Displej;
- 16- Vstup externého zdroja zvuku;
- 17- Komora batérií (napájací kábel je skrytý vo vnútri);
- 18- Veko komory batérií;

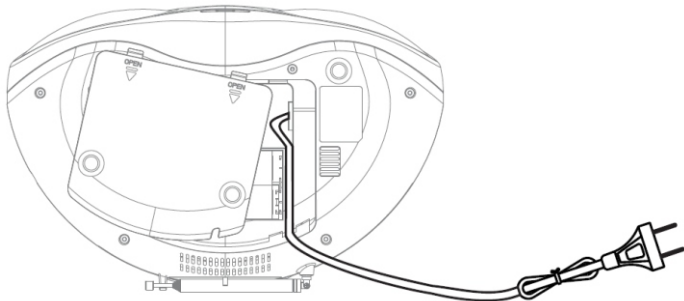
Zdroj el. napätia a pripojenie

Napájanie AC: otvorte veko komory batérií a z komory vyberte napájací kábel; následne ho úplne rozviňte a pretiahnite cez otvor vo veku komory batérií; zatvorte veko komory batérií. Zástrčku napájacieho kábla zastrčte do el. zásuvky AC (striedavého prúdu), zariadenie je pripojené k el. napätiu a môžete ho zapnúť. Keď sa zariadenie pripojí k sieťovému el. napätiu, napájanie na batérie sa automaticky odpojí.

Napájanie DC (z batérií): otvorte veko komory batérií a vložte 6 ks batérií typu UM2 / 1,5 V (nie sú súčasťou súpravy), dodržujte správnu polarizáciu, zachovávajte uvedené označenia. Následne zatvorte komoru batérií.

Poznámky:

- a. Nezabudnite, napájací kábel je upevnený a schovaný vo vnútri komory batérií.
- b. V prípade, ak je batéria skoro vybitá, vytváraný zvuk môže byť deformovaný, v takom prípade batérie vymeňte na nové, nabité. Batérie uchovávajte spôsobom šetrným k životnému prostrediu, dodržiava platné miestne predpisy.
- c. Nepoužívajte súčasne batérie rôznych výrobcov. Ak zariadenie nebudete dlhší čas používať, vyberte z neho všetky batérie, aby nedošlo k nežiaducemu vytečeniu batérií.



Nastavenie času

Keď je displej po zapnutí napájania zapnutý, znamená to, že zariadenie je spustené v pohotovostnom režime. Stlačte a na 2 sekundy podržte tlačidlo nastavovania času, na displeji začnú blikať číslice hodín; krátko stlačte tlačidlo Tune +/-, a nastavte aktuálnu hodinu; opätovne krátko stlačte tlačidlo nastavenia času, čím potvrdíte nastavenie hodín a prejdete na nastavenie minút; stláčaním tlačidla Tune +/- nastavte aktuálne minúty, a následne krátko stlačte tlačidlo nastavenia času, čím ukončíte nastavovanie.

Poznámky:

- Zariadenie podporuje iba 24-hodinový formát času.
- Hodiny sú dostupné iba vtedy, keď je zariadenie napájané (na AC alebo DC). V prípade, ak dôjde k prerušeniu napätia, nastavený čas sa zresetuje a musí sa opäť nastaviť.
- V režime prehrávania zvuku sa po 5 sekundách na displeji automaticky opäť zobrazí aktuálny čas.

Používanie CD

Zariadenie môže prehrávať súbory uložené na kompaktných platniach vo formátoch: CD / CD-R / CD-RW / MP3. Predtým, než spustíte prehrávanie, najprv skontrolujte formát CD platne a uistite sa, či je CD-čko čisté a či nie je poškodené.

Prehrávanie CD platne: otvorte veko CD prehrávača, do komory vložte CD, a následne veko zatvorte. Spustite zariadenie stlačením tlačidla pohotovostného režimu; stlačte tlačidlo voľby zdroja a vyberte režim CD; prehrávač následne načíta CD platňu a automaticky spustí prehrávanie.

Keď chcete v režime prehrávania CD zmeniť hlasitosť, stlačte tlačidlo hlasitosti +/-; keď chcete prehrávanie prerušiť alebo obnoviť, stlačte tlačidlo prehrávanie / pauza; keď chcete prehrávanie zastaviť, stlačte tlačidlo zastavenia (stop); keď chcete vybrať nasledujúcu alebo predchádzajúcu skladbu, krátko stlačte tlačidlo predchádzajúce / nasledujúce; keď chcete rýchlo presunúť skladu dopredu alebo dozadu, stlačte a podržte tlačidlo predchádzajúce / nasledujúce; keď chcete spustiť funkciu opakovania jednej skladby / všetkých skladieb / všetkých skladieb v danom priečinku, stlačte tlačidlo opakovania; Krátkym stlačením tlačidla 10+ spustíte prehrávanie desiatej nasledujúcej skladby; keď chcete spustiť prehrávanie nasledujúceho priečinka (funkcia je dostupná iba vtedy, keď sú na nosiči aspoň 2 priečinky) stlačte a na 2 sekundy podržte tlačidlo priečinkov+.

Programovanie prehrávania (do 20 skladieb na CD platni a 99 skladieb na MP3 nosičoch): stlačením tlačidla zastavenia zastavte prehrávanie CD; stlačením tlačidla programovania spustíte programovanie; na displeji sa zobrazí „P01“ a „PROG“; stlačte tlačidlo predchádzajúce / nasledujúce a vyberte požadovanú skladu, ktorú chcete naprogramovať (uložiť), a následne stlačením tlačidla programovania potvrdte vašu voľbu; daná skladba sa uloží ako P01. Opakujte činnosť, až kým sa na displeji nezobrazí „P20“ alebo „P99“, to znamená, že sú obsadené všetky dostupné programovateľné miesta. Stlačením tlačidla prehrávanie / pauza spustíte prehrávanie naprogramovaných skladieb; otvorením veka CD prehrávača alebo dvojitém stlačením tlačidla zastavenia zrušíte a odstránite naprogramované nastavenia prehrávania.

Používanie FM rádia

Predtým, než začnete používať FM rádio, najprv úplne vysuňte FM anténu a zariadenie umiestnite v blízkosti okna, tzn. na mieste s lepším rozhlasovým signálom.

Ladenie a automatické vyhľadávanie: frekvenciu FM postupne ručne zmeníte stláčaním tlačidla Tune +/-; keď tlačidlo stlačíte a podržíte na 2 sekundy, spustí sa automatické vyhľadávanie rozhlasových staníc, príslušne hore alebo dole (s vyššou alebo nižšou frekvenciou), keď chcete spustiť automatické vyhľadávanie a ukladanie dostupných rozhlasových staníc, stlačte a na 2 sekundy podržte tlačidlo programovania (maximálny počet uložených staníc je 40). Stláčaním tlačidla Preset +/- vyberiete alebo zmeníte uloženú rozhlasovú stanicu.

Ručné nastavovanie rozhlasových staníc: Keď stláčaním tlačidla Tune +/- naladíte požadovanú stanicu, najprv stlačte tlačidlo programovania, a následne stláčaním tlačidla predchádzajúce alebo nasledujúce vyberte požadované číslo, na ktorom sa má daná rozhlasová stanica uložiť, a voľbu potvrdte opätovným stlačením tlačidla programovania. Keď chcete uložiť iné rozhlasové stanice, zopakujte vyššie opísaný postup.

Používanie USB prehrávača

Predtým, než začnete používať USB prehrávač, skopírujte vaše MP3 audio súbory na USB kľúč (podporované sú pamäťové nosiče s maximálnou kapacitou 32 GB), a následne správne zasunúť USB kľúč do USB portu v zariadení. Zapnite zariadenie a stláčaním tlačidla voľby zdroja prehrávania aktivujete režim USB. Zariadenie automaticky načíta audio súbory uložené na nosiči a spustí prehrávanie.

Keď chcete v režime USB prerušiť alebo obnoviť prehrávanie, stlačte tlačidlo prehrávanie / pauza; keď chcete prehrávanie zastaviť, stlačte tlačidlo zastavenia (stop); keď chcete vybrať nasledujúcu alebo predchádzajúcu skladbu, krátko stlačte tlačidlo predchádzajúce / nasledujúce; keď chcete rýchlo presunúť skladu dopredu alebo dozadu, stlačte a podržte tlačidlo predchádzajúce / nasledujúce; keď chcete spustiť funkciu opakovania jednej skladby / všetkých skladieb / všetkých skladieb v danom priečinku, stlačte tlačidlo opakovania; krátkym stlačením tlačidla 10+ spustíte prehrávanie desiatej nasledujúcej skladby; keď chcete spustiť prehrávanie nasledujúceho priečinka (funkcia je dostupná iba vtedy, keď sú na nosiči aspoň 2 priečinky) stlačte a na 2 sekundy podržte tlačidlo priečink+.

Pozor:

- Na pripojenie USB kľúča (alebo iného USB nosiča) neodporúčame používanie predlžovací USB kábel, pretože počas prehrávania môže dochádzať k rušeniu.
- Nedá sa zaručiť, že zariadenie dokáže prehrávať skladbu uloženú na všetkých USB zariadeniach, vzhľadom na rôzne konštrukcie (štandardy) a rôznych výrobcov.
- Nedá sa zaručiť, že sa všetky MP3 súbory budú prehrávať správne.

Používanie režimu AUX IN / Priamy vstup / MP3 Link

3,5 mm audio kábel zastrčte do zdieľky LINE IN na zadnom paneli zariadenia a do zdierky audio signálu externého prehrávača (napr. prehrávač MP3 ap.). Zapnite zariadenie a stlačte tlačidlo voľby zdroja (režimu), kým sa na displeji nezobrazí „LINE IN“; Na externom prehrávači vyberte skladu a spustíte prehrávanie, zvuk zaznie z reproduktorov tohto zariadenia. Pripomíname, že prehrávanie sa ovláda iba na externom prehrávači, na tomto zariadení sa dá nastaviť iba intenzita zvuku.

Špecifikácia

Zdroj el. napätia: AC 230 V / 50 Hz;

Napájanie DC 9V (6 ks x UM2, 1,5V, batérie nie sú v súprave);

Frekvencia FM: 87,5 ~ 108,0 MHz;

Výstupný výkon RMS: 2 x 1 Watt;

Výstupné napätie USB: 5 V / 100 mA;

Parametre USB portu: obsluha USB kľúčov s kapacitou do 32 GB, audio súbory vo formáte MP3;

Optika CD prehrávača: 3 polovodičové laserové lúče;

Príkon: 12 W

Odber prúdu v pohotovostnom režime: < 1 W

(vyššie uvedená špecifikácia sa môže zmeniť bez predchádzajúceho upozornenia)

Riešenie problémov

1. Zariadenie sa nedá zapnúť.

a. Skontrolujte, či napájanie DC je správne pripojené.

b. V prípade, ak sa problém nepodarilo vyriešiť, kontaktujte autorizovaný servis.

2. Nekvalitný príjem rozhlasovej stanice.

a. Zariadenie umiestnite v blízkosti okna, tzn. na mieste so silnejším rádiovým signálom, alebo nastavte smer antény, aby bol príjem signálu kvalitnejší.

b. Skúste naladiť inú rozhlasovú stanicu.

c. V prípade, ak sa problém nepodarilo vyriešiť, kontaktujte autorizovaný servis.

3. Zariadenie nedokáže načítať CD platňu alebo USB kľúč.

a. Skontrolujte, či sú audio súbory, uložené na CD platni alebo USB kľúči, správne.

b. V prípade, ak sa problém nepodarilo vyriešiť, kontaktujte autorizovaný servis.

FONTOS BIZTONSÁGI UTASÍTÁSOK



CAUTION



ÁRAMÜTÉSVESZÉLY
NE NYISSA KI

Fontos biztonsági utasítások

Vigyázat:

Az áramütés elkerülése érdekében ne távolítsa el a burkolatot (vagy a hátsó panelt). A készülékben nem találhatóak szervizelhető alkatrészek. A szervizelést bízza szakképzett szerelőre.

A grafikus szimbólumok magyarázata:



Az egyenlő szárú háromszögben lévő villám szimbólum a termék belsejében lévő, olyan nem szigetelt, veszélyes feszültségre hívja fel a figyelmet, amely elég nagy ahhoz, hogy áramütést okozzon egy személynek vagy személyeknek.



Az egyenlő szárú háromszögben lévő felkiáltójel a termékhez mellékelt irodalomban található fontos kezelési és karbantartási (szervizelési) utasításokra hívja fel a figyelmet.

A legjobb élmény és teljesítmény eléréséhez, valamint a termék funkcióinak megismeréséhez figyelmesen olvassa el a jelen kézikönyvet a termék üzembe helyezése előtt. Így készüléke évekig a legjobb teljesítményt és zenei élményt nyújtja.

Fontos megjegyzések

- Órizza meg a jelen biztonsági és használati utasításokat későbbi felhasználás céljából.
- Ne tegye ki a készüléket párának vagy fröccsenésnek és nedves környezetnek (pl. fürdőszoba).
- Ne helyezze a készüléket a következő helyekre:
- Közvetlen napfénynek kitett vagy fűtőtestekhez közeli helyek.
- Túl sok hőt sugárzó sztereóberendezések teteje.
- Szellőzést akadályozó hely vagy poros terület.
- Folyamatosan rezgő helyek.
- Magas páratartalmú vagy nedves helyek.
- Ne helyezze gyertyákhoz vagy más nyílt lánghoz közel.
- Csak a használati útmutató szerint üzemeltesse a készüléket.
- A készülék első bekapcsolása előtt győződjön meg arról, hogy megfelelően csatlakoztatta a tápadaptert.
- Közvetlenül vagy egy 25 cm-nél nem hosszabb USB-hosszabbítókábel segítségével csatlakoztassa az USB-kulcsot.

Biztonsági okokból ne távolítsa el a burkolatot, és ne kíséreljen meg hozzáférni a készülék belsejéhez. A szervizelést bízza szakképzett szerelőre.

Ne próbálja meg eltávolítani a csavarokat vagy kinyitni a készülék házát; nem találhatóak benne szervizelhető alkatrészek. Az összes szervizelést bízza szakképzett szerelőre.

BIZTONSÁGI UTASÍTÁSOK

- 1. Olvassa el az utasításokat** – A készülék üzembe helyezése előtt olvassa el az összes biztonsági és használati utasítást.
- 2. Őrizze meg az utasításokat** – A biztonsági és használati utasításokat tartsa a készülékkel együtt későbbi felhasználás céljából.
- 3. Figyelmeztetések** – A készüléken, valamint a használati utasításokban lévő összes figyelmeztetést be kell tartani.
- 4. Tartsa be az utasításokat** – Tartsa be az összes használati utasítást.
- 5. Üzembe helyezés** – A gyártó utasításai szerint helyezze üzembe a készüléket.
- 6. Áramforrások** – A terméket csak olyan típusú áramforrásról szabad üzemeltetni, amely fel van tüntetve a tápkábel bemeneténél. Ha háztartásában nem található ilyen típusú áramforrás, forduljon a termékkereskedőhöz vagy a helyi energiaszolgáltatóhoz.
- 7. Földelés és polarizáció** – A terméket nem szükséges földelni. A csatlakozó teljesen bele legyen dugva a hosszabbító kábel aljzatába, hogy a dugasz érintkezői ne látszódjanak ki. A termék egyes változatai polarizált, váltakozó vezetékcsatlakozójú tápkábellel szereltek (olyan csatlakozó, amelynek egyik pengéje szélesebb, mint a másik). Az ilyen típusú csatlakozók csak egyféleképpen illeszthetők az aljzatba. Ez egy biztonsági funkció. Ha nem tudja teljesen beilleszteni a csatlakozót az aljzatba, próbálja meg megfordítani csatlakozót. Ha a csatlakozót így sem sikerül beilleszteni, forduljon villanyszerelőhöz az elavult aljzat cseréjéért illetően. Ne iktassa ki a polarizált csatlakozó biztonsági funkcióját. Ha tápkábel-hosszabbítót vagy egy nem a készülékhez mellékelt tápkábelt használ, ügyeljen arra, hogy a kábel megfelelő formájú csatlakozóval legyen felszerelve, és megfeleljen az adott országnak biztonsági előírásainak.
- 8. Tápkábel-védelem** – A tápkábeleket úgy kell elvezetni, hogy azokra ne lépjenek rá, ne hurokolódjanak, ne csípjék be őket a rájuk helyezett tárgyak, illetve ne feszüljenek nekik. Fordítson különös figyelmet a kábelvégekre, dugaljakra és a termék csatlakozási pontjaira.
- 9. Túlterhelés** – Ne terhelje túl a fali aljzatokat, a hosszabbító kábeleket és az elosztókat, mivel ezek tüzet vagy áramütést okozhatnak.
- 10. Szellőzés** – A termék szellőzése legyen megfelelő. Ne helyezze a terméket ágyra, kanapéra vagy hasonló felületre. Ne takarja le a terméket olyan tárgyakkal, mint asztalterítő, újságpapír stb.
- 11. Hő** – Ne helyezze a terméket hőforrások (pl. radiátorok, konvektorok, kályhák vagy egyéb berendezések, többek között erősítők) mellé. Ne helyezzen nyílt lángot (pl. meggyújtott gyertya) a készülékre.
- 12. Víz és nedvesség** – A tűzveszély és az áramütés elkerülése érdekében ne tegye ki a készüléket esőnek, fröccsenésnek vagy túlzott nedvességnek (pl. szauna vagy

fürdőszoba). Ne használja a készüléket víz közelében, mint például fürdőkád, mosdókagyló, mosogató, mosókonyha, úszómedence közelében és nyirkos pincében.

13. **Tárgyak és folyadékok** – Ne nyomjon be tárgyakat a készülék nyílásaiba, mivel azok hozzáérhetnek veszélyes feszültségpontokhoz vagy rövidzárlatot okozhatnak, és ez tűzhöz vagy áramütéshez vezethet. Ne öntsön semmiféle folyadékot a készülékre. Ne helyezze olyan tárgy tetejére, amely folyadékot tartalmaz.
14. **Tisztítás** – Tisztítás előtt húzza ki a készüléket a fali aljzatból. A mélyhangsugárgázóban lévő port száraz ruhával törölje ki. Ha aeroszolos tisztítóspray-t használ, ne permetezzen közvetlenül a bútorra, hanem a ruhára permetezzen. Ügyeljen arra, hogy ne sértse meg a meghajtóegységeket.
15. **Tartozékok** – Ne használjon olyan tartozékokat, amelyeket a gyártó nem javasol, mivel ezek veszélyt okozhatnak.
16. **Kiegészítők** – Ne helyezze a terméket instabil kocsira, állványra, háromlábú állványra, tartóra vagy asztalra, mivel a termék leeshet, és ez személyi (gyermek vagy felnőtt) sérülést vagy a termék súlyos károsodását okozhatja. Csak a gyártó által javasolt vagy a termékhez mellékelte kocsit, állványt, háromlábú állványt, tartót vagy asztalt használja. Csak a gyártó utasításai szerint szerelje fel a terméket, és csak a gyártó által javasolt konzolt használja.
17. **A termék mozgatása** – A kocsira állított termék mozgatásakor nagyon óvatosan járjon el. A gyors megállás, túlzott erő kifejtés vagy egyenetlen felület a kocsira állított termék felborulásához vezethet.
18. **Használaton kívüli időszakok** – Húzza ki a készülék tápkábelét viharos időben, illetve ha a készüléket hosszabb ideig nem használja.
19. **Szervizelés** – Ne próbálja meg szervizelni a készüléket, mivel a burkolatok kinyitása és eltávolítása során veszélyes feszültségnek vagy más veszélynek lehet kitéve. Az összes szervizelést bízza szakképzett szerelőre.
20. Ha nem használja a készüléket, húzza ki a tápcsatlakozót a fő áramforrásból vagy fali áramforrásból. A készülék akkor is áram alatt van, ha a készülék áramforráshoz csatlakozik, és a rendszer készenléti üzemmódban van.
21. **Cserealkatrészek** – Ha cserealkatrészekre van szükség, a szerelőnek a gyártó által előírt cserealkatrészeket vagy az eredeti alkatrészsel azonos műszaki tulajdonságokkal rendelkező cserealkatrészeket kell használnia. A nem engedélyezett cserealkatrészek tüzet, áramütést vagy más veszélyt okozhatnak.
22. **Hálózati biztosítékok** – A tűzveszély folyamatos védelme érdekében csak a megfelelő típusú és teljesítményű biztosítékokat használja. Az egyes feszültségtartományoknak megfelelő biztosítékjellemzők fel vannak tüntetve a terméken.
23. Ne növelje a hangerőt, ha nagyon alacsony szintű a bemeneti jel, vagy egyáltalán nincs audiojel. Ellenkező esetben a hangszóró károsodhat, ha hirtelen nagy hangerővel szólal meg a lejátszás.
24. A termék tápellátása csak úgy szüntethető meg teljesen, ha kihúzza a tápkábelt a fali aljzatból vagy a termékből. A termék használata közben mindig legyen könnyen hozzáférhető a fali aljzat vagy a termék tápkábele.
25. Próbálja a terméket a fali aljzathoz vagy a hosszabbító kábelhez közel, egy könnyen hozzáférhető helyen elhelyezni.
26. A készülék legfeljebb 35 °C környezeti hőmérséklet esetén üzemeltethető.

- 27. ESD tipp**ek – Ha a készülék elektrosztatikus kisülés miatt alaphelyzetbe áll vagy nem reagál, kapcsolja ki majd vissza, vagy tegye át egy másik helyre.
- 28. Akkumulátor**
- Ne tegye ki az akkumulátorokat túlzott hőnek, mint például napsütés, tűz vagy hasonló.
 - Az akkumulátorokat az akkumulátorok ártalmatlanítására vonatkozó környezetvédelmi előírások figyelembe vételével kell ártalmatlanítani.
 - Akkumulátorhasználattal kapcsolatos FIGYELMEZTETÉS – a testi sérülést, anyagi kárt vagy a készülék károsodását okozó akkumulátorszivárgás megakadályozásához:
 - A készüléken lévő + és - jelöléseknek megfelelően, helyesen tegye be az összes akkumulátort.
 - Ne használjon egyszerre különböző elemeket (régieket és újakat, illetve karbon és alkáli stb.).
 - Vegye ki az akkumulátorokat, ha a készüléket hosszabb ideig nem használja.



FIGYELEM:


A berendezést a csökkent fizikai vagy mentális képességekkel rendelkező személyek (beleértve a gyerekeket is), vagy az olyan személyek, akik nem ismerik a berendezést, csak felügyelet mellett vagy a biztonságukért felelős személy által előírt utasítások szerint használhatják. Gyermek csak felügyelet mellett használhatja a készüléket. A készülék nem játékszer.

- Soha ne használja a készüléket felügyelet nélkül. Mindig kapcsolja ki a készüléket, ha nem használja, még akkor is, ha ez csak egy rövidebb időtartam.
- A készülék nem működtethető külső időzítőről vagy külön távvezérlő-rendszerről.
- Ha a tápkábel sérült, a veszély elkerülése érdekében cseréltesse ki a gyártóval, a szervizszolgálattal vagy hasonló szakképzett személlyel.
- A készülék üzembe helyezése előtt ellenőrizze, hogy a rendszer feszültsége megegyezik-e a helyi hálózati áram feszültségével.
- A terméket ne takarja le (pl. újságpapírral, asztalterítővel, függönnyel stb.) úgy, hogy blokkolja a szellőzőnyílásait. Győződjön meg arról, hogy a készülék felett legalább 20 cm, a készülék oldalánál pedig legalább 5 cm szabad hely van.
- Ne tegye ki a készüléket párának vagy fröccsenésnek, és ne helyezze olyan tárgyakra, amelyek folyadékkal vannak töltve (pl. váza).
- A tűz vagy áramütés megakadályozása érdekében ne tegye a készüléket forró helyre, és ne érje eső, nedvesség vagy por.
- Ne tegye a készüléket vízforrás közelébe (pl. csapok, fürdőkádak, mosógépek vagy úszómedencék). A készülék száraz, stabil felületen legyen.
- Ne tegye a készüléket erős mágneses mező közelébe.
- Ne tegye a készüléket erősítőre vagy vevőkészülékre.
- Ne tegye a készüléket nyirkos helyre, mivel a nedvesség kedvezőtlen hatással van az elektromos alkatrészek élettartamára.
- Ha a készüléket közvetlenül hidegről melegre viszi át, vagy nagyon nyirkos helyre teszi, a lencse belsején nedvesség képződhet. Ebben az esetben a rendszer nem működik megfelelően. Hagyja a rendszert bekapcsolva körülbelül egy óráig, amíg a

nedvesség el nem párolog.

13. Ne próbálja meg vegyi oldószerekkel tisztítani a készüléket, mivel ezek károsíthatják a felületét. Tiszta, száraz vagy enyhén nedves ruhával törölje meg.
14. A tápcsatlakozó kihúzásakor mindig közvetlenül a csatlakozót húzza, soha ne a kábelt.
15. Ha a bekapcsolt készülék közelében található bekapcsolt TV, a televízió-adás által használt elektromágneses hullámoktól függően a képernyőn csíkok jelenhetnek meg. Ez nem a készülék, és nem is a TV hibája. Ha ilyen csíkokat észlel, vigye távol a készüléket a TV-készüléktől.
16. A hálózati csatlakozó megszakítóeszközként szolgál, így a megszakítóeszköznek mindig elérhetőnek kell lennie.
17. A lézerfej tisztán tartása érdekében ne nyúljon hozzá, és mindig zárja be a lemeztálcát.
18. Lejátszás közben a lemez nagy fordulatszámmal forog. NE emelje fel és ne mozgassa a készüléket lejátszás közben, ellenkező esetben a lemez vagy a készülék megsérülhet.
19. A készülék áthelyezésekor vagy költözés miatti becsomagolásakor ügyeljen arra, hogy a lemez legyen kivéve a készülékből, és a lemeztálcá zárt helyzetben legyen. Ezt követően nyomja meg a kapcsolót kikapcsoláshoz, majd húzza ki a tápkábelt. A készülék károsodhat, ha lemezzel a belsejében mozgatja.
20. Lejátszás után helyezze vissza a lemezeket a tartójukba. Soha ne tegye ki a lemezeket közvetlen napfénynek vagy hőforrásoknak. Soha ne hagyja a lemezeket napon parkoló autóban.
21. Ne érintse meg a lemezek írott oldalát. A lemezeket a peremüknél fogva tartsa, így nem hagy ujjlenyomatot a felületükön. A por, ujjlenyomatok vagy karcolások miatt előfordulhat, hogy a lemez meghibásodik. Ne ragasszon címkét vagy ragasztószalagot a lemezre.



22. A lemezeket tiszta, fosztlásmentes ruhával, egyenes vonalon, belülről kifelé haladva, hígítóval, kereskedelmi forgalomban kapható tisztítószerekkel, illetve a bakelitlemezekhez használt antisztatikus spray-vel tisztítsa meg.


23. A halláskárosodás elkerülése érdekében ne hallgassa a készüléket nagy hangerővel huzamosabb ideig.



FIGYELEM: SUGÁRZÁSVESZÉLY

CLASS 1 LASER PRODUCT
LUOKAN 1 LASERLAITE
KLASS 1 LASERAPPARAT

Ez a címke az jelenti, hogy a készülék lézeralkatrészt tartalmaz. A CD-tartó fedelének kinyitása, és a biztonsági zárószervezetek kiiktatása esetén lézersugárzás érheti a felhasználót. Ne nézzen a lézerbe a működése közben.

ÜZEMBE HELYEZÉS ELŐTT

Megjegyzések: CD lemezekre vonatkozó információk.

- a. Mivel a szennyezett, sérült vagy meghajlott CD-k károsíthatják a készüléket, figyeljen oda a következőkre:
Használható CD lemezek. Csak olyan CD lemezeket használjon, amelyeken megtalálható az alábbi jelölés.



- b. CD kompaktlemez csak digitális audiojelekkel.

MEGJEGYZÉS



Megfelelőség

A Blaupunkt Competence Center 2N-Everpol Sp. z o.o. kijelenti, hogy ez a készülék megfelel a 2014/53/EU irányelv alapvető követelményeinek és más vonatkozó rendelkezéseinek. A megfelelőségi nyilatkozat a termék honlapjáról szerezhető be: www.blaupunkt.com.
Felelős fél: 2N-Everpol Sp. z o.o, Puławska 403A, 02-801 Varsó, Lengyelország,
telefon: +48 22 331 99 59, e-mail: info@everpol.pl



A készülék kiváló minőségű, újrahasznosítható és újrafelhasználható anyagokból és alkatrészekből készült.



Ha az áthúzott, kerek szemetesláda szimbólum fel van tüntetve a készüléken, az azt jelenti, hogy a készülék megfelel a 2002/96/EK európai irányelvnek. Kérjük, tájékozódjon az elektromos és elektronikus készülékek helyi szelektív gyűjtésére vonatkozó előírásokról. Cselekedjen a helyi törvényeknek megfelelően, és a kiselejtett készülékeket gyűjtse elkülönítve a lakossági hulladéktól. A feleslegessé vált készülék

helyes kiselejtezésével segít megelőzni a környezetszennyezést és a különféle egészségkárosodásokat.



A termék akkumulátorai megfelelnek a 2013/56/EU európai irányelv követelményeinek, ezért ne kezelje őket háztartási hulladékként. Tájékozódjon a hulladékok szelektív gyűjtésének helyi rendszeréről, mivel a megfelelő hulladékkezelés hozzájárul a környezetszennyezéssel és a különféle egészségkárosodásokkal kapcsolatos következmények megelőzéséhez.

Környezetvédelemmel kapcsolatos tudnivalók

A termék csomagolása nem tartalmaz felesleges csomagolóanyagot. A csomagolás három különböző anyagra osztható fel: karton (doboz), polisztrén hab (védőbakok) és polietilén (tasakok, védő hablapok). A rendszerben található anyagokat erre specializálódott vállalat képes újrafeldolgozni és újrahasznosítani. Tartsa szem előtt a csomagolóanyagok, kimerült akkumulátorok és régi készülékek leselejtezésére vonatkozó helyi előírásokat.

Bizonyos anyagok felvételéhez és lejátszásához hozzájárulás szükséges. Lásd az 1956-os szerzői jogi, illetve az 1958–1972-es, a szellemi tulajdon védelmével foglalkozó törvényt.

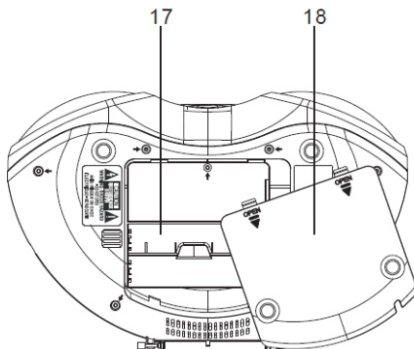
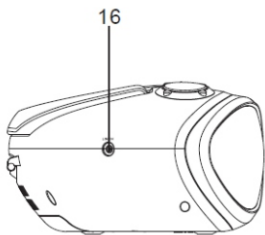
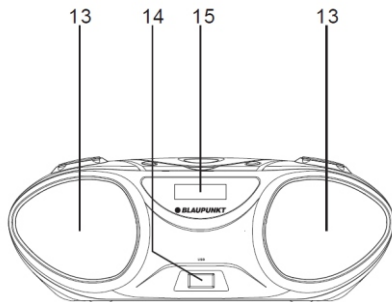
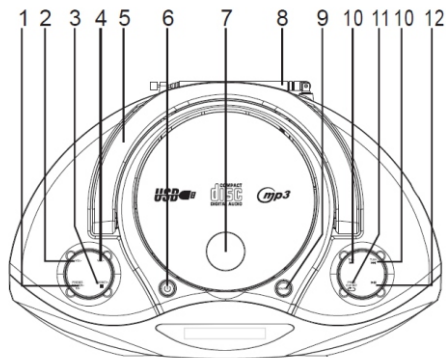
ERP2-re (energiával kapcsolatos termékek) vonatkozó megjegyzés

A termék megfelel a 2009/125/EK irányelv végrehajtásáról szóló 1275/2008 számú bizottsági rendelet 2. szakaszában található, az elektromos és elektronikus háztartási és irodai berendezések készenléti és kikapcsolt üzemmódban fellépő elektromosáram-fogyasztására vonatkozó környezetbarát tervezési követelményeknek. Ha 30 percig nem észlel bemenő audiojelet, a készülék automatikusan készenléti üzemmódba kapcsol. A használat folytatásához olvassa el a kezelői kézikönyvet.

Fontos megjegyzések:

A készülék energiatakarékos üzemmódban működik: ha 30 percig nem kap jelet, a készülék automatikusan készenléti üzemmódba vált, hogy energiát takarítson meg (ERP 2 szabvány). Előfordulhat, hogy a rendszer az alacsony hangerejű audioforrást nem érzékeli audiojelként: ez hatással van a jelérzékelési képességére, és a készülék automatikusan készenléti üzemmódba válthat. Ebben az esetben a lejátszás folytatásához aktiválja újra az audiojel-átvitelt vagy növelje az audioforrás (MP3-lejátszó stb.) hangerő-beállítását. Ha a probléma továbbra is fennáll, forduljon a helyi szervizközponthoz.

Vezérlőelemek elhelyezése



Vezérlőelemek elhelyezése

- 1 - Preset - / mappa + / + 10 gomb
- 2 - Hangerő - gomb
- 3 - Preset + / szünet gomb;
- 4 - Hangerő + gomb;
- 5 - Fogantyú;
- 6 - Készletléti állapot gomb;
- 7 - CD-meghajtó fedele;
- 8 - FM antenna;
- 9 - Hangforrás kiválasztó gomb;
- 10 - Tune +/- hangolás és előző / következő gomb;
- 11 - Programozás / óra / ismétlés gomb
- 12 - Lejátszás / szünet gomb;
- 13 - Hangszóró;
- 14 - USB
- 15 - Kijelző;
- 16 - Külső hangforrás bemenete;
- 17 - Elemtartó (a tápkábel belül van elrejtve);
- 18 - Elemtartó fedele;

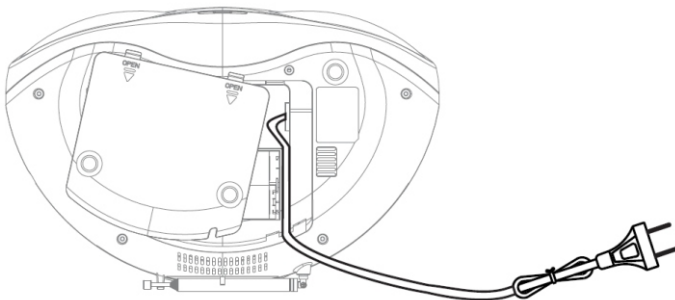
Tápforrás és csatlakoztatás

AC tápforrás: nyissa ki az elemtartó fedelét és vegye ki a tápkábelt; ezt követően teljesen tekerje le és dugja át a kábelt az elemtartó fedélen található nyíláson; zárja be az elemtartó fedelét. A készülék csatlakoztatásához helyezze a tápkábel csatlakozóját fali AC aljzatba. Ezt követően a kijelző bekapcsol. A tápkábel csatlakoztatásakor az elemes működtetés automatikusan szüneteltetésre kerül.

DC tápforrás (akkumulátoros működtetés): nyissa ki az elemtartó fedelét és helyezzen be 6 db UM2 / 1,5V típusú elemet (a készlet nem tartalmazza) a gravírozott pozitív és negatív polaritásnak megfelelően. Ezt követően zárja be az elemtartó fedelét.

Megjegyzések:

- a. Emlékezzen arra, hogy a tápkábel az elemtartó belsejében van rögzítve és elrejtve.
- b. az elem lemerülésekor vagy alacsony töltöttség esetén a hang torzulhat, ebben az esetben új elemeket kell behelyezni. Az elemeket környezetkímélő módon kell tárolni, tartsa be a helyi vonatkozó előírásokat.
- c. Ne helyezzen be különböző gyártóktól származó elemeket; a folyadék kijutásának megelőzése érdekében vegye ki az elemeket ha a készülék hosszabb ideig használaton kívül marad.



Óra beállítása

Ha a készülék csatlakoztatása után a kijelző bekapcsol, úgy a készülék működésre kész. Tartsa lenyomva 2 másodpercig az óra beállító gombot, az óra számjegyei villogni kezdenek a kijelzőn; az óra beállításához röviden nyomja meg a Tune +/- gombot; a bevitt érték jóváhagyásához és a percekre való átlépéshez nyomja meg ismét röviden az óra beállító gombot; állítsa be a perceket a Tune +/- gombbal, majd a beállítás véglegesítéséhez nyomja meg röviden az óra beállító gombot.

Megjegyzések:

- Kizárólag a 24 órás formátum kezel.
- Az óra csak AC vagy DC üzemetelési módban működik. A tápellátás megszakítása után kérjük ismét állítsa be az időt.
- Lejátszási módban 5 másodperc után a kijelzőn ismét automatikusan megjelenik az idő.

CD kezelése

A készülék CD / CD-R / CD-RW / MP3 formátumú CD lemezek lejátszására képes. A lejátszás megkezdése előtt ellenőrizze le a CD lemez formátumát és győződjön meg arról, hogy a CD tiszta és nem sérült.

CD lemez lejátszása: nyissa ki a CD lejátszó fedelét, helyezze be a CD lemezt, majd zárja le a fedelet. A készülék bekapcsolásához nyomja meg a készenléti állapot gombot; CD mód kiválasztásához nyomja meg a hangforrás kiválasztó gombot; ezt követően a készülék leolvassa a CD lemezt és a lejátszás automatikusan elindul.

CD lemez lejátszó módban a hangerő beállításához a hangerő +/- gombokat használja; a lejátszás szüneteltetéséhez és ismételt elindításához a lejátszás / szüneteltetés gombot nyomja meg; a lejátszás szüneteltetéséhez nyomja meg a szünet gombot; a zeneszám kiválasztásához röviden, a gyors előre vagy hátratekeréshez pedig hosszan nyomja meg az előző vagy következő gombot; egy zeneszám / mindegyik zeneszám / mappa ismétléséhez az ismétlés gombot nyomja meg; a 10+ gomb rövid megnyomása lehetővé teszi a 10 zeneszámmal való léptetést; 2 vagy több mappa esetén a következő mappába való ugráshoz tartsa lenyomva 2 másodpercig a mappa + gombot (kizárólag MP3 lemezek esetén).

Lejátszás programozása (max. 20 zeneszám CD lemezen és 99 zeneszám MP3 lemezen): CD lemez lejátszásának szüneteltetéséhez nyomja meg a szünet gombot; a programozás megkezdéséhez nyomja meg a programozás gombot; a kijelzőn a „P01” és „PROG” feliratok jelennek meg; a beprogramozni kívánt zeneszám kiválasztásához nyomja meg az előző vagy következő gombot, majd a jóváhagyáshoz nyomja meg a programozás gombot; a zeneszám P01-ként kerül elmentésre. Ismétlje meg ezt a lépést a „P20” vagy a „P99” felirat megjelenéséig, mely a memória betelését jelenti. A beprogramozott zeneszám lejátszásához nyomja meg a lejátszás / szünet gombot; a beprogramozott lejátszás törléséhez nyissa fel a CD lejátszó fedelét, vagy nyomja meg kétszer a szünet gombot.

FM rádió kezelése

A rádió használata előtt húzza ki teljesen az FM antennát és a jobb vétel érdekében helyezze a készüléket ablakhoz közel.

Keresés és automatikus keresés: az FM sáv szélesség lépésszerű beállításához nyomogassa a Tune +/- gombot, a felfelé vagy lefelé történő automatikus kereséshez 2 másodpercig tartsa lenyomva ugyanezt a gombot; az elérhető rádiócsatornák automatikus kereséséhez és elmentéséhez 2 másodpercig tartsa lenyomva a programozás gombot (maximálisan beprogramozható rádiócsatornák száma: 40) Az automatikusan elmentett csatornák kiválasztásához vagy módosításához a Preset +/- gombot használja.

Rádióállomások kézi elmentése: A kiválasztott rádióállomás Tune +/- gombbal történő behangolása után először a programozás gombot nyomja meg; ezt követően az előző és következő gombok segítségével határozza meg, hogy melyik szám alatt kerüljön elmentésre az adott rádióállomás, majd a kiválasztás jóváhagyásához ismét nyomja meg a programozás gombot. A többi rádióállomás elmentéséhez ismétlje meg a fenti lépéseket.

USB lejátszás kezelése

Az USB eszköztől történő lejátszás megkezdése előtt másolja át az MP3 formátumú zeneszámokat az USB háttértárolóra (maximum 32 GB kapacitású tárhely kezelhető), majd helyezze be az USB eszközt az USB csatlakozóba. Az USB mód bekapcsolásához kapcsolja be a készüléket és nyomja meg néhányszor a hangforrás kiválasztó gombot. A készülék automatikusan leolvassa a fájlokat és elindítja a lejátszást.

USB lejátszó módban a lejátszás szüneteltetéséhez és ismételt elindításához a lejátszás / szüneteltetés gombot nyomja meg; a lejátszás szüneteltetéséhez nyomja meg a szünet gombot; a zeneszám kiválasztásához röviden, a gyors előre vagy hátratekeréshez pedig hosszan nyomja meg az előző vagy következő gombot; egy zeneszám / mindegyik zeneszám / mappa ismétléséhez az ismétlés gombot nyomja meg; a 10+ gomb rövid megnyomása lehetővé teszi a 10 zeneszámmal való léptetést; 2 vagy több mappa esetén a következő mappába való ugráshoz tartsa lenyomva 2 másodpercig a mappa + gombot.

Megjegyzés:

- a. Nem ajánlott USB hosszabbító használata, mivel lejátszás közben interferenciát okozhat.
- b. az eltérő szerkezetekre és gyártókra való tekintettel nem garantált mindegyik USB eszköz megfelelő olvasása.
- c. Nem garantált mindegyik MP3 fájl hibátlan lejátszása.

AUX IN / Vezetékes / MP3 Link mód kezelése

A 3,5 mm-es audió kábel segítségével csatlakoztassa a külső eszköz (pl. MP3 lejátszó, stb.) audió kimenetét a készülék hátulján található LINE IN bemenettel. A LINE IN mód kiválasztásához kapcsolja be a készüléket és nyomja meg a hangforrás kiválasztó gombot; a külső eszközön válassza ki és játssza le a zeneszámot, a hang ennek a készüléknek a hangszóróiból fog szólni. Érdemes szem előtt tartani, hogy ebben az esetben a vezérlésért a külső eszköz felel, ezen a készüléken pedig kizárólag a hangerő állítható be.

Műszaki adatok

Tápellátás: AC 230V / 50Hz;

Tápforrás DC 9V (6 db. x UM2, 1.5V, a készlet nem tartalmaz elemeket);

FM sávszélesség: 87,5 ~ 108,0 MHz;

RMS Kimeneti teljesítmény: 2 x 1Watt;

USB Kimeneti feszültség: 5V / 100Ma;

USB port paramétere: max. 32 GB kapacitású tárhelyek kezelése, MP3 audió fájlok;

CD meghajtó optika: 3 félvezetős lézersugár;

Áramfelvétel: 12W;

Áramfelvétel készenléti állapotban: <1W;

(a fenti adatok előzetes értesítés nélkül módosulhatnak)

Problémák elhárítása

1. A készüléket nem lehet bekapcsolni.

- a. Ellenőrizze le, hogy a DC tápellátás megfelelően lett-e csatlakoztatva.
- b. További probléma esetén vegye fel a kapcsolatot a szervizközponttal.

2. Rádiócsatorna rossz vételi minősége.

- a. Helyezze a készüléket a jobb vétel érdekében ablak közelébe, vagy változtassa meg az antenna helyzetét.
- b. Próbáljon ki másik rádiócsatornát.
- c. Probléma esetén vegye fel a kapcsolatot a szervizközponttal.

3. A készülék nem olvassa a CD lemezt és USB háttértárolót.

- a. Kérjük, ellenőrizze le, hogy a CD lemez vagy az audió fájlok megfelelőek-e.
- b. Probléma esetén vegye fel a kapcsolatot a szervizközponttal.

VAŽNE SIGURNOSNE UPUTE


OPREZ


UGROŽENJE OD ELEKTRIČNOG
UDARA
NEMOJTE OTVARATI

Važne sigurnosne upute**Oprez:**

Kako bi se smanjila opasnost od električnog udara, nemojte skidati poklopac niti stražnji dio uređaja. Unutar uređaja ne postoje komponente za popravak od strane korisnika. Održavanje i popravak opreme izvršava isključivo kvalificirano servisno osoblje.

Objašnjenje grafičkih simbola:

Simbol munje sa sa strelicom koji se nalazi u jednakostraničnom trokutu upozorava na prisutnost neizoliranog „opasnog napona“ unutar kućišta uređaja koja može postići veličinu uzrokujuću strujni udar.



Uskličnik unutar jednakostraničnog trokuta upozorava korisnika da ovdje su prezentirane važne poruke za rad i održavanje opreme u dokumentaciji priloženoj uređaju.

Pročitajte ovaj priručnik prije uporabe uređaja da se upoznate sa značajkama i kako koristiti uređaj sukladno namjeni. Ovo će osigurati dugotrajan, besprijekoran rad uređaja i zadovoljstvo uz korištenje.

Važne informacije

- Sačuvajte operativne upute i sigurnosne informacije kako bi se ih moglo koristiti u budućnosti.
- Nemojte dopustiti da na uređaj kapa ili proliva se bilo koja tekućina.
- Ne smije se također koristiti na vlažnim mjestima, kao što su npr. kupaoonica.
- Ne postavljajte uređaj na sljedećim mjestima:
 - Izložen suncu ili blizu grijalica.
 - Na vrh druge stereo opreme koja generira toplinu.
 - Tako da blokira ventilaciju ili u prašnjavom mjestu.
 - U okruženju izloženom neprekidnim vibracijama.
 - U područjima visoke vlage.
- Ne postavljajte uređaj blizu otvorenog plamena ili otvorene vatre. Uređaj se može koristiti samo na način opisan u ovim uputama. Prije prvog uključivanja napajanja, pobrinite se da je napajanje ispravno pripojeno. USB memoriju se pripaja neposredno ili preko produžnog USB kabela s dužinom do 25 cm.

Iz sigurnosnih razloga, nemojte skidati poklopce ili pristupiti unutrašnjosti uređaja. Uređaj smije popravljati samo kvalificirano servisno osoblje. Nemojte rastavljati uređaj ili otvarati njegovo kućište, jer unutra nema dijelova koje bi se moglo popraviti od strane korisnika. Održavanje i popravak opreme izvrši isključivo kvalificirano

Sigurnosne upute




1. Pročitajte upute - prije uporabe stroja, pročitajte sve upute i informacije o sigurnosti.
2. Sačuvajte ove upute - zadržite upute za upotrebu i održavanje kako bi se ih moglo koristiti u budućnosti.
3. Poštujte upozorenja - slijedite sva upozorenja objavljena na uređaju te koje se nalaze u uputama.
4. Slijedite upute - slijedite upute i preporuke za korisnike.
5. Montaža - montirajte uređaj prema uputama proizvođača.
6. Izvori energije - uređaj treba napajati samo iz izvora koji je naveden na naljepnicama na kabelu napajanja. Ako niste sigurni koju vrstu napajanja ima vaša kuća, obratite se prodavatelju ili lokalnoj energetskej tvrtki.
7. Uzemljenje ili polarizacija napajanja - uređaj ne mora biti uzemljen. Provjerite je li utikač potpuno umetnut u utičnicu ili u produžni kabel, kako bi se spriječilo otkriće igle ili kontakata. Neke verzije stroja mogu biti opremljene polariziranim utikačem izmjenične struje (jedna lopatica je šira). Ovaj utikač se može umetnuti u utičnicu samo na jedan način. Ovo je sigurnosna značajka. Ako ne možete staviti utikač u utičnicu, pokušajte ga okrenuti. Ako utikač i dalje ne odgovara utičnici, pozovite električara da to promijeni. Ne skidajte zaštitu polariziranog utikača. Kada koristite produžni kabel ili kabel za napajanje osim isporučenog s uređajem morate imati odgovarajuće čepove i potvrdu o sigurnosti potrebnu za određenu zemlju upotrebe.
8. Osiguranje kabela za napajanje - energetske kabele moraju biti preusmjereni na takav način kako ne bi se moglo kroz njih hoditi, pritiskivati ili obrezivati bilo kojim postavljenim objektima. Obratite posebnu pozornost na utikače, utičnice i mreže, gdje kabele izlaze iz uređaja.
9. Preopterećenja - nemojte preopteretiti zidne utičnice, produžne kabele i električne distributere, jer ovo baš može dovesti do požara ili strujnog udara.
10. Ventilacija - uređaj mora biti pravilno provjetran. Ne postavljajte uređaj na krevet, kauč ili drugu sličnu površinu. Nemojte prekrivati stroj stolnjakom, salvetom, novinama i sl.
11. Vrućina - nemojte postavljati uređaj u blizini izvora topline kao što su grijači, radijatori, peći i ostali uređaji (pojačala) koji stvaraju toplinu. Ne stavljajte na uređaj upaljenih svijeća i drugog otvorenog plamena.
12. Voda i vlaga - kako bi se smanjio rizik od požara ili električnog udara, nemojte izlagati uređaj kiši, vlazi i vodi, na primjer u sauni ili u kupaonici. Ne koristite ovaj proizvod u blizini vode, primjerice blizu kade, umivaonika, sudopera ili kade za pranje rublja, u vlažnom podrumu ili blizu bazena (ili u drugim sličnim mjestima).
13. Predmeti i tekućine u uređaju - nemojte gurati predmete kroz otvore jer može doći do kontakta s opasnim naponom te komponentama, koje mogu izazvati požar ili strujni udar. Ni pod kojim uvjetima ne prolijevajte nikakvu tekućinu na površini uređaja. Ne stavljajte predmete na vrhu koje sadrže tekućine.
14. Čišćenje - uvijek prije čišćenja isključite uređaj iz zidne utičnice. Prašinu oko zvučnika se može ukloniti suhom krpom. Ako za čišćenje će se koristiti sredstvo u obliku aerosola, sprej ne bi se smjelo da bude usmjeren izravno na stroj, ali tkaninu. Budite oprezni da ne oštetiti pogonske jedinice.
15. Dodatna oprema - nemojte koristiti pribore koji nisu odobreni od strane proizvođača, jer mogu predstavljati prijetnju za rad uređaja i za samog korisnika.
16. Pribori - nemojte postavljati uređaj na nestabilne kolicke, stalku, tronožcu, nosaču ili stolu. Uređaj se može kotrljati i oštetiti se ili uzrokovati ozbiljne ozljede djeci ili odraslim osobama. Koristite samo kolicke, stalke, tronožce, nosače ili stolove kojih preporučuje proizvođač ili se ih prodaje zajedno s uređajem. Montažu uređaja se mora provesti u skladu s uputama proizvođača, koristite pribore za ugradnju oobrene od strane proizvođača.
17. Premještanje stroj - uređaj postavljen na kolicama mora se premješati vrlo pažljivo. Naglo zaustavljanje, previše sila i neravne površine mogu uzrokovati da kolica s uređajem prevrne.

19. Servisiranje - ne pokušavajte pogledati unutrašnjost uređaja sami. Otvaranje poklopca može uzrokovati opasne napone i izložiti vas drugim opasnostima. Održavanje i popravak opreme vrši isključivo kvalificirano servisno osoblje.
 20. Kada stroj nije u uporabi, izvucite mrežni utikač iz zidne utičnice. Kad je uređaj pripojen na izvor napajanja, uređaj je u stanju čekanja i nije u potpunosti isključen.
 21. Rezervni dijelovi – tijekom zamjene dijelova, treba provjeriti da li serviser je koristio rezervne dijelove koje preporučuje proizvođač ili dijelove koje su identične originalnim dijelom. Izrada zamjene neodobrenih rezervnih dijelova ugrožava od požara, strujnog udara ili drugih opasnosti.
 22. Glavni osigurači – da bi se konstantno osiguralo uređaj od požara, koristite osigurače samo odgovarajuće vrstu i određenih parametara. Parametri osigurača u rasponu napona su označeni na uređaju.
 23. Ne smije se da se povećava glasnoću dijela kad se sluša dio s niskom glasnoćom ili u slučaju odsutnosti ulaznog audio signala. Inače, s naglim porastom snage signala možete oštetiti zvučnik.
 24. Jedini način da isključite uređaj iz izvora napajanja je takav da odspojite mrežni kabel iz zidne utičnice ili uređaja. Električna utičnica ili kabel ulazne snaga na uređaju mora biti uvijek na raspolaganju kada koristite proizvod.
 25. Uređaj bi trebao biti instaliran u blizini utičnice napajanja ili produžnog kabela na takav način su oni uvijek na raspolaganju.
 26. Maksimalna temperatura okoline uređaja je 35°C
 27. Savjeti za elektrostatička pražnjenja - ako se rad prekine zbog elektrostatičkog pražnjenja, isključite uređaj ponovno ili premjestiti ga na drugo mjesto.
 28. Baterija
 - a. Baterije se ne smije izlagati pretjeranoj toplini, npr. suncu, vatri i sličnim uvjetima.
 - b. Kod zbrinjavanja baterije, obratite pažnju na aspekte okoliša.
 - c. Ponašajte se oprezno tijekom korištenjem baterija: kako bi se spriječilo curenje baterije, koje može uzrokovati ozljede ili oštećenja na uređaju:
 - Pri umetanju baterija obratite pažnju na polaritet (+ i -).
 - Nemojte koristiti različite baterije u isto vrijeme - stare i nove, alkalne baterije, standardne itd.
- Izvadite baterije iz uređaja kad se ga neće koristiti duže vrijeme.

UPOZORENJE

Uređaj ne smije biti korišten od strane osoba (uključujući djecu) sa smanjenim fizičkim, osjetilnim ili mentalnim sposobnostima te osoba s nedovoljnim znanjem i iskustvom, ako nisu one pod nadzorom osobe odgovorne za njihovu sigurnost i nisu obučeni o tome kako sigurno koristiti uređaj. Prisutnost odraslih je potrebna ako uređaj koriste djeca; ovo će osigurati sigurnu uporabu uređaja.

1. Nikada ne ostavljajte stroj da radi bez nadzora! Isključite uređaj kada nije u uporabi, čak i za kratko vrijeme.
2. Uređaj se ne može upravljati putem vanjskog sata s timerom, ili posebnim sustavom daljinskog upravljanja.
3. Da bi se izbjegla opasnost u slučaju štete za zamjenu kabela napajanja treba se obratiti proizvođaču, ovlaštenom servisu ili drugim stručnim osobama.
4. Prije uporabe uređaja, provjerite je li napon odgovara naponu koji je nastao u mrežnom naponu.
5. Nemojte prekrivati ventilacijske otvore uređaja, npr. papirom, tkaninama, zavjesama, itd. Uvjerite se da uređaj ima najmanje 20 cm slobodnog prostora, a na svakoj strani - najmanje 5 cm.
6. Nemojte dopustiti da na uređaj kapaju ili prolivaju tekućine, te nemojte stavljati posude s tekućinom, poput vaza.
7. Kako biste spriječili požar ili strujni udar, uređaj mora biti zaštićen od žarišta, kiše, vlage i

9. Nemojte da uređaj izlažite jakim magnetskim poljima.
10. Nemojte da uređaj stavljajte izravno na pojačalu ili prijammiku.
11. Ne postavljajte uređaj na vlažnom mjestu, jer vlaga ima štetan učinak na električne komponente.
12. Dovođenje uređaja iz hladnog u toplo vlažnom mjestu može uzrokovati kondenzaciju na leći unutar playera. U ovom slučaju, uređaj neće raditi ispravno. Uređaj se mora ostaviti uključen oko jedan sat kako bi se omogućilo isparavanje vlage.
13. Izbjegavajte korištenje kemijskih otapala, jer mogu oštetiti boju kućišta. Uređaj se obriše čistom, suhom ili vlažnom krpom.
14. Prilikom uklanjanja utikača iz zidne utičnice, uvijek povucite utikač, a ne kabel.
15. Kada uređaj se koristi u blizini uključenog televizora, ovo može biti izvor buke ili slike u obliku linije na zaslonu uređaja. Ovo ovisi o propusnosti emitiranja valova. To ne označava kvar uređaja ili televizora, ako vidite takve linije, pomaknite uređaj dalje od TV prijemnika.
16. Mrežni utikač se upotrebljava za isključivanje napajanja zato mora biti uvijek na raspolaganju.
17. Da bi ostala laserska glavu za čitanje CD-ploča čista, ne dirajte nju i uvijek zatvorite ulagač diska.
18. Tijekom reprodukcije, disk rotira velikom brzinom. NEMOJTE dizati ili pomicati uređaj tijekom reprodukcije, jer to može dovesti do oštećenja diska ili samog uređaja.
19. Prije premještanja urešaja na drugo mjesto ili za vrijeme za prelazak, izvadite disk i zatvorite ulagač diska. Zatim isključite napajanje i izvucite naponski kabel. Premještanje uređaja s diskom u ulagaču može uzrokovati štetu.
20. Nakon reproduciranja disk treba da bude smješten u paketu. Ne izlažite diskove izravnom sunčevom svjetlu i izvorima topline. Ne ostavljajte ploče u automobilu parkiranom na izravnom suncu.
21. Nikad ne dirajte disk sa strane bez naljepnice. Držite rub ploče, da ne ostaviti otiske prstiju. Prašina, otisci prstiju ili ogrebotine diskova mogu uzrokovati pogrešan rad uređaja. Ne lijepite ljepljivu traku na disk. 
22. Za čišćenje diska koristite čistu krpu bez dlačica. Počnite s čišćenjem o linearnom kretanju od središta prema rubu ploče, koristeći sredstva za čišćenje ili antistatička sredstva za vinilne ploče. 
23. Da biste spriječili mogući gubitak sluha, ne slušajte glasno glazbu kroz duže vrijeme. 



UPOZORENJE: IZVOR ZRAČENJA

CLASS 1 LASER PRODUCT
 LUOKAN 1 LASERLAITE
 KLASS 1 LASERAPPARAT

Ova oznaka ukazuje na to da unutar uređaja se nalaze laserski komponenti. Otvaranje poklopca CD pretinca i izostavljanje bravi može uzrokovati izlaganje korisnika laserskom zračenju. Ne gledajte u lasersku zraku za vrijeme rada.

PRIJE POSLA

Napomene o diskovima.

Priljavi, oštećeni ili deformirani diskovi mogu uzrokovati oštećenja na uređaju, obratite pozornost na sljedeće:



NAPOMENA**Izjava**

Niže navedenim Blaupunkt Competence Center 2N-Everpol Sp. z o.o. izjavljuje da je ovaj proizvod u skladu sa zahtjevima i drugim relevantnim odredbama Direktive 2014/53/EU. Za potpunu Izjavu o sukladnosti posjetite stranicu www.blaupunkt.com na kartici proizvoda. Odgovorni subjekt: 2N-Everpol Sp. Z o.o.

Puławska 403A, 02-801 Varšava, Poljska

Telefon: +48 22 331 99 59, e-mail: info@everpol.pl



Proizvod je izrađen od visokokvalitetnih materijala i dijelova koji se mogu reciklirati i ponovo upotrijebiti.



Ako vaš uređaj ima znak prekrížene kante za otpatke, ovo označava da je proizvod pokriven odredbama Europske direktive 2012/19/EU. Molimo poštujujte zahtjeve lokalnog sustava za prikupljanje električnog otpada i elektroničke opreme. Radite u skladu s lokalnim propisima. Ne bacajte ovaj proizvod zajedno s kućnim otpadom. Ispravnim odlaganjem starog proizvoda spriječit ćete potencijalne negativne posljedice na okoliš i zdravlje ljudi.



Uređaj je opremljen sa baterijama obuhvaćenim Europskom direktivom 2013/56/EU. Baterije se ne smije odlagati zajedno s komunalnim otpadom. Molimo pogledajte lokalne propise o zasebnom prikupljanju baterija jer ispravnim odlaganjem spriječit ćete potencijalne negativne posljedice na okoliš i zdravlje ljudi.

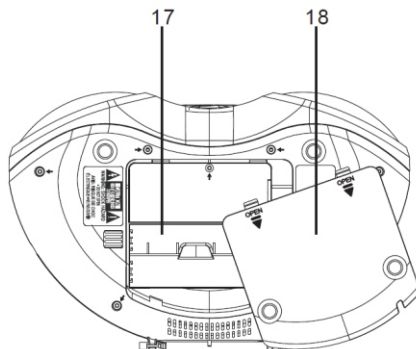
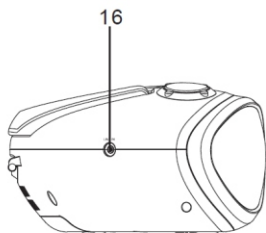
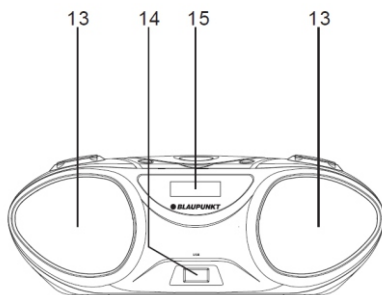
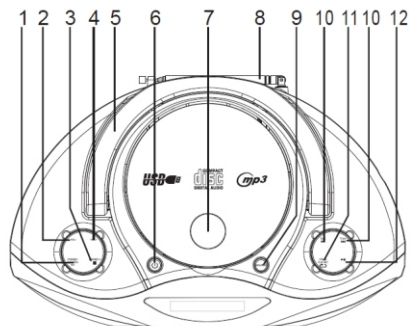
Informacije o zaštiti okoliša

Paket uključuje samo nužne komponente. Svaki napor je napravljen da bit tri sastavni komponenti paketa lako odvojili: karton (kutija), polistirenska pjena (zaštita unutra) i polietilen (vrećica, zaštitna folija). Uređaj je izrađen od materijala koje se može reciklirati i ponovo upotrijebiti nakon demontaže od strane specijalizirane tvrtke. Poštujte lokalne propise o raspolaganju iskorišćenih ambalažnih materijala, baterija i nepotrebne opreme. Snimanje i reprodukcija materijala može zahtijevati pristanak. Vidi Zakon o autorskim pravima i prava izvođača/umjetnika.

Napomena o ERP2 (oprema koja se odnosi na energiju)

Ovaj ekodizajnirani uređaj zadovoljava zahtjeve 2. faze Uredbe Komisije (EZ) br. 1275/2008 kojom se provodi Direktivu 2009/125/EZ o potrošnji energije od strane isključenih i elektroničkih uređaja ili uređaja u modu čekanja za uredsku i kućnu uporabu.

Položaj upravljačkih tipki



Položaj upravljačkih tipki

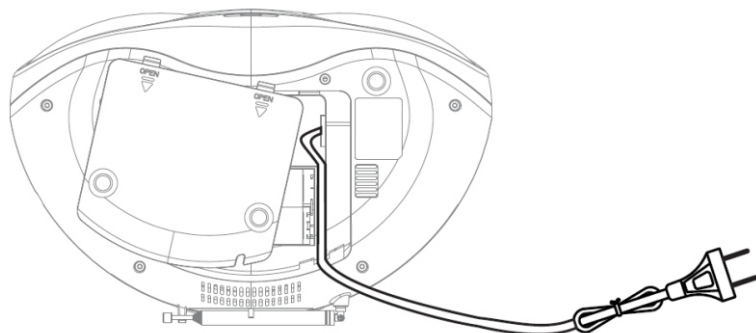
- 1 – Preset - / mapa+ / tipka +10;
- 2- Tipka glasnoće - ;
- 3- PRESET + / zaustavljanje;
- 4- Tipka glasnoće + ;
- 5- Držać;
- 6- Tipka načina pripravnosti;
- 7- Poklopac CD;
- 8- FM antena,
- 9- Tipka izvora zvuka;
- 10- Tipka podešavanja Tune +/- 10 i prethodni / sljedeći;
- 11- Tipka podešavanja / sat / ponavljanje
- 12- Tipka reprodukcije / pauze;
- 13- Zvučnik;
- 14- USB
- 15- Zaslون;
- 16- Ulaz vanjskog izvora zvuka;
- 17- Pretinac za baterije 16 (kabel napajanja skriveni unutar);
- 18- Poklopac pretinca za baterije

AC napajanje: otvorite poklopac pretinca za baterije i uklonite kabel za napajanje; onda se ga mora potpuno razviti i staviti kroz rupu na poklopcu pretinca za bateriju; zatvorite poklopac pretinca za baterije. Uključite kabel za napajanje u zidnu utičnicu kako biste dobili moć, a zatim se uključi zaslon. Napajanje od baterija se automatski isključuje ako je dostupno omrežno napajanje.

DC napajanje (akumulatorsko napajanje): otvorite poklopac pretinca za baterije i umetnite 6 baterija UM2 / 1,5V (nisu uključeni u setu) u skladu s ugraviranim simbolom pozitivnog i negativnog polariteta. Zatim zatvorite pretinac za baterije.

Primjedbe:

- a. Imajte na umu da je kabel za napajanje fiksiran i skriven unutar pretinca za baterije.
- b. Zvuk će biti iskrivljen zbog prazne baterije ili niske napunjenosti baterije, u takvom slučaju mora se baterije zamijeniti novima. Baterije treba odlagati na ekološki prihvatljiv način, u skladu sa zahtjevima lokalnih vlasti.
- c. Nemojte instalirati baterije različitih proizvođača. kako bi se izbjeglo curenje tekućine, izvadite baterije ako se uređaj ne koristi za dugo vremena.



Podešavanje sata

Ako nakon priključavanja napajanja zaslon je uključen, ovo znači da je uređaj u stanju pripravnosti za rad. Pritisnite i držite tipku za podešavanje sata 2 sekunde, znamenke sata počnu treptati na zaslonu; kratko pritisnite Tune +/- za podešavanje sata; ponovno kratko pritisnite tipku podešavanja sata za potvrdu i prolazak unaprijed se podešavanje minuta; postavite minute pomoću tipke Tune +/- i kratko pritisnite tipku za podešavanje sata da biste dovršili podešavanje vremena.

Primjedbe:

- Uređaj podržava samo vrijeme u formatu 24 sata.
- Sat radi samo u slučaju AC ili DC napajanja. Ponovno podesite sat u slučaju prekida u napajanju.
- Nakon 5 sekundi u načinu reprodukcije, na zaslonu će se automatski nastaviti prikazivanje sata.

Rukovanje CD

Uređaj može reproducirati CD snimljene u CD / CD-R / CD-RW / MP3 formatu. Prije igranja najprije provjerite format CD i provjerite je li CD čist i neoštećen.

Reprodukcija CD ploča: Otvorite poklopac CD i umetnite CD, a zatim zatvorite poklopac. Pritisnite tipku pripravnosti za uključanje uređaja; pritisnite tipku za odabir izvora za uključivanje CD moda; tada uređaj čita CD i automatski ga reproducira.

U modu reprodukcije CD ploče, pritisnite +/- za podešavanje glasnoće; pritisnite tipku za reprodukciju / pauzu za pauzu ili nastavak reprodukcije; pritisnite tipku za zaustavljanje za zaustavljanje reprodukcije; kratko pritisnite tipku prethodni ili sljedeći za odabir zapisa, pritisnite i držite za brzo premotavanje naprijed ili natrag; pritisnite gumb za ponavljanje da biste ponovili jedan zapis / ponovili sve / ponovili mapu za reprodukciju; kratko pritisnite tipku 10+ za odabir sljedećih 10 pjesama; pritisnite tipku mape+ za 2 sekunde da biste prešli na sljedeću mapu kada postoje barem 2 mape (samo za Mp3).

Programiranje reprodukcije (do 20 pjesama na CD-u i 99 pjesama na MP3 disku): pritisnite tipku za zaustavljanje za zaustavljanje reprodukcije CD ploče; pritisnite tipku za podešavanje za početak programiranja; prikazuju se "P01" i "PROG"; pritisnite tipku prethodni ili sljedeći za prebacivanje i odabir pjesme koju želite programirati, zatim pritisnite tipku za podešavanje za potvrdu odabira; pjesma će biti spremljena kao P01. Ponovite dok se na zaslonu ne pojavi "P20" ili "P99", što znači da je programirana memorija puna. Pritisnite tipku reprodukcije / pauza za reprodukciju unaprijed postavljenih pjesama; otvorite poklopac CD ili dvaput pritisnite tipku za pauzu za poništavanje i brisanje unaprijed postavljenih postavki reprodukcije.

Podrška FM radija

Prije uporabe radija, potpuno razviti FM antenu i pokušajte postaviti uređaj pored prozora radi boljeg prijema signala.

Skeniranje i automatsko skeniranje: pritisnite tipku Tune +/- za određivanje FM frekvencije, pritisnite i držite 2 sekunde da biste automatski pretražili dostupne postaje prema gore ili dolje; pritisnite i držite tipku za programiranje 2 sekunde za automatsko skeniranje i spremanje dostupnih postaja (maksimalni broj pohranjenih je 40). Pritisnite tipku Preset +/- za automatsko odabiranje ili promjenu pohranjene postaje.

Ručno programiranje: Prilikom podešavanja svoje omiljene postaju pomoću tipke Tune +/-, najprije pritisnite tipku za podešavanje; zatim pritisnite tipku prethodni ili sljedeći za odabir željenog broja na kojem želite spremi trenutnu postaju, a zatim pritisnite tipku za podešavanje da biste potvrdili odabir. Ponovite gornje korake da biste spremili preostale postaje.

Reprodukcija iz USB memorije

Prije nego što počnete reprodukciju USB kopirajte MP3 audio datoteke na USB memoriju (podržava se uređaje sa maksimalnim kapacitetom do 32 GB), a zatim ispravno umetnite USB memoriju u USB priključak. Uključite uređaj i pritisnite tipku nekoliko puta za odabir izvora, nakon ulaska u USB način uređaj će automatski dekodirati audio datoteku i pokrenuti reprodukciju.

U USB načinu rada pritisnite tipku za reprodukciju / pauzu za pauzu ili nastavak reprodukcije; pritisnite tipku za zaustavljanje za zaustavljanje reprodukcije; kratko pritisnite tipku prethodni ili sljedeći za odabir zapisa, pritisnite i držite za brzo premotavanje naprijed ili natrag; Pritisnite gumb za ponavljanje da biste ponovili jednu pjesmu / ponovili sve zapise / ponovili reprodukciju mape; kratko pritisnite tipku 10+ za prebacivanje do 10 sljedećih zapisa, pritisnite tipku mape+ za 2 sekunde da biste prešli na sljedeću mapu kada postoje barem 2 mape.

Napomena:

- Ne preporuča se uporabe produžnog kabela za povezivanje USB uređaja jer ovo može uzrokovati prekide tijekom reprodukcije.
- Nije zajamčeno da će svi USB uređaji biti podržani zbog njegovih različitih konstrukcija i proizvođača.
- Nije zajamčeno da će sve MP3 datoteke biti reproducirane ispravno.

Način AUX IN / Linearni ulaz / MP3 Link

Koristite 3,5 mm audio kabel za pripajanje LINE IN priključnice na stražnjoj ploči uređaja na audio izlaz od vanjskog uređaja (npr. MP3 igrač, itd.). Uključite uređaj i pritisnite tipku za odabir izvora za ulaz u LINE IN mod; Odaberite i reproducirajte glazbu s vanjskog uređaja, a zvuk će se reproducirati pomoću zvučnika ovog uređaja. Imajte na umu da glavnu kontrolu se izvodi iz vanjskog uređaja, a glasnoću se može podesiti na ovom uređaju.

Specifikacija

Napajanje: AC 230V / 50Hz;

DC napajanje 9V (6 kom. x UM2, 1.5V, baterije nisu uključene u setu);

FM frekvencija: 87.5 ~ 108.0 MHz;

Izlazna snaga: RMS: 2 x 1Watt;

Izlazni napon USB memorije: 5V / 100Ma;

Specifikacije USB priključka: memorija do 32 GB, MP3 audio;

Optika CD pogona: 3 poluvodičke laserske zrake;

Potrošnja energije: 12W

Potrošnja energije u stanju mirovanja: <1 W

(Gore navedena specifikacija može se promijeniti bez prethodne najave)

Rješavanje problema

1. Uređaj se ne može uključiti.

- a. Provjerite je li DC napajanje pravilno priključeno.
- b. Za bilo kakve probleme obratite se servisnom centru.

2. Radio postaja zvuči loše.

- a. Pomaknite uređaj blizu prozora ili podesite smjer antene radi boljeg prijema.
- b. Pokušajte prebaciti na drugu postaju.
- c. Za bilo kakve probleme obratite se servisnom centru.

3. Uređaj ne može čitati CD ili USB memoriju.

- a. Provjerite je li CD ili audio datoteka ispravna.
- b. Za bilo kakve probleme obratite se servisnom centru.

INSTRUCȚIUNI IMPORTANTE REFERITOARE LA SIGURANȚĂ



AVERTISMENT



PERICOL DE ELECTROCUTARE NU DESCHIDEȚI

Instrucțiuni importante referitoare la siguranță

Avertisment:

Pentru a diminua riscul de electrocutare, nu demontați capacul sau partea din spate a dispozitivului. În interiorul dispozitivului nu există elemente care să poată fi reparate de utilizator. De mentenanța și repararea echipamentului se ocupă exclusiv angajații calificați ai service-ului.

Explicarea simbolurilor grafice:



Simbolul fulgerului terminat cu o săgeată, plasat într-un triunghi echilateral, avertizează utilizatorul împotriva unei „tensiuni periculoase” neizolate în carcasa dispozitivului, care poate atinge dimensiunea pericolului de electrocutare.



Semnul exclamării într-un triunghi echilateral avertizează utilizatorul că în acest moment sunt prezentate informații importante referitoare la operarea și mentenanța echipamentului în documentația anexată la dispozitiv.

Rugăm să citiți aceste instrucțiuni înainte de a trece la operarea dispozitivului, să vă familiarizați cu funcțiile acestuia și să le folosiți conform destinației. Acest lucru va asigura o operare de lungă durată și fără avarii a dispozitivului, precum și plăcerea de a-l utiliza.

Informații importante

- Instrucțiunile de operare și informațiile referitoare la siguranță trebuie păstrate în scopul folosirii lor în viitor.
- Nu permiteți ca pe dispozitiv să picure sau să se verse vreun lichid.
- Nu îl folosiți în locuri umede, cum ar fi de ex. sala de baie.
- Dispozitivul nu poate fi montat în următoarele locuri:
- Expus la lumina directă a soarelui sau în apropierea caloriferelor.
- Plasat deasupra unui alt dispozitiv stereofonic care emite căldură.
- Blocând ventilația sau într-un loc prăfuit.
- În locuri expuse la vibrații constante.
- În locuri cu umiditate ridicată.
- Nu așezați dispozitivul în apropierea lumânărilor sau a focului deschis.
- Dispozitivul poate fi folosit exclusiv în modul descris în instrucțiunile de mai jos.
- Înainte de prima pornire, asigurați-vă că sursa de alimentare este conectată în mod corespunzător.
- Stick-urile USB se conectează direct sau folosind un prelungitor USB cu lungime de până la 25 cm.

Din motive de securitate, nu demontați carcasele și nu încercați să accesați interiorul dispozitivului. Dispozitivul trebuie reparat de personalul calificat din service.

Nu demontați și nu deschideți carcasa, deoarece în interior nu există elemente ce ar putea fi reparate de utilizator. De mentenanța și repararea echipamentului se ocupă exclusiv angajații

INSTRUCȚIUNI REFERITOARE LA SIGURANȚĂ

1. Citiți instrucțiunile – înainte de utilizarea dispozitivului, citiți în întregime instrucțiunile de utilizare, precum și informațiile referitoare la siguranță.
2. Urmați instrucțiunile – păstrați instrucțiunile de utilizare și operare în scopul folosirii lor în viitor.
3. Respectați avertismentele – procedați conform tuturor avertismentelor plasate pe dispozitiv, precum și conform instrucțiunilor de utilizare.
4. Urmați instrucțiunile – procedați conform instrucțiunilor de operare și indicațiilor pentru utilizator.
5. Instalare – setați dispozitivul conform instrucțiunilor producătorului.
6. Surse de alimentare – dispozitivul trebuie alimentat exclusiv de la surse cu parametrii indicați în marcasele de pe cablul de alimentare. Dacă utilizatorul nu este sigur de tipul de alimentare de care dispune acasă, trebuie să contacteze vânzătorul dispozitivului sau furnizorul local de energie electrică.
7. Împământarea sau polarizarea alimentării – dispozitivul nu trebuie să fie împământat. Trebuie să vă asigurați că ștecherul este introdus complet în priză sau în prelungitor pentru a nu permite expunerea bolțurilor sau a contactelor. Unele versiuni ale dispozitivului pot fi echipate cu ștecher polarizat de curent alternativ (cu un singur bolț mai larg). Acest ștecher poate fi introdus în priza de rețea doar într-un singur mod. Aceasta este o funcție de protecție. Dacă ștecherul nu poate fi introdus în priză, trebuie încercată rotirea acestuia. Dacă ștecherul în continuare nu se potrivește la priză, trebuie solicitată înlocuirea acestui ștecher de către un electrician. Nu scoateți elementele de protecție din ștecherul polarizat. Când utilizați un prelungitor sau un cablu de alimentare altul decât cel furnizat împreună cu dispozitivul, acestea trebuie să aibă ștecherule corespunzătoare, precum și atestatul de securitate necesar în țara dată.
8. Protecția cablului de alimentare – cablurile de alimentare trebuie plasate astfel încât să nu poată fi călcate, presate sau tăiate de obiectele din jur. Acordați o atenție deosebită ștecherelor, prizelor de rețea și locurilor în care cablurile sunt direcționate de la dispozitiv.
9. Supraîncărcare – Nu supraîncărcați prizele de perete, prelungitoarele și repartitoarele electrice, deoarece acest lucru poate provoca incendii sau electrocutări.
10. Ventilație – dispozitivul trebuie să fie corect ventilat. Dispozitivul nu poate fi pus pe pat, sofa sau suprafețe similare. Nu acoperiți dispozitivul cu fețe de masă, șervețele, ziare, ș.a..
11. Căldură – nu plasați dispozitivul în apropierea unor surse de căldură, precum calorifere, radiatoare, sobe sau alte dispozitive (de asemenea amplificatoare) care generează căldură. Nu puneți pe dispozitiv lumânări aprinse și alte surse de foc deschis.
12. Apă și umezeală – pentru a reduce riscul de incendiu sau electrocutare, nu expuneți dispozitivul la ploaie, apă și umiditate directă, ca de ex. în saună sau baie. Nu folosiți dispozitivul în apropierea apei, de exemplu lângă cadă, lavoar, chiuveta de bucătărie, într-o pivniță umedă sau în apropierea unei piscine (sau în locuri similare).
13. Obiecte și lichide în dispozitiv – nu trebuie forțate niciun fel de obiecte prin deschiderile dispozitivului, deoarece acestea pot să intre în contact cu punctele de tensiune periculoasă și cu componentele, ceea ce poate provoca incendiu sau electrocutare. În niciun caz nu vărsați niciun fel de lichide pe suprafața dispozitivului. Nu puneți pe suprafața dispozitivului obiecte ce conțin lichide.
14. Curățarea – scoateți întotdeauna dispozitivul din priză înainte de curățare. Praful din jurul difuzorului poate fi îndepărtat cu o cârpă uscată. Dacă se utilizează un aerosol pentru curățare, nu îndreptați jetul de pulverizare direct spre dispozitiv, ci spre cârpă. Aveți grijă să nu deteriorați unitățile de comandă.
15. Echipare suplimentară – nu folosiți accesorii care nu sunt aprobate de producător, deoarece pot constitui un pericol.
16. Accesorii – nu așezați dispozitivul pe un cărucior, postament, stativ, suport sau masă instabile. Dispozitivul se poate răsturna sau deteriora și poate provoca vătămări grave copiilor sau persoanelor adulte. Folosiți numai cărucioare, postamente, stative, suporturi

17. Mutarea dispozitivului – dispozitivul plasat pe cărucior trebuie deplasat cu multă grijă. Oprirea bruscă, forța prea mare sau suprafețele neuniforme pot provoca răsturnarea căruciorului împreună cu dispozitivul.
 18. Perioada de nefolosire a dispozitivului – cablul de alimentare al dispozitivului trebuie deconectat de la priza de rețea în timpul furtunilor cu descărcări atmosferice sau când dispozitivul nu va fi folosit pentru o perioadă mai lungă de timp.
 19. Servisare – nu încercați să serviți singur dispozitivul. Deschiderea capacului poate duce la contactul cu o tensiune periculoasă și poate expune utilizatorul la alte pericole. De mentenanța și repararea echipamentului se ocupă exclusiv angajații calificați ai service-ului.
 20. Când dispozitivul nu este utilizat, ștecherul de alimentare trebuie deconectat de la priza de rețea. Când dispozitivul este conectat la sursa de alimentare, se află în regim de stand by și nu este complet închis.
 21. Piese de schimb – la înlocuirea pieselor, trebuie verificat dacă angajatul service-ului a folosit piesele de schimb recomandate de producător sau dacă aceste piese sunt identice cu cele originale. Înlocuirea cu piese neaprobate poate duce la incendii, electrocutare sau alte pericole.
 22. Siguranțele principale – pentru a proteja în mod continuu dispozitivul împotriva incendiului, trebuie folosite siguranțe de tip și parametri corecți. Parametrii siguranțelor în acest interval sunt marcați pe dispozitiv.
 23. Nu măriți volumul când ascultați o parte dintr-un cântec înregistrat cu volum redus sau în cazul lipsei semnalului audio de început. În caz contrar se poate ajunge la deteriorarea difuzorului în momentul creșterii rapide a intensității semnalului.
 24. Singurul mod de a deconecta complet dispozitivul de la sursa de alimentare este deconectarea cablului de alimentare din priza de alimentare sau din dispozitiv. Priza de rețea sau intrarea cablului de alimentare în dispozitiv trebuie să fie mereu accesibile în timpul utilizării produsului.
 25. Dispozitivul trebuie amplasat în apropierea unei prize de perete sau a unui cablu prelungitor și astfel încât să fie mereu accesibil.
 26. Temperatura maximă ambiantă pentru dispozitiv este de 35°C.
 27. Instrucțiuni referitoare la descărcările electrostatice – dacă funcționarea dispozitivului este perturbată de descărcări electrostatice, acesta trebuie oprit și repornit sau mutat în alt loc.
 28. Bateria
 - a. Bateriile nu pot fi expuse la căldură excesivă, cum ar fi razele de soare, foc, ș.a.
 - b. Când aruncați bateriile, acordați atenție aspectelor legate de protecția mediului.
 - c. Avertisment referitor la folosirea bateriei: pentru a nu permite pierderea etanșeității bateriei, ceea ce poate provoca vătămări corporale sau deteriorare a dispozitivului:
 - În timpul introducerii bateriei, respectați polaritatea acesteia (+ și -).
 - Nu folosiți în același timp baterii diferite — vechi și noi, baterii standard și alcaline, ș.a.
- Scoateți bateriile din dispozitiv, atunci când acesta nu este folosit pentru o perioadă mai lungă.

ATENȚIE

Dispozitivul nu trebuie folosit de persoanele (inclusiv copiii) cu capacități fizice, senzoriale sau mentale reduse, precum și de persoanele cu cunoștințe și experiență insuficiente, în cazul în care nu se află sub supravegherea unei persoane responsabile pentru siguranța lor și nu au fost instruite cum să folosească dispozitivul în condiții de siguranță. Prezența persoanelor adulte este necesară, dacă dispozitivul este folosit de copii; aceasta va permite o folosire în condiții de siguranță a dispozitivului.

1. Nu lăsați dispozitivul nesupravegheat în timpul funcționării! Dispozitivul trebuie închis când nu este folosit, chiar și pentru o perioadă scurtă de timp.
2. Dispozitivul nu poate fi folosit prin intermediul unui temporizator extern și nici cu ajutorul unui sistem separat cu comandă de la distanță.

4. Înainte de a începe deservirea dispozitivului, trebuie verificat dacă tensiunea acestuia corespunde tensiunii din rețeaua locală de alimentare.
5. Nu acoperiți orificiile de ventilație ale dispozitivului cu ziere, fețe de masă, draperii, ș.a. Trebuie să vă asigurați că deasupra dispozitivului există cel puțin 20 cm de spațiu liber, iar pe fiecare parte a acestuia – cel puțin 5 cm.
6. Nu permiteți ca pe dispozitiv să picure sau să se verse vreun lichid, nu plasați pe acesta obiecte pline cu lichid, cum ar fi vasele.
7. Pentru a evita incendiile sau electrocutarea, dispozitivul trebuie protejat împotriva locurilor fierbinți, ploii, umezelii și prafului.
8. Nu așezați dispozitivul în apropierea oricărei surse de apă, de ex. robinete, căzi, mașini de spălat sau piscine. Dispozitivul trebuie plasat pe o suprafață dreaptă și stabilă.
9. Nu expuneți dispozitivul la câmpuri magnetice puternice.
10. Nu așezați dispozitivul direct pe amplificator sau amplituner.
11. Nu așezați dispozitivul într-un loc umed, deoarece umiditatea are efect dăunător asupra componentelor electrice.
12. După mutarea dispozitivului dintr-un loc rece către un loc cald sau un loc umed, se poate forma condens pe lentila din interiorul playerului. În această situație dispozitivul nu va funcționa corect. Lăsați dispozitivul să funcționeze aproximativ o oră pentru a permite evaporarea umidității.
13. Nu curățați dispozitivul cu solvenți chimici, deoarece aceștia pot distruge lacul carcasei. Dispozitivul se curăță cu o cârpă curată, uscată sau ușor umezită.
14. Când scoateți ștecherul din priză, trageți întotdeauna de ștecher, niciodată de cablul de alimentare.
15. Când dispozitivul pornit este folosit în apropierea televizorului care funcționează, acesta poate fi o sursă de interferență în imagine, sub forma de linii pe ecran. Aceasta depinde de benzile de unde ale transmisiei tv. Aceasta nu înseamnă o funcționare defectuoasă a dispozitivului sau televizorului. Dacă astfel de linii sunt vizibile, dispozitivul trebuie îndepărtat de televizor.
16. Ștecherul de rețea este folosit pentru deconectarea de la tensiunea de alimentare și trebuie să fie mereu accesibil.
17. Pentru a menține capul laserului de citire CD-uri în stare de curățenie, acesta nu trebuie atins și trebuie întotdeauna închis compartimentul de discuri.
18. În timpul folosirii, discul se rotește cu viteză mare. NU ESTE VOIE să ridicați sau să mutați dispozitivul în timpul funcționării, deoarece acest lucru poate duce la deteriorarea discului sau a dispozitivului în sine.
19. Înainte de a muta dispozitivul în alt loc sau pe perioada mutării trebuie scos discul și închis compartimentul de discuri. Apoi trebuie oprită alimentarea și deconectat cablul de alimentare. Mutarea dispozitivului cu discul aflat în compartiment poate provoca deteriorarea acestuia.
20. După redarea discului, acesta trebuie plasat în ambalaj. Nu expuneți discurile la acțiunea directă a razelor solare și a sursei de căldură. Nu lăsați discurile în interiorul automobilului parcat în plin soare.
21. Nu atingeți partea fără etichetă a discului. Țineți discul de margine, pentru a nu lăsa amprente. Praful, amprente sau zgârieturile discurilor pot fi motivul unei funcționări incorecte a player-ului. Nu lipiți hârtițe sau benzi autocolante pe disc.
22. Pentru curățarea discului folosiți o cârpă curată, care nu lasă scame. Începeți curățarea printr-o mișcare rectilinie de la mijlocul discului spre margine, folosind în acest scop agenți de curățare general disponibili sau agenți antistatici pentru discurile de vinil.
23. Pentru a preveni eventuala pierdere de auz, nu ascultați muzică la volum ridicat pentru perioade lungi de timp.



AVERTISMENT: SURSĂ DE RADIAȚIE

CLASS 1 LASER PRODUCT
 LUOKAN 1 LASERLAITE
 KLASS 1 LASERAPPARAT

Această etichetă înseamnă că în interiorul dispozitivului se află componente laser. Deschiderea capacului compartimentului de discuri CD și ocolirea dispozitivului de blocare va expune utilizatorul la acțiunea radiațiilor laserului. Nu priviți fasciculul de laser în timpul funcționării dispozitivului.

ÎNAINTE DE ÎNCEPEREA FUNCȚIONĂRII
Remarci: referitoare la discurile compacte.

Deoarece discurile murdare, deteriorate sau deformate pot provoca deteriorarea dispozitivului, trebuie acordată atenție următoarelor elemente:

- a. Discurile compacte care pot fi utilizate. Pot fi utilizate numai discurile indicate mai jos.
- b. Discuri CD exclusiv cu sunet audio digital.

COMPACT
disc
 DIGITAL AUDIO

ATENȚIE



Declarație

Prin prezenta Blaupunkt Competence Center 2N-Everpol Sp. z o.o. [SRL] declara că acest dispozitiv este în conformitate cu cerințele și alte dispoziții corespunzătoare ale directivei 2014/53 / UE. Declarația completă de conformitate poate fi obținută pe pagina www.blaupunkt.com în secția produsului.

Entitate responsabilă: 2N-Everpol Sp. Z o.o.
 Puławska 403A, 02-801 Varșovia, Polonia
 Telefon: +48 22 331 99 59, e-mail: info@everpol.pl



Produsul a fost realizat din materiale și componente de înaltă calitate, ce pot fi reciclate și reutilizate.



Dacă pe dispozitiv se află semnul coșului de gunoi tăiat, aceasta înseamnă că produsul se înscrie în dispozițiile directivei europene 2012/19/EU. Trebuie citite cerințele referitoare la sistemul local de colectare a deșeurilor electrice și electronice. Respectați reglementările locale. Nu aruncați acest produs împreună cu deșeurile menajere obișnuite. Eliminarea corectă a produsului vechi va preveni potențialele consecințe negative pentru mediu și sănătatea umană.



Dispozitivul este echipat cu baterii care fac obiectul directivei europene 2013/56/EU. Bateriile nu pot fi aruncate împreună cu deșeurile menajere. Consultați reglementările locale privind colectarea separată a bateriilor, deoarece eliminarea corectă va împiedica potențialele consecințe negative pentru mediul natural și sănătatea umană.

Informații privind protecția mediului înconjurător

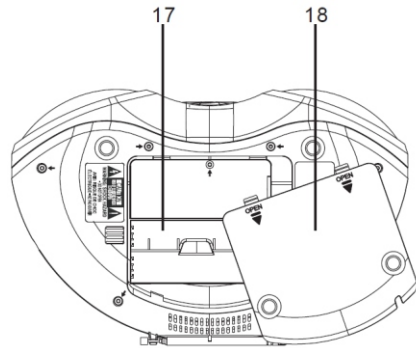
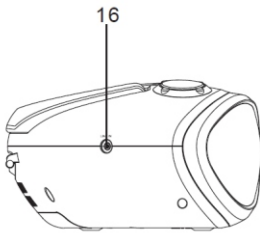
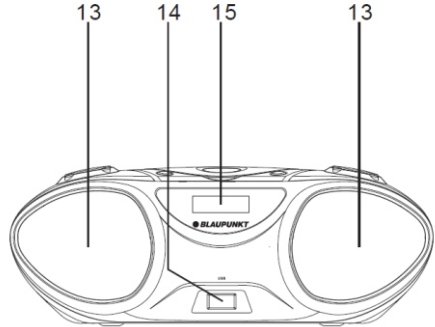
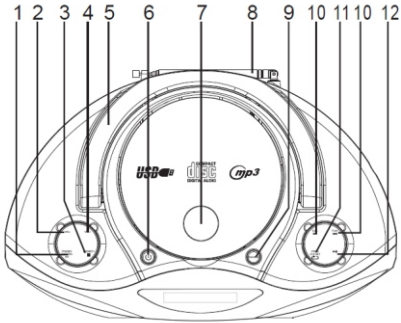
Ambalajul conține doar elementele necesare. S-au făcut toate eforturile ca cele trei materiale componente ale ambalajului să fie ușor de separat: cutia de carton (cutia), spuma de polistiren (protecție interioară) și polietilena (pungi, folie protectoare). Dispozitivul a fost produs din materiale ce pot fi reciclate și reutilizate după demontarea lor de către o firmă specializată. Trebuie respectate reglementările locale referitoare la eliminarea materialelor de ambalare, bateriilor folosite și a echipamentelor inutile.

Înregistrarea și redarea materialelor poate necesita obținerea unei autorizații. Consultați legea referitoare la drepturile de autor și drepturile executanților / artiștilor.

Remarcă referitoare la ERP2 (dispozitive legate de energie)

Prezentul dispozitiv cu ecoproiect îndeplinește cerințele etapei 2 din Regulamentul Comisiei (CE) nr 1275/2008 care introduce directiva 2009/125/CE referitoare la consumul de energie al dispozitivelor electronice de birou și de uz casnic, închise sau aflate în regim de stand by.

Localizarea elementelor de control



Localizarea elementelor de control

- 1 - Preset - / fișier + / buton + 10
- 2- Buton Volum -
- 3- Buton Preset + / oprire;
- 4- Buton Volum +;
- 5- Suport;
- 6- Buton modul de așteptare;
- 7- Capacul unității CD;
- 8- Antena FM;
- 9 - Buton de selectare a sursei audio;
- 10- Buton de reglare Tune +/- și anterior / următor;
- 11- Buton de programare / ceas/ repetare
- 12- Buton de redare / pauză;
- 13- Difuzor;
- 14- USB
- 15-Afișaj;
- 16- Intrare pentru sursă exterioară de sunet;
- 17- Compartimentul pentru baterii (cablu de alimentare în interior);
- 18- Capacul compartimentului pentru baterii;

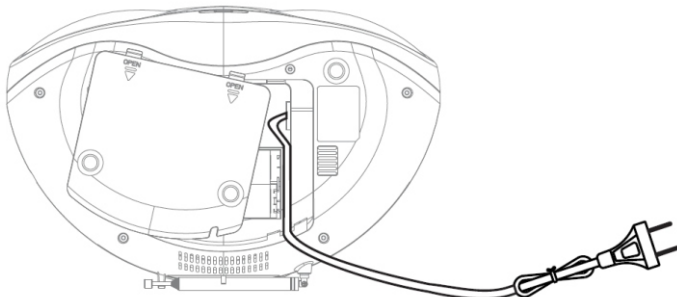
Sursă de alimentare și conectare

Alimentare AC: deschideți capacul compartimentului pentru baterii și scoateți cablul de alimentare; Apoi, extindeți-l complet și plasați-l prin orificiul din capacul compartimentului pentru baterii; Închideți capacul compartimentului pentru baterii. Introduceți ștecherul cablului de alimentare în priză AC pentru alimentare, apoi afișajul se va aprinde. Alimentarea de la baterii va fi deconectată automat atunci când este disponibilă o sursă de alimentare.

Alimentare DC (de la baterii): deschideți capacul compartimentului pentru baterii și introduceți 6 baterii UM2 / 1,5V (nu sunt incluse în set) în funcție de simbolul polarității pozitive și negative gravate. Apoi, închideți compartimentul pentru baterii.

Note:

- a. Rețineți că cablul de alimentare este fixat și ascuns în interiorul compartimentului pentru baterii.
- b. Sunetul va fi distorsionat din cauza nivelului scăzut de încărcare a bateriilor sau încărcării reduse, înlocuiți bateriile cu altele noi. Bateriile trebuie depozitate într-o manieră ecologică, respectați cerințele autorităților locale.
- c. Nu instalați baterii de la diferiți producători; pentru a evita scurgerile de lichid, scoateți bateriile dacă nu folosiți dispozitivul o perioadă mai îndelungată.



Setarea ceasului

Dacă la pornirea alimentării afilajul este activ, aceasta înseamnă că dispozitivul este în modul de așteptare. Apăsați și țineți apăsat timp de 2 secunde butonul de setare a ceasului, cifrele de oră vor clipi pe afișaj; apăsați scurt butonul Tune +/- pentru a seta ora; apăsați scurt din nou butonul de setare a ceasului pentru a confirma setarea și a trece la setarea minutelor; setați minutele utilizând butonul Tune +/- și apăsați scurt butonul de setare a ceasului pentru a termina setarea orei.

Note:

- Este acceptat doar formatul de 24 de ore.
- Ceasul este disponibil numai pentru alimentare cu curent AC sau DC. Resetați timpul de funcționare a ceasului în cazul unei căderi de tensiune.
- După 5 secunde în modul de redare a sunetului pe afișaj va fi reluată automat afișarea ceasului.

Operare CD

Dispozitivul poate reda CD-uri înregistrate în format CD / CD-R / CD-RW / MP3. Înainte de redare, verificați mai întâi formatul CD-ului și asigurați-vă că CD-ul este curat și nedeteriorat.

Redarea unui CD: Deschideți capacul unității CD și introduceți CD-ul, apoi închideți capacul. Apăsați butonul de așteptare pentru a porni dispozitivul; apăsați butonul de selectare a sursei pentru a activa modul CD; apoi unitatea va citi CD-ul și îl va reda automat.

În modul redare CD, apăsați volumul +/- pentru a regla volumul sunetului; apăsați butonul de redare / pauză pentru a întrerupe sau a relua redarea; apăsați butonul stop pentru a opri redarea; apăsați scurt butonul anterior sau următor pentru a selecta o melodie, apăsați și mențineți apăsat pentru a derula înainte sau înapoi piesa; apăsați butonul de repetare pentru a repeta o piesă / repetați tot / repetați fișierul de redare;

Apăsarea scurtă a butonului 10+ face posibilă selectarea și redarea fiecărei a 10 melodii; Apăsați butonul de fișier + timp de 2 secunde pentru a comuta la următorul fișier când există cel puțin 2 fișiere (numai în cazul CD-urilor în format MP3).

Programarea redării (până la 20 de piese pe un CD și 99 de piese pe un disc MP3): Apăsați butonul stop pentru a opri redarea CD-ului; apăsați butonul de programare pentru a începe programarea; Pe afișaj sunt afișate "P01" și "PROG"; apăsați butonul anterior sau următor pentru a comuta și a selecta melodia pe care doriți să o programați, apoi apăsați butonul de programare pentru a confirma selecția; piesa va fi salvată ca P01. Repetați acțiunea până când pe afișaj apare "P20" sau "P99", ceea ce înseamnă că memoria programată este plină. Apăsați butonul de redare / pauză pentru a reda melodiile presetate; Deschideți capacul unității CD sau apăsați de două ori butonul de pauză pentru a anula și șterge setările prestabilite de redare.

Operare radio FM

Înainte de a utiliza radioul, extrageți complet antena FM și încercați să plasați dispozitivul lângă fereastră pentru o recepție mai bună a semnalului.

Scanarea și scanarea automată: apăsați butonul Tune +/- pentru a regla treptat frecvența FM, apăsați și mențineți apăsat timp de 2 secunde pentru a căuta automat postul de radio disponibil în sus sau în jos pe bandă; Apăsați și țineți apăsat butonul de programare timp de 2 secunde pentru a scana și salva automat posturile disponibile (numărul maxim de posturi presetate este de 40). Apăsați butonul Preset +/- pentru a selecta sau modifica postul presetat în modul automat.

Programarea manuală a posturilor de radio: După găsirea postului dvs. preferat folosind butonul Tune +/-, apăsați mai întâi butonul de programare; apoi apăsați butonul anterior sau următor pentru a selecta numărul dorit în care doriți să salvați postul curent, apoi apăsați butonul de programare pentru a confirma selecția. Repetați pașii de mai sus pentru a salva celelalte posturi de radio.

Operarea redării USB

Înainte de a reda un fișier USB, copiați fișierul audio MP3 pe un dispozitiv de memorie USB (dispozitive compatibile cu o capacitate maximă de până la 32 GB) și apoi plasați corect memoria USB în slotul USB. Porniți dispozitivul și apăsați repetat butonul de selectare a sursei pentru a intra în modul USB, dispozitivul decodifică automat fișierul audio și începe redarea acestuia.

În modul USB, apăsați butonul de redare / pauză pentru a întrerupe sau a relua redarea; apăsați butonul stop pentru a opri redarea; apăsați scurt butonul anterior sau următor pentru a selecta o melodie, apăsați și mențineți apăsat pentru a derula înainte sau înapoi piesa; Apăsați butonul de repetare pentru a repeta o piesă / a repeta toate piesele / repetați redarea fișierului; apăsați scurt butonul 10+ pentru a face posibilă următoarelor 10 piste, apăsați scurt butonul fișier + timp de 2 secunde pentru a comuta la următorul fișier când există cel puțin 2 fișiere.

Notă:

- Utilizarea unui cablu prelungitor pentru conectarea dispozitivului USB nu este recomandată, deoarece poate provoca întreruperi în timpul redării
- Nu garantăm faptul că toate dispozitivele USB vor fi suportate datorită construcțiilor și producătorilor diferiți.
- Nu vă garantăm că toate fișierele MP3 vor fi redade corect.

Operarea modului AUX IN / Intrării liniare / MP3 Link

Utilizați un cablu audio de 3,5 mm pentru a conecta mufa LINE IN de pe panoul din spate al dispozitivului cu ieșire audio de la un player extern (de ex. Player MP3, etc.). Porniți dispozitivul și apăsați butonul de selectare a sursei, pentru a intra în modul LINE IN: Selectați și redați muzică de la playerul extern și sunetul va fi redat utilizând difuzoarele acestui aparat. Rețineți că controlul principal este efectuat de pe playerul extern, iar volumul poate fi ajustat prin intermediul acestui dispozitiv.

Specificații

Sursă de alimentare: AC 230V / 50Hz;
Alimentare DC 9V (6 buc. x UM2, 1.5V, bateriile nu sunt incluse în set);
Frecvență FM: 87,5 ~ 108,0 MHz;
Putere de ieșire RMS: 2 x 1 Watt;
Tensiunea de ieșire USB: 5V / 100Ma;
Parametrii portului USB: memorie de până la 32 GB, fișiere audio MP3;
Unitate optică CD: 3 fascicule laser semiconductoare;
Consum de energie: 12W
Consum de energie în modul de așteptare: <1W
(specificațiile de mai sus pot fi modificate fără o notificare prealabilă)

Soluționarea problemelor

- Dispozitivul nu poate fi pornit.
 - Asigurați-vă că alimentarea DC este conectată corect.
 - Contactați un centru de service pentru orice probleme.
- Postul de radio se aude rău.
 - Mutați dispozitivul lângă fereastră sau reglați direcția antenei pentru o recepție mai bună.
 - Încercați să treceți la un alt post de radio.
 - Contactați un centru de service pentru orice probleme.
- Dispozitivul nu poate citi CD-ul sau memoria USB.
 - Verificați dacă CD-ul sau fișierul audio sunt corecte.
 - Contactați un centru de service pentru orice probleme.

ВАЖНИ ИНСТРУКЦИИ ЗА БЕЗОПАСНОСТ



ОПАСНОСТ ОТ ТОКОВ



УДАР
НЕ ОТВАРЯЙ

Важни инструкции за безопасност

Внимание:

За да се намали рискът от токов удар, не се разрешава демонтиране на капака, дори и на задната част на устройството. В самото устройство няма елементи, предназначени за самостоятелно ремонтване от потребителите. С обслужване и ремонтване на оборудването се занимават единствено квалифицирани служители на сервиза.

Обяснение на графичните символи:



Светкавица, завършваща със стрелка, в равностранен триъгълник предупреждава потребителя за неизолирано „опасно“ напрежение около устройството, което напрежение може да има размери, заплашващи с токов удар.



Удивителният знак в равностранен триъгълник предупреждава потребителя, че в този момент в документацията, прикачена към устройството, се предоставя важна информация за обслужването и запазването на оборудването.

Моля, прочетете тази инструкция, преди да пристъпите към обслужване на устройството, за да се запознаете с неговите функции и да го използвате съгласно неговото предназначение. Това ще Ви осигури дълготрайно, безаварийно обслужване на устройството и удоволствие от използването му.

Важна информация

- Запазете инструкцията за ползване, както и информацията за безопасност, с цел използване в бъдеще.
- Да не се допуска прокапване или протичане на течност върху устройството.
- Също да не се използва на влажни места като например в баня.
- Да не се инсталира това устройство на следните места:
- Изложени на непосредствено действие на слънчеви лъчи или близо до радиатори.
- Да не се поставя на повърхността на друго стереофонично оборудване, което отделя топлина.
- Ако ще блокира вентилация или в прашно помещение.
- На места, изложени на постоянна вибрация.
- На места с висока влажност.
- Да не се поставя устройството близо до свещи или открит огън.
- Устройството може да се използва единствено по начина, описан в настоящата инструкция.
- Преди първото включване на захранването трябва да се уверите, че зарядното устройство е включено правилно.
- USB паметта се свързва непосредствено или с помощта на USB кабел с дължина до 25 см.

От съображения за сигурност да не се демонтират конструкциите, както и да не се осигурява достъп до вътрешността на устройството. Забранено е отварянето на устройството, както и отварянето на неговата конструкция, тъй като вътре няма части, които биха могли да бъдат поправени от потребителя. С обслужването и поправката на оборудването се занимават единствено квалифицирани служители на сервиза.

ИНСТРУКЦИИ ЗА БЕЗОПАСНОСТ

1. Прочетете инструкцията – преди употреба прочетете цялата инструкция за обслужване, както и информацията за безопасност.
2. Запазете инструкцията – запазете инструкцията за употреба и обслужване с цел по-нататъшно използване.
3. Спазвайте предупрежденията – постъпвайте съгласно с всички предупреждения, поместени на устройството и съгласно с инструкцията за употреба.
4. Спазвайте инструкциите – постъпвайте съгласно с инструкцията за употреба и насоките за потребителя.
5. Инсталация - настройвайте устройството в съответствие с инструкциите на производителя.
6. Източници на захранване - захранвайте устройството само от източници с параметри, посочени на захранващия кабел. Ако не сте сигурни каква енергия имате въкъси, трябва да се свържете с продавача на устройството или местния доставчик на електрическа енергия.
7. Заземяване или поляризация на захранването – устройството не трябва да бъде заземявано. Уверете се, че щепселът е изцяло пъхнат в електрическата мрежа или удължителния кабел, за да не се откриват щифтовете или контактите. Някои версии на устройството могат да бъдат оборудвани с поляризиран адаптер за променлив ток (с по-широк щифт). Този щепсел може да бъде вкаран в гнездото само по един начин. Това е функция за обезопасяване. Ако не можете да поставите щепсела в гнездото, опитайте да го обърнете. Ако щепселът все още не се побира в гнездото, поискайте от електротехник да го смени. Не изваждайте предпазителите от поляризираните щепсел. Ако използвате удължителен кабел или захранващ кабел, различен от този, предоставени с устройството, той трябва да има съответните щепсели и одобрения за безопасност, изисквани в дадената страна.
8. Обезопасяване на захранващия кабел - Захранващите кабели трябва да бъдат насочвани така, че да не може да се стъпва по тях, да не бъдат притискани или прерязани от поставени върху тях предмети. Обърнете специално внимание на щепселите, контактите и мястото, където кабелите се извеждат от устройството.
9. Претоварване - Не претоварвайте стенните контакти, удължителите и електро-разпределителите, тъй като това може да доведе до пожар или токов удар.
10. Вентилация - устройството трябва да бъде охлаждано правилно. Не поставяйте устройството на легло, диван или подобни повърхности. Не покривайте уреда с покривки, салфетки, вестници и др.
11. Топлина - не поставяйте устройството в близост до източници на топлина като радиатори, лъчеви нагреватели, печки или други уреди (включително топлинни генератори), които произвеждат топлина. Не поставяйте запалени свещи или друг открит огън върху устройството.
12. Вода и влага - За да намалите риска от пожар или токов удар, не излагайте устройството на пряк дъжд, вода или влага, например в сауната или в банята. Не използвайте това устройство близо до вода като вана, мивка, кухненска мивка или вана, в мокро помещение или в близост до плувен басейн (или на подобни места).
13. Предмети и течности в устройството - не вкарвайте предмети през отворите на устройството, тъй като могат да влязат в контакт с опасни точки и компоненти на напрежение, което може да доведе до пожар или токов удар. При никакви обстоятелства не трябва да разливате течности по повърхността на устройството. Не поставяйте върху устройството предмети, съдържащи течности.
14. Почистване - Преди почистване винаги изключвайте устройството от контакта. Прахът около високоговорителя може да премахнете с помощта на суха кърпа. Ако за почистването ще използвате аерозол, не насочвайте пръскачката директно към устройството, а към кърпата. Внимавайте да не повредите задвижващите устройства.
15. Допълнително оборудване - Не използвайте аксесоари, които не са одобрени от производителя, тъй като те могат да представляват риск.

16. Аксесоари - Не поставяйте устройството върху нестабилна количка, стойка, статив, конзола или маса. Устройството може да се преобърне и повреди, както и може да причини сериозни наранявания у деца или възрастни. Използвайте само колички, стойки, стативи, конзоли и маси, определени от производителя или продавани заедно с устройството. Сглобете уреда съгласно инструкциите на производителя, като използвате монтажния комплект, препоръчан от производителя.
17. Преместване на устройството - устройството, поставено на количката, трябва да се премества много внимателно. Внезапно спиране, твърде голяма сила или неравна повърхност може да доведе до преобръщане на количката заедно с устройството.
18. Период на неизползване на устройството - Изключете захранващия кабел от контакта по време на гръмотевични бури, или когато не използвате уреда за по-дълъг период от време.
19. Обслужване - не се опитвайте самостоятелно да правите преглед на устройството. Отварянето на капака може да доведе до опасно напрежение и да изложи потребителя на други опасности. С консервация и ремонтиране на оборудването се занимават единствено квалифицирани служители на сервиза.
20. Когато устройството не е в употреба, извадете захранващия кабел от контакта. Когато устройството е свързано към източник на захранване, то е в режим на готовност и не е напълно изключено.
21. Резервни части - при подмяна на части се уверете, че техникът е използвал препоръчаните от производителя резервни части или също, че частите са идентични с оригиналните. Подмяната с неодобрени части може да доведе до пожар, токов удар или други опасности.
22. Главни предпазители - за да предпазите устройството за постоянно от пожар, използвайте предпазители от съответния тип и параметри. Параметрите на предпазителя в даден обхват на напрежение са обозначени на устройството.
23. Не увеличавайте силата на звука, когато слушате част от песен с ниска сила на звука или при липсата на входен аудио сигнал. В противен случай при бързото увеличаване на силата на сигнала може да се стигне до повреда на високоговорителя.
24. Единственият начин за напълно изключване на устройството от източника на захранване е да изключите захранващия кабел от контакта или от устройството. Винаги, когато използвате устройството, трябва да има достъпен захранващ контакт или захранващ кабел.
25. Устройството трябва да се постави близо до контакт или удължителен кабел и така, че да е винаги достъпно.
26. Максималната температура на околната среда на устройството е 35 °С.
27. Инструкции за електростатично разреждане - ако работата на устройството е прекъсната от електростатичен разряд, изключете уреда и повторно включете устройството или го преместете на друго място.
28. Батерия
 - a. Не излагайте батериите на прекомерна топлина като например слънчеви лъчи, огън и др.
 - б. Когато използвате батериите, обърнете внимание на изискванията за опазване на околната среда.
 - в. Предупреждение за използване на батерията: За да не се стигне до изтичане на батерията, което може да доведе до нараняване или повреда на устройството: При поставяне на батерията, обърнете внимание на нейните полюси (+ и -). Не използвайте едновременно различни батерии - стари и нови, стандартни и алкални и др. Извадете батериите от устройството, ако няма да го използвате за по-дълъг период от време.

ВНИМАНИЕ

Устройството не трябва да се използва от хора (включително деца) с намалени физически, сензорни или психически способности и лица с недостатъчни познания и опит, освен ако не са под наблюдението на лице, отговорно за тяхната безопасност и не са инструктирани как безопасно да използват устройството. Необходимо е присъствие на възрастни, ако устройството се използва от деца; това ще осигури безопасно използване на устройството.

1. Не оставяйте устройството без надзор! Изключвайте устройството, когато не го използвате, дори и за кратко време.
2. Не включвайте устройството чрез външен часовник, нито чрез отделна система за дистанционно управление.
3. За да избегнете опасност при повреда на захранващия кабел, подмяната трябва да се извърши от производителя, от упълномощен сервизен център или от друго квалифицирано лице.
4. Преди да използвате уреда се уверете, че напрежението му съответства на напрежението на местното захранване.
5. Не покривайте вентилационните изходи, например с вестници, покривки, завеси и др. Уверете се, че над устройството има най-малко 20 см свободно пространство и от всяка страна на уреда - най-малко 5 см.
6. Не допускайте да капят или да се разливат течности или не поставяйте предмети, съдържащи течности като например вази.
7. За да избегнете пожар или токов удар, предпазвайте устройството от горещи места, дъжд, влага и прах.
8. Не поставяйте устройството близо до водоизточници като кранове, вани, перални машини или плувни басейни. Поставете устройството на равна и стабилна повърхност.
9. Не излагайте устройството на силни магнитни полета.
10. Не поставяйте устройството директно върху усилвателя или приемника.
11. Не поставяйте устройството на влажно място, тъй като влагата има вреден ефект върху електрическите компоненти.
12. При внасяне на устройството от студено на топло или на влажно място, може да се образува конденз върху обектива вътре в плейъра. В този случай устройството няма да работи правилно. Оставете включения уред в продължение на около един час, за да може влагата да се изпари.
13. Не почиствайте устройството с химически разтворители, тъй като те могат да повредят лаковото покритие на конструкцията. Избършете устройството с чиста, суха или леко влажна кърпа.
14. Когато изваждате щепсела от контакта, винаги издърпвайте щепсела, а не захранващия кабел.
15. Когато устройството е включено в близост до телевизор, то може да е източник на смущения под формата на линии на екрана. Това зависи от дължината на телевизионната вълна. Не означава неизправност на устройството или телевизора. Ако видите такива линии, преместете устройството далеч от телевизора.
16. Захранващият щепсел се използва за изключване на захранващото напрежение и трябва да е винаги на разположение.
17. За да запазите лазерната глава за четене на CD чиста, не я докосвайте и винаги затваряйте гнездото за дискове.
18. По време на възпроизвеждане дискът се върти при висока скорост. НЕ повдигайте и не премествайте устройството, когато е в режим на работа, тъй като това може да повреди диска или самото устройство.
19. Преди да преместите устройството на друго място или по време на преместването, извадете диска и затворете гнездото за дискове. След това изключете захранването и извадете захранващия кабел. Преместването на устройството с диск в гнездото за дискове може да повреди устройството.
20. След използване на диска, го поставете в опаковката. Не излагайте диска на пряка слънчева светлина и топлина. Не оставяйте дисковете в кола, паркирана на слънце. Не докосвайте страната на диска без етикет. Хващайте дисковете за техния край, за да не оставите отпечатъци. Прахът, отпечатъците от пръсти или драскотините по диска могат да причинят неизправност на плейъра. Не лепете лепенки или самозалепващо тиксо по диска.
22. Почиствайте диска с чиста кърпа, която не оставя влакна. Започвайте с праволинейно движение от средата на диска до неговия край, като за целта използвайте обичайните почистващи препарати или антистатични средства за винилови дискове.



23. За да предотвратите евентуална загуба на слух, не слушайте силна музика в продължение на дълги периоди от време.



ВНИМАНИЕ: ИЗТОЧНИК НА РАДИАЦИЯ

CLASS 1 LASER PRODUCT
LUOKAN 1 LASERLAITE
KLASS 1 LASERAPPARAT

Този етикет означава, че вътре в устройството има лазерни компоненти. Отварянето на капака на гнездото за дискове и заобикалянето на защитните блокади ще изложи потребителя на лазерно лъчение. Не гледайте лазерния лъч, докато устройството работи.

ПРЕДИ ДА ЗАПОЧНЕТЕ РАБОТА

Забележки: относно компактни дискове.

Тъй като мръсните, повредени или деформирани дискове могат да доведат до повреда в устройството, обърнете внимание на следното:

- Компактни дискове, които можете да използвате. Може да използвате само долупосочените компактни дискове.
- Само CD с цифров аудио звук.



ВНИМАНИЕ



Декларация

С настоящото Blaupunkt Competence Center 2N-Everpol Sp. z o.o. декларира, че това устройство отговаря на изискванията и други приложими разпоредби на Директива 2014/53 / на ЕС. Пълната декларация за съответствие може да бъде намерена на www.blaupunkt.com в раздела за продукти.

Отговорно лице: 2N-Everpol Sp. Z o.o.
Puławska 403A, 02-801 Warszawa, Polska
Телефон: +48 22 331 99 59, e-mail: info@everpol.pl



Продуктът е произведен от висококачествени материали и компоненти, които могат да бъдат рециклирани и повторно използвани.



Ако на устройството има знак със задраскано кошче за отпадъци, това означава, че продуктът е обхванат от Европейската директива 2012/19 / ЕС. Запознайте се с изискванията на местната система за събиране на електрически и електронни отпадъци. Следвайте местните разпоредби. Не изхвърляйте този продукт заедно с обикновените битови отпадъци. Правилното изхвърляне на стария продукт ще предотврати потенциални негативни последици за околната среда и човешкото здраве.

Устройството е оборудвано с батерии, които са част от европейска директива 2013/56/ЕС. Не изхвърляйте батериите заедно с битови отпадъци. Запознайте се с изискванията на местната система за събиране на батерии, тъй като правилната употреба на стария продукт ще предотврати потенциални негативни последици за околната среда и човешкото здраве.

Информация за опазване на околната среда

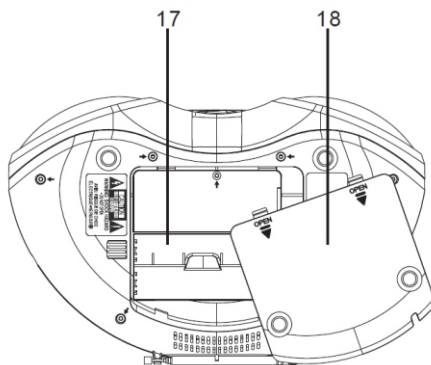
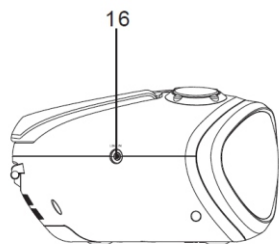
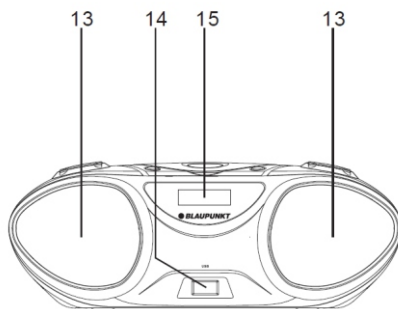
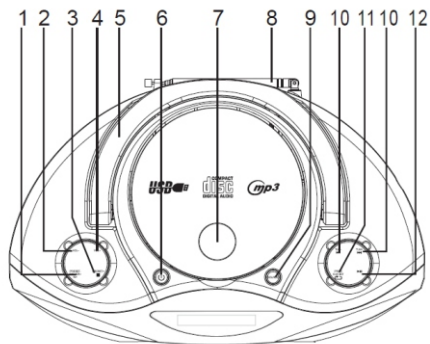
Пакетът съдържа само необходимите елементи. Положени са всички усилия, за да се гарантира, че трите компонента на опаковката са лесни за разделяне: картонена кутия, полистиролова пяна (вътрешна защита) и полиетилен (торбички, защитен лист). Устройството е изработено от материали, които могат да бъдат рециклирани и повторно използвани, след като се демонтират от специализирана фирма. Спазвайте местните разпоредби за изхвърляне на опаковъчни материали, отпадъчни батерии и ненужно оборудване.

Записването и възпроизвеждането на материали може да изисква съгласие. Вижте Закона за авторските права и правата на изпълнителите/ артистите.

Забележка относно ERP2 (на устройства, свързани с енергопотребление)

Настоящото устройство с екопроекта отговаря на изискванията на етап 2 от Регламента на Комисията (ЕО) № 1275/2008 за прилагане на Директива 2009/125 / ЕО относно консумацията на енергия от електроуреди за офиса и дома.

Разположение на елементите за управление



Разположение на елементите за управление

- 1 - Preset - / папка + / бутон + 10
- 2- Бутон Сила на звука -
- 3- Бутон Preset + / спиране;
- 4- Бутон Сила на звука +;
- 5- Ръкохватка;
- 6- Бутон за режим готовност;
- 7- Капак на CD;
- 8- Антена FM;
- 9 - Бутон за избор на източника на звук;
- 10- Бутон настройки Tune +/- и предишно / следващо;
- 11- Бутон за програмиране / часовник / повтаряне
- 12- Бутон за възпроизвеждане / пауза;
- 13- Високоговорител;
- 14- USB
- 15-Дисплей;
- 16- Вход за външен източник на звук;
- 17- Гнездо на батериите (захранващият кабел е прибран вътре);
- 18- Капак на гнездото на батериите;

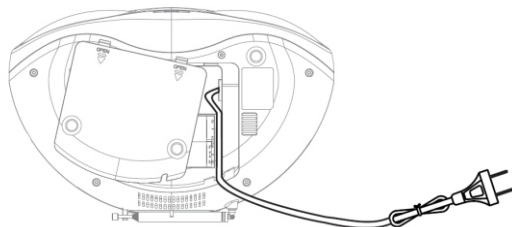
Източник на захранване и свързване

Захранване AC: отворете капака на гнездото на батериите и извадете захранващия кабел; след това го развийте и го пхнете през отвора в капака на гнездото на батериите; затворете капака на гнездото на батериите. Поставете щепсела на захранващия кабел в стенното мрежово гнездо AC, след което ще се включи дисплеят. Когато свържете мрежовото захранване, батерийното захранване автоматично ще бъде изключено.

Захранване DC (акумулаторно захранване): отворете капака на гнездото на батериите и поставете 6 батерии от тип UM2 / 1,5V (не са приложени в комплекта) в съответствие с означенията на положителния и отрицателния полус. След това затворете гнездото на батериите.

Забележки:

- a. Не бива да забравяте, че захранващият кабел е монтиран и прибран вътре в гнездото на батериите.
- b. Звукът ще бъде смущаван поради изтощената батерия или ниското ниво на нейното зареждане, тогава следва да подмените батериите с нови. Батериите да се съхраняват в съответствие с разпоредбите в тази област, по начин, благоприятен за околната среда.
- c. Не бива да поставяте батерии от различни производители; за да избегнете изтичане на електролит, трябва да извадите батериите, ако през по-продължителен период от време не използвате уреда.



Настройка на часовника

Когато след включване на захранването дисплеят е включен, това означава, че уредът е в режим готовност за работа. Натиснете и задръжте бутона за настройка на часовника за ок. 2 секунди, цифрите на часа ще започнат да мигат; натиснете краткотрайно бутон Tune +/-, за да настроите часа; отново краткотрайно натиснете бутона за настройка на часовника, за да потвърдите избора и да преминете към настройка на минутите; настройте минутите с помощта на бутон Tune +/- и краткотрайно натиснете бутона за настройка на часовника, за да завършите настройката на времето.

Забележки:

- Обслужван е само 24-часов формат.
- Часовникът е достъпен само при захранване AC или DC. В случай на прекъсване на захранването трябва отново да настроите часовника.
- След 5 секунди в режим възпроизвеждане на звук върху дисплея автоматично ще бъде възобновено показването на часовника.

Обслужване на CD

Устройството може да възпроизвежда CD дискове, записани във формат CD / CD-R / CD-RW / MP3. Преди да започнете възпроизвеждането, първо трябва да проверите формата на CD и да се уверите, че дискът CD е чист и неповреден.

Възпроизвеждане на CD: отворете капака на CD устройството и поставете диска, след което затворете капака. Натиснете бутона за режим готовност, за да включите устройството; натиснете бутона за избор на източник, за да включите режим CD; тогава устройството ще прочете CD диска и автоматично ще го възпроизведе.

В режим за възпроизвеждане на CD натиснете сила на звука +/-, за да регулирате силата на звука; натиснете бутона за възпроизвеждане/пауза, за да спрете или да продължите възпроизвеждането; натиснете бутона за спиране, за да спрете възпроизвеждането; натиснете краткотрайно предишния или следващия бутон, за да изберете музикалното произведение, натиснете го и задръжте, за да превъртите бързо песента напред или назад; натиснете бутона за повтаряне, за да повторите едно музикално произведение / всички музикални произведения / да повторите възпроизвеждането на папката; Кратко натискане на бутон 10+ позволява избор възпроизвеждане на всяко 10 музикално произведение; натиснете бутон папка + в продължение на 2 секунди, за да превключите възпроизвеждане на поредна папка, когато са достъпни поне 2 папки (само в случай на MP3).

Програмиране на възпроизвеждането (до 20 произведения на CD диска и 99 произведения на дискове MP3):

натиснете бутона за спиране, за да спрете възпроизвеждането на CD; натиснете бутона за програмиране, за да започнете програмирането; върху дисплея ще се появят символите "P01" и "PROG"; натиснете бутона за предишно или следващо произведение, за да изберете музикалното произведение, което искате да програмирате, а след това натиснете бутона за програмиране, за да потвърдите избора; музикалното произведение ще бъде записано като P01. Повтаряйте тази дейност, докато върху дисплея се появи "P20" или "P99", което означава, че програмираната памет е пълна. Натиснете бутона за възпроизвеждане / пауза, за да възпроизведете програмираните произведения; отворете капака на CD устройството или натиснете двукратно бутона за спиране, за да анулирате и изтриете програмираните настройки за възпроизвеждане.

Обслужване на радио FM

Преди да започнете обслужване на радиото, трябва да изтеглите цялата антена FM и да опитате да поставите устройството близо до прозореца, за да има по-добър сигнал.

Сканиране и автоматично сканиране: натискайте бутона за настройки Tune +/-, за да настроите постепенно честотата FM, натиснете и задръжте в продължение на 2 секунди, за да претърсите автоматично достъпната станция нагоре или надолу по честотната лента; натиснете и задръжте бутона за програмиране за ок. 2 секунди, за да сканирате автоматично и да запишете достъпните станции (максималният брой програмирани станции е 40). Натиснете бутон Preset +/-, за да изберете или да промените програмираната в автоматичен режим станция.

Ръчно програмиране на радиостанция: След настройка на любимата радиостанция с помощта на бутона Tune +/- натиснете първо бутона за програмиране; след което натиснете бутона за предишно или следващо произведение, за да изберете желаните номер, под който искате да запишете текущата радиостанция, след това натиснете бутона за програмиране, за да потвърдите избора. Повтаряйте описаните по-горе дейности, за да запишете останалите радиостанции.

Обслужване на възпроизвеждане от USB

Преди да започнете операцията по възпроизвеждане на файловете от USB, трябва да копирате аудио файла MP3 в паметта USB (обслужване на устройства с максимален капацитет на паметта до 32 GB), след което трябва правилно да поставите паметта USB в гнездото USB. Включете устройството и натиснете няколкократно бутона за избор на източник, за да влезете в режим USB, устройството автоматично ще декодира аудио файла и ще включи неговото възпроизвеждане.

В режим за възпроизвеждане от USB натиснете бутона възпроизвеждане / пауза, за да спрете или да продължите възпроизвеждането; натиснете бутона за спиране, за да спрете възпроизвеждането; натиснете краткотрайно бутона за предишно или следващо произведение, за да изберете музикалното произведение, натиснете го и задръжте, за да превъртите бързо песента напред или назад; Натиснете бутона за повтаряне, за да повторите едно музикално произведение / всички музикални произведения / да повторите възпроизвеждането на папката; Кратко натискане на бутон 10+ позволява избор възпроизвеждане на всяко 10 музикално произведение; натиснете бутон папка + в продължение на 2 секунди, за да превключите възпроизвеждане на поредната папка, когато са достъпни поне 2 папки.

Забележка:

- а. Използването на удължител за включване на USB устройство не се препоръчва, тъй като може да доведе до смущения по време на възпроизвеждането
- б. Не се гарантира, че всички USB устройства ще бъдат обслужвани поради разликите в конструкциите на различните производители.
- в. Не се гарантира, че всички файлове MP3 ще бъдат правилно обслужвани.

Обслужване на режим AUX IN / Линеен вход/ MP3 Link

С помощта на аудио кабел 3,5 mm свържете гнездото LINE IN върху задния панел на устройството с изхода на аудио сигнала на външния плейър (напр. плейър MP3 и др.). Включете устройството и натиснете бутона за избор на източник, за да влезете в режим LINE IN; Изберете и възпроизвеждайте музика от външния плейър, а звукът ще бъде възпроизведен от високоговорителите на този плейър. Трябва да обърнете внимание, че главното управление се извършва с помощта на външен плейър, а в това устройство може да се регулира силата на звука.

Спецификация

Източник на захранване: AC 230V / 50Hz;

Захранване DC 9V (6 бр. x UM2, 1,5V, батериите не са включени в комплекта);

Честота FM: 87,5 ~ 108,0 MHz;

Изходна мощност RMS: 2 x 1W;

Изходно напрежение USB: 5V / 100 mA;

Параметри на USB порта: обслужване на памети до 32 GB, аудио файлове MP3;

Оптика на CD: 3 полупроводникови лазерни лъча;

Консумация на мощност: 12W

Консумация на мощност в режим готовност: <1W

(спецификацията на устройството може да бъде променена без предизвестие)

Решаване на проблеми

1. Устройството не може да се включи.

a. Вижте, дали захранването DC е правилно свързано.

b. Свържете се със сервизен център при наличие на проблеми.

2. Радиостанцията не звучи добре.

a. Преместете устройството близо до прозореца или регулирайте посоката на антената, за да получите по-добър сигнал.

b. Опитайте да включите друга радиостанция.

c. В случай на проблеми се свържете със сервизен център.

3. Устройството не може да чете диска CD или USB паметта.

a. Проверете, дали дискът CD или аудио файлът са правилни.

b. В случай на проблеми се свържете със сервизен център.

ΣΗΜΑΝΤΙΚΕΣ ΠΛΗΡΟΦΟΡΙΕΣ ΣΧΕΤΙΚΑ ΜΕ ΤΗΝ ΑΣΦΑΛΕΙΑ



ΠΡΟΕΙΔΟΠΟΙΗΣΗ



ΚΙΝΔΥΝΟΣ ΗΛΕΚΤΡΟΠΛΗΞΙΑΣ ΜΗΝ ΑΝΟΙΓΕΤΕ

Σημαντικές πληροφορίες σχετικά με την ασφάλεια

Προειδοποίηση:

Για να μειώσετε τον κίνδυνο ηλεκτροπληξίας, δεν επιτρέπεται να αποσυναρμολογήσετε το κάλυμμα ούτε το οπίσθιο μέρος της συσκευής. Μέσα στη συσκευή δεν υπάρχουν εξαρτήματα προορισμένα για επισκευή από τον χρήστη. Η συντήρηση και η επισκευή του εξοπλισμού εκτελείται αποκλειστικά από τους εξουσιοδοτημένους υπαλλήλους σέρβις.

Εξηγήσεις γραφικών συμβόλων



Το σύμβολο αστραπής με το βέλος στην άκρη της μέσα στο ισόπλευρο τρίγωνο προειδοποιεί τον χρήστη από μη μονωμένη, "επικίνδυνη ηλεκτρική τάση" στο περίβλημα της συσκευής που μπορεί να έχει την τιμή η οποία προκαλεί ηλεκτροπληξία.



Το σύμβολο θαυμαστικού στο ισόπλευρο τρίγωνο προειδοποιεί τον χρήστη ότι σε αυτό τον τύπο των τεκμηριώσεων που συνάπτεται στη συσκευή, παρουσιάζονται σημαντικές πληροφορίες σχετικά με τον χειρισμό και τη συντήρηση της συσκευής.

Παρακαλούμε να διαβάσετε αυτές τις οδηγίες χρήσης πριν αρχίσετε να χειρίζεστε τη συσκευή, για να γνωρίσετε τις λειτουργίες της και να τη χρησιμοποιήσετε σύμφωνα με τον προορισμό της. Έτσι διασφαλίζετε τον διαρκή χειρισμό της συσκευής χωρίς βλάβες και απόλαυση από τη χρήση της συσκευής.

Σημαντικές πληροφορίες

- Πρέπει να κρατήσετε τις οδηγίες χρήσης και τις πληροφορίες σχετικά με την ασφάλεια με σκοπό τη μελλοντική χρήση τους.
- Μην επιτρέψτε κανένα υγρό να στάξει ή να χυθεί στη συσκευή.
- Δεν επιτρέπεται να χρησιμοποιήσετε τη συσκευή σε μέρη με υγρασία όπως π.χ. μπάνιο.
- Δεν επιτρέπεται να εγκαταστήσετε αυτή τη συσκευή στα ακόλουθα μέρη:
- Μέρη εκτεθειμένα στην άμεση ακτινοβολία ή κοντά σε θερμάστρες.
- Μην τοποθετείτε πάνω στη συσκευή άλλο εξοπλισμό στερεό που εκπέμπει θερμότητα.
- Όπου μπλοκάρεται ο εξαερισμός ή σε μέρος με σκόνη.
- Σε μέρη εκτεθειμένα σε συνεχείς δονήσεις.
- Σε μέρη με μεγάλη υγρασία.
- Δεν επιτρέπεται να τοποθετήσετε τη συσκευή δίπλα σε κεριά και ανοιχτή φλόγα.
- Μπορείτε να χρησιμοποιήσετε τη συσκευή με τον τρόπο που περιγράφεται στις παρούσες οδηγίες χρήσης.
- Πριν από την πρώτη ενεργοποίηση, πρέπει να βεβαιωθείτε ότι το τροφοδοτικό είναι κατάλληλα συνδεδεμένο.

Η μνήμη USB συνδεδεμένη άμεσα ή με επέκταση USB μήκους έως 25 cm.

Για λόγους ασφαλείας δεν επιτρέπεται να αποσυναρμολογήσετε το περίβλημα ούτε να έχετε πρόσβαση στο μέσο της συσκευής. Η συσκευή πρέπει να επισκευαστεί από το εξειδικευμένο προσωπικό του σέρβις.

Δεν επιτρέπεται να ξεβιδώσετε τη συσκευή ούτε να ανοίξετε το περίβλημά της, γιατί μέσα δεν υπάρχουν εξαρτήματα που μπορεί να επισκευαστούν από τον χρήστη. Η συντήρηση και η επισκευή του εξοπλισμού εκτελείται αποκλειστικά από τους εξουσιοδοτημένους υπαλλήλους σέρβις.

ΣΗΜΑΝΤΙΚΕΣ ΠΛΗΡΟΦΟΡΙΕΣ ΣΧΕΤΙΚΑ ΜΕ ΤΗΝ ΑΣΦΑΛΕΙΑ


1. Διαβάστε τις οδηγίες χρήσης – πριν χρησιμοποιήσετε τη συσκευή πρέπει να διαβάσετε όλες τις οδηγίες χρήσης και τις πληροφορίες για την ασφάλεια.
2. Φυλάξτε τις οδηγίες χρήσης – πρέπει να φυλάξετε τις οδηγίες χρήσης και χειρισμού με σκοπό να τις χρησιμοποιήσετε στο μέλλον.
3. Ακολουθήστε τις προειδοποιήσεις – πρέπει να ακολουθήσετε όλες τις προειδοποιήσεις που είναι τοποθετημένες πάνω στη συσκευή και να ακολουθήσετε τις οδηγίες χρήσης.
4. Ακολουθήστε τις οδηγίες χρήσης – πρέπει να ακολουθήσετε τις οδηγίες χρήσης και τις συμβουλές για τον χρήστη.
5. Εγκατάσταση – πρέπει να τοποθετήσετε τη συσκευή σύμφωνα με τις οδηγίες του κατασκευαστή.
6. Πηγή τροφοδοσίας – η συσκευή πρέπει να τροφοδοτηθεί αποκλειστικά από τις πηγές με τις παραμέτρους που αναφέρονται στις επισημάνσεις του καλωδίου τροφοδοσίας. Αν ο χρήστης δεν είναι σίγουρος ποιανού τύπου τροφοδοσία έχει στο σπίτι του, πρέπει να επικοινωνήσει με τον πωλητή της συσκευής ή τον τοπικό προμηθευτή ηλεκτρικής ενέργειας.
7. Γείωση και πόλωση της συσκευής – η συσκευή πρέπει να έχει γείωση. Πρέπει να βεβαιωθείτε ότι το φως είναι τελικά τοποθετημένο στην πρίζα ηλεκτρικού δικτύου ή της επέκτασης, για να μην αφήσετε τους πείρους ή τους επαφείς του φως χωρίς κάλυμμα. Κάποιες εκδοχές της συσκευής μπορεί να είναι εξοπλισμένες με πολωμένο φως εναλασσόμενου ρεύματος (με έναν πείρο πλατύτερο). Μπορείτε να βάλετε αυτό το φως στην πρίζα μόνο με έναν τρόπο. Αυτό είναι η λειτουργία προστασίας. Αν δεν μπορείτε να βάλετε το φως στην πρίζα, πρέπει να το περιστρέψετε. Αν το φως εξακολουθεί να μην ταιριάζει στην πρίζα, πρέπει να δώσετε εντολή στον ηλεκτρολόγο να αντικαταστήσει την πρίζα. Δεν επιτρέπεται να βγάλετε τα προστατευτικά του πολωμένου φως. Όταν χρησιμοποιείτε επέκταση ή καλώδιο τροφοδοσίας διαφορετικό από αυτό που παραδίδεται μαζί με τη συσκευή, αυτά πρέπει να έχουν κατάλληλα φως και το πιστοποιητικό ασφαλείας.
8. Προστασία του καλωδίου τροφοδοσίας – τα καλώδια τροφοδοσίας πρέπει να δρομολογούνται έτσι, ώστε να μην τα πατάτε, να μην τα πιέζετε και μην τα κόβετε με τοποθετημένα πάνω τους αντικείμενα. Δώστε ειδική σημασία στα φως, τις πρίζες ηλεκτρικού δικτύου και του τόπου όπου τα καλώδια είναι τοποθετημένα μέσα στη συσκευή.
9. Υπερφόρτωση – Δεν επιτρέπεται να υπερφορτώσετε τις ηλεκτρικές πρίζες τοίχου, τις επεκτάσεις και τους διαχωριστές, γιατί αυτό προκαλεί κίνδυνο πυρκαγιάς ή ηλεκτροπληξίας.
10. Εξαερισμός – η συσκευή πρέπει να έχει κατάλληλο εξαερισμό. Δεν επιτρέπεται να τοποθετήσετε τη συσκευή πάνω σε ένα κρεβάτι, έναν καναπέ ή σε παρόμοιες επιφάνειες. Δεν επιτρέπεται να καλύψετε τη συσκευή με τραπεζομάνηλα, πετσέτες, εφημερίδες κλπ.
11. Ζέστη – μην τοποθετήσετε τη συσκευή δίπλα σε πηγές θερμότητας όπως θερμάστρες, ακτινοβολείς, καμίνους ή άλλες συσκευές (ακόμη και ενισχυτές) που παράγουν θερμότητα. Μην τοποθετήσετε πάνω στη συσκευή αναμμένα κεριά και άλλες πηγές ανοιχτής φλόγας.
12. Νερό και υγρασία – για να μειώσετε τον κίνδυνο πυρκαγιάς ή ηλεκτροπληξίας, δεν επιτρέπεται να εκθέτετε τη συσκευή στην άμεση επίδραση βροχής, νερού και υγρασίας όπως π.χ. στη σάουνα ή το μπάνιο. Μην χρησιμοποιείτε την παρούσα συσκευή δίπλα σε νερό, π.χ. δίπλα σε μια μπανιέρα, νιπτήρα, νεροχύτη κουζίνας ή σκάφη, σε ένα υπόγειο με υγρασία ή δίπλα σε πισίνα (ή σε παρόμοιους τόπους).
13. Αντικείμενα μέσα στη συσκευή – δεν επιτρέπεται να πιέσετε οποιοδήποτε αντικείμενο μέσα από τα ανοίγματα της συσκευής, γιατί αυτά μπορεί να έχουν επαφή με τα σημεία της επικίνδυνης ηλεκτρικής τάσης και τα υποσυστήματα και αυτό μπορεί να προκαλέσει πυρκαγιά. Σε καμία περίπτωση μη χύσετε οποιοδήποτε υγρό δίπλα στη συσκευή. Δεν επιτρέπεται να βάζετε πάνω στη συσκευή να αντικείμενα που περιέχουν υγρά.
14. Καθαρισμός – πάντα πρέπει να αποσυνδέετε τη συσκευή από την πρίζα ηλεκτρικού δικτύου πριν από καθαρισμό. Η σκόνη γύρω από το ηχείο μπορεί να αφαιρεθεί με ένα ύφασμα. Αν χρησιμοποιήσετε ένα αερόλυμα για καθαρισμό, μην κατευθύνετε τη ροή ψεκασμού άμεσα στη συσκευή, αλλά σε ένα πανί. Πρέπει να προσέξετε να μη χαλάσετε τις μονάδες μετάδοσης κίνησης.

15. Πρόσθετος εξοπλισμός – μη χρησιμοποιήσετε αξεσουάρ που δεν επιτρέπονται από τον κατασκευαστή, γιατί αυτά μπορούν να προκαλέσουν κίνδυνο.
16. Αξεσουάρ – μην τοποθετείτε τη συσκευή σε ασταθές καροτσάκι, υποστήριγμα, τρίποδο, βάση ή τραπέζι. Η συσκευή μπορεί να ανατραπεί και να χαλάσει καθώς και να προκαλέσει σοβαρά τραύματα σε παιδιά και σε ηλικιωμένα πρόσωπα. Πρέπει να χρησιμοποιήσετε αποκλειστικά καροτσάκια, υποστήριγματα, τρίποδα, βάσεις ή τραπέζια που ορίζονται από τον κατασκευαστή ή που πωλούνται μαζί με τη συσκευή. Εκτελέστε τη συναρμολόγηση της συσκευής σύμφωνα με τις οδηγίες του κατασκευαστή με χρήση του σετ συναρμολόγησης που προτείνεται από τον κατασκευαστή.
17. Μεταφορά της συσκευής – πρέπει να μεταφέρετε τη συσκευή τοποθετημένη σε καροτσάκι πολύ προσεκτικά. Ξαφνικό σταμάτημα, υπερβολική δύναμη ή ανώμαλες επιφάνειες μπορεί να προκαλέσουν ανατροπή στο καροτσάκι μαζί με τη συσκευή.
18. Περίοδος όταν η συσκευή δεν χρησιμοποιείται – πρέπει να αποσυνδέσετε το καλώδιο τροφοδοσίας από την πρίζα ηλεκτρικού δικτύου κατά τις καταιγίδες με κεραυνούς ή όταν δεν χρησιμοποιείτε τη συσκευή πολλή ώρα.
19. Σέρβις – μην δοκιμάσετε να εκτελέσετε επιθεωρήσεις της συσκευής μόνοι σας. Το να ανοίξετε το κάλυμμα μπορεί να προκαλέσει επαφή με επικίνδυνη ηλεκτρική τάση και να εκτεθεί ο χρήστης σε άλλο κίνδυνο. Η συντήρηση και η επισκευή του εξοπλισμού εκτελείται αποκλειστικά από τους εξουσιοδοτημένους υπάλληλους σέρβις.
20. Όταν δεν χρησιμοποιείτε τη συσκευή, πρέπει να αποσυνδέσετε το φις της από την πρίζα ηλεκτρικού δικτύου. Όταν η συσκευή είναι συνδεδεμένη στην πηγή ηλεκτρικής ενέργειας, είναι στον τρόπο λειτουργίας αναμονής και δεν είναι απολύτως απενεργοποιημένη.
21. Ανταλλακτικά – όταν αντικαθιστάτε εξαρτήματα πρέπει να ελέγχετε αν ο υπάλληλος του σέρβις έχει χρησιμοποιήσει τα ανταλλακτικά που προτείνονται από τον κατασκευαστή ή τα εξαρτήματα είναι ίδια όπως τα γνήσια εξαρτήματα. Η αντικατάσταση εξαρτημάτων με μη ενγκεκριμένα προκαλεί κίνδυνο πυρκαγιάς, ηλεκτροπληξίας και άλλους κινδύνους.
22. Κύριες ηλεκτρικές ασφάλειες – για να προστατέψετε με συνεχή τρόπο τη συσκευή από πιθανή πυρκαγιά, πρέπει να χρησιμοποιήσετε τις ασφάλειες κατάλληλου τύπου και παραμέτρων. Οι παράμετροι των ασφαλειών του ορισμένου φάσματος της ηλεκτρικής τάσης επισημαίνονται πάνω στη συσκευή.
23. Δεν επιτρέπεται να αυθήσετε την ένταση ήχου όταν ακούτε ένα κομμάτι το οποίο έχει χαμηλή ένταση ήχου ή όταν δεν υπάρχει σήμα ήχου εισόδου. Σε αντίθετη περίπτωση, ενδέχεται να χαλάσετε το ηχείο με την ξαφνική αύξηση της έντασης του σήματος.
24. Η μοναδική λύση να αποσυνδέσετε πλήρως τη συσκευή από την πηγή ηλεκτρικής ενέργειας είναι η αποσύνδεση του καλωδίου τροφοδοσίας από την πρίζα ηλεκτρικής ενέργειας ή από τη συσκευή. Η πρίζα ηλεκτρικού δικτύου ή η υποδοχή του καλωδίου τροφοδοσίας στη συσκευή πάντα πρέπει να είναι διαθέσιμες κατά τη χρήση της συσκευής.
25. Η συσκευή πρέπει να τοποθετηθεί δίπλα σε πρίζα ηλεκτρικού δικτύου ή επέκταση έτσι ώστε να είναι πάντα διαθέσιμες.
26. Η μέγιστη θερμοκρασία περιβάλλοντος πρέπει είναι 35°C.
27. Οδηγίες σχετικά με τις ηλεκτροστατικές εκκινήσεις - αν η λειτουργία της συσκευής διαταράσσεται με τις ηλεκτροστατικές εκκινήσεις, πρέπει να την απενεργοποιήσετε και να την ενεργοποιήσετε ξανά ή να μεταφέρετε τη συσκευή σε άλλο τόπο.
28. Μπαταρία
 - a. Δεν επιτρέπεται να εκθέτετε τις μπαταρίες στη δράση υπερβολικής ζέστης όπως π.χ. ηλιακή ακτινοβολία.
 - b. Κατά τη διάθεση των μπαταριών, πρέπει να δώσετε σημασία στις παραμέτρους της προστασίας του περιβάλλοντος.
 - c. Προειδοποίηση σχετικά με χρήση των μπαταριών: για να μην επιτρέψετε αποσφράγιση των μπαταριών που μπορεί να προκαλέσει τραύματα ή να χαλάσει τη συσκευή:
 - Όταν βάζετε τη μπαταρία δώστε σημασία στην πόλωσή της (+ και -).
 - Δεν επιτρέπεται να χρησιμοποιήσετε ταυτόχρονα διαφορετικές μπαταρίες - καινούργιες και μεταχειρισμένες, τις μπαταρίες στάνταρ και αλκαλικές κλπ.
 - Πρέπει να βγάλετε τις μπαταρίες από τη συσκευή δεν τη χρησιμοποιείτε πολλή ώρα.

ΠΡΟΕΙΔΟΠΟΙΗΣΗ

Η συσκευή δεν επιτρέπεται να χρησιμοποιηθεί από πρόσωπα (συμπεριλαμβανόμενων των παιδιών) με μειωμένη φυσική και αισθητηριακή ικανότητα και τα πρόσωπα με ανεπαρκή γνώση και εμπειρία, αν δεν είναι υπό την εποπτεία του προσώπου που είναι υπεύθυνο για την ασφάλειά τους και δεν έχουν εκπαιδευθεί πως να χρησιμοποιούν τη συσκευή με ασφαλή τρόπο. Η παρουσία των ενηλίκων απαιτείται όταν τα παιδιά χειρίζονται τη συσκευή· έτσι θα διασφαλίσετε την ασφαλή χρήση της συσκευής.

1. Δεν επιτρέπεται να αφήνετε τη συσκευή όταν λειτουργεί χωρίς καμία εποπτεία! Πρέπει να απενεργοποιείτε τη συσκευή όταν δεν τη χρησιμοποιείτε, ακόμη για ένα σύντομο διάστημα.
2. Δεν επιτρέπεται να μεταχειρίζεστε τη συσκευή μέσα από ένα εξωτερικό ρολόι με χρονικό σύστημα ούτε με ξεχωριστό σύστημα τηλεχειρισμού.
3. Για να αποφύγετε κίνδυνο σε περίπτωση βλάβης του καλωδίου τροφοδοσίας, η αντικατάστασή του πρέπει να εκτελείτε από τον κατασκευαστή, την εξουσιοδοτημένη υπηρεσία σέρβις ή άλλο πρόσωπο που διαθέτει τα κατάλληλα προσόντα.
4. Πριν αρχίσετε να χειρίζεστε τη συσκευή, πρέπει να ελέγξετε αν η τάση της είναι συμβατή με την τάση του τοπικού ηλεκτρικού δικτύου.
5. Δεν επιτρέπεται να καλύπτετε τα ανοίγματα εξαερισμού π.χ. με εφημερίδες, τραπεζομάνηλα, κουρτίνες κλπ.. Πρέπει να βεβαιωθείτε ότι πάνω από τη συσκευή υπάρχει ένας ελεύθερος χώρος τουλάχιστον 20 cm και από κάθε πλευρά της - τουλάχιστον 5 cm.
6. Δεν επιτρέπεται να στάξει ή να χυθεί κανένα υγρό στη συσκευή και δεν επιτρέπεται να βάζετε πάνω στη συσκευή κανένα αντικείμενο γεμάτο με υγρό όπως π.χ. ένα βάζο.
7. Για να αποφύγετε πυρκαγιά ή ηλεκτροπληξία, πρέπει να προστατεύετε τη συσκευή από ζεστούς τόπους, τη δράση της βροχής, της υγρασίας και της σκόνης.
8. Δεν επιτρέπεται να τοποθετείτε τη συσκευή κοντά σε οποιαδήποτε πηγή νερού όπως π.χ. βρύσες, μπανιέρες, πλυντήρια ή πισίνες κολύμβησης. Η συσκευή πρέπει να τοποθετηθεί σε μια ίσια και σταθερή βάση.
9. Δεν επιτρέπεται να εκθέτετε τη συσκευή σε ισχυρό μαγνητικό πεδίο.
10. Δεν επιτρέπεται να βάζετε τη συσκευή αμέσως στον ενισχυτή, δέκτη ή διακόπτη.
11. Δεν επιτρέπεται να βάζετε τη συσκευή σε ένα μέρος με υγρασία, γιατί η υγρασία έχει αρνητική επίδραση στα ηλεκτρικά συστήματα.
12. Μετά από μεταφορά της συσκευής από κρύο σε ζεστό τόπο ή σε τόπο με υγρασία, μπορεί να προκληθεί υγρασία της συσκευής πάνω στον φακό μέσα στη συσκευή αναπαραγωγής. Σε μια τέτοια περίπτωση η συσκευή δεν θα λειτουργήσει σωστά. Πρέπει να αφήσετε τη συσκευή απενεργοποιημένη για περίπου μια ώρα, για να επιτρέψετε την εξάτμιση της υγρασίας.
13. Δεν επιτρέπεται να καθαρίζετε τη συσκευή με χημικούς διαλύτες, γιατί μπορεί να χαλάσουν το βερνίκι του περιβλήματος. Σκουπίζετε τη συσκευή με ένα καθαρό, στεγνό ή λίγο μουσκεμένο πανί.
14. Όταν βγάξετε το φιλ από την πρίζα τοίχου, πάντα πρέπει να τραβάτε το φις και όχι το καλώδιο.
15. Όταν η ενεργοποιημένη συσκευή χρησιμοποιείται δίπλα σε ενεργοποιημένη τηλεόραση, μπορεί να είναι πηγή διαταραχών όρασης με τη μορφή γραμμών στην οθόνη. Αυτό εξαρτάται από τη ζώνη κυμάτων μετάδοσης της TV. Αυτό δεν σημαίνει ότι η συσκευή ή η τηλεόραση δεν λειτουργούν κατάλληλα. Αν αυτές γραμμές είναι ορατές, πρέπει να απομακρύνετε τη συσκευή από την τηλεόραση.
16. Το φις ηλεκτρικού δικτύου χρησιμοποιείται για αποσύνδεση της ηλεκτρικής τάσης τροφοδοσίας και πάντα πρέπει να είναι διαθέσιμο.
17. Για να διατηρήσετε την κεφαλή λείζερ καθαρή για την ανάγνωση των δίσκων CD, μην την αγγίζετε και πάντα κλείνετε τη θήκη δίσκων.
18. Κατά την αναπαραγωγή, ο δίσκος περιστρέφεται με μεγάλη ταχύτητα. ΔΕΝ ΕΠΙΤΡΕΠΕΤΑΙ να ανυψώνετε ούτε να μεταφέρετε τη συσκευή όταν αναπαράγει, γιατί έτσι μπορείτε να χαλάσετε τον δίσκο ή τη συσκευή.
19. Πριν μεταφέρετε τη συσκευή σε άλλο τόπο ή κατά τη διάρκεια μιας μετακόμισης, πρέπει να βγάλετε τον δίσκο και να κλείσετε τη θήκη δίσκου. Στη συνέχεια πρέπει να απενεργοποιήσετε την τροφοδοσία και να αποσυνδέσετε το καλώδιο τροφοδοσίας. Μεταφορά της συσκευής με τον δίσκο μέσα στη θήκη μπορεί να αποτελέσει αιτία βλάβης τους.

20. Μετά την αναπαραγωγή του δίσκου, πρέπει να τον τοποθετήσετε στη συσκευασία του. Δεν επιτρέπεται να εκθέτετε δίσκους στην επίδραση άμεσης ηλιακής ακτινοβολίας και πηγής θερμότητας. Δεν επιτρέπεται να αφήνετε δίσκους μέσα σε ένα αυτοκίνητο που σταθμεύει σε πλήρη ήλιο.
21. Μην αγγίζετε την πλευρά του δίσκου όπου δεν υπάρχει ετικέτα. Κρατάτε τον πιάνοντας τις άκρες του για να μην αφήσετε δακτυλικά αποτυπώματα. Η σκόνη, τα δακτυλικά αποτυπώματα ή οι ρωγμές των δίσκων μπορούν να είναι αιτία ακατάλληλης λειτουργίας της συσκευής αναπαραγωγής. Δεν επιτρέπεται να επικολλάτε χαρτάκια ή αυτοκόλλητη ταινία πάνω στον δίσκο. 
22. Για να καθαρίσετε τον δίσκο, χρησιμοποιήστε ένα πανί που δεν αφήνει κλωστές. Αρχίστε τον καθαρισμό με ευθύγραμμες κινήσεις από το κέντρο του δίσκου προς τις άκρες του, χρησιμοποιώντας για αυτό τον σκοπό γενικά διαθέσιμα καθαριστικά μέσα ή αντιστατικά μέσα για δίσκους βινυλλίου.
23. Για να μην επιτρέψετε πιθανή απώλεια ακοής, δεν επιτρέπεται να ακούτε μουσική πολύ δυνατά για πολλή ώρα.



ΠΡΟΕΙΔΟΠΟΙΗΣΗ: ΠΗΓΗ ΑΚΤΙΝΟΒΟΛΙΑΣ

CLASS 1 LASER PRODUCT
LUOKAN 1 LASERLAITE
KLASS 1 LASERAPPARAT

Αυτή η ετικέτα σημαίνει ότι μέσα στη συσκευή υπάρχουν συστήματα λέιζερ. Το να ανοίξετε τη θήκη των δίσκων CD και η παράλειψη μπλοκαρισμάτων προστασίας, εκθέτει το χρήστη στην επίδραση της ακτινοβολίας λέιζερ. Δεν επιτρέπεται να βλέπετε τη δέσμη λέιζερ κατά τη λειτουργία της συσκευής.

ΠΡΙΝ ΑΠΟ ΤΗ ΛΕΙΤΟΥΡΓΙΑ

Παρατηρήσεις: για τους συμπαγείς δίσκους

Καθώς βρώμικοι, χαλασμένοι ή παραμορφωμένοι δίσκοι μπορούν να αποτελέσουν αιτία βλάβης της συσκευής, πρέπει να δώσετε σημασία στα εξής στοιχεία:

- a. Οι συμπαγείς δίσκοι που μπορείτε να χρησιμοποιήσετε. Μπορείτε να χρησιμοποιείτε μόνο τους παρακάτω αναφερόμενου δίσκους.
- b. Δίσκους CD αποκλειστικά με ψηφιακό σήμα ήχου.

ΠΡΟΣΟΧΗ



Δήλωση

Δια του παρόντος η εταιρεία Blaupunkt Competence Center 2N-Everpol Sp. z o.o. δηλώνει ότι η παρούσα συσκευή είναι συμβατή με τις προϋποθέσεις και τις λοιπές σχετικές προβλέψεις της οδηγίας 2014/53 / ΕΕ. Μπορείτε να λάβετε την πλήρη δήλωση συμβατότητας από την ιστοσελίδα www.blaupunkt.com στην καρτέλα του προϊόντος.

Κατόχος άδειας κυκλοφορίας: 2N-Everpol Sp. Z o.o.

Puławska 403A, 02-801 Warszawa, Πολωνία

Τηλέφωνο: +48 22 331 99 59, e-mail: info@everpol.pl



Το προϊόν κατασκευάστηκε από υλικά υψηλής ποιότητας και τα συστήματα, τα οποία μπορούν να ανακυκλωθούν και να χρησιμοποιηθούν ξανά.



Αν πάνω στη συσκευή υπάρχει το σύμβολο του διαγραμμένου κάδου, αυτό σημαίνει ότι το προϊόν καλύπτεται από τις προβλέψεις της ευρωπαϊκή οδηγίας 2012/19/ΕΕ. Πρέπει να εξοικειωθείτε με τις απαιτήσεις του τοπικού συστήματος συγκέντρωσης απορριπτόμενου εξοπλισμού και υπολειμμάτων υλικού διάλυσης. Πρέπει να ακολουθήσετε τους τοπικούς κανονισμούς. Μην απορρίψετε το προϊόν μαζί με τα κανονικά οικιακά απορρίμματα. Η σωστή διάθεση του παλαιού προϊόντος προστατεύει από αρνητικά αποτελέσματα για το φυσικό περιβάλλον και την ανθρώπινη υγεία.



Η συσκευή είναι εξοπλισμένη με μπαταρίες οι οποίες ορίζονται με την ευρωπαϊκή οδηγία 2013/56/ΕΕ. Δεν επιτρέπεται να απορρίπτετε τις μπαταρίες μαζί με τα οικιακά απορρίμματα. Πρέπει να εξοικειωθείτε με τους τοπικούς κανονισμούς για την ξεχωριστή συγκέντρωση των μπαταριών, διότι η κατάλληλη διάθεση προστατεύει από πιθανά αρνητικά αποτελέσματα της για το φυσικό περιβάλλον και την ανθρώπινη ζωή.

Πληροφορίες για την προστασία του περιβάλλοντος

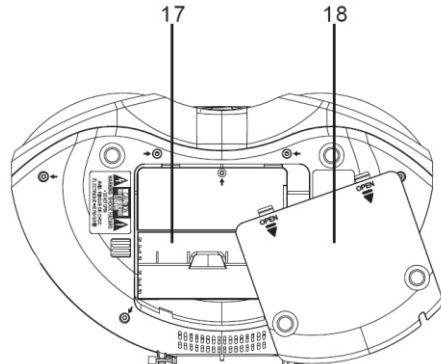
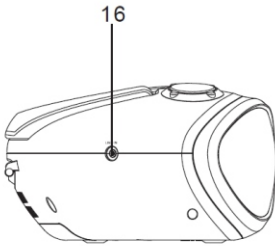
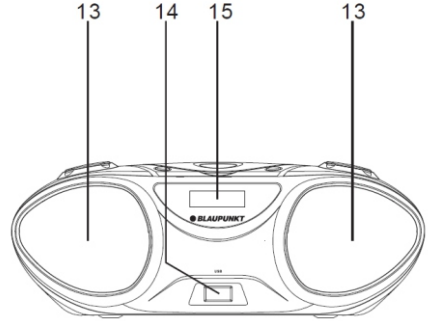
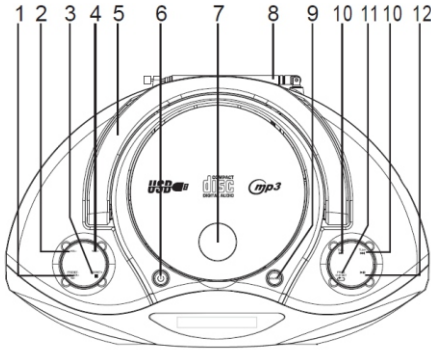
Η συσκευασία περιέχει μόνο τα απαραίτητα στοιχεία. Έχει καταβληθεί κάθε δυνατή προσπάθεια ώστε τα τρία συστατικά της συσκευασίας να διαχωριστούν εύκολα: χαρτί (κουτί), αφρός πολυστερίνης (προστατευτικά μέσα στη συσκευασία) και πολυαιθυλένιο (σακούλες, προστατευτικό φύλλο). Η συσκευή κατασκευάστηκε από υλικά τα οποία μπορούν να ανακυκλωθούν και να χρησιμοποιηθούν ξανά μετά την αποσυναρμολόγησή τους. Πρέπει να ακολουθήσετε τους τοπικούς κανονισμούς σχετικά με τη διάθεση των υλικών συσκευασίας, των μεταχειρισμένων μπαταριών και των περιττών συσκευών.

Η εγγραφή και αναπαραγωγή υλικού μπορεί να απαιτήσει σχετική άδεια. Βλέπε το περί πνευματικών δικαιωμάτων και των δικαιωμάτων/δημιουργών/καλλιτεχνών νόμο.

Παρατήρηση σχετικά με τις ERP2 (Συσκευές σχετικά με την ενέργεια)

Η παρούσα συσκευή είναι οικολογικού σχεδιασμού και πληροί τις απαιτήσεις της φάσης 2 του Κανονισμού (ΕΚ) αριθ. 1275/2008 της Επιτροπής περί εφαρμογής της οδηγίας 2009/125/ΕΚ σχετικά με την κατανάλωση ενέργειας σε κατάσταση απενεργοποίησης και αναμονής του ηλεκτρικού και ηλεκτρονικού εξοπλισμού γραφείου και οικιακού εξοπλισμού.

Τοποθεσία στοιχείων ελέγχου



Τοποθεσία στοιχείων ελέγχου

- 1 - Preset - / folder + / κουπί + 10
- 2- Κουπί Έντασης ήχου -
- 3- Κουπί Preset + / διακοπή·
- 4- Κουπί Έντασης ήχου +·
- 5- Λαβή·
- 6- Κουπί τρόπου ετοιμότητας·
- 7- Κάλυμμα οδηγού CD·
- 8- Κεραία FM·
- 9 - Κουπί επιλογής πηγής ήχου·
- 10- Κουπί συντονισμού Tune +/- και προηγούμενο / επόμενο·
- 11- Κουπί προγραμματισμού / ρολογιού / επανάληψη
- 12- Κουπί αναπαραγωγής / παύσης·
- 13- Ηχείο·
- 14- USB
- 15-Οθόνη·
- 16- Είσοδος εξωτερικής πηγής ήχου·
- 17- Θήκη μπαταρίας (καλώδιο τροφοδοσίας εσωτερικό)·
- 18- Κάλυμμα θήκης για μπαταρία·

Πηγή τροφοδοσίας και σύνδεση

Τροφοδοσία AC: ανοίξτε το κάλυμμα της θήκης για μπαταρία και βγάλτε το καλώδιο τροφοδοσίας· στη συνέχεια πρέπει να το ξετυλίξετε πλήρως και να το διαπεράσετε μέσα από το άνοιγμα της θήκης για μπαταρία· κλείστε το κάλυμμα της θήκης για μπαταρία. Βάλτε το φως του καλωδίου τροφοδοσίας στην πρίζα τοίχου AC για να τροφοδοτηθεί με ρεύμα, στη συνέχεια θα ενεργοποιηθεί η οθόνη. Η τροφοδοσία από τη μπαταρία απενεργοποιείται αυτόματα.

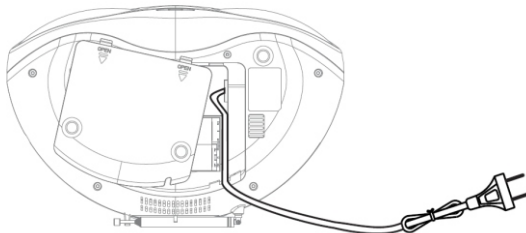
Τροφοδοσία DC (τροφοδοσία από συσσωρευτή): ανοίξτε το κάλυμμα της θήκης για μπαταρίας και βάλτε 6 τεμ. μπαταρίες τύπου UM2 / 1,5V (δεν συμπεριλαμβάνονται στο σετ) σύμφωνα με το χαραγμένο θετικό και αρνητικό σύμβολο πόλωσης. Στη συνέχεια κλείστε τη θήκη για μπαταρία.

Παρατηρήσεις:

α. Πρέπει να θυμηθείτε ότι το καλώδιο τροφοδοσίας είναι συναρμολογημένο και κρυμμένο μέσα στη θήκη για μπαταρία.

β. Αν ο ήχος θα παραμορφωθεί λόγω ανάλωσης της μπαταρίας ή χαμηλού επιπέδου τροφοδότησής της, τότε πρέπει να αντικαταστήσετε τις μπαταρίες με καινούριες. Πρέπει να διαθέτετε τις μπαταρίες με τρόπο φιλικό για το περιβάλλον, πρέπει να συμμορφωθείτε με τις απαιτήσεις των τοπικών αρχών.

γ. Δεν επιτρέπεται να εγκαταστήσετε μπαταρίες διαφορετικών κατασκευαστών. Με σκοπό να αποφύγετε διαρροή υγρού πρέπει να βγάλετε τις μπαταρίες σε περίπτωση που δεν χρησιμοποιείτε τη συσκευή πολλή ώρα.



Προγραμματισμός ρολογιού

Όταν μετά από τη σύνδεση η οθόνη είναι ενεργοποιημένη, αυτό σημαίνει ότι η συσκευή είναι στην κατάσταση ετοιμότητας για λειτουργία. Πατήστε και κρατήστε το κουμπί προγραμματισμού του ρολογιού 2 δευτερόλεπτα, οι αριθμοί των ωρών θα αρχίσουν να αναπρογραμματίζονται στην οθόνη· πατήστε για λίγο το κουμπί Tune +/- για να προσαρμόσετε την ώρα· ξαναπατήστε για λίγο το κουμπί προγραμματισμού του ρολογιού με σκοπό την επιβεβαίωση της επιλογής και περάστε στον προγραμματισμό λεπτών· προγραμματίστε τα λεπτά με χρήση του κουμπιού Tune +/- και πατήστε για λίγο το κουμπί προγραμματισμού του ρολογιού με σκοπό να ολοκληρώσετε τον προγραμματισμό της ώρας.

Παρατηρήσεις:

α. Εξυπηρετείται μόνο η μορφή 24 ωρών.

β. Το ρολόι είναι διαθέσιμο μόνο σε περίπτωση τροφοδοσίας AC ή DC. Παρακαλούμε να αναπαραγωγή του δίσκου CD: ανοίξετε τη θήκη του οδηγού CD και βάλτε τον δίσκο CD και στη συνέχεια κλείστε το κάλυμμα. Πατήστε το κουμπί ετοιμότητας για να ενεργοποιήσετε τη συσκευή CD· πατήστε το κουμπί επιλογής της πηγής για να ενεργοποιήσετε τον τρόπο λειτουργίας CD· τότε η μονάδα θα αναγνωρίσει τον δίσκο CD και θα τον αναπαραγάγει αυτόματα.

γ. Μετά από 5 δευτερόλεπτα στον τρόπο αναπαραγωγής ήχου στην οθόνη θα ανανεωθεί αυτομάτως η προβολή του ρολογιού.

Χειρισμός CD

Η συσκευή μπορεί να αναπαραγάγει τους δίσκους CD, που έχουν εγγραφεί σε μορφή CD / CD-R / CD-RW / MP3. Πριν να αρχίσετε την αναπαραγωγή ελέγξτε πρώτα τη μορφή του δίσκου CD και βεβαιωθείτε ότι ο δίσκος CD είναι καθαρός και δεν είναι κατεστραμμένος.

Αναπαραγωγή του δίσκου CD: ανοίξετε τη θήκη του οδηγού CD και βάλτε τον δίσκο CD και στη συνέχεια κλείστε το κάλυμμα. Πατήστε το κουμπί ετοιμότητας για να ενεργοποιήσετε τη συσκευή CD· πατήστε το κουμπί επιλογής της πηγής για να ενεργοποιήσετε τον τρόπο λειτουργίας CD· τότε η μονάδα θα αναγνωρίσει τον δίσκο CD και θα τον αναπαραγάγει αυτόματα.

Στον τρόπο αναπαραγωγής των δίσκων CD πατήστε την ένταση ήχου +/- για να ρυθμίσετε το επίπεδο έντασης ήχου· πατήστε το κουμπί αναπαραγωγής / παύσης για να σταματήσετε ή να ανανεώσετε την αναπαραγωγή· πατήστε το κουμπί διακοπής για να σταματήσετε την αναπαραγωγή· πατήστε για λίγο το κουμπί προηγούμενου ή επομένου για να επιλέξετε το κομμάτι, πατήστε και κρατήστε το για να κυλίσετε γρήγορα το κομμάτι προς τα εμπρός και προς τα πίσω· πατήστε το κουμπί επανάληψης για να επαναλάβετε ένα κομμάτι / όλα τα κομμάτια / αναπαραγωγή όλου του φακέλου·

Το σύντομο πάτημα του κουμπιού 10+ επιτρέπει επιλογή αναπαραγωγής του κάθε 10ου κομματιού· πατήστε το κουμπί φακέλου+ για τουλάχιστον 2 δευτερόλεπτα για να διακόψετε την αναπαραγωγή του επομένου φακέλου σε περίπτωση που είναι διαθέσιμοι τουλάχιστον 2 φάκελοι (μόνο σε περίπτωση των δίσκων MP3).

Προγραμματισμός αναπαραγωγής (έως 20 κομμάτια στο δίσκο CD και 99 κομμάτια στους δίσκους MP3): πατήστε το κουμπί διακοπής για να σταματήσετε την αναπαραγωγή CD· πατήστε το κουμπί προγραμματισμού για να αρχίσετε τον προγραμματισμό· στην οθόνη θα προβληθούν "P01" και "PROG"· πατήστε το προηγούμενο ή το επόμενο κουμπί για να μεταβείτε και να επιλέξετε το κομμάτι το οποίο θέλετε να προγραμματίσετε και στη συνέχεια πατήστε το κουμπί προγραμματισμού για να επιβεβαιώσετε το κομμάτι· το κομμάτι θα καταχωρηθεί ως P01. Επαναλάβετε την ενέργεια εωστού στην οθόνη προβληθεί "P20" ή "P99" και αυτό σημαίνει ότι η προγραμματισμένη μνήμη είναι πλήρης. Πατήστε το κουμπί αναπαραγωγής / παύσης για να αναπαραγάγετε τα προγραμματισμένα κομμάτια· ανοίξετε το κάλυμμα του οδηγού CD ή πατήστε δύο φορές το κουμπί διακοπής για να ακυρώσετε και να αφαιρέσετε τις προγραμματισμένες ρυθμίσεις αναπαραγωγής.

Χειρισμός του ραδιοφώνου FM

Πριν να αρχίσετε τα χειρίζετε το ραδιόφωνο, πρέπει να επεκτείνετε πλήρως την κεραία FM και να δοκιμάσετε να τοποθετήσετε τη συσκευή δίπλα σε ένα παράθυρο με σκοπό να έχετε καλύτερη λήψη σήματος.

Σάρωση και αυτόματη σάρωση: πατάτε το κουμπί συντονισμού Tune +/- για να συντονίσετε βαθμιαία τη συχνότητα FM, πατήστε και κρατήστε το για 2 δευτερόλεπτα για να αναζητήσετε αυτόματα τον διαθέσιμο σταθμό προς τα πάνω ή προς τα κάτω της ζώνης· πατήστε και κρατήστε το κουμπί προγραμματισμού για 2 δευτερόλεπτα για να σαρώσετε και να αποθηκεύσετε αυτόματα τους διαθέσιμους σταθμούς (ο μέγιστος αριθμός· προγραμματισμένων σταθμών είναι 40). Πατήστε το κουμπί Preset +/-, για να διαλέξετε ή να αλλάξετε τον προγραμματισμένο αυτόματα σταθμό.

Χειροκίνητος προγραμματισμός σταθμών: Αφού συντονιστείτε με τον αγαπημένο σας σταθμό με χρήση του κουμπιού Tune +/- πατήστε πρώτα το κουμπί προγραμματισμού· στη συνέχεια πατήστε το κουμπί «προηγούμενο» ή «επόμενο» για να επιλέξετε τον ζητούμενο αριθμό υπό τον οποίο θέλετε να αποθηκεύσετε τον τρεχούμενο σταθμό και στη συνέχεια πατήστε το κουμπί προγραμματισμού. Επαναλάβετε τις παραπάνω ενέργειες με σκοπό να αποθηκεύσετε τους υπόλοιπους σταθμούς.

Χειρισμός αναπαραγωγής USB

Πριν να αρχίσετε την αναπαραγωγή των αρχείων USB, πρέπει να αποθηκεύσετε το αρχείο ήχου MP3 στη μνήμη USB (εξυπηρετούμενες συσκευές με μέγιστη χωρητικότητα 32 GB) και στη συνέχεια να βάλετε τη μνήμη USB στην υποδοχή USB. Ενεργοποιήστε τη συσκευή και πατήστε κάποιες φορές το κουμπί επιλογής πηγής· για να μπειτε στον τρόπο λειτουργίας USB, η συσκευή αυτόματα θα αποκωδικοποιήσει το αρχείο ήχου και θα απενεργοποιήσει την αναπαραγωγή του. Στον τρόπο λειτουργίας USB πατήστε το κουμπί αναπαραγωγής / παύσης για να σταματήσετε ή να ανανεώσετε την αναπαραγωγή· πατήστε για λίγο το κουμπί προηγούμενο ή επόμενο για να επιλέξετε το κομμάτι, πατήστε και κρατήστε το για να κυλίσετε γρήγορα το κομμάτι προς τα εμπρός ή προς τα πίσω· Πατήστε το κουμπί επανάληψης για να επαναλάβετε ένα κομμάτι / όλα τα κομμάτια / αναπαραγωγή όλου του φακέλου· πατήστε για λίγο το κουμπί 10+ για να προχωρήσετε την αναπαραγωγή για επόμενα 10 κομμάτια, πατήστε το κουμπί φάκελος+ για τουλάχιστον 2 δευτερόλεπτα για να προχωρήσετε την αναπαραγωγή του επόμενου φακέλου σε περίπτωση που έχει διαθέσιμους τουλάχιστον 2 φακέλους.

Παρατήρηση:

- α. Δεν προτείνεται να χρησιμοποιήσετε επέκταση για σύνδεση της συσκευής USB γιατί μπορεί να προκαλέσει διαταραχές κατά την αναπαραγωγή.
- β. Δεν εγγυόμαστε ότι όλες οι συσκευές USB θα εξυπηρετηθούν λόγω διαφορετικών κατασκευών και κατασκευαστών.
- γ. Δεν εγγυόμαστε ότι όλα τα αρχεία MP3 θα αναπαραχθούν σωστά.

Χειρισμός τρόπου λειτουργίας AUX IN / Γραμμωτής εισόδου/ MP3 Link

Με χρήση του καλωδίου ήχου 3,5 mm συνδέστε την υποδοχή LINE IN στο οπίσθιο πάνελ της συσκευής με την είσοδο του σήματος ήχου από την εξωτερική συσκευή αναπαραγωγής (π.χ. του αναπαραγωγέα MP3 κλπ.). Ενεργοποιήστε τη συσκευή και πατήστε το κουμπί επιλογής πηγής για να μπειτε στον τρόπο λειτουργίας LINE IN· Επιλέξτε και αναπαραγάγετε μουσική από τον εξωτερικό αναπαραγωγέα και ο ήχος θα αναπαραχθεί μέσα από τα ηχεία της παρούσας συσκευής. Πρέπει να δώσετε σημασία ότι ο κύριο έλεγχος γίνεται με χρήση του εξωτερικού αναπαραγωγέα και στην παρούσα συσκευή μπορείτε να ρυθμίσετε το επίπεδο έντασης ήχου.

Προδιαγραφή

Πηγή τροφοδοσίας AC 230V / 50Hz·

τροφοδοσία DC 9V (6 szt. x UM2, 1.5V, η μπαταρία δεν συμπεριλαμβάνεται στο σετ)·

Συχνότητα FM: 87,5 ~ 108,0 MHz·

Ισχύς εξόδου RMS: 2 x 1Watt·

Ηλεκτρική τάση εξόδου USB: 5V / 100Ma·

παράμετροι της υποδοχής USB: εξυπηρέτηση των μνημών έως 32 GB, αρχεία ήχου MP3·

Οπτικά του οδηγού CD: 3 δεσμοί λέιζερ ημιαγωγών·

Λήψη ισχύος: 12W

Λήψη ισχύος στον τρόπο λειτουργίας ετοιμότητας: <1W

(η παραπάνω προδιαγραφή μπορεί να μεταβληθεί χωρίς προγενέστερη ειδοποίηση)

Επίλυση προβλημάτων:

1. Δεν μπορώ να ενεργοποιήσω τη συσκευή.

α. Ελέγξτε αν η τροφοδοσία DC είναι κατάλληλα συνδεδεμένη

β. Επικοινωνήστε με το κέντρο σέρβις σε περίπτωση προβλημάτων.

2. Ο ραδιοφωνικός σταθμός δεν ακούγεται καλά.

α. μετακινήστε τη συσκευή δίπλα σε ένα παράθυρο ή συντονίστε την κατεύθυνση της κεραίας για να έχετε καλύτερη λήψη σήματος.

β. Δοκιμάστε να μεταβείτε σε άλλο σταθμό.

γ. Επικοινωνήστε με το κέντρο σέρβις σε περίπτωση προβλημάτων.

3. Η συσκευή δεν είναι ικανή να αναγνωρίσει τον δίσκο CD ή τη μνήμη USB.

α. Ελέγξτε αν ο δίσκος CD ή το αρχείο ήχου είναι κατάλληλο.

β. Επικοινωνήστε με το κέντρο σέρβις σε περίπτωση προβλημάτων.

OHUTUST KÄSITLEV OLULINE TEAVE



HOIATUS



ELEKTRILÖÖGI OHT
MITTE AVADA

Ohutust käsitlev oluline teave

Hoiatus:

Elektrilöögi ohu vähendamiseks ei tohi seadme katet ega tagumist osa lahti monteerida. Seadmes ei ole kasutajapoolseks iseseisvaks parandamiseks ette nähtud elemente. Seadme hoolduse ja parandamisega tegelevad ainult teeninduse kvalifitseeritud töötajad.

Graafiliste sümbolite selgitus:



Välgunoole sümbol võrdkõlgses kolmnurgas hoiatab kasutajat seadme sees esinevast isoleerimata „ohtlikust pingest“, mis võib saavutada elektrilöögi ohuga ähvardava tugevuse.



Hüüumärk võrdkõlgses kolmnurgas hoiatab kasutajat sellest, et antud hetkel edastatakse seadmega kaasas olevas dokumendis seadme teenindust ja hooldust käsitlevat olulist teavet.

Enne seadme teenindamise alustamist palume käesolev juhend, selle funktsioonidega tutvumiseks ja sihtotstarbeliseks kasutamiseks, läbi lugeda. See tagab seadme kauakestva, rikeeta teeninduse ja kasutusrõõmu.

Oluline informatsioon

- Teenindusjuhend ja ohutust käsitlev teave tuleb edaspidiseks kasutuseks säilitada.
- Ei tohi lasta tekkida olukorral, kui seadmele või selle sisemusse tilgub vesi.
- Samuti ei tohi seadet kasutada niisketes kohtades, nagu nt vannituba.
- Antud seadet ei tohi paigaldada järgnevasse kohtadesse:
- Mis on avatud päikesekiirguse vahetule toimele või radiaatorite lähedusse.
- Asetada muu, soojust eraldava, stereofoonilise varustuse peale.
- Blokeerides ventilatsiooni või tolmusesse kohta.
- Pidevale vibratsioonile allutatud kohtadesse.
- Kõrge niiskustasemega kohtadesse.
- Seadet ei tohi asetada küünalde või avatud tule lähedusse.
- Seadet võib kasutada ainult käesolevas juhendis kirjeldatud viisil.
- Enne toite esimest sisselülitamist tuleb veenduda, et toide oleks õigesti ühendatud.
- USB mälu ühendatakse vahetult või kuni 25 cm pikkuse USB pikendusjuhtmega.

Ohutuse seisukohalt ei tohi korpuseid lahti võtta ega üritada seadme sisemusse tungida. Seadet võivad parandada ainult teeninduse kvalifitseeritud töötajad. Seadet ei tohi lahti keerata ega selle korpust avada, sest selles ei ole kasutaja poolt parandatavaid osi. Seadme hoolduse ja parandamisega tegelevad ainult teeninduse kvalifitseeritud töötajad.

OHUTUST KÄSITLEV OLULINE TEAVE

1. Lugeeda juhend läbi – enne seadme kasutamist alustamist tuleb kogu teenindusjuhend ja ohutust käsitlev teave läbi lugeda.
2. Säilitada juhend – kasutus- ja teenindusjuhend tuleb edaspidiseks kasutuseks säilitada.
3. Järgida hoiatusi – toimida kooskõlas kõikide seadmel paiknevate hoiatuste ja teenindusjuhendiga.
4. Järgida juhiseid – toimida kooskõlas teenindusjuhendi ja kasutajale mõeldud juhistega.
5. Paigaldus – paigaldada seade kooskõlas tootja juhistega.
6. Toiteallikad – seadme toiteks peab kasutama ainult toitekaabli märgistustel antud parameetritega allikaid. Juhul kui kasutaja ei ole kindel kodus oleva toite liigis, peab ta ühendust võtma seadme müüja või kohaliku elektrienergia tarnijaga.
7. Toite maandus ja polaarsus – seade ei pea olema maandatud. Vältimaks tihvtide või klemmide paljastumist veenduda, et pistik oleks võrgupesusa või pikendusse sisestatud lõpuni. Mõned seadme versioonid võivad olla varustatud vahelduvvoolu polaarse pistikuga (üks tihvt laiem). Selliseid pistikuid võib sisestada võrgupesusa ainult ühel viisil. See on kaitsefunktsioon. Kui pistikut ei saa pesa sisestada tuleb proovida seda pöörata. Kui pistik ei sobi ka siis pesaga tuleb elektrikult tellida selle väljavahetamine. Polaarselt pistikult ei tohi kaitseid eemaldada. Kasutades muud pikendusjuhet või toitekaablit, kui seadmega koos tarnitavat, peavad neil olema asjakohased pistikud ja antud riigis nõutav ohutustunnistus.
8. Toitekaabli kaitse – toitekaabel tuleb vedada nii, et selle peal ei oleks võimalik kõndida, seda suruda või asetatud esemetega vigastada. Pöörata erilist tähelepanu pistikutele, võrgupesadele ja kohtadele, kus kaabel läbi veetakse.
9. Ülekooormamine – seinakontakte, pikendusjuhtmeid ja vargapesasid ei tohi üle koormata, sest see ohustab tulekahju puhkemise või elektrilöögi.
10. Ventilatsioon – seadet tuleb korralikult ventileerida. Seadet ei tohi asetada voodile, diivanile või muudele sarnastele pindadele. Seadet ei tohi katta laualinade, salvrätikute, ajalehtede jms.
11. Soojus – mitte asetada seadet soojusallikate, nagu radiaatorid, kiirgurid, ahjud või muud soojust eritavad seadmed (ka võimendid), lähedale. Mitte asetada seadmele põlevaid küünlaid ja muid avatud tule allikaid.
12. Vesi ja niiskus – tulekahju või elektrilöögi ohu vähendamiseks ei tohi seadet vihma, vee ja niiskuse vahetule toimele, nagu nt saunas või vannitoas, allutada. Mitte kasutada käesolevat seadet vee, näiteks vanni, kraanikausi, köögivalamu või pesupali, läheduses, niiskes keldris või basseini juures (või sarnastes kohtades).
13. Esemed ja vedelikud – läbi seadme avade ei tohi sisse suruda mingeid esemeid, sest need võivad kokku puutuda ohtliku pinge punktidega, mis omakorda võib põhjustada tulekahju või elektrilöögi. Mitte mingil juhul ei tohi seadme pindadele mingeid vedelikke kallata. Seadmele ei tohi asetada vedelikke sisaldavaid esemeid.
14. Puhastamine – enne puhastamist tuleb seade alati võrgupesast lahti ühendada. Kõlari ümbrusest võib tolmu eemaldada kuiva lapiga. Kasutades puhastamiseks aerosooli ei tohi pritsimisvoogu suunata vahetult seadmele vaid lapile. Tuleb jälgida, et ajamiüksused kahjustusi ei saaks.
15. Täiendav varustus – keelatud on kasutada tarvikuid, mis ei ole tootja poolt lubatud, sest võivad osutada ohuallikateks.
16. Tarvikud – seadet ei tohi asetada ebastabiilsele kärule, alusraamile, statiivile, tugialusele või lauale. Seade võib ümber kukkuda ja saada kahjustusi ning vigastada tõsiselt last või täiskasvanut. Kasutada ainult tootja poolt määratletud või koos seadmega müüdivaid kärusid, alusraame, statiive, tugialuseid või laudu. Seadme paigaldust tuleb teostada kooskõlas tootja juhistega, kasutades tootja poolt soovitatud paigalduskomplekti.
17. Seadme teisaldamine – kärule paigutatud seadet tuleb sõidutada väga ettevaatlikult. Äkiline pidurdamine, ülemäärane jõud või ebatasane pind võivad põhjustada käruga seadme ümbermineku.
18. Seadme mittekasutamise periood – toitekaabel tuleb äikesetormide ajal või kui seadet pikema aja jooksul ei kasutata võrgupesast lahti ühendada.

19. Teenindus – keelatud on seadme ülevaastust omakäeliselt läbi viia. Avatud katted võivad põhjustada kokkupuudet ohtliku pingega ja osutada ohtlikuks. Seadme hoolduse ja parandamisega tegelevad ainult teeninduse kvalifitseeritud töötajad.
20. Kui seadet ei kasutata, tuleb selle pistik võrgupesast lahti ühendada. Toiteallikaga ühendatuna on seade ooterežiimis ja ei ole täielikult välja lülitatud.
21. Varuosad – osade väljavahetamisel tuleb kontrollida kas teeninduse töötaja on kasutanud tootja poolt soovitatud varuosi või kas osad on originaalosadega identsed. Väljavahetamine kinnitamata osade vastu ohustab tulekahju puhkemise, elektrilöögi ja muude turvariskidega.
22. Peakaitsemed – seadme alaliseks tulekahjuvastaseks kaitseks tuleb kasutada õiget tüüpi ja asjakohaste parameetritega kaitsemeid. Antud pingela kaitsete parameetrid on märgitud seadmele.
23. Helitugevust ei tohi muusikapala vaikse osa kuulamisel või audio sisendsignaali puudumisel tõsta. Vastasel juhul võib signaali äkiline tugevnemine kõlarit kahjustada.
24. Seadme toiteallikast täieliku lahtiühendamise ainsaks viisiks on toitekaabli toitepesast või seadmest eemaldamine. Võrgupesast või toitekaabli seadme sisend peavad toote kasutamise käigus alati juurdepääsetavad olema.
25. Seade tuleb paigutada võrgupesast või pikendusjuhtme lähedusse nii, et need oleks alati juurdepääsetavad.
26. Seadme keskkonna maksimaalne temperatuur võib olla kuni 35°C.
27. Elektrostaatilisest lahendusest puudutavad juhised – kui seadme töö on häiritud elektrostaatilistest lahendustest tuleb see välja lülitada ja seejärel uuesti sisse lülitada või teise kohta ümber tõsta.
28. Patareid
 - a. Patareid ei tohi allutada ülemäärase soojuse, nagu nt päikesekiired, tuli jms, toimele.
 - b. Patareide utiliseerimisel tuleb pöörata tähelepanu keskkonnakaitse aspektidele.
 - c. Patareide kasutamist puudutav hoiatus: patareidel ei tohi lasta kuluda kuni lekkimiseni, mis võib põhjustada kehavigastusi ja seadme kahjustusi:
 - Patareide sisestamisel pöörata tähelepanu nende polaarsusele (+ ja -).
 - Ei tohi kasutada samaaegselt erinevaid patareid — vanu ja uusi, standardseid ja alkaalpatareid, jne.
 - Kui seadet pikema aja jooksul ei kasutata, tuleb patareid välja võtta.

HOIATUS

Seadet ei tohi kasutada piiratud füüsiliste, sensoorsete ja psüühiliste võimetega või seadmega töötamise kogemusi või teadmisi mitte omavad inimesed (sealhulgas lapsed), kui nad ei viibi nende ohtuse eest vastutavate isikute järelevalve all või kui neid ei ole seadme ohutu kasutamise teemal instrueeritud. Kui seadet teenindavad lapsed, on nõutav täiskasvanute kohaolek; see võimaldab tagada seadme ohutu kasutuse.

1. Keelatud on töötavat seadet järelevalveta jätta! Kui seadet isegi lühikese aja jooksul ei kasutata, tuleb see välja lülitada.
2. Seadet ei tohi teenindada taimeriga välise kella vahendusel ega eraldi asetseva kaugjuhtimisega süsteemi abil.
3. Toitejuhtme kahjustuste korral ohtude vältimiseks peab väljavahetamist teostama tootja, autoriseeritud teeninduspunkt või muu, asjakohast kvalifikatsiooni omav isik.
4. Enne seadme teenindamise juurde asumist tuleb veenduda, et selle pinge vastab kohalikus toitevõrgus esinevale pingele.
5. Seadme ventilatsioonivahendid ei tohi kinni katta, nt ajalehtede, laualina, kardinatega, jms. Tuleb veenduda, et seadme kohal on vähemalt 20 cm vaba ruumi ja selle igal küljel — vähemalt 5 cm.
6. Ei tohi lasta tekkida olukorral kui seadmele või selle sisemusse tilgub või voolab vedelik ega tohi sellele asetada vedelikega täidetud esemeid, selliseid nagu vaasid.
7. Tulekahju või elektrilöögi vältimiseks tuleb seadet kaitsta kuumade kohtade, vihma, niiskuse ja tolmu toime eest.
8. Seadet ei tohi paigutada mingite veeallikate, nt kraanide, vannide, pesumasinate või ujumisbasseinide lähedusse. Seade tuleb asetada tasasele ja stabiilsele aluspinnale.
9. Seadet ei tohi allutada tugevate magnetväljade toimele.

10. Vahetult võimendile või vastuvõtjale seadet asetada ei tohi.
11. Seadet ei tohi viia niiskesse kohta, sest niiskusel on elektrilistele allüksustele kahjulik mõju.
12. Peale seadme külmast sooja või niiskesse kohta toomist võib mängija sees olevale läätsele tekkida niiskuse kondensatsioon. Sellises olukorras seade korralikult tööle ei hakka. Niiskuse aurumise võimaldamiseks tuleb sisselülitatud seade jätta umbes tunniks ajaks seisma.
13. Seadet ei tohi puhastada keemiliste lahustitega, sest need võivad kahjustada korpuse lakikihti. Seadet pühitakse puhta, kuiva või vähesel määral niisutatud lapiga.
14. Pistiku seinakontaktist eemaldamisel tuleb alati tõmmata pistikust, mitte aga toitekaablist.
15. Kui sisselülitatud seadet kasutatakse sisselülitatud teleri läheduses võib see osutada ekraanil joontena nähtavate häirete allikaks. Sõltub TV ülekande laineribast. See ei tähenda aga ei seadme ega teleri väärat töötamist. Selliste joonte ilmumisel tuleb seade telerist eemale nihutada.
16. Võrgupistikut kasutatakse toitepinge lahti ühendamiseks ja see peab alati juurdepääsetav olema.
17. CD plaatide esitamise laserpea puhtana hoidmiseks ei tohi seda puutuda ja plaadisalv tuleb alati suletuna hoida.
18. Mängimise ajal pöörleb plaat suure kiirusega. Muusika esitamise ajal EI TOHI seadet tõsta ega liigutada, sest selline tegevus võib põhjustada plaadi või seadme kahjustusi.
19. Enne seadme teise kohta viimist või kolimise ajaks tuleb plaat välja võtta ja plaadisalv sulgeda. Seejärel tuleb välja lülitada toide ja ühendada lahti toitekaabel. Seadme teisaldamine plaadiga salves võib põhjustada selle kahjustusi.
20. Peale plaadi mängimist tuleb see panna oma pakendisse. Plaat ei tohi jätta päikesekiirte ja soojusallikate vahetusse mõjuvalda. Plaat ei tohi jätta lauspäikese alla pargitud autosse.
21. Ei tohi puutuda plaatide etiketita pooli. Sõrmejälgede vältimiseks hoida plaati servast. Tolm, sõrmejäljed või kriimustused võivad põhjustada mängija väärat töötamist. Plaadile ei tohi kleepida silte või isekleepuvat teipi.
22. Plaadi puhastamiseks kasutatakse puhast, ebemeid mitte jätvat lappi. Plaadi puhastamist alustatakse selle keskosast äärte suunas kulgevate sirgjooneliste liigutustega, kasutades selleks üldjuurdepääsetavaid vinüülplaatide puhastusvahendeid.
23. Võimalike kuulmiskahjustuste vältimiseks ei tohi muusikat pikemat aega valjult kuulata.



HOIATUS: KIIRGUSE ALLIKAS

CLASS 1 LASER PRODUCT
LUOKAN 1 LASERLAITE
KLASS 1 LASERAPPARAT

ENNE TÖÖ ALUSTAMIST

Märkused: kompaktplaate puudutavad.

Kuna määratud, kahjustatud või deformeerunud plaadid võivad põhjustada seadme kahjustusi, tuleb tähelepanu pöörata järgnevatel elementidel:

- a. Kasutamiskõlblikud kompaktplaadid. Kasutada võib ainult allpool märgitud plaate.
- b. CD plaadid ainult digitaalse audioheliga.



TÄHELEPANU**Deklaratsioon**

Blaupunkt Competence Center 2N-Everpol Sp. z o.o. teavitab käesolevaga, et seade vastab direktiivi 2014/53 / EL nõuetele ja selle muudele asjakohastele sätetele. Täielik vastavusdeklaratsioon asub leheküljel www.blaupunkt.com toote järjehoidjas.

Vastutav ettevõtte: 2N-Everpol Sp. Z O.O.

Puławska 403A, 02-801 Varssavi, Poola

Telefon: +48 22 331 99 59, e-mail: info@everpol.pl



Toode on toodetud kõrgkvaliteetsetest taastootmisesse suunatavatest ja taaskasutatavatest materjalidest ning allüksustest.



Seadmel paiknev läbitõmmatud prügikorvi sümbol tähendab, et toode on hõlmatud Euroopa direktiivi 2012/19/EU sätetega. Tutvuda kohaliku süsteemi elektriliste ja elektrooniliste jäätmete käitlemist puudutavate nõuetega. Toimida kooskõlas kehtivate eeskirjadega. Käesolevat toodet ei tohi ära visata koos tavaliste olmejäätmetega. Vana toote õige kõrvaldamine väldib potentsiaalseid looduskeskkonnale ja inimtervisele kahju tekitavaid tagajärgi.



Seade on varustatud Euroopa direktiiviga 2013/56/EU hõlmatud patareidega. Patareide äraviskamine koos kodumajapidamisjäätmetega on keelatud. Tutvuda patareide eraldiasetsevalt kogumist käsitlevate kohalike eeskirjadega, sest õige utiliseerimine väldib potentsiaalseid looduskeskkonnale ja inimtervisele kahju tekitavaid tagajärgi.

Looduskeskkonna kaitset käsitlev teave

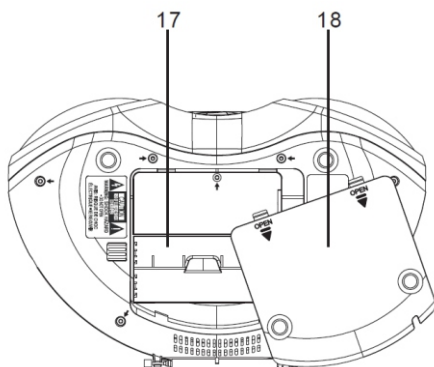
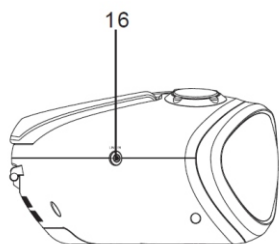
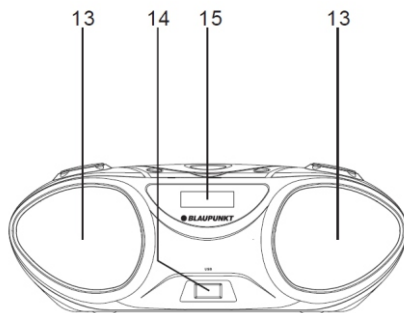
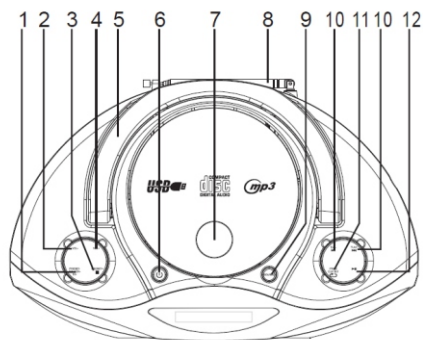
Pakend sisaldab ainult vajalikke elemente. Tehtud on kõik endast olenev, et kolm koostismaterjali oleks hõlpsasti eraldatavad: papp (kast), polüstüreenvaht (seesmine kaitse) ja polüetüleen (kotid, kaitsepoogen). Toode on toodetud materjalidest, mida saab suunata taastootmisesse ja peale nende eriotstarbelise ettevõtte poolt demonteerimist, uuesti kasutada. Järgida pakendmaterjalide, patareide ja kasutatud seadmete utiliseerimist käsitlevaid kohalikke ettekirjutusi.

Materjalide salvestamiseks ja esitamiseks võib vaja minna nõusolekut. Tutvuge autoriõiguse ja esinejate/kunstnike õiguste seadusega.

ERP2 (elektrienergiaga seotud seadmed) puudutav märkus

Käeolev ökoprojektiga seade vastab vastab ökoprojektide nõudeid käsitleva KOMISJONI (EÜ) MÄÄRUSE nr 1275/2008 kontori- ja kodukasutuseks mõeldud seadmete väljalülitatuna ja ooterežiimis energiatarbimist puudutava direktiivi 2009/125/WE jõustava 2. etapi nõuetele.

Juhtelementide asetus



Juhtelementide asetus

- 1 - Preset - / folder + / nupp+ 10
- 2- Nupp Helitugevus -
- 3- Nupp Preset + / paus;
- 4- Nupp Helitugevus +;
- 5- Sang;
- 6- Valmisoleku režiimi nupp;
- 7- CD mängija kate;
- 8- FM antenn;
- 9- Heliallika valiku nupp;
- 10- Häälestamise nupp Tune +/- ja eelmine / järgmine;
- 11- Programmeerimise / kella / korduse nupp
- 12- Esitamise / pausi nupp;
- 13- Kõlar;
- 14- USB
- 15-Kuvar;
- 16- Välise heliallika sisend;
- 17- Patareikamber (toitekaabe sisse peidetud);
- 18- Patareikambri kate;

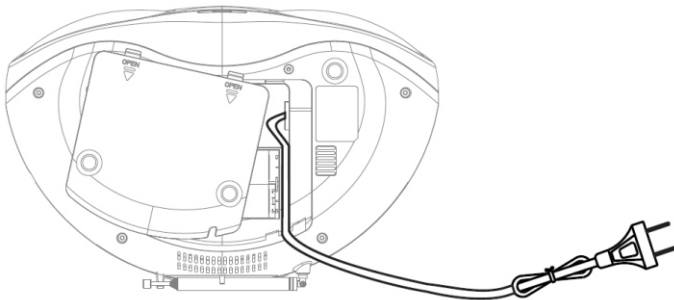
Toiteallikas ja ühendamine

Vahelduvvoolu toide: avage patareikamber ja võtke sellest välja toitekaabel; seejärel tuleb see täielikult lahti kerida ja vedada läbi patareikambri kattes olevast avastast; sulgege patareikambri kate. Toitega ühendamiseks sisestage toitejuhtme pistik AC seinakontakti, seejärel lülitub sisse kuvar. Võrgutoite saadavuse korral lülitub patareitoide automaatselt välja.

Alalisvoolu toide (akutoide): avage patareikambri kate ja sisestage kooskõlas graveeritud positiivse ja negatiivse polaarsuse sümboliga 6tk UM2 / 1,5V tüüpi patareid (ei kuulu komplekti). Seejärel sulgege patareikambri kate.

Märkused:

- a. Tuleb meeles pidada, et toitekaabel on kinnitatud ja peidetud patareikambri sisse.
- b. Tühjade või madala laetuse tasemega patareide tõttu esineb helimoonutus, siis tuleb patareid uute vastu välja vahetada. Patareid tuleb ladustada keskkonnasõbralikul viisil, järgida kohalike võimude nõudeid.
- c. Erinevate tootjate patareisid paigaldada ei tohi; patareid vedeliku lekke vältimiseks tuleb seadme pikema aja jooksul mitte kasutamise korral patareid välja võtta.



Kella seadistamine

Kui peale toite ühendamist lülitub sisse kuvar, tähendab see, et seade on tööks valmisoleku režiimis. Vajutage ja hoidke kella seadistamise nuppu 2 sekundit, kuvaril hakkavad vilkuma tundide numbrid; tunni määramiseks vajutage lühidalt nuppu Tune +/-; valiku kinnitamiseks vajutage uuesti lühidalt kella seadistamise nuppu ja liikuge minutite seadistamisele; määrake minutid nupuga Tune +/- ja vajutage kellaaja määramise lõpetamiseks lühidalt kella seadistamise nuppu.

Märkused:

- Teenindatakse ainult 24-tunnist formaati.
- Kell on saadaval ainult vahelduv- või alalisvoolu toite korral. Toite katkestuse korral palume kellaeg uuesti seadistada.
- Kellaeg ilmub heli esitamise režiimis taas automaatselt kuvarile 5 sekundi möödudes.

CD teenindamine

Seade võib esitada CD / CD-R / CD-RW / MP3 formaadis salvestatud CD plaate. Enne esitamise alustamist kontrollige CD plaadi formaat ja veenduge, et CD plaat on puhas ning kahjustamata.

CD plaadi esitamine: avage CD mängija kate, laadige CD plaat ja sulgege seejärel kate.

Vajutage seadme sisselülitamiseks valmisoleku režiimi nuppu; vajutage CD režiimi sisselülitamiseks allika valiku nuppu; seejärel loeb üksus CD paadi ja hakkab seda automaatselt esitama.

Helitugevuse taseme reguleerimiseks vajutage CD plaatide esitamise režiimis nuppu helitugevus +/-; vajutage esituse peatamiseks ja taaskäivitamiseks nuppu esitus / paus; vajutage esituse peatamiseks peatamise nuppu; vajutage muusikapala valimiseks lühidalt nuppu eelmine või järgmine, muusikapala edasi või tagasi kiirkerimiseks vajutage ja hoidke seda; ühe muusikapala kordamiseks / kõikide kordamiseks / kausta esituse kordamiseks vajutage kordamise nuppu;

Nupu 10+ kiire vajutamine võimaldab valida esituse 10 muusikapala kaupa; kui saadaval on vähemalt 2 kausta (ainult MP3 plaatide korral) vajutage järgneva kausta esitamiseks nuppu folder + 2 sekundi jooksul.

Esituse programmeerimine (kuni 20 muusikapala CD plaadil ja 99 muusikapala MP3 plaatidel): vajutage CD peatamiseks peatamise nuppu; vajutage programmeerimise alustamiseks programmeerimise nuppu; kuvarile ilmub "P01" ja "PROG"; vajutage

ümberlülitamiseks ja muusikapala, mida te programmeerida soovite, valimiseks eelmise või järgmise nuppu ja seejärel, muusikapala P01-na salvestamiseks, programmeerimise nuppu.

Korrake toimingut kuni kuvarile ilmub "P20" või "P99", mis tähendab, et programmeeritav mälu on täis. Programmeeritud muusikapalade esitamiseks vajutage nuppu esitus / paus; esituse programmeeritud seadete ühistamiseks ja kustutamiseks avage CD mängija kate või vajutage kaks korda peatamise nuppu.

FM raadio teenindamine

Enne raadio teenindamise alustamist tuleb FM antenn täies pikkuses välja tõmmata ja proovida seade, parema vastuvõtu saavutamiseks, aknale lähemale asetada.

Skaneerimine ja automaatskaneerimine: FM sageduste astmeliseks häälestamiseks vajutage häälestamise nuppu Tune +/-, saadaolevate jaamade sagedusribal automaatselt üles või alla otsimiseks vajutage ja hoidke seda 2 sekundi jooksul; saadaolevate jaamade skaneerimiseks ja salvestamiseks vajutage ja hoidke programmeerimise nuppu 2 sekundi jooksul, (programmeeritavate jaamade maksimaalne arv on 40). Automaatses režiimis programmeeritud jaamade valimiseks või muutmiseks vajutage nuppu Preset +/-.

Jaamade käsitsi programmeerimine: Peale häälestusnupu Tune +/- abil lemmikjaama väljahäälestamist vajutage kõigepealt programmeerimise nuppu; seejärel vajutage soovitud numbriga valimiseks, mille alla Te jooksva jaama tahate salvestada, eelmise või järgmise nuppu ning vajutage seejärel valiku kinnitamiseks programmeerimise nuppu. Ülejäänud jaamade salvestamiseks korrake ülaltoodud toimingud.

USB esituse teenindamine

Enne USB failide esitamise alustamist tuleb MP3 audiofail kopeerida USB mällu (teenindatakse seadmeid mälu mahuga maksimaalselt 32 GB) ja sisestada seejärel USB mälu õigesti USB pesa. Lülitage seade sisse ja vajutage USB režiimi sisenemiseks mitu korda allika valiku nuppu, seade dekodeerib audiofaili ja käivitab selle esitamise automaatselt.

Vajutage USB režiimis esituse peatamiseks ja taaskäivitamiseks nuppu esitus / paus; vajutage esituse peatamiseks peatamiseks nuppu; vajutage muusikapala valimiseks lühidalt nuppu eelmine või järgmine, muusikapala edasi või tagasi kiirkerimiseks vajutage ja hoidke seda; Ühe muusikapala kordamiseks / kõikide kordamiseks / kausta esituse kordamiseks vajutage kordamise nuppu; vajutage lühidalt nuppu 10+ et valida 10 järgneva raja esituse; kui saadaval on vähemalt 2 kausta vajutage järgneva kausta esitamiseks nuppu folder + 2 sekundi jooksul.

Märkus:

- Pikendusjuhtme kasutamine USB seadme ühendamiseks ei ole soovitatav, sest see võib esitamise ajal häireid põhjustada
- Seoses erinevate konstruktsioonide ja tootjatega ei ole kõikide USB seadmete teenindamine tagatud.
- Kõikide MP3 failide õigesti esitamine ei ole tagatud.

Režiimi AUX IN / Liinisend / MP3 Link teenindamine

Ühendage seadme tagapaneelil asuv pesa LINE IN audiojuhtme 3,5 mm abil välise seadme audio väljundsignaaliga (nt MP3 mängija jms). Režiimi LINE IN sisenemiseks lülitage seade sisse ja vajutage allika valiku nuppu; Valige ja mängige väliselt seadmelt muusika ning heli esitatakse käesoleva seadme kõlarite abil. Tuleb pöörata tähelepanu sellele, et peajuhtimine toimub välise mängija abil ja käesolevas seadmes võib reguleerida helitugevuse taset.

Spetsifikatsioon

Toiteallikas: AC toidel 230V / 50Hz;

DC toide 9V (6 tk x UM2, 1.5V, patareid ei kuulu komplekti);

FM sagedus: 87,5 ~ 108,0 MHz;

RMS väljundvõimsus: 2 x 1Watt;

USB väljundpinge: 5V / 100Ma;

USB pordi parameetrid: kuni 32 GB mälu teenindamine, MP3 audiofailid;

CD mängija optika: 3 pooljuht laservihku;

Võimsustarbimine: 12W

Võimsustarbimine tööks valmisoleku režiimis: <1W

(üältoodud spetsifikatsioon võib ilma eelneva hoiatamiseta muudatustele alluda)

Probleemide lahendamine

1. Seadet ei saa sisse lülitada.

a. Kontrollige, et DC toide oleks õigesti ühendatud.

b. Probleemide korral võtke ühendust teeninduskeskusega.

2. Raadiojaam kõlab halvasti.

a. Parema vastuvõtu saamiseks palume nihutada seade akna lähedusse või reguleerida antenni suunda.

b. Proovige lülitada ümber muule jaamale.

c. Probleemide korral võtke ühendust teeninduskeskusega.

3. Seade ei suuda CD plaati või USB mälu lugeda.

a. Palume kontrollida, kas CD plaat või audiofail on veatud.

b. Probleemide korral võtke ühendust teeninduskeskusega.

SVARBIOS SAUGOS INSTRUKCIJOS

ĮSPĖJIMAS

**ELEKTROS SMŪGIO
GRĖSMĖ
DRAUDŽIAMA ATIDARYTI**
Svarbios saugos instrukcijos
Įspėjimas:

Kad sumažintumėte elektros smūgio riziką, draudžiama išmontuoti įrenginio dangtelį ar galinę dalį. Įrenginyje nėra komponentų skirtų vartotojui savarankiškai taisyti. Techninė priežiūra ir remontas aptarnaujami tik kvalifikuoto techninio personalo.

Grafinių simbolių paaiškinimas:


Žaibo simbolis užbaigtas rodykle lygiakraščiame trikampyje įspėja vartotoją apie neizoliuotą "pavojingą įtampą" esančią įrenginio korpusė, kuri gali pasiekti dydį sukeltantį elektros smūgio pavojų.



Šauktuko ženklas lygiakraščiame trikampyje įspėja vartotoją, kad šiame punkte pateikiama svarbi informacija apie įrangos veikimą ir techninę priežiūrą dokumentuose pateikiamuose su įrenginiu.

Prašome perskaityti šias instrukcijas prieš pradėdami įrenginio naudojimą, kad susipažintumėte su jo funkcijomis ir naudoti jį taip, kaip numatyta. Tai užtikrins ilgalaikį įrenginio veikimą be gedimų ir jo naudojimo malonumą.

Svarbi informacija

- Privaloma išsaugoti šias naudojimo instrukcijas ir saugos informaciją būsimam naudojimui.
- Neleiskite skysčiams lašėti ar išsilieti ant įrenginio.
- Draudžiama taip pat naudoti jį drėgnose vietose, pvz. vonios kambaryje.
- Draudžiama įrengti šį įrenginį tokiose vietose:
- Vietos neapsaugotos nuo tiesioginių saulės spindulių ar šalia radiatorių.
- Dėti jį ant viršaus kitos stereofoninės įrangos, kuri išleidžia šilumą.
- Blokuojant ventiliaciją arba dulktę vietoje.
- Vietose, kuriose vyksta nuolatinė vibracija.
- Vietose, kur yra didelė drėgmė.
- Draudžiama dėti įrenginį arti žvakių ar atviros liepsnos.
- Įrenginys gali būti naudojamas tik šiame vadove aprašytu būdu.
- Prieš įjungdami maitinimą pirmą kartą, įsitikinkite, kad srovės adapteris yra tinkamai prijungtas.
- USB atmintinė jungiama tiesiogiai arba su USB pratęsimo laidu iki 25 cm ilgio.

Dėl saugumo priežasčių, draudžiamas gaubtų išmontavimas bei įrenginio vidaus atskleidimas. Įrenginio remontas turėtų būti aptarnaujamas kvalifikuoto techninio personalo. Draudžiama ardyti įrenginį bei atidarinėti jo korpusą, nes jo viduje nėra jokių dalių, kurias galėtų naudotojas pataisyti. Techninė priežiūra ir remontas aptarnaujami tik kvalifikuoto techninio personalo.

SAUGOS INSTRUKCIJOS



1. Perskaitykite instrukcijas – prieš naudodami įrenginį perskaitykite visą naudojimo instrukciją ir saugos informaciją.
2. Išsaugokite instrukcijas – privaloma išsaugoti naudojimo ir valdymo instrukcijas būsimam naudojimui.
3. Laikykitės įspėjimų – privaloma laikytis visų prietaiso įspėjimų pateiktų ant įrenginio ir vadovautis naudojimo instrukcijomis.
4. Laikykitės instrukcijų – privaloma vadovautis naudojimo instrukcijomis bei nurodymais vartotojui.
5. Diegimas – nustatykite įrenginį pagal gamintojo instrukcijas.
6. Maitinimo šaltiniai – įrenginys turi būti maitinamas tik iš šaltinių, kurių parametrai nurodyti maitinimo laido žymenyse. Jei vartotojas nėra tikras, kokios energijos tipą turi namuose, turėtų susisiekti su savo įrenginio platintoju arba vietiniu elektros energijos tiekėju.
7. Maitinimo šaltinio įžeminimas arba poliarizacija – įrenginys neturi būti įžemintas. Privaloma įsitikinti, kad kištukas yra visiškai įdėtas į elektros tinklo lizdą arba pratęsimo laidą, kad išvengti kaiščių ar kontaktų ekspozicijos. Kai kuriose įrenginio versijose gali būti polarizuotas kintamosios srovės maitinimo kaitis (su vienu platesniu kaiščiu). Šis kištukas gali būti įjungtas į elektros tinklo lizdą tik vienu būdu. Tai apsaugos funkcija. Jei negalite įkišti kištuko į lizdą, pabandykite jį apsukti. Jei kištukas vis dar netelpa į lizdą, elektrikas turėtų jį pakeisti. Draudžiama nuimti apsaugos priemonės nuo polarizuoto kištuko. Jeigu naudojamas pratęsimo laidas ar maitinimo laidas kitokie nei pateikti kartu su įrenginiu, jie turėtų turėti tinkamus kištukus ir saugos sertifikatus reikalaujamus tam tikroje šalyje.
8. Maitinimo laido apsaugos priemonės – maitinimo kabeliai turi būti nuvesti taip, kad po juos negalėtumėte vaikščioti, jų prispausti ar prikirsti padėtais objektais. Atkreipkite ypatingą dėmesį į kištukus, maitinimo lizdus ir vietas, kuriose laidai išvesti iš įrenginio.
9. Perkrovimas – draudžiama perkrauti sieninius lizdus, pratęsimo laidus ir elektros kirstytuvus, nes tai gali sukelti gaisrą arba elektros smūgį.
10. Vėdinimas – įrenginys turi būti tinkamai vėdinamas. Draudžiama dėti įrenginį ant lovos, sofos ar ant panašių paviršių. Draudžiama pridengti įrenginį staltiesėmis, servetėlėmis, laikraščiais ir pan.
11. Šiluma – nedėkite įrenginio arti šilumos šaltinių, tokių kaip šildytuvai, radiatoriai, krosnys ar kiti prietaisai (įskaitant stipriklisius), kurie gamina šilumą. Nedėkite ant įrenginio uždegtų žvakių ar kitokių atviros ugnies šaltinių.
12. Vanduo ir drėgmė – norėdami sumažinti gaisro ar elektros smūgio pavojų, saugokite įrenginį nuo tiesioginio lietaus, vandens ir drėgmės poveikio, tokio kaip pvz. saunoje ar vonioje. Nenaudokite šio įrenginio šalia vandens, pavyzdžiui, prie vonios, kriauklės, virtuvės ar kubelio, šlapiame rūsyje arba prie baseino (ar panašiose vietose).
13. Objektai ir skysčiai įrenginyje – draudžiama kišti bet kokius daiktus per įrenginio angas, nes jie gali liestis su pavojingos įtampos taškais ir komponentais, dėl ko gali kilti gaisras arba įvykti elektros smūgis. Griežtai draudžiama išpilti bet kokius skysčius ant įrenginio paviršiaus. Draudžiama dėti ant įrenginio viršaus objektus, kuriuose yra skysčių.
14. Valymas – prieš valydami visada išjunkite įrenginį iš elektros tinklo lizdo. Dulkes aplink garsiakalbį galima nuvalyti sausu skudurėliu. Jei valymui naudojamas aerosolis, nepatartina kreipti purškimo srauto tiesiai į prietaisą, bet ant skudurėlio. Būkite atsargūs, kad nesugadintumėte pavaros įtaisų.
15. Papildoma įranga – draudžiama naudoti priedus, kurie nėra patvirtinti gamintojo, nes jie gali kelti pavojų.
16. Priedai – draudžiama statyti įrenginį ant nestabilaus vežimėlio, stovo, trikojo, atramos ar stalo. Prietaisas gali apsiversti ir susigadinti, bei sunkiai sužeisti vaiką ar suaugusį asmenį. Privaloma naudoti tik gamintojo nurodytus vežimėlius, stovus, trikojus, atramas ar stalus arba parduodamus kartu su įrenginiu. Įrenginio surinkimą privaloma atlikti pagal gamintojo instrukcijas naudodami gamintojo rekomenduojamą surinkimo komplektą.

17. Prietaiso perkėlimas – ant vežimėlio padėtą įrenginį būtina stumti labai atsargiai. Staigus stabdymas, per didelė jėga arba netolygūs paviršiai gali sukelti vežimėlio išsivertimą kartu su įrenginiu.
18. Įrenginio nenaudojimo laikas – atjunkite maitinimo laidą nuo elektros lizdo audros su žaibais metu arba jeigu įrenginys nebus naudojamas ilgą laiką.
19. Techninis aptarnavimas – draudžiama savarankiškai bandyti asmeniškai naršyti įrenginį. Dangčio atidarymas gali sukelti kontaktą su pavojinga įtampa ir sukelti vartotojui kitus pavojus. Techninė priežiūra ir remontas aptarnaujami tik kvalifikuoto techninio personalo.
20. Kai įrenginys nenaudojamas, atjunkite jo maitinimo kištuką nuo elektros lizdo. Kai prietaisas prijungtas prie maitinimo šaltinio, jis veikia budėjimo režime ir nėra visiškai išjungtas.
21. Atsarginės dalys – keičiant dalis, įsitikinkite, kad techninės priežiūros darbuotojas panaudojo gamintojo rekomenduotas atsargines dalis arba kad dalys yra identiškos originalioms dalims. Nepatvirtintų dalių panaudojimas sukelia gaisro, elektros smūgio pavojų ar kitus pavojus.
22. Pagrindiniai saugikliai – kad prietaisas būtų nuolat apsaugotas nuo gaisro, naudokite tinkamo tipo ir parametrų saugiklius. Saugiklių parametrai tam tikrame įtampos diapazone yra pažymėti ant įrenginio.
23. Draudžiama didinti garsumą klausydami nedidelio garsumo kūrinių dalies arba nesant įvesties audio signalui. Kitaip garsiakalbis gali sugesti jei signalo stiprumas sparčiai padidėja.
24. Vienintelis būdas visiškai atjungti įrenginį nuo maitinimo šaltinio tai ištraukti maitinimo laidą iš elektros srovės lizdo arba iš įrenginio. Naudojant įrenginį, visada turi būti prieinamas elektros tinklo lizdas arba maitinimo laido jėjimas į įrenginį.
25. Įrenginys turi būti dedamas šalia maitinimo tinklo lizdo arba pratęsimo laido taip, kad jis visada būtų prieinamas.
26. Didžiausia įrenginio aplinkos temperatūra tai 35°C.
27. Patarimai dėl elektrostatiinių iškrovų - jei prietaiso veiksmingumas yra veikiamas elektrostatiinių iškrovimų, išjunkite jį ir vėl įjunkite arba perkelkite įrenginį į kitą vietą.
28. Baterija
 - a. Baterijos negali būti veikiamos per didelės temperatūros, pavyzdžiui, saulės spindulių, ugnies ir tt.
 - b. Išmesdami baterijas, atkreipkite dėmesį į aplinkosaugos aspektus.
 - c. Įspėjimas dėl baterijų naudojimo: norėdami išvengti baterijų nutekėjimo, dėl kurio galite sužaloti savo kūną ar sugadinti įrenginį:
 - Įdėdami bateriją atkreipkite dėmesį į jos poliarizaciją (+ ir -).
 - Nenaudokite skirtingų baterijų tuo pačiu laiku - senų ir naujų, standartinių ir šarminių baterijų ir kt.
 - Ilgesnį laiką nesinaudojant įrenginiu, išimkite iš jo baterijas.

ĮSPĖJIMAS

Įrenginiu neturėtų naudotis asmenys (įskaitant vaikus), turintys mažesnes fizines, juslines ar psichines galimybes, ir asmenys, neturintys pakankamai žinių ir patirties, jei jie nėra prižiūrimi asmenų atsakingų už jų saugą, ir nebuvo jiems nurodyta, kaip saugiai naudoti įrenginį. Suaugusių asmenų buvimas reikalingas, jei vaikai naudoja prietaisą; tai užtikrins saugų įrenginio naudojimą.

1. Niekada nepalikite veikiančio įrenginio be priežiūros. Išjunkite prietaisą, kai jis nenaudojamas, net trumpą laiką.
2. Prietaiso negalima valdyti per išorinį laikrodį su sinchronizavimo grandinėmis arba per atskirą nuotolinio valdymo sistemą.
3. Norėdami išvengti pavojaus maitinimo laido sužalojimo atveju, jį pakeisti turėtų gamintojas, įgaliotas aptarnavimo centras ar kitas kvalifikuotas asmuo.
4. Prieš pradėdami įrenginio naudojimą patikrinkite, ar jo įtampa atitinka vietos maitinimo įtampą.

5. Draudžiama uždengti prietaiso ventiliacijos angas, pvz. laikraščiais, staltiese, užuolaidomis ir pan. Įsitikinkite, kad virš įrenginio yra ne mažiau kaip 20 cm laisvos vietos ir bent 5 cm iš kiekvienos jo pusės.
6. Neleiskite, kad ant įrenginio nutekėtų ar išsilietų skystis, be to, nedėkite ant jo pripildytų skysčiais objektų, tokių kaip vazos.
7. Norėdami išvengti gaisro ar elektros smūgio, apsaugokite prietaisą nuo karštų vietų, lietaus, drėgmės ir dulkių poveikio.
8. Draudžiama statyti įrenginį arti bent kokių vandens šaltinių, pvz. čiaupų, vonių, skalbimo mašinų ar plaukiojimo baseinų. Įrenginį dėkite ant lygaus ir stabilaus paviršiaus.
9. Saugokite įrenginį nuo stipraus magnetinio lauko.
10. Draudžiama statyti įrenginį tiesiai ant stiprintuvo ar AV imtuvo.
11. Draudžiama statyti įrenginį drėgnoje vietoje, nes drėgmė neigiamai veikia elektrinius komponentus.
12. Kai įrenginys atnešamas iš šaltos į šiltą vietą arba į drėgną vietą, ant objektyvo, esančio grotuvo viduje, gali įvykti drėgmės kondensacija. Tokiu atveju įrenginys dirbs netinkamai. Palikite įrenginį maždaug vienai valandai, kad drėgmė išgaruotų.
13. Draudžiama valyti įrenginį cheminiais tirpikliais, nes jie gali pažeisti dengiamąjį laką. Prietaisą valykite švariu, sausu arba šiek tiek drėgnu skudurėliu.
14. Ištraukdami kištuką iš sieninio lizdo, visada traukite už kištuko, niekadus už maitinimo laido.
15. Jeigu įjungtas įrenginys naudojamas šalia įjungto televizoriaus, jis gali sukelti vaizdo iškreipimą linijos ekrane pavidalu. Tai priklauso nuo TV transliacijos bangų juostos. Tai nereiškia, kad įrenginys arba televizorius yra sutrikę. Jei matote tokias linijas, atitolinkite įrenginį nuo televizoriaus.
16. Maitinimo kištukas naudojamas maitinimo įtampos atjungimui ir visada turėtų būti prieinamas.
17. Nirėdami skirtą kompaktiniams diskams skaityti lazerio galvutę išlaikyti švarioje, draudžiama ją liesti ir būtina visada uždarinėti diskų dėklą.
18. Atkūrimo metu, diskas sukasi dideliu greičiu. DRAUDŽIAMA kelti ir stumdyti įrenginį atkūrimo metu, nes tai gali sugadinti diską arba patį įrenginį.
19. Prieš perkeldami įrenginį į kitą vietą arba perkėlimo laikui, išimkite diską ir uždarykite diskų dėklą. Po to išjunkite maitinimą ir atjunkite maitinimo kabelį. Įrenginio perkėlimas su disku dėkle gali sugadinti įrenginį.
20. Atkūrus diską įdėkite jį į pakuotę. Saugokite diskus nuo tiesioginių saulės spindulių ir šilumos šaltinių poveikio. Draudžiama palikti diskus automobilio stovinčio saulėje viduje.
21. Draudžiama liesti disko pusę be etiketės. Laikykite diskus už kraštų, kad nepaliktų pirštų atspaudų. Dulkės, pirštų atspaudai ar įbrėžimai diskuose gali būti netinkamo grotuvo veikimo priežastis. Draudžiama lipdyti lapelius ar lipniąją juostą ant disko. 
22. Disko valymui naudokite švarią šluostę be pūkelių. Pradėkite valymą tiesioginiu judesiu nuo disko centro ties jo krašto, naudojant įprastas valymo priemonės arba antistatinės priemonės skirtas vinilinėms plokštelėms.
23. Norėdami išvengti galimo klausos praradimo, ilgai neklausykite garsios muzikos. 



ĮSPĖJIMAS: SPINDULIAVIMO ŠALTINIS

CLASS 1 LASER PRODUCT
LUOKAN 1 LASERLAITE
KLASS 1 LASERAPPARAT

PRIEŠ PRADEDANT DARBĄ

Pastabos: apie kompaktinius diskus.

Kadangi nešvarūs, pažeisti ar deformuoti diskai gali sugadinti įrenginį, atkreipkite dėmesį į šiuos elementus:

- Kompaktiniai diskai, kuriuos galite naudoti. Gali būti naudojami tik žemiau nurodytus diskus.
- CD diskai tiktai su skaitmeniniu audio garso įrašu.



DĖMESIO



Deklaracija

Šiuo Blaupunkt Competence Center 2N-Everpol Sp. z o.o. deklaruoja, kad šis įrenginys atitinka Direktyvos 2014/53 / ES reikalavimus ir kitas atitinkamas nuostatas. Visą atitikties deklaraciją galite rasti interneto svetainėje www.blaupunkt.com gaminio skyriuje.

Atsakingas subjektas 2N-Everpol Sp. Z o.o.

Puławska 403A, 02-801 Warszawa, Polska

Telefonas: +48 22 331 99 59, e. paštas: info@everpol.pl



Produktas pagamintas iš aukštos kokybės medžiagų ir komponentų, kuriuos galima perdirbti ir pakartotinai naudoti.



Jei ant jūsų įrenginio randasi išbrauktas šiukšliadėžės žymeklis, tai reiškia, kad gaminį reglamentuoja Europos direktyvos 2012/19 /ES nuostatos. Privaloma susipažinti su vietos elektros ir elektroninių atliekų surinkimo sistemos reikalavimais. Privaloma laikytis vietinių taisyklių. Draudžiama išmesti šį įrenginį kartu su įprastomis buitinėmis atliekomis. Tinkamas senojo produkto pašalinimas užtikrins galimų neigiamų pasekmių aplinkai ir žmonių sveikatai prevenciją.



Šiame įrenginyje yra baterijos, kurioms taikoma Europos direktyva 2013/56/ES. Baterijas draudžiama išmesti kartu su buitinėmis atliekomis. Privaloma susipažinti su vietos atskirų medžiagų rinkimo reglamentus, nes dėl teisingo šalinimo bus išvengta galimų neigiamų pasekmių aplinkai ir žmonių sveikatai.

Informacija apie aplinkos apsaugą

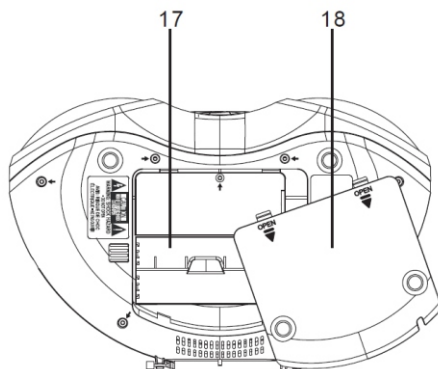
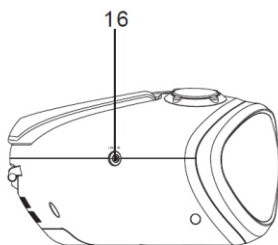
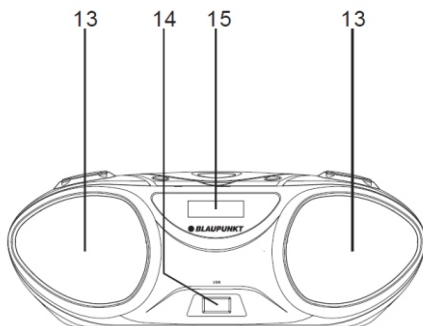
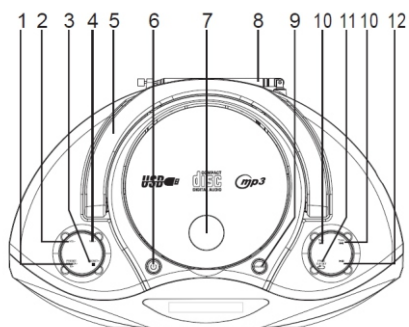
Pakuotėje yra tik būtini elementai. Buvo imtasi visų pastangų, kad būtų galima lengvai atskirti tris pakuotės sudedamąsias dalis: kartoną (dėžė), polistirolu putplastį (apsauginė dangą) ir polietileną (krepšeliai, apsauginis lakštas). Prietaisas pagamintas iš medžiagų, kurios gali būti perdirbamos ir pakartotinai panaudotos, kai jas išmontuoja specializuota įmonė. Privaloma laikytis vietinių pakavimo medžiagų, sunaudotų baterijų ir nereikalingų įrenginių šalinimo taisyklių.

Medžiagų įrašymui ir atkūrimui gali reikėti sutikimo. Žr. autorių teisių ir atlikėjų/artistų teisių įstatymą.

Pastaba apie ERP2 (su energija susijusią įrangą)

Šis ekologinio projektavimo įrenginys atitinka Komisijos reglamento (EB) Nr. 1275/2008, kuriuo įgyvendinama Direktyva 2009/125/EB dėl nenaudojamų ir budėjimo režimo elektroninių prietaisų energijos vartojimo biuro ir buities reikmėms, 2 etapui.

Valdymo elementų vieta



Valdymo elementų vieta

- 1- Preset - / aplankas + / mygtukas + 10
- 2- Mygtukas Garsumas -
- 3- Mygtukas Preset + / sustabdymas;
- 4- Mygtukas Garsumas +;
- 5- Rankena;
- 6- Parengties būsenos mygtukas;
- 7- CD grotuvo dangtelis;
- 8- FM antena;
- 9- Garso šaltinio pasirinkimo mygtukas;
- 10- Tune nustatymo mygtukas +/- į ankstesnį/ sekantį
- 11- Programavimo / laikrodžio / kartojimo mygtukas
- 12- Įjungimo / pauzės mygtukas;
- 13- Garsiakalbis;
- 14- USB
- 15- Displėjus;
- 16- Išorinio garso šaltinio įėjimas;
- 17- Baterijų skyrius (maitinimo laidas paslėptas viduje);
- 18- Baterijų skyriaus dangtelis;

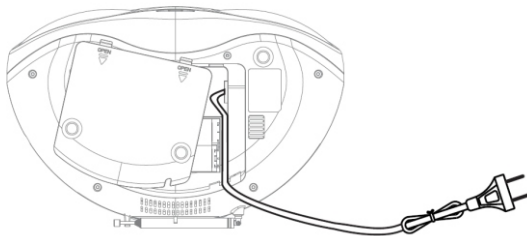
Maitinimo šaltinis ir prijungimas

AC maitinimas: atidarykite baterijų skyriaus dangtelį ir ištraukite maitinimo laidą; po to visiškai jį ištieskite ir perdėkite jį per baterijų skyriaus dangtelyje esančią skylę; uždarykite baterijų skyriaus dangtelį. Įjunkite maitinimo laido kištuką į sieninį lizdą (AC), norint gautumėte maitinimą, po to įsijungs displėjus. Baterijų energija automatiškai atjungiamą, kai yra tinklinis maitinimas.

DC maitinimas (akumuliatoriaus energija): atidarykite baterijų skyriaus dangtelį ir įdėkite 6vnt. UM2 / 1,5V tipo baterijų (nėra jų rinkinyje) pagal graviruotą teigiamą ir neigiamą polarizacijos simbolį. Tada uždarykite baterijų skyrių.

Pastabos:

- a. Atkreipkite dėmesį, norint maitinimo laidas yra pritvirtintas ir paslėptas baterijų skyriaus viduje.
- b. Garsas bus iškraipytas dėl baterijų išsikrovimo ar mažo įkrovimo, pakeiskite baterijas naujomis. Baterijos turi būti saugomos ekologiškai, reikia laikytis vietos valdžios reikalavimų.
- c. Nenaudokite vienu metu įvairių gamintojų baterijų; norėdami išvengti skysčių nutekėjimo, išimkite baterijas, jei nenaudojate prietaiso ilgą laiką.



Laikrodžio nustatymas

Jei įjungus maitinimą displėjus įjungtas tai reiškia, norint prietaisas veikia parengties darbui režime. Paspauskite ir palaikykite laikrodžio nustatymo mygtuką 2 sekundes, valandos skaitmenys pradės mirksėti displėjuje; trumpai spauskite mygtuką Tune +/-, dėl valandos pritaikymo; pakartotinai trumpai spauskite laikrodžio nustatymo mygtuką, dėl pasirinkimo patvirtinimo ir perėjimui į minučių nustatymą; nustatykite minutes su mygtuku Tune +/- ir trumpai spauskite laikrodžio nustatymo mygtuką, dėl laiko nustatymo užbaigimo.

Pastabos:

- Palaikomas tik 24 valandų formatas.
- Laikrodis prieinamas tik AC arba DC maitinimo atveju. Prašome pakartotinai nustatyti laikrodžio laiką elektros energijos tiekimo sutrikimo atveju.
- Po 5 sekundžių grojimo režime automatiškai displėjuje bus atnaujintas laikrodžio rodymas.

CD palaikymas

Įrenginys gali atkurti CD diskus įrašytus formate CD / CD-R / CD-RW / MP3. Prieš pradėdant naudoti, pirmiausiai patikrinkite kompaktinio disko formatą ir įsitikinkite ar kompaktinis diskas yra švarus ir nepažeistas.

CD diskų paleidimas: atidarykite CD grotuvo dangtelį ir įdėkite CD diską, po to uždarykite dangtį. Paspauskite parengties būsenos mygtuką, norint, kad įsijungtų įrenginys; spauskite šaltinio pasirinkimo mygtuką, norint, kad įsijungtų CD režimas; tada įrenginys nuskaitys CD diską ir automatiškai jį paleis.

CD diskų paleidimo režime norint nustatyti garso lygį spauskite garsumą +/-; spauskite įjungimo / pauzės mygtuką norint sustabdyti ar atnaujinti grojimą; spauskite sustabdymo mygtuką norint sustabdyti grojimą; trumpai spauskite mygtuką ankstesnis arba sekantis norint pasirinkti kūrinį, jį spauskite ir prilaikykite norint greitai pasukti kūrinį pirmyn arba atgal; spauskite pakartojimo mygtuką norint pakartoti vieną kūrinį / kartoti visus / kartoti aplanko atkūrimą;

Trumpas 10+ mygtuko paspaudimas leidžia kartoti atkūrimą kas 10 kūrinių; spauskite mygtuką aplankas + per 2 sekundes norint perjungti atkūrimą iš kito aplanko, kai yra bent 2 aplankai (tik MP3 diskų atveju)

Atkūrimo programavimas (iki 20 kūrinių CD diske ir 99 kūrinių MP3 diske):

spauskite sustabdymo mygtuką norint sustabdyti CD grojimą; spauskite programavimo mygtuką norint pradėti programavimą; displėjuje pasirodys "P01" ir "PROG"; spauskite mygtuką ankstesnis arba sekantis norint perjungti ir pasirinkti kūrinį, kurį norite užprogramuoti, o po to spauskite programavimo mygtuką norint patvirtinti pasirinkimą; kūriny bus išsaugotas kaip P01. Kartokite veiksmą, kol displėjuje pasirodys "P20" arba "P99", kas reiškia, kad programuojama atmintis užpildyta. Paspauskite įjungimo / pauzės mygtuką norint įjungti užprogramuotus kūrinius; atidarykite CD grotuvo dangtį arba du kartus spauskite sustabdymo mygtuką norint atšaukti ir pašalinti užprogramuotus grojimo nustatymus.

FM radijo palaikymas

Prieš įjungiant radiją reikia ištraukti visą FM antenos ilgį, pabandykite pastatyti įrenginį šalia lango, kad gautumėte geresnį signalą.

Skenavimas ir automatinis skenavimas: spauskite reguliacijos mygtuką Tune +/- norint palaipsniui sureguliuoti FM dažnį, spauskite ir palaikykite per 2 sekundes norint automatiškai perieškoti prieinamas radijo stotis dažnio juostoje į viršų ir š apačią; spauskite ir palaikykite programavimo mygtuką per 2 sekundes norint automatiškai nuskaityti ir išsaugoti prieinamas radijo stotis (maksimalus užprogramuotų nustatytų stočių skaičius tai 40). Paspauskite mygtuką Preset +/- norint pasirinkti ar pakeisti užprogramuotas automatiname režime stotis.

Rankinis stočių programavimas: Po mėgstamiausios stoties nustatymu su reguliacijos mygtuku Tune +/- spauskite pirmiausiai programavimo mygtuką; o po to spauskite mygtuką ankstesnis arba sekantis norint pasirinkti norimą numerį, prie kurio norite prirašyti esamą stotį, po to spauskite programavimo mygtuką norint patvirtinti pasirinkimą. Jei norite išsaugoti daugiau stočių, pakartokite anksčiau pateiktus veiksmus.

USB atkūrimo palaikymas

Prieš pradėdami leisti USB failus, nukopijuokite MP3 garso failus į USB atmintinę (palaikomi įrenginiai, kurių talpa ne didesnė kaip 32 GB), o po to įdėkite USB atmintinę į USB lizdą. Įjunkite įrenginį ir paspauskite kelis kartus šaltinio pasirinkimo mygtuką norint pereiti į USB režimą, įrenginys automatiškai iššifruoja garso failą ir pradės jį atkurti.

USB režime paspauskite įjungimo / pauzės mygtuką norint sustabdyti ar atnaujinti grojimą; paspauskite sustabdymo mygtuką norint sustabdyti grojimą; trumpai spauskite mygtuką ankstesnis arba sekantis norint pasirinkti kūrinį, jį paspauskite ir prilaikykite norint greitai pasukti kūrinį pirmyn arba atgal; paspauskite pakartojimo mygtuką norint pakartoti vieną kūrinį / kartoti visus / kartoti aplanko atkūrimą; trumpas 10+ mygtuko paspaudimas leidžia kartoti atkūrimą kas 10 kūrinių, paspauskite mygtuką aplankas + per 2 sekundes norint perjungti atkūrimą iš kito aplanko, kai yra bent 2 aplankai,

Pastabos:

- USB jungties prijungimo pratęsimo kabelio naudojimas nerekomenduojamas, nes atkūrimo metu jis gali sukelti trukdžius
- Negalima garantuoti, kad visi USB įrenginiai bus palaikomi dėl įvairių konstrukcijų ir gamintojų.
- Negalima garantuoti, kad visi MP3 failai bus atkuriami teisingai.

AUX IN / Linijinio įjungimo / MP3 Link režimo palaikymas

Su 3,5 mm garso kabeliu, prisijunkite prie LINE IN lizdo įrenginio užpakaliniame skydelyje su išorinio grotuvo garso išvestimi (pvz. MP3 grotuvas ir pan.). Įjunkite įrenginį ir paspauskite šaltinio pasirinkimo mygtuką norint pereiti į LINE IN režimą; pasirinkite ir atkurkite išorinio grotuvo muziką ir garsas bus atkuriamas per šio prietaiso garsiakalbius. Atkreipkite dėmesį, kad pagrindinis valdymas atliekamas per išorinį grotuvą, o jūs galite reguliuoti šio įrenginio garsumą.

Specifikacija

Maitinimo šaltinis: AC 230V / 50Hz;

DC maitinimas 9V (6 vnt. x UM2, 1.5V, nėra baterijų rinkinyje);

FM dažnis: 87,5 ~ 108,0 MHz;

RMS išėjimo galia: 2 x 1Watt;

USB išėjimo galia: 5V / 100Ma;

USB lizdo parametrai: palaiko atmintį iki 32 GB, MP3 garso failus;

CD grotuvo optika: 3 puslaidininkiniai lazerio spinduliai;

Energijos suvartojimas: 12W

Energijos suvartojimas parengties režime: <1W

(pirmiau nurodytos specifikacijos gali būti keičiamos be išankstinio įspėjimo)

Problemų šalinimas

1. Neįmanoma įjungti įrenginio.

- Patikrinkite, ar DC maitinimas buvo tinkamai prijungtas.
- Kilus problemoms, kreipkitės į serviso centrą.

2. Radijo stotis skamba blogai.

- Prašome perstumti įrenginį arčiau lango arba pataisykite antenos kryptį, norint gauti geresnį signalą.
- Pabandykite pereiti į kitą stotį.
- Kilus problemoms, kreipkitės į serviso centrą.

3. Įrenginys negali nuskaityti CD disko arba USB atmintinės.

- Patikrinkite, ar CD diskas arba garso failas yra teisingas.
- Kilus problemoms, kreipkitės į serviso centrą.

POMEMBNA POROČILA O VARNOSTI



POZOR



NEVARNOST ELEKTRIČNEGA
UDARA
NE ODPIRATI

Pomembna poročila o varnosti

Pozor:

Da bi zmanjšali nevarnost električnega udara, ne razstavljajte pokrova in zadnjega dela naprave. Znotraj naprave ni elementov, ki bi jih lahko uporabnik samostojno popravil. Vzdrževalna dela in popravila lahko opravljajo le usposobljeni serviserji.

Razlaga grafičnih simbolov:



Simbol strele s puščico na koncu, v enakostraničnem trikotniku opozarja uporabnika na neizolirano »nevarno napetost« v ohišju naprave. Napetost lahko doseže vrednost, ki predstavlja tveganje električnega udara.



Klicaj v enakostraničnem trikotniku opozarja uporabnika na pomembne informacije o uporabi in vzdrževanju naprave, ki jih vsebuje dokumentacija, priložena napravi.

Prosimo, da pred uporabo naprave preberete ta navodila, da bi se seznanili s funkcijami naprave in jo uporabljali skladno z namenom. S tem lahko zagotovite dolgotrajno, nemoteno in prijetno uporabo naprave.

Pomembni podatki

- Shranite ta navodila za uporabo in poročila o varnosti, ker jih boste lahko potrebovali v prihodnosti.
 - Ne dovolite, da se na napravo razlije oziroma nanjo kaplja tekočina.
 - Naprave ne uporabljajte v vlažnih prostorih, kot je na primer kopalnica.
 - Naprave ne smete namestiti na naslednji način:
 - Naprava ne sme biti izpostavljena neposrednemu vplivu sončnih žarkov oz. se ne sme nahajati v bližini grelcev.
 - Naprava se ne sme postaviti na drugo stereofonsko napravo, ki oddaja toploto.
 - Naprava ne sme ovirati prezračevanja oz. se ne sme nahajati v zaprašenem prostoru.
 - Naprava ne sme biti izpostavljena stalnim vibracijam.
 - Naprava se ne sme nahajati v prostorih z visoko vlažnostjo.
 - Naprava se ne sme nahajati v bližini sveč ali odprtega ognja.
 - Napravo uporabljajte le na način, opisan v teh navodilih.
- Pred prvim vklopom napajanja se je treba prepričati, da je napajalnik pravilno priključen. USB-spomin se priklopi neposredno oz. s pomočjo USB-podaljška z dolžino do 25 cm.

Zaradi varnosti ni dovoljeno razstavljanje ohišja oz. pronicanje v notranjost naprave. Napravo lahko popravi le usposobljeno servisno osebje.

Ne razstavljajte in ne odpirajte ohišja naprave, kajti noter ni delov, ki bi jih lahko popravil uporabnik. Vzdrževalna dela in popravila lahko opravljajo le usposobljeni serviserji.

POROČILA O VARNOSTI

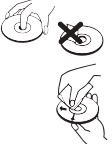
1. Preberite navodila za uporabo – pred uporabo naprave je treba prebrati vsa navodila za uporabo in poročila o varnosti.
2. Shranite navodila za uporabo – navodila za uporabo je treba shraniti za primer kasnejše uporabe.
3. Upoštevajte opozorila – ukrepajte skladno z vsemi opozorili, ki jih vidite na napravi ter z opozorili, omenjenimi v navodilih za uporabo.
4. Sledite navodilom – ukrepajte skladno z navodili za uporabo in nasveti za uporabnika.
5. Namestitev – napravo postavite skladno s proizvajalčevimi navodili.
6. Viri napajanja – napravo napajajte izključno iz virov, ki odgovarjajo parametrom, navedenim na napajalnem kablu. Če niste prepričani, kakšno napajanje imate doma, obrnite se na prodajalca naprave oz. lokalnega dobavitelja električne energije.
7. Ozemljitev in polarizacija napajanja – napravo lahko uporabljate brez ozemljitve. Prepričajte se, da je vtič v celoti nameščen v omrežni vtičnici oz. podaljškju, tako da se stiki ne vidijo. Nekatere različice naprave so lahko opremljene s polariziranim vtičem za izmenični tok (en stik je debelejši). Takšen vtič lahko vklopite v omrežno vtičnico le na en način. To je zavarovalna funkcija. Če vtiča ne morete vklopiti v vtičnico, ga poskusite obrniti. Če se vtič še vedno ne ujema z vtičnico, naj vam jo električar zamenja. Zavarovanja iz zavarovanega vtiča ne smete odstranjevati. Če uporabljate podaljšek ali napajalni kabel, ki nista priložena napravi, se prepričajte, da imata ustrezne vtiče in potrdilo o varnosti, ki se zahteva v določeni državi.
8. Zavarovanje napajalnega kabla – napajalni kabel je treba namestiti na način, ki omejuje nevarnost potepanja, pritiskanja oz. naključnega razrezanja. Bodite posebej pozorni na vtiče, omrežne vtičnice in mesta, kjer kabli izhajajo iz naprave.
9. Preobremenitev – preobremenitev zidnih vtičnic, podaljškov in električnih razdelilnikov ni dovoljena, saj lahko to privede do požara ali električnega udara.
10. Prezračevanje – napravo je treba pravilno prezračevati. Ne postavite je na posteljo, kavč ali podobne površine. Ne prekrivajte je s prti, robci, revijami idr.
11. Toplota – naprave ne postavite v bližino virov toplote, kot so grelci, sevalniki, peči in druge naprave (tudi ojačevalniki), ki oddajajo toploto. Na napravo ne postavite gorečih svečk in drugih virov odprtega ognja.
12. Voda in vlaga – da bi zmanjšali tveganje požara ali električnega udara, naprave ne izpostavite neposrednemu vplivu dežja, vode in vlage, na primer ne postavite je v savni ali kopalnici. Te naprave ne smete uporabljati v bližini vode, na primer zraven kadi, umivalnika, korita oz. škafo, v vlažni kleti oz. v bližini bazena (in podobnih mest).
13. Predmeti in tekočine v napravi – skozi odprtine v napravi ne potiskajte nobenih predmetov, saj se tisti predmeti lahko dotaknejo točk z nevarno napetostjo in s komponentami, kar lahko privede do požara oz. električnega udara. Nikakor ne razlijte nobenih tekočin na površino naprave. Na napravo ne smete postaviti predmetov, ki vsebujejo tekočine.
14. Čiščenje – preden začnete s čiščenjem, napravo vedno odklopite iz omrežne vtičnice. Prah, ki je okoli zvočnika, lahko obrišete s suho krpo. Če za čiščenje uporabljate aerosol, razpršilo usmerite na krpo, ne pa neposredno na napravo. Pazite, da se ne poškodujejo pogonske enote.
15. Dodatna oprema – ne uporabljate pripomočkov, ki jih proizvajalec ne potrdi, ker lahko predstavljajo nevarnost.
16. Pripomočki – naprave ne postavite na nestabilen voziček, stojalo, stativo, konzolo ali mizo. Naprava se lahko prevrne in poškoduje, lahko tudi hudo poškoduje otroka ali odraslo osebo. Uporabite le vozičke, stojala, stativo, konzole in mize, ki jih priporoča proizvajalec oz. ki se prodajajo skupaj z napravo. Namestitev naprave mora potekati skladno z navodili proizvajalca, ob uporabi montažnega seta, ki ga priporoča proizvajalec.
17. Prestavljanje naprave – napravo postavite na voziček in zelo previdno prestavite. Nenadna ustavitve vozička, prevelika moč oz. neravne površine lahko pripeljejo do prevrnitve vozička z napravo.

18. Obdobje mirovanja naprave – napajalni kabel je treba odklopiti iz omrežne vtičnice v primeru neviht s strelami oz. ko naprave ne boste dlje časa uporabljali.
19. Servisiranje - naprave ne smete servisirati samostojno. Po odpiranju ohišja je uporabnik izpostavljen visoki napetosti in drugi nevarnosti. Vzdrževalna dela in popravila lahko opravljajo le usposobljeni serviserji.
20. Ko naprave ne uporabljate, odklopite njen vtič iz omrežne vtičnice. Ko je naprava priklopljena na vir napajanja, ni nikoli popolnoma izklopljena, vendar je v stanju pripravljenosti.
21. Nadomestni deli – ob zamenjavi delov je treba preveriti, ali je serviser uporabil nadomestne dele proizvajalca oz. ali nadomestni deli ustrezajo originalnim delom. Uporaba nepotrjenih delov lahko privede do požara, električnega udara oz. drugih nevarnih razmer.
22. Glavne varovalke – da bi napravo trajno zavarovali pred požarom, uporabite varovalke ustrezne vrste in parametrov. Parametri varovalk glede napetosti so označeni na napravi.
23. Ne povečajte glasnosti ob poslušanju tihega posnetka oz. ko ni vhodnega zvočnega signala. Z nenadnim povečanjem intenzitete signala lahko poškodujete zvočnik.
24. Edini način popolnega odklopa naprave iz vira napajanja je odklop napajalnega kabla iz omrežne vtičnice oz. iz naprave. Omrežna vtičnica oz. vhod za napajalni kabel morata biti vedno dostopna med uporabo naprave.
25. Napravo je treba postaviti v bližini omrežne vtičnice oz. podaljška, na tak način, da je vtičnica vedno dostopna.
26. Maksimalna temperatura v prostoru, kje je naprava, je 35 °C.
27. Nasveti glede električnih razelektritev – če delovanje naprave motijo električne razelektritve, je treba napravo izklopiti in ponovno vklopiti oz. jo prestaviti na drugo mesto.
28. Baterija
 - a. Baterije ne smejo biti izpostavljene vplivu prekomerne toplote, npr. sončnih žarkov, ognja idr.
 - b. Pri odstranjanju baterij je treba biti posebno pozoren na okoljevarstvena vprašanja.
 - c. Opozorilo glede uporabe baterije: da se prepreči puščanje baterije, ki lahko privede do poškodb telesa oz. naprave:
 - Ob namestitvi baterij pazite na polarizacijo (+ in -).
 - Skupaj ne smete uporabljati novih in starih baterij, standardnih in alkalnih idr.
 - Če naprave več časa ne uporabljate, odstranite baterije.

OPOZORILO

Naprave ne smejo uporabljati osebe (vključno z otroki) z zmanjšano fizično, senzorično ali mentalno sposobnostjo ali brez izkušenj oz. znanja, razen če so pod nadzorom osebe, ki je odgovorna za njihovo varnost, oz. če so se poučile z navodili o varni uporabi naprave. Prisotnost odraslih je obvezna, če napravo uporabljajo otroci. S tem se lahko zagotovi varna uporaba naprave.

1. Vključene naprave ne smete pustiti brez nadzora! Napravo izklopite, tudi če naprava le nekaj časa počiva.
2. Naprave ne smete uporabljati preko zunanje ure s časovnim sistemom oz. preko ločenega sistema z daljinskim upravljanjem.
3. Da bi se izognili nevarnosti v primeru poškodovanja napajalnega kabla, zamenjave lahko opravi le proizvajalec, pooblaščen servisno podjetje oz. ustrezno usposobljen strokovnjak.
4. Pred začetkom uporabe naprave je treba preveriti, ali napetost naprave ustreza napetosti lokalnega električnega omrežja.
5. Prezračevalnih odprtih ne prekrivajte, npr. z revijami, prti, zavesami idr. Prepričajte se, da je nad napravo ohranjenega najmanj 20 cm prostega prostora, na straneh pa vsaj 5 cm.
6. Ne dovolite, da na napravo kaplja oz. da se nanjo razlije tekočina, na napravo ne postavite predmetov s tekočino, npr. vaz.
7. Da se prepreči nastajanje požara ali nevarnost električnega udara, napravo zaščitite pred vročino, vplivom dežja, vlage in praha.

8. Naprave ne postavite v bližini katerih koli virov vode, npr. umivalnikov, kadi, pralnih strojev oz. bazenov. Napravo postavite na ravno in stabilno podlago.
9. Naprave ne izpostavite močnemu magnetnemu polju.
10. Naprave ne postavite neposredno na ojačevalnik ali sprejemnik.
11. Naprave ne postavite na vlažno mesto, ker ima vlaga negativni vpliv na električne komponente.
12. Ko napravo postavite iz hladnega prostora v tople oz. vlažen prostor, lahko pride do kondenzacije vlage na leči znotraj predvajalnika. To lahko povzroči nepravilno delovanje naprave. Napravo pustite vklopljeno vsaj na eno uro, da vlaga izpari.
13. Naprave ne čistite s kemijskimi topili, ker se lahko na ta način poškoduje lakirana površina ohišja. Napravo obrišite s čisto, suho oz. rahlo navlaženo krpico.
14. Med odklopom vtiča iz omrežne vtičnice je treba vedno vleči za vtič, nikoli za napajalni kabel.
15. Ko se vklopljena naprava uporablja v bližini vklopljenega TV-ja, lahko pride do motenj slike v obliki črt na zaslonu. To je odvisno od valov TV-prenosa. To ne pomeni, da naprava oz. TV ne delujeta pravilno. Če se vidijo črte, premaknite napravo stran od TV-ja.
16. Omrežni vtič se uporablja za odklop napajanja in zato mora biti vedno dostopen.
17. Da bi laserska glavica za odčitavanje CD-zgoščenk ostala čista, se je ne dotikajte in vedno zapirajte prostor za CD-je.
18. Med predvajanjem se zgoščenska vrtilna z veliko hitrostjo. Naprave med predvajanjem NE SMETE dvigati oz. premikati, saj lahko na ta način poškodujete zgoščenko oz. napravo.
19. Preden napravo postavite na drugo mesto, odstranite zgoščenko in zaprite prostor za CD-je. Nato izklopite napajanje in odklopite napajalni kabel. Prestavljanje naprave z vstavljenimi zgoščenkami je lahko razlog za poškodovanje naprave.
20. Po predvajanju zgoščenko pospravite v škatlo. Zgoščenk ne izpostavite neposrednemu vplivu sončnih žarkov ter virov toplote in jih ne pustite v vozilu, ki je parkirano na soncu.
21. Ne dotikajte se strani zgoščenske, na kateri ni etikete. Zgoščenko primite za robove, da ne pustite prstnih odtisov. Prah, prstni odtisi oz. praske so lahko razlog za nepravilno delovanje predvajalnika. Na zgoščenko ne prilepite kartic ali samolepilnega traka. 
22. Za čiščenje zgoščenk uporabite čisto krpo, ki ne pušča kosmičev. Čiščenje začnite od sredine zgoščenske proti robu, za to uporabite splošno dostopna čistilna sredstva oz. antistatična sredstva za vinilne plošče.
23. Da bi preprečili nevarnost izgube sluha, glasne glasbe ne poslušajte dlje časa.



OPOZORILO: VIR SEVANJA

CLASS 1 LASER PRODUCT
LUOKAN 1 LASERLAITE
KLASS 1 LASERAPPARAT

PRED ZAČETKOM DELA

Opombe: glede zgoščenk.

Ker so lahko umazane, poškodovane oz. izkrivljene zgoščenske razlog za poškodovanje naprave, treba je biti posebno pozoren na:

- a. Zgoščenske, ki se lahko uporabijo. Lahko uporabite le spodaj navedene zgoščenske.
- b. CD-zgoščenske le z digitalnim zvočnim signalom.



POZOR**Izjava**

S tem Blaupunkt Competence Center 2N-Everpol Sp. z o.o. izjavlja, da je ta naprava v skladu z zahtevami in drugimi ustreznimi določili uredbe 2014/53/EU. Celotno izjavo o skladnosti si lahko ogledate na spletni strani www.blaupunkt.com v zavihku izdelka.

Odgovorni subjekt: 2N-Everpol Sp. Z o.o.
Puławska 403A, 02-801 Warszawa, Polska
Telefon: +48 22 331 99 59, e-naslov: info@everpol.pl



Naprava je izdelana iz visokokakovostnih materialov ter komponent, ki se lahko reciklirajo in ponovno uporabijo.



Če je na napravi oznaka prekrizan zaboju za odpadke, to pomeni, da za izdelek veljajo določila evropske smernice 2012/19/EU. Seznaniti se je treba z lokalnimi zahtevami za zbiranje električnih ter elektronskih odpadkov. Ukrepati je treba v skladu z lokalnimi predpisi. Izdelek se ne sme odstranjevati skupaj z navadnimi odpadki. Ustrezno odstranjevanje starega izdelka pomaga izključiti morebitne negativne učinke na okolje in človekovo zdravje.



Naprava je opremljena z baterijo, ki jo določa evropska smernica 2013/56/EU. Baterija se ne sme odstranjevati skupaj z gospodinjskimi odpadki. Treba se je seznaniti z lokalnimi predpisi za ločeno zbiranje odpadnih baterij, ker le ustrezna odstranitev preprečuje morebitne negativne učinke za okolje in človekovo zdravje.

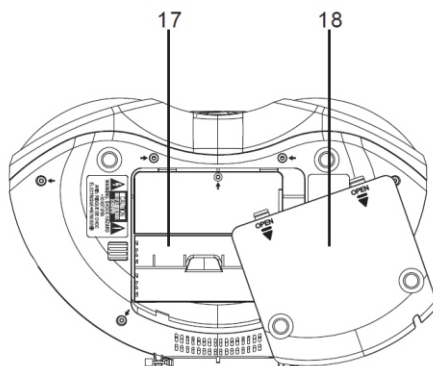
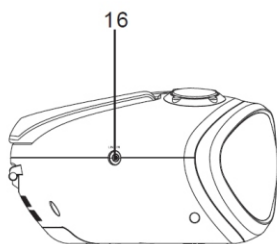
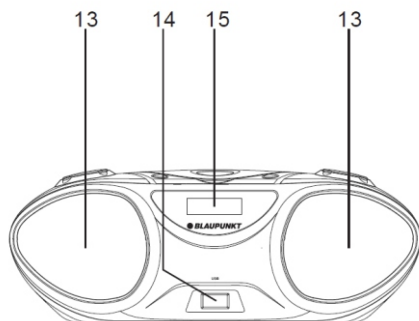
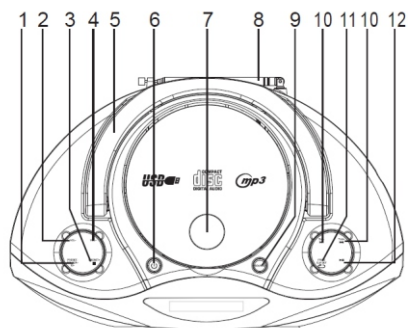
Podatki za varovanje okolja

Komplet vsebuje samo potrebne elemente. Prizadevali smo si, da bodo vsi trije elementi embalaže lahko odstranljivi: karton (škatla), polistirenska pena (zunanja zaščita) in polietilen (vreče, zaščitna plast). Naprava je izvedena iz materialov, ki se lahko reciklirajo, ter jih lahko po demontaži s strani strokovnega podjetja ponovno uporabljamo. Upoštevati je treba lokalne predpise za odstranjevanje embalaž, porabljenih baterij ter nepotrebnih naprav. Za zapisovanje in predvajanje je treba obvezno pridobiti soglasje. Glej Zakon o avtorskih pravicah in pravicah izvajalcev/umetnikov.

Opomba glede ERP2 (naprav, povezanih z energijo)

Ta naprava z ekonačrtom izpolnjuje zahteve 2. etape Uredbe Komisije (ES) št. 1275/2008 o izvajanju Uredbe 2009/125/ES glede porabe energije o vzpostavitvi okvira za določanje zahtev za primerno okoljsko zasnovo izdelkov, povezanih z energijo.

Razporeditev upravljalnih elementov



Razporeditev upravljalnih elementov

- 1 – Preset –/mapa +/tipka + 10
- 2 – Tipka Glasnost –
- 3 – Tipka Preset +/za ustavitev
- 4 – Tipka Glasnost +
- 5 – Ročaj
- 6 – Tipka za stanje pripravljenosti
- 7 – Pokrov CD pogona
- 8 – Antena FM
- 9 – Tipka za izbiro vira zvoka
- 10 – Tipka za uglaševanje Tune +/- in prejšnji/naslednji posnetek
- 11 – Tipka za programiranje/ure/ponavljanja
- 12 – Tipka za predvajanje/ustavitev
- 13 – Zvočnik
- 14 – USB
- 15 – Zaslona
- 16 – Vhod za zunanji vir zvoka
- 17 – Komora baterije (napajalni kabel je znotraj)
- 18 – Pokrov komore baterije

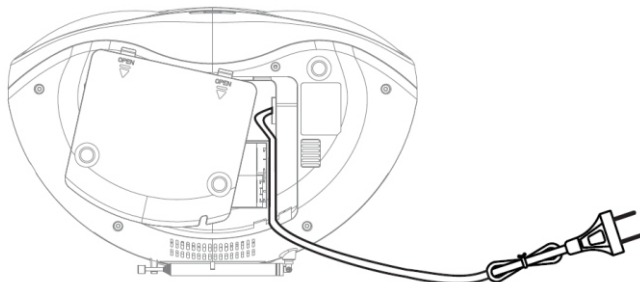
Vir napajanja in priklop

AC-napajanje: odprite pokrov komore baterije in izvlecite napajalni kabel; nato kabel popolnoma razvijte in prevlecite skozi odprtino v pokrovu komore baterije; zaprite pokrov komore baterije. Vtaknite napajalni vtič v stensko AC-vtičnico; s tem se vklopi zaslon. Ko je na voljo omrežno napajanje, se napajanje z baterijo samodejno izklopi.

DC-napajanje (akumulatorsko napajanje): odprite pokrov komore baterije in namestite 6 baterij UM 2/1,5 V (niso priložene), upoštevajte gravirane oznake dodatne in negativne polarnosti. Nato zaprite pokrov baterije.

Opombe:

- a) Spomniti se je treba, da je napajalni kabel pritrjen in skrit znotraj komore za baterije.
- b) Zvok je lahko moten zaradi prazne oz. skoraj prazne baterije; takrat je treba zamenjati baterije z novimi. Baterije je treba skladiščiti na način, ki ne škodi okolju; upoštevati je treba lokalne predpise.
- c) Ne nameščati skupaj baterij različnih proizvajalcev, da bi preprečili uhajanje tekočine iz baterij; ob daljšem mirovanju naprave preprosto odstranite baterije.



Nastavljanje ure

Ko se po priklopu napajanja vklopi zaslon, to pomeni, da je naprava pripravljena za delovanje. Pritisnite in za 2 sekundi pridržite tipko za nastavljanje ure, številke ure začnejo utripati na zaslonu; kratko pritisnite tipko Tune +/-, da bi prilagodili uro; da bi potrdili izbiro in prešli na nastavljanje minut, ponovno kratko pritisnite tipko za nastavljanje ure; določite minute s pomočjo tipke Tune +/- in kratko pritisnite tipko za nastavljanje ure, da bi končali celoten postopek.

Opombe:

- Podpirana je le 24-urna oblika prikaza ure.
- Ura je na voljo le ob AC- ali DC-napajanju. Ob prekinitvi napajanja ponovno nastavite uro.
- V načinu predvajanja zvoka se po 5 sekundah na zaslonu samodejno spet prikaže ura.

Uporaba CD

Naprava lahko predvaja CD-plošče, zapisane v obliki CD/CD-R/CD-RW/MP3. Pred začetkom predvajanja preverite obliko CD-pogona in se prepričajte, da je CD-plošča čista in brez vidnih poškodb.

Predvajanje CD-plošče: odprite pokrov CD-pogona in namestite CD-ploščo, nato zaprite pokrov. Da bi vklopili napravo, pritisnite tipko stanja pripravljenosti; za vklop CD-načina pritisnite tipko za izbiro vira; takrat enota prebere CD-ploščo in jo samodejno začne predvajati.

V načinu predvajanja CD-plošč pritisnite tipko za glasnost +/-, da bi nastavili raven glasnosti; da bi ustavili oz. vzpostavili predvajanje, pritisnite tipko predvajanje/ustavitev; da bi izbrali posnetek, kratko pritisnite in pridržite tipko prejšnji/naslednji posnetek; pritisnite jo, da bi hitro premikali posnetek naprej ali nazaj; pritisnite tipko za ponavljanje, da bi ponovili en posnetek/ponovili vse/ponovili predvajanje mape; kratki pritisk na tipko 10+ omogoča izbiro vsakega 10. posnetka; za preklon na predvajanje naslednje mape, če sta na voljo vsaj 2 mapi, pritisnite tipko mapa + za 2 sekundi (le v primeru MP3-plošč).

Programiranje predvajanja (do 20 posnetkov na CD-plošči in 99 posnetkov na MP3-ploščah): pritisnite tipko za ustavitve, da bi ustavili CD-predvajanje; da bi začeli programiranje, pritisnite tipko za programiranje; na zaslonu se prikažeta »P01« in »PROG«; za preklon in izbiro posnetka, ki ga želite programirati, pritisnite prejšnjo ali naslednjo tipko, nato s tipko za programiranje potrdite svojo izbiro; posnetek bo shranjen kot P01. Ponavljajte te korake, dokler se na zaslonu na prikaže »P20« oz. »P99«, kar bo pomenilo, da je spomin poln. Pritisnite tipko za predvajanje/ustavitev, da bi predvajali vse programirane posnetke; da bi preklicali in zbrisali programirane nastavitve predvajanja, odprite pokrov CD-pogona oz. dvakrat pritisnite tipko za ustavitve.

Uporaba FM-radia

Pred uporabo radia je treba popolnoma izvleci anteno FM in namestiti napravo v bližini okna, da bi se zagotovilo sprejemanje boljšega signala.

Skeniranje in samodejno skeniranje: pritisčajte tipko za uglaševanje Tune +/-, da bi postopoma uglasili FM-frekvenco, pritisnite in za 2 sekundi pridržite, da bi samodejno poiskali razpoložljive postaje gor ali dol po valu; pritisnite in za 2 sekundi pridržite tipko za programiranje, da bi samodejno skenirali in shranili razpoložljive postaje (maksimalno število programiranih postaj je 40). Da bi izbrali oz. spremenili postajo, programirano v avtomatskem načinu, pritisnite tipko Preset +/-.

Ročno programiranje postaj: po uglasitvi priljubljene postaje s pomočjo tipke za uglaševanje Tune +/- najprej pritisnite tipko za programiranje; nato pritisnite tipko za prejšnji ali naslednji posnetek, da bi izbrali zaželeno številko, pod katero hočete shraniti tekočo postajo, nato potrdite svojo izbiro s pritiskom na tipko za programiranje. Da bi shranili preostale postaje, ponavljajte zgornje korake.

Uporaba USB-predvajanja

Pred začetkom predvajanja USB-datotek je treba kopirati MP3-avdiodatoteko v USB-spomin (naprava podpira spomine maksimalno do 32 GB) in nato pravilno vtakniti USB-spomin v USB-vtičnico. Vključite napravo in nekajkrat pritisnite tipko za izbiro vira, da bi prešli na USB-način; naprava samodejno dekodira avdiodatoteko in jo začne predvajati.

V USB-načinu pritisnite tipko predvajanje/ustavitev; da bi izbrali posnetek, kratko pritisnite in pridržite tipko prejšnji/naslednji posnetek, pritisnite jo, da bi hitro premikali posnetek naprej ali nazaj; pritisnite tipko za ponavljanje, da bi ponovili en posnetek/ponovili vse/ponovili predvajanje mape; kratki pritisk na tipko 10+ omogoča izbiro vsakega 10 posnetka; za preklon na predvajanje naslednje mape, če sta na voljo vsaj 2 mapi, pritisnite tipko mapa + za 2 sekundi.

Pozor:

- a) Uporaba podaljška za priklop USB-naprave ni priporočena, ker lahko privede do motenj predvajanja.
- b) Podpiranje vseh USB-naprav ni zajamčeno zaradi različnih konstrukcij naprav in različnih proizvajalcev.
- c) Pravilno predvajanje vseh MP3-datotek ni zajamčeno.

Uporaba načina AUX IN/linijskega vhoda/MP3 Link

S pomočjo avdiokabla 3,5 mm povežite vtičnico LINE IN na zadnjem panelu naprave s točko izhoda signala iz zunanega predvajalnika (npr. MP3-predvajalnika idr.). Vključite napravo in pritisnite tipko za izbiro vira, da bi prešli na način LINE IN. Izberite in predvajajte glasbo z zunanega predvajalnika; zvok bo prihajal skozi zvočnike te naprave. Upoštevajte, da se glavno upravljanje dogaja na zunanjem predvajalniku, na tisti napravi pa lahko nastavite raven glasnosti.

Specifikacija

Vir napajanja: AC 230 V/50 Hz

DC-napajanje: 9V (6 kosov x UM 2, 1,5 V, baterija ni priložena)

Frekvenca FM: 87,5 ~ 108,0 MHz

Izhodna moč RMS: 2 x 1 W

Izhodna napetost USB: 5 V/100 Ma

Parametri USB-vtičnice: podpora spomina do 32 GB, avdiodatoteke MP3

Optika CD-pogona: 3 polprevodniški žarki laserske svetlobe

Poraba moči: 12 W

Poraba moči v stanju pripravljenosti: < 1 W

(zgornja specifikacija se lahko spreminja brez predhodne najave)

Reševanje težav

1. Ni mogoče izklopiti naprave.

- a) Preverite, ali je DC-napajanje ustrezno priklopljeno.
- b) Ob težavah se obrnite na servisni center.

2. Slab zvok radijske postaje.

- a) Premaknite napravo v bližino okna oz. nastavite smer antene, da bi sprejemali boljše kakovost zvoka.
- b) Poskusite preklopiti radio na drugo postajo.
- c) Ob težavah se obrnite na servisni center.

3. Naprava ne more odčitati CD-ploščice ali USB-spomina.

- a) Preverite, ali sta CD-plošča oz. avdiodatoteka pravilni.
- b) Ob težavah se obrnite na servisni center.

Competence Center

2N-Everpol Sp. z o.o.
ul. Puławska 403A
02-801 Warsaw, Poland
phone: +48 22 331 99 59
e-mail: info@everpol.pl
www.blaupunkt.com

W przypadku pytań lub problemów
prosimy o kontakt z naszym serwisem.
In case of questions or problems
please contact our service.
Tel. 00 48 22 331 99 53
E-mail: info@blaupunkt-audio.pl

Wszelkie prawa zastrzeżone. Wszystkie nazwy marek są zarejestrowanymi
znakami towarowymi należącymi do odpowiednich podmiotów.
Dane i parametry techniczne mogą ulec zmianie bez wcześniejszego uprzedzenia.

All rights reserved. All brand names are registered trademarks of their
respective owners. Specifications are subject to change without prior notice.

A dark blue horizontal bar containing the slogan "Enjoy it." in a white, italicized, sans-serif font.

Enjoy it.