

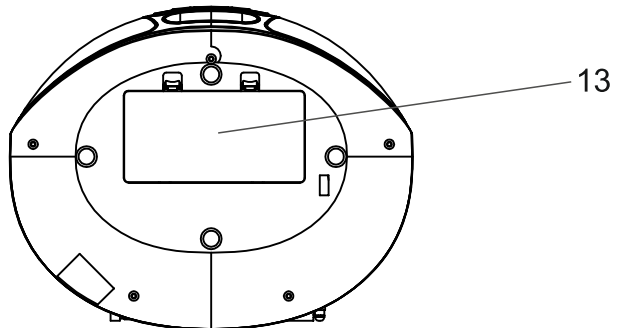
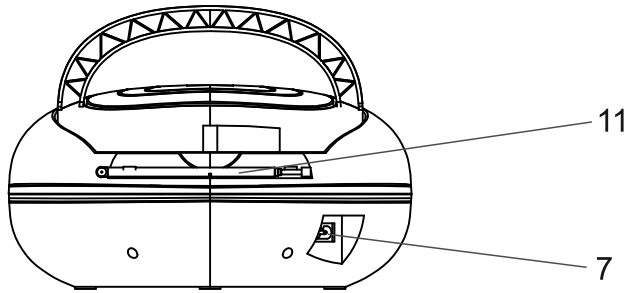
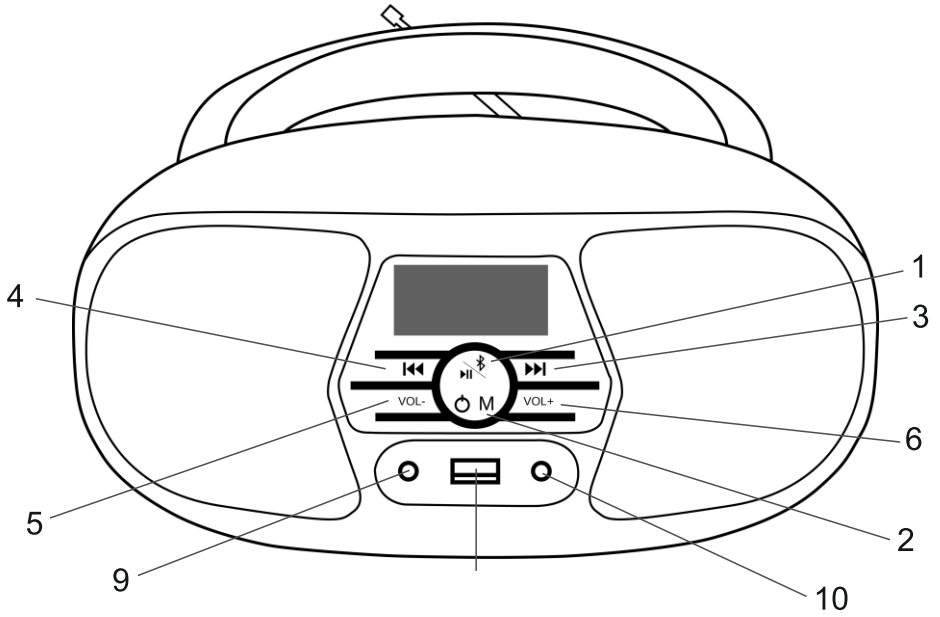
PRIME³

ABB11 BT



Owner's manual
Bedienungsanleitung
Instrukcja obsługi

Boombox with Bluetooth
Boombox mit Bluetooth
Boombox z funkcją z Bluetooth



IMPORTANT SAFETY INSTRUCTIONS

The marking plate is located at the bottom of the apparatus.

Caution:

To reduce the risk of electric shock, do not remove cover (or back). No user serviceable parts inside. Refer servicing to qualified service personnel.

Explanation of Graphical Symbols:

This lightning flash with arrowhead symbol within an equilateral triangle is intended to alert the user to the presence of uninsulated dangerous voltage within the product's enclosure that may be of sufficient magnitude to constitute a risk of electric shock to persons.



The exclamation point within an equilateral triangle is intended to alert you to the presence of important operating and maintenance (servicing) instructions in the literature accompanying the product.

To achieve the utmost in enjoyment and performance, and in order to become familiar with its features, please read this manual carefully before attempting to operate this product. This will assure you years of trouble free performance and listening pleasure.

Important Notes

- This safety and operating instruction should be retained for future reference.
- The apparatus should not be exposed to dripping or splashing or placed in a humid atmosphere such as a bathroom.
- Do not install the product in the following areas:
 - Places exposed to direct sunlight or close to radiators.
 - On top of other stereo equipment that radiate too much heat.
 - Blocking ventilation or in a dusty area.
 - Areas where there is constant vibration.
 - Humid or moist places.
 - Do not place near candles or other naked flames.
- Operate the product only as instructed in this manual.
- Before turning on the power for the first time, make sure the power adaptor is properly connected.
- Plug-in the USB stick directly or use an USB-extension cable which is not longer than 25 cm.

For safety reasons, do not remove any covers or attempt to gain access to the inside of the product. Refer any servicing to qualified personnel.

Do not attempt to remove any screws, or open the casing of the unit; there are no user serviceable parts inside. Refer all servicing to qualified service personnel.

SAFETY INSTRUCTIONS

1. Read Instructions - All the safety and operating instructions must be read before the product is operated.
2. Retain Instructions - The safety and operating instructions should be kept with the product for future reference.
3. Heed warnings - All warnings on the product and in the operating instructions should be adhered to.
4. Follow instructions - All operating and users

5. Installation - Install in accordance with the manufacturer's instructions.
6. Power sources - This product should be operated only from the type of power source indicated by the marking adjacent to the power cord entry. If you are not sure of the type of power supply to your home, consult your product dealer or local power company.
7. Grounding or polarization - the product is not required to be grounded. Ensure that the plug is fully inserted into the wall outlet or extension cord receptacle to prevent blade or pin exposure. Some versions of the product are equipped with a power cord fitted with a polarized alternating line plug (a plug having one blade wider than the other). This plug will fit onto the power outlet only one way. This is a safety feature. If you are unable to insert the plug fully into the outlet, try reversing the plug. If the plug should still fail to fit, contact your electrician to replace your obsolete outlet. Do not defeat the safety purpose of the polarized plug. When using an extension power-supply cord or a power-supply cord other than that supplied with the appliance, it should be fitted with the appropriate molded plugs and carry safety approval appropriate to the country of use.
8. Power cord protection - Power-supply cords should be routed so that they are not likely to be walked on, kinked or pinched by items placed on or against them, paying particular attention to cords from plugs, receptacles and the point where they exit from the product.
9. Overloading - Do not overload wall outlets, extension cords, or multiple sockets, as this can result in a risk of fire or electric shock.
10. Ventilation - The product must be properly ventilated. Do not place the product on a bed, sofa, or other similar surface. Do not cover the product with any items such as tablecloths, newspapers, etc.
11. Heat - The product should be situated away from heat sources such as radiators, heat registers, stoves, or other products, including amplifiers that produce heat. No naked flame sources, such as lighted candles, should be placed on the apparatus.
12. Water and moisture - To reduce the risk of fire or electric shock, do not expose the product to rain, dripping, splashing or excessive moisture such as in a sauna or bathroom. Do not use this product near water, for example, near a bathtub, washbowl, kitchen sink, laundry tub, in a wet basement or near a swimming pool (or similar).
13. Object and liquid entry - Never push objects of any kind into this product through openings, as they may touch dangerous voltage points or short-circuit parts that could result in a fire or electric shock. Never spill liquid of any kind on the product. Do not place any object containing liquid on top of the product.
14. Cleaning - Unplug the product from the wall outlet before cleaning. Dust in the woofer may be cleaned with a dry cloth. If you wish to use an aerosol cleaning spray, do not spray directly on the cabinet; spray onto the cloth. Be careful not to damage the drive units.
15. Attachments - Do not use attachments not recommended by the product manufacturer, as they may cause hazards.
16. Accessories - Do not place this product on an unstable cart, stand, tripod, bracket or table. The product may fall, causing serious injury to a child or adult, and serious damage to the product. Use only with a cart, stand, tripod, bracket or table recommended by the manufacturer or sold with the product. Any mounting of the product should follow the manufacturer
17. Moving the product - A product and cart combination should be moved with care. Quick stops, excessive force and uneven surfaces may cause the product and cart combination to overturn.
18. Unused periods - The power cord of the appliance should be unplugged from the outlet during lightning storms or when the apparatus is left unused for a long period of time.
19. Servicing - Do not attempt to service this product yourself, as opening or removing covers may expose you to dangerous voltage or other hazards. Refer all servicing to qualified service personnel.
20. Please remove the power plug from the main power source or wall power source when not in use. When plugged in to a power source, the system is in standby mode, so the power is not entirely cut off.
21. Replacement parts - When replacement parts are required, ensure that the service technician has used replacement parts specified by the manufacturer or have the same characteristics as the original part. Unauthorized substitutions may result in fire, electric shock or other hazards.

22. Mains fuses - For continued protection against fire hazard, use fuses only of the correct type and rating.
23. Do not turn up the volume while listening to a section with very low level inputs or no audio signals. If you do, the boombox may be damaged when a peak level section is suddenly played.
24. The only means of completely disconnecting the product from the power supply is by removing the power cord from the wall outlet or the product. The wall outlet or the power cord entry to the product must remain freely accessible at all times while the product is in use.
25. Try to install the product near a wall socket or extension cord and shall be easily accessible.
26. The highest environmental temperature suitable for this product is 35°C.
27. ESD hints - If the product maybe reset or not reset to operation of control due to electrostatic discharge, just switch off and reconnect again, or move the product to another location.
28. Battery
 - a) The batteries must not be exposed to excessive heat such as sunshine, fire or the like.
 - b) The batteries should be drawn to the environmental aspects of battery disposal.
 - c) Battery usage CAUTION-to prevent battery leakage which may result in body injuries, property damage, or damage to the apparatus:
 - Install all batteries correctly, + and - as marked on the apparatus.
 - Do not mix batteries (old and new or carbon and alkaline, etc.)
 - Remove batteries when the unit is not used for a long time.

ERP2 (Energy Related Products) note

This product with ecodesign complies with the stage 2 requirements of Commission Regulation (EC) NO. 1275/2008 implementing Directive 2009/125/EC regard to standby and off mode electric power consumption of electronic household and office equipment.

After 60 minutes without any audio input, the device will automatically switch into standby mode. Follow up the instruction manual to resume the operation.

Important note:


This device is equipped with an energy saving mode: if no signal is given during 60 minutes the device will switch automatically into standby mode in order to save energy (ERP 2 standard). Please note that low volume setting in the audio source may be recognized as "no audio signal": this will affect the capability of signal detection from the device and can also originate an automatic switch into standby mode. If this happens please reactivate the audio signal transmission or increase the volume setting on the audio source player (MP3 player, etc.), in order to resume playback. Please contact the local service center if the problem remains.

WARNING

This appliance is not intended for use by persons (including children) with reduced physical sensory or mental capabilities, or lack of experience and knowledge, unless they have been given supervision or instruction concerning use of the appliance by a person responsible for their safety. Children should be supervised to ensure that they do not play with the appliance.

1. Never use the device unsupervised! Switch off the device whenever you are not using it, even if this only for a short while.
2. The appliance is not intended to be operated by means of an external timer or separate remote control system.
3. If the supply cord is damaged, it must be replaced by the manufacturer, its service agent or similarly qualified persons in order to avoid a hazard.
4. Before operating this system, check the voltage of this system to see if it is identical to the voltage of your local power supply.
5. The unit should not be impeded by covering the ventilation opening with items such as newspaper, tablecloths, curtains etc. Make sure that there are at least 20 cm of space above and at least 5 cm of space on each side of the unit.

6. The apparatus must not be exposed to dripping or splashing and that objects filled with liquids, such as vases, must not be placed on the apparatus.
7. To prevent fire or shock hazard, do not expose this equipment to hot places, rain, moisture or dust.
8. Do not locate this unit near any water sources e.g. taps, bathtubs, washing machines or swimming pools. Ensure that you place the unit on a dry, stable surface.
9. Do not place this unit close to a strong magnetic field.
10. Do not place the unit on an amplifier or receiver.
11. Do not place this unit in a damp area as the moisture will affect the life of electric components.
12. If the system is brought directly from a cold to a warm location, or is placed in a very damp room, moisture may condense on the lens inside the player. If this occurs, the system will not operate properly. Please leave the system turned on for about an hour until the moisture evaporates.
13. Do not attempt to clean the unit with chemical solvents as this might damage the finish. Wipe with a clean, dry or slightly damp cloth.
14. When removing the power plug from the wall outlet, always pull directly on the plug, never pull on the cord.
15. Depending on the electromagnetic waves used by a television broadcast, if a TV is turned on near this unit while it is also on, lines might appear on the TV screen. Neither this unit nor the TV is malfunctioning. If you see such lines, keep this unit well away from the TV set.
16. The mains plug is used as the disconnect device, the disconnect device must remain readily operable.

 Hereby, 2N-Everpol Sp. z o.o., declares that this equipment is in compliance with the essential requirement and other relevant provisions of Directive 2014/53/EU. Declaration of conformity can be obtained from the product page at www.prime3.eu. Responsible party: 2N-Everpol Sp.z o.o., Puławska 403A, 02-801 Warsaw, Poland, Phone: +48 22 331 99 59, E-mail: info@prime3.eu



When this crossed-out wheeled bin symbol is attached to a product it means that the product is covered by the European Directive 2012/19/EU. Please inform yourself about the local separate collection system for electrical and electronic products. Used appliance should be delivered to the dedicated collecting points due to hazardous components, which may affect the environment. Do not dispose this appliance in the common waste bin.



Your product contains batteries covered by the European Directive 2006/66/EG, which cannot be disposed with normal household waste. Please inform yourself about the local rules on separate collection of batteries because correct disposal helps to prevent negative consequences for the environmental and human health.



Your products is designed a manufactured with high quality materials and components, which can be recycled and reused. Recording and playback of material might require consent. See Copyright Act 1956 and The Performer's Protection Acts 1958 to 1972.



Bluetooth[™]

The Bluetooth[®] word mark and logos are registered trademarks owned by Bluetooth SIG, Inc. and any use of such marks by us is under license. Other trademarks and trade names are those of their respective owners.

Many thanks for buying our product. This model includes below main features.

- Bluetooth function for audio streaming playback.
- PLL FM radio with presets memory (up to 99 stations).
- MP3/WMA playback function.
- Aux playback function.
- USB slot.

List of controls:

1. Play/Pause/ Bluetooth button.
2. Power/Mode button.
3. Skip forward button.
4. Skip backward button.
5. Volume down button.
6. Volume up button.
7. AC power port.
8. USB port.
9. AUX IN.
10. 3,5mm headphones socket.
11. FM antenna.
12. Power cord.
13. Battery compartment.

Bluetooth operation

The boombox includes Bluetooth function which allows you to wireless playback the audio with other Bluetooth device like smart phone etc. Please follow up below for the operation:

1. Power on the unit by pressing and holding Power/Mode button. The "Blue" writing on the display will flare quickly which means the boombox is ready to pair with other device.
2. Enable the Bluetooth function on your Bluetooth device, and search the available Bluetooth device (please reference your device manual for the operation).
3. Check the available Bluetooth device on the menu list of your device, and select " P3_NANO" in order to start pairing. Please key-in "0000" (4 zero) in case of a password required during pairing. The "Blue" writing becomes stable when the pairing is successful.
4. Select and play the music on your Bluetooth device. Then the sound will output from boombox.
5. During Bluetooth playback, use the external device or device controls to adjust volume or change files.
6. Short press Skip/forward button to skip to the next track.
7. Short press Skip/backward button to return to the previous track.
8. Long-press power button to switch off the device.
9. Press and hold the Bluetooth button for 3 seconds to quit and disconnect the current Bluetooth device connection, and search other available device.
10. In the Bluetooth mode, you can use the EQ function to change the EQ settings, press "Play / Pause" button twice quickly.

Notes:

- a. All Bluetooth devices are not guaranteed to pair successfully due to different design and brand.
- b. The Bluetooth best working distance is within 10 meters without any obstacle in between.

FM radio operation

1. Before listening to the radio, please extend the FM antenna in order to get better reception.
2. Power on the unit by pressing and holding Power/Mode button. Then short press the Power/Mode button to enter FM radio mode.
3. Press and hold the Play/Pause button to auto-scan and save the available FM station; press and hold it again to stop scanning.
4. Press and hold skip forward button to select next preset station.
5. Press and hold skip backward button to select the last preset station.
6. Short press skip forward button to auto scan and play the next available station.
7. Short press skip backward button to auto scan and play the previous available station.
8. In FM mode, you can short-press "Power/Mode" button to switch to a different source.
9. Long-press power button to switch off the device.

AUX IN

Using the Aux cable connect the AUX IN port on the front panel of the device with the line out or headphone jack on any other external audio player like mp3 player etc. Power on the device and short press the Mode button to enter the AUX IN playback mode; select and play the music from your external audio player, then the sound will output from the boombox.

Notes:

1. In AUX IN mode, the main control is on external audio player side.

USB

- Plug in USB mass storage to a USB slot on the front panel of the device.
- Short-press Skip/backward button to return to the previous track. Long-press to return to previous folder.
- Short-press Skip/forward to skip to the next track. Long-press to move to next folder.
- In the USB mode, you can use the EQ function to change the EQ settings, press "Play / Pause" button twice quickly.

Please make sure your USB device is FAT16 or FAT32 file system, and your music file is MP3 / WAV / FLAC (we do not guarantee that all files of this type will be played correctly due to different file specifications).

Important notes: The max supported USB device is 64GB. An extent USB cable for playing connection is not recommend, because that will impact the audio signal input. It is not guaranteed that all USB devices will be supported due to different designs and manufacturers.

Trouble shooting

1. The unit cannot power on.
 - a. Please plug-in the unit or check the batteries and try again.
 - b. Please contact the service center if the issue remains.
2. There is no or intermittent sound output in Bluetooth mode.
 - a. Please turn off the Bluetooth, and re-pair with the device.
3. No available FM station or background noise in FM.
 - a. Please extend the telescopic antenna and re-scan the available FM stations.
 - b. Please tune to another FM station for listening.
 - c. Please try to move the unit next to the window in order to get better reception.

Specification:

- Audio streaming via Bluetooth
- FM Radio with 99 memory presets
- USB port-MP3/WAV/FLAC playback
- AUX IN
- FM frequency: 87.5~108.0MHz
- BT frequency: 2402MHz-2480MHz
- 3.5 mm headphones socket
- Power supply: 220-240V ~50/60 Hz
- Battery power supply: UM-1 x 4 pcs
- Accessories: 1 x power cord
- Dimensions: 265x215x135 mm
- Weight: 1,1 kg

Wichtige Sicherheitshinweise

The marking plate is located at the bottom of the apparatus.

Vorsicht:

Um das Risiko eines Stromschlages zu verringern, demontieren Sie weder die Geräteabdeckung noch die Rückseite des Gerätes. Im Inneren des Gerätes befinden sich keine vom Benutzer zu wartenden Teile. Die Wartung und Reparatur des Gerätes sollten ausschließlich von qualifiziertem Servicepersonal durchgeführt werden.

Erläuterung der grafischen Symbole:

Ein Blitz mit einer Pfeilspitze in einem gleichseitigen Dreieck warnt den Benutzer vor einer nicht isolierten „gefährlichen Spannung“ im Gehäuse des Gerätes. Diese Spannung kann so hoch sein, dass eine Stromschlaggefahr besteht.



Das Ausrufezeichen in einem gleichseitigen Dreieck weist den Benutzer darauf hin, dass in der beigelegten Dokumentation wichtige Bedienungs- und Wartungshinweise enthalten sind, die beachtet werden sollten.

Bitte lesen Sie diese Bedienungsanleitung durch, bevor Sie das Gerät in Betrieb nehmen, um sich mit seinen Funktionen vertraut zu machen und diese für den vorgesehenen Zweck zu verwenden. Dies gewährleistet einen langfristigen, störungsfreien Betrieb und Zufriedenheit mit dem Gerät.

Wichtige Informationen

- Bewahren Sie diese Bedienungsanleitung und Sicherheitshinweise zum späteren Nachschlagen auf. Das
- Gerät darf keinesfalls tropfendem Wasser oder Spritzwasser ausgesetzt werden. Verwenden Sie es auch nicht in feuchter Umgebung wie zum Beispiel einem Badezimmer.
- Installieren Sie dieses Gerät nicht:
 - An Orten, die der direkten Sonneneinstrahlung ausgesetzt sind, oder in der Nähe von Heizgeräten.
 - Auf anderen Stereogeräten, die Wärme abgeben.
 - An Orten, die Luftzirkulation störend beeinflussen können, oder an einem staubigen Ort.
 - An Orten, die ständigen Vibrationen ausgesetzt sind.
 - An Orten mit hoher Luftfeuchtigkeit.
- Stellen Sie das Gerät nicht in der Nähe von Kerzen oder offenen Flammen auf.
- Verwenden Sie das Gerät nur wie in dieser Bedienungsanleitung beschrieben.
- Vergewissern Sie sich vor dem ersten Einschalten des Gerätes, dass das Netzteil ordnungsgemäß angeschlossen ist.
- Schließen Sie den USB-Speicher direkt oder über ein bis zu 25 cm langes USB-Verlängerungskabel an. Aus Sicherheitsgründen dürfen Sie das Gehäuse nicht demontieren und auf das Innere des Gerätes zugreifen. Das Gerät sollte von qualifiziertem Servicepersonal repariert werden. Das Gerät darf nicht zerlegt oder das Gehäuse geöffnet werden, da sich keine vom Benutzer zu wartenden Teile im Inneren befinden. Die Wartung und Reparatur des Gerätes sollten ausschließlich von qualifiziertem Servicepersonal durchgeführt werden.

SICHERHEITSHINWEISE

1. Lesen Sie die Anweisungen durch – lesen Sie die gesamte Bedienungsanleitung und die

- Sicherheitshinweise durch, bevor Sie das Gerät in Betrieb nehmen.
2. Bewahren Sie die Anweisungen auf – bewahren Sie die Bedienungsanleitung zum späteren Nachschlagen auf.
 3. Beachten Sie die Warnhinweise – befolgen Sie alle Warnungen auf dem Gerät und in der Bedienungsanleitung.
 4. Beachten Sie die Anweisungen – befolgen Sie die Bedienungsanleitung und Benutzeranweisungen.
 5. Installation – stellen Sie das Gerät gemäß den Anweisungen des Herstellers auf.
 6. Stromquellen – das Gerät sollte nur durch Quellen mit den auf dem Netzkabel angegebenen Parametern versorgt werden. Wenn der Benutzer nicht sicher ist, welche Art der Stromversorgung bei ihm zu Hause vorhanden ist, sollte er sich an den Gerätehändler oder den örtlichen Stromversorger wenden.
 7. Erdung oder Polarisation – das Gerät muss nicht geerdet werden. Stellen Sie sicher, dass der Stecker vollständig in eine Steckdose oder Steckdosenleiste eingesteckt ist, um zu verhindern, dass die Stifte oder Kontakte freigelegt werden. Einige Versionen dieses Gerätes können mit einem polarisierten Wechselstromstecker (mit einem breiteren Stift) ausgestattet werden. Dieser Stecker kann nur in einer Weise an eine Steckdose angeschlossen werden. Dabei handelt es sich um eine Sicherheitsfunktion. Wenn Sie den Stecker nicht in die Steckdose stecken können, versuchen Sie ihn umzudrehen. Sollte der Stecker dann ebenfalls nicht in die Steckdose passen, lassen Sie die Steckdose durch einen Elektriker ersetzen. Entfernen Sie nicht die Schutzvorrichtungen des polarisierten Steckers. Wenn Sie ein anderes Verlängerungskabel oder Netzkabel als das im Lieferumfang des Gerätes enthaltene verwenden, müssen diese über die richtigen Stecker und die vom jeweiligen Land geforderte Sicherheitszulassung verfügen.
 8. Schutz des Netzkabels – verlegen Sie die Netzkabel so, dass sie nicht betreten und mit Gegenständen eingeklemmt oder zerschnitten werden können. Achten Sie besonders auf Stecker, Steckdosen und solche Stellen, an denen die Kabel aus dem Gerät herausgeführt werden.
 9. Überlastung – überlasten Sie keine Wandsteckdosen, Verlängerungskabel und elektrischen Verteiler, da dies zu einem Brand oder Stromschlag führen kann.
 10. Belüftung – das Gerät muss ordnungsgemäß belüftet werden. Stellen Sie das Gerät nicht auf ein Bett, ein Sofa oder eine ähnliche Oberfläche. Decken Sie das Gerät nicht mit Tischdecken, Servietten, Zeitungen usw. ab.
 11. Wärme – stellen Sie das Gerät nicht in der Nähe von Wärmequellen wie Heizkörpern, Heizstrahlern, Öfen oder anderen Geräten (einschließlich Verstärkern) auf, die Wärme erzeugen. Stellen Sie keine brennenden Kerzen oder anderen Zündquellen mit offener Flamme auf das Gerät.
 12. Wasser und Feuchtigkeit – um die Gefahr eines Brandes oder Stromschlages zu verringern, setzen Sie dieses Gerät nicht direktem Regen, Wasser und Feuchtigkeit (z.B. in einer Sauna oder einem Badezimmer) aus. Verwenden Sie dieses Gerät nicht in der Nähe von Wasser, z.B. neben einer Badewanne, einem Waschbecken, einer Küchenspüle oder Waschmaschine, in einem feuchten Keller oder in der Nähe eines Schwimmbeckens (oder ähnlicher Orte).
 13. Gegenstände und Flüssigkeiten im Gerät – schieben Sie keine Gegenstände jeglicher Art durch die Öffnungen dieses Gerätes, da sie mit gefährlichen Spannungspunkten und Komponenten in Berührung kommen können, die einen Brand oder Stromschlag verursachen können. Auf keinen Fall dürfen Flüssigkeiten jeglicher Art auf dem Gerät verschüttet werden. Stellen Sie keine Gegenstände mit Flüssigkeiten auf das Gerät.
 14. Reinigung – trennen Sie das Gerät vor der Reinigung immer von der Steckdose. Staub um den Boombox herum kann mit einem trockenen Tuch entfernt werden. Sollte ein Spray zur Reinigung verwendet werden, richten Sie den Sprühstrahl nicht direkt auf das Gerät, sondern auf ein Tuch. Achten Sie darauf, dass die Antriebseinheiten nicht beschädigt werden.
 15. Zusatzausstattung – verwenden Sie kein Zubehör, das nicht vom Hersteller zugelassen ist, da es eine Gefahr darstellen kann.
 16. Zubehör – stellen Sie das Gerät nicht auf instabile Wagen, Ständer, Stative, Halterungen oder Tische. Das Gerät kann umkippen und beschädigt werden sowie schwere Verletzungen bei Kindern oder Erwachsenen verursachen. Verwenden Sie nur die vom Hersteller angegebenen oder mit dem Gerät verkauften Wagen,

- Ständer, Stative, Halterungen und Tische. Die Installation des Gerätes sollte gemäß den Anweisungen des Herstellers unter Verwendung des vom Hersteller empfohlenen Montagesatzes durchgeführt werden.
17. Bewegen des Gerätes – das auf dem Wagen platzierte Gerät sollte sehr vorsichtig bewegt werden. Plötzliches Anhalten, das Ausüben übermäßiger Kräfteinwirkungen oder unebene Oberflächen können dazu führen, dass der Wagen mit dem Gerät umkippt.
 18. Nichtbenutzung des Gerätes – ziehen Sie während eines Gewitters mit atmosphärischen Entladungen oder wenn das Gerät längere Zeit nicht benutzt wird den Netzstecker aus der Steckdose.
 19. Wartung – versuchen Sie keinesfalls das Gerät selbst zu warten oder zu reparieren. Das Öffnen der Abdeckung kann zu Kontakt mit gefährlicher Spannung führen und den Benutzer anderen Gefahren aussetzen. Die Wartung und Reparatur des Gerätes sollten ausschließlich von qualifiziertem Servicepersonal durchgeführt werden.
 20. Wenn Sie das Gerät nicht benutzen, ziehen Sie den Netzstecker aus der Steckdose. Wenn das Gerät an eine Stromquelle angeschlossen ist, befindet es sich im Standby-Modus und ist nicht vollständig ausgeschaltet.
 21. Ersatzteile – überprüfen Sie beim Austausch von Teilen, ob der Servicetechniker die vom Hersteller empfohlenen Ersatzteile verwendet hat oder ob die Teile mit dem Originalteil identisch sind. Das Ersetzen der Teile durch nicht zugelassene Teile kann zu einem Brand, Stromschlag oder anderen Gefahren führen.
 22. Hauptsicherungen – um das Gerät kontinuierlich vor Brand zu schützen, verwenden Sie Sicherungen des richtigen Typs und der richtigen Parameter. Die Parameter der Sicherungen in einem bestimmten Spannungsbereich sind auf dem Gerät gekennzeichnet.
 23. Erhöhen Sie die Lautstärke nicht, wenn Sie leise Teile eines Songs hören oder wenn kein Eingangsaudiosignal vorhanden ist. Andernfalls kann der Boombox beschädigt werden, wenn die Signalstärke schnell ansteigt.
 24. Die einzige Möglichkeit, das Gerät vollständig von der Stromquelle zu trennen, besteht darin, das Netzkabel von der Steckdose oder vom Gerät zu trennen. Die Netzsteckdose oder die Buchse des Gerätes müssen während der Benutzung des Produktes immer zugänglich sein.
 25. Das Gerät sollte auf eine solche Weise in der Nähe einer Steckdose oder Steckdosenleiste aufgestellt werden, dass es stets zugänglich ist.
 26. Die maximale Umgebungstemperatur des Gerätes beträgt 35°C.
 27. Anweisungen zur elektrostatischen Entladung – wird das Gerät durch elektrostatische Wirkungen in ihrer Funktion gestört, schalten Sie es aus und wieder ein oder bewegen Sie es an einen anderen Ort.
 28. Batterie
 - a. Batterien dürfen keiner übermäßigen Hitze wie Sonneneinstrahlung, Feuer usw. ausgesetzt werden.
 - b. Bei der Entsorgung von Batterien ist auf den Schutz der Umwelt zu achten.
 - c. Vorsicht bei der Verwendung von Batterien: Um ein Auslaufen der Batterien zu vermeiden, das zu Verletzungen oder Schäden am Gerät führen kann:
 - Achten Sie beim Einlegen der Batterien auf die Polarität (+ und -).
 - Verwenden Sie nicht gleichzeitig verschiedene Batterien – alte und neue Standard- und Alkalibatterien usw.
 - Entnehmen Sie die Batterien aus dem Gerät, wenn es längere Zeit nicht benutzt wird.

Hinweis zu ERP2 (energieverbrauchsrelevante Produkte)

Dieses Gerät erfüllt die Anforderungen der Stufe 2 der Verordnung (EG) Nr. 1275/2008 der Kommission zur Durchführung der Richtlinie 2009/125/EG im Hinblick auf die Festlegung von Ökodesign-Anforderungen an den Stromverbrauch elektrischer und elektronischer Haushalts- und Bürogeräte im Bereitschafts- und im Aus-Zustand.

Nach 60 Minuten ohne Audioeingangssignal wechselt das Gerät automatisch in den Standby-Modus. Informationen zur Wiederherstellung des Normalbetriebs finden Sie in der Bedienungsanleitung.

Wichtige Informationen:

Dieses Gerät ist mit einem Stromsparmodes ausgestattet: wird innerhalb von 60 Minuten kein Eingangssignal

gegeben, wechselt das Gerät automatisch in den Standby-Modus, um Strom zu sparen (Norm ERP 2). Es ist zu beachten, dass eine sehr niedrige Lautstärkeeinstellung in einer Audiosignalquelle dazu führen kann, dass das Gerät „kein Audiosignal“ erkennt. Dies kann die Möglichkeit beeinträchtigen, das Signal vom Gerät zu erkennen und automatisch in den Standby-Modus zu wechseln. Stellen Sie in diesem Fall die Audiosignalübertragung wieder her oder erhöhen Sie die Lautstärke in der Audiosignalquelle (MP3-Player usw.), um die Wiedergabe fortzusetzen. Wenn das Problem weiterhin besteht, wenden Sie sich bitte an Ihre lokale Servicestelle.

VORSICHT

Dieses Gerät darf nicht von Personen (einschließlich Kindern) mit eingeschränkter körperlicher, sensorischer oder geistiger Leistungsfähigkeit sowie von Personen mit unzureichenden Kenntnissen und Erfahrungen benutzt werden, es sei denn, sie werden von einer Person, die für ihre Sicherheit verantwortlich ist, beaufsichtigt oder in die Bedienung des Gerätes eingewiesen. Wird das Gerät von Kindern bedient, ist die Anwesenheit von Erwachsenen erforderlich, um eine sichere Verwendung des Gerätes zu gewährleisten.

1. Lassen Sie das Gerät nie unbeaufsichtigt, solange es in Betrieb ist! Schalten Sie das Gerät aus, wenn es nicht verwendet wird, auch nur für kurze Zeit.
2. Das Gerät darf nicht über eine externe Zeitschaltuhr oder eine separate Fernbedienung betrieben werden.
3. Um eine Gefahr bei einer Beschädigung des Netzkabels zu vermeiden, sollte der Austausch durch den Hersteller, eine autorisierte Servicestelle oder eine andere qualifizierte Person durchgeführt werden.
4. Vergewissern Sie sich vor dem Betrieb des Gerätes, dass die Spannung mit der des örtlichen Stromnetz übereinstimmt.
5. Decken Sie die Lüftungsöffnungen des Gerätes nicht mit Zeitungen, Tischdecken, Vorhängen usw. ab. Halten Sie einen Freiraum von mindestens 20 cm über dem Gerät und mindestens 5 cm an allen Seiten des Gerätes ein.
6. Das Gerät darf keinesfalls tropfendem Wasser oder Spritzwasser ausgesetzt werden. Es dürfen keine mit Flüssigkeit gefüllten Gegenstände wie beispielsweise Vasen auf dem Gerät abgestellt werden.
7. Um Brand oder Stromschlag zu vermeiden, schützen Sie das Gerät vor heißen Stellen, Regen, Feuchtigkeit und Staub.
8. Stellen Sie das Gerät nicht in der Nähe von Wasserquellen wie z.B. Wasserhähnen, Badewannen, Waschmaschinen oder Schwimmbecken auf. Stellen Sie das Gerät auf eine ebene und stabile Fläche.
9. Setzen Sie das Gerät keinen starken elektromagnetischen Feldern aus.
10. Stellen Sie das Gerät nicht direkt auf einen Verstärker oder AV-Receiver.
11. Stellen Sie das Gerät nicht an einen feuchten Ort, da Feuchtigkeit schädliche Auswirkungen auf elektrische Komponenten hat.
12. Wenn Sie das Gerät von einem kalten an einen warmen Ort oder an einen feuchten Ort bringen, kann es zu Kondensation von Feuchtigkeit auf der Linse im Inneren des Players kommen. Dies kann zu Funktionsstörungen führen. Lassen Sie das Gerät etwa eine Stunde lang eingeschaltet stehen, damit die Feuchtigkeit verdunsten kann.
13. Verwenden Sie zur Reinigung des Gerätes keine chemischen Lösungsmittel, da diese den Lack des Gehäuses beschädigen können. Wischen Sie das Gerät mit einem sauberen, trockenen oder leicht angefeuchteten Tuch ab.
14. Ziehen Sie immer am Stecker und niemals am Netzkabel, wenn Sie den Stecker aus der Wandsteckdose ziehen.
15. Wenn das eingeschaltete Gerät in der Nähe des eingeschalteten Fernsehers verwendet wird, kann es zu Bildrauschen in Form von Linien auf dem Bildschirm kommen. Dies hängt vom TV-Wellenbereich ab. Dies stellt keine Fehlfunktion des Gerätes oder des Fernsehgerätes dar. Wenn solche Linien sichtbar sind, bewegen Sie das Gerät vom Fernseher weg.
16. Der Netzstecker dient zum Trennen der Netzspannung und sollte immer zugänglich sein.



Hiermit erklärt 2N-Everpol Sp.z o.o., dass dieses Produkt den grundlegenden Anforderungen und anderen relevanten Bestimmungen der Richtlinie 2014/53/EU entspricht. Die Konformitätserklärung finden Sie unter www.prime3.eu. Verantwortlich Beteiligte: 2N-Everpol Sp.z o.o., Puławska 403A, 02-801 Warszawa, Polen, Phone: +48 22 331 99 59, E-mail: info@prime3.eu.



Wenn sich auf dem Gerät ein Piktogramm mit einer durchgestrichenen Mülltonne befindet, bedeutet das, dass dieses Produkt den Beschlüssen der EU-Richtlinie 2012/19/EU entspricht. Man soll sich mit den Anforderungen des regionalen Systems für die Sammlung von elektrischen und elektronischen Abfällen vertraut machen. Man soll gemäß den örtlichen Vorschriften handeln. Dieses Produkt darf nicht zusammen mit dem Haushaltsabfall entsorgt werden. Die ordnungsgemäße Entsorgung dieses Produktes vermeidet potentiell negative Folgen für die Umwelt und menschliche Gesundheit.



Gemäß der Europäischen Richtlinie 2006/66/EG ist das Gerät mit Batterien ausgestattet. Die Batterien dürfen nicht mit dem Hausmüll entsorgt werden. Bitte beachten Sie die örtlichen Bestimmungen zur getrennten Sammlung von Batterien, da die korrekte Entsorgung mögliche negative Folgen für die Umwelt und die menschliche Gesundheit verhindert.



Das Produkt ist aus hochqualitativen, recycelbaren und wiederverwendbaren Materialien und Bauelementen hergestellt.



Der Eigentümer der Marken und Bluetooth®-Logo ist die Firma Bluetooth SIG, Inc. USA. Die Verwendung dieser Marken und Logos ist lizenzpflichtig. Andere Marken und Handelsnamen sind Eigentum ihrer jeweiligen Eigentümer.

- Bluetooth-Funktion für Audio-Streaming.
- PLL-FM-Modul mit der Funktion zum Speichern von 99 Sendern.
- Unterstützung für MP3-/WAV-/FLAC-Audiodateien.
- Anschlussmöglichkeit an ein Gerät mit AUX-Eingang.
- USB-Buchse.

Liste der Steuerelemente:

1. Play-/Pause-/Bluetooth-Taste.
2. Quellenauswahlschalter.
3. Nächster-Titel-Taste.
4. Vorheriger-Titel-Taste.
5. Lautstärkereglern „-“.
6. Lautstärkereglern „+“.
7. Ladebuchse.
8. USB-Buchse.
9. AUX-IN-Buchse.
10. Miniklinkenstecker-Kopfhörerbuchse.
11. Funkantenne.
12. Netzkabel.
13. Batteriefach.

Bluetooth-Unterstützung

Der Boombox verfügt über eine Bluetooth-Funktion, die eine drahtlose Audiowiedergabe von anderen Bluetooth-Geräten wie Smartphones oder Tablets ermöglicht.

1. Schalten Sie das Gerät ein, während Sie den Ein-/Ausschalter gedrückt halten. Die Aufschrift „Blue“ beginnt

- schnell zu blinken, was bedeutet, dass das Gerät zum Koppeln bereit ist.
2. Aktivieren Sie die Bluetooth-Funktion auf Ihrem Gerät und suchen Sie nach verfügbaren Geräten, mit denen Sie sich verbinden können (befolgen Sie die Bedienungsanleitung Ihres Gerätes).
 3. Überprüfen Sie in der Liste auf Ihrem Gerät die verfügbaren Geräte, mit denen Sie sich verbinden können, und wählen Sie „P3_NANO“, um sie zu verbinden. Geben Sie „0000“ (4 Nullen) ein, wenn das Gerät nach dem Code fragt. Das Wort „Blau“ auf dem Display des Gerätes leuchtet dauerhaft, wenn die Geräte richtig verbunden sind.
 4. Wählen und aktivieren Sie die Musikwiedergabe auf Ihrem Bluetooth-Gerät. Der Sound wird über das Gerät wiedergegeben.
 5. Verwenden Sie während der Wiedergabe via Bluetooth ein externes Gerät oder Tasten auf dem Gerät, um die Lautstärke anzupassen, eine wiedergegebene Datei auszuwählen oder die Wiedergabe anzuhalten oder fortzusetzen.
 6. Drücken Sie die Vorheriger-Titel-Taste, um zum vorherigen Titel zu wechseln.
 7. Drücken Sie die Nächster-Titel-Taste, um zum nächsten Titel zu wechseln.
 8. Drücken und halten Sie den Ein-/Ausschalter gedrückt, um das Gerät auszuschalten.
 9. Drücken und halten Sie die Bluetooth-Taste gedrückt, um die aktuelle Verbindung zum Bluetooth-Gerät zu trennen und nach einem anderen verfügbaren Gerät zu suchen.
 10. Im Bluetooth-Modus können Sie die EQ-Funktion verwenden. Um die EQ-Einstellungen zu ändern, drücken Sie zweimal kurz die Play-/Pause-Taste.

Achtung:

- a. Aufgrund unterschiedlicher Bauweisen und Hersteller kann nicht mit allen Bluetooth-Geräten eine ordnungsgemäße Verbindung gewährleistet werden.
- b. Die Übertragungreichweite beträgt 10 Meter (ohne Hindernisse zwischen den Geräten)
- c. Wenn der Boombox nicht ordnungsgemäß mit einem anderen Gerät zusammenspielt und nicht weiter funktioniert, schaltet er sich nach ca. 10 Minuten automatisch ab. Schalten Sie die Stromversorgung wieder ein. Schalten Sie das Gerät wieder ein.

FM-RADIO-MODUS

1. Bevor Sie das FM-Radio abspielen und einstellen, ziehen Sie die FM-Antenne heraus. Dies verbessert die Qualität der empfangenen Sender.
2. Schalten Sie das Gerät ein, während Sie den Ein-/Ausschalter gedrückt halten. Drücken Sie dann die Mode-Taste, um den FM-Radio-Modus auszuwählen.
3. Drücken und halten Sie die Play-/Pause-Taste gedrückt, um automatisch nach Kanälen zu suchen. Drücken Sie die Taste erneut, um die Suche zu stoppen.
4. Drücken und halten Sie die Nächster-Titel-Taste gedrückt, um zum nächsten gespeicherten Sender zu wechseln.
5. Drücken und halten Sie die Vorheriger-Titel-Taste gedrückt, um zum vorherigen gespeicherten Sender zu wechseln.
6. Durch kurzes Drücken der Nächster-Titel-Taste wird der nächste verfügbare Sender automatisch gesucht und wiedergegeben.
7. Durch kurzes Drücken der Vorheriger-Titel-Taste wird der vorherige verfügbare Sender automatisch gesucht und wiedergegeben.
8. Im FM-Radio-Modus können Sie die Mode-Taste drücken, um diesen Modus zu verlassen und zu einem anderen zu wechseln.
9. Drücken und halten Sie den Ein-/Ausschalter gedrückt, um das Gerät auszuschalten.

AUX-IN-BETRIEB

- Schließen Sie einen Stecker des Netzkabels mit dem Miniklinkenstecker an die Aux-Buchse an der Vorderseite des Gerätes und den anderen an den Line-Out-Ausgang oder an den Kopfhörerausgang eines

externen tragbaren MP3-Players oder eines anderen Gerätes an. Schalten Sie das Gerät ein und drücken Sie kurz die Mode-Taste, um den AUX-Modus auszuwählen. Wählen Sie und spielen Sie Musik von einem externen Player ab, dann wird der Sound über das Gerät wiedergegeben.

Achtung:

a. Im AUX IN-Modus erfolgt die Steuerung über ein externes Gerät.

USB

- Schließen Sie den USB-Massenspeicher an die Vorderseite des Gerätes an.
- Drücken Sie die Vorheriger-Titel-Taste, um zum vorherigen Titel zu wechseln. Drücken und halten Sie diese Taste gedrückt, um zum vorherigen Ordner zu wechseln.
- Drücken Sie die Nächster-Titel-Taste, um zum nächsten Titel zu wechseln. Drücken und halten Sie diese Taste gedrückt, um zum nächsten Ordner zu wechseln.
- Im USB-Modus können Sie die EQ-Funktion verwenden. Um die EQ-Einstellungen zu ändern, drücken Sie zweimal kurz die Play-/Pause-Taste.

Stellen Sie sicher, dass das USB-Speicher-Dateisystem das Format FAT16 oder FAT32 hat und die aufgenommenen Musikdateien das Format MP3/WAV/FLAC aufweisen (wir können nicht gewährleisten, dass alle Dateien dieses Typs aufgrund unterschiedlicher Dateispezifikationen korrekt wiedergegeben werden).

Wichtige Informationen: Die maximal unterstützte Kapazität des angeschlossenen USB-Gerätes beträgt 64 GB. Es wird nicht empfohlen, ein USB-Verlängerungskabel zu verwenden, da dies die Qualität des Audiosignals beeinträchtigt. Aufgrund unterschiedlicher Bauweisen und Hersteller kann nicht mit allen USB-Geräten eine ordnungsgemäße Verbindung gewährleistet werden.

Störungsbehebung

1. Das Gerät kann nicht eingeschaltet werden.
 - a. Überprüfen Sie, ob das Gerät an die Stromversorgung angeschlossen ist oder ob es über Batterien verfügt.
 - b. Wenden Sie sich an die Servicestelle, falls das Problem weiterhin besteht.
2. Kein Ton signal im Bluetooth-Modus
 - a. Schalten Sie die Bluetooth-Verbindung aus und stellen Sie erneut eine Verbindung zum Gerät her.
3. Keine FM-Sender verfügbar oder Rauschen beim Empfang von FM-Sendern.
 - a. Ziehen Sie die Antenne heraus und suchen Sie erneut nach verfügbaren FM-Sendern.
 - b. Wechseln Sie zum nächsten FM-Sender.
 - c. Stellen Sie das Gerät für einen besseren Empfang näher ans Fenster.

Spezifikation

- Audio-Streaming via Bluetooth
- FM-Radio mit Senderspeicher für 99 Sender
- USB-Anschluss- MP3/WAV/FLAC-Wiedergabe
- AUX-Eingang
- FM Frequenz: 87.5~108.0MHz
- FM Frequenz: 2402MHz-2480MHz
- 3,5 mm Kopfhöreranschluss
- Stromversorgung: 220-240V ~50/60 Hz
- Batterieversorgung: UM-1 x 4 Stück
- Zubehör: 1x Netzkabel
- Abmessungen: 265x215x135 mm
- Gewicht: 1,1 kg

Gwarancja PRIME3 (dotyczy produktów zakupionych od 01.12.2017)

Szanowni Państwo,

dziękujemy za zakup produktu marki PRIME3 i gratulujemy wyboru. 2N-Everpol Sp. z o.o., 02-801 Warszawa, Puławska 403a (zwany w dalszej części dokumentu PRIME3) niniejszym gwarantuje, że produkt jest wolny od wad materiałowych i produkcyjnych w warunkach normalnego użytkowania i konserwacji.

1. Gwarancja na niniejszy produkt wynosi 24 miesiące od daty zakupu, z tym zastrzeżeniem, że gwarancja na baterię znajdującą się w produkcie wynosi 6 miesięcy od daty zakupu. Warunkiem skorzystania z uprawnień gwarancyjnych jest zachowanie dowodu zakupu.
2. Niniejsza gwarancja obowiązuje wyłącznie w odniesieniu do produktów zakupionych na terytorium Rzeczypospolitej Polskiej.
3. Opisane usterki produktu zostaną bezpłatnie usunięte na podstawie zaakceptowanej gwarancji poprzez PRIME3 lub autoryzowany serwis gwarancyjny. Wykonanie obowiązków gwarancyjnych nastąpi w terminie 21 dni od dnia dostarczenia produktu do serwisu.
4. PRIME3 lub autoryzowany serwis zastrzegają sobie prawo do swobodnego decydowania, czy jako alternatywa do naprawy produktu nie nastąpi jego wymiana. Może to być również produkt równoważny. PRIME3 lub autoryzowany serwis nie ponoszą odpowiedzialności za możliwe niezgodności wynikające z różnicy produktów.
5. Prawo do naprawy gwarancyjnej może być dochodzone wyłącznie po dostarczeniu uszkodzonego produktu do serwisu.
6. PRIME3 lub autoryzowany serwis nie ponosi odpowiedzialności za jakiegokolwiek bezpośrednie lub pośrednie straty, np. zysków, wynikające z wady lub usterki produktu.
7. PRIME3 lub autoryzowany serwis nie ponosi odpowiedzialności za utratę danych spowodowaną nieprawidłowym działaniem produktu.
8. PRIME3 lub autoryzowany serwis zastrzegają sobie prawo do odmowy naprawy produktu w okresie gwarancyjnym, jeśli numer seryjny produktu został usunięty, zmieniony lub jest nieczytelny.
9. Gwarancja nie obejmuje zarysowań lub przebarwień. Ponadto, gwarancja wygasa w całości z powodu szkód spowodowanych przez: niewłaściwe/niedbałe obchodzenie się z produktem, nieprzestrzeganie instrukcji obsługi, użycie niezgodnie z przeznaczeniem, naprawy/zmiany lub konserwację, które nie były wykonywane przez autoryzowany serwis, uszkodzone wyposażenie, niewłaściwe akcesoria, nieprawidłowe podłączenie, niewłaściwy montaż, nieprawidłową instalację oprogramowania, niewłaściwe przechowywanie (w skrajnych temperaturach lub wilgotności), dostanie się wody, piasku, kurzu itp. do produktu, siły wyższe, takie jak błyskawica/przebiecia/ogień.
10. Gwarancja nie obejmuje: czyszczenia produktu, serwisu na życzenie Klienta, aktualizacji oprogramowania, które jest oferowane Państwu do pobrania z naszej strony internetowej.
11. Wszystkie części, które zostały zastąpione lub wymienione w trakcie naprawy, stają się własnością firmy PRIME3.
12. PRIME3 lub autoryzowany serwis powszechnie używają fabrycznie nowych części, jednak zastrzegają sobie prawo do wykorzystania części odnowionych lub naprawianych.
13. Naprawa i serwis produktu przez autoryzowany serwis odbywa się zgodnie ze specyfikacjami firmy PRIME3.
14. Podczas dostarczenia do serwisu, uszkodzony produkt musi zostać dobrze zapakowany/zabezpieczony w oryginalnym opakowaniu w celu ochrony przed dalszymi uszkodzeniami podczas transportu. PRIME3 lub autoryzowany serwis nie ponosi odpowiedzialności za jakiegokolwiek szkody, które mogą powstać w trakcie przesyłki do serwisu w wyniku nieodpowiedniego zabezpieczenia produktu. PRIME3 lub autoryzowany serwis nie ponosi odpowiedzialności za utratę mienia podczas przesyłki do serwisu.
15. PRIME3 lub autoryzowany serwis nie zapewnią Klientowi produktów zastępczych na czas naprawy.
16. Niniejsza gwarancja udzielana jest wyłącznie konsumentom, to jest osobom fizycznym nabywającym produkt na podstawie czynności prawnej niezwiązanej bezpośrednio z ich działalnością gospodarczą lub zawodową.
17. Do reklamowanego na zasadach niniejszej gwarancji produktu musi zostać dołączony oryginalny dowód zakupu oraz szczegółowy opis usterki.
18. Niniejsza gwarancja, nie ogranicza ani nie zawiesza uprawnień kupującego wynikających z przepisów o rękojmi za wady rzeczy sprzedanej.

Celem realizacji niniejszej gwarancji należy skontaktować się bezpośrednio ze sprzedawcą, od którego zakupiono niniejszy produkt; będzie on Państwa przedstawicielem w okresie gwarancyjnym. Dodatkowe informacje można również znaleźć na naszej stronie internetowej. Ponadto, uszkodzony produkt można wysłać bezpośrednio do serwisu: 2N-Everpol Sp. z o.o.

Polna 6, 05-500 Chyliczki, tel. 22 331 99 53

info@prime3.pl, www.prime3.pl

Instrukcja obsługi

Ważne instrukcje dotyczące bezpieczeństwa.

Przeostroga:

Aby zmniejszyć ryzyko porażenia prądem, nie wolno demontować pokrywy ani tylnej części urządzenia. Wewnątrz urządzenia nie znajdują się elementy przeznaczone do samodzielnej naprawy przez użytkownika. Konserwacją i naprawą sprzętu zajmują się wyłącznie wykwalifikowani pracownicy serwisu.

Objaśnienie symboli graficznych:

Symbol błyskawicy zakończony strzałką umieszczony w trójkącie równobocznym ostrzega użytkownika przed nieizolowanym „niebezpiecznym napięciem” w obrębie obudowy urządzenia, które może osiągnąć wielkość grożącą porażeniem prądem elektrycznym.



Znak wykrzyknika w trójkącie równobocznym ostrzega użytkownika, że w tym momencie przedstawione są ważne informacje dotyczące obsługi i konserwacji sprzętu w dokumentacji, dołączonej do urządzenia.

Prosimy o przeczytanie tej instrukcji przed przystąpieniem do obsługi urządzenia, aby zapoznać się z jego funkcjami i wykorzystać je zgodnie z przeznaczeniem. Zapewni to długotrwałą, bezawaryjną obsługę urządzenia i przyjemność z użytkowania.

Ważne informacje

- Należy zachować instrukcję obsługi oraz informacje dotyczące bezpieczeństwa w celu wykorzystania ich w przyszłości.
- Nie należy dopuszczać do tego, aby na urządzenie kapala lub wylewała się ciecz. Nie wolno też używać go w wilgotnych miejscach, jak np..... łazienka.
- Nie wolno instalować tego urządzenia w następujących miejscach:
- Wystawionych na bezpośrednie działanie promieni słonecznych lub w pobliżu grzejników.
- Kłască go na wierzchu innego sprzętu stereofonicznego który wydziela ciepło.
- Blokując wentylację lub w zapyłonym miejscu.
- W miejscach narażonych na ciągłe drgania.
- W miejscach o wysokiej wilgotności.
- Nie wolno stawiać urządzenia w pobliżu świec lub otwartego ognia.
- Urządzenia można używać wyłącznie w sposób opisany w niniejszej instrukcji.
- Przed pierwszym włączeniem zasilania należy upewnić się, że zasilacz został prawidłowo podłączony.
- Pamięć USB podłącza się bezpośrednio lub przy użyciu przedłużacza USB o długości do 25 cm.

Ze względów bezpieczeństwa nie należy demontować obudów ani uzyskiwać dostępu do wnętrza urządzenia. Urządzenie powinno być naprawiane przez wykwalifikowany personel serwisu.

Nie wolno rozkręcać urządzenia ani otwierać jego obudowy, gdyż wewnątrz nie ma żadnych części, które mogłyby być naprawiane przez użytkownika. Konserwacją i naprawą sprzętu zajmują się wyłącznie wykwalifikowani pracownicy serwisu.

INSTRUKCJE DOTYCZĄCE BEZPIECZEŃSTWA

1. Przeczytać instrukcje — przed korzystaniem z urządzenia należy przeczytać całość instrukcji obsługi oraz informacje o bezpieczeństwie.

2. Zachować instrukcje — należy zachować instrukcje użytkowania i obsługi w celu wykorzystania ich w przyszłości.
3. Przestrzegać ostrzeżeń — należy postępować zgodnie z wszystkimi ostrzeżeniami zamieszczonymi na urządzeniu oraz zgodnie z instrukcją obsługi.
4. Przestrzegać instrukcji — należy postępować zgodnie z instrukcją obsługi oraz wskazówkami dla użytkownika.
5. Instalacja — należy ustawić urządzenie zgodnie z instrukcjami producenta.
6. Źródła zasilania – urządzenie powinno być zasilane wyłącznie ze źródeł o parametrach podanych na oznaczeniach na kablu zasilania. Jeżeli użytkownik nie jest pewien, jakiego rodzaju zasilaniem dysponuje w domu, powinien skontaktować się ze sprzedawcą urządzenia lub lokalnym dostawcą energii elektrycznej.
7. Uziemienie lub polaryzacja zasilania — urządzenie nie musi być uziemione. Należy upewnić się, że wtyczka jest do końca włożona do gniazdka sieciowego lub przedłużacza, aby nie dopuścić do odsłonięcia bolców lub styków. Niektóre wersje urządzenia mogą być wyposażone w spolaryzowaną wtyczkę prądu przemiennego (z jednym bolcem szerszym). Tę wtyczkę można włożyć do gniazdka sieciowego tylko w jeden sposób. Jest to funkcja zabezpieczająca. Jeśli nie można włożyć wtyczki do gniazda, należy spróbować ją odwrócić. Jeśli wtyczka nadal nie pasuje do gniazda, należy zlecić elektrykowi jego wymianę. Nie wolno zdejmować zabezpieczeń z wtyczki spolaryzowanej. Gdy korzysta się z przedłużacza lub kabla zasilania innego niż dostarczony razem z urządzeniem, powinny mieć właściwe wtyczki oraz atest bezpieczeństwa wymagany w danym kraju.
8. Zabezpieczenie kabla zasilania — kable zasilania należy poprowadzić w taki sposób, aby nie można było po nich chodzić, przycisnąć lub przyciąć postawionymi przedmiotami. Zwrócić szczególną uwagę na wtyczki, gniazdka sieciowe i miejsca, w którym kable są wyprowadzone z urządzenia.
9. Przeciążenie — nie wolno przeciążać gniazdek ściennych, przedłużaczy i rozdzielaczy elektrycznych, ponieważ grozi to wybuchem pożaru lub porażeniem prądem elektrycznym.
10. Wentylacja — urządzenie musi być poprawnie wentylowane. Nie wolno ustawiać urządzenia na łóżku, sofie lub podobnych powierzchniach. Nie wolno przykrywać urządzenia obrusami, serwetkami, gazetami itd.....
11. Ciepło — nie ustawiać urządzenia w pobliżu źródeł ciepła, takich jak grzejniki, promienniki, piece lub innych urządzeń (również wzmacniacze) wytwarzających ciepło. Nie stawiać na urządzeniu zapalonych świec i innych źródeł otwartego ognia.
12. Woda i wilgoć — aby zmniejszyć zagrożenie pożarem lub porażeniem elektrycznym, nie wolno narażać urządzenia na bezpośrednie działanie deszczu, wody i wilgoci, jak np. w saunie czy w łazience. Nie używać niniejszego urządzenia w pobliżu wody, na przykład obok wanny, umywalki, zlewu kuchennego lub balii, w wilgotnej piwnicy lub w pobliżu basenu (lub w podobnych miejscach).
13. Przedmioty i ciecz w urządzeniu — nie należy wciskać jakichkolwiek przedmiotów przez otwory urządzenia, ponieważ mogą one zetknąć się z punktami niebezpiecznego napięcia i podzespołami, co może wywołać pożar lub porażenie prądem. Pod żadnym pozorem nie należy rozlewać jakichkolwiek cieczy na powierzchni urządzenia. Nie wolno kłaść na wierzchu urządzenia przedmiotów zawierających ciecz.
14. Czyszczenie — należy zawsze odłączyć urządzenie od gniazdka sieciowego przed czyszczeniem. Kurz dookoła głośnika można usunąć suchą szmatką. Jeśli do czyszczenia ma być użyty aerozol, nie należy kierować rozpylanego strumienia bezpośrednio na urządzenie, ale na szmatkę. Należy uważać, aby nie uszkodzić jednostek napędowych.
15. Wyposażenie dodatkowe — nie wolno używać akcesoriów, które nie są dopuszczone przez producenta, gdyż mogą stwarzać zagrożenie.
16. Akcesoria — nie wolno ustawiać urządzenia na niestabilnym wózku, stojaku, statywie, wsporniku czy stole. Urządzenie może ulec przewróceniu i uszkodzeniu oraz spowodować poważne obrażenia u dziecka lub osoby dorosłej. Należy używać wyłącznie wózków, stojaków, statywów, wsporników i stołów określonych przez producenta albo sprzedawanych wraz z urządzeniem. Montaż urządzenia należy przeprowadzać zgodnie z instrukcjami producenta, przy użyciu zestawu montażowego zalecanego przez producenta.
17. Przenoszenie urządzenia — urządzenie umieszczone na wózku należy przesuwać bardzo ostrożnie.

Gwałtowne zatrzymanie, zbyt duża siła lub nierówne powierzchnie mogą spowodować przewrócenie wózka wraz z urządzeniem.

18. Okres nieużywania urządzenia — kabel zasilania urządzenia należy odłączyć od gniazdka sieciowego w trakcie burz z wyładowaniami atmosferycznymi lub gdy urządzenie nie będzie używane przez dłuższy czas.
19. Serwisowanie – nie należy próbować własnoręcznego przeglądania urządzenia. Otwieranie pokrywy może spowodować kontakt z niebezpiecznym napięciem i narazić użytkownika na inne niebezpieczeństwa. Konserwacją i naprawą sprzętu zajmują się wyłącznie wykwalifikowani pracownicy serwisu.
20. Gdy urządzenie nie jest używane, należy odłączyć jego wtyczkę zasilania od gniazdka sieciowego. Gdy urządzenie jest podłączone do źródła zasilania, znajduje się w trybie czuwania i nie jest całkowicie wyłączone.
21. Części zamienne — przy wymianie części należy sprawdzić, czy pracownik serwisu użył części zamiennych zalecanych przez producenta lub też czy części są identyczne jak część oryginalna. Dokonywanie wymiany na niezatwierdzone części grozi wybuchem pożaru, porażeniem prądem elektrycznym lub innymi niebezpieczeństwami.
22. Główne bezpieczniki — aby zabezpieczyć w sposób ciągły urządzenie przed pożarem, należy używać bezpieczników właściwego typu i parametrów. Parametry bezpieczników w danym zakresie napięcia są zaznaczone na urządzeniu.
23. Nie wolno zwiększać głośności przy słuchaniu części utworu o małej głośności lub przy braku wejściowego sygnału audio. W innym wypadku może dojść do uszkodzenia urządzenia przy gwałtownym wzroście natężenia sygnału.
24. Jedynym sposobem całkowitego odłączenia urządzenia od źródła zasilania jest odłączenie kabla zasilania z gniazdka zasilania lub z urządzenia. Gniazdko sieciowe lub wejście kabla zasilania do urządzenia muszą być zawsze dostępne w trakcie używania produktu.
25. Urządzenie powinno się ustawić w pobliżu gniazdka sieciowego lub przedłużacza i w taki sposób, aby zawsze było dostępne.
26. Maksymalna temperatura otoczenia urządzenia wynosi 35°C.
27. Wskazówki dotyczące wyładowań elektrostatycznych — jeśli działanie urządzenia jest zakłócone wyładowaniami elektrostatycznymi, należy go wyłączyć i ponownie włączyć lub przenieść urządzenie w inne miejsce.
28. Bateria
 - a. Baterie nie mogą być narażone na działanie nadmiernego ciepła, jak np. promieni słonecznych, ognia itp.....
 - b. Podczas utylizacji baterii należy zwrócić uwagę na aspekty ochrony środowiska.
 - c. Przestroga dotycząca używania baterii: aby nie dopuścić do rozszczelnienia baterii, które może spowodować obrażenia ciała bądź uszkodzenie urządzenia:
 - Podczas wkładania baterii zwrócić uwagę na jej polaryzację (+ i -).
 - Nie wolno jednocześnie używać różnych baterii — starych i nowych baterii standardowych i alkalicznych itd.....
 - Należy wyjąć baterie z urządzenia, gdy nie będzie ono używane przez dłuższy czas.

Uwaga dotycząca ERP2 (urządzeń związanych z energią)

Niniejsze urządzenie z ekoprojektem spełnia wymagania etapu 2 Rozporządzenia Komisji (WE) nr 1275/2008 wprowadzającego dyrektywę 2009/125/WE dotyczącą poboru energii przez wyłączone i znajdujące się w trybie czuwania urządzenia elektroniczne do zastosowań biurowych i domowych.

Po upływie 60 minut bez wejściowego sygnału audio urządzenie automatycznie przejdzie w tryb czuwania. Informacje na temat przywrócenia normalnego działania można znaleźć w instrukcji obsługi.

Ważne informacje:

Niniejsze urządzenie jest wyposażone w funkcję trybu oszczędzania energii: jeśli w ciągu 60 minut nie jest podawany do niego żaden sygnał wejściowy, urządzenie automatycznie przejdzie w tryb czuwania w celu

oszczędzania energii (norma ERP 2). Należy zauważyć, że ustawienie niskiego poziomu głośności w źródle sygnału audio może zostać rozpoznane jako stan „braku sygnału audio”: może to mieć wpływ na zdolność wykrywania sygnału z urządzenia oraz spowodować automatycznie przejście w tryb czuwania. W takim wypadku należy przywrócić transmisję sygnału audio lub zwiększyć poziom głośności w źródle sygnału audio (odtwarzaczu MP3 itp.) w celu wznowienia odtwarzania. Jeśli problem nie ustąpi, prosimy o kontakt z lokalnym serwisem.

OSTRZEŻENIE

Urządzenie nie powinno być używane przez osoby (w tym dzieci) o obniżonej sprawności fizycznej, sensorycznej lub umysłowej oraz osoby z niewystarczającą wiedzą i doświadczeniem, jeśli nie znajdują się one pod nadzorem osoby odpowiedzialnej za ich bezpieczeństwo i nie zostały poinstruowane jak bezpiecznie używać urządzenia. Obecność osób dorosłych jest wymagana, jeśli urządzenie obsługują dzieci; pozwoli to zapewnić bezpieczne korzystanie z urządzenia.

1. Nie wolno pozostawić pracującego urządzenia bez nadzoru! Należy wyłączać urządzenie, gdy nie jest ono używane, nawet przez krótką chwilę.
2. Urządzenia nie wolno obsługiwać za pośrednictwem zewnętrznego zegara z układem czasowym ani za pomocą oddzielnego układu ze zdalnym sterowaniem.
3. Aby uniknąć zagrożenia w przypadku uszkodzenia przewodu zasilania, wymianę powinien wykonać producent, autoryzowany punkt serwisowy lub inna osoba posiadająca odpowiednie kwalifikacje.
4. Przed przystąpieniem do obsługi urządzenia należy sprawdzić, czy jego napięcie odpowiada napięciu występującemu w lokalnej sieci zasilającej.
5. Nie wolno zakrywać otworów wentylacyjnych urządzenia np. gazetami, obrusem, zasłonami itp. Należy upewnić się, że nad urządzeniem jest co najmniej 20 cm wolnego miejsca, a z każdej jego strony — co najmniej 5 cm.
6. Nie należy dopuszczać do tego, aby na urządzenie kapłała lub wylewała się ciecz, ani nie należy stawiać na nim przedmiotów wypełnionych cieczami, takich jak wazon.
7. Aby uniknąć pożaru lub porażenia prądem elektrycznym, należy chronić urządzenie przed gorącymi miejscami, działaniem deszczu, wilgoci i pyłu.
8. Nie wolno ustawiać urządzenia w pobliżu jakichkolwiek źródeł wody, np. kranów, wanien, pralek lub basenów pływackich. Urządzenie należy ustawić na równym i stabilnym podłożu.
9. Nie wolno narażać urządzenia na silne pole magnetyczne.
10. Nie wolno stawiać urządzenia bezpośrednio na wzmacniaczu lub ampli tunerze.
11. Nie wolno stawiać urządzenia w wilgotnym miejscu, gdyż wilgoć ma szkodliwy wpływ na podzespoły elektryczne.
12. Po wniesieniu urządzenia z zimnego do ciepłego miejsca lub do wilgotnego miejsca może dojść do kondensacji wilgoci na soczewce wewnątrz odtwarzacza. W takiej sytuacji urządzenie nie będzie działać prawidłowo. Należy pozostawić włączone urządzenie na około jedną godzinę, aby umożliwić odparowanie wilgoci.
13. Nie wolno czyścić urządzenia rozpuszczalnikami chemicznymi, gdyż mogą one zniszczyć lakier obudowy. Urządzenie wyciera się czystą, suchą lub nieznacznie zwilżoną ściereczką.
14. Podczas wyciągania wtyczki z gniazdka ściennego należy zawsze ciągnąć za wtyczkę, nigdy za kabel zasilania.
15. Gdy włączone urządzenie jest używane w pobliżu włączonego telewizora, może to być źródłem zakłóceń obrazu w postaci linii na ekranie. Zależy to od pasma fal transmisji TV. Nie oznacza to nieprawidłowego działania urządzenia ani telewizora. Jeśli są widoczne takie linie, należy odsunąć urządzenie od telewizora.
16. Wtyczka sieciowa jest używana do odłączania napięcia zasilającego i powinna być zawsze dostępna.

Deklaracja:



Niniejszym 2N-Everpol Sp. z o.o. oświadcza, że to urządzenie jest zgodne z wymogami i innymi odpowiednimi postanowieniami dyrektywy 2014/53 / UE. Pełną deklarację zgodności można



uzyskać na stronie www.prime3.pl w zakładce produktu.

Jeśli na urządzeniu znajduje się znak przekreślonego kosza na śmieci, oznacza to, że produkt jest objęty postanowieniami dyrektywy europejskiej 12/19/EU. Należy zapoznać się z wymaganiami dotyczącymi lokalnego systemu zbiórki odpadów elektrycznych i elektronicznych. Należy postępować zgodnie z lokalnymi przepisami. Nie wolno wyrzucać tego produktu razem ze zwykłymi odpadami domowymi. Prawidłowe usunięcie starego produktu zapobiegnie potencjalnym negatywnym skutkom dla środowiska naturalnego i zdrowia ludzkiego.



Urządzenie jest wyposażone w baterie objęte dyrektywą europejską 2006/66/EG. Baterii nie wolno wyrzucać razem z odpadami gospodarstwa domowego. Należy zapoznać się z lokalnymi przepisami dotyczącymi oddzielnej zbiórki baterii, ponieważ prawidłowa utylizacja zapobiegnie potencjalnym negatywnym skutkom dla środowiska naturalnego i zdrowia ludzkiego. Produkt został wyprodukowany z wysokiej jakości materiałów i podzespołów, które można poddać recyklingowi i ponownie użyć.



Produkt został wykonany z wysokiej jakości materiałów i podzespołów, które można poddać recyklingowi i ponownie użyć.



Właścicielem znaków towarowych i logo Bluetooth® jest firma Bluetooth SIG, Inc. USA. Użycie tych znaków i logo podlega licencji. Inne znaki i nazwy handlowe należą do odpowiednich właścicieli.

- Funkcja Bluetooth do strumieniowego odtwarzania plików audio.
- Moduł PLL FM z funkcją zapamiętywania 99 stacji.
- Obsługa plików audio MP3/WAV/FLAC.
- Możliwość podłączenia do urządzenia z wejściem AUX.
- Gniazdo USB.

Wykaz elementów sterujących:

1. Przycisk Play/Pause/Bluetooth.
2. Włącznik/wyboru źródła.
3. Przycisk Następny utwór.
4. Przycisk Poprzedni utwór.
5. Przycisk regulacji głośności „-”.
6. Przycisk regulacji głośności „+”.
7. Gniazdo zasilania.
8. Gniazdo USB.
9. Gniazdo AUX IN.
10. Gniazdo słuchawkowe minijack.
11. Antena radiowa.
12. Kabel zasilający.
13. Komora baterii.

Obsługa Bluetooth

Urządzenie posiada funkcję Bluetooth, która pozwala na bezprzewodowe odtwarzanie dźwięku z innych urządzeń posiadających moduł Bluetooth takich jak smartfony, czy tablety.

1. Włącz urządzenie przytrzymując włącznik. Napis „Blue” zacznie szybko migać co oznacza, że urządzenie jest gotowe do sparowania.
2. Włącz funkcję Bluetooth w swoim urządzeniu i wyszukaj dostępne do sparowania urządzenia (postępuj zgodnie z instrukcją obsługi swojego urządzenia).

3. Sprawdź dostępne do sparowania urządzenia na liście w swoim urządzeniu i wybierz "P3_NANO" aby je połączyć. Należy wpisać "0000" (4 zera), jeśli urządzenie poprosi o podanie kodu. Napis „Blue” na wyświetlaczu urządzenia zacznie świecić stale jeśli urządzenia zostaną poprawnie sparowane.
4. Wybierz i włącz odtwarzanie muzyki na swoim urządzeniu Bluetooth. Dźwięk będzie odtwarzany za pomocą urządzenia.
5. Podczas odtwarzania Bluetooth, używaj urządzenia zewnętrznego lub przycisków na urządzeniu w celu regulacji głośności, wyboru odtwarzanego pliku lub do wstrzymania bądź wznowienia odtwarzania.
6. Naciśnij przycisk „Poprzedni utwór”, aby przejść do poprzedniego utworu.
7. Naciśnij przycisk „Następny utwór”, aby przejść do następnego utworu.
8. Naciśnij i przytrzymaj włącznik aby wyłączyć urządzenie.
9. Naciśnij i przytrzymaj przycisk Bluetooth przez 3 sekundy, aby odłączyć bieżące połączenie z urządzeniem Bluetooth, i wyszukać inne dostępne urządzenia.
10. W trybie Bluetooth można korzystać z funkcji EQ, aby zmienić ustawienia EQ należy szybko dwukrotnie nacisnąć przycisk „Play/Pause”.

Uwaga:

- a. Nie można zagwarantować prawidłowego parowania ze wszystkimi urządzeniami Bluetooth ze względu na różne konstrukcje i producentów.
- b. Odległość robocza modułu wynosi 10 metrów (bez przeszkód pomiędzy urządzeniami)
- c. Jeśli boombox nie współpracuje prawidłowo z innym urządzeniem i nie będzie dalej działał, to wyłącz się samoczynnie po około 10 minutach. Należy ponownie włączyć zasilanie urządzenia.

TRYB RADIA FM

1. Przed odtwarzaniem i strojeniem radia FM należy rozłożyć antenę FM. Poprawi to jakość odbieranych stacji.
2. Włącz urządzenie przytrzymując przycisk zasilania. Następnie naciśnij przycisk „Mode”, aby wybrać tryb radia FM.
3. Naciśnij i przytrzymaj przycisk „Play/Pause”, aby wyszukać automatycznie kanały. Naciśnij ponownie przycisk, aby zatrzymać wyszukiwanie.
4. Naciśnij i przytrzymaj przycisk „Następny utwór”, aby przejść do następnej zapisanej stacji.
5. Naciśnij i przytrzymaj przycisk „Poprzedni utwór”, aby przejść do poprzedniej zapisanej stacji.
6. Krótkie naciśnięcie przycisku „Następny utwór” powoduje automatyczne skanowanie i odtworzenie następnej dostępnej stacji.
7. Krótkie naciśnięcie przycisku „Poprzedni utwór” powoduje automatyczne skanowanie i odtworzenie poprzedniej dostępnej stacji.
8. W trybie radia FM można nacisnąć przycisk „Mode”, aby zakończyć ten tryb pracy i zmienić na inny.
9. Naciśnij i przytrzymaj włącznik aby wyłączyć urządzenie.

OBSŁUGA AUX IN

Używając przewodu w tytkami minijack podłącz jedną wtyczkę do gniazda Aux na przednim panelu urządzenia a drugą do wyjścia "line out" lub wyjścia słuchawkowego w zewnętrznym przenośnym odtwarzaczu MP3 lub innym urządzeniu. Włącz urządzenie i naciśnij przycisk "Mode" aby wybrać tryb AUX; wybierz i odtwórz muzykę w zewnętrznym odtwarzaczu, następnie dźwięk zostanie odtworzony za pomocą urządzenia.

Uwaga:

- a. W trybie AUX IN sterowanie odbywa się za pomocą urządzenia zewnętrznego.

USB

- Podłącz pamięć masową USB do przedniego panelu urządzenia.

- Naciśnij przycisk „Poprzedni utwór”, aby powrócić do poprzedniego utworu. Naciśnij i przytrzymaj aby przejść do poprzedniego folderu.
- Naciśnij przycisk „Następny utwór” aby przejść do następnego utworu. Naciśnij i przytrzymaj aby przejść do następnego folderu. Bajki mariackie
- W trybie USB można korzystać z funkcji EQ, aby zmienić ustawienia EQ należy szybko dwukrotnie nacisnąć przycisk „Play/Pause”.

Należy upewnić się, że system plików pamięci USB jest w formacie FAT16 lub FAT32, a zapisane pliki muzyczne mają format MP3/WAV/FLAC (nie gwarantujemy, że wszystkie pliki tego typu będą odtwarzane prawidłowo ze względu na różne specyfikacje plików).

Ważne informacje: Maksymalna, obsługiwana pojemność podłączonego urządzenia USB wynosi 64 GB. Nie zaleca się używania kabla przedłużającego USB, ponieważ ma to wpływ na jakość sygnału audio. Nie gwarantuje się, że wszystkie urządzenia USB będą obsługiwane ze względu na różne konstrukcje i producentów.

Rozwiązywanie problemów

1. Urządzenie nie może się włączyć.
 - a. Należy sprawdzić czy urządzenie jest podłączone do zasilania lub czy ma baterie.
 - b. Należy skontaktować się z serwisem jeśli problem się powtarza.
2. Brak dźwięku w trybie Bluetooth
 - a. Należy wyłączyć Bluetooth i wykonać parowanie ponownie.
3. Brak dostępnych stacji FM lub szumy podczas odbioru.
 - a. Należy rozłożyć antenę i wykonać ponowne skanowanie dostępnych stacji FM.
 - b. Należy przełączyć na następną stację FM.
 - c. Należy przestawić urządzenie bliżej okna w celu uzyskania lepszego odbioru.

Specyfikacja

- Audio streaming via Bluetooth
- FM Radio with 99 memory presets
- USB port-MP3/WAV/FLAC playback
- AUX IN
- Częstotliwość FM: 87.5~108.0MHz
- Częstotliwość BT: 2402MHz-2480MHz
- 3.5 mm headphones socket
- Power supply: 220-240V ~50/60 Hz
- Battery power supply: UM-1 x 4 pcs
- Accessories: 1 x power cord
- Dimensions: 265x215x135 mm
- Weight: 1,1 kg



2N-Everpol Sp. z o.o.
ul. Puławska 403A
02-801 Warsaw, Poland
phone: +48 22 331 99 59
e-mail: info@prime3.pl
www.prime3.pl

W przypadku pytań lub problemów
prosimy o kontakt z naszym serwisem.

In case of questions or problems

please contact our service.

Tel. 00 48 22 331 99 54

E-mail: info@prime3.pl

Wszelkie prawa zastrzeżone. Wszystkie nazwy marek są zarejestrowanymi
znakami towarowymi należącymi do odpowiednich podmiotów.

Dane i parametry techniczne mogą ulec zmianie bez wcześniejszego uprzedzenia.

All rights reserved. All brand names are registered trademarks of their
respective owners. Specifications are subject to change without prior notice.